



BY JOHNSON CONTROLS

Form 070.250-SPL1 (MAY 2011)

**SERVICE PARTS LIST**

File: SERVICE MANUAL - Section 70

Replaces: 070.250-SPL (FEB 2011)

Dist: 3, 3a, 3b, 3c

**Service Parts List**

# **TDSH / GDSH / TDSB**

## **ROTARY SCREW COMPRESSORS**

**MODELS: 163 through 355**



### HOW TO USE SERVICE PARTS LIST

This Service Parts List is for standard Frick® TDSH/TDSB Rotary Screw Compressors, Models 163 through 355. Compressors built with special options, modifications, or conversions are not taken into consideration.

This Service Parts List provides identification for detail parts by Figure and Index Number, Item Number and Description. To determine correct replacement, locate item on Figure 1, 2, etc., note index number, refer to corresponding index number in parts list for item number and description. Quantity per assembly is located in QTY. column. Unit of measure is always "each" unless specified otherwise in Quantity column. When Ref. is in QTY. column, this means that the Item Number is for reference only and is not necessarily a service replacement part. Contact Baltimore Parts Center for more information. REV. (Revision) column tells the level of the engineering drawing used here.

The Numerical Parts List can be used to locate a specific item in the Service Parts List. Look for the part by Frick Item Number and it will refer you to the Figure and Index Number where it is located.

Abbreviations found in this manual include:

A/R.....As Required

N/A..... Not Available

Note: Please provide Frick® order number, model number, and serial number when requesting a quotation or placing an order. Failure to include this information may delay processing of your request. Model and serial number plate is found on the rotor casing assembly.

### TABLE OF CONTENTS

HOW TO USE SERVICE PARTS LIST.....	2
RECOMMENDED SPARE PARTS - CURRENT DESIGN.....	3
Figure 1a. Screw Compressor, TDSH 163.....	4
Figure 1b. Screw Compressor, TDSH 163.....	5
Figure 2. Slide Valve/Stop Assembly, TDSH 163.....	8
Figure 3. Slide Valve/Stop Assembly, Handwheel, TDSH 163.....	10
Figure 4a. Screw Compressor, TDSH 193.....	12
Figure 4b. Screw Compressor, TDSH 193.....	13
Figure 5. Slide Valve/Stop Assembly, TDSH 193.....	16
Figure 6. Slide Valve/Stop Assembly, Handwheel, TDSH 193.....	18
Figure 7a. Screw Compressor, TDSH 233.....	20
Figure 7b. Screw Compressor, TDSH 233.....	21
Figure 8. Slide Valve/Stop, TDSH 233.....	24
Figure 9. Slide Valve/Stop, Handwheel, TDSH 233.....	26
Figure 10a. Screw Compressor, TDSH 283.....	28
Figure 10b. Screw Compressor, TDSH 283.....	29
Figure 11. Slide Valve/Stop Assembly, TDSH 283.....	32
Figure 12. Slide Valve/Stop Assembly, Handwheel, TDSH 283.....	34
Figure 13a. Screw Compressor, TDSH 355.....	36
Figure 13b. Screw Compressor, TDSH 355.....	37
Figure 14a. Screw Compressor, TDSB 355.....	40
Figure 14b. Screw Compressor, TDSB 355.....	41
Figure 15. Slide Valve/Stop Assembly, TDSH/TDSB 355.....	44
Figure 16. Slide Valve/Stop Assembly, Handwheel, TDSH 355.....	46
Figure 17. Slide Stop Indication Assembly, Potentiometer, TDSH 163-355 Models.....	48
FRICK COMPRESSOR OILS.....	49
FRICK BLUE PAINT.....	49
Figure 18. 163 / 193 Compressor Port Locations.....	50
Figure 19. 233 Compressor Port Locations.....	51
Figure 20. 283 Compressor Port Locations.....	52
Figure 21. 355 Compressor Port Locations.....	53
NUMERICAL PARTS LIST.....	55
STRAIGHT ADAPTERS / O-RINGS - STRAIGHT THREAD TO NPTF.....	60
90° ELBOW ADAPTERS / O-RINGS - STRAIGHT THREAD TO TUBE.....	60

**RECOMMENDED SPARE PARTS - CURRENT DESIGN**

DESCRIPTION	163 TDSH <sup>(7)</sup>	193 TDSH <sup>(7)</sup>	233 TDSH <sup>(7)</sup>	283 TDSH <sup>(7)</sup>
◆ Thrust Bearing Kit <sup>(1)</sup>	111Q0042682	111Q0042683	111Q0042684	534M0269G01
▲ Complete Bearing Kit	534M0556G01	534M0556G02	534M0556G03	534M0556G04
■ O-ring and Gasket Kit	535M0054G01	535M0055G01	535M0057G01	535M0059G01
● Shaft Seal Kit <sup>(3)</sup>	534M0163G01	534M0163G02	534M0163G03	534M0163G04
★ Balance Piston Kit <sup>(5)</sup>	534M0557G01	534M0557G02	534M0557G03	534M0557G04
Slide Valve Potentiometer Kit <sup>(4)</sup>	534D0523G02	534D0523G02	534D0523G02	534D0523G02
Slide Stop Potentiometer Kit	111Q0041148	111Q0041148	111Q0041148	111Q0041148
Compressor Tool Kit <sup>(2)</sup>	534A0122G01	534A0123G01	534A0124G01	534A0125G01
Lip Seal Kit <sup>(3)</sup>	–	–	–	–

DESCRIPTION	355 TDSH	355 TDSB
◆ Thrust Bearing Kit <sup>(1)</sup>	534M0027G02	<sup>(6)</sup>
▲ Complete Bearing Kit	534A0919G01	534A0920G01
■ O-ring and Gasket Kit	534M0027G03	534M0027G03
● Shaft Seal Kit <sup>(3)</sup>	534M0163G05	534M0163G05
★ Balance Piston Kit	534M0557G05	534M0557G05
Slide Valve Potentiometer Kit <sup>(4)</sup>	534D0523G02	534D0523G02
Slide Stop Potentiometer Kit	111Q0041148	111Q0041148
Compressor Tool Kit <sup>(2)</sup>	534A0213G01	534A0213G01
* Lip Seal Kit <sup>(3)</sup>	534M0280G01	534M0280G01

Note: When stocking the above, the quantity should be adjusted to meet your individual requirements.

Note: Symbols shown in description above will identify items in kit throughout this manual.

- (1) Current 283 TDSH Thrust Bearing Kit items are included in Complete Bearing Kit. See page 31 for serial number breaks regarding current and original kit.
- (2) Master Tool Kit 534A0121G01 services all models 163 through 283.
- (3) For TDSH283 the Lip Seal Kit items are included in Shaft Seal Kit. For 355 models made prior to lip seal installation (2 January 1994), use Lip Seal Retrofit Kit 534D0768G01, if updating is desired.
- (4) Can be used when replacing Maury Potentiometer on units shipped prior to 7/90.
- (5) See page 31 for 283 serial number breaks regarding current and original kit.
- (6) No kit. Order two of 534B0101H28 Bearing.
- (7) Parts for GDSH compressors are the same as TDSH 163-283 with the exception of the rotor housing. The GDSH has a class 300 suction flange.

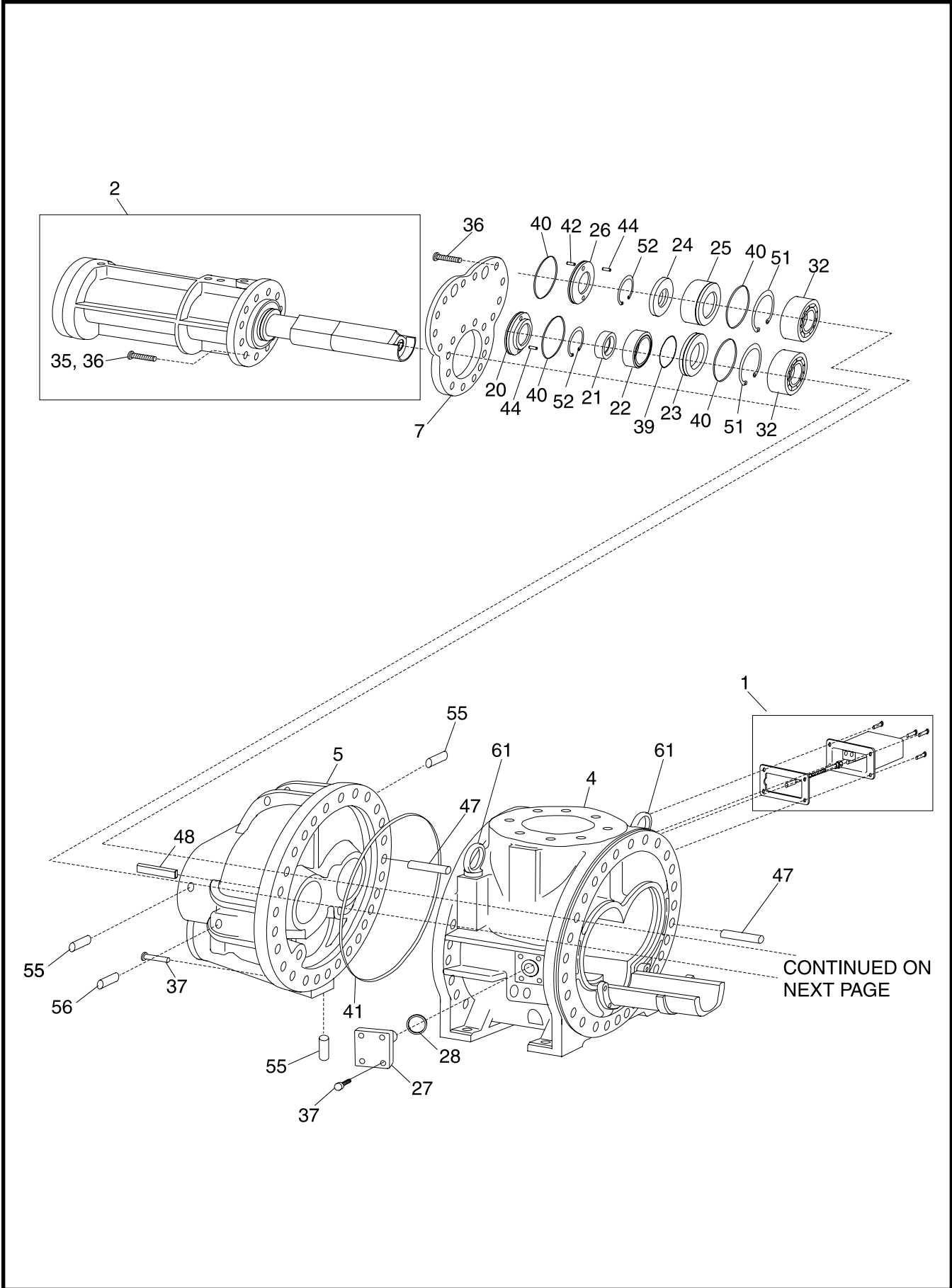


Figure 1a. Screw Compressor, TDSH 163.

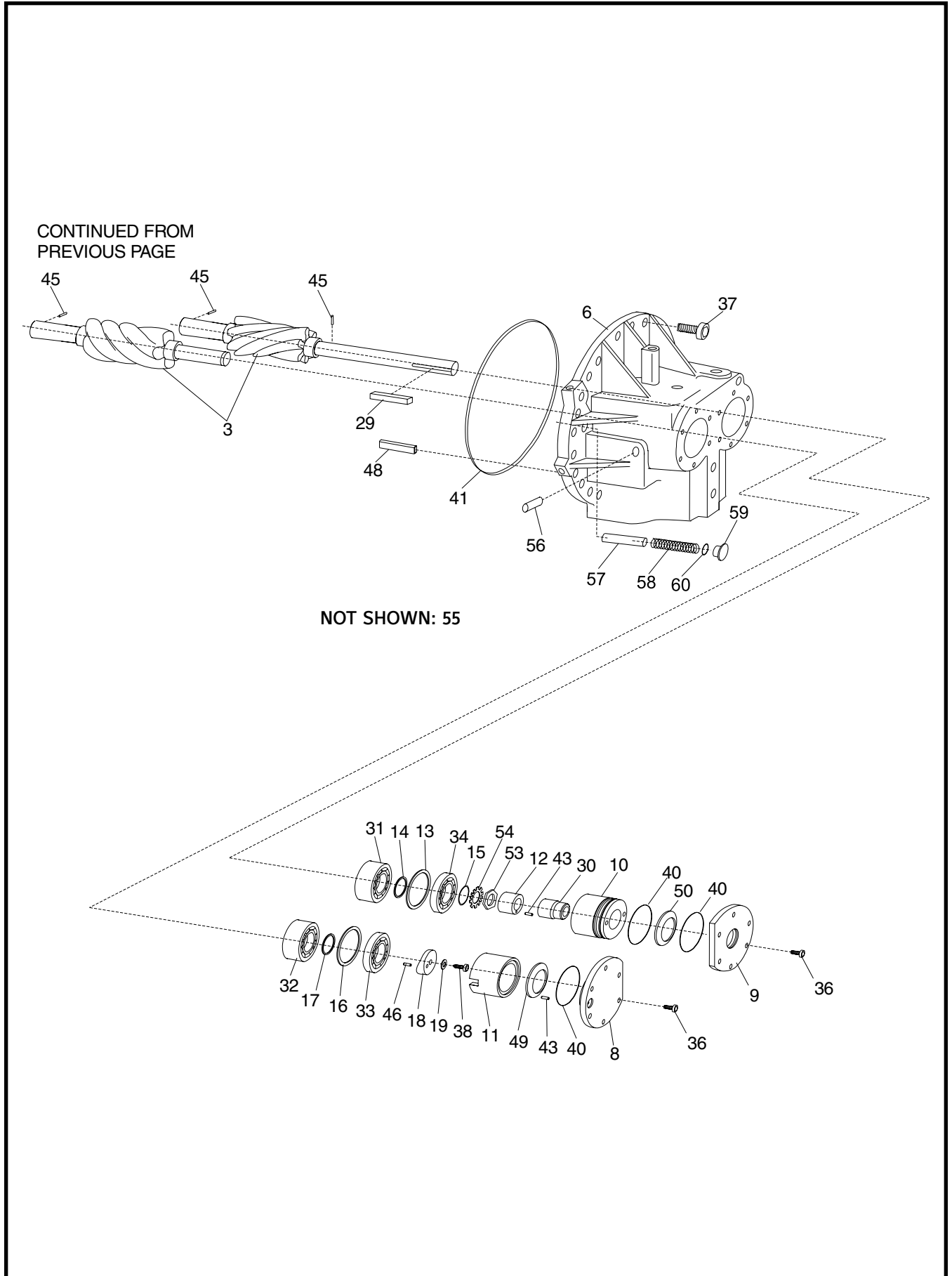


Figure 1b. Screw Compressor, TDSH 163.

FIG. & INDEX	ITEM NUMBER	DESCRIPTION	QTY.	REV.
1-	534E0168G01	TDSH 163S, Screw Compressor, New	Ref.	AA
	534E0168G02	TDSH 163L, Screw Compressor, New	Ref.	AA
	534E0168S01	TDSH 163S, Screw Compressor, Rebuilt	Ref.	
	534E0168S02	TDSH 163L, Screw Compressor, Rebuilt	Ref.	
	534E0514G01	TDSH 163S, Screw Compressor, Handwheel, New	Ref.	K
	534E0514G02	TDSH 163L, Screw Compressor, Handwheel, New	Ref.	K
-1	-	Slide Stop Indication Assembly (See Figure 17)	Ref.	
-2	-	Slide Valve/Stop Assembly (See Figures 2 & 3)	Ref.	
-3	534A0082G02	Rotor Pair, TDSH 163S	1	
	534A0083G02	Rotor Pair, TDSH 163L	1	
-4	534D0133G01	Assembly, Casing, Rotor, TDSH 163S	1	
	534C0194H01	Plug, Pipe, 1/4-18 NPTF w/.201" Orifice	1	
	534D0133G02	Assembly, Casing, Rotor, TDSH 163L	1	
	534C0194H02	Plug, Pipe, 1/4-18 NPTF w/.218" Orifice	1	
-5	534E0026C01	Casing, Inlet	1	
-6	534E0404C01	Casing, Discharge	1	
-7	534D0051C01	Cover, Inlet	1	
-8	534C0076C01	Cover, Outlet	1	
-9	534C0155C01	Housing, Seal	1	
-10	534C0154C01	Spacer, Seal Housing	1	
-11	534C0150C01	Sleeve, Distance	1	
-12	534B0034H01	Ring, Seal Distance	1	
-13	534C0162H01	Plate, Male Bearing Backup ▲ ◆	1	
-14	534B0097H01	Washer, Male Adjusting ▲ ◆	1	
-15	534B0095H01	Spacer, Bearing	1	
-16	534C0629H01	Plate, Female Bearing Backup ▲ ◆	1	
-17	534B0290H01	Washer, Female Bearing Adjusting ▲ ◆	1	
-18	534B0100H01	Plate, Bearing	1	
-19	534B0103H01	Washer	1	
-20	534C0075C01	Cover, Female Inlet Bore, original <sup>(3)</sup>	1	
	534D0496C01	Cover, Female Inlet Bore, current <sup>(3)</sup>	1	
-21	534B0043H01	Piston, Female Balance <sup>(3)</sup> ★	1	
-22	534B0046C01	Sleeve, Female Balance Piston <sup>(3)</sup> ★	1	
-23	534B0040H01	Ring, Female <sup>(3)</sup> ★	1	
-24	534C0281H01	Piston, Male Balance ★	1	
-25	534C0282C01	Sleeve, Male Balance Piston ★	1	
-26	534C0283C01	Cover, Male Inlet Bore	1	
-27	534B1045H01	Flange, Male Blank, Machined, 1-1/4"	1	
-28	959A0057H04	Gasket, Flange ■	1	
-29	534A0662H01	Key, Square	1	
-30	534C0701H01	Assembly, Shaft Seal, Rotating Seat ●	1	
-31	534B0004H08	Bearing, Roller ▲	1	
-32	534B0004H09	Bearing, Roller ▲	3	
-33	534B0101H25	Bearing, Ball, Four Point Contact ▲ ◆	1	
-34	534B0101H19	Bearing, Ball, Four Point Contact ▲ ◆	1	
-35	111Q0740738	Capscrew, Socket Head, M12 x 90mm	8	
-36	111Q0740739	Capscrew, Socket Head, M12 x 45mm	23	
-37	111Q0740743	Capscrew, Socket Head, M16 x 55mm	44	
	111Q0740742	Capscrew, Socket Head, M16 x 80mm	8	
-38	534A0076H01	Capscrew, Socket Head, 3/4-10 x 2" ▲ ◆	1	
-39	980A0012B61	O-ring ■ ★	1	
-40	980A0012B76	O-ring ■ ● ★ ◆	7	
-41	980A0012H92	O-ring ■	2	
-42	534A0038H02	Pin, Spring, .187 x .625" ★	1	

FIG. & INDEX	ITEM NUMBER	DESCRIPTION	QTY.	REV.
-43	534A0038H05	Pin, Spring, .125 x .500" ● ▲ ◆	2	
-44	534A0037H02	Pin, Dowel, 5 x 12mm <sup>(3)</sup> ★	1-2	
-45	534A0037H12	Pin, Dowel, 5 x 10mm <sup>(3)</sup> ★	2-3	
-46	534A0037H13	Pin, Dowel, 5 x 24mm ◆ ▲	1	
-47	534B0149H01	Pin, Dowel, 20 x 70mm	2	
-48	534B0151H01	Pin, Dowel, 20 x 70mm, Special	2	
-49	534B0102H01	Washer, Spring	1	
-50	534B0102H02	Washer, Spring ●	1	
-51	534B0014H09	Ring, Retaining ▲	2	
-52	534B0014H10	Ring, Retaining ★	1-2	
-53	534A0035H04	Locknut	1	
-54	534B0125H03	Lockwasher ◆ ▲	1	
-55	944A0008H03	Plug, Pipe, 3/8-18 NPTF	5	
-56	944A0008H05	Plug, Pipe, 3/4-14 NPTF	2	
-57	534A0446H01	Plug, Economizer	1	
-58	534A0219H01	Spring	1	
-59	944A0228H10	Plug, O-ring, 1-5/16-12 UNF, Straight Thread	1	
-60	980A0012K69	O-ring ■	1	
-61	901A0196H07	Ring, Lifting	2	
		<b>Recommended Spare Parts/Service Parts Kits</b>		
	534M0556G01	▲ Complete Bearing Kit	1	
	111Q0042682	◆ Thrust Bearing Kit <sup>(1)</sup>	1	
	535M0054G01	■ O-ring and Gasket Kit <sup>(2)</sup>	1	
	534M0163G01	● Shaft Seal Kit	1	
	534M0557G01	★ Balance Piston Kit	1	
	534A0122G01	Compressor Tool Kit (For Disassembly/Assembly)	1	
		(1) Thrust Bearing Kit items are included in Complete Bearing Kit.		
		(2) O-ring and Gasket Kit also contains appropriate suction and discharge gaskets.		
		(3) Female balance piston, -sleeve and -ring are deleted beginning with s.n. 1614A and 1926B. Exceptions are 1609A, 1611A, 1613A, and 1925B. Female inlet bore cover changed at the same time. Balance Piston Kit will continue to include these items (except cover) for universal field service. O-ring Kits are unaffected. Factory recommends you maintain unit with Female Balance Piston and related parts intact.		

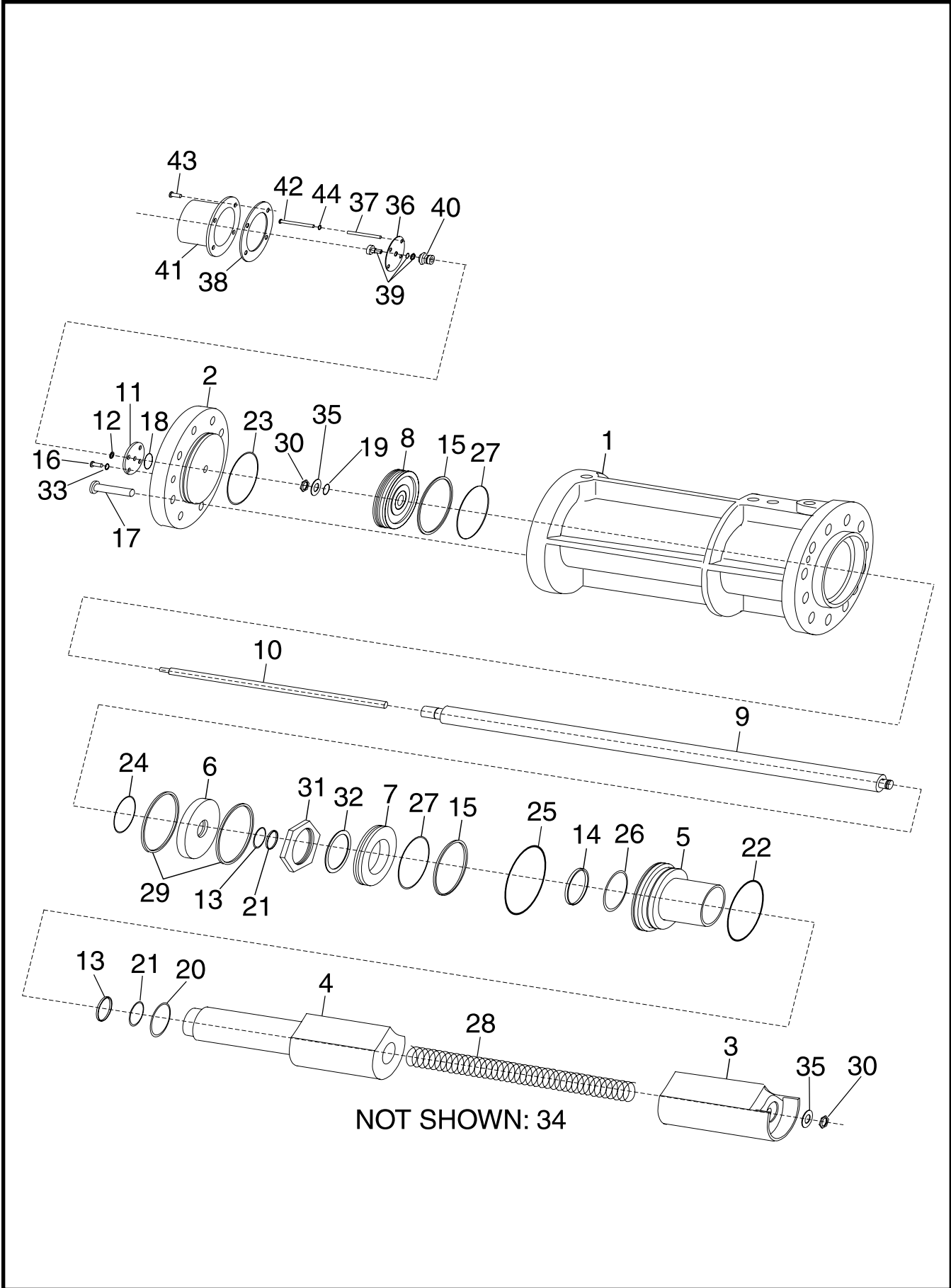


Figure 2. Slide Valve/Stop Assembly, TDSH 163.

FIG. & INDEX	ITEM NUMBER	DESCRIPTION	QTY.	REV.
2-	534E0168	TDSH 163 Slide Valve/Stop Assembly	Ref.	AA
-1	534D0052C01	Cylinder	1	
-2	534D0190C01	Cover, Cylinder	1	
-3	534D0056C01	Valve, Slide, TDSH 163S	1	
	534D0054C01	Valve, Slide, TDSH 163L	1	
-4	534C0080C01	Stop, Slide, TDSH 163S	1	
	534C0079C01	Stop, Slide, TDSH 163L	1	
-5	534C0077C01	Cover, Slide Stop	1	
-6	534B0045C01	Cover, Internal Cylinder	1	
-7	534B0041C01	Piston, Slide Stop	1	
-8	534B0042C01	Piston, Spindle	1	
-9	534D0464G01	Assembly, Spindle, TDSH 163S	1	
	534D0464G02	Assembly, Spindle, TDSH 163L	1	
-10	534C0186H01	Shaft, Potentiometer, TDSH 163S	1	
	534C0186H02	Shaft, Potentiometer, TDSH 163L	1	
-11	534C0072H03	Plate, Backing	1	
-12	534B0182H01	Collar, Clamp	1	
-13	534B0006H01	Seal, Rod ■	2	
-14	534B0006H03	Seal, Rod ■	1	
-15	534C0187H01	Ring, Glyd ■	2	
-16	111Q0740730	Capscrew, Socket Head, M4 x 12mm	4	
-17	111Q0740723	Capscrew, Socket Head, M12 x 55mm	8	
-18	980A0014B30	O-ring ■	1	
-19	980A0012A70	O-ring ■	1	
-20	980A0012A98	O-ring ■	1	
-21	980A0012B52	O-ring ■	2	
-22	980A0012B75	O-ring ■	1	
-23	980A0012B83	O-ring ■	1	
-24	980A0012B84	O-ring ■	1	
-25	980A0012B90	O-ring ■	1	
-26	980A0012H49	O-ring ■	1	
-27	980A0012K05	O-ring ■	2	
-28	534B0036H01	Spring, Unloader, TDSH 163S	1	
	534B0038H01	Spring, Unloader, TDSH 163L	1	
-29	534B0014H08	Ring, Retaining ■	2	
-30	534B0910H01	Locknut ■	2	
-31	534A0035H02	Locknut	1	
-32	534B0125H02	Lockwasher ■	1	
-33	111Q0940128	Lockwasher	4	
-34	944A0008H03	Pipe Plug, 3/8-18 NPTF	8	
-35	534B0125H01	Lockwasher ■	2	
	534D0523G01	Slide Valve Indication Mechanism	Ref.	
-36	534B0294H01	Plate, Mounting*	1	
-37	534A0263H01	Support, Tubing*	4	
-38	534A0046H01	Gasket* ■	1	
-39	534B0501H01	Potentiometer*	1	
-40	111Q0451313	Coupling, Flexible*	1	
-41	534B0062C01	Box, Cover	1	
-42	111Q0740729	Capscrew, Socket Head, M5 x 60mm	4	
-43	111Q0740728	Capscrew, Socket Head, M6 x 16mm	4	
-44	905A0021H08	Lockwasher, 5mm	4	
*	534D0523G02	Slide Valve Potentiometer Kit (also replaces Maury potentiometer)	1	

■ Item included in O-ring and Gasket Kit. See page 7.

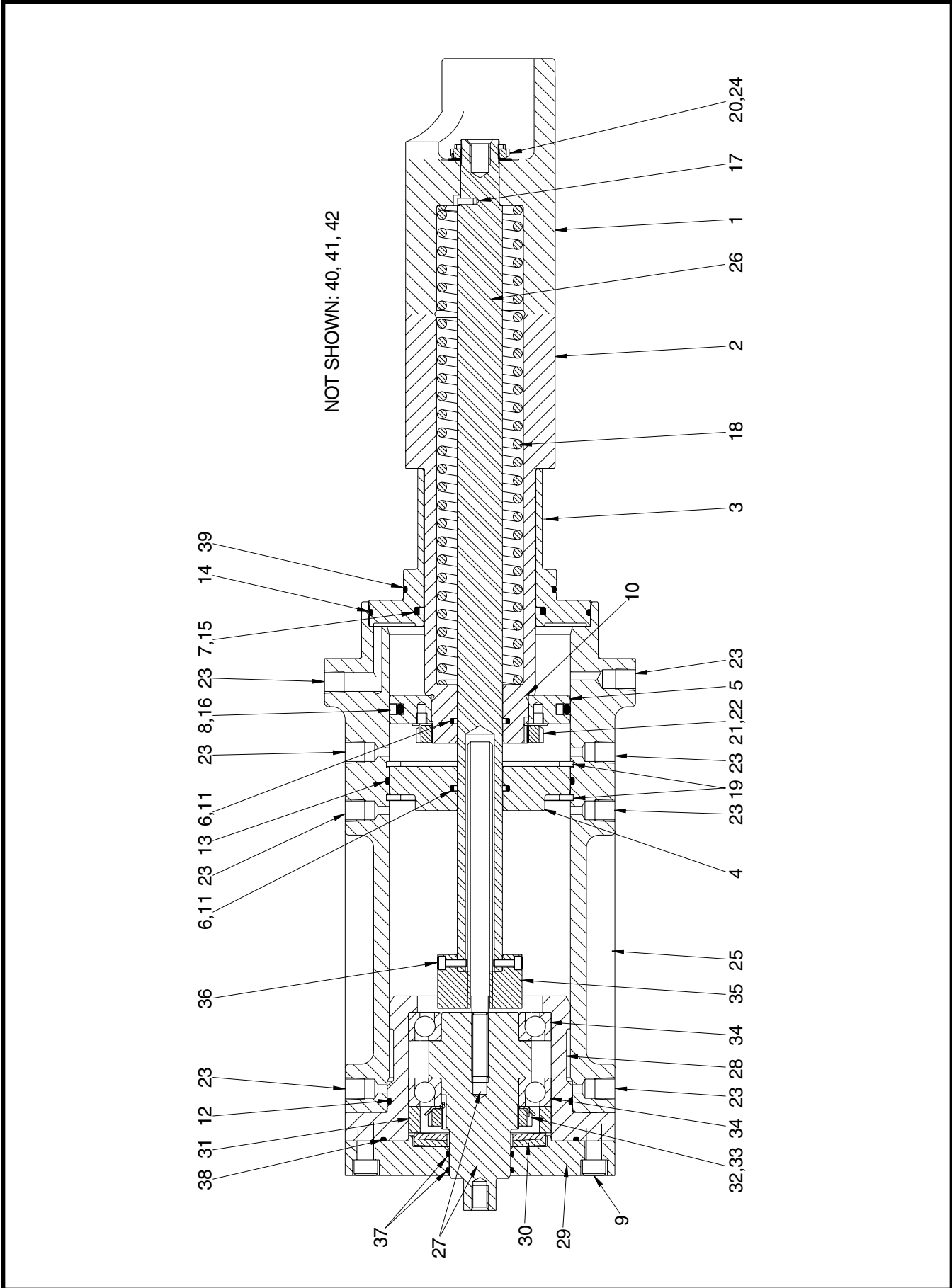


Figure 3. Slide Valve/Stop Assembly, Handwheel, TDSH 163.

FIG. & INDEX	ITEM NUMBER	DESCRIPTION	QTY.	REV.
3-	534E0514	TDSH 163 Slide Valve/Stop Assembly, Handwheel	Ref.	K
-1	534D0056C01	Valve, Slide, TDSH 163S	1	
	534D0054C01	Valve, Slide, TDSH 163L	1	
-2	534C0080C01	Stop, Slide, TDSH 163S	1	
	534C0079C01	Stop, Slide, TDSH 163L	1	
-3	534C0077C01	Cover, Slide Stop	1	
-4	534B0045C01	Cover, Internal Cylinder	1	
-5	534B0041C01	Piston, Slide Stop	1	
-6	534B0006H01	Seal, Rod ■	2	
-7	534B0006H03	Seal, Rod ■	1	
-8	534C0187H01	Ring, Glyd, TDSH 163S ■	1	
	534C0187H01	Ring, Glyd, TDSH 163L ■	2	
-9	111Q0740723	Capscrew, Socket Head, M12 x 55mm	8	
-10	980A0012A98	O-ring ■	1	
-11	980A0012B52	O-ring ■	2	
-12	980A0012B83	O-ring ■	1	
-13	980A0012B84	O-ring ■	1	
-14	980A0012B90	O-ring ■	1	
-15	980A0012H49	O-ring ■	1	
-16	980A0012K05	O-ring ■	1	
-17	534A0037H02	Pin, Dowel	1	
-18	534B0036H01	Spring, Unloader, TDSH 163S	1	
	534B0038H01	Spring, Unloader, TDSH 163L	1	
-19	534B0014H08	Ring, Retaining ■	2	
-20	534B0910H01	Locknut ■	1	
-21	534A0035H02	Locknut	1	
-22	534B0125H02	Lockwasher ■	1	
-23	944A0008H03	Pipe Plug	8	
-24	534B0125H01	Lockwasher	1	
-25	534D0902C01	Cylinder	1	
-26	534C1054H01	Spindle, TDSH 163S	1	
	534C1082H01	Spindle, TDSH 163L	1	
-27	534C1142G01	Assembly, Shaft	1	
-28	534D1008C01	Housing, Bearing	1	
-29	534D1009H01	Cover, Cylinder	1	
-30	534A0518H01	Washer, Spring, TDSH 163S	2	
	534A0518H01	Washer, Spring, TDSH 163L	1	
-31	534B0567H01	Spacer	1	
-32	534A0519H01	Locknut	1	
-33	534A0520H01	Lockwasher ■	1	
-34	534C1170H04	Bearing, Ball, Angular Contact	2	
-35	534B0512H01	Nut, Spindle	1	
-36	534A0541H01	Capscrew. Socket Head, M6 x 16mm	8	
-37	333Q0000800	O-ring ■	2	
-38	980A0012B86	O-ring ■	1	
-39	980A0012B75	O-ring ■	1	
		Not Shown:		
-40	581B0001H06	Wheel, Hand	1	
-41	581A0011H03	Washer, Spring	1	
-42	901A0045D01	Capscrew, Hex Head, 1/2-13 UNC x 3/4"	1	

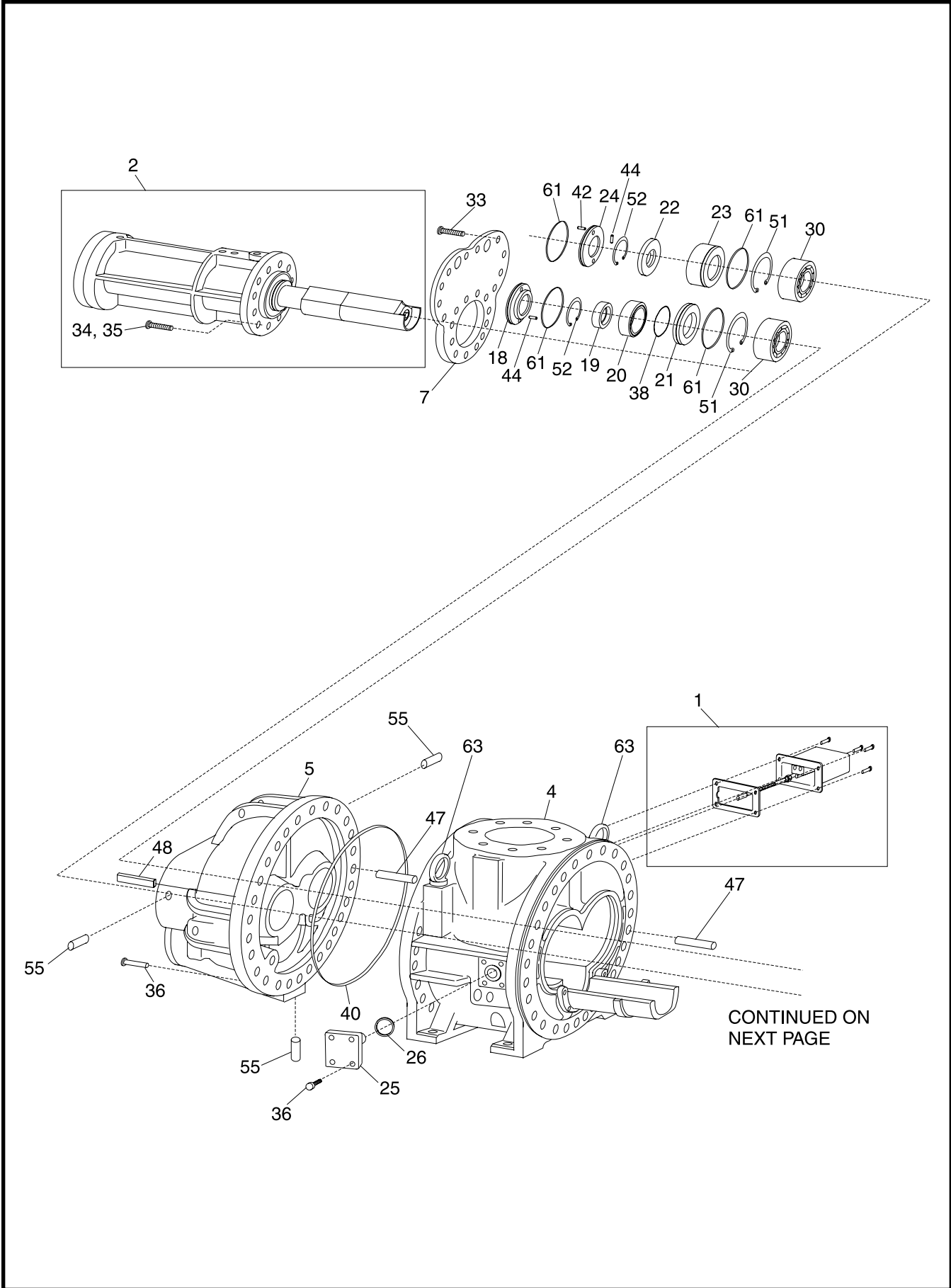


Figure 4a. Screw Compressor, TDSH 193.



FIG. & INDEX	ITEM NUMBER	DESCRIPTION	QTY.	REV.
4-	534E0169G01	TDSH 193S, Screw Compressor, New	Ref.	AB
	534E0169G02	TDSH 193L, Screw Compressor, New	Ref.	AB
	534E0169S01	TDSH 193S, Screw Compressor, Rebuilt	Ref.	
	534E0169S02	TDSH 193L, Screw Compressor, Rebuilt	Ref.	
	534E0502G01	TDSH 193S, Screw Compressor, Handwheel, New	Ref.	M
	534E0502G02	TDSH 193L, Screw Compressor, Handwheel, New	Ref.	M
-1	-	Slide Stop Indication Assembly (See Figure 17)	Ref.	
-2	-	Slide Valve/Stop Assembly (See Figure 5 & 6)	Ref.	
-3	534A0073G02	Rotor Pair, TDSH 193S	1	
	534A0074G02	Rotor Pair, TDSH 193L	1	
-4	534D0134G01	Assembly, Casing, Rotor, TDSH 193S	1	
	534C0194H11	Plug, Pipe, 3/8-18 NPTF w/.257" Orifice	1	
	534D0134G02	Assembly, Casing, Rotor, TDSH 193L	1	
	534C0194H12	Plug, Pipe, 3/8-18 NPTF w/.277" Orifice	1	
-5	534E0023C01	Casing, Inlet	1	
-6	534E0405C01	Casing, Discharge	1	
-7	534D0048C01	Cover, Inlet	1	
-8	534C0138C01	Housing, Seal	1	
-9	534D0121C01	Spacer, Seal Housing	1	
-10	534D0483C01	Sleeve, Distance	1	
-11	534B0024H01	Ring, Seal Distance	1	
-12	534C0175H01	Plate, Male Bearing Backup ▲ ◆	1	
-13	534B0090H01	Washer, Male Adjusting (not needed if not installed) ▲ ◆	2	
-14	534C0176H01	Plate, Female Bearing Backup ▲ ◆	1	
-15	534B0093H01	Washer, Female Adjusting ▲ ◆	1	
-16	534B0091H01	Plate, Bearing	1	
-17	534B0103H01	Washer	1	
-18	534C0056C01	Cover, Female Inlet Bore	1	
-19	534C0058H01	Piston, Female Balance ★	1	
-20	534C0064C01	Sleeve, Female Balance Piston ★	1	
-21	534C0059H01	Ring, Female ★	1	
-22	534C0270H01	Piston, Male Balance ★	1	
-23	534C0269C01	Sleeve, Male Balance Piston ★	1	
-24	534C0268C01	Cover, Male Inlet Bore	1	
-25	534B0990H01	Flange, Male Blank, Machined, 1-1/2"	1	
-26	959A0057H05	Gasket, Flange ■	1	
-27	534A0662H02	Key, Square	1	
-28	534C0701H02	Assembly, Shaft Seal, Rotating Seat ●	1	
-29	534B0004H06	Bearing, Roller ▲	1	
-30	534B0004H07	Bearing, Roller ▲	3	
-31	534B0101H19	Bearing, Ball, Four Point Contact ▲ ◆	1	
-32	534B0101H20	Bearing, Ball, Four Point Contact ▲ ◆	1	
-33	111Q0740723	Capscrew, Socket Head, M12 x 55mm	15	
-34	111Q0740722	Capscrew, Socket Head, M12 x 100mm	8	
-35	111Q0740739	Capscrew, Socket Head, M 12 x 45mm	9	
-36	111Q0740743	Capscrew, Socket Head, M16 x 55mm	44	
	111Q0740742	Capscrew, Socket Head, M16 x 80mm	8	
-37	534A0076H01	Capscrew, Socket Head, 3/4-10 UNC x 2" ▲ ◆	1	
-38	980A0012B65	O-ring ■ ★	1	
-39	980A0012B84	O-ring ■ ● ◆	3	
-40	980A0012K43	O-ring ■	2	
-41	534A0038H01	Pin, Spring, .187 x .500" ●	1	

FIG. & INDEX	ITEM NUMBER	DESCRIPTION	QTY.	REV.
-42	534A0038H02	Pin, Spring, .187 x .625" ★	1	
-43	534A0038H05	Pin, Spring, .125 x .500" ▲ ◆	1	
-44	534A0037H03	Pin, Dowel, 5 x 16mm ★	2	
-45	534A0037H12	Pin, Dowel, 5 x 1 Omm ● ★	3	
-46	534A0037H14	Pin, Dowel, 10 x 24mm ▲ ◆	1	
-47	534B0149H01	Pin, Dowel, 20 x 70mm	2	
-48	534B0151H01	Pin, Dowel, 20 x 70mm, Special	2	
-49	534B0102H04	Washer, Spring	1	
-50	534B0102H05	Washer, Spring	1	
-51	534B0014H08	Ring, Retaining ▲	2	
-52	534B0014H11	Ring, Retaining ★	2	
-53	534A0035H03	Locknut	1	
-54	534B0125H04	Lockwasher ▲ ◆	1	
-55	944A0008H03	Plug, Pipe, 3/8-18 NPTF	3	
-56	944A0008H05	Plug, Pipe, 3/4-14 NPTF	11	
-57	534B0453H01	Plug, Economizer	1	
-58	534A0219H01	Spring	1	
-59	944A0228H11	Plug, Hex, Straight Thread, 1-5/8-12 UNF	1	
-60	980A0012K71	O-ring ■	1	
-61	980A0012B83	O-ring ■ ★	4	
-62	534C0068C01	Cover, Outlet	1	
-63	901A0196H07	Ring, Lifting	2	
		<b>Recommended Spare Parts/Service Parts Kits</b>		
	534M0556G02	▲ Complete Bearing Kit	1	
	111Q0042683	◆ Thrust Bearing Kit <sup>(1)</sup>	1	
	535M0055G01	■ O-ring and Gasket Kit <sup>(2)</sup>	1	
	534M0163G02	● Shaft Seal Kit	1	
	534M0557G02	★ Balance Piston Kit	1	
	534A0123G01	Compressor Tool Kit (For Disassembly/Assembly)	1	
		(1) Thrust Bearing Kit items are included in Complete Bearing Kit.		
		(2) O-ring and Gasket Kit also contains appropriate suction and discharge gaskets. O-ring Kit only: 534B0781H01		

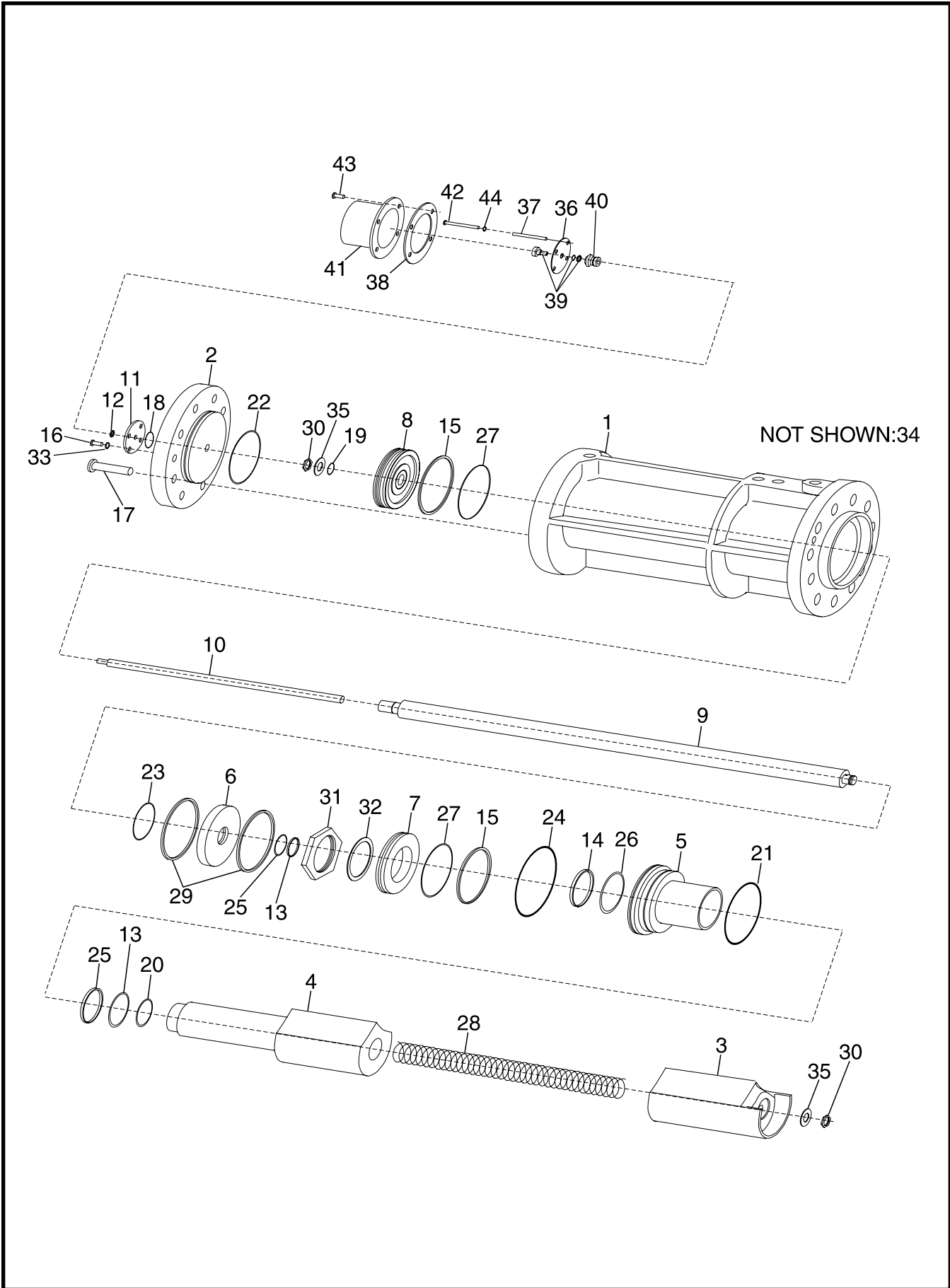


Figure 5. Slide Valve/Stop Assembly, TDSH 193.

FIG. & INDEX	ITEM NUMBER	DESCRIPTION	QTY.	REV.
5-	534E0169	TDSH 193 Slide Valve Stop Assembly	Ref.	AB
-1	534D0047C01	Cylinder	1	
-2	534D0189C01	Cover, Cylinder	1	
-3	534D0063C01	Valve, Slide, TDSH 193S	1	
	534D0046C01	Valve, Slide, TDSH 193L	1	
-4	534D0061C01	Stop, Valve, TDSH 193S	1	
	534D0049C01	Stop, Valve, TDSH 193L	1	
-5	534C0067C01	Cover, Slide Stop	1	
-6	534C0061C01	Cover, Internal Cylinder	1	
-7	534C0062C01	Piston, Slide Stop	1	
-8	534C0063C01	Piston, Spindle	1	
-9	534D0464G03	Assembly, Spindle, TDSH 193S	1	
	534D0464G04	Assembly, Spindle, TDSH 193L	1	
-10	534C0186H03	Shaft, Potentiometer, TDSH 193S	1	
	534C0186H04	Shaft, Potentiometer, TDSH 193L	1	
-11	534C0072H03	Plate, Backing	1	
-12	534B0182H01	Collar, Clamp	1	
-13	534B0006H02	Seal, Rod ■	2	
-14	534B0006H03	Seal, Rod ■	1	
-15	534C0187H02	Ring, Glyd ■	2	
-16	111Q0740730	Capscrew, Socket Head, M4 x 12mm	4	
-17	111Q0740723	Capscrew, Socket Head, M12 x 55mm	8	
-18	980A0014B30	O-ring ■	1	
-19	980A0012A70	O-ring ■	1	
-20	980A0012A98	O-ring ■	1	
-21	980A0012B79	O-ring ■	1	
-22	980A0012B87	O-ring ■	1	
-23	980A0012B88	O-ring ■	1	
-24	980A0012B91	O-ring ■	1	
-25	980A0012H35	O-ring ■	2	
-26	980A0012H49	O-ring ■	1	
-27	980A0012K09	O-ring ■	2	
-28	534C1360H01	Spring, Unloader, TDSH 193S	1	
	534C1360H02	Spring, Unloader, TDSH 193L	1	
-29	534B0015H01	Ring, Retaining ■	2	
-30	534B0910H01	Locknut ■	2	
-31	534A0035H02	Locknut	1	
-32	534B0125H02	Lockwasher ■	1	
-33	111Q0940128	Lockwasher, 4mm	4	
-34	944A0008H03	Plug, Pipe, 3/8-18 NPTF	9	
-35	534B0125H01	Lockwasher ■	2	
	534D0523G01	Slide Valve Indication Mechanism	Ref.	
-36	534B0294H01	Plate, Mounting*	1	
-37	534A0263H01	Support, Tubing*	4	
-38	534A0046H01	Gasket* ■	1	
-39	534B0501H01	Potentiometer*	1	
-40	111Q0451313	Coupling, Flexible*	1	
-41	534B0062C01	Box, Cover	1	
-42	111Q0740729	Capscrew, Socket Head, M5 x 60mm	4	
-43	111Q0740728	Capscrew, Socket Head, M6 x 16mm	4	
-44	905A0021H08	Lockwasher, 5mm	4	
*	534D0523G02	Slide Valve Potentiometer Kit (also replaces Maury potentiometer)	1	

■ Item included in O-ring and Gasket Kit. See page 15.

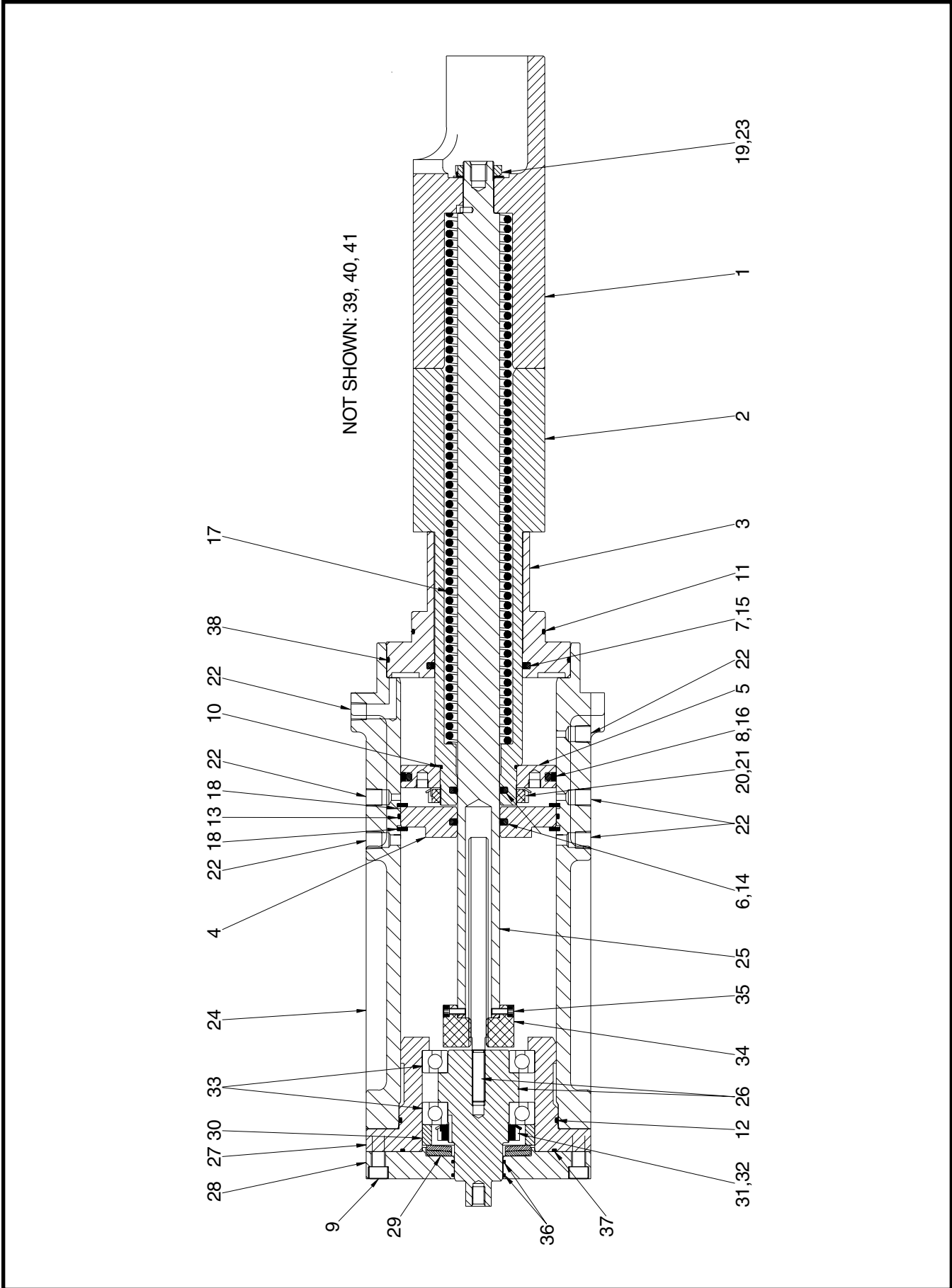


Figure 6. Slide Valve/Stop Assembly, Handwheel, TDSH 193.

FIG. & INDEX	ITEM NUMBER	DESCRIPTION	QTY.	REV.
6-	534E0502	TDSH 193 Slide Valve/Stop Assembly, Handwheel	Ref.	M
-1	534D0063C01	Valve, Slide, TDSH 193S	1	
	534D0046C01	Valve, Slide, TDSH 193L	1	
-2	534D0061C01	Stop, Slide, TDSH 193S	1	
	534D0049C01	Stop, Slide, TDSH 193L	1	
-3	534C0067C01	Cover, Slide Stop	1	
-4	534C0061C01	Cover, Internal Cylinder	1	
-5	534C0062C01	Piston, Slide Stop	1	
-6	534B0006H02	Seal, Rod ■	2	
-7	534B0006H03	Seal, Rod ■	1	
-8	534C0187H02	Ring, Glyd ■	2	
-9	111Q0740723	Capscrew, Socket Head, M12 x 55mm	8	
-10	980A0012A98	O-ring ■	1	
-11	980A0012B79	O-ring ■	1	
-12	980A0012B87	O-ring ■	1	
-13	980A0012B88	O-ring ■	1	
-14	980A0012H35	O-ring ■	2	
-15	980A0012H49	O-ring ■	1	
-16	980A0012K09	O-ring ■	1	
-17	534B0038H01	Spring, Unloader, TDSH 193S	1	
	534B0020H01	Spring, Unloader, TDSH 193L	1	
-18	534B0015H01	Ring, Retaining ■	2	
-19	534B0910H01	Locknut ■	1	
-20	534A0035H02	Locknut	1	
-21	534B0125H02	Lockwasher ■	1	
-22	944A0008H03	Plug, Pipe	7	
-23	534B0125H01	Lockwasher ■	1	
-24	534D0949C01	Cylinder, TDSH 193S	1	
	534D1015C01	Cylinder, TDSH 193L	1	
-25	534C1051H01	Spindle, TDSH 193S	1	
	534C1024H01	Spindle, TDSH 193L	1	
-26	534C1142G01	Assembly, Shaft	1	
-27	534D1013C01	Housing, Bearing	1	
-28	534D1012H01	Cover, Cylinder	1	
-29	534A0518H01	Washer, Spring	2	
-30	534B0567H01	Spacer	1	
-31	534A0519H01	Locknut	1	
-32	534A0520H01	Lockwasher ■	1	
-33	534C1170H04	Bearing, Ball	2	
-34	534B0506H01	Nut, Spindle	1	
-35	534A0541H01	Capscrew, Socket Head	8	
-36	333Q0000800	O-ring ■	2	
-37	980A0012B86	O-ring ■	1	
-38	980A0012B91	O-ring ■	1	
		Not Shown:		
-39	581B0001H06	Wheel, Hand	1	
-40	581A0011H03	Washer, Spring	1	
-41	901A0045D01	Bolt, Hex Head, 1/2-13 UNC x 3/4"	1	

■ Item included in O-ring and Gasket Kit. See page 15.

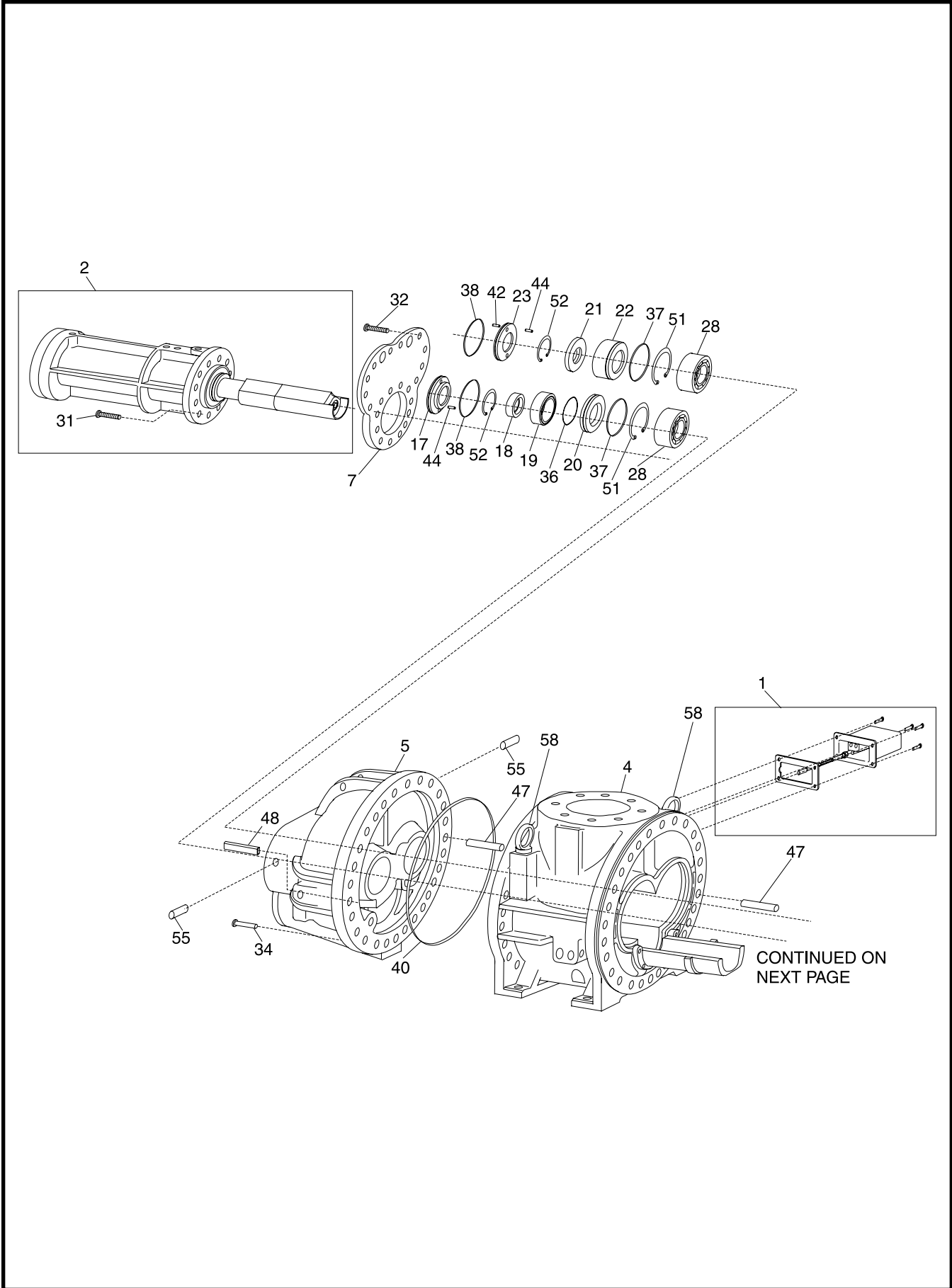


Figure 7a. Screw Compressor, TDSH 233.

CONTINUED FROM  
PREVIOUS PAGE

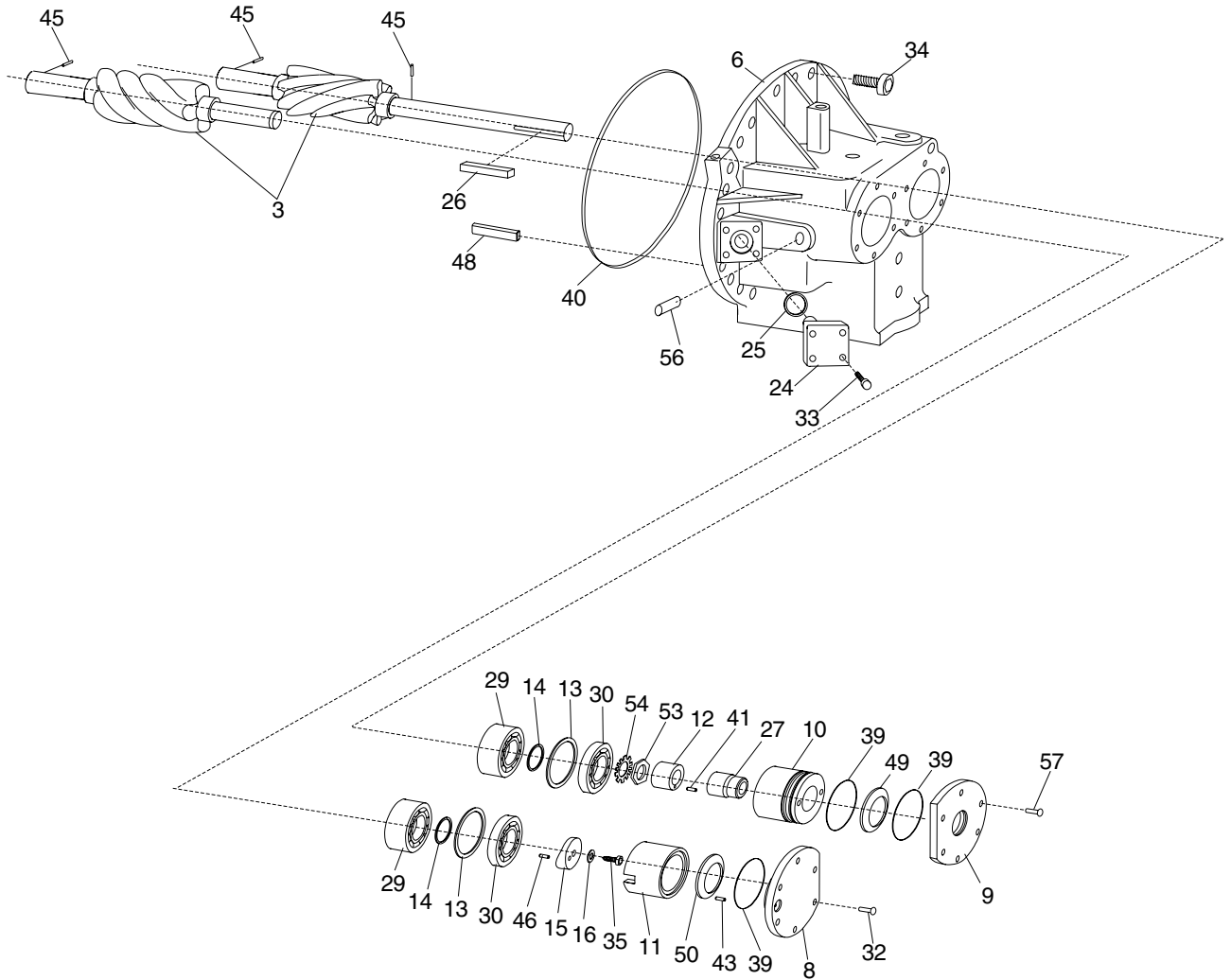


Figure 7b. Screw Compressor, TDSH 233.

FIG. & INDEX	ITEM NUMBER	DESCRIPTION	QTY.	REV.
7-	534E0170G01	TDSH 233S, Screw Compressor, New	Ref.	AF
	534E0170G02	TDSH 233L, Screw Compressor, New	Ref.	AF
	534E0170G05	TDSH 233XL, Screw Compressor, New	Ref.	AF
	534E0170S01	TDSH 233S, Screw Compressor, Rebuilt	Ref.	
	534E0170S02	TDSH 233L, Screw Compressor, Rebuilt	Ref.	
	534E0170S05	TDSH 233XL, Screw Compressor, Rebuilt	Ref.	
	534E0488G01	TDSH 233S, Screw Compressor, Handwheel, New	Ref.	S
	534E0488G02	TDSH 233L, Screw Compressor, Handwheel, New	Ref.	S
	534E0488G03	TDSH 233XL, Screw Compressor, Handwheel, New	Ref.	S
-1	-	Slide Stop Indication Assembly (See Figure 17)	Ref.	
-2	-	Slide Valve/Stop Assembly (See Figure 8 & 9)	Ref.	
-3	534A0087G02	Rotor Pair, TDSH 233L	1	
	534A0499G02	Rotor Pair, TDSH 233XL	1	
-4	534D0130G01	Assembly, Casing, Rotor, TDSH 233S	1	
	534C0194H21	Plug, Pipe, 1/2-14 NPTF w/.328" Orifice	1	
	534D0130G02	Assembly, Casing, Rotor, TDSH 233L	1	
	534C0194H22	Plug, Pipe, 1/2-14 NPTF w/.386" Orifice	1	
	534D0130G03	Assembly, Casing, Rotor, TDSH 233XL	1	
	534C0194H32	Plug, Pipe, 3/4-14 NPTF w/.469" Orifice	1	
-5	534E0019C01	Casing, Inlet	1	
-6	534E0438C01	Casing, Discharge	1	
-7	534D0192C01	Cover, Inlet	1	
-8	534C0113C01	Cover, Outlet	1	
-9	534D0129C01	Housing, Seal	1	
-10	534D0127C01	Spacer, Seal Housing	1	
-11	534D0495C01	Sleeve, Distance	1	
-12	534B0075H01	Ring, Seal Distance	1	
-13	534C0251H01	Plate, Bearing Backup ▲ ◆	2	
-14	534C0252H01	Washer, Adjusting ▲ ◆	2	
-15	534C0171H01	Plate, Bearing	1	
-16	534B0103H01	Washer	1	
-17	534D0089C01	Cover, Female Inlet Bore, original <sup>(3)</sup>	1	
	534D1043C01	Cover, Female Inlet Bore, current <sup>(3)</sup>	1	
-18	534C0234H01	Piston, Female Balance <sup>(3)</sup> ★	1	
-19	534C0212C01	Sleeve, Female Balance Piston <sup>(3)</sup> ★	1	
-20	534C0235H01	Ring, Female <sup>(3)</sup> ★	1	
-21	534C0249H01	Piston, Male Balance ★	1	
-22	534C0250C01	Sleeve, Male Balance Piston ★	1	
-23	534D0193C01	Cover, Male Inlet Bore	1	
-24	534B0051C01	Plug, Vapor Injection	1	
-25	959A0057H05	Gasket, Flange ■	1	
-26	534A0662H03	Key, Square	1	
-27	534C0701H03	Assembly, Seal, Shaft ●	1	
-28	534B0004H04	Bearing, Roller ▲	2	
-29	534B0004H11	Bearing, Roller ▲	2	
-30	534B0101H22	Bearing, Ball, Four-Point Contact ▲ ◆	2	
-31	111Q0740738	Capscrew, Socket Head, M12 x 90mm	8	
-32	111Q0740739	Capscrew, Socket Head, M12 x 45mm	20	
-33	111Q0740737	Capscrew, Socket Head, M16 x 50mm	4	
-34	901A0223H08	Capscrew, Socket Head, M16 x 60mm	48	
	111Q0740742	Capscrew, Socket Head, M16 x 80mm	8	
-35	534A0076H02	Capscrew, Socket Head, 3/4-10 UNC x 2-1/2" ▲ ◆	1	

FIG. & INDEX	ITEM NUMBER	DESCRIPTION	QTY.	REV.
-36	980A0012B79	O-ring ■★	1	
-37	980A0012B88	O-ring ■★	2	
-38	980A0012B89	O-ring ■★	2	
-39	980A0012B90	O-ring ■●◆	3	
-40	980A0012K49	O-ring ■	2	
-41	534A0038H08	Pin, Spring, .250 x .625" ●	1	
-42	534A0038H02	Pin, Spring, .187 x .625" ★	1	
-43	534A0038H05	Pin, Spring, .125 x 500" ▲◆	1	
-44	534A0037H02	Pin, Dowel, 5 x 12mm <sup>(3)</sup> ★	2/3	
-45	534A0037H12	Pin, Dowel, 5 x 10mm <sup>(3)</sup> ●★	2/3	
-46	534A0037H15	Pin, Dowel, 10 x 45mm ▲◆	1	
-47	534B0149H01	Pin, Dowel, 20 x 70mm	2	
-48	534B0151H01	Pin, Dowel, 20 x 70mm, Special	2	
-49	534B0102H06	Washer, Spring	1	
-50	534B0102H07	Washer, Spring	1	
-51	534B0014H05	Ring, Retaining, Metric 472-160	2	
-52	534B0014H12	Ring, Retaining, Metric 471-60 ★	2	
-53	534A0035H05	Locknut	1	
-54	534B0125H10	Lockwasher ■▲◆	1	
-55	944A0008H03	Plug, Pipe, 3/8-18 NPTF, Hollow Hex	6	
-56	944A0008H05	Plug, Pipe, 3/4-14 NPTF, Hollow Hex	10	
-57	111Q0740723	Capscrew, Socket Head, M12 x 55mm	6	
-58	901A0196H07	Ring, Lifting	2	
		<b>Recommended Spare Parts/Service Replacement Parts Kits</b>		
	534M0556G03	▲ Complete Bearing Kit	1	
	111Q0042684	◆ Thrust Bearing Kit <sup>(1)</sup>	1	
	535M0057G01	■ O-ring and Gasket Kit <sup>(2)</sup>	1	
	534M0163G03	● Shaft Seal Kit	1	
	534M0557G03	★ Balance Piston Kit	1	
	534A0124G01	Compressor Tool Kit (For Disassembly/Assembly)	1	
<p>(1) Thrust Bearing Kit items are included in Complete Bearing Kit.</p> <p>(2) O-ring and Gasket set also contains appropriate suction and discharge gaskets. O-ring Kit only: 534B0782H01.</p> <p>(3) Female balance piston, -sleeve and -ring are deleted beginning with s.n. 2312E, 0134EE, 1985F, 0160FF, 0058FL, 0003SFL and 0046T. Exceptions are 2308E-2311E, 1981F-1984F, 0159FF, 0050FL-0057FL, 0001SFL and 0002SFL. Female inlet bore cover changed at the same time.</p> <p>Balance Piston Kit will continue to include these items (except cover) for universal field service. O-ring Kits are unaffected. Factory recommends you maintain unit with Female Balance Piston and related parts intact.</p>				

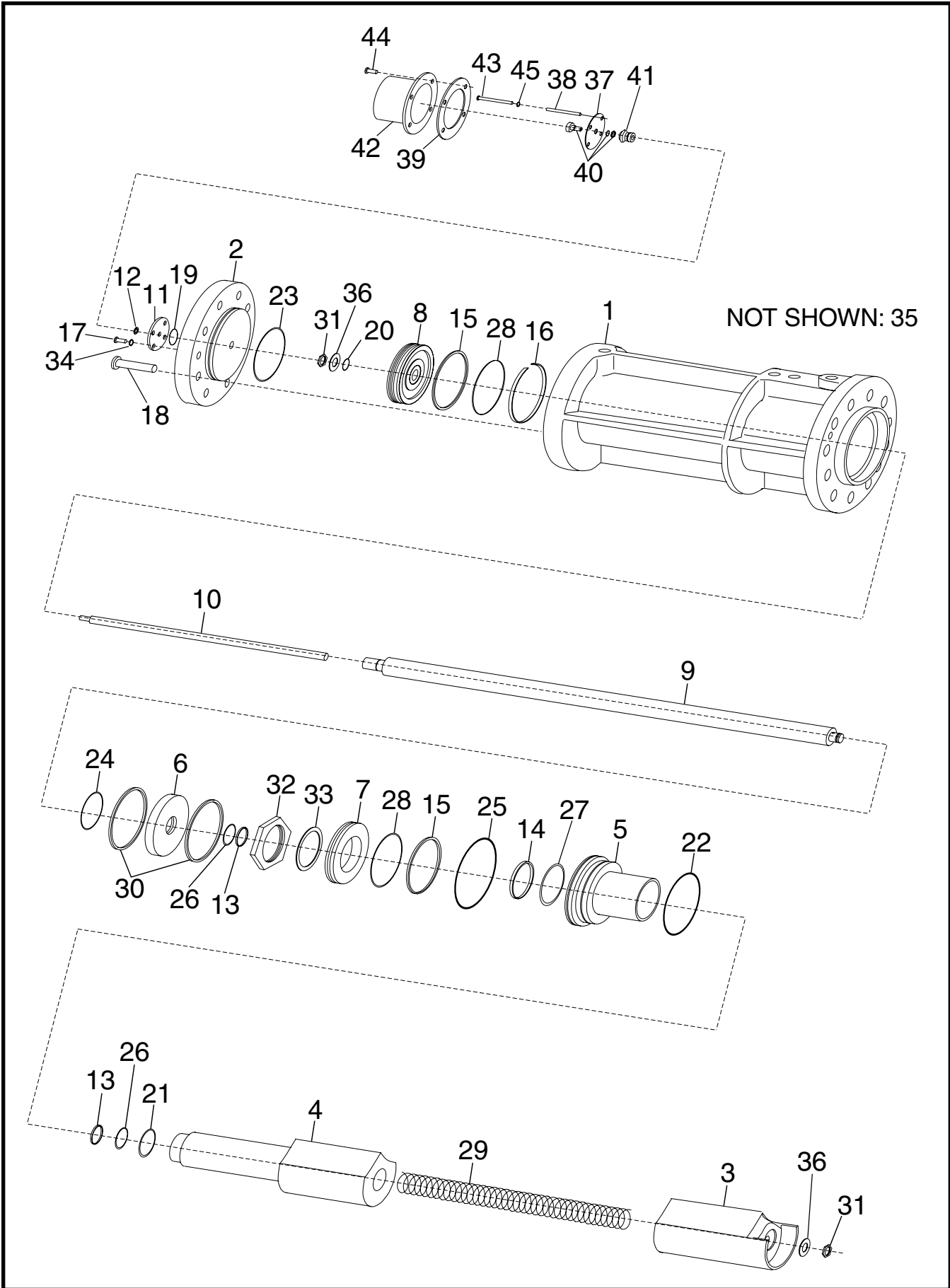


Figure 8. Slide Valve/Stop, TDSH 233.

FIG. & INDEX	ITEM NUMBER	DESCRIPTION	QTY.	REV.
8-	534E0170	TDSH 233 Slide Valve/Stop Assembly	Ref.	AF
-1	534D0079C01	Cylinder, TDSH 233S/L	1	
	534E0459C01	Cylinder, TDSH 233XL	1	
-2	534D0096C01	Cover, Cylinder	1	
-3	534D0082C01	Valve, Slide, TDSH 233S	1	
	534D0083C01	Valve, Slide, TDSH 233L	1	
	534E0456C01	Valve, Slide, TDSH 233XL	1	
-4	534D0085C01	Stop, Slide, TDSH 233S	1	
	534D0084C01	Stop, Slide, TDSH 233L	1	
	534E0460C01	Stop, Slide, TDSH 233XL	1	
-5	534D0088C01	Cover, Slide Stop, TDSH 233S/L	1	
	534D0088C02	Cover, Slide Stop, TDSH 233XL	1	
-6	534C0119C01	Cover, Internal Cylinder	1	
-7	534C0118C01	Piston, Slide Stop	1	
-8	534C0117C01	Piston, Spindle	1	
-9	534D0464G05	Assembly, Spindle, TDSH 233S	1	
	534D0464G06	Assembly, Spindle, TDSH 233L	1	
	534D0464G11	Assembly, Spindle, TDSH 233XL	1	
-10	534C0123H01	Shaft, Potentiometer, TDSH 233S	1	
	534C0123H02	Shaft, Potentiometer, TDSH 233L	1	
	534C0123H02	Shaft, Potentiometer, TDSH 233XL	1	
-11	534B0112H01	Plate, Backing	1	
-12	534B0182H01	Collar, Clamp	1	
-13	534B0006H04	Seal, Rod ■	2	
-14	534B0006H05	Seal, Rod ■	1	
-15	534C0187H03	Glyd Ring ■	2	
-16	534B0079H01	Slyd Ring ■	1	
-17	901A0225H05	Capscrew, Socket Head, M5 x 16mm	4	
-18	111Q0740738	Capscrew, Socket Head, M12 x 55mm	8	
-19	980A0014A61	O-ring ■	1	
-20	980A0012A71	O-ring ■	1	
-21	980A0012B02	O-ring ■	1	
-22	980A0012B86	O-ring ■	1	
-23	980A0012B92	O-ring ■	1	
-24	980A0012B93	O-ring ■	1	
-25	980A0012B97	O-ring ■	1	
-26	980A0012H36	O-ring ■	2	
-27	980A0012H51	O-ring ■	1	
-28	980A0012H70	O-ring ■	2	
-29	534C1360H03	Spring, Unloader, TDSH 233S	1	
	534C1360H04	Spring, Unloader, TDSH 233L/XL	1	
-30	534B0014H14	Ring, Retaining, Metric 472-180 ■	2	
-31	534B0910H02	Locknut ■	2	
-32	534A0035H07	Locknut	1	
-33	534B0125H07	Lockwasher ■	1	
-34	905A0021H08	Lockwasher, 5mm	4	
-35	944A0008H03	Plug, Pipe, 3/8-18NPTF, Hollow Hex	8	
-36	534B0125H06	Lockwasher ■	2	
	534D0523G01	Slide Valve Indication Mechanism Ref.		
-37	534B0294H01	Plate, Mounting*	1	
-38	534A0263H01	Support, Tubing*	4	
-39	534A0046H01	Gasket* ■	1	
-40	534B0501H01	Potentiometer*	1	
-41	111Q0451313	Coupling, Flexible*	1	
-42	534B0062C01	Box, Cover	1	
-43	111Q0740729	Capscrew, Socket Head, M5 x 60mm	4	
-44	111Q0740728	Capscrew, Socket Head, M6 x 16mm	4	
-45	905A0021H08	Lockwasher, 5mm	4	
*	534D0523G02	Slide Valve Potentiometer Kit (also replaces Maury potentiometer)	1	

■ Item included in O-ring and Gasket Kit. See page 23.



Figure 9. Slide Valve/Stop, Handwheel, TDSH 233.

FIG. & INDEX	ITEM NUMBER	DESCRIPTION	QTY.	REV.
9-	534E0488	TDSH 233 Slide Valve/Stop Assembly, Handwheel	Ref.	S
-1	534D0082C01	Valve, Slide, TDSH 233S	1	
	534D0083C01	Valve, Slide, TDSH 233L	1	
	534E0456C01	Valve, Slide, TDSH 233XL	1	
-2	534D0085C01	Valve, Stop, TDSH 233S	1	
	534D0084C01	Valve, Stop, TDSH 233L	1	
	534E0460C01	Valve, Stop, TDSH 233XL	1	
-3	534D0088C02	Cover, Slide Stop, TDSH 233S/L	1	
	534D0088C01	Cover, Slide Stop, TDSH 233XL	1	
-4	534C0119C01	Cover, Internal Cylinder	1	
-5	534C0118C01	Piston, Slide Stop	1	
-6	534B0006H04	Seal, Rod ■	2	
-7	534B0006H05	Seal, Rod ■	1	
-8	534C0187H03	Ring, Glyd ■	1	
-9	111Q0740739	Capscrew, M12 x 45mm*	2	
-10	980A0012B02	O-ring ■	1	
-11	980A0012B86	O-ring ■	1	
-12	980A0012B92	O-ring ■	1	
-13	980A0012B93	O-ring ■	1	
-14	980A0012B97	O-ring ■	1	
-15	980A0012H36	O-ring ■	2	
-16	980A0012H51	O-ring ■	1	
-17	980A0012H70	O-ring ■	1	
-18	534B0080H01	Spring, Unloader, TDSH 233S	1	
	534B0081H01	Spring, Unloader, TDSH 233L/XL	1	
-19	534B0014H14	Ring, Retaining ■	2	
-20	534B0910H02	Locknut ■	1	
-21	534A0035H07	Locknut	1	
-22	534A0035H05	Locknut	2	
-23	534B0125H07	Lockwasher ■	1	
-24	944A0008H03	Plug, Pipe, 3/8-18 NPTF	7	
-25	534B0125H06	Lockwasher ■	1	
-26	534D0976C01	Cylinder, TDSH 233S	1	
	534D1018C01	Cylinder, TDSH 233L	1	
	534E0572C01	Cylinder, TDSH 233XL	1	
-27	534C1033H01	Spindle, TDSH 233S	1	
	534C1030H01	Spindle, TDSH 233L	1	
	534C1155H01	Spindle, TDSH 233XL	1	
-28	534D1016C01	Bearing Housing	1	
-29	534C1038G01	Assembly, Shaft	1	
-30	534B0496H01	Spacer	1	
-31	534C1037H01	Nut	1	
-32	534D1017H01	Face Plate	1	
-33	534C1170H03	Bearing, Ball	2	
-34	534A0533H01	Washer, Spring	2	
-35	534B0125H10	Lockwasher ■	1	
-36	333Q0000802	Capscrew, Socket Head, M12 x 75mm	8	
-37	534A0541H01	Capscrew, Socket Head, M6 x 16	8	
-38	333Q0000800	O-ring ■	2	
-39	980A0012B90	O-ring ■	1	
-40	534A0037H02	Pin, Spindle	1	
-41	581B0001H06	Not Shown: Wheel, Hand	1	
-42	581A0011H03	Washer, Spring	1	
-43	901A0045D01	Bolt, Hex Head, 1/2-13 UNC x 3/4"	1	
-44	111Q0940051	Washer, Flat	1	

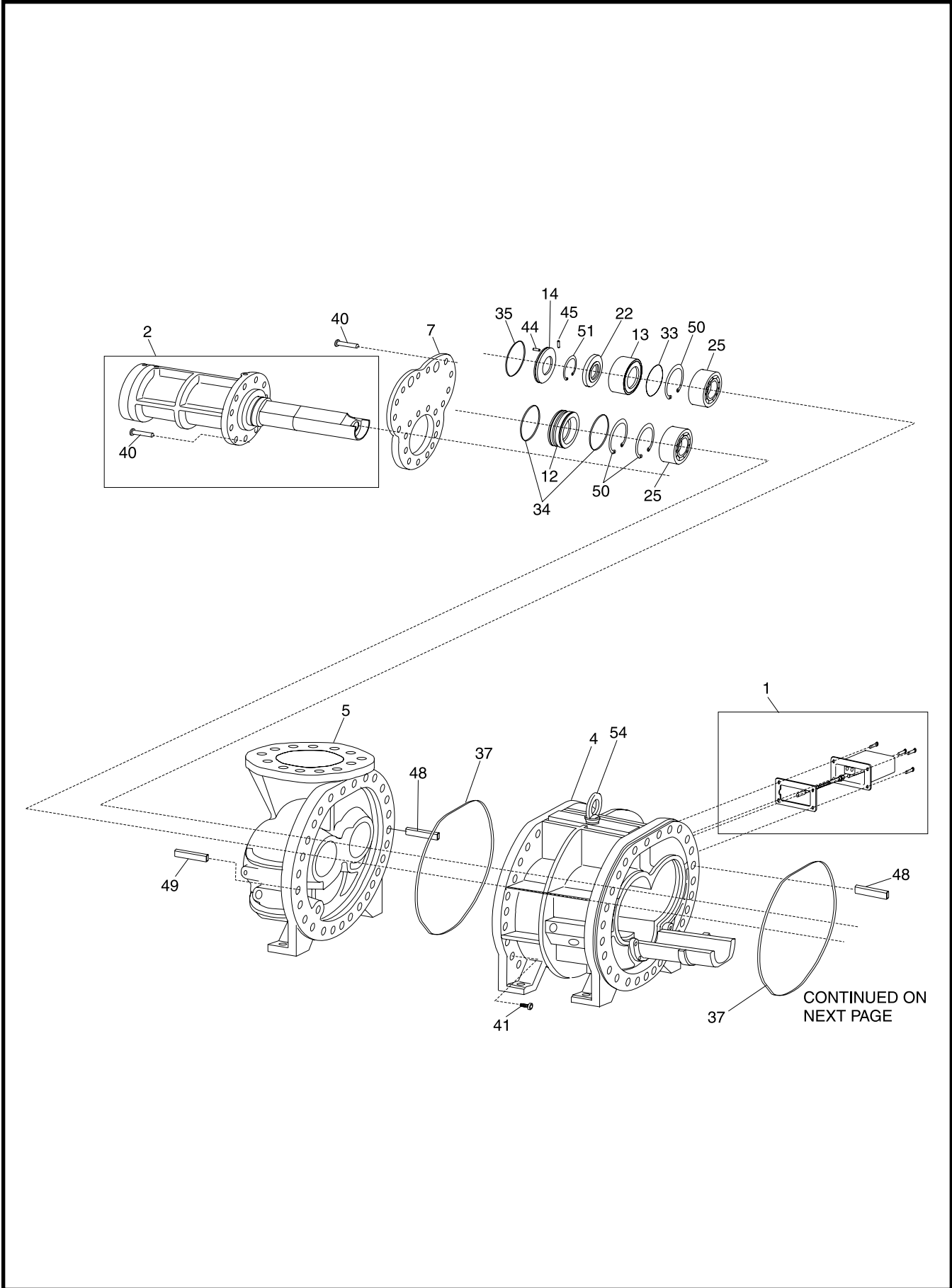


Figure 10a. Screw Compressor, TDSH 283.

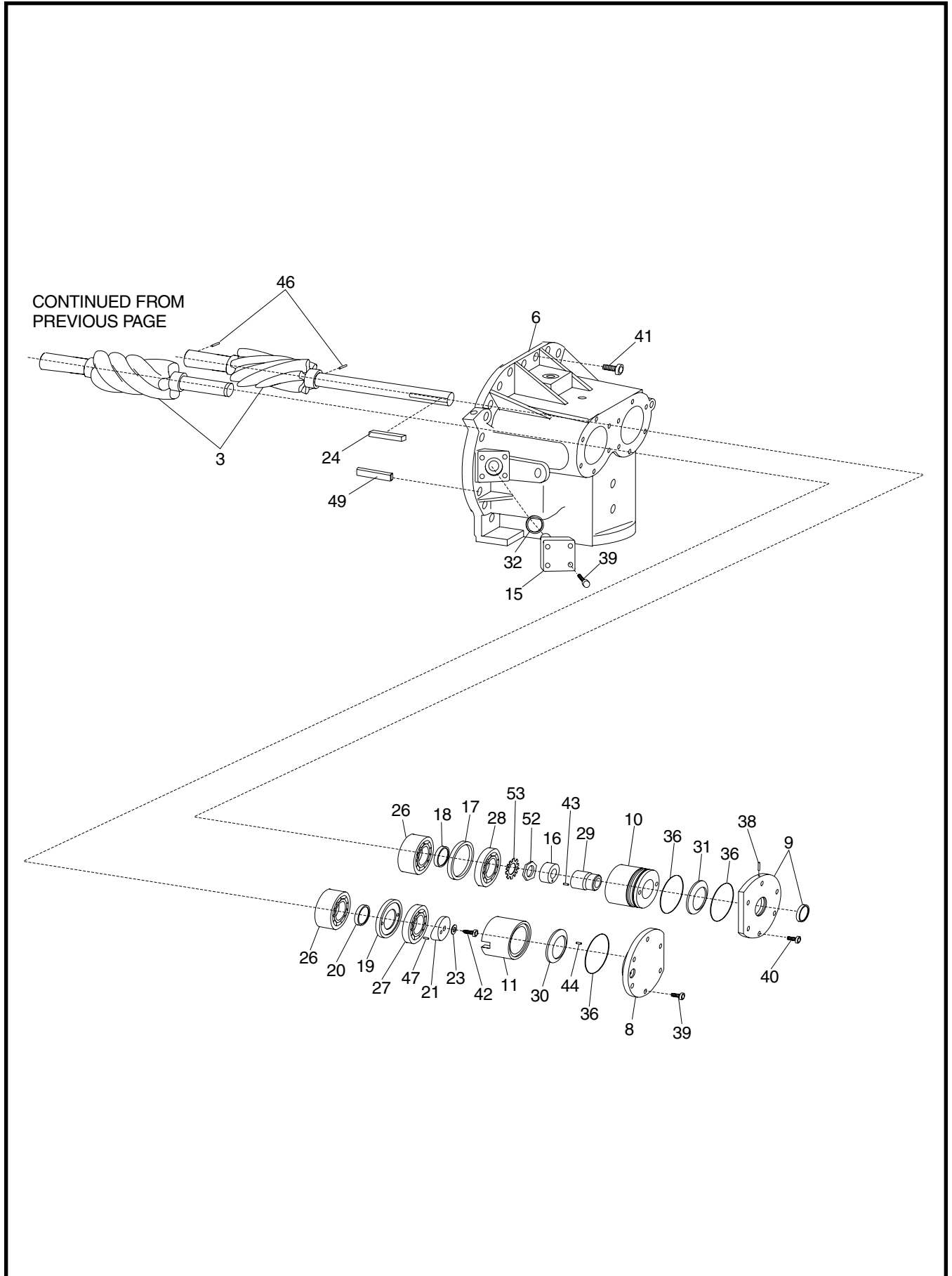


Figure 10b. Screw Compressor, TDSH 283.

FIG. & INDEX	ITEM NUMBER	DESCRIPTION	QTY.	REV.
10-	534D0575G01	TDSH 283S, Screw Compressor, New	Ref.	P
	534D0575G02	TDSH 283L, Screw Compressor, New	Ref.	P
	534E0604G01	TDSH 283XL, Screw Compressor, New	Ref.	J
	534D0575S01	TDSH 283S, Screw Compressor, Rebuilt	Ref.	
	534D0575S02	TDSH 283L, Screw Compressor, Rebuilt	Ref.	
	534D0885G01	TDSH 283S, Screw Compressor, Handwheel, New	Ref.	P
	534D0885G02	TDSH 283L, Screw Compressor, Handwheel, New	Ref.	P
-1	-	Slide Stop Indication Assembly (See Figure 17)	Ref.	
-2	-	Slide Valve/Stop Assembly (See Figure 11 & 12)	Ref.	
-3	534A0324G02	Rotor Pair, TDSH 283S (2)	1	
	534A0088G01	Rotor Pair, TDSH 283S (3)	1	
	534A0259G02	Rotor Pair, TDSH 283L (2)	1	
	534A0089G01	Rotor Pair, TDSH 283L (3)	1	
	534A0644G02	Rotor Pair, TDSH 283SX (2)	1	
	534A0331G02	Rotor Pair, TDSL 283XL	1	
-4	534C0208G01	Assembly, Casing, Rotor, TDSH 283S	1	
	534C0194H31	Plug, Pipe, 3/4-14 NPTF w/.397" Orifice	1	
	534C0207G01	Assembly, Casing, Rotor, TDSH 283L	1	
	534C0194H32	Plug, Pipe, 3/4-14 NPTF w/.453" Orifice	1	
	534C1204G01	Assembly, Casing, Rotor, TDSH 283SX	1	
	534C0194H53	Plug, Pipe, 3/4-14 NPTF w/.500" Orifice	1	
-5	534E0271C02	Casing, Inlet, TDSH 283S/L <sup>(2)</sup>	1	
	534E0049C01	Casing, Inlet, TDSH 283S/L <sup>(3)</sup>	1	
	534E0271C01	Casing, Inlet, TDSH 283XL	1	
-6	534E0439C01	Casing, Discharge	1	
-7	534D0499C01	Cover, Inlet <sup>(2)</sup>	1	
	534D0145C01	Cover, Inlet <sup>(3)</sup>	1	
-8	534D0161C01	Cover, Outlet	1	
-9	534D0151C01	Housing, Seal	1	
	333Q0001219	Seal, Oil ● (Oil Seal Tool 534A0636H01 ●)	1	
-10	534D0150C01	Spacer, Seal Housing	1	
-11	534D0170C01	Sleeve, Distance	1	
-12	534D0168C01	Cover, Female Inlet Bore	1	
-13	534D0509C01	Sleeve, Male Balance Piston ★	1	
	534D0226C01	Sleeve, Male Balance Piston ●	1	
-14	534D0507C01	Cover, Male Inlet Bore	1	
-15	534C0204C01	Plug, Vapor Injection	1	
-16	534C0193H01	Ring, Seal Distance	1	
-17	534C0645H01	Plate, Male Bearing Backup ▲ ◆	1	
	534C0190H01	Plate, M/F Bearing Backup ♣	1	
-18	534C0646H01	Washer, Male Adjusting ▲ ◆	1	
	534C0191H01	Washer, M/F Adjusting ♣	1	
-19	534C0190H01	Plate, M/F Bearing Backup ▲ ◆ ♣	1	
-20	534C0191H01	Washer, M/F Adjusting ▲ ◆ ♣	1	
-21	534C0200H01	Plate, Bearing	1	
-22	534D0514H01	Piston, Male Balance ★	1	
	534C0279H01	Piston, Male Balance ●	1	
-23	534B0103H01	Washer	1	
-24	534A0662H04	Key, Square	1	
-25	534B0004H11	Bearing, Cylindrical Roller ▲	2	
-26	534B0004H12	Bearing, Cylindrical Roller ▲	2	

FIG. & INDEX	ITEM NUMBER	DESCRIPTION	QTY.	REV.
-27	534B0101H21	Bearing, Ball, Four Point Angular Contact ▲ ◆ ❖	1	
-28	534B0101H26	Bearing, Ball, Four Point Angular Contact ▲ ◆	1	
	534B0101H21	Bearing, Ball, Four Point Angular Contact ❖	1	
-29	534C0701H04	Assembly, Shaft Seal ●	1	
-30	534B0102H06	Washer, Spring	1	
-31	534B0102H08	Washer, Spring	1	
-32	959A0057H07	Gasket, Flange ■	1	
-33	980A0012B19	O-ring ■ ★	1	
-34	980A0012B89	O-ring ■ ★ ◆	2	
-35	980A0012B93	O-ring ■ ★	1	
-36	980A0012B96	O-ring ■ ● ◆	3	
-37	980A0012K52	O-ring ■	2	
-38	111Q0740253	Setscrew, Socket Head, 1/4-20 UNC x 1/2"	1	
-39	111Q0740743	Capscrew, Socket Head, M16 x 55mm	11	
-40	901A0223H09	Capscrew, Socket Head, M16 x 65mm	27	
	901A0223H16	Capscrew, Socket Head, M16 x 120mm	8	
-41	901A0222H09	Capscrew, Socket Head, M20 x 75	45	
-42	534A0076H02	Capscrew, Socket Head, 3/4-10 UNC x 2-1/2" ▲ ◆	1	
-43	534A0038H08	Pin, Spring, .250 x .625" ●	1	
-44	534A0038H10	Pin, Spring, .312 x 1.00" ▲ ◆ ★ ◆	2	
-45	534A0037H03	Pin, Dowel, 5 x 16mm ★ ◆	1	
-46	534A0037H12	Pin, Dowel, 5 x 10mm ● ★ ◆	2	
-47	534A0037H15	Pin, Dowel, 10 x 45mm ▲ ◆	1	
-48	534B0149H01	Pin, Dowel, 20 x 70mm	2	
-49	534B0151H01	Pin, Dowel, 20 x 70mm, Special	2	
-50	534B0014H13	Ring, Retaining ▲ ★	3	
-51	534B0014H12	Ring, Retaining ★ ◆	1	
-52	534A0035H14	Locknut, current	1	
-53	534B0125H15	Lockwasher, current ▲ ◆	1	
-54	901A0196H12	Ring, Lifting	1	
	534M0556G04	Recommended Spare Parts/Service Parts Kits: ▲ Complete Bearing Kit <sup>(4)</sup>	1	
	111Q0042685	❖ Thrust Bearing Kit, original <sup>(3)</sup>	1	
	534M0269G01	◆ Thrust Bearing Kit, current <sup>(2)(4)</sup>	1	
	535M0059G01	■ O-ring and Gasket Kit <sup>(1)</sup>	1	
	534M0163G04	● Shaft Seal Kit	1	
	534M0557G06	◆ Balance Piston Kit, original <sup>(5)</sup>	1	
	534M0557G04	★ Balance Piston Kit, current <sup>(5)</sup>	1	
	534A0125G01	Compressor Tool Kit (For Disassembly/Assembly)	1	

(1) O-ring and Gasket Kit also contains appropriate suction and discharge gaskets. When rebuilding an original design compressor, the following parts need to be ordered in addition to O-ring & Gasket Kit: 980A0012B98 O-ring used on both sides of item 6, Figure 11: 980A0012H77 O-ring for Slide Stop Piston: 534C0187H04 Glyd Ring® for Slide Stop Piston: 534B0079H02 Slydring® for Slide Stop Piston. |

(2) Used with all 283SX and Serial Numbers TDSH283S-1286G and higher, and TDSH283L-1189H and higher.

(3) Used prior to Serial Numbers TDSH283S-1286G (Exceptions are 1273G,1274G,&1282G) and TDSH283L-1189H (Exceptions are 1168H, 1169H & 1184H). Also order original Locknut 534A0035H09, and Lockwasher 534B0125H09. Roller Bearings are not included in original kit and must be ordered separately.

(4) Current Thrust Bearing Kit items are included in Complete Bearing Kit. Locknut 534A0035H14 is not included in kit, order separately.

(5) Follow serial number breaks for Thrust Bearing Kits to order original and current Balance Piston Kit.

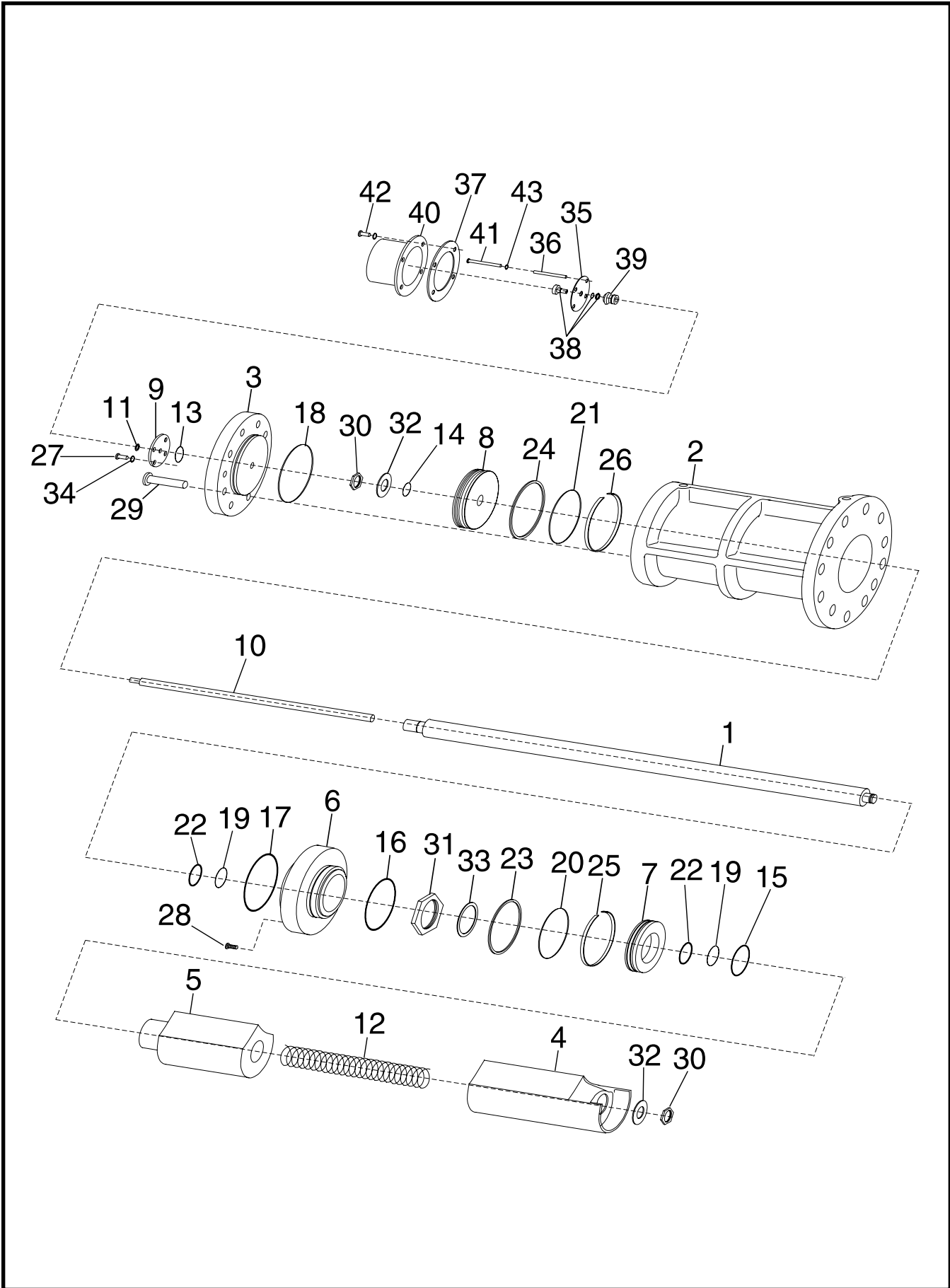


Figure 11. Slide Valve/Stop Assembly, TDSH 283.

FIG. & INDEX	ITEM NUMBER	DESCRIPTION	QTY.	REV.
11-	534D0575 534E0604	TDSH 283S/L Slide Valve/Stop Assembly TDSH 283XL Slide Valve/Stop Assembly	Ref. Ref.	P J
-1	534D0464G07 534D0464G08	Assembly, Spindle, TDSH 283S Assembly, Spindle, TDSH 283L/XL	1 1	
-2	534D0160C01	Cylinder	1	
-3	534D0157C01	Cover, Cylinder	1	
-4	534D0140C01 534D0141C01 534D1048C01	Valve, Slide, TDSH 283S Valve, Slide, TDSH 283L Valve, Slide, TDSH 283XL	1 1 1	
-5	534D0143C01 534D0144C01 534D1049C01	Stop, Slide, TDSH 283S Stop, Slide, TDSH 283L Stop, Slide, TDSH 283XL	1 1 1	
-6	534D0500C01 534D0541C01	Cover, Slide Stop, TDSH 283S Cover, Slide Stop, TDSH 283L/XL	1 1	
-7	534D0508C01	Piston, Slide Stop	1	
-8	534D0153C01	Piston, Spindle	1	
-9	534B0112H01	Plate, Backing	1	
-10	534C0201H01 534C0201H02	Shaft, Potentiometer, TDSH 283S Shaft, Potentiometer, TDSH 283L/XL	1 1	
-11	534B0182H01	Collar, Clamp	1	
-12	534C1360H06 534C1360H07 534B0278H01	Spring, Unloader, TDSH 283S Spring, Unloader, TDSH 283L Spring, Unloader, TDSH 283XL	1 1 1	
-13	980A0014A66	O-ring ■	1	
-14	980A0012A76	O-ring ■	1	
-15	980A0012B03	O-ring ■	1	
-16	980A0012B95	O-ring ■	1	
-17	980A0012B98	O-ring ■	1	
-18	980A0012B99	O-ring ■	1	
-19	980A0012H40	O-ring ■	2	
-20	980A0012H73	O-ring ■	1	
-21	980A0012H77	O-ring ■	1	
-22	534B0006H06	Seal, Rod ■	2	
-23	534C0187H12	Glyd Ring ■	1	
-24	534C0187H04	Glyd Ring ■	1	
-25	534B0079H05	Slyd Ring ■	1	
-26	534B0079H02	Slyd Ring ■	1	
-27	901A0225H05	Capscrew, Socket Head, M5 x 16mm	4	
-28	111Q0740743	Capscrew, Socket Head, M16 x 55mm	5	
-29	901A0223H09	Capscrew, Socket Head, M16 x 65mm	8	
-30	534B0910H03	Locknut ■	2	
-31	534A0035H08	Locknut	1	
-32	534B0125H05	Lockwasher ■	2	
-33	534B0125H08	Lockwasher ■	1	
-34	905A0021H08	Lockwasher, 5mm	4	
	534D0523G01	Slide Valve Indication Mechanism	Ref.	
-35	534B0294H01	Plate, Mounting*	1	
-36	534A0263H01	Support, Tubing*	4	
-37	534A0046H01	Gasket* ■	1	
-38	534B0501H01	Potentiometer*	1	
-39	111Q0451313	Coupling, Flexible*	1	
-40	534B0062C01	Box, Cover	1	
-41	111Q0740729	Capscrew, Socket Head, M5 x 60mm	4	
-42	111Q0740728	Capscrew, Socket Head, M6 x 16mm	4	
-43	905A0021H08	Lockwasher, 5mm	4	
*	534D0523G02	Slide Valve Potentiometer Kit (also replaces Maury Potentiometer)	1	

■ Item included in O-ring and Gasket Kit. See page 31.

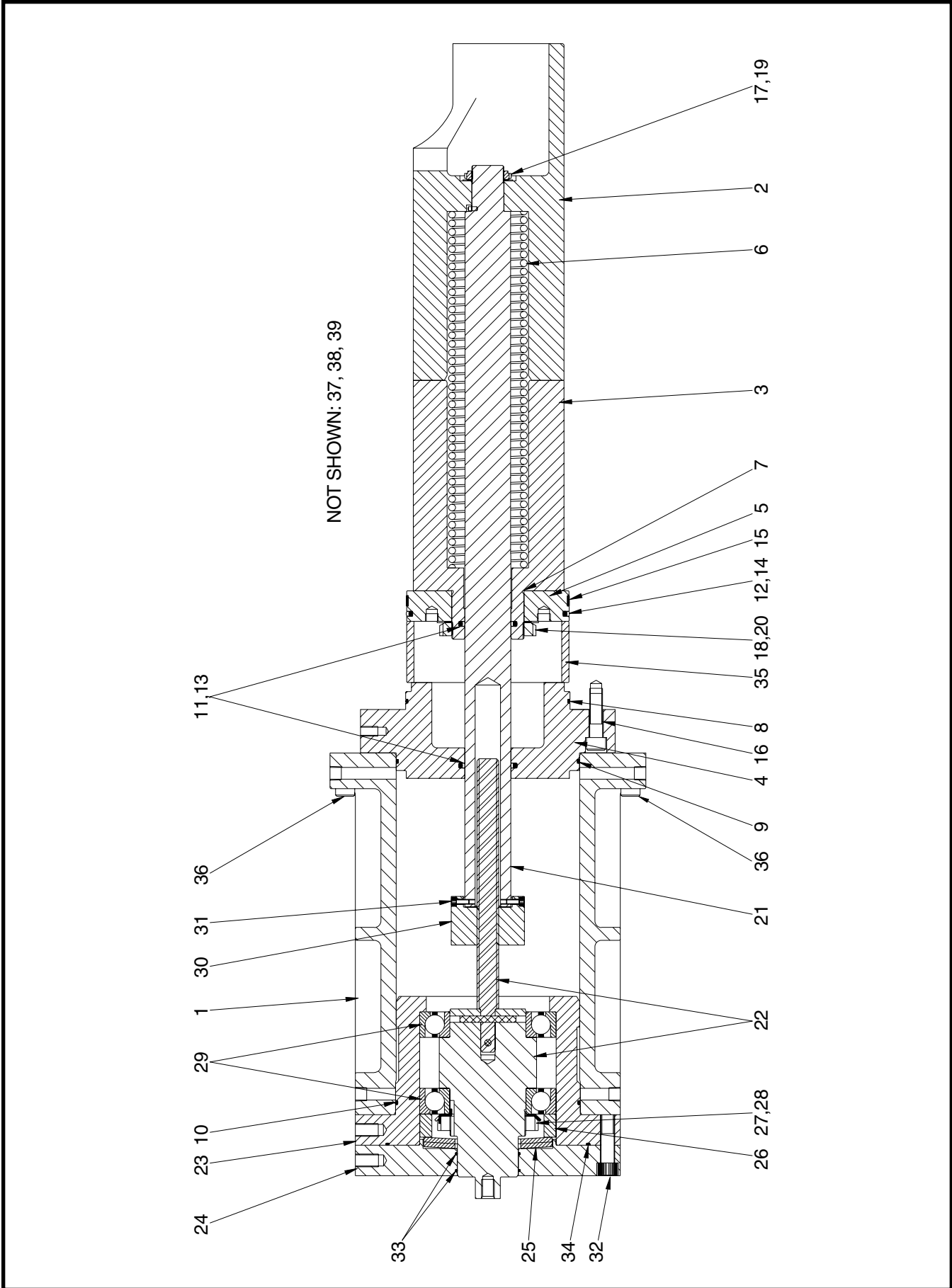


Figure 12. Slide Valve/Stop Assembly, Handwheel, TDSH 283.

FIG. & INDEX	ITEM NUMBER	DESCRIPTION	QTY.	REV.
12-	534D0885	TDSH 283 Slide Valve/Stop Assembly, Handwheel	Ref.	P
-1	534D0160C01	Cylinder	1	
-2	534D0140C01	Valve, Slide, TDSH 283S	1	
	534D0141C01	Valve, Slide, TDSH 283L	1	
-3	534D0143C01	Stop, Slide, TDSH 283S	1	
	534D0144C01	Stop, Slide, TDSH 283L	1	
-4	534D0500C01	Cover, Slide Stop, TDSH 283S	1	
	534D0541C01	Cover, Slide Stop, TDSH 283L	1	
-5	534D0508C01	Piston, Slide Stop	1	
-6	534B0117H01	Spring, Unloader, TDSH 283S	1	
	534B0116H01	Spring, Unloader, TDSH 283L	1	
-7	980A0012B03	O-ring ■	1	
-8	980A0012B95	O-ring ■	1	
-9	980A0012B98	O-ring ■	1	
-10	980A0012B99	O-ring ■	1	
-11	980A0012H40	O-ring ■	2	
-12	980A0012H73	O-ring ■	1	
-13	534B0006H06	Seal, Rod ■	2	
-14	534C0187H12	Ring, Glyd ■	1	
-15	534B0079H05	Ring Slyd ■	1	
-16	111Q0740743	Capscrew, Socket Head, M16 x 55	5	
-17	534B0910H03	Locknut ■	1	
-18	534A0035H08	Locknut	1	
-19	534B0125H05	Lockwasher ■	1	
-20	534B0125H08	Lockwasher ■	1	
-21	534D0899H01	Spindle, TDSH 283S	1	
	534D0883H01	Spindle, TDSH 283L	1	
-22	534C1042G01	Assembly, Shaft	1	
-23	534D1011C01	Housing, Bearing	1	
-24	534D1010H01	Plate, Face	1	
-25	534A0528H01	Washer, Spring	2	
-26	534B0566H01	Spacer	1	
-27	534A0035H09	Locknut	1	
-28	534B0125H09	Lockwasher ■	1	
-29	534C1170H02	Bearing, Ball	2	
-30	534C1041H01	Nut, Spindle	1	
-31	534A0541H01	Capscrew, Socket Head, M6 x 16mm	8	
-32	111Q0740747	Capscrew, Socket Head, M16 x 85	8	
-33	333Q0000801	O-ring ■	1	
-34	980A0012H04	O-ring ■	1	
-35	534C0453H23	Spacer, TDSH 283S	1	
	534C0453H26	Spacer, TDSH 283L	1	
-36	901A0223H16	Capscrew, Socket Head, M16 x 120	4	
	901A0223H09	Capscrew, Socket Head, M16 x 65	8	
		Not Shown:		
-37	581B0001H06	Wheel, Hand	1	
-38	581A0011H03	Washer, Spring	1	
-39	901A0045D01	Bolt, Hex Head, 1/2-13 UNC x 3/4"	1	

■ Item included in O-ring and Gasket Kit. See page 31.

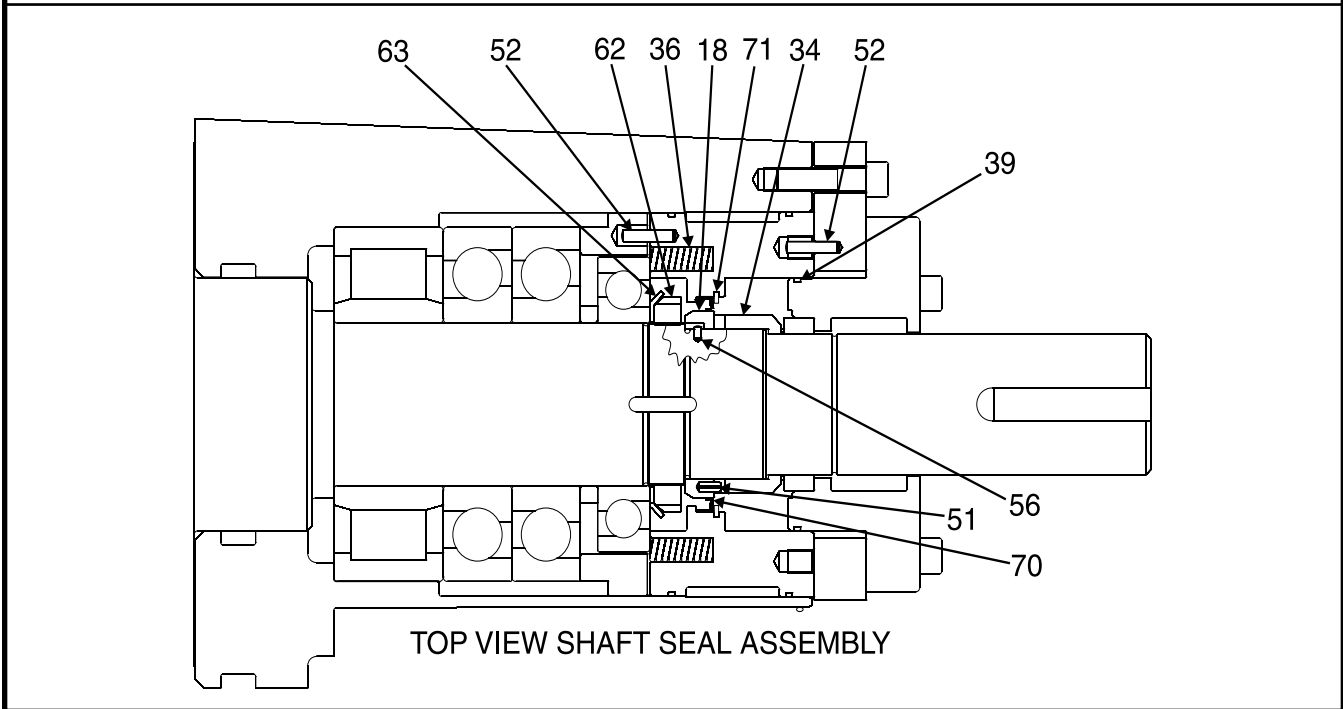
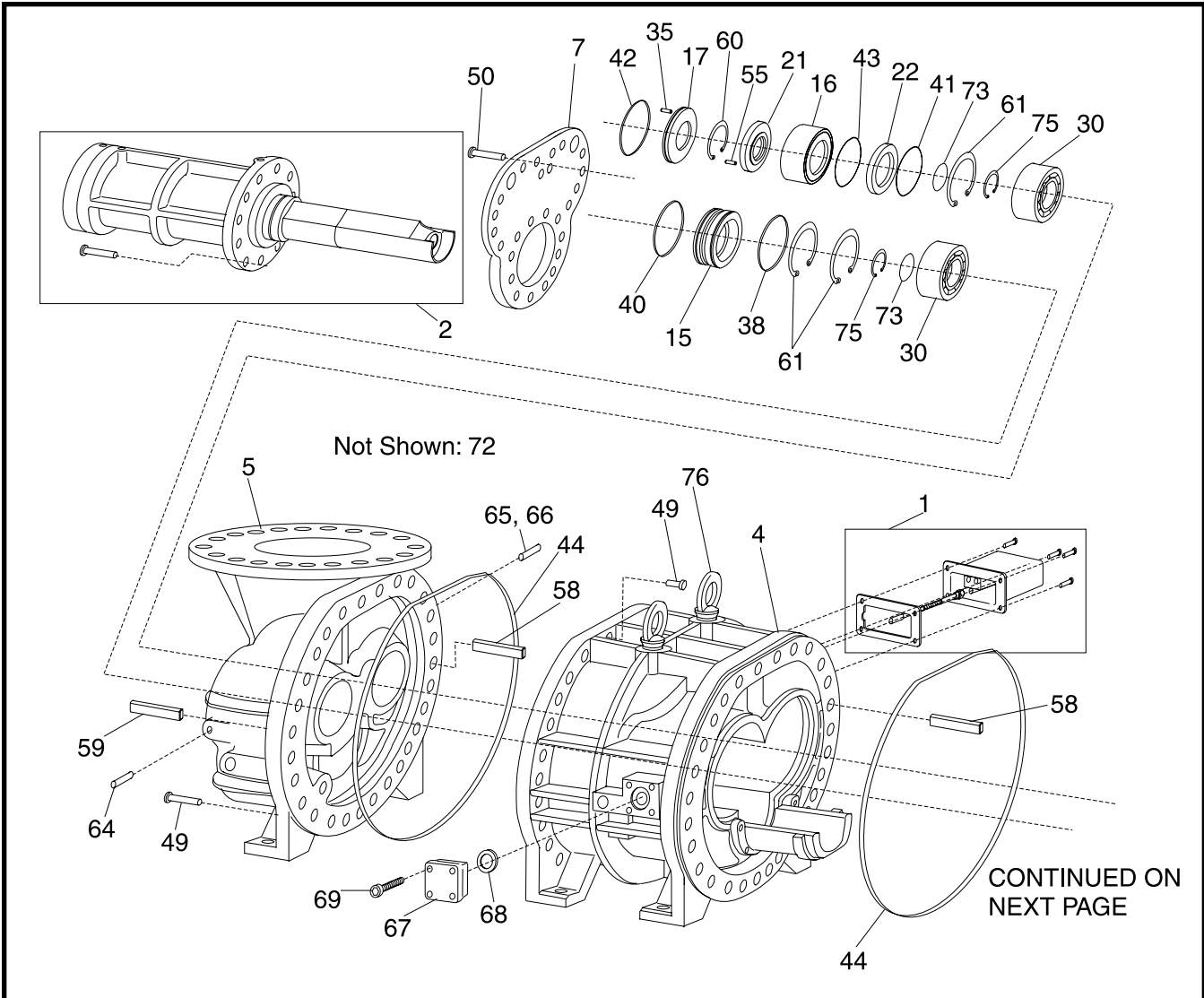


Figure 13a. Screw Compressor, TDSH 355.

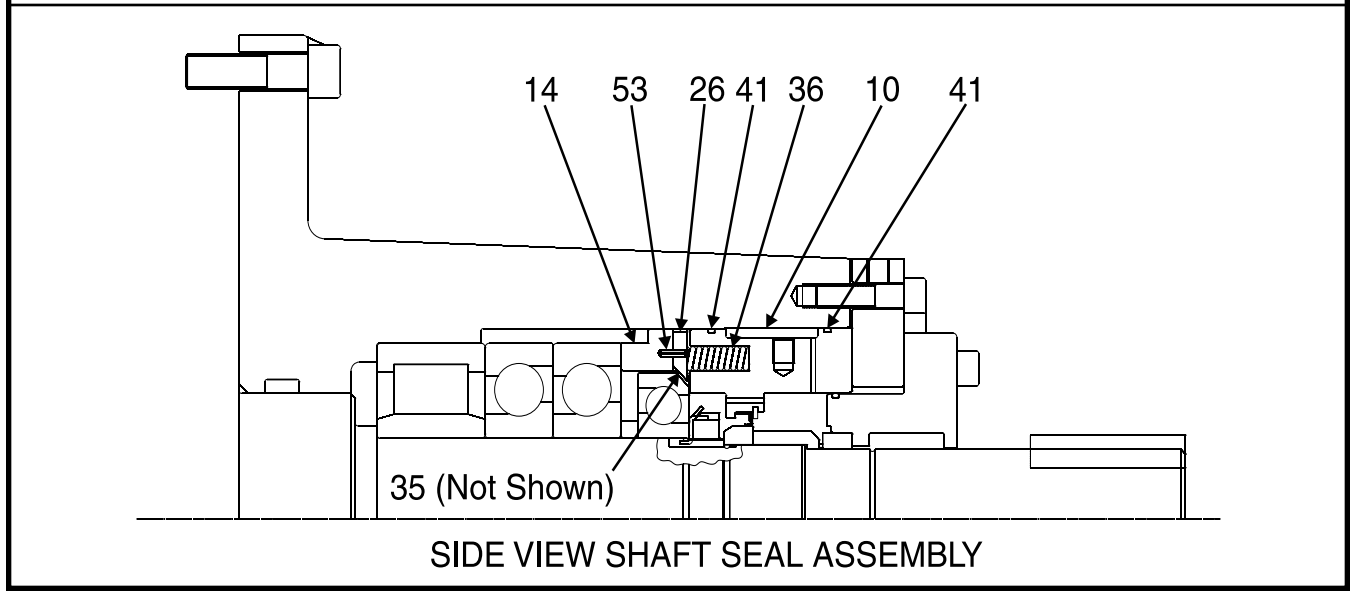
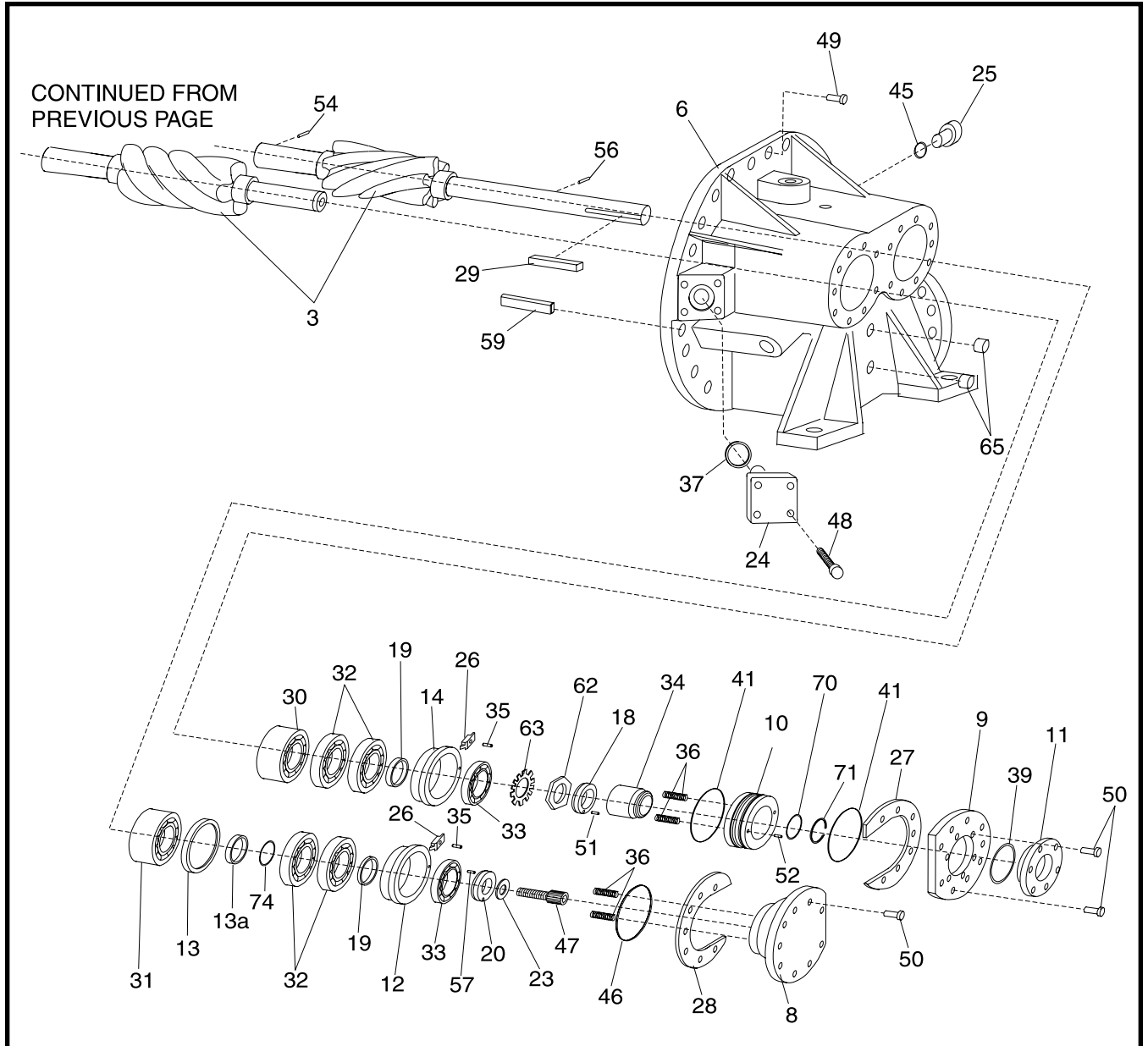


Figure 13b. Screw Compressor, TDSH 355.

TDSH / GDSH / TDSB ROTARY SCREW COMPRESSORS  
SERVICE PARTS LIST



FIG. & INDEX	ITEM NUMBER	DESCRIPTION	QTY.	REV.
13-	534E0309G02	TDSH 355S, Screw Compressor, New	Ref.	AM
	534E0309G01	TDSH 355L, Screw Compressor, New	Ref.	AM
	534E0309G05	TDSH 355XL, Screw Compressor, New	Ref.	AM
	534E0309S02	TDSH 355S, Screw Compressor, Rebuilt	Ref.	
	534E0309S01	TDSH 355L, Screw Compressor, Rebuilt	Ref.	
	534E0309S05	TDSH 355XL, Screw Compressor, Rebuilt	Ref.	
	534E0532G02	TDSH 355S, Screw Compressor, Handwheel, New	Ref.	V
	534E0532G01	TDSH 355L, Screw Compressor, Handwheel, New	Ref.	V
	534E0532G03	TDSH 355XL, Screw Compressor, Handwheel, New	Ref.	V
-1	-	Slide Stop Indication Assembly (See Figure 17)	Ref.	
-2	-	Slide Valve/Stop Assembly (See Figure 15 & 16)	Ref.	
-3	534A0837G02	Rotor Pair, TDSH 355L, and Booster	1	
	534A0836G02	Rotor Pair, TDSH 355S, and Booster	1	
	534A0838G02	Rotor Pair, TDSH 355XL, and Booster	1	
-4	534D0407G02	Assembly, Casing, Rotor, TDSH 355S, and Booster	1	
	534C0194H42	Plug, Pipe, 1/2 NPTF w/.210" Orifice (HW)	1	
	534C0194H53	Plug, Pipe, 1-1/4 NPTF w/.500" Orifice (S)	1	
	534C0194H55	Plug, Pipe, 1-1/4 NPTF w/.385" Orifice (Booster)	1	
	534D0407G03	Assembly, Casing, Rotor, TDSH 355L	1	
	534C0194H42	Plug, Pipe, 1/2 NPTF w/.210" Orifice (HW)	1	
	534C0192H52	Plug, Pipe, 1-1/4 NPTF w/.609" Orifice (L)	1	
	534D0407G01	Assembly, Casing, Rotor, TDSH 355L Booster	1	
	534C0194H54	Plug, Pipe, 1-1/4NPTF w/.422" Orifice	1	
	534D0407G04	Assembly, Casing, Rotor, TDSH XL, and Booster	1	
	534C0194H42	Plug, Pipe, 1/2 NPTF w/.210" Orifice (HW)	1	
	534C0194H51	Plug, Pipe, 1-1/4 NPTF w/.709" Orifice (XL)	1	
	534C0194H53	Plug, Pipe, 1-1/4 NPTF w/.500" Orifice (Booster)	1	
-5	534D1606C01	Casing, Inlet	1	
-6	534E1076C01	Casing, Discharge	1	
-7	534D0370C01	Cover, Inlet	1	
-8	534D1402C01	Cover, Outlet	1	
-9	534D1400C01	Cover, Seal Housing	1	
-10	534D1401C01	Spacer, Seal Housing	1	
-11	534D0766C01	Cover, Housing	1	
-12	534C1661H02	Spacer, Bearing Preload (Female)	1	
-13	534D0412C01	Spacer, Bearing	1	
-13a	534C1587H01	Spacer, Bearing Race	1	
-14	534C1661H01	Spacer, Bearing Preload (Male)	1	
-15	534D0375C01	Cover, Female Inlet Bore	1	
-16	534D0391C01	Sleeve, Male Balance Piston ★	1	
-17	534D0374C01	Cover, Male Inlet Bore	1	
-18	534C0487H01	Ring, Seal Distance	1	
-19	534B0238H01	Spacer, Bearing	2	
-20	534C0492H01	Plate, Bearing	1	
-21	534D0639H01	Piston, Male Balance ★	1	
-22	534D0392H01	Ring, Male ★	1	
-23	534B0239H01	Washer	1	
-24	534C0493C01	Plug, Vapor Injection	1	
-25	534C0569H01	Plug, Liquid Injection	1	
-26	534A0870H01	Key, Anti rotation	2	
-27	534D0408G01	Shim Pack (Male) ▲ ◆	1	
-28	534C2157H01	Shim (Female) ▲ ◆	1	
-29	534A0662H04	Key, Square	1	
-30	534B0004H26	Bearing, Roller, Cylindrical ▲	3	
-31	534B0004H25	Bearing, Roller, Cylindrical ▲	1	
-32	534C0478H05	Bearing, Ball, Angular Contact ▲ ◆	4	
-33	534C0478H07	Bearing, Ball, Angular Contact ▲ ◆	2	

FIG. & INDEX	ITEM NUMBER	DESCRIPTION	QTY.	REV.
-34	534C1147H06	Shaft Seal ●	1	
-35	534A0037H21	Pin, Dowel, 8m6 x 40	3	
-36	534A0251H01	Spring	24	
-37	959A0057H18	Gasket, Flange ■	1	
-38	980A0012H01	O-ring ■	1	
-39	980A0012B90	O-ring ■ ●	1	
-40	980A0012H02	O-ring ■	1	
-41	980A0012H04	O-ring ■ ● ★ *	3	
-42	980A0012H05	O-ring ■	1	
-43	980A0012H03	O-ring ■	1	
-44	980A0012K75	O-ring ■	2	
-45	980A0012K74	O-ring ■	2	
-46	980A0012H06	O-ring ■ ▲ ◆	1	
-47	534A0076H04	Capscrew, Socket Head, 1-8 UNC x 3-1/2" ▲ ◆	1	
-48	901A0222H09	Capscrew, Socket Head, M20 x 75mm	4	
-49	901A0232H12	Capscrew, Socket Head, M24 x 90mm	46	
	111Q0740872	Capscrew, Socket Head, M24 x 100mm	2	
-50	901A0223H09	Capscrew, Socket Head, M16 x 65mm	51	
-51	534A0038H08	Pin, Spring, .250 x .625" ●	1	
-52	534A0038H10	Pin, Spring, .312 x 1.00" ● ★	1	
-53	534A0038H09	Pin, Spring, .187 x .750" ▲ ◆	2	
-54	534A0037H19	Pin, Dowel, 10 x 20mm ★	1	
-55	534A0037H10	Pin, Dowel, 5 x 24mm ★	1	
-56	534A0037H12	Pin, Dowel, 5 x 10mm ●	1	
-57	534A0037H15	Pin, Dowel, 10 x 45mm ▲ ◆	1	
-58	534B0149H01	Pin, Dowel, 20 x 70mm	2	
-59	534B0151H01	Pin, Dowel, 20 x 70mm, Special	2	
-60	534B0244H01	Ring, Retaining ★	1	
-61	534B0174H09	Ring, Retaining ▲	3	
-62	534A0035H13	Locknut	1	
-63	534B0125H13	Lockwasher ▲ ◆	1	
-64	944A0008H04	Plug, Pipe, 1/2-14 NPTF	2	
-65	944A0008H05	Plug, Pipe, 3/4-14 NPTF	4	
-66	534B0325H01	Plug, Orifice, Balance Piston, Booster Application	1	
-67	944A0358H03	Flange, Square, Socket Weld	1	
-68	959A0057H07	Gasket, Flange ■	1	
-69	901A0223H08	Capscrew, Socket Head, M16 x 60mm	4	
-70	534B0426H01	Seal, Lip ● *	1	
-71	333Q0000376	Ring, Retaining ●	1	
-72	980A0012K66	O-ring, Coalescer Bleed Plug, Port SD-1■	1	
-73	980A0012B73	O-ring (5) ■ ▲	2	
-74	980A0012B81	O-ring ■	1	
-75	534B0014H22	Ring, Retaining	2	
-76	901A0196H12	Ring, Lifting	2	
		<b>Recommended Spare Parts/Service Parts Kits</b>		
	534A0919G01	▲ Complete Bearing Kit	1	
	534M0027G02	◆ Thrust Bearing Kit <sup>(1)</sup>	1	
	534M0027G03	■ O-ring and Gasket Kit <sup>(2)</sup>	1	
	534M0163G05	● Shaft Seal Kit <sup>(3)</sup>	1	
	534M0557G05	★ Balance Piston Kit	1	
	534M0280G01	* Lip Seal Kit <sup>(4)</sup>	1	
	534A0213G01	Compressor Tool Kit (For Disassembly/Assembly)	1	

(1) Thrust Bearing Kit items are included in Complete Bearing Kit.

(2) O-ring and Gasket Kit also contains appropriate suction and discharge gaskets.

(3) Shaft Seal Kit contains seal installation tools.

(4) Lip Seal Kit items are included in Lip Seal Kit. For models made prior to lip seal installation, use Lip Seal Retrofit Kit 534D0768G01.

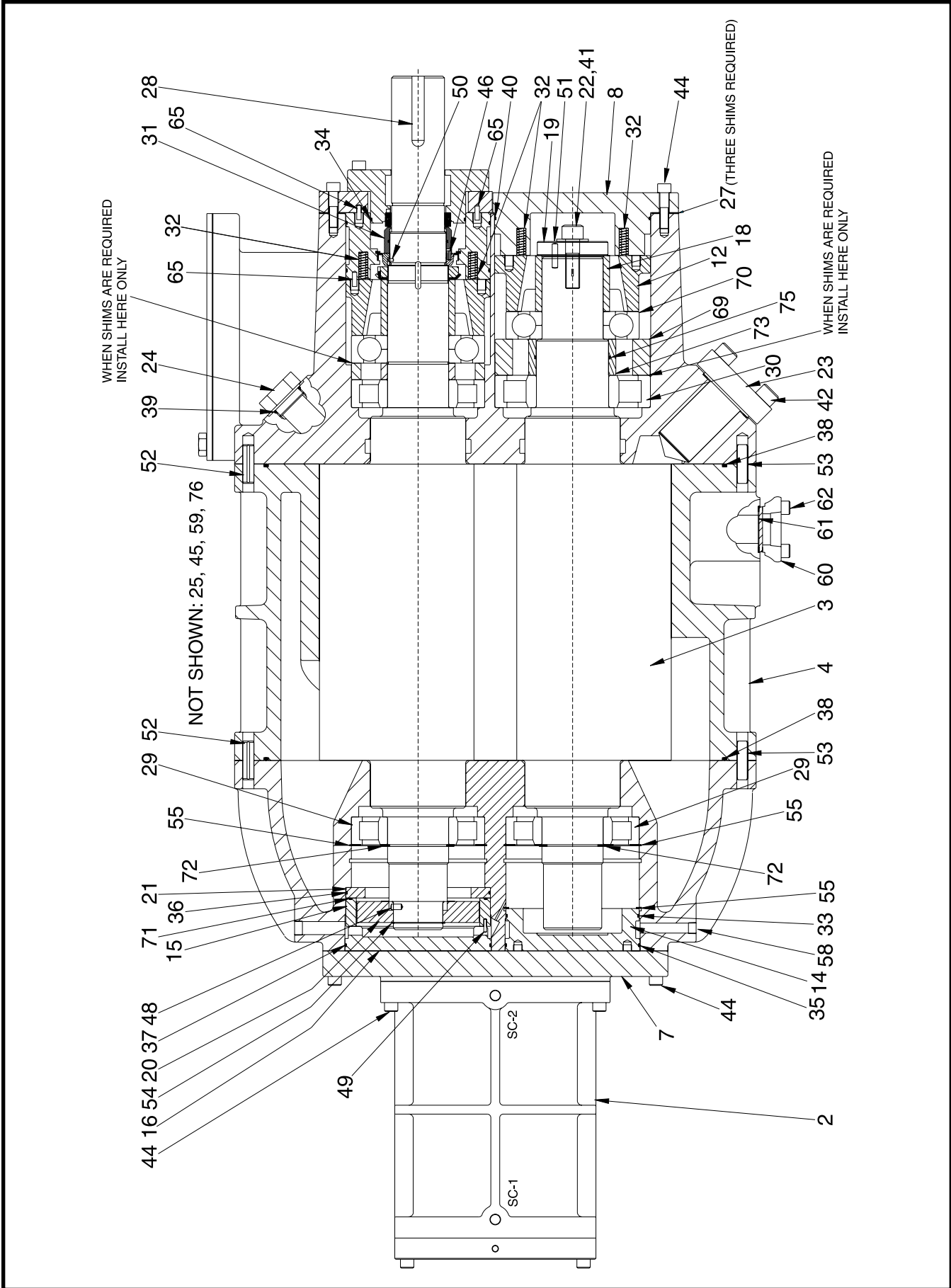
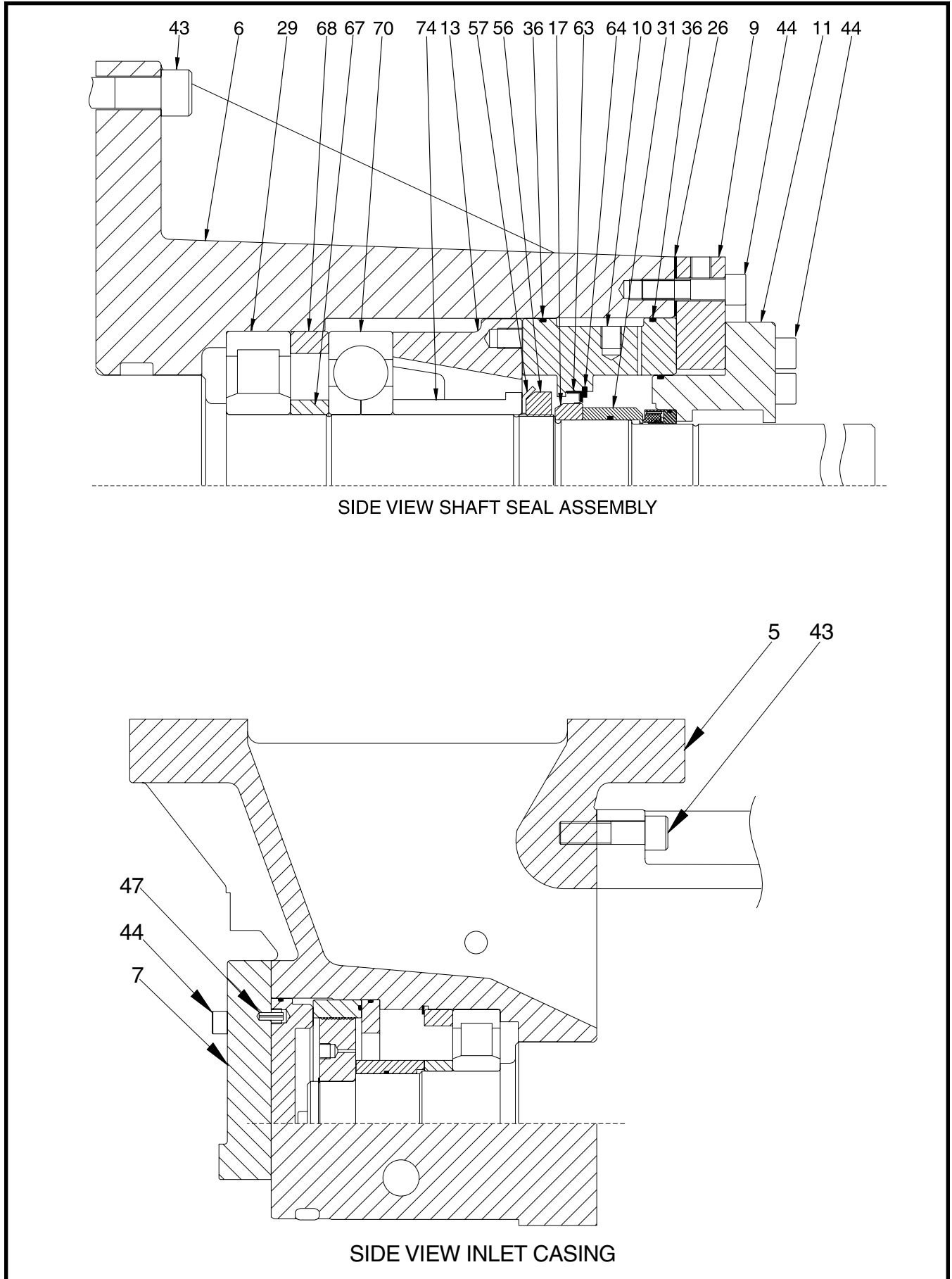


Figure 14a. Screw Compressor, TDSB 355.



SIDE VIEW SHAFT SEAL ASSEMBLY

SIDE VIEW INLET CASING

Figure 14b. Screw Compressor, TDSB 355.

FIG. & INDEX	ITEM NUMBER	DESCRIPTION	QTY.	REV.
14-	534E0645	TDSB 355S/L/XL, Screw Compressor, New	Ref.	V
-1	-	Slide Stop Indication Assembly (See Figure 17)	Ref.	
-2	-	Slide Valve/Stop Assembly (See Figure 15 & 16)	Ref.	
-3	534A0836G02	Rotor Pair, TDSB 355L	1	
	534A0837G02	Rotor Pair, TDSB 355S	1	
	534A0838G02	Rotor Pair, TDSB 355XL	1	
-4	534D0407G02	Casing, Rotor, TDSB 355S	1	
	534C0194H42	Plug, Pipe, 1/2 NPTF w/.210" Orifice	1	
	534C0194H53	Plug, Pipe, 1-1/4 NPTF w/.500" Orifice (Port SB-2)	1	
	534D0407G03	Casing, Rotor, TDSB 355L	1	
	534C0194H42	Plug, Pipe, 1/2 NPTF w/.210" Orifice	1	
	534C0194H52	Plug, Pipe, 1-1/4NPTF w/.609" Orifice (Port SB-2)	1	
	534D0407G04	Casing, Rotor, TDSB 355XL	1	
	534C0194H42	Plug, Pipe, 1/2 NPTF w/.210" Orifice	1	
	534C0194H51	Plug, Pipe, 1-1/4 NPTF w/.709" Orifice (Port SB-2)	1	
-5	534D1606C01	Casing, Inlet	1	
-6	534E1076C01	Casing, Discharge	1	
-7	534D0370C01	Cover, Inlet	1	
-8	534D1402C01	Cover, Outlet	1	
-9	534D1400C01	Cover, Seal Housing	1	
-10	534D1401C01	Spacer, Seal Housing	1	
-11	534D0766C01	Cover, Housing	1	
-12	534D1135C02	Spacer, Bearing Preload (Female)	1	
-13	534C1135C01	Spacer, Bearing Preload (Male)	1	
-14	534D0375C01	Cover, Female Inlet Bore	1	
-15	534D0391C01	Sleeve, Male Balance Piston ★	1	
-16	534D0374C01	Cover, Male Inlet Bore	1	
-17	534C0487H01	Ring, Seal Distance	1	
-18	534B0651H01	Spacer, Bearing	1	
-19	534C0492H01	Plate, Bearing	1	
-20	534D0639H01	Piston, Male Balance ★	1	
-21	534D0392H01	Ring, Male ★	1	
-22	534B0239H01	Washer	1	
-23	534C0493C01	Plug, Vapor Injection (Port SV-1)	1	
	959A0057H18	Gasket, Flange	1	
-24	534C0569H01	Plug, Liquid Injection (Port SL-2)	1	
-25	534C0570H01	Plug, Liquid Injection, not shown (Port SL-1)	1	
-26	534D0408G01	Shim Pack, Male	1	
-27	534C2157H01	Shim, Female	1	
-28	534A0662H04	Key, Square	1	
-29	534B0004H34	Bearing, Roller, Cylindrical	3	
-30	534B0004H33	Bearing, Roller, Cylindrical	1	
-31	534C1147H06	Shaft Seal ●	1	
-32	534A0251H01	Spring	24	
-33	980A0012H01	O-ring ■	1	
-34	980A0012B90	O-ring ■●	1	
-35	980A0012H02	O-ring ■	1	
-36	980A0012H04	O-ring ■● ★ *	5	
-37	980A0012H05	O-ring ■	1	
-38	980A0012K75	O-ring ■	2	
-39	980A0012K74	O-ring ■	2	
-40	980A0012H06	O-ring ■	1	

FIG. & INDEX	ITEM NUMBER	DESCRIPTION	QTY.	REV.
-41	534A0076H04	Capscrew, Socket Head, 1-8 UNC x 3-1/2"	1	
-42	901A0222H09	Capscrew, Socket Head, M20 x 75mm	4	
-43	901A0232H12	Capscrew, Socket Head, M24 x 90mm	46	
-44	901A0223H09	Capscrew, Socket Head, M16 x 65mm	65	
-45	111Q0740872	Capscrew, Socket Head, M24 x 100mm	2	
-46	540A0038H08	Pin, Spring, .250 x .625" ●	1	
-47	540A0038H10	Pin, Spring, .312 x 1.00" ● ★	1	
-48	534A0037H19	Pin, Dowel, 10 x 20mm ★	1	
-49	534A0037H10	Pin, Dowel, 5 x 24mm ★	1	
-50	534A0037H12	Pin, Dowel, 5 x 10mm ●	1	
-51	534A0037H15	Pin, Dowel, 10 x 45mm	1	
-52	534B0149H01	Pin, Dowel, 20 x 70mm	2	
-53	534B0151H01	Pin, Dowel, 20 x 70mm, Special	2	
-54	534B0244H01	Ring, Retaining ★	1	
-55	534B0174H09	Ring, Retaining	3	
-56	534A0035H13	Locknut	1	
-57	534B0125H13	Lockwasher	1	
-58	944A0008H04	Plug, Pipe, 1/2-14 NPTF	6	
-59	944A0008H05	Plug, Pipe, 3/4-14 NPTF	4	
-60	944A0356H03	Flange	1	
-61	959A0057H07	Gasket, Flange ■	1	
-62	901A0223H08	Capscrew, Socket Head, M16 x 60mm	4	
-63	534B0426H01	Seal, Lip ● ★	1	
-64	333Q0000376	Ring, Retaining ●	1	
-65	534A0037H21	Pin, Dowel, 8m6 x 40	3	
-66	-			
-67	534B0652H01	Spacer, Bearing	3	
-68	534B0653H01	Spacer, Bearing	3	
-69	534D1137H01	Spacer, Bearing	1	
-70	534B0101H28	Bearing, Ball, Four Point Contact	2	
-71	980A0012H03	O-ring	2	
-72	534B0014H22	Ring, Retaining	2	
-73	534C1587H02	Spacer, Bearing	1	
-74	534C1568H01	Spacer, Bearing	1	
-75	980A0012B81	O-ring	1	
-76	901A0196H12	Ring, Lifting	2	
		<b>Recommended Spare Parts/Service Parts Kits</b>		
	534A0920G01	▲ Complete Bearing Kit	1	
	N/A	◆ Thrust Bearing Kit <sup>(4)</sup>		
	534M0027G03	■ O-ring and Gasket Kit <sup>(1)</sup>	1	
	534M0163G05	● Shaft Seal Kit <sup>(2)</sup>	1	
	534M0557G05	★ Balance Piston Kit	1	
	534M0280G01	* Lip Seal Kit <sup>(3)</sup>	1	
	534A0213G01	Compressor Tool Kit (For Disassembly/Assembly)	1	

(1) O-ring and Gasket Kit also contains appropriate suction and discharge gaskets.  
(2) Shaft Seal Kit contains seal installation tools.  
(3) Lip Seal Kit items are included in Shaft Seal Kit.  
(4) No Kit. Order two each 534B0101H28 Bearings.

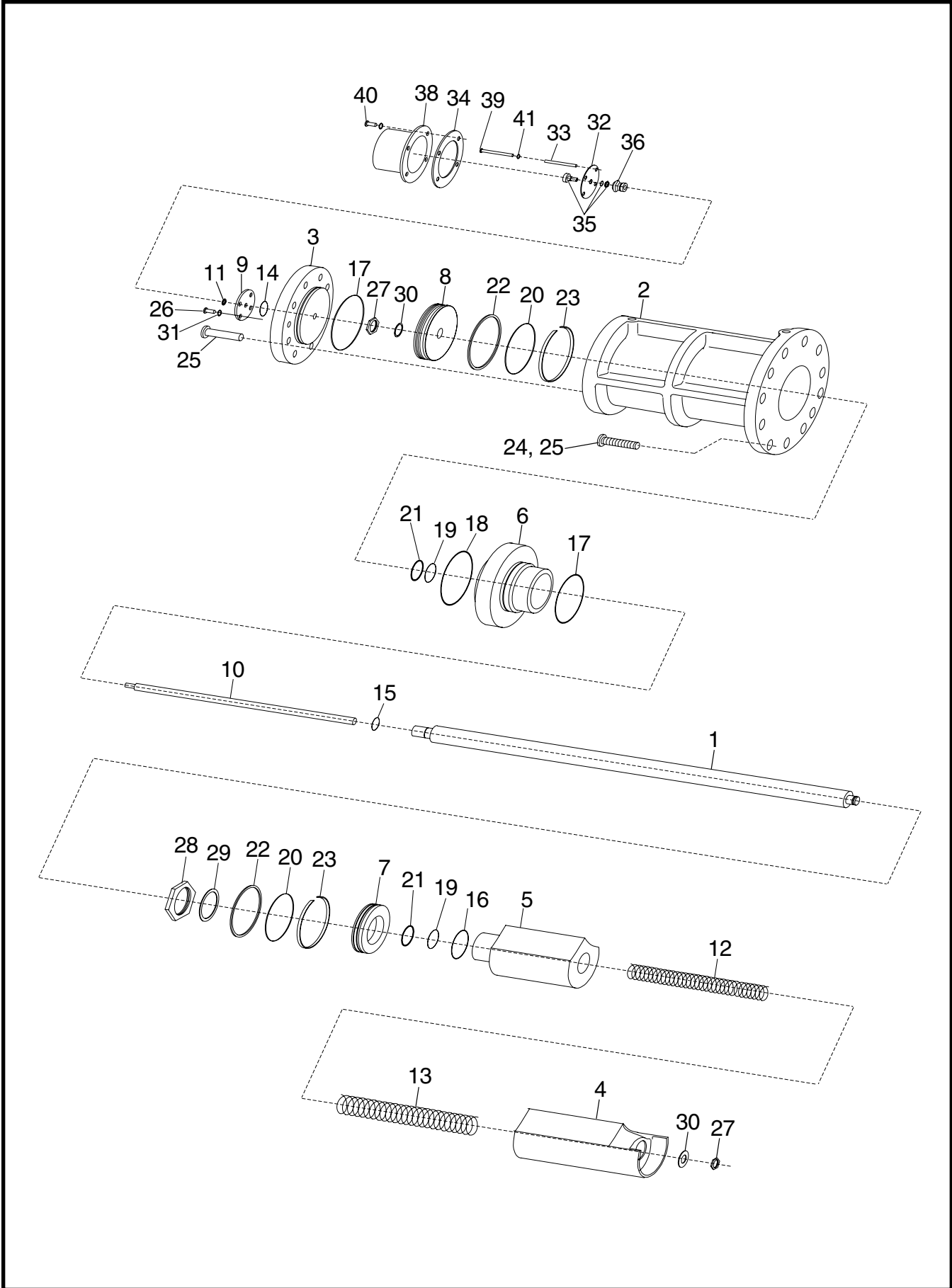


Figure 15. Slide Valve/Stop Assembly, TDSH/TDSB 355.

FIG. & INDEX	ITEM NUMBER	DESCRIPTION	QTY.	REV.
15-	534E0309 534E0645	TDSH 355 Slide Valve/Stop Assembly TDSB 355 Slide Valve/Stop Assembly	Ref. Ref.	AM U
-1	534D0464G13 534D0464G14 534D0464G15	Assembly, Spindle, TDSH/TDSB 355S, and Booster Assembly, Spindle, TDSH/TDSB 355L, and Booster Assembly, Spindle, TDSH 355XL, and Booster	1 1 1	
-2	534E0683C01	Cylinder	1	
-3	534D0369C01	Cover, Cylinder	1	
-4	534D0365C01 534D0429C01 534D0859C01	Valve, Slide, TDSH/TDSB 355L, and Booster Valve, Slide, TDSH/TDSB 355S, and Booster Valve, Slide, TDSH/TDSB 355XL, and Booster	1 1 1	
-5	534D0366C01 534D0430C01 534D0861C01	Stop, Slide, TDSH/TDSB 355L, and Booster Stop, Slide, TDSH/TDSB 355S, and Booster Stop, Slide, TDSH/TDSB 355XL, and Booster	1 1 1	
-6	534D0373C01 534D0862C01	Cover, Slide Stop, TDSH/TDSB 355S/L, and Booster Cover, Slide Stop, TDSH/TDSB 355XL, and Booster	1 1	
-7	534D0367C01 534D0431C01	Piston, Slide Stop, TDSH/TDSB 355L/XL, and Booster Piston, Slide Stop, TDSH/TDSB 355S, and Booster	1 1	
-8	534D0368C01	Piston, Spindle	1	
-9	534B0112H01	Plate, Backing	1	
-10	534C1356H01 534C1356H02 534C1356H03	Shaft, Potentiometer, TDSH/TDSB 355S, and Booster Shaft, Potentiometer, TDSH/TDSB 355L, and Booster Shaft, Potentiometer, TDSH/TDSB 355XL, and Booster	1 1 1	
-11	534B0182H01	Collar, Clamp	1	
-12	534B0240H01 534B0249H01	Spring, Unloader, TDSH/TDSB 355L/XL, and Booster Spring, Unloader, TDSH/TDSB 355S, and Booster	1 1	
-13	534B0242H01 534B0250H01	Spring, Unloader, TDSH/TDSB 355L/XL, and Booster Spring, Unloader, TDSH/TDSB 355S, and Booster	1 1	
-14	980A0012A67	O-ring ■	1	
-15	980A0012A79	O-ring ■	1	
-16	980A0012B04	O-ring ■	1	
-17	980A0012H04	O-ring ■	2	
-18	980A0012H03	O-ring ■	1	
-19	980A0012H41	O-ring ■	2	
-20	980A0012H81	O-ring ■	2	
-21	534B0006H07	Seal, Rod ■	2	
-22	534C0187H11	Glyd Ring ■	2	
-23	534C0510H01	Slyd Ring ■	2	
-24	901A0223H16	Capscrew, Socket Head, M16 x 120mm	10	
-25	901A0223H09	Capscrew, Socket Head, M16 x 65mm	14	
-26	901A0225H05	Capscrew, Socket Head, M5 x 16mm	4	
-27	534B0910H04	Locknut ■	2	
-28	534A0035H09	Locknut	1	
-29	534B0125H09	Lockwasher ■	1	
-30	534B0125H14	Lockwasher ■	1	
-31	905A0021H08 534D0523G01	Lockwasher Slide Valve Indication Mechanism	4 Ref.	
-32	534B0294H01	Plate, Mounting*	1	
-33	534A0263H01	Support, Tubing*	4	
-34	534A0046H01	Gasket* ■	1	
-35	534B0501H01	Potentiometer*	1	
-36	111Q0451313	Coupling, Flexible*	1	
-38	534B0062C01	Box, Cover	1	
-39	111Q0740729	Capscrew, Socket Head, M5 x 60mm	4	
-40	111Q0740728	Capscrew, Socket Head, M6 x 16mm	4	
-41	905A0021H08	Lockwasher, 5mm	4	
*	534D0523G02	Slide Valve Potentiometer Kit (also replaces Maury potentiometer)	1	

■ Item included in O-ring and Gasket Kit. See pages 39 and 43.



FIG. & INDEX	ITEM NUMBER	DESCRIPTION	QTY.	REV.
16-	534E0532	TDSH 355 Slide Valve/Stop Assembly, Handwheel	Ref.	V
-1	534E0175C01	Cylinder	1	
-2	534D0429C01	Valve, Slide, TDSH 355S	1	
	534D0365C01	Valve, Slide, TDSH 355L	1	
	534D0859C01	Valve, Slide, TDSH 355XL	1	
-3	534D0430C01	Stop, Slide, TDSH 355S	1	
	534D0366C01	Stop, Slide, TDSH 355L	1	
	534D0861C01	Stop, Slide, TDSH 355XL	1	
-4	534D0373C01	Cover, Slide Stop, TDSH 355S/L	1	
	534D0862C01	Cover, Slide Stop, TDSH 355XL	1	
-5	534D0431C01	Piston, Slide Stop, TDSH 355S	1	
	534D0367C01	Piston, Slide Stop, TDSH 355L/XL	1	
-6	534B0249H01	Spring, Unloader, TDSH 355S	1	
	534B0240H01	Spring, Unloader, TDSH 355L/XL	1	
-7	534B0250H01	Spring, Unloader, TDSH 355S	1	
	534B0242H01	Spring, Unloader, TDSH 355L/XL	1	
-8	980A0012B04	O-ring ■	1	
-9	980A0012H04	O-ring ■	2	
-10	980A0012H03	O-ring ■	2	
-11	980A0012H41	O-ring ■	2	
-12	980A0012H81	O-ring ■	1	
-13	534B0006H07	Seal, Rod ■	2	
-14	534C0187H11	Ring, Glyd ■	1	
-15	534C0510H01	Ring, Slyd ■	1	
-16	901A0223H09	Capscrew, Socket Head, M16 x 65mm	17	
-17	534A0226H04	Locknut ■	1	
-18	534A0035H09	Locknut	2	
-19	534B0125H09	Lockwasher ■	2	
-20	534B0125H14	Lockwasher ■	1	
-21	944A0008H04	Plug, Pipe, 1/2-14 NPTF	2	
-22	534D0933H01	Spindle, TDSH 355S	1	
	534D0927H01	Spindle, TDSH 355L/XL	1	
-23	333Q0000884	Capscrew, Socket Head, M8 x 16mm	8	
-24	534C1056H01	Nut, Special	1	
-25	534D0926C01	Housing, Bearing	1	B
-26	534C1170H01	Bearing, Angular Contact	2	
-27	534C1071G01	Assembly, Shaft	1	B
-28	534B0520H01	Washer, Spring	1	
-29	534B0521H01	Spacer	1	
-30	534D0913C01	Cover, Housing	1	B
-31	333Q0000801	O-ring ■	2	
-32	111Q0740776	Capscrew, Socket Head, M16 x 100mm	8	
-33	534A0037H02	Pin, Antirotation	1	
-34	534C0453H29	Spacer, TDSH 355S	1	
	534C0453H32	Spacer, TDSH 355L	1	
	534C0453H35	Spacer, TDSH 355XL	1	
-35	901A0223H16	Capscrew, Socket Head, M16 x 120mm		
		Not Shown:		
-36	581B0001H07	Wheel, Hand	1	
-37	901A0046D01	Bolt, Hex Head, 5/8-11 x 1"	1	
-38	111Q0940055	Washer	1	
-39	581A0011H04	Washer, Spring	1	

■ Item included in O-ring and Gasket Kit. See page 39.

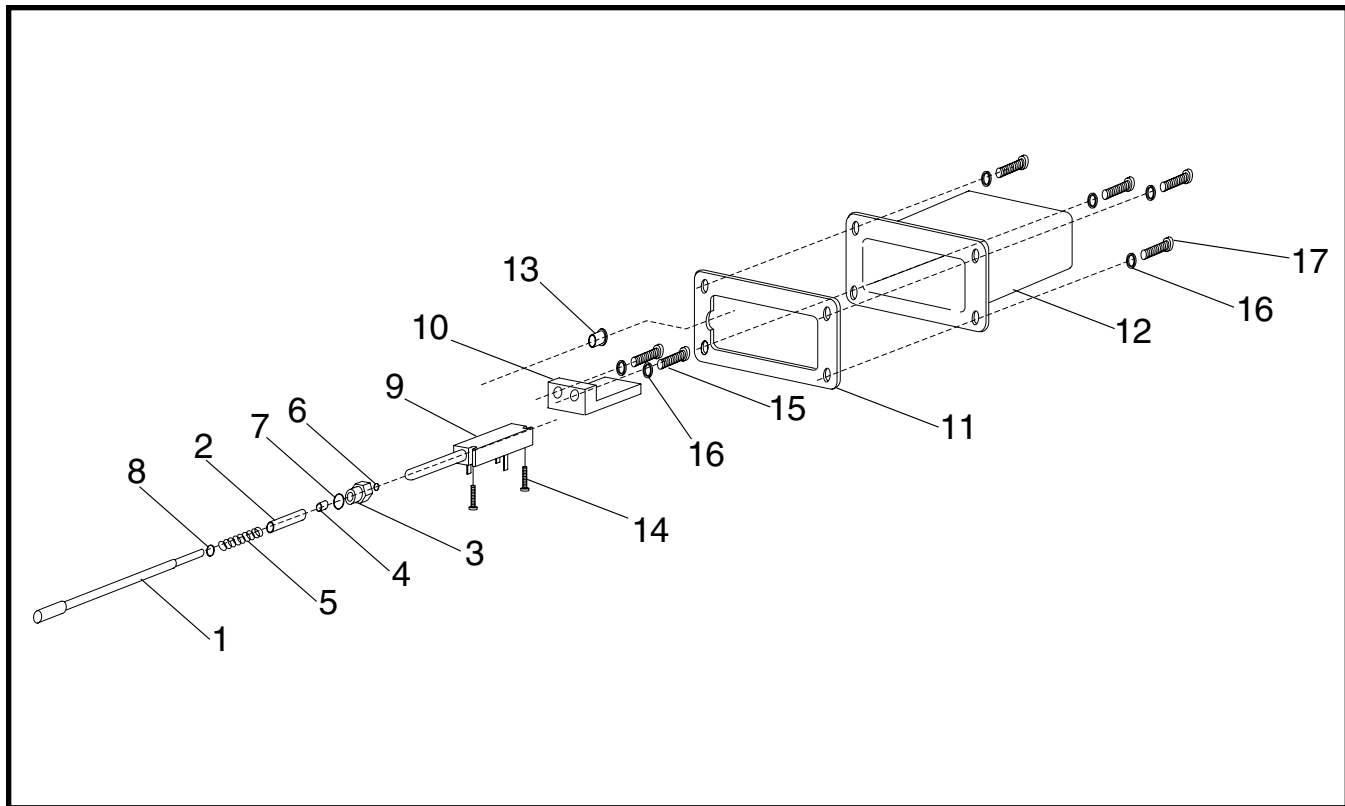


Figure 17. Slide Stop Indication Assembly, Potentiometer, TDSH 163-355 Models.

FIG. & INDEX	ITEM NUMBER	DESCRIPTION	QTY.	REV.
17-	-	TDSB/TDSH 163-355 Slide Stop Indicator	Ref.	
-1	534B0055G01	Assembly, Indicator Rod, TDSH 163	1	
	534B0055G02	Assembly, Indicator Rod, TDSH 193	1	
	534B0055G03	Assembly, Indicator Rod, TDSH 233	1	
	534B0055G04	Assembly, Indicator Rod, TDSH 283	1	
	534B0055G05	Assembly, Indicator Rod, TDSH 355	1	
-2	534A0031H01	Spacer	1	
-3	534A0034H01	Plug, Seal	1	
-4	534A0033H01	Bearing ■	1	
-5	534A0032H02	Spring	1	
-6	980A0012A11	O-ring ■	1	
-7	980A0012K62	O-ring ■	1	
-8	534B0015H06	Ring, Retaining ■	1	
	534D0363G01	Slide Stop Indication Mechanism	Ref.	
-9	534B0293H01	Potentiometer*	1	
-10	534B0283H01	Support, Potentiometer*	1	
-11	534B0110H01	Gasket ■	1	
-12	534C0432C01	Cover	1	
-13	534C0096H13	Bushing	1	
-14	111Q0740784	Screw, Machine, #1-72 UNF x 1/2" *	2	
-15	901A0085H19	Capscrew, Socket Head, M8 x 30mm*	2	
-16	534C0096H05	Lockwasher, 8mm	6	
-17	901A0085H04	Capscrew, Socket Head, M8 x 20mm	4	
*	111Q0041148	Slide Stop Potentiometer Kit	1	

■ Item included in O-ring and Gasket Kit.

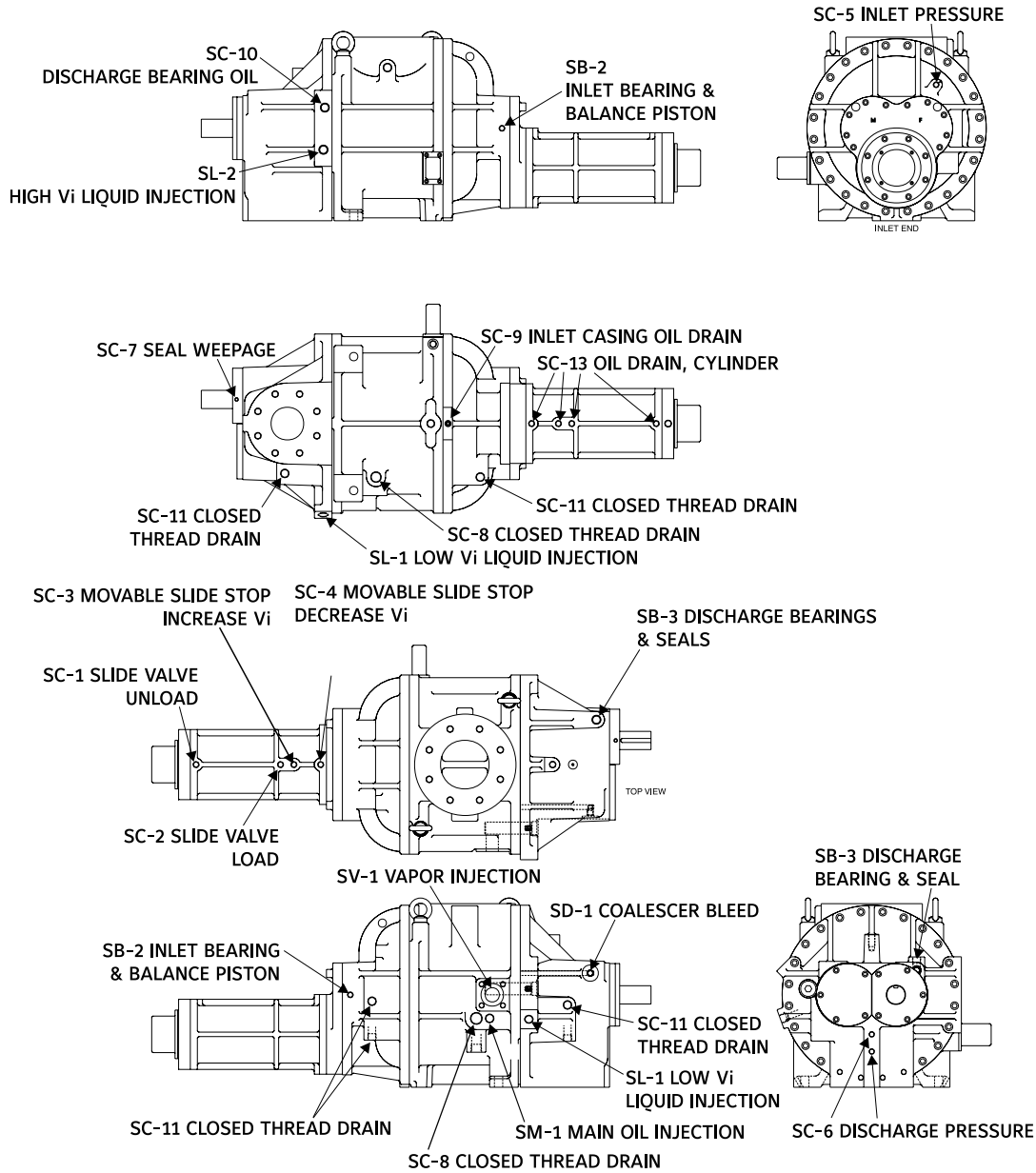
FRICK COMPRESSOR OILS			
Number	5 Gallon	55 Gallon	330 Gallon
2A	111Q0550019	111Q0550020	333Q0001866
3	111Q0550001	111Q0550010	333Q0001861
4	-	111Q0550005	-
5	111Q0550008	111Q0550009	-
6	333Q0000940	333Q0000941	-
7	111Q0550024	111Q0550025	-
9	333Q0000850	333Q0000849	333Q0001862
9ST	333Q0001905	333Q0001904	-
10	333Q0000740	333Q0000739	-
11	333Q0000852	333Q0000851	333Q0001863
11ST	333Q0001907	333Q0001906	-
12	333Q0001141	333Q0001142	-
12B	333Q0001883	333Q0001884	-
13	333Q0001253	333Q0001254	-
14	333Q0001144	333Q0001145	-
18	-	333Q0001892	-
19	333Q0001900	333Q0001899	-
20	333Q0001903	333Q0001902	-
NG 1	-	333Q0001850	-
NG 2	-	333Q0001851	-
NG 3	-	333Q0001852	-

Oil Analysis Kit - 333Q0001853  
Tube of ODP Motor Grease - 333Q0001860

FRICK BLUE PAINT	
Size Each	Part Number
1 PT.	993A0001H01*
1 GAL.	333Q0000404
2 GAL.	333Q0000724**

\* Spray Can

\*\* Matte finish epoxy paint. One gallon each of resin and cure that require mixing.



SYMBOL	SIZE	DESCRIPTION
SB-2	3/8-18 NPTF	INLET BEARING & BALANCE PISTON
SB-3	3/4-14 NPTF	DISCHARGE BEARINGS & SEAL
SC-1	3/8-18 NPTF	SLIDE VALVE - UNLOAD
SC-2	3/8-18 NPTF	SLIDE VALVE - LOAD
SC-3	3/8-18 NPTF	MOVABLE SLIDE STOP - INCREASE Vi
SC-4	3/8-18 NPTF	MOVABLE SLIDE STOP - DECREASE Vi
SC-5	3/8-18 NPTF	INLET PRESSURE
SC-6	3/8-18 NPTF	DISCHARGE PRESSURE
SC-7	1/8-27 NPTF	SEAL WEEPAGE
SC-8	1 11-1/2 NPTF	CLOSED THREAD DRAIN
SC-9	3/8-18 NPTF	INLET CASING OIL DRAIN
SC-10	3/4-14 NPTF	DISCHARGE BEARING OIL
SC-11	3/4-14 NPTF	CLOSED THREAD DRAIN
SC-13	3/8-18 NPTF	OIL DRAIN - CYLINDER
SD-1	3/4-16 UNF-2B	COALESCER BLEED (STD. THD. / O-RING P/N 980A0012K62)
SL-1	3/4-14 NPTF	LOW Vi LIQUID INJECTION
SL-2	3/4-14 NPTF	HIGH Vi LIQUID INJECTION
SM-1	3/4-14 NPTF	MAIN OIL INJECTION
SV-1	1 1/2 SO FLANGE	VAPOR INJECTION - TONGUE & GROOVE

Figure 18. 163 / 193 Compressor Port Locations.

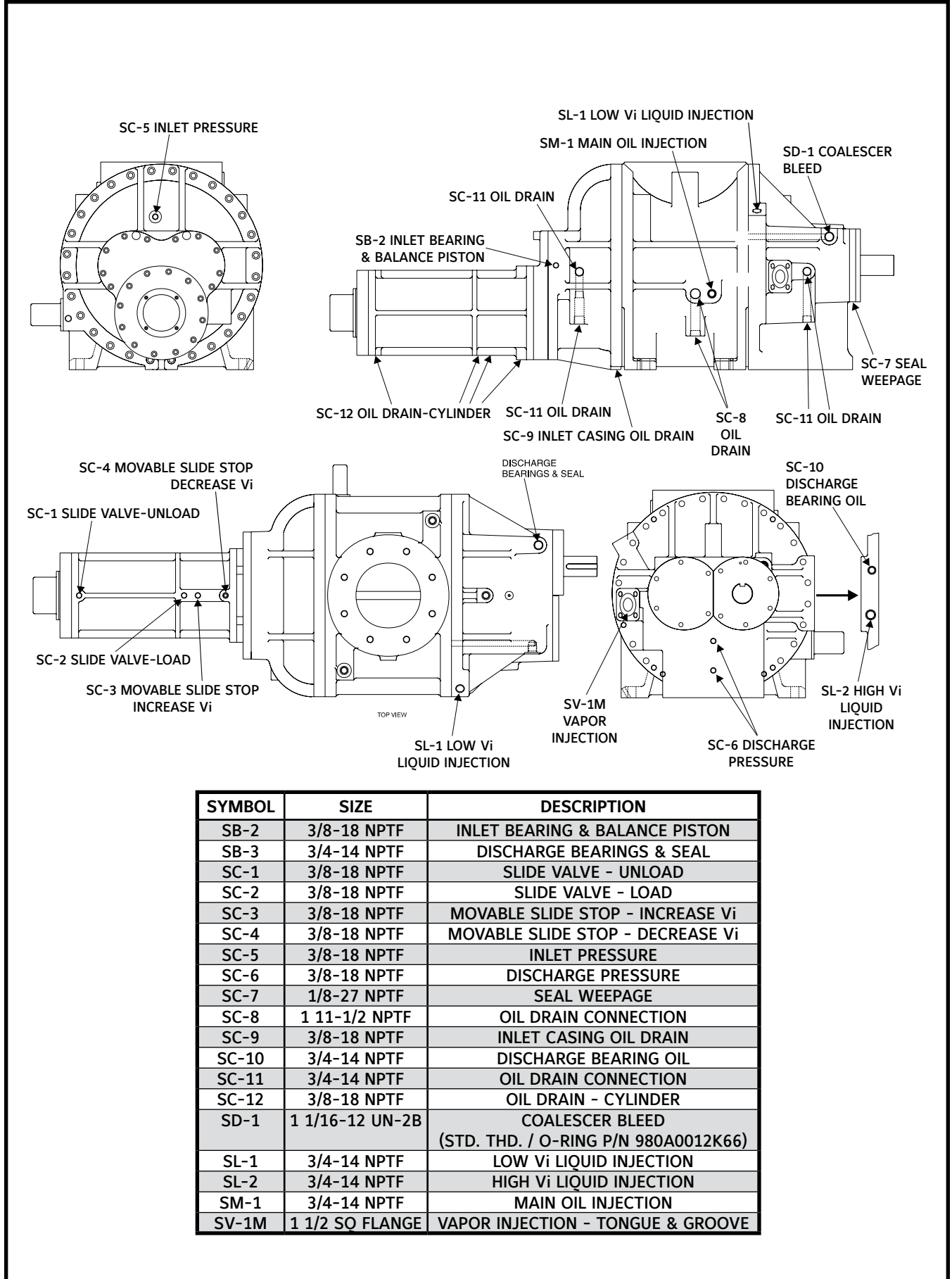
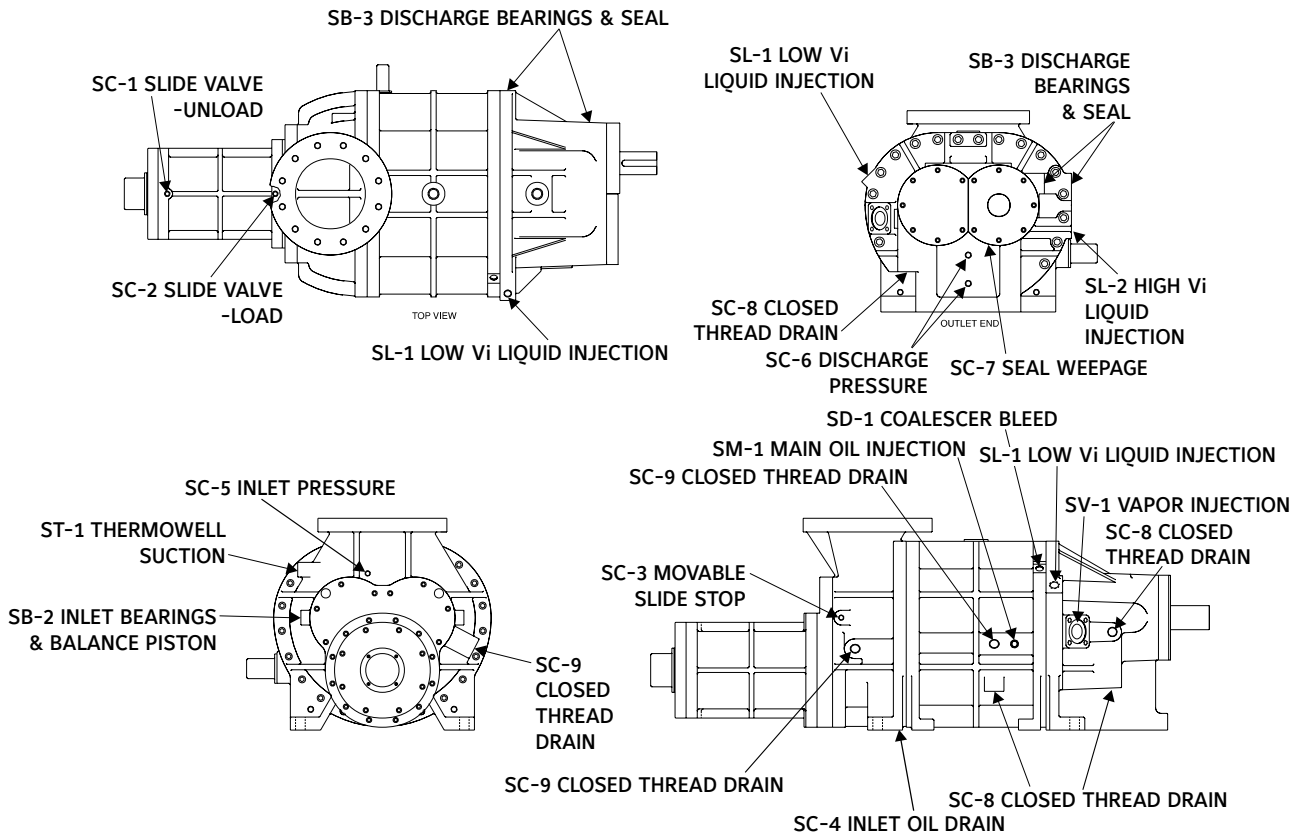


Figure 19. 233 Compressor Port Locations.



SYMBOL	SIZE	DESCRIPTION
SB-2	3/4-14 NPTF	INLET BEARING & BALANCE PISTON
SB-3	1 11-1/2 NPTF	DISCHARGE BEARINGS & SEAL
SC-1	3/8-18 NPTF	SLIDE VALVE - UNLOAD
SC-2	3/8-18 NPTF	SLIDE VALVE - LOAD
SC-3	3/8-18 NPTF	MOVABLE SLIDE STOP
SC-4	1/2-14 NPTF	INLET OIL DRAIN
SC-5	3/8-18 NPTF	INLET PRESSURE
SC-6	3/8-18 NPTF	DISCHARGE PRESSURE
SC-7	1/8-27 NPTF	SEAL WEEPAGE
SC-8	1 11-1/2 NPTF	CLOSED THREAD DRAIN
SC-9	1 1/4 11-1/2 NPTF	CLOSED THREAD DRAIN
SD-1	1 1/16-12 UN-2B	COALESCER BLEED (STD. THD. / O-RING P/N 980A0012K66)
SL-1	1 11-1/2 NPTF	LOW Vi LIQUID INJECTION
SL-2	1 11-1/2 NPTF	HIGH Vi LIQUID INJECTION
SM-1	1 11-1/2 NPTF	MAIN OIL INJECTION
ST-1	2 SQ FLANGE	VAPOR INJECTION - TONGUE & GROOVE

Figure 20. 283 Compressor Port Locations.

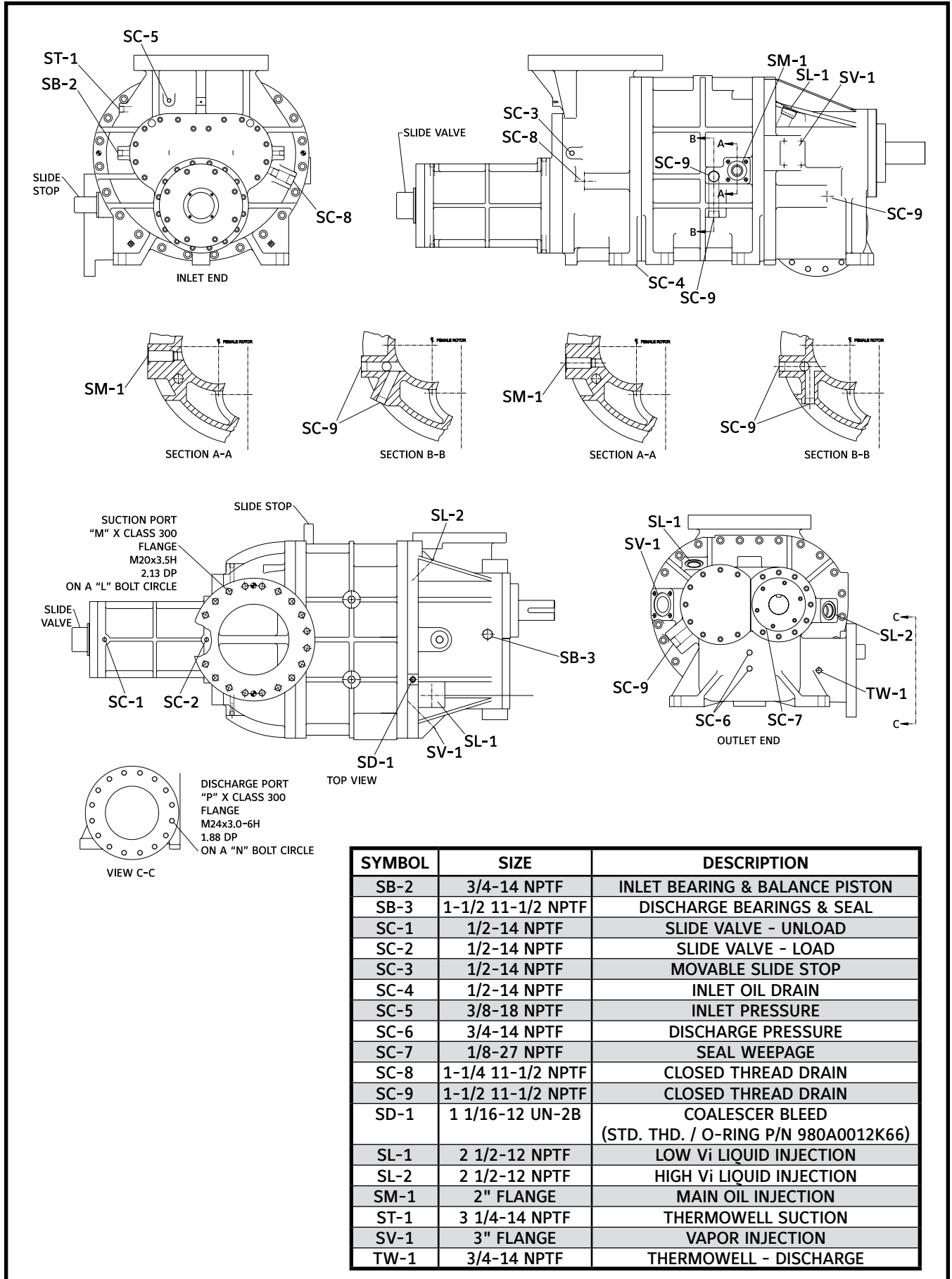


Figure 21. 355 Compressor Port Locations.

ITEM NUMBER	FIG. & INDEX NO.	ITEM NUMBER	FIG. & INDEX NO.	ITEM NUMBER	FIG. & INDEX NO.
111Q0451313	2-40	333Q0000800	9-38	534A0038H02	1-42
111Q0451313	5-40	333Q0000801	12-33	534A0038H02	4-42
111Q0451313	8-41	333Q0000801	16-31	534A0038H02	7-42
111Q0451313	11-39	333Q0000802	9-36	534A0038H05	1-43
111Q0451313	15-36	333Q0000884	16-23	534A0038H05	4-43
111Q0740253	10-38	333Q0001219	10-9	534A0038H05	7-43
111Q0740722	4-34	534A0031H01	17-2	534A0038H08	7-41
111Q0740723	2-17	534A0032H02	17-5	534A0038H08	10-43
111Q0740723	3-9	534A0033H01	17-4	534A0038H08	13-51
111Q0740723	4-33	534A0034H01	17-3	534A0038H09	13-53
111Q0740723	6-9	534A0035H02	2-31	534A0038H10	10-44
111Q0740723	7-57	534A0035H02	3-21	534A0038H10	13-52
111Q0740723	5-17	534A0035H02	5-31	534A0046H01	2-38
111Q0740728	2-43	534A0035H02	6-20	534A0046H01	5-38
111Q0740728	5-43	534A0035H03	4-53	534A0046H01	8-39
111Q0740728	8-44	534A0035H04	1-53	534A0046H01	11-37
111Q0740728	11-42	534A0035H05	7-53	534A0046H01	15-34
111Q0740728	15-40	534A0035H05	9-22	534A0073G02	4-3
111Q0740729	2-42	534A0035H07	8-32	534A0074G02	4-3
111Q0740729	5-42	534A0035H07	9-21	534A0076H01	1-38
111Q0740729	8-43	534A0035H08	11-31	534A0076H01	4-37
111Q0740729	11-41	534A0035H08	12-18	534A0076H02	7-35
111Q0740729	15-39	534A0035H09	12-27	534A0076H02	10-42
111Q0740730	2-16	534A0035H09	15-28	534A0076H04	13-47
111Q0740730	5-16	534A0035H09	16-18	534A0076H04	14-41
111Q0740737	7-33	534A0035H13	13-62	534A0082G02	1-3
111Q0740738	1-35	534A0035H13	14-56	534A0083G02	1-3
111Q0740738	7-31	534A0035H14	10-52	534A0087G02	7-3
111Q0740738	8-18	534A0037H02	1-44	534A0088G01	10-3
111Q0740739	1-36	534A0037H02	3-17	534A0089G01	10-3
111Q0740739	4-35	534A0037H02	7-44	534A0219H01	1-58
111Q0740739	7-32	534A0037H02	9-40	534A0219H01	4-58
111Q0740739	9-9	534A0037H02	16-33	534A0226H04	16-17
111Q0740742	1-37	534A0037H03	4-44	534A0251H01	13-36
111Q0740742	4-36	534A0037H03	10-45	534A0251H01	14-32
111Q0740742	7-34	534A0037H10	13-55	534A0259G02	10-3
111Q0740743	1-37	534A0037H10	14-49	534A0263H01	2-37
111Q0740743	4-36	534A0037H12	1-45	534A0263H01	5-37
111Q0740743	10-39	534A0037H12	4-45	534A0263H01	8-38
111Q0740743	11-28	534A0037H12	7-45	534A0263H01	11-36
111Q0740743	12-16	534A0037H12	10-46	534A0263H01	15-33
111Q0740747	12-32	534A0037H12	13-56	534A0324G02	10-3
111Q0740776	16-32	534A0037H12	14-50	534A0331G02	10-3
111Q0740784	17-14	534A0037H13	1-46	534A0446H01	1-57
111Q0740872	13-49	534A0037H14	4-46	534A0499G02	7-3
111Q0740872	14-45	534A0037H15	7-46	534A0518H01	3-30
111Q0940051	9-44	534A0037H15	10-47	534A0518H01	3-30
111Q0940055	16-38	534A0037H15	13-57	534A0518H01	6-29
111Q0940128	2-33	534A0037H15	14-51	534A0519H01	3-32
111Q0940128	5-33	534A0037H19	13-54	534A0519H01	6-31
333Q0000376	13-71	534A0037H19	14-48	534A0520H01	3-33
333Q0000376	14-64	534A0037H21	13-35	534A0520H01	6-32
333Q0000800	3-37	534A0037H21	14-65	534A0528H01	12-25
333Q0000800	6-36	534A0038H01	4-41	534A0533H01	9-34

ITEM NUMBER	FIG. & INDEX NO.	ITEM NUMBER	FIG. & INDEX NO.	ITEM NUMBER	FIG. & INDEX NO.
534A0541H01	3—36	534B0014H12	10—51	534B0101H22	7—30
534A0541H01	6—35	534B0014H13	10—50	534B0101H25	1—33
534A0541H01	9—37	534B0014H14	8—30	534B0101H26	10—28
534A0541H01	12—31	534B0014H14	9—19	534B0101H28	14—70
534A0644G02	10—3	534B0014H22	13—75	534B0102H01	1—49
534A0662H01	1—29	534B0014H22	14—72	534B0102H02	1—50
534A0662H02	4—27	534B0015H01	5—29	534B0102H04	4—49
534A0662H03	7—26	534B0015H01	6—18	534B0102H05	4—50
534A0662H04	10—24	534B0015H06	17—8	534B0102H06	7—49
534A0662H04	13—29	534B0020H01	6—17	534B0102H06	10—30
534A0662H04	14—28	534B0024H01	4—11	534B0102H07	7—50
534A0836G02	13—3	534B0034H01	1—12	534B0102H08	10—31
534A0836G02	14—3	534B0036H01	2—28	534B0103H01	1—19
534A0837G02	13—3	534B0036H01	3—18	534B0103H01	4—17
534A0837G02	14—3	534B0038H01	2—28	534B0103H01	7—16
534A0838G02	13—3	534B0038H01	3—18	534B0103H01	10—23
534A0838G02	14—3	534B0038H01	6—17	534B0110H01	17—11
534A0870H01	13—26	534B0040H01	1—23	534B0112H01	8—11
534B0004H04	7—28	534B0041C01	2—7	534B0112H01	11—9
534B0004H06	4—29	534B0041C01	3—5	534B0112H01	15—9
534B0004H07	4—30	534B0042C01	2—8	534B0116H01	12—6
534B0004H08	1—31	534B0043H01	1—21	534B0117H01	12—6
534B0004H09	1—32	534B0045C01	2—6	534B0125H01	2—35
534B0004H11	7—29	534B0045C01	3—4	534B0125H01	3—24
534B0004H11	10—25	534B0046C01	1—22	534B0125H01	5—35
534B0004H12	10—26	534B0051C01	7—24	534B0125H01	6—23
534B0004H25	13—31	534B0055G01	17—1	534B0125H02	2—32
534B0004H26	13—30	534B0055G02	17—1	534B0125H02	3—22
534B0004H33	14—30	534B0055G03	17—1	534B0125H02	5—32
534B0004H34	14—29	534B0055G04	17—1	534B0125H02	6—21
534B0006H01	2—13	534B0055G05	17—1	534B0125H03	1—54
534B0006H01	3—6	534B0062C01	5—41	534B0125H04	4—54
534B0006H02	5—13	534B0062C01	8—42	534B0125H05	11—32
534B0006H02	6—6	534B0062C01	11—40	534B0125H05	12—19
534B0006H03	2—14	534B0062C01	15—38	534B0125H06	8—36
534B0006H03	3—7	534B0062C01	2—41	534B0125H06	9—25
534B0006H03	5—14	534B0075H01	7—12	534B0125H07	8—33
534B0006H03	6—7	534B0079H01	8—16	534B0125H07	9—23
534B0006H04	8—13	534B0079H02	11—26	534B0125H08	11—33
534B0006H04	9—6	534B0079H05	11—25	534B0125H08	12—20
534B0006H05	8—14	534B0079H05	12—15	534B0125H09	12—28
534B0006H05	9—7	534B0080H01	9—18	534B0125H09	15—29
534B0006H06	11—22	534B0081H01	9—18	534B0125H09	16—19
534B0006H06	12—13	534B0090H01	4—13	534B0125H10	7—54
534B0006H07	15—21	534B0091H01	4—16	534B0125H10	9—35
534B0006H07	16—13	534B0093H01	4—15	534B0125H13	13—63
534B0014H05	7—51	534B0095H01	1—15	534B0125H13	14—57
534B0014H08	2—29	534B0097H01	1—14	534B0125H14	15—30
534B0014H08	3—19	534B0100H01	1—18	534B0125H14	16—20
534B0014H08	4—51	534B0101H19	1—34	534B0125H15	10—53
534B0014H09	1—51	534B0101H19	4—31	534B0149H01	1—47
534B0014H10	1—52	534B0101H20	4—32	534B0149H01	4—47
534B0014H11	4—52	534B0101H21	10—27	534B0149H01	7—47
534B0014H12	7—52	534B0101H21	10—28	534B0149H01	10—48

TDSH / GDSH / TDSB ROTARY SCREW COMPRESSORS  
SERVICE PARTS LIST



ITEM NUMBER	FIG. & INDEX NO.	ITEM NUMBER	FIG. & INDEX NO.	ITEM NUMBER	FIG. & INDEX NO.
534B0149H01	13—58	534B0651H01	14—18	534C0176H01	4—14
534B0149H01	14—52	534B0652H01	14—67	534C0186H01	2—10
534B0151H01	1—48	534B0653H01	14—68	534C0186H02	2—10
534B0151H01	4—48	534B0910H01	2—30	534C0186H03	5—10
534B0151H01	7—48	534B0910H01	3—20	534C0186H04	5—10
534B0151H01	10—49	534B0910H01	5—30	534C0187H01	2—15
534B0151H01	13—59	534B0910H01	6—19	534C0187H01	3—8
534B0151H01	14—53	534B0910H02	8—31	534C0187H01	3—8
534B0174H09	13—61	534B0910H02	9—20	534C0187H02	5—15
534B0174H09	14—55	534B0910H03	11—30	534C0187H02	6—8
534B0182H01	2—12	534B0910H03	12—17	534C0187H03	8—15
534B0182H01	5—12	534B0910H04	15—27	534C0187H03	9—8
534B0182H01	8—12	534B0990H01	4—25	534C0187H04	11—24
534B0182H01	11—11	534B1045H01	1—27	534C0187H11	15—22
534B0182H01	15—11	534C0056C01	4—18	534C0187H11	16—14
534B0238H01	13—19	534C0058H01	4—19	534C0187H12	11—23
534B0239H01	13—23	534C0059H01	4—21	534C0187H12	12—14
534B0239H01	14—22	534C0061C01	5—6	534C0190H01	10—17
534B0240H01	15—12	534C0061C01	6—4	534C0190H01	10—19
534B0240H01	16—6	534C0062C01	5—7	534C0191H01	10—18
534B0242H01	15—13	534C0062C01	6—5	534C0191H01	10—20
534B0242H01	16—7	534C0063C01	5—8	534C0192H52	13—4
534B0244H01	13—60	534C0064C01	4—20	534C0193H01	10—16
534B0244H01	14—54	534C0067C01	5—5	534C0194H01	1—4
534B0249H01	15—12	534C0067C01	6—3	534C0194H02	1—4
534B0249H01	16—6	534C0068C01	4—62	534C0194H11	4—4
534B0250H01	15—13	534C0072H03	2—11	534C0194H12	4—4
534B0250H01	16—7	534C0072H03	5—11	534C0194H21	7—4
534B0278H01	11—12	534C0075C01	1—20	534C0194H22	7—4
534B0283H01	17—10	534C0076C01	1—8	534C0194H31	10—4
534B0290H01	1—17	534C0077C01	2—5	534C0194H32	7—4
534B0293H01	17—9	534C0077C01	3—3	534C0194H32	10—4
534B0294H01	2—36	534C0079C01	2—4	534C0194H42	13—4
534B0294H01	5—36	534C0079C01	3—2	534C0194H42	13—4
534B0294H01	8—37	534C0080C01	2—4	534C0194H42	13—4
534B0294H01	11—35	534C0080C01	3—2	534C0194H42	14—4
534B0294H01	15—32	534C0096H05	17—16	534C0194H42	14—4
534B0325H01	13—66	534C0096H13	17—13	534C0194H42	14—4
534B0426H01	13—70	534C0113C01	7—8	534C0194H51	13—4
534B0426H01	14—63	534C0117C01	8—8	534C0194H51	14—4
534B0453H01	4—57	534C0118C01	8—7	534C0194H52	14—4
534B0496H01	9—30	534C0118C01	9—5	534C0194H53	10—4
534B0501H01	2—39	534C0119C01	8—6	534C0194H53	13—4
534B0501H01	5—39	534C0119C01	9—4	534C0194H53	13—4
534B0501H01	8—40	534C0123H01	8—10	534C0194H53	14—4
534B0501H01	11—38	534C0123H02	8—10	534C0194H54	13—4
534B0501H01	15—35	534C0123H02	8—10	534C0194H55	13—4
534B0506H01	6—34	534C0138C01	4—8	534C0200H01	10—21
534B0512H01	3—35	534C0150C01	1—11	534C0201H01	11—10
534B0520H01	16—28	534C0154C01	1—10	534C0201H02	11—10
534B0521H01	16—29	534C0155C01	1—9	534C0204C01	10—15
534B0566H01	12—26	534C0162H01	1—13	534C0207G01	10—4
534B0567H01	3—31	534C0171H01	7—15	534C0208G01	10—4
534B0567H01	6—30	534C0175H01	4—12	534C0212C01	7—19

ITEM NUMBER	FIG. & INDEX NO.	ITEM NUMBER	FIG. & INDEX NO.	ITEM NUMBER	FIG. & INDEX NO.
534C0234H01	7—18	534C1147H06	13—34	534D0089C01	7—17
534C0235H01	7—20	534C1147H06	14—31	534D0096C01	8—2
534C0249H01	7—21	534C1155H01	9—27	534D0121C01	4—9
534C0250C01	7—22	534C1170H01	16—26	534D0127C01	7—10
534C0251H01	7—13	534C1170H02	12—29	534D0129C01	7—9
534C0252H01	7—14	534C1170H03	9—33	534D0130G01	7—4
534C0268C01	4—24	534C1170H04	3—34	534D0130G02	7—4
534C0269C01	4—23	534C1170H04	6—33	534D0130G03	7—4
534C0270H01	4—22	534C1204G01	10—4	534D0133G01	1—4
534C0279H01	10—22	534C1356H01	15—10	534D0133G02	1—4
534C0281H01	1—24	534C1356H02	15—10	534D0134G01	4—4
534C0282C01	1—25	534C1356H03	15—10	534D0134G02	4—4
534C0283C01	1—26	534C1360H01	5—28	534D0140C01	11—4
534C0432C01	17—12	534C1360H02	5—28	534D0140C01	12—2
534C0453H23	12—35	534C1360H03	8—29	534D0141C01	11—4
534C0453H26	12—35	534C1360H04	8—29	534D0141C01	12—2
534C0453H29	16—34	534C1360H06	11—12	534D0143C01	11—5
534C0453H32	16—34	534C1360H07	11—12	534D0143C01	12—3
534C0453H35	16—34	534C1568H01	14—74	534D0144C01	11—5
534C0478H05	13—32	534C1587H01	13—13a	534D0144C01	12—3
534C0478H07	13—33	534C1587H02	14—73	534D0145C01	10—7
534C0487H01	13—18	534C1661H01	13—14	534D0150C01	10—10
534C0487H01	14—17	534C1661H02	13—12	534D0151C01	10—9
534C0492H01	13—20	534C2157H01	13—28	534D0153C01	11—8
534C0492H01	14—19	534C2157H01	14—27	534D0157C01	11—3
534C0493C01	13—24	534D0046C01	5—3	534D0160C01	11—2
534C0493C01	14—23	534D0046C01	6—1	534D0160C01	12—1
534C0510H01	15—23	534D0047C01	5—1	534D0161C01	10—8
534C0510H01	16—15	534D0048C01	4—7	534D0168C01	10—12
534C0569H01	13—25	534D0049C01	5—4	534D0170C01	10—11
534C0569H01	14—24	534D0049C01	6—2	534D0189C01	5—2
534C0570H01	14—25	534D0051C01	1—7	534D0190C01	2—2
534C0629H01	1—16	534D0052C01	2—1	534D0192C01	7—7
534C0645H01	10—17	534D0054C01	2—3	534D0193C01	7—23
534C0646H01	10—18	534D0054C01	3—1	534D0226C01	10—13
534C0701H01	1—30	534D0056C01	2—3	534D0363G01	17—8
534C0701H02	4—28	534D0056C01	3—1	534D0365C01	15—4
534C0701H03	7—27	534D0061C01	5—4	534D0365C01	16—2
534C0701H04	10—29	534D0061C01	6—2	534D0366C01	15—5
534C1024H01	6—25	534D0063C01	5—3	534D0366C01	16—3
534C1030H01	9—27	534D0063C01	6—1	534D0367C01	15—7
534C1033H01	9—27	534D0079C01	8—1	534D0367C01	16—5
534C1037H01	9—31	534D0082C01	8—3	534D0368C01	15—8
534C1038G01	9—29	534D0082C01	9—1	534D0369C01	15—3
534C1041H01	12—30	534D0083C01	8—3	534D0370C01	13—7
534C1042G01	12—22	534D0083C01	9—1	534D0370C01	14—7
534C1051H01	6—25	534D0084C01	8—4	534D0373C01	15—6
534C1054H01	3—26	534D0084C01	9—2	534D0373C01	16—4
534C1056H01	16—24	534D0085C01	8—4	534D0374C01	13—17
534C1071G01	16—27	534D0085C01	9—2	534D0374C01	14—16
534C1082H01	3—26	534D0088C01	8—5	534D0375C01	13—15
534C1135C01	14—13	534D0088C01	9—3	534D0375C01	14—14
534C1142G01	3—27	534D0088C02	8—5	534D0391C01	13—16
534C1142G01	6—26	534D0088C02	9—3	534D0391C01	14—15

TDSH / GDSH / TDSB ROTARY SCREW COMPRESSORS  
SERVICE PARTS LIST



ITEM NUMBER	FIG. & INDEX NO.	ITEM NUMBER	FIG. & INDEX NO.	ITEM NUMBER	FIG. & INDEX NO.
534D0392H01	13—22	534D0883H01	12—21	581A0011H03	3—41
534D0392H01	14—21	534D0899H01	12—21	581A0011H03	6—40
534D0407G01	13—4	534D0902C01	3—25	581A0011H03	9—42
534D0407G02	13—4	534D0913C01	16—30	581A0011H03	12—38
534D0407G02	14—4	534D0926C01	16—25	581A0011H04	16—39
534D0407G03	13—4	534D0927H01	16—22	581B0001H06	3—40
534D0407G03	14—4	534D0933H01	16—22	581B0001H06	6—39
534D0407G04	13—4	534D0949C01	6—24	581B0001H06	9—41
534D0407G04	14—4	534D0976C01	9—26	581B0001H06	12—37
534D0408G01	13—27	534D1008C01	3—28	581B0001H07	16—36
534D0408G01	14—26	534D1009H01	3—29	901A0045D01	3—42
534D0412C01	13—13	534D1010H01	12—24	901A0045D01	6—41
534D0429C01	15—4	534D1011C01	12—23	901A0045D01	9—43
534D0429C01	16—2	534D1012H01	6—28	901A0045D01	12—39
534D0430C01	15—5	534D1013C01	6—27	901A0046D01	16—37
534D0430C01	16—3	534D1015C01	6—24	901A0085H04	17—17
534D0431C01	15—7	534D1016C01	9—28	901A0085H19	17—15
534D0431C01	16—5	534D1017H01	9—32	901A0196H07	1—61
534D0464G01	2—9	534D1018C01	9—26	901A0196H07	4—63
534D0464G02	2—9	534D1043C01	7—17	901A0196H07	7—58
534D0464G03	5—9	534D1048C01	11—4	901A0196H12	10—54
534D0464G04	5—9	534D1049C01	11—5	901A0196H12	13—76
534D0464G05	8—9	534D1135C02	14—12	901A0196H12	14—76
534D0464G06	8—9	534D1137H01	14—69	901A0222H09	10—41
534D0464G07	11—1	534D1400C01	13—9	901A0222H09	13—48
534D0464G08	11—1	534D1400C01	14—9	901A0222H09	14—42
534D0464G11	8—9	534D1401C01	13—10	901A0223H08	7—34
534D0464G13	15—1	534D1401C01	14—10	901A0223H08	13—69
534D0464G14	15—1	534D1402C01	13—8	901A0223H08	14—62
534D0464G15	15—1	534D1402C01	14—8	901A0223H09	10—40
534D0483C01	4—10	534D1606C01	13—5	901A0223H09	11—29
534D0495C01	7—11	534D1606C01	14—5	901A0223H09	12—36
534D0496C01	1—20	534E0019C01	7—5	901A0223H09	13—50
534D0499C01	10—7	534E0023C01	4—5	901A0223H09	14—44
534D0500C01	11—6	534E0026C01	1—5	901A0223H09	15—25
534D0500C01	12—4	534E0049C01	10—5	901A0223H09	16—16
534D0507C01	10—14	534E0175C01	16—1	901A0223H16	10—40
534D0508C01	11—7	534E0271C01	10—5	901A0223H16	12—36
534D0508C01	12—5	534E0271C02	10—5	901A0223H16	15—24
534D0509C01	10—13	534E0404C01	1—6	901A0223H16	16—35
534D0514H01	10—22	534E0405C01	4—6	901A0225H05	8—17
534D0523G01	15—31	534E0438C01	7—6	901A0225H05	11—27
534D0541C01	11—6	534E0439C01	10—6	901A0225H05	15—26
534D0541C01	12—4	534E0456C01	8—3	901A0232H12	13—49
534D0639H01	13—21	534E0456C01	9—1	901A0232H12	14—43
534D0639H01	14—20	534E0459C01	8—1	905A0021H08	2—44
534D0766C01	13—11	534E0460C01	8—4	905A0021H08	5—44
534D0766C01	14—11	534E0460C01	9—2	905A0021H08	8—34
534D0859C01	15—4	534E0572C01	9—26	905A0021H08	8—45
534D0859C01	16—2	534E0683C01	15—2	905A0021H08	11—34
534D0861C01	15—5	534E1076C01	13—6	905A0021H08	11—43
534D0861C01	16—3	534E1076C01	14—6	905A0021H08	15—31
534D0862C01	15—6	540A0038H08	14—46	905A0021H08	15—41
534D0862C01	16—4	540A0038H10	14—47	944A0008H03	1—55

ITEM NUMBER	FIG. & INDEX NO.	ITEM NUMBER	FIG. & INDEX NO.	ITEM NUMBER	FIG. & INDEX NO.
944A0008H03	2—34	980A0012B79	5—21	980A0012H04	14—36
944A0008H03	3—23	980A0012B79	6—11	980A0012H04	15—17
944A0008H03	4—55	980A0012B79	7—36	980A0012H04	16—9
944A0008H03	5—34	980A0012B81	13—74	980A0012H05	13—42
944A0008H03	6—22	980A0012B81	14—75	980A0012H05	14—37
944A0008H03	7—55	980A0012B83	2—23	980A0012H06	13—46
944A0008H03	8—35	980A0012B83	3—12	980A0012H06	14—40
944A0008H03	9—24	980A0012B83	4—61	980A0012H35	5—25
944A0008H04	13—64	980A0012B84	2—24	980A0012H35	6—14
944A0008H04	14—58	980A0012B84	3—13	980A0012H36	8—26
944A0008H04	16—21	980A0012B84	4—39	980A0012H36	9—15
944A0008H05	1—56	980A0012B86	3—38	980A0012H40	11—19
944A0008H05	4—56	980A0012B86	6—37	980A0012H40	12—11
944A0008H05	7—56	980A0012B86	8—22	980A0012H41	15—19
944A0008H05	13—65	980A0012B86	9—11	980A0012H41	16—11
944A0008H05	14—59	980A0012B87	5—22	980A0012H49	2—26
944A0228H10	1—59	980A0012B87	6—12	980A0012H49	3—15
944A0228H11	4—59	980A0012B88	5—23	980A0012H49	5—26
944A0356H03	14—60	980A0012B88	6—13	980A0012H49	6—15
944A0358H03	13—67	980A0012B88	7—37	980A0012H51	8—27
959A0057H04	1—28	980A0012B89	7—38	980A0012H51	9—16
959A0057H05	4—26	980A0012B89	10—34	980A0012H70	8—28
959A0057H05	7—25	980A0012B90	2—25	980A0012H70	9—17
959A0057H07	10—32	980A0012B90	3—14	980A0012H73	11—20
959A0057H07	13—68	980A0012B90	7—39	980A0012H73	12—12
959A0057H07	14—61	980A0012B90	9—39	980A0012H77	11—21
959A0057H18	13—37	980A0012B90	13—39	980A0012H81	15—20
959A0057H18	14—23	980A0012B90	14—34	980A0012H81	16—12
980A0012A11	17—6	980A0012B91	5—24	980A0012H92	1—41
980A0012A67	15—14	980A0012B91	6—38	980A0012K05	2—27
980A0012A70	2—19	980A0012B92	8—23	980A0012K05	3—16
980A0012A70	5—19	980A0012B92	9—12	980A0012K09	5—27
980A0012A71	8—20	980A0012B93	8—24	980A0012K09	6—16
980A0012A76	11—14	980A0012B93	9—13	980A0012K43	4—40
980A0012A79	15—15	980A0012B93	10—35	980A0012K49	7—40
980A0012A98	2—20	980A0012B95	11—16	980A0012K52	10—37
980A0012A98	3—10	980A0012B95	12—8	980A0012K62	17—7
980A0012A98	5—20	980A0012B96	10—36	980A0012K66	13—72
980A0012A98	6—10	980A0012B97	8—25	980A0012K69	1—60
980A0012B02	8—21	980A0012B97	9—14	980A0012K71	4—60
980A0012B02	9—10	980A0012B98	11—17	980A0012K74	13—45
980A0012B03	11—15	980A0012B98	12—9	980A0012K74	14—39
980A0012B03	12—7	980A0012B99	11—18	980A0012K75	13—44
980A0012B04	15—16	980A0012B99	12—10	980A0012K75	14—38
980A0012B04	16—8	980A0012H01	13—38	980A0014A61	8—19
980A0012B19	10—33	980A0012H01	14—33	980A0014A66	11—13
980A0012B52	2—21	980A0012H02	13—40	980A0014B30	5—18
980A0012B52	3—11	980A0012H02	14—35	980A0014B30	2—18
980A0012B61	1—39	980A0012H03	13—43		
980A0012B65	4—38	980A0012H03	14—71		
980A0012B73	13—73	980A0012H03	15—18		
980A0012B75	2—22	980A0012H03	16—10		
980A0012B75	3—39	980A0012H04	12—34		
980A0012B76	1—40	980A0012H04	13—41		

STRAIGHT ADAPTERS / O-RINGS - STRAIGHT THREAD TO NPTF			
Straight Thread Size <sup>(1)</sup>	NPTF Size <sup>(1)</sup>	Frick Part Number	O-ring
9/16-18	1/4-18	944A0246H01	980A0012K60
3/4-16	1/4-18	944A0246H02	980A0012K62
3/4-16	3/8-18	944A0246H03	980A0012K62
3/4-16	1/2-14	944A0246H04	980A0012K62
7/8-14	1/4-18	944A0246H05	980A0012K64
7/8-14	3/8-18	944A0246H06	980A0012K64
7/8-14	1/2-14	944A0246H07	980A0012K64
7/8-14	3/4-14	944A0246H08	980A0012K64
1 1/16-12	1/2-14	944A0246H09	980A0012K66
1 1/16-12	3/4-14	944A0246H10	980A0012K66
1 3/16-12	1/2-14	944A0246H11	980A0012K68
1 3/16-12	3/4-14	944A0246H12	980A0012K68
1 5/16-12	1/2-14	944A0246H13	980A0012K69
1 5/16-12	3/4-14	944A0246H14	980A0012K69
1 5/16-12	1-11 1/2	944A0246H15	980A0012K69
1 5/8-12	1-11 1/2	944A0246H16	980A0012K71
1 5/8-12	1 1/4-11 1/2	944A0246H17	980A0012K71
1 7/8-12	1-11 1/2	944A0246H18	980A0012K72
1 7/8-12	1 1/2-11 1/2	944A0246H19	980A0012K72
7/16-20	1/4-18	944A0246H20	980A0012K58

90° ELBOW ADAPTERS / O-RINGS - STRAIGHT THREAD TO TUBE				
NUMBER	TUBE OD <sup>(1)</sup>	TUBE END UN/UNF-2A <sup>(1)</sup>	PORT THD UN/UNF-2A <sup>(1)</sup>	O-RING
944A0288H01	1/2	3/4-16	3/4-16	980A0012K62
944A0288H02	1/2	3/4-16	9/16-18	980A0012K60
944A0288H03	1/2	3/4-16	7/8-14	980A0012K64
944A0288H04	1/2	3/4-16	1 1/16-12	980A0012K66
944A0288H05	5/8	7/8-14	7/8-14	980A0012K64
944A0288H06	5/8	7/8-14	3/4-16	980A0012K62
944A0288H07	5/8	7/8-14	1 1/16-12	980A0012K66
944A0288H08	3/4	1 1/16-12	1 1/16-12	980A0012K66
944A0288H09	3/4	1 1/16-12	3/4-16	980A0012K62
944A0288H10	3/4	1 1/16-12	7/8-14	980A0012K64
944A0288H11	3/4	1 1/16-12	1 5/16-12	980A0012K69
944A0288H12	7/8	1 3/16-12	1 3/16-12	980A0012K68
944A0288H13	1	1 5/8-12	1 5/16-12	980A0012K69
944A0288H14	1	1 5/16-12	1 1/16-12	980A0012K66
944A0288H15	1 1/4	1 5/8-12	1 5/8-12	980A0012K71
944A0288H16	1 1/2	1 7/8-12	1 7/8-12	980A0012K72

1. In Inches