

BrassCraft®



Brass Fittings

Innovative solutions delivered
Better engineering, better selection, better results



FLARE

COMPRESSION

CPVC

IRON PIPE

HOSE BARB

GARDEN HOSE

DRAIN/SHUT-OFF COCKS

NEEDLE & HUMIDIFIER VALVES



The Professional's Head Start

Our clearly illustrated, easy-to-use catalogs are an important part of the BrassCraft leadership tradition – versatile, highly effective products that can help make your job easier and more rewarding. With BrassCraft catalogs by your side, finding and ordering the right plumbing products for every application is faster and simpler than ever before.



WATER SUPPLIES

An invaluable, one-stop resource for plumbing professionals.

- Supply Stops
- Water Connectors
- Supply Kits
- Risers
- Fittings
- Heavy Pattern
- Special Finish

GAS APPLIANCE & WATER HEATER CONNECTOR

A complete source for BrassCraft stainless steel gas connectors.

- Gas Connectors
- Water Heater Connectors
- Gas Valves
- Excess Flow Valves
- Tankless Service Valves
- Installation Kits

BRASS FITTINGS

A comprehensive catalog featuring a full line of reliable, easy-to-install fittings and products.

- Flare
- Compression
- CPVC
- Iron Pipe
- Hose Barb
- Garden Hose
- Drain/Shut-off Cocks
- Needle & Humidifier Valves

BRASS FITTINGS

Table of Contents



| | | | |
|-------------------|-------|----------------------------------|-------|
| Flare | 4-14 | Waste Connector | 43-45 |
| Compression | 15-27 | Drain & Shut-Off Cocks..... | 46 |
| CPVC | 28 | Needle & Humidifier Valves | 47-48 |
| Iron Pipe | 29-35 | Displays..... | 49 |
| Hose Barb..... | 36-39 | Specifications | 50-57 |
| Garden Hose..... | 40-42 | Index | 58-66 |

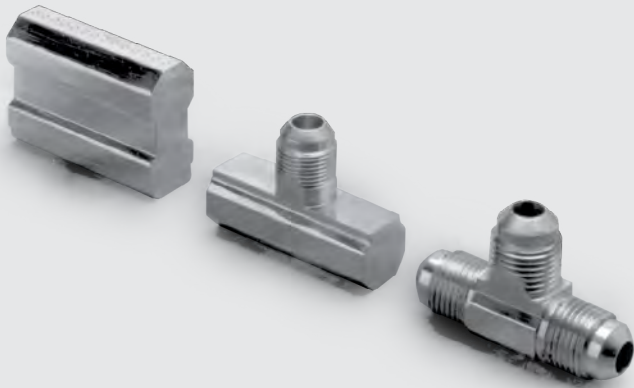
BrassCraft®

Manufacturing Techniques

Extruded Fittings

Extruded brass rod is drawn to custom shapes with precise tolerances. This eliminates splits, pin holes and sand holes. BrassCraft Mfg. then machines the extruded brass rods using many different machining operations. The result is a one-piece, solid brass fitting without seams or brazed joints.

BrassCraft Mfg.'s process of machining fittings from extruded brass rod produces a fitting that's dense, nonporous and stronger in it's longitudinal direction.



Forged Fittings


Forged brass fittings are made from extruded brass rod that have different temper and chemical composition than brass rod used for the extruded fittings. The bars are cut to the correct length slug for the fitting, heated to a pliable state and pressed between dies with 25,000 pounds per square inch pressure. Next they are cooled, then the flash is trimmed and the forging blank is machined into the finished fitting.

Compliant Solutions for the 2014 No Lead Law



As of January 4, 2014, Federal Public Law 111-380 prohibits the sale of plumbing fixtures with a wetted surface area containing more than a weighted average of 0.25% lead. This law virtually eliminates the lead content of pipes, pipe fittings, plumbing fittings and fixtures intended to convey or dispense water for drinking or cooking.

BrassCraft Manufacturing is meeting the new no-lead law head on with a comprehensive range of compliant products including brass stops, braided water connectors, brass fittings, and hot water heater connectors.

Look for the checkmark  on packaging to verify that the product meets the new no-lead legislation requirements. Look for the ● next to products listed in this catalog that meet the new no-lead regulations.

Dryseal Pipe Threads

BrassCraft® tapered pipe threads are made to the American National Standard B1.20.3, Dryseal Pipe Thread standard, known as either NPTF, or in the SAE short version, PTF.

Unlike other types of threads, dryseal pipe threads seal joints pressure-tight, because their thread roots are wider than the crests. Wrenching the threads together causes the roots to crush the sharper crests of the mating threads, forming a metal-to-metal seal. Dryseal threads improve sealing characteristics, but using a thread sealant is still recommended.



Dryseal pipe threads, hand tight. Does not provide a positive seal.



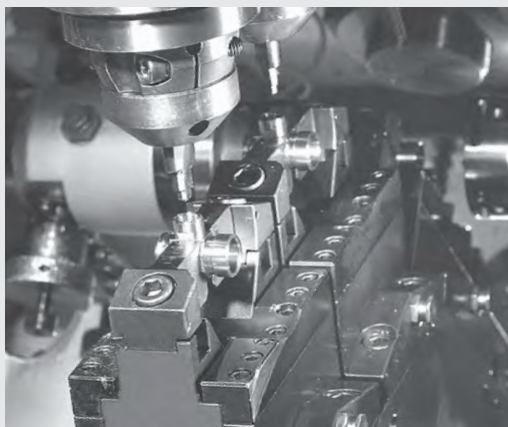
Regular pipe threads, hand tight. Only seals joints on the sides of the threads, allowing spiral leakage



Dryseal pipe threads, wrench tight. Tightly seals all thread surfaces, providing a positive seal.

Your Best Choice for Engineered Product Solutions

BrassCraft Mfg. has been providing quality engineered product solutions to customers since 1946. Offering a full range of machining capabilities, we manufacture an array of brass alloys including compliant, no-lead alloys for potable water applications. BrassCraft Mfg. also provides collaborative design and engineering services for a wide spectrum of products and applications.



Manufacturing Expertise

With a broad range of machining, finishing and assembly capabilities, we provide comprehensive solutions to your product needs. More than one million square feet of manufacturing, packaging and distribution facilities means we have the flexibility to effectively respond to your production needs, with stringent quality control and prompt service.

Breadth of Line

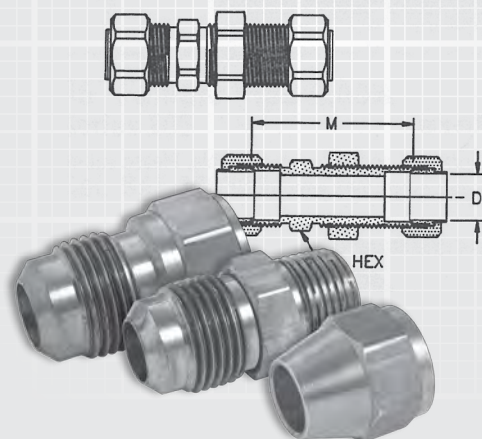
BrassCraft Mfg. offers customers a comprehensive product line. The ability to source globally and manufacture products to exact specifications makes the program even more complete by providing customers with added product selection and competitive pricing.

Global Sourcing

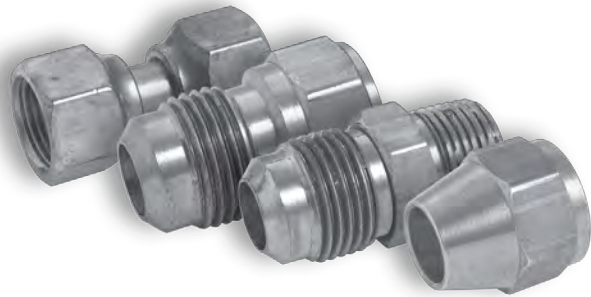
When customers request a product that we do not inventory, the customer is accommodated, not turned away. With business partners across the globe, BrassCraft Mfg. can source any product to satisfy our customers' needs.

Custom Engineered Products

Our expertise in product design and manufacturing offers customers assistance in any stage of the product development process. With a full suite of specialty and finishing operations, BrassCraft Mfg. can modify an existing part or manufacture to a customer's specifications.



Brass 45° Flare Fittings



Product Applications

- For use with copper, brass, aluminum and welded steel tubing that can be flared.
- Used extensively for connections of fuel, oil, air, liquid petroleum (LP), and natural gas lines.

Product Advantages

- BrassCraft® Flare Fittings resist mechanical pull out.
- Recommended for higher pressures than those covered by compression fittings.
- Designed to be assembled and disassembled over and over again.
- Reusable with long or short nuts.
- Manufactured from brass rod.
- Backed by BrassCraft Mfg.'s 65 plus year history and reputation for quality and service.

Special Orders

- Special fitting configurations and sizes may be ordered. Please furnish a print or sketch of your needs with your inquiry.
- Fittings are available in bulk quantities on request. Contact your sales representative for details.

How To Order

- Order fittings by part number and product name.
- Flare bodies and nuts are separate items and are ordered individually. (Indicate both part numbers – body and nut – when ordering).
- To order flare fittings with nuts assembled, add suffix "WN".

Assembly Instructions

1. Cut tubing to required length, making sure that the ends are square and all burrs are removed.
2. Slide nut onto tubing. Threaded end of nut must face out.
3. Flare tubing end with a 45° flaring tool.
 - A. Measure flare diameter.
 - B. Check flare for excessive thin out.
4. Lubricate threads with a drop of oil and assemble nut onto body, hand tighten.
5. Tighten with wrench until assembly feels "solid". Then apply a one-sixth turn.

CAUTION: Do not over torque. May damage the fitting and split the tubing at the flare.

HINT!

Single or Double Flares?

Tubing may be either single or double flared for maximum reliability. When working with steel tubing, such as Bundy, double flaring is recommended to protect against tube cracking or splitting. Single flares are commonly used to connect copper and aluminum tubing.

Double Flare Eliminates the Danger of Over Tightening

The advantage of a double flare is that an effective seal can be made with specified wrench torques, and yet maximum wrench torques for single flares can be exceeded by a considerable margin without "ironing out" or "washing out" the flare. The double flare compensates for this over-torquing while maintaining a reliable seal. The double flare is also desirable for tubing joints which must be taken apart and reassembled frequently, especially on 3/8" OD tube size or smaller.

Part Numbering System

Iron Pipe Nipples

| Fitting Type | Pipe Thread | Length | Finish | Option |
|--------------|-------------|--------|--------|--------|
| 113 | 06 | 2.5 | C | X |

| | | |
|-------------|-----|---------------------|
| Type | 112 | Close Pipe Nipples* |
| | 113 | Long Pipe Nipples |

| | | |
|--------------------|----|---------------------|
| Pipe Thread | 02 | 1/8" Male Iron Pipe |
| | 04 | 1/4" Male Iron Pipe |
| | 06 | 3/8" Male Iron Pipe |
| | 08 | 1/2" Male Iron Pipe |
| | 10 | 5/8" Male Iron Pipe |
| | 12 | 3/4" Male Iron Pipe |
| | 16 | 1" Male Iron Pipe |

| | | |
|----------------|-----|--------|
| Length* | 1.5 | 1-1/2" |
| | 2 | 2" |
| | 2.5 | 2-1/2" |
| | 3 | 3" |
| | 3.5 | 3-1/2" |
| | 4 | 4" |
| | 4.5 | 4-1/2" |
| | 5 | 5" |
| | 5.5 | 5-1/2" |
| | 6 | 6" |

| | | |
|---------------|---|------------------|
| Finish | C | Chrome plated |
| | R | Rough (unplated) |

| | | |
|-----------------------------|---|----------------|
| Option (Modifier) | X | 100% Compliant |
|-----------------------------|---|----------------|

*For Close Nipples, omit length

Working Pressures

Working pressures vary by type and size of tubing used, and style of fitting. However, based on .032 wall copper tubing, the pressures may range as follows depending on size:

| CONNECTION TYPE PRESSURE | WORKING |
|-----------------------------|------------------|
| Flare (1/8" to 3/4") | 600 to 3,000 PSI |
| Compression | 100 to 400 PSI |
| Iron Pipe | Up to 1,200 PSI |
| PEX Tubing | Up to 150 PSI |
| Polyethylene Tubing | Up to 80 PSI |

Industry Standard Fittings

| Fitting Type | Inlet Size | Outlet Size | Option | Finish |
|--------------|------------|-------------|--------|--------|
| 69 | 8 | 6 | X | C |

| | | |
|-------------|-----|--------------------------------------|
| Type | 62 | Compression x Compression Union |
| | 65 | Compression x Compression Elbow |
| | 68 | Male Iron Pipe x Compression Union |
| | 69 | Male Iron Pipe x Compression Elbow |
| | 70 | Female Iron Pipe x Compression Elbow |
| | 462 | Flare x Compression Adaptor |

| | | |
|-------------------|----|------|
| Inlet Size | 4 | 1/4" |
| | 6 | 3/8" |
| | 8 | 1/2" |
| | 10 | 5/8" |
| | 12 | 3/4" |
| | 14 | 7/8" |

| | | |
|--------------------|----|------|
| Outlet Size | 4 | 1/4" |
| | 6 | 3/8" |
| | 8 | 1/2" |
| | 10 | 5/8" |
| | 12 | 3/4" |
| | 14 | 7/8" |

| | | |
|-----------------------------|----|----------------|
| Option (Modifier) | DT | Drill Through |
| | X | 100% Compliant |

| | | |
|---------------|---|------------------|
| Finish | C | Chrome plated |
| | R | Rough (unplated) |

Fitting Thread Size Comparison Chart

| SIZE | FLARE | COMPRESSION | PIPE |
|------|-----------|-------------|----------|
| 1/8 | 5/16-24 | 5/16-24 | 1/8-27 |
| 3/16 | 3/8-24 | 3/8-24 | — |
| 1/4 | 7/16-20 | 7/16-24 | 1/4-18 |
| 5/16 | 1/2-20 | 1/2-24 | — |
| 3/8 | 5/8-18 | 9/16-24 | 3/8-18 |
| 7/16 | 11/16-16 | 5/8-24 | — |
| 1/2 | 3/4-16 | 11/16-20 | 1/2-14 |
| 5/8 | 7/8-14 | 13/16-18 | — |
| 3/4 | 1-1/16-14 | 1-18 | 3/4-14 |
| 7/8 | 1-1/4-12 | 1-1/8-18 | — |
| 1 | 1-3/8-12 | — | 1-11-1/2 |

General Information

Most brass fittings have a temperature range of -65°F to 250°F. They can be used on copper, brass, aluminum, plastic, and welded steel.

Note: Compression fittings are not recommended for steel tubing.

| PART NO. | USE | UPC | DESCRIPTION | FINISH | QTY | LBS |
|--------------------|-----|--------------|---------------|--------|-----|-----|
| Flare Plugs | | | | | | |
| 39-4 | ○ | 026613024608 | 1/4" OD Tube | Rough | 10 | 0.2 |
| 39-5 | ○ | 026613058757 | 5/16" OD Tube | Rough | 10 | 0.3 |
| 39-6 | ○ | 026613005690 | 3/8" OD Tube | Rough | 10 | 0.5 |
| 39-8 | ○ | 026613005706 | 1/2" OD Tube | Rough | 10 | 0.8 |
| 39-10 | ○ | 026613005713 | 5/8" OD Tube | Rough | 10 | 1.3 |



| | | | | | | |
|-------------------|---|--------------|---------------|-------|----|-----|
| Flare Caps | | | | | | |
| 40-3 | ○ | 026613058764 | 3/16" OD Tube | Rough | 10 | 0.2 |
| 40-4 | ○ | 026613004914 | 1/4" OD Tube | Rough | 5 | 0.1 |
| 40-5 | ○ | 026613058771 | 5/16" OD Tube | Rough | 10 | 0.4 |
| 40-6 | ○ | 026613004921 | 3/8" OD Tube | Rough | 10 | 0.4 |
| 40-6X | ▲ | 026613141077 | 3/8" OD Tube | Rough | 10 | 0.4 |
| 40-8 | ○ | 026613004938 | 1/2" OD Tube | Rough | 10 | 0.4 |
| 40-10 | ○ | 026613004945 | 5/8" OD Tube | Rough | 5 | 0.6 |



| | | | | | | |
|---------------------------|---|--------------|-----------------------------|-------|----|-----|
| Flare Nuts - Short | | | | | | |
| 41S-2 | ● | 026613058863 | 1/8" OD Tube | Rough | 10 | 0.1 |
| 41S-3 | ● | 026613058870 | 3/16" OD Tube | Rough | 10 | 0.1 |
| 41S-4 | ● | 026613004952 | 1/4" OD Tube | Rough | 10 | 0.3 |
| 41S-5 | ● | 026613004969 | 5/16" OD Tube | Rough | 10 | 0.4 |
| 41S-6 | ● | 026613004976 | 3/8" OD Tube | Rough | 10 | 0.5 |
| 41S-7 | ● | 026613004983 | 7/16" OD Tube | Rough | 10 | 0.7 |
| 41S-8 | ● | 026613004990 | 1/2" OD Tube | Rough | 10 | 0.7 |
| 41S-10 | ● | 026613005003 | 5/8" OD Tube | Rough | 5 | 0.5 |
| 41S-12 | ● | 026613058849 | 3/4" OD Tube | Rough | 10 | 2.0 |
| 41S-14 | ● | 026613058856 | 7/8" OD Tube | Rough | 10 | 3.7 |
| 41S-6X | ● | 026613058900 | 3/8" OD Tube, Heavy Pattern | Rough | 10 | 0.6 |
| 41S-8X | ● | 026613058955 | 1/2" OD Tube, Heavy Pattern | Rough | 10 | 0.9 |



| | | | | | | |
|--------------------------|---|--------------|---------------|-------|----|-----|
| Flare Nuts - Long | | | | | | |
| 41L-4 | ● | 026613058795 | 1/4" OD Tube | Rough | 10 | 0.3 |
| 41L-5 | ● | 026613058801 | 5/16" OD Tube | Rough | 10 | .01 |
| 41L-6 | ● | 026613058818 | 3/8" OD Tube | Rough | 10 | 0.8 |
| 41L-8 | ● | 026613058825 | 1/2" OD Tube | Rough | 10 | 1.3 |
| 41L-10 | ● | 026613058788 | 5/8" OD Tube | Rough | 10 | 1.8 |



| | | | | | | |
|----------------------|---|--------------|-------------------|-------|----|-----|
| Flare Bonnets | | | | | | |
| FB-5 | ○ | 026613059013 | For 5/16" OD Tube | Rough | 10 | .03 |
| FB-6 | ○ | 026613005850 | For 3/8" OD Tube | Rough | 10 | 0.1 |
| FB-8 | ○ | 026613005867 | For 1/2" OD Tube | Rough | 10 | 0.1 |



| | | | | | | |
|---------------------|---|--------------|--------------------------|-------|----|-----|
| Flare Unions | | | | | | |
| 42-2 | ○ | 026613060132 | 1/8" OD Tube, Both Ends | Rough | 10 | 0.2 |
| 42-3 | ○ | 026613060149 | 3/16" OD Tube, Both Ends | Rough | 10 | 0.2 |
| 42-4 | ○ | 026613005010 | 1/4" OD Tube, Both Ends | Rough | 10 | 0.3 |
| 42-5 | ○ | 026613005027 | 5/16" OD Tube, Both Ends | Rough | 10 | 0.5 |



○ Not for use in potable water applications.

● Can be used in potable water applications.

▲ Certified Compliant to NSF/ANSI 372 for potable water applications

| PART NO. | USE | UPC | DESCRIPTION | FINISH | QTY | LBS |
|-----------------------------|-----|--------------|-------------------------|--------|-----|-----|
| Flare Unions (cont.) | | | | | | |
| 42-6 | ○ | 026613005034 | 3/8" OD Tube, Both Ends | Rough | 10 | 0.8 |
| 42-8 | ○ | 026613005041 | 1/2" OD Tube, Both Ends | Rough | 10 | 1.6 |
| 42-10 | ○ | 026613005058 | 5/8" OD Tube, Both Ends | Rough | 5 | 1.0 |
| 42-12 | ○ | 026613060095 | 3/4" OD Tube, Both Ends | Rough | 5 | 1.8 |
| 42-14 | ○ | 026613060125 | 7/8" OD Tube, Both Ends | Rough | 5 | 2.2 |



| | | | | | | |
|------------------------------|---|--------------|------------------------------|-------|----|-----|
| Flare Reducing Unions | | | | | | |
| 42-6-4 | ○ | 026613005065 | 3/8" OD Tube x 1/4" OD Tube | Rough | 10 | 0.6 |
| 42-6-5 | ○ | 026613060187 | 3/8" OD Tube x 5/16" OD Tube | Rough | 10 | 0.7 |
| 42-8-4 | ○ | 026613005072 | 1/2" OD Tube x 1/4" OD Tube | Rough | 10 | 0.7 |
| 42-8-6 | ○ | 026613005089 | 1/2" OD Tube x 3/8" OD Tube | Rough | 10 | 1.1 |
| 42-10-6 | ○ | 026613005096 | 5/8" OD Tube x 3/8" OD Tube | Rough | 5 | 0.8 |
| 42-10-8 | ○ | 026613005102 | 5/8" OD Tube x 1/2" OD Tube | Rough | 5 | 0.9 |
| 42-12-8 | ○ | 026613060118 | 3/4" OD Tube x 1/2" OD Tube | Rough | 5 | 1.4 |
| 42-12-10 | ○ | 026613060101 | 3/4" OD Tube x 5/8" OD Tube | Rough | 5 | 1.2 |



| | | | | | | |
|------------------------------|---|--------------|-------------------------|-------|----|-----|
| Flare Female Adaptors | | | | | | |
| 46-4-4 | ○ | 026613060255 | 1/4" OD Tube x 1/4" FIP | Rough | 10 | 0.4 |
| 46-6-6 | ○ | 026613005225 | 3/8" OD Tube x 3/8" FIP | Rough | 10 | 0.6 |
| 46-8-8 | ○ | 026613005270 | 1/2" OD Tube x 1/2" FIP | Rough | 10 | 1.1 |
| 46-12-12 | ○ | 026613060224 | 3/4" OD Tube x 3/4" FIP | Rough | 5 | 1.1 |



| | | | | | | |
|---------------------------------------|---|--------------|--------------------------|-------|----|-----|
| Flare Female Reducing Adaptors | | | | | | |
| 46-3-2 | ○ | 026613060248 | 3/16" OD Tube x 1/8" FIP | Rough | 10 | 0.4 |
| 46-4-2 | ○ | 026613005331 | 1/4" OD Tube x 1/8" FIP | Rough | 10 | 0.4 |
| 46-4-6 | ○ | 026613060262 | 1/4" OD Tube x 3/8" FIP | Rough | 10 | 0.8 |
| 46-4-8 | ○ | 026613060279 | 1/4" OD Tube x 1/2" FIP | Rough | 10 | 1.0 |
| 46-5-4 | ○ | 026613060293 | 5/16" OD Tube x 1/4" FIP | Rough | 10 | 0.7 |
| 46-6-12 | ○ | 026613005249 | 3/8" OD Tube x 3/4" FIP | Rough | 10 | 0.9 |
| 46-6-2 | ○ | 026613060309 | 3/8" OD Tube x 1/8" FIP | Rough | 10 | 0.6 |
| 46-6-4 | ○ | 026613005218 | 3/8" OD Tube x 1/4" FIP | Rough | 10 | 0.5 |
| 46-6-8 | ○ | 026613005232 | 3/8" OD Tube x 1/2" FIP | Rough | 10 | 0.9 |
| 46-8-12 | ○ | 026613005287 | 1/2" OD Tube x 3/4" FIP | Rough | 10 | 1.3 |
| 46-8-4 | ○ | 026613005256 | 1/2" OD Tube x 1/4" FIP | Rough | 10 | 1.0 |
| 46-8-6 | ○ | 026613005263 | 1/2" OD Tube x 3/8" FIP | Rough | 10 | 0.9 |
| 46-10-6 | ○ | 026613005294 | 5/8" OD Tube x 3/8" FIP | Rough | 5 | 0.7 |
| 46-10-8 | ○ | 026613005300 | 5/8" OD Tube x 1/2" FIP | Rough | 10 | 1.1 |
| 46-12-8 | ○ | 026613060231 | 3/4" OD Tube x 1/2" FIP | Rough | 5 | 1.5 |
| 46-10-12 | ○ | 026613005317 | 5/8" OD Tube x 3/4" FIP | Rough | 10 | 1.3 |
| 46-14-12 | ○ | 026613005324 | 7/8" OD Tube x 3/4" FIP | Rough | 5 | 1.8 |



| | | | | | | |
|----------------------------|---|--------------|-------------------------|-------|----|-----|
| Flare Male Adaptors | | | | | | |
| 48-2-2 | ○ | 026613060453 | 1/8" OD Tube x 1/8" MIP | Rough | 10 | 0.3 |
| 48-4-4 | ○ | 026613005348 | 1/4" OD Tube x 1/4" MIP | Rough | 10 | 0.4 |
| 48-6-6 | ○ | 026613005386 | 3/8" OD Tube x 3/8" MIP | Rough | 10 | 0.7 |
| 48-8-8 | ○ | 026613005430 | 1/2" OD Tube x 1/2" MIP | Rough | 10 | 1.1 |



○ Not for use in potable water applications.



| PART NO. | USE | UPC | DESCRIPTION | FINISH | QTY | LBS |
|------------------------------------|-----|--------------|-------------------------|--------|-----|-----|
| Flare Male Adaptors (cont.) | | | | | | |
| 48-12-12 | ○ | 026613060422 | 3/4" OD Tube x 3/4" MIP | Rough | 5 | 1.3 |

Flare Male Reducing Adaptors



| | | | | | | |
|----------|---|--------------|--------------------------|-------|----|-----|
| 48-3-2 | ○ | 026613060460 | 3/16" OD Tube x 1/8" MIP | Rough | 10 | 0.2 |
| 48-3-4 | ○ | 026613060477 | 3/16" OD Tube x 1/4" MIP | Rough | 10 | 0.4 |
| 48-4-2 | ○ | 026613060484 | 1/4" OD Tube x 1/8" MIP | Rough | 10 | 0.2 |
| 48-4-6 | ○ | 026613060507 | 1/4" OD Tube x 3/8" MIP | Rough | 10 | 0.6 |
| 48-4-8 | ○ | 026613060521 | 1/4" OD Tube x 1/2" MIP | Rough | 10 | 1.0 |
| 48-5-2 | ○ | 026613060545 | 5/16" OD Tube x 1/8" MIP | Rough | 10 | 0.4 |
| 48-5-4 | ○ | 026613005355 | 5/16" OD Tube x 1/4" MIP | Rough | 10 | 0.5 |
| 48-5-6 | ○ | 026613060552 | 5/16" OD Tube x 3/8" MIP | Rough | 10 | 0.5 |
| 48-6-2 | ○ | 026613005362 | 3/8" OD Tube x 1/8" MIP | Rough | 10 | 0.6 |
| 48-6-4 | ○ | 026613005379 | 3/8" OD Tube x 1/4" MIP | Rough | 10 | 0.7 |
| 48-6-8 | ○ | 026613005393 | 3/8" OD Tube x 1/2" MIP | Rough | 10 | 1.1 |
| 48-6-12 | ○ | 026613005409 | 3/8" OD Tube x 3/4" MIP | Rough | 10 | 1.7 |
| 48-8-4 | ○ | 026613005416 | 1/2" OD Tube x 1/4" MIP | Rough | 10 | 1.0 |
| 48-8-6 | ○ | 026613005423 | 1/2" OD Tube x 3/8" MIP | Rough | 10 | 1.1 |
| 48-8-12 | ○ | 026613005447 | 1/2" OD Tube x 3/4" MIP | Rough | 10 | 1.7 |
| 48-10-4 | ○ | 026613060415 | 5/8" OD Tube x 1/4" MIP | Rough | 10 | 1.5 |
| 48-10-6 | ○ | 026613005454 | 5/8" OD Tube x 3/8" MIP | Rough | 5 | 0.7 |
| 48-10-8 | ○ | 026613005461 | 5/8" OD Tube x 1/2" MIP | Rough | 5 | 0.7 |
| 48-10-12 | ○ | 026613005478 | 5/8" OD Tube x 3/4" MIP | Rough | 10 | 1.8 |
| 48-12-8 | ○ | 026613060439 | 3/4" OD Tube x 1/2" MIP | Rough | 5 | 1.3 |
| 48-14-12 | ○ | 026613005485 | 7/8" OD Tube x 3/4" MIP | Rough | 5 | 2.0 |

Flare Female Elbows



| | | | | | | |
|--------|---|--------------|-------------------------|-------|----|-----|
| 50-6-6 | ○ | 026613005584 | 3/8" OD Tube x 3/8" FIP | Rough | 10 | 1.4 |
|--------|---|--------------|-------------------------|-------|----|-----|

Flare Female Reducing Elbows



| | | | | | | |
|----------|---|--------------|-------------------------|-------|----|-----|
| 50-6-8 | ○ | 026613005591 | 3/8" OD Tube x 1/2" FIP | Rough | 10 | 2.1 |
| 50-10-8 | ○ | 026613005621 | 5/8" OD Tube x 1/2" FIP | Rough | 5 | 1.6 |
| 50-10-12 | ○ | 026613005638 | 5/8" OD Tube x 3/4" FIP | Rough | 5 | 1.9 |

Flare Male Elbows



| | | | | | | |
|--------|---|--------------|-------------------------|-------|----|-----|
| 49-4-4 | ○ | 026613005508 | 1/4" OD Tube x 1/4" MIP | Rough | 10 | 0.7 |
| 49-6-6 | ○ | 026613005522 | 3/8" OD Tube x 3/8" MIP | Rough | 10 | 1.4 |
| 49-8-8 | ○ | 026613005560 | 1/2" OD Tube x 1/2" MIP | Rough | 10 | 2.4 |

Flare Male Reducing Elbows



| | | | | | | |
|--------|---|--------------|--------------------------|-------|----|-----|
| 49-3-2 | ○ | 026613063690 | 3/16" OD Tube x 1/8" MIP | Rough | 10 | 0.4 |
| 49-4-2 | ○ | 026613005492 | 1/4" OD Tube x 1/8" MIP | Rough | 10 | 0.5 |
| 49-4-6 | ○ | 026613063706 | 1/4" OD Tube x 3/8" MIP | Rough | 10 | 0.8 |
| 49-5-2 | ○ | 026613063713 | 5/16" OD Tube x 1/8" MIP | Rough | 10 | 0.5 |
| 49-5-4 | ○ | 026613063720 | 5/16" OD Tube x 1/4" MIP | Rough | 10 | 0.7 |

○ Not for use in potable water applications.

| PART NO. | USE | UPC | DESCRIPTION | FINISH | QTY | LBS |
|---|-----|--------------|-------------------------|--------|-----|-----|
| Flare Male Reducing Elbows (cont.) | | | | | | |
| 49-6-2 | ○ | 026613063737 | 3/8" OD Tube x 1/8" MIP | Rough | 10 | 1.2 |
| 49-6-4 | ○ | 026613005515 | 3/8" OD Tube x 1/4" MIP | Rough | 10 | 1.0 |
| 49-6-8 | ○ | 026613005539 | 3/8" OD Tube x 1/2" MIP | Rough | 10 | 1.9 |
| 49-8-4 | ○ | 026613005546 | 1/2" OD Tube x 1/4" MIP | Rough | 10 | 1.7 |
| 49-8-6 | ○ | 026613005553 | 1/2" OD Tube x 3/8" MIP | Rough | 10 | 1.8 |
| 49-10-8 | ○ | 026613005577 | 5/8" OD Tube x 1/2" MIP | Rough | 5 | 1.2 |



| | | | | | | |
|---------------------------|---|--------------|--------------------------|-------|----|-----|
| Flare Union Elbows | | | | | | |
| 55-3 B | ○ | 026613065854 | 3/16" OD Tube, Both Ends | Rough | 10 | 0.4 |
| 55-4 | ○ | 026613063898 | 1/4" OD Tube, Both Ends | Rough | 10 | 0.5 |
| 55-6 | ○ | 026613005645 | 3/8" OD Tube, Both Ends | Rough | 10 | 1.3 |
| 55-8 | ○ | 026613005652 | 1/2" OD Tube, Both Ends | Rough | 10 | 2.0 |
| 55-10 | ○ | 026613005669 | 5/8" OD Tube, Both Ends | Rough | 5 | 1.5 |







| | | | | | | |
|-------------------|---|--------------|---------------------------|-------|----|-----|
| Flare Tees | | | | | | |
| 44-3 | ○ | 026613063584 | 3/16" OD Tube, All 3 Ends | Rough | 10 | 0.5 |
| 44-4 | ○ | 026613005126 | 1/4" OD Tube, All 3 Ends | Rough | 10 | 0.7 |
| 44-5 | ○ | 026613063607 | 5/16" OD Tube, All 3 Ends | Rough | 10 | 0.9 |
| 44-6 | ○ | 026613005133 | 3/8" OD Tube, All 3 Ends | Rough | 10 | 1.7 |
| 44-8 | ○ | 026613005140 | 1/2" OD Tube, All 3 Ends | Rough | 10 | 2.8 |
| 44-10 | ○ | 026613005157 | 5/8" OD Tube, All 3 Ends | Rough | 5 | 1.9 |






| | | | | | | |
|----------------------------|---|--------------|--|-------|----|-----|
| Flare Reducing Tees | | | | | | |
| 44-6-6-8 | ○ | 026613005164 | 3/8" OD Tube x 3/8" OD Tube x 1/2" OD Tube | Rough | 10 | 2.2 |
| 44-8-6-6 | ○ | 026613063638 | 1/2" OD Tube x 3/8" OD Tube x 3/8" OD Tube | Rough | 10 | 2.7 |
| 44-8-6-8 | ○ | 026613063645 | 1/2" OD Tube x 3/8" OD Tube x 1/2" OD Tube | Rough | 10 | 2.7 |
| 44-8-8-6 | ○ | 026613005171 | 1/2" OD Tube x 1/2" OD Tube x 3/8" OD Tube | Rough | 10 | 2.4 |
| 44-10-6-6 | ○ | 026613063560 | 5/8" OD Tube x 3/8" OD Tube x 3/8" OD Tube | Rough | 10 | 2.8 |
| 44-10-10-8 | ○ | 026613063553 | 5/8" OD Tube x 5/8" OD Tube x 1/2" OD Tube | Rough | 10 | 3.5 |




○ Not for use in potable water applications.

| PART NO. | UPC | DESCRIPTION | FINISH | QTY | LBS |
|--|--------------|---|--------|-----|-----|
| Flare Female Adaptors | | | | | |
|  AU1-6S | 026613088501 | 3/8" OD Flare x 3/8" FIP, Steel | Rough | 25 | 1.9 |
| AU1-6-8S | 026613106717 | 3/8" OD Flare x 1/2" FIP, Steel | Rough | 25 | 2.8 |
| AU1-8S | 026613088532 | 1/2" OD Flare x 1/2" FIP, Steel | Rough | 25 | 3.1 |
| AU1-8-12S | 026613088518 | 1/2" OD Flare x 3/4" FIP, Steel | Rough | 25 | 3.3 |
|  AU1-14-12 | 026613132846 | 7/8" OD Flare x 3/4" FIP, Brass | Rough | 10 | 1.8 |
| AU1-14-16 | 026613132853 | 7/8" OD Flare x 1" FIP, Brass | Rough | 10 | 2.9 |
|  MAU1-10-8S | 026613088570 | 5/8" OD Flare (15/16-16 Thread) x 1/2" FIP, Steel | Rough | 25 | 4.2 |
| MAU1-10-12S | 026613082660 | 5/8" OD Flare (15/16-16 Thread) x 3/4" FIP, Steel | Rough | 25 | 4.7 |
|  MAE1-10-12 | 026613084213 | 5/8" OD (15/16-16 Thread) Flare x 3/4" FIP, Brass | Rough | 25 | 8.1 |


Flare Male Adaptors

| | | | | | |
|--|--------------|--|-------|----|-----|
|  AU2-6S | 026613088549 | 3/8" OD Flare x 3/8" MIP, Steel | Rough | 25 | 2.5 |
| AU2-6-8S | 026613106724 | 3/8" OD Flare x 1/2" MIP (3/8" FIP), Steel | Rough | 25 | 3.2 |
| AU2-8S | 026613082646 | 1/2" OD Flare x 1/2" MIP (3/8" FIP), Steel | Rough | 25 | 3.5 |
| AU2-8-6S | 026613053707 | 1/2" OD Flare x 3/8" MIP, Steel | Rough | 10 | 1.1 |
| AU2-8-12S | 026613088563 | 1/2" OD Flare x 3/4" MIP (1/2" FIP), Steel | Rough | 25 | 5.1 |
|  AU2-14-12 | 026613132860 | 7/8" OD Flare x 3/4" MIP (1/2" FIP), Brass | Rough | 10 | 2.6 |
| AU2-14-16 | 026613132877 | 7/8" OD Flare x 1" MIP (3/4" FIP), Brass | Rough | 10 | 4.2 |
|  MAU2-10-8S | 026613082684 | 5/8" OD Flare (15/16-16 Thread) x 1/2" MIP (3/8" FIP), Steel | Rough | 25 | 4.8 |
| MAU2-10-12S | 026613082677 | 5/8" OD Flare (15/16-16 Thread) x 3/4" MIP (1/2" FIP), Steel | Rough | 25 | 6.2 |

Flare Caps

| | | | | | |
|--|--------------|--|-------|----|-----|
|  M40-10 | 026613052069 | 5/8" OD (15/16-16 Thread) Flare, Brass | Rough | 10 | 1.0 |
|--|--------------|--|-------|----|-----|

Gas Connector Nuts

| | | | | | |
|--|--------------|--|-------|----|-----|
|  ASN-10 | 026613082387 | 5/8" OD (15/16-16 Thread) Flare, Steel | Rough | 25 | 2.7 |
|--|--------------|--|-------|----|-----|

| PART NO. | USE | UPC | DESCRIPTION | FINISH | QTY | LBS |
|---|-----|--------------|---------------|--------|-----|-----|
| Flare Refrigeration Nuts - Short | | | | | | |
| 141S-4 | ● | 026613005720 | 1/4" OD Tube | Rough | 10 | 0.4 |
| 141S-5 | ● | 026613058726 | 5/16" OD Tube | Rough | 10 | 0.4 |
| 141S-6 | ● | 026613005737 | 3/8" OD Tube | Rough | 10 | 0.6 |
| 141S-8 | ● | 026613005744 | 1/2" OD Tube | Rough | 10 | 0.8 |
| 141S-10 | ● | 026613005751 | 5/8" OD Tube | Rough | 10 | 1.2 |
| 141S-12 | ● | 026613005768 | 3/4" OD Tube | Rough | 10 | 2.4 |
| 141S-14 | ● | 026613058702 | 7/8" OD Tube | Rough | 5 | 2.1 |



| | | | | | | |
|--|---|--------------|-----------------------------|-------|----|-----|
| Flare Refrigeration Reducing Nuts - Short | | | | | | |
| 141S-6-4 | ● | 026613005775 | 3/8" OD Tube x 1/4" OD Tube | Rough | 10 | 0.5 |
| 141S-8-6 | ● | 026613005782 | 1/2" OD Tube x 3/8" OD Tube | Rough | 10 | 0.8 |
| 141S-10-8 | ● | 026613005799 | 5/8" OD Tube x 1/2" OD Tube | Rough | 10 | 1.2 |



| | | | | | | |
|--|---|--------------|--------------|-------|----|------|
| Flare Refrigeration Nuts - Long | | | | | | |
| 141L-6 B | ● | 026613059235 | 3/8" OD Tube | Rough | 10 | 28.1 |
| 141L-8 | ● | 026613058696 | 1/2" OD Tube | Rough | 10 | 1.1 |
| 141L-10 | ● | 026613058634 | 5/8" OD Tube | Rough | 10 | 2.0 |



| | | | | | | |
|----------------------------|---|--------------|-------------------------|-------|----|-----|
| Flare Female Elbows | | | | | | |
| 150-4-4 | ○ | 026613063072 | 1/4" OD Tube x 1/4" FIP | Rough | 10 | 2.5 |
| 150-6-6 | ○ | 026613063157 | 3/8" OD Tube x 3/8" FIP | Rough | 10 | 0.8 |
| 150-8-8 | ○ | 026613063201 | 1/2" OD Tube x 1/2" FIP | Rough | 10 | 2.5 |



| | | | | | | |
|-------------------------------------|---|--------------|--------------------------|-------|----|-----|
| Flare Female Reducing Elbows | | | | | | |
| 150-4-2 | ○ | 026613063058 | 1/4" OD Tube x 1/8" FIP | Rough | 10 | 0.8 |
| 150-4-6 | ○ | 026613063096 | 1/4" OD Tube x 3/8" FIP | Rough | 10 | 0.8 |
| 150-5-4 | ○ | 026613063119 | 5/16" OD Tube x 1/4" FIP | Rough | 10 | 0.8 |
| 150-6-4 | ○ | 026613063140 | 3/8" OD Tube x 1/4" FIP | Rough | 10 | 0.8 |
| 150-6-8 | ○ | 026613063164 | 3/8" OD Tube x 1/2" FIP | Rough | 10 | 1.3 |
| 150-6-12 | ○ | 026613063126 | 3/8" OD Tube x 3/4" FIP | Rough | 10 | 1.5 |
| 150-8-6 | ○ | 026613063195 | 1/2" OD Tube x 3/8" FIP | Rough | 10 | 1.2 |
| 150-8-12 | ○ | 026613063171 | 1/2" OD Tube x 3/4" FIP | Rough | 10 | 2.1 |
| 150-10-6 | ○ | 026613063027 | 5/8" OD Tube x 3/8" FIP | Rough | 10 | 2.1 |
| 150-10-8 | ○ | 026613082745 | 5/8" OD Tube x 1/2" FIP | Rough | 10 | 2.3 |
| 150-10-12 | ○ | 026613063010 | 5/8" OD Tube x 3/4" FIP | Rough | 10 | 2.3 |



| | | | | | | |
|--------------------------|---|--------------|-------------------------|-------|----|-----|
| Flare Male Elbows | | | | | | |
| 149-2-2 | ○ | 026613062815 | 1/8" OD Tube x 1/8" MIP | Rough | 10 | 0.3 |
| 149-4-4 | ○ | 026613062853 | 1/4" OD Tube x 1/4" MIP | Rough | 10 | 0.5 |
| 149-6-6 | ○ | 026613062952 | 3/8" OD Tube x 3/8" MIP | Rough | 10 | 1.3 |
| 149-8-8 | ○ | 026613063003 | 1/2" OD Tube x 1/2" MIP | Rough | 10 | 1.4 |
| 149-12-12 | ○ | 026613064437 | 3/4" OD Tube x 3/4" MIP | Rough | 25 | 9.8 |



| | | | | | | |
|-----------------------------------|---|--------------|--------------------------|-------|----|-----|
| Flare Male Reducing Elbows | | | | | | |
| 149-3-2 | ○ | 026613062822 | 3/16" OD Tube x 1/8" MIP | Rough | 10 | 0.4 |
| 149-4-2 | ○ | 026613062846 | 1/4" OD Tube x 1/8" MIP | Rough | 10 | 0.4 |
| 149-4-6 | ○ | 026613062860 | 1/4" OD Tube x 3/8" MIP | Rough | 10 | 0.7 |



- Not for use in potable water applications.
- Can be used in potable water applications.

| PART NO. | USE | UPC | DESCRIPTION | FINISH | QTY | LBS |
|---|-----|--------------|--------------------------|--------|-----|-----|
| Flare Male Reducing Elbows (cont.) | | | | | | |
| 149-4-8 | ○ | 026613062877 | 1/4" OD Tube x 1/2" MIP | Rough | 10 | 1.0 |
| 149-5-2 | ○ | 026613062884 | 5/16" OD Tube x 1/8" MIP | Rough | 10 | 0.6 |
| 149-5-4 | ○ | 026613062891 | 5/16" OD Tube x 1/4" MIP | Rough | 10 | 0.7 |
| 149-6-2 | ○ | 026613062938 | 3/8" OD Tube x 1/8" MIP | Rough | 10 | 0.8 |
| 149-6-4 | ○ | 026613062945 | 3/8" OD Tube x 1/4" MIP | Rough | 10 | 1.0 |
| 149-6-8 | ○ | 026613062969 | 3/8" OD Tube x 1/2" MIP | Rough | 10 | 1.9 |
| 149-6-12 | ○ | 026613062921 | 3/8" OD Tube x 3/4" MIP | Rough | 10 | 1.8 |
| 149-8-4 | ○ | 026613062983 | 1/2" OD Tube x 1/4" MIP | Rough | 10 | 1.2 |
| 149-8-6 | ○ | 026613062990 | 1/2" OD Tube x 3/8" MIP | Rough | 10 | 1.8 |
| 149-8-12 | ○ | 026613062976 | 1/2" OD Tube x 3/4" MIP | Rough | 10 | 2.1 |
| 149-10-4 | ○ | 026613062778 | 5/8" OD Tube x 1/4" MIP | Rough | 10 | 1.7 |
| 149-10-6 | ○ | 026613062785 | 5/8" OD Tube x 3/8" MIP | Rough | 10 | 2.4 |
| 149-10-8 | ○ | 026613062792 | 5/8" OD Tube x 1/2" MIP | Rough | 5 | 1.0 |
| 149-10-12 | ○ | 026613062761 | 5/8" OD Tube x 3/4" MIP | Rough | 5 | 1.5 |
| 149-12-8 | ○ | 026613062808 | 3/4" OD Tube x 1/2" MIP | Rough | 10 | 3.5 |



Flare Union Elbows

| | | | | | | |
|--------|---|--------------|-------------------------|-------|----|-----|
| 155-4 | ○ | 026613063447 | 1/4" OD Tube, Both Ends | Rough | 10 | 0.4 |
| 155-6 | ○ | 026613063461 | 3/8" OD Tube, Both Ends | Rough | 10 | 0.9 |
| 155-8 | ○ | 026613005676 | 1/2" OD Tube, Both Ends | Rough | 10 | 1.4 |
| 155-10 | ○ | 026613063386 | 5/8" OD Tube, Both Ends | Rough | 10 | 2.1 |



Flare Reducing Union Elbows

| | | | | | | |
|----------|---|--------------|-----------------------------|-------|----|-----|
| 155-8-6 | ○ | 026613063485 | 1/2" OD Tube x 3/8" OD Tube | Rough | 10 | 1.3 |
| 155-10-8 | ○ | 026613005683 | 5/8" OD Tube x 1/2" OD Tube | Rough | 5 | 1.1 |



Flare 45° Male Elbows

| | | | | | | |
|---------|---|--------------|-------------------------|-------|----|-----|
| 159-4-4 | ○ | 026613063515 | 1/4" OD Tube x 1/4" MIP | Rough | 10 | 0.6 |
| 159-6-6 | ○ | 026613063539 | 3/8" OD Tube x 3/8" MIP | Rough | 10 | 1.1 |



Flare 45° Male Reducing Elbows

| | | | | | | |
|----------|---|--------------|-------------------------|-------|----|-----|
| 159-4-2 | ○ | 026613063508 | 1/4" OD Tube x 1/8" MIP | Rough | 10 | 0.4 |
| 159-6-4 | ○ | 026613063522 | 3/8" OD Tube x 1/4" MIP | Rough | 10 | 0.9 |
| 159-8-6 | ○ | 026613063546 | 1/2" OD Tube x 3/8" MIP | Rough | 10 | 1.3 |
| 159-10-8 | ○ | 026613063492 | 5/8" OD Tube x 1/2" MIP | Rough | 10 | 1.8 |



Swivel Flare Nut Connectors

| | | | | | | |
|-----------|---|--------------|--------------------------|-------|----|-----|
| 114FSV-4 | ● | 026613058597 | 1/4" OD Tube, Both Ends | Rough | 10 | 1.0 |
| 114FSV-5 | ● | 026613058603 | 5/16" OD Tube, Both Ends | Rough | 5 | 0.4 |
| 114FSV-6 | ● | 026613058610 | 3/8" OD Tube, Both Ends | Rough | 10 | 1.3 |
| 114FSV-8 | ● | 026613058627 | 1/2" OD Tube, Both Ends | Rough | 10 | 1.8 |
| 114FSV-10 | ● | 026613058580 | 5/8" OD Tube, Both Ends | Rough | 5 | 1.3 |



○ Not for use in potable water applications.

● Can be used in potable water applications.

| PART NO. | USE | UPC | DESCRIPTION | FINISH | QTY | LBS |
|-------------------|-----|--------------|---------------------------|--------|-----|-----|
| Flare Tees | | | | | | |
| 144-4 | ○ | 026613062532 | 1/4" OD Tube, All 3 Ends | Rough | 10 | 0.5 |
| 144-5 | ○ | 026613062556 | 5/16" OD Tube, All 3 Ends | Rough | 10 | 0.9 |
| 144-6 | ○ | 026613062563 | 3/8" OD Tube, All 3 Ends | Rough | 10 | 1.2 |
| 144-8 | ○ | 026613062594 | 1/2" OD Tube, All 3 Ends | Rough | 10 | 1.9 |
| 144-10 | ○ | 026613062433 | 5/8" OD Tube, All 3 Ends | Rough | 10 | 3.0 |



| | | | | | | |
|----------------------------|---|--------------|--|-------|----|-----|
| Flare Reducing Tees | | | | | | |
| 144-6-6-4 | ○ | 026613062587 | 3/8" OD Tube x 3/8" OD Tube x 1/4" OD Tube | Rough | 10 | 1.0 |
| 144-8-6-6 | ○ | 026613062600 | 1/2" OD Tube x 3/8" OD Tube x 3/8" OD Tube | Rough | 10 | 1.8 |
| 144-8-6-8 | ○ | 026613062617 | 1/2" OD Tube x 3/8" OD Tube x 1/2" OD Tube | Rough | 10 | 1.8 |
| 144-8-8-6 | ○ | 026613007007 | 1/2" OD Tube x 1/2" OD Tube x 3/8" OD Tube | Rough | 10 | 1.9 |
| 144-8-8-10 | ○ | 026613007014 | 1/2" OD Tube x 1/2" OD Tube x 5/8" OD Tube | Rough | 5 | 1.4 |
| 144-10-10-6 | ○ | 026613062440 | 5/8" OD Tube x 5/8" OD Tube x 3/8" OD Tube | Rough | 5 | 1.3 |
| 144-10-10-8 | ○ | 026613007021 | 5/8" OD Tube x 5/8" OD Tube x 1/2" OD Tube | Rough | 5 | 1.4 |



| | | | | | | |
|---|---|--------------|--|-------|----|-----|
| Flare Female Reducing Tees (FIP on Branch) | | | | | | |
| 136-6-8 | ○ | 026613062402 | 3/8" OD Tube x 3/8" OD Tube x 1/2" FIP | Rough | 10 | 1.9 |



| | | | | | | |
|---|---|--------------|--|-------|----|-----|
| Flare Male Tee Adaptors (MIP on Run) | | | | | | |
| 151-4-2 | ○ | 026613063232 | 1/4" OD Tube x 1/8" MIP x 1/4" OD Tube | Rough | 10 | 1.0 |
| 151-4-4 | ○ | 026613063249 | 1/4" OD Tube x 1/4" MIP x 1/4" OD Tube | Rough | 10 | 0.8 |
| 151-6-4 | ○ | 026613063287 | 3/8" OD Tube x 1/4" MIP x 3/8" OD Tube | Rough | 10 | 1.1 |
| 151-6-6 | ○ | 026613063294 | 3/8" OD Tube x 3/8" MIP x 3/8" OD Tube | Rough | 10 | 1.3 |
| 151-8-8 | ○ | 026613006956 | 1/2" OD Tube x 1/2" MIP x 1/2" OD Tube | Rough | 10 | 2.3 |
| 151-10-8 | ○ | 026613063218 | 5/8" OD Tube x 1/2" MIP x 5/8" OD Tube | Rough | 5 | 1.4 |



| | | | | | | |
|--|---|--------------|--|-------|----|-----|
| Flare Male Tee Adaptors (MIP on Branch) | | | | | | |
| 145-3-2 | ○ | 026613062662 | 3/16" OD Tube x 3/16" OD Tube x 1/8" MIP | Rough | 10 | 0.5 |
| 145-4-2 | ○ | 026613062679 | 1/4" OD Tube x 1/4" OD Tube x 1/2" MIP | Rough | 10 | 0.5 |
| 145-4-4 | ○ | 026613062686 | 1/4" OD Tube x 1/4" OD Tube x 1/4" MIP | Rough | 10 | 0.7 |
| 145-6-4 | ○ | 026613062716 | 3/8" OD Tube x 3/8" OD Tube x 1/4" MIP | Rough | 10 | 1.3 |
| 145-6-6 | ○ | 026613005805 | 3/8" OD Tube x 3/8" OD Tube x 3/8" MIP | Rough | 10 | 1.3 |
| 145-6-8 | ○ | 026613062730 | 3/8" OD Tube x 3/8" OD Tube x 1/2" MIP | Rough | 10 | 2.2 |
| 145-8-6 | ○ | 026613062747 | 1/2" OD Tube x 1/2" OD Tube x 3/8" MIP | Rough | 10 | 1.8 |
| 145-8-8 | ○ | 026613005829 | 1/2" OD Tube x 1/2" OD Tube x 1/2" MIP | Rough | 10 | 2.3 |
| 145-10-8 | ○ | 026613062631 | 5/8" OD Tube x 5/8" OD Tube x 1/2" MIP | Rough | 5 | 1.4 |



| | | | | | | |
|-------------------------|---|--------------|------------------------|-------|----|-----|
| Flare Cross Tees | | | | | | |
| 152-8 | ○ | 026613005843 | 1/2" OD Tube, All Ends | Rough | 10 | 2.4 |



○ Not for use in potable water applications.



| PART NO. | USE | UPC | DESCRIPTION | FINISH | QTY | LBS |
|-------------------------------|-----|--------------|-------------------------------|--------|-----|-----|
| Fine Thread Flare Caps | | | | | | |
| FC-6 | ○ | 026613059037 | 3/8" OD Tube (9/16-24 Thread) | Rough | 10 | 0.3 |



| | | | | | | |
|-------------------------------|---|--------------|-------------------------------|--------|----|-----|
| Fine Thread Flare Nuts | | | | | | |
| F0-6 | ● | 026613004785 | 3/8" OD Tube (9/16-24 Thread) | Rough | 10 | 0.2 |
| F0-6 C | ● | 026613059877 | 3/8" OD Tube (9/16-24 Thread) | Chrome | 10 | 0.2 |
| F0-8 | ● | 026613967349 | 1/2" OD Tube (9/16-24 Thread) | Rough | 10 | 0.4 |
| F0-8 C | ● | 026613059884 | 1/2" OD Tube (9/16-24 Thread) | Chrome | 10 | 0.4 |



| | | | | | | |
|--|---|--------------|--|--------|----|-----|
| Fine Thread Flare Reducing Nuts | | | | | | |
| F0-6-4 R | ● | 026613058962 | 3/8" OD Tube (9/16-24 Thread) x 1/4" OD Tube | Rough | 10 | 0.3 |
| F0-6-4 C | ● | 026613059846 | 3/8" OD Tube (9/16-24 Thread) x 1/4" OD Tube | Chrome | 10 | 0.3 |



| | | | | | | |
|---------------------------------|---|--------------|--|-------|----|-----|
| Fine Thread Flare Unions | | | | | | |
| FU3-6 | ○ | 026613005119 | 3/8" OD Tube (9/16-24 Thread), Both Ends | Rough | 10 | 0.5 |



| | | | | | | |
|--|---|--------------|--|-------|----|-----|
| Fine Thread Flare Female Adaptors | | | | | | |
| F10-6 | ○ | 026613004792 | 3/8" OD Tube (9/16-24 Thread) x 3/8" FIP | Rough | 10 | 0.5 |
| F12-6-8 | ○ | 026613004808 | 3/8" OD Tube (9/16-24 Thread) x 1/2" FIP | Rough | 10 | 0.7 |



| | | | | | | |
|--|---|--------------|---|-------|----|-----|
| Fine Thread Flare Male Adaptors | | | | | | |
| FRC11-6 | ○ | 026613004761 | 3/8" OD Tube (9/16-24 Thread) x 3/8" MIP (Tapped 1/8" FIP) | Rough | 10 | 0.6 |
| FRC13-6-8 | ○ | 026613004778 | 3/8" OD Tube (9/16-24 Thread) x 1/2" MIP (Tapped 3/8" FIP) | Rough | 10 | 0.8 |



| | | | | | | |
|--------------------------------------|---|--------------|--|-------|----|-----|
| Fine Thread Flare Male Elbows | | | | | | |
| FRC16-6 | ○ | 026613064031 | 3/8" OD Tube (9/16-24 Thread) x 3/8" MIP | Rough | 10 | 1.0 |
| FRC18-6-8 | ○ | 026613064048 | 3/8" OD Tube (9/16-24 Thread) x 1/2" MIP | Rough | 10 | 1.3 |



| | | | | | | |
|-------------------------------|---|--------------|---|-------|----|-----|
| Fine Thread Flare Tees | | | | | | |
| FT3-6 | ○ | 026613064055 | 3/8" OD Tube (9/16-24 Thread), All 3 Ends | Rough | 10 | 1.4 |

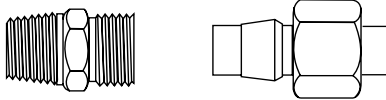
○ Not for use in potable water applications.

● Can be used in potable water applications.

Brass Compression Fittings

Product Applications

- For use with potable water, instrumentation, hydraulic and pneumatic systems.
- Designed to be used with aluminum, copper and plastic tubing. Not recommended for steel tubing. Plastic tubing requires 63PT insert and 60PT sleeve.



WARNING: Do not use compression fittings for gas connections of any kind.

Product Advantages

- BrassCraft® Compression Fittings do not require any flaring, soldering or other type of tubing preparation.
- Available in a broad range of sizes and styles.
- Manufactured from brass rod.
- Backed by BrassCraft Mfg.'s 65 plus year history and reputation for quality and service.

Working Pressure Ranges

- Operating temperatures and tubing type are important factors. The following table (73° F temperature with copper tubing) is a good guide to use for proper selection.

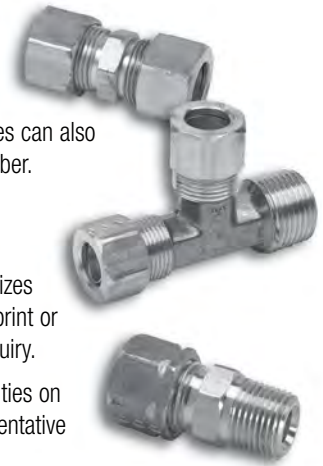
| PSI | Tube OD (IN) | Tube Wall (IN) |
|-----|--------------|----------------|
| 400 | 1/8 | .030 |
| 400 | 3/16 | .030 |
| 300 | 1/4 | .030 |
| 300 | 5/16 | .032 |
| 200 | 3/8 | .032 |
| 200 | 1/2 | .032 |
| 150 | 5/8 | .035 |
| 100 | 3/4 | .035 |
| 75 | 7/8 | .035 |

How to Order

- Ordered as complete assemblies (body, nut, sleeve). Nuts and sleeves can also be ordered separately by part number.

Special Orders

- Special fitting configurations and sizes may be ordered. Please furnish a print or sketch of your needs with your inquiry.
- Fittings are available in bulk quantities on request. Contact your sales representative for details.

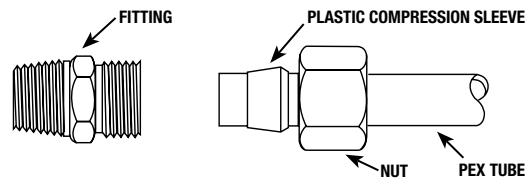


Assembly Instructions

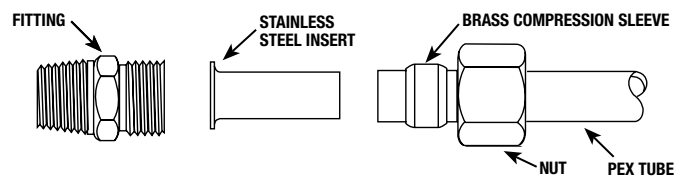
1. For use with type L or M copper only. A drop of oil or thread sealant will make tightening easier. If using a drop of oil or thread sealant, be sure that threads are clean of any debris and that sealant is also free of any metal debris. DO NOT USE a "PUTTY" or gasket type material.
2. Cut tubing to required length.
3. Slide nut and then sleeve onto tubing. Threaded end of nut must face toward fitting.
4. Insert tubing into fitting body, making sure tubing is bottomed on fitting shoulder.
5. Assemble nut to fitting body, hand tighten.
6. Tighten with a wrench 1/2 turn after nut begins to take hold or bite.

PEX Tube Compression Connection

For PEX Tube 3/8" OD and smaller, use plastic compression sleeve.



For PEX Tube larger than 3/8" OD, use brass compression sleeve with stainless steel tube insert.



| PART NO. | USE | UPC | DESCRIPTION | FINISH | QTY | LBS |
|--------------------------|-----|--------------|------------------|--------|-----|-----|
| Compression Plugs | | | | | | |
| CSP-4 | ○ | 026613066257 | For 1/4" OD Tube | Rough | 10 | 0.1 |
| CSP-4X | ▲ | 026613149486 | For 1/4" OD Tube | Rough | 10 | 0.1 |
| CSP-6 | ○ | 026613066271 | For 3/8" OD Tube | Rough | 10 | 0.1 |
| CSP-6X | ▲ | 026613149509 | For 3/8" OD Tube | Rough | 10 | 0.1 |
| CSP-8 | ○ | 026613066288 | For 1/2" OD Tube | Rough | 10 | 0.2 |
| CSP-8X | ▲ | 026613149523 | For 1/2" OD Tube | Rough | 10 | 0.2 |
| CSP-10 | ○ | 026613066240 | For 5/8" OD Tube | Rough | 10 | 0.2 |
| CSP-10X | ▲ | 026613149479 | For 5/8" OD Tube | Rough | 10 | 0.3 |



| | | | | | | |
|----------------------------|---|--------------|-------------------|-------|----|-----|
| Compression Sleeves | | | | | | |
| 60-2 | ● | 026613005904 | For 1/8" OD Tube | Brass | 10 | .01 |
| 60-3 | ● | 026613005911 | For 3/16" OD Tube | Brass | 10 | .02 |
| 60-4 | ● | 026613005928 | For 1/4" OD Tube | Brass | 10 | .02 |
| 60-5 | ● | 026613005935 | For 5/16" OD Tube | Brass | 10 | .04 |
| 60-6 | ● | 026613005942 | For 3/8" OD Tube | Brass | 10 | .03 |
| 60-7 | ● | 026613005959 | For 7/16" OD Tube | Brass | 10 | 0.1 |
| 60-8 | ● | 026613005966 | For 1/2" OD Tube | Brass | 10 | 0.1 |
| 60-10 | ● | 026613005973 | For 5/8" OD Tube | Brass | 5 | .04 |
| 60-12 | ● | 026613066059 | For 3/4" OD Tube | Brass | 5 | 0.1 |
| 60-14 | ● | 026613005980 | For 7/8" OD Tube | Brass | 5 | 0.1 |



| | | | | | | |
|-------------------------|---|--------------|--------------|-------|----|-----|
| Compression Caps | | | | | | |
| 61CP-4 | ○ | 026613024561 | 1/4" OD Tube | Rough | 10 | 0.1 |
| 61CP-4X | ▲ | 026613154411 | 1/4" OD Tube | Rough | 10 | 0.1 |
| 61CP-6 | ○ | 026613024578 | 3/8" OD Tube | Rough | 10 | 0.2 |
| 61CP-6X | ▲ | 026613154428 | 3/8" OD Tube | Rough | 10 | 0.2 |
| 61CP-8 | ○ | 026613024585 | 1/2" OD Tube | Rough | 10 | 0.4 |
| 61CP-8X | ▲ | 026613154435 | 1/2" OD Tube | Rough | 10 | 0.4 |
| 61CP-10 | ○ | 026613024592 | 5/8" OD Tube | Rough | 10 | 0.4 |
| 61CP-10X | ▲ | 026613154404 | 5/8" OD Tube | Rough | 10 | 0.6 |



| | | | | | | |
|-------------------------|---|--------------|---------------|-------|----|-----|
| Compression Nuts | | | | | | |
| 61-2 | ● | 026613066073 | 1/8" OD Tube | Rough | 10 | 0.1 |
| 61-3 | ● | 026613006048 | 3/16" OD Tube | Rough | 10 | 0.1 |
| 61-4 | ● | 026613006055 | 1/4" OD Tube | Rough | 10 | 0.1 |
| 61-5 | ● | 026613006062 | 5/16" OD Tube | Rough | 10 | 0.2 |
| 61-6 | ● | 026613006079 | 3/8" OD Tube | Rough | 10 | 0.2 |
| 61-7 | ● | 026613066080 | 7/16" OD Tube | Rough | 10 | 0.2 |
| 61-8 | ● | 026613006086 | 1/2" OD Tube | Rough | 10 | 0.4 |
| 61-10 | ● | 026613006093 | 5/8" OD Tube | Rough | 5 | 0.2 |
| 61-12 | ● | 026613066066 | 3/4" OD Tube | Rough | 10 | 0.8 |
| 61-14 | ● | 026613006109 | 7/8" OD Tube | Rough | 5 | 0.4 |



○ Not for use in potable water applications.

● Can be used in potable water applications.

▲ Certified Compliant to NSF/ANSI 372 for potable water applications

| PART NO. | USE | UPC | DESCRIPTION | FINISH | QTY | LBS |
|--------------------------------|-----|--------------|--------------|--------|-----|-----|
| Compression Nuts - Long | | | | | | |
| 61L-4 | ● | 026613006116 | 1/4" OD Tube | Rough | 10 | 0.2 |
| 61L-6 | ● | 026613006123 | 3/8" OD Tube | Rough | 10 | 0.4 |
| 61L-12 | ● | 026613066202 | 3/4" OD Tube | Rough | 5 | 1.0 |



| | | | | | | |
|---------------------------|---|--------------|---|--------|----|-----|
| Compression Unions | | | | | | |
| 62-2 | ○ | 026613006147 | 1/8" OD Tube, Both Ends | Rough | 10 | 0.3 |
| 62-3 | ○ | 026613006154 | 3/16" OD Tube, Both Ends | Rough | 10 | 0.4 |
| 62-4 | ○ | 026613006161 | 1/4" OD Tube, Both Ends | Rough | 10 | 0.5 |
| 62-4X | ▲ | 026613135403 | 1/4" OD Tube, Both Ends | Rough | 10 | 0.5 |
| 62-4DT | ○ | 026613068756 | 1/4" OD Tube, Drill Through (No Tube Stop), Both Ends | Rough | 50 | 2.4 |
| 62-4DTX | ▲ | 026613147833 | 1/4" OD Tube, Drill Through (No Tube Stop), Both Ends | Rough | 50 | 2.4 |
| 62-5 | ○ | 026613006178 | 5/16" OD Tube, Both Ends | Rough | 10 | 0.7 |
| 62-6 | ○ | 026613006185 | 3/8" OD Tube, Both Ends | Rough | 10 | 0.8 |
| 62-6X | ▲ | 026613136899 | 3/8" OD Tube, Both Ends | Rough | 10 | 0.7 |
| 62-6X C | ▲ | 026613147888 | 3/8" OD Tube, Both Ends | Chrome | 10 | 0.7 |
| 62-6DT | ○ | 026613067308 | 3/8" OD Tube, Drill Through (No Tube Stop), Both Ends | Rough | 25 | 1.8 |
| 62-6DTX | ▲ | 026613147871 | 3/8" OD Tube, Drill Through (No Tube Stop), Both Ends | Rough | 25 | 1.8 |
| 62-7 | ○ | 026613067315 | 7/16" OD Tube, Both Ends | Rough | 10 | 0.9 |
| 62-8 | ○ | 026613006192 | 1/2" OD Tube, Both Ends | Rough | 10 | 1.3 |
| 62-8X | ▲ | 026613136905 | 1/2" OD Tube, Both Ends | Rough | 10 | 1.3 |
| 62-8DT | ○ | 026613067322 | 1/2" OD Tube, Drill Through (No Tube Stop), Both Ends | Rough | 25 | 3.1 |
| 62-10 | ○ | 026613006208 | 5/8" OD Tube, Both Ends | Rough | 10 | 1.8 |
| 62-10X | ▲ | 026613136783 | 5/8" OD Tube, Both Ends | Rough | 10 | 1.8 |
| 62-10DT | ○ | 026613067230 | 5/8" OD Tube, Drill Through (No Tube Stop), Both Ends | Rough | 10 | 1.7 |
| 62-10DTX | ▲ | 026613147802 | 5/8" OD Tube, Drill Through (No Tube Stop), Both Ends | Rough | 10 | 1.7 |
| 62-12 | ○ | 026613006215 | 3/4" OD Tube, Both Ends | Rough | 10 | 3.5 |
| 62-14 | ○ | 026613006222 | 7/8" OD Tube, Both Ends | Rough | 10 | 3.1 |
| 62-14X | ▲ | 026613136806 | 7/8" OD Tube, Both Ends | Rough | 10 | 3.1 |
| 62-14DT | ○ | 026613067254 | 7/8" OD Tube, Drill Through (No Tube Stop), Both Ends | Rough | 10 | 3.2 |



| | | | | | | |
|------------------------------------|---|--------------|------------------------------|--------|----|-----|
| Compression Reducing Unions | | | | | | |
| 62-4-2 | ○ | 026613067261 | 1/4" OD Tube x 1/8" OD Tube | Rough | 10 | 0.7 |
| 62-4-3 | ○ | 026613067278 | 1/4" OD Tube x 3/16" OD Tube | Rough | 10 | 0.8 |
| 62-5-4 | ○ | 026613067285 | 5/16" OD Tube x 1/4" OD Tube | Rough | 10 | 0.9 |
| 62-6-4 | ○ | 026613006239 | 3/8" OD Tube x 1/4" OD Tube | Rough | 10 | 0.7 |
| 62-6-4X | ▲ | 026613135427 | 3/8" OD Tube x 1/4" OD Tube | Rough | 10 | 0.7 |
| 62-6-5 | ○ | 026613067292 | 3/8" OD Tube x 5/16" OD Tube | Rough | 10 | 0.8 |
| 62-8-6 | ○ | 026613006246 | 1/2" OD Tube x 3/8" OD Tube | Rough | 10 | 1.1 |
| 62-8-6 C | ○ | 026613069029 | 1/2" OD Tube x 3/8" OD Tube | Chrome | 10 | 1.1 |



- Not for use in potable water applications.
- Can be used in potable water applications.
- ▲ Certified Compliant to NSF/ANSI 372 for potable water applications

| PART NO. | USE | UPC | DESCRIPTION | FINISH | QTY | LBS |
|--|-----|--------------|-----------------------------|--------|-----|-----|
| Compression Reducing Unions (cont.) | | | | | | |
| 62-8-6X | ▲ | 026613136912 | 1/2" OD Tube x 3/8" OD Tube | Rough | 10 | 1.1 |
| 62-10-6 | ○ | 026613006253 | 5/8" OD Tube x 3/8" OD Tube | Rough | 10 | 1.4 |
| 62-10-6X | ▲ | 026613136776 | 5/8" OD Tube x 3/8" OD Tube | Rough | 10 | 1.4 |
| 62-10-8 | ○ | 026613006260 | 5/8" OD Tube x 1/2" OD Tube | Rough | 5 | 0.9 |
| 62-10-8X | ▲ | 026613147772 | 5/8" OD Tube x 1/2" OD Tube | Rough | 5 | 0.9 |



Compression Female Adaptors

| | | | | | | |
|----------|---|--------------|---|--------|----|-----|
| 10 R | ○ | 026613053691 | 3/8" OD Tube, Drill Through (No Tube Stop) x 3/8" FIP | Rough | 25 | 1.5 |
| 10 C | ○ | 026613053684 | 3/8" OD Tube, Drill Through (No Tube Stop) x 3/8" FIP | Chrome | 25 | 1.5 |
| 10X C | ▲ | 026613145266 | 3/8" OD Tube, Drill Through (No Tube Stop) x 3/8" FIP | Chrome | 25 | 1.5 |
| 32 C | ○ | 026613053974 | 1/2" OD Tube, Drill Through (No Tube Stop) x 1/2" FIP | Chrome | 10 | 0.9 |
| 66-12-12 | ○ | 026613067568 | 3/4" OD Tube x 3/4" FIP | Rough | 10 | 2.5 |
| 66-2-2 | ○ | 026613067582 | 1/8" OD Tube x 1/8" FIP | Rough | 10 | 0.3 |
| 66-4-4 | ○ | 026613006437 | 1/4" OD Tube x 1/4" FIP | Rough | 10 | 0.6 |
| 66-4-4X | ▲ | 026613136226 | 1/4" OD Tube x 1/4" FIP | Rough | 10 | 0.6 |
| 66-6-6 | ○ | 026613006475 | 3/8" OD Tube x 3/8" FIP | Rough | 10 | 0.6 |
| 66-6-6X | ▲ | 026613136202 | 3/8" OD Tube x 3/8" FIP | Rough | 10 | 0.6 |
| 66-8-8 | ○ | 026613006505 | 1/2" OD Tube x 1/2" FIP | Rough | 10 | 0.9 |
| 66-8-8X | ▲ | 026613148274 | 1/2" OD Tube x 1/2" FIP | Rough | 10 | 0.9 |



Compression Female Reducing Adaptors

| | | | | | | |
|---------|---|--------------|---|--------|----|-----|
| 12 R | ○ | 026613053820 | 3/8" OD Tube, Drill Through (No Tube Stop) x 1/2" FIP | Rough | 25 | 1.8 |
| 12X R | ▲ | 026613146188 | 3/8" OD Tube, Drill Through (No Tube Stop) x 1/2" FIP | Rough | 25 | 1.8 |
| 12 C | ○ | 026613053813 | 3/8" OD Tube, Drill Through (No Tube Stop) x 1/2" FIP | Chrome | 25 | 1.8 |
| 12X C | ▲ | 026613146171 | 3/8" OD Tube, Drill Through (No Tube Stop) x 1/2" FIP | Chrome | 25 | 1.8 |
| 30 C | ○ | 026613053936 | 1/2" OD Tube, Drill Through (No Tube Stop) x 3/8" FIP | Chrome | 25 | 2.0 |
| 66-3-2 | ○ | 026613006406 | 3/16" OD Tube x 1/8" FIP | Rough | 10 | 0.4 |
| 66-3-4 | ○ | 026613006413 | 3/16" OD Tube x 1/4" FIP | Rough | 10 | 0.6 |
| 66-4-2 | ○ | 026613006420 | 1/4" OD Tube x 1/8" FIP | Rough | 10 | 0.4 |
| 66-4-2X | ▲ | 026613148168 | 1/4" OD Tube x 1/8" FIP | Rough | 10 | 0.4 |
| 66-4-6 | ○ | 026613067599 | 1/4" OD Tube x 3/8" FIP | Rough | 10 | 0.7 |
| 66-4-6X | ▲ | 026613148199 | 1/4" OD Tube x 3/8" FIP | Rough | 10 | 0.5 |
| 66-4-8 | ○ | 026613067605 | 1/4" OD Tube x 1/2" FIP | Rough | 10 | 0.8 |
| 66-4-8X | ▲ | 026613148205 | 1/4" OD Tube x 1/2" FIP | Rough | 10 | 0.7 |
| 66-5-4 | ○ | 026613006451 | 5/16" OD Tube x 1/4" FIP | Rough | 10 | 0.6 |
| 66-5-6 | ○ | 026613067612 | 5/16" OD Tube x 3/8" FIP | Rough | 10 | 0.8 |
| 66-6-12 | ○ | 026613067629 | 3/8" OD Tube x 3/4" FIP | Rough | 25 | 3.7 |
| 66-6-2 | ○ | 026613067636 | 3/8" OD Tube x 1/8" FIP | Rough | 10 | 0.5 |



○ Not for use in potable water applications.

▲ Certified Compliant to NSF/ANSI 372 for potable water applications

| PART NO. | USE | UPC | DESCRIPTION | FINISH | QTY | LBS |
|---|-----|--------------|-------------------------|--------|-----|-----|
| Compression Female Reducing Adaptors (cont.) | | | | | | |
| 66-6-2X | ▲ | 026613137681 | 3/8" OD Tube x 1/8" FIP | Rough | 10 | 0.5 |
| 66-6-4 | ○ | 026613006468 | 3/8" OD Tube x 1/4" FIP | Rough | 10 | 0.6 |
| 66-6-4X | ▲ | 026613148212 | 3/8" OD Tube x 1/4" FIP | Rough | 10 | 0.6 |
| 66-6-8 | ○ | 026613006499 | 3/8" OD Tube x 1/2" FIP | Rough | 10 | 0.7 |
| 66-6-8X | ▲ | 026613136189 | 3/8" OD Tube x 1/2" FIP | Rough | 10 | 0.7 |
| 66-6-8 C | ○ | 026613067650 | 3/8" OD Tube x 1/2" FIP | Chrome | 10 | 0.7 |
| 66-6-8X C | ▲ | 026613148236 | 3/8" OD Tube x 1/2" FIP | Chrome | 10 | 0.7 |
| 66-8-12 | ○ | 026613068336 | 1/2" OD Tube x 3/4" FIP | Rough | 25 | 4.3 |
| 66-8-4 | ○ | 026613067667 | 1/2" OD Tube x 1/4" FIP | Rough | 10 | 1.0 |
| 66-8-6 | ○ | 026613006482 | 1/2" OD Tube x 3/8" FIP | Rough | 10 | 0.8 |
| 66-8-6X | ▲ | 026613148250 | 1/2" OD Tube x 3/8" FIP | Rough | 10 | 0.8 |
| 66-10-6 | ○ | 026613006512 | 5/8" OD Tube x 3/8" FIP | Rough | 5 | 0.6 |
| 66-10-6X | ▲ | 026613148120 | 5/8" OD Tube x 3/8" FIP | Rough | 5 | 0.6 |
| 66-10-8 | ○ | 026613006529 | 5/8" OD Tube x 1/2" FIP | Rough | 5 | 0.7 |
| 66-10-8X | ▲ | 026613135441 | 5/8" OD Tube x 1/2" FIP | Rough | 5 | 0.7 |
| 66-10-12 | ○ | 026613006536 | 5/8" OD Tube x 3/4" FIP | Rough | 5 | 0.8 |
| 66-10-12X | ▲ | 026613148113 | 5/8" OD Tube x 3/4" FIP | Rough | 5 | 0.9 |
| 66-12-8 | ○ | 026613067575 | 3/4" OD Tube x 1/2" FIP | Rough | 5 | 1.3 |
| 66-14-12 | ○ | 026613006543 | 7/8" OD Tube x 3/4" FIP | Rough | 5 | 1.3 |
| 66-14-12X | ▲ | 026613148144 | 7/8" OD Tube x 3/4" FIP | Rough | 5 | 1.3 |



Compression Male Adaptors

| | | | | | | |
|-----------|---|--------------|---|--------|----|-----|
| 11 R | ○ | 026613053806 | 3/8" OD Tube, Drill Through (No Tube Stop) x 3/8" MIP | Rough | 25 | 1.7 |
| 11X R | ▲ | 026613145297 | 3/8" OD Tube, Drill Through (No Tube Stop) x 3/8" MIP | Rough | 25 | 1.7 |
| 11 C | ○ | 026613053790 | 3/8" OD Tube, Drill Through (No Tube Stop) x 3/8" MIP | Chrome | 25 | 1.7 |
| 11X C | ▲ | 026613136172 | 3/8" OD Tube, Drill Through (No Tube Stop) x 3/8" MIP | Chrome | 25 | 1.7 |
| 33 C | ○ | 026613053998 | 1/2" OD Tube, Drill Through (No Tube Stop) x 1/2" MIP | Chrome | 25 | 3.0 |
| 33X C | ▲ | 026613147703 | 1/2" OD Tube, Drill Through (No Tube Stop) x 1/2" MIP | Chrome | 25 | 3.0 |
| 68-2-2 | ○ | 026613006550 | 1/8" OD Tube x 1/8" MIP | Rough | 10 | 0.3 |
| 68-4-4 | ○ | 026613006598 | 1/4" OD Tube x 1/4" MIP | Rough | 10 | 0.5 |
| 68-4-4X | ▲ | 026613136639 | 1/4" OD Tube x 1/4" MIP | Rough | 10 | 0.5 |
| 68-6-6 | ○ | 026613006642 | 3/8" OD Tube x 3/8" MIP | Rough | 10 | 0.7 |
| 68-6-6X | ▲ | 026613136646 | 3/8" OD Tube x 3/8" MIP | Rough | 10 | 0.7 |
| 68-6-6X C | ▲ | 026613139043 | 3/8" OD Tube x 3/8" MIP | Chrome | 10 | 0.7 |
| 68-8-8 | ○ | 026613006673 | 1/2" OD Tube x 1/2" MIP | Rough | 10 | 1.2 |
| 68-8-8X | ▲ | 026613135380 | 1/2" OD Tube x 1/2" MIP | Rough | 10 | 1.2 |
| 68-8DT | ○ | 026613054155 | 1/2" OD Tube, Drill Through (No Tube Stop) x 1/2" MIP | Rough | 25 | 3.0 |
| 68-8DTX | ▲ | 026613148649 | 1/2" OD Tube, Drill Through (No Tube Stop) x 1/2" MIP | Rough | 25 | 3.0 |



○ Not for use in potable water applications.

▲ Certified Compliant to NSF/ANSI 372 for potable water applications



| PART NO. | USE | UPC | DESCRIPTION | FINISH | QTY | LBS |
|--|-----|--------------|-------------------------|--------|-----|-----|
| Compression Male Adaptors (cont.) | | | | | | |
| 68-12-12 | ○ | 026613067858 | 3/4" OD Tube x 3/4" MIP | Rough | 10 | 2.6 |

Compression Male Reducing Adaptors

| | | | | | | |
|-----------|---|--------------|---|--------|----|-----|
| 68-3-2 | ○ | 026613006567 | 3/16" OD Tube x 1/8" MIP | Rough | 10 | 0.3 |
| 68-3-4 | ○ | 026613006574 | 3/16" OD Tube x 1/4" MIP | Rough | 10 | 0.6 |
| 68-4-2 | ○ | 026613006581 | 1/4" OD Tube x 1/8" MIP | Rough | 10 | 0.4 |
| 68-4-2X | ▲ | 026613135533 | 1/4" OD Tube x 1/8" MIP | Rough | 10 | 0.4 |
| 68-4-6 | ○ | 026613067919 | 1/4" OD Tube x 3/8" MIP | Rough | 10 | 0.7 |
| 68-4-6X | ▲ | 026613136585 | 1/4" OD Tube x 3/8" MIP | Rough | 10 | 0.7 |
| 68-4-8 | ○ | 026613067926 | 1/4" OD Tube x 1/2" MIP | Rough | 10 | 1.2 |
| 68-4-8X | ▲ | 026613136608 | 1/4" OD Tube x 1/2" MIP | Rough | 10 | 1.2 |
| 68-5-2 | ○ | 026613006604 | 5/16" OD Tube x 1/8" MIP | Rough | 10 | 0.5 |
| 68-5-4 | ○ | 026613006611 | 5/16" OD Tube x 1/4" MIP | Rough | 10 | 0.6 |
| 68-5-6 | ○ | 026613067940 | 5/16" OD Tube x 3/8" MIP | Rough | 10 | 0.5 |
| 68-6-2 | ○ | 026613006628 | 3/8" OD Tube x 1/8" MIP | Rough | 10 | 0.5 |
| 68-6-2X | ▲ | 026613135564 | 3/8" OD Tube x 1/8" MIP | Rough | 10 | 0.5 |
| 68-6-4 | ○ | 026613006635 | 3/8" OD Tube x 1/4" MIP | Rough | 10 | 0.6 |
| 68-6-4X | ▲ | 026613135526 | 3/8" OD Tube x 1/4" MIP | Rough | 10 | 0.6 |
| 68-6-4X C | ▲ | 026613148526 | 3/8" OD Tube x 1/4" MIP | Chrome | 10 | 0.6 |
| 68-6-8 | ○ | 026613006659 | 3/8" OD Tube x 1/2" MIP | Rough | 10 | 0.9 |
| 68-6-8X | ▲ | 026613136615 | 3/8" OD Tube x 1/2" MIP | Rough | 10 | 0.9 |
| 68-6-8X C | ▲ | 026613139036 | 3/8" OD Tube x 1/2" MIP | Chrome | 10 | 0.9 |
| 13X R | ▲ | 026613136257 | 3/8" OD Tube, Drill Through (No Tube Stop) x 1/2" MIP | Rough | 25 | 2.3 |
| 13X C | ▲ | 026613136264 | 3/8" OD Tube, Drill Through (No Tube Stop) x 1/2" MIP | Chrome | 25 | 2.3 |
| 68-6-12 | ○ | 026613067957 | 3/8" OD Tube x 3/4" MIP | Rough | 10 | 2.0 |
| 68-6-12X | ▲ | 026613148489 | 3/8" OD Tube x 3/4" MIP | Rough | 10 | 2.0 |
| 68-7-4 | ○ | 026613067964 | 7/16" OD Tube x 1/4" MIP | Rough | 10 | 0.8 |
| 68-7-4X | ▲ | 026613148557 | 7/16" OD Tube x 1/4" MIP | Rough | 10 | 0.7 |
| 68-7-6 | ○ | 026613067971 | 7/16" OD Tube x 3/8" MIP | Rough | 10 | 0.7 |
| 68-8-4 | ○ | 026613067995 | 1/2" OD Tube x 1/4" MIP | Rough | 10 | 1.0 |
| 68-8-4X | ▲ | 026613148588 | 1/2" OD Tube x 1/4" MIP | Rough | 10 | 0.9 |
| 68-8-6 | ○ | 026613006666 | 1/2" OD Tube x 3/8" MIP | Rough | 10 | 0.9 |
| 68-8-6X | ▲ | 026613136592 | 1/2" OD Tube x 3/8" MIP | Rough | 10 | 1.0 |
| 68-8-12 | ○ | 026613067988 | 1/2" OD Tube x 3/4" MIP | Rough | 10 | 1.9 |
| 68-8-12X | ▲ | 026613148564 | 1/2" OD Tube x 3/4" MIP | Rough | 10 | 1.6 |
| 68-10-6 | ○ | 026613067841 | 5/8" OD Tube x 3/8" MIP | Rough | 10 | 1.3 |
| 68-10-6X | ▲ | 026613159362 | 5/8" OD Tube x 3/8" MIP | Rough | 10 | 1.3 |
| 68-10-8 | ○ | 026613006680 | 5/8" OD Tube x 1/2" MIP | Rough | 10 | 1.3 |
| 68-10-8X | ▲ | 026613136622 | 5/8" OD Tube x 1/2" MIP | Rough | 10 | 1.3 |
| 68-10-12 | ○ | 026613006697 | 5/8" OD Tube x 3/4" MIP | Rough | 10 | 1.7 |
| 68-10-12X | ▲ | 026613135557 | 5/8" OD Tube x 3/4" MIP | Rough | 10 | 1.8 |



○ Not for use in potable water applications.

▲ Certified Compliant to NSF/ANSI 372 for potable water applications

| PART NO. | USE | UPC | DESCRIPTION | FINISH | QTY | LBS |
|---|-----|--------------|-------------------------|--------|-----|-----|
| Compression Male Reducing Adaptors (cont.) | | | | | | |
| 68-12-8 | ○ | 026613067865 | 3/4" OD Tube x 1/2" MIP | Rough | 10 | 2.5 |
| 68-14-8 | ○ | 026613067889 | 7/8" OD Tube x 1/2" MIP | Rough | 10 | 2.4 |
| 68-14-8X | ▲ | 026613148328 | 7/8" OD Tube x 1/2" MIP | Rough | 10 | 1.9 |
| 68-14-12 | ○ | 026613006703 | 7/8" OD Tube x 3/4" MIP | Rough | 10 | 2.4 |
| 68-14-12X | ▲ | 026613135366 | 7/8" OD Tube x 3/4" MIP | Rough | 10 | 2.3 |
| 68-14-16 | ○ | 026613067872 | 7/8" OD Tube x 1" MIP | Rough | 5 | 1.6 |
| 68-14-16X | ▲ | 026613148311 | 7/8" OD Tube x 1" MIP | Rough | 5 | 1.6 |



| | | | | | | |
|---------------------------------|---|--------------|--------------------------|--------|----|-----|
| Compression Union Elbows | | | | | | |
| 65-2 | ○ | 026613071022 | 1/8" OD Tube, Both Ends | Rough | 10 | 0.3 |
| 65-3 | ○ | 026613006345 | 3/16" OD Tube, Both Ends | Rough | 10 | 0.5 |
| 65-4 | ○ | 026613006352 | 1/4" OD Tube, Both Ends | Rough | 10 | 0.7 |
| 65-4X | ▲ | 026613148076 | 1/4" OD Tube, Both Ends | Rough | 10 | 0.7 |
| 65-5 | ○ | 026613006369 | 5/16" OD Tube, Both Ends | Rough | 10 | 0.9 |
| 65-6 | ○ | 026613006376 | 3/8" OD Tube, Both Ends | Rough | 10 | 1.1 |
| 65-6X | ▲ | 026613136394 | 3/8" OD Tube, Both Ends | Rough | 10 | 1.0 |
| 65-6 C | ○ | 026613071046 | 3/8" OD Tube, Both Ends | Chrome | 10 | 1.1 |
| 65-8 | ○ | 026613006383 | 1/2" OD Tube, Both Ends | Rough | 10 | 2.0 |
| 65-8X | ▲ | 026613148106 | 1/2" OD Tube, Both Ends | Rough | 10 | 2.0 |
| 65-10 | ○ | 026613006390 | 5/8" OD Tube, Both Ends | Rough | 10 | 2.9 |
| 65-10X | ▲ | 026613136301 | 5/8" OD Tube, Both Ends | Rough | 10 | 2.3 |
| 65-14 | ○ | 026613072210 | 7/8" OD Tube, Both Ends | Rough | 5 | 2.2 |
| 65-14X | ▲ | 026613148069 | 7/8" OD Tube, Both Ends | Rough | 5 | 2.5 |



| | | | | | | |
|--|---|--------------|-----------------------------|--------|----|-----|
| Compression Reducing Union Elbows | | | | | | |
| 65-8-6 | ○ | 026613967714 | 1/2" OD Tube x 3/8" OD Tube | Rough | 10 | 1.5 |
| 65-10-6 | ○ | 026613070971 | 5/8" OD Tube x 3/8" OD Tube | Rough | 10 | 1.8 |
| 65-10-6 C | ○ | 026613070988 | 5/8" OD Tube x 3/8" OD Tube | Chrome | 10 | 1.8 |
| 65-10-6X | ▲ | 026613148045 | 5/8" OD Tube x 3/8" OD Tube | Rough | 10 | 1.7 |
| 65-10-6X C | ▲ | 026613148052 | 5/8" OD Tube x 3/8" OD Tube | Chrome | 10 | 1.7 |
| 65-10-8 | ○ | 026613070995 | 5/8" OD Tube x 1/2" OD Tube | Rough | 10 | 2.1 |



| | | | | | | |
|----------------------------------|---|--------------|-------------------------|--------|----|-----|
| Compression Female Elbows | | | | | | |
| 70-2-2 | ○ | 026613071435 | 1/8" OD Tube x 1/8" FIP | Rough | 5 | 0.3 |
| 70-4-4 | ○ | 026613071466 | 1/4" OD Tube x 1/4" FIP | Rough | 10 | 0.8 |
| 70-4-4X | ▲ | 026613148779 | 1/4" OD Tube x 1/4" FIP | Rough | 10 | 0.9 |
| 70-6-6 | ○ | 026613071510 | 3/8" OD Tube x 3/8" FIP | Rough | 10 | 1.0 |
| 70-6-6X | ▲ | 026613148793 | 3/8" OD Tube x 3/8" FIP | Rough | 10 | 1.4 |
| 70-6-6 C | ○ | 026613066233 | 3/8" OD Tube x 3/8" FIP | Chrome | 10 | 1.0 |
| 70-8-8 | ○ | 026613071565 | 1/2" OD Tube x 1/2" FIP | Rough | 10 | 1.8 |
| 70-8-8 C | ○ | 026613054193 | 1/2" OD Tube x 1/2" FIP | Chrome | 25 | 4.4 |



| | | | | | | |
|---|---|--------------|--------------------------|-------|----|-----|
| Compression Female Reducing Elbows | | | | | | |
| 70-3-2 | ○ | 026613071442 | 3/16" OD Tube x 1/8" FIP | Rough | 5 | 0.3 |
| 70-4-2 | ○ | 026613071459 | 1/4" OD Tube x 1/8" FIP | Rough | 10 | 0.8 |
| 70-4-2X | ▲ | 026613148762 | 1/4" OD Tube x 1/8" FIP | Rough | 10 | 0.7 |



○ Not for use in potable water applications.
 ▲ Certified Compliant to NSF/ANSI 372 for potable water applications

| PART NO. | USE | UPC | DESCRIPTION | FINISH | QTY | LBS |
|---|-----|--------------|--------------------------|--------|-----|-----|
| Compression Female Reducing Elbows (cont.) | | | | | | |
| 70-4-8 | ○ | 026613074023 | 1/4" OD Tube x 1/2" FIP | Rough | 10 | 1.3 |
| 70-5-2 | ○ | 026613071473 | 5/16" OD Tube x 1/8" FIP | Rough | 10 | 0.8 |
| 70-5-2X | ▲ | 026613137759 | 5/16" OD Tube x 1/8" FIP | Rough | 10 | 1.1 |
| 70-5-4 | ○ | 026613071480 | 5/16" OD Tube x 1/4" FIP | Rough | 5 | 0.4 |
| 70-6-2 | ○ | 026613071497 | 3/8" OD Tube x 1/8" FIP | Rough | 10 | 0.8 |
| 70-6-4 | ○ | 026613071503 | 3/8" OD Tube x 1/4" FIP | Rough | 10 | 0.9 |
| 70-6-4X | ▲ | 026613148786 | 3/8" OD Tube x 1/4" FIP | Rough | 10 | 1.1 |
| 70-6-8 | ○ | 026613071527 | 3/8" OD Tube x 1/2" FIP | Rough | 10 | 1.3 |
| 70-6-8X | ▲ | 026613148809 | 3/8" OD Tube x 1/2" FIP | Rough | 10 | 1.3 |
| 70-6-8 C | ○ | 026613054179 | 3/8" OD Tube x 1/2" FIP | Chrome | 10 | 1.3 |
| 70-6-8X C | ▲ | 026613148816 | 3/8" OD Tube x 1/2" FIP | Chrome | 10 | 1.3 |
| 70-8-6 | ○ | 026613071558 | 1/2" OD Tube x 3/8" FIP | Rough | 10 | 1.6 |
| 70-10-8 | ○ | 026613071428 | 5/8" OD Tube x 1/2" FIP | Rough | 10 | 2.6 |
| 70-10-8X | ▲ | 026613136370 | 5/8" OD Tube x 1/2" FIP | Rough | 10 | 2.6 |
| 70-10-12 | ○ | 026613073941 | 5/8" OD Tube x 3/4" FIP | Rough | 10 | 2.2 |



Compression Male Elbows

| | | | | | | |
|-----------|---|--------------|-------------------------|--------|----|-----|
| 69-2-2 | ○ | 026613071077 | 1/8" OD Tube x 1/8" MIP | Rough | 10 | 0.4 |
| 69-2-2X | ▲ | 026613152882 | 1/8" OD Tube x 1/8" MIP | Rough | 10 | 0.4 |
| 69-4-4 | ○ | 026613006734 | 1/4" OD Tube x 1/4" MIP | Rough | 10 | 0.7 |
| 69-4-4X | ▲ | 026613136424 | 1/4" OD Tube x 1/4" MIP | Rough | 10 | 0.7 |
| 69-6-6 | ○ | 026613006765 | 3/8" OD Tube x 3/8" MIP | Rough | 10 | 1.1 |
| 69-6-6X | ▲ | 026613136325 | 3/8" OD Tube x 3/8" MIP | Rough | 10 | 1.1 |
| 69-6-6 C | ○ | 026613073507 | 3/8" OD Tube x 3/8" MIP | Chrome | 10 | 1.1 |
| 69-6-6X C | ▲ | 026613148700 | 3/8" OD Tube x 3/8" MIP | Chrome | 10 | 1.1 |
| 69-8-8 | ○ | 026613006796 | 1/2" OD Tube x 1/2" MIP | Rough | 10 | 1.9 |
| 69-8-8X | ▲ | 026613148748 | 1/2" OD Tube x 1/2" MIP | Rough | 10 | 1.9 |
| 69-8-8 C | ○ | 026613071220 | 1/2" OD Tube x 1/2" MIP | Chrome | 10 | 1.8 |



Compression Male Reducing Elbows

| | | | | | | |
|----------|---|--------------|--------------------------|--------|----|-----|
| 69-3-2 | ○ | 026613006710 | 3/16" OD Tube x 1/8" MIP | Rough | 10 | 0.5 |
| 69-3-4 | ○ | 026613071084 | 3/16" OD Tube x 1/4" MIP | Rough | 10 | 0.5 |
| 69-4-2 | ○ | 026613006727 | 1/4" OD Tube x 1/8" MIP | Rough | 10 | 0.5 |
| 69-4-2X | ▲ | 026613136431 | 1/4" OD Tube x 1/8" MIP | Rough | 10 | 0.5 |
| 69-4-6 | ○ | 026613071107 | 1/4" OD Tube x 3/8" MIP | Rough | 10 | 1.2 |
| 69-4-6X | ▲ | 026613148663 | 1/4" OD Tube x 3/8" MIP | Rough | 10 | 1.3 |
| 69-5-2 | ○ | 026613006741 | 5/16" OD Tube x 1/8" MIP | Rough | 10 | 0.7 |
| 69-5-4 | ○ | 026613071114 | 5/16" OD Tube x 1/4" MIP | Rough | 10 | 0.7 |
| 69-5-6 | ○ | 026613071121 | 5/16" OD Tube x 3/8" MIP | Rough | 10 | 0.7 |
| 69-5-8 | ○ | 026613071138 | 5/16" OD Tube x 1/2" MIP | Rough | 10 | 1.2 |
| 69-6-2 | ○ | 026613071152 | 3/8" OD Tube x 1/8" MIP | Rough | 10 | 0.8 |
| 69-6-2X | ▲ | 026613136455 | 3/8" OD Tube x 1/8" MIP | Rough | 10 | 0.8 |
| 69-6-4 | ○ | 026613006758 | 3/8" OD Tube x 1/4" MIP | Rough | 10 | 0.9 |
| 69-6-4X | ▲ | 026613136349 | 3/8" OD Tube x 1/4" MIP | Rough | 10 | 0.9 |
| 69-6-4 C | ○ | 026613071176 | 3/8" OD Tube x 1/4" MIP | Chrome | 10 | 0.9 |



○ Not for use in potable water applications.

▲ Certified Compliant to NSF/ANSI 372 for potable water applications

| PART NO. | USE | UPC | DESCRIPTION | FINISH | QTY | LBS |
|---|-----|--------------|--------------------------|--------|-----|-----|
| Compression Male Reducing Elbows (cont.) | | | | | | |
| 69-6-8 | ○ | 026613006772 | 3/8" OD Tube x 1/2" MIP | Rough | 10 | 1.5 |
| 69-6-8X | ▲ | 026613136479 | 3/8" OD Tube x 1/2" MIP | Rough | 10 | 1.2 |
| 69-6-8 C | ○ | 026613072241 | 3/8" OD Tube x 1/2" MIP | Chrome | 10 | 1.4 |
| 69-6-8X C | ▲ | 026613148717 | 3/8" OD Tube x 1/2" MIP | Chrome | 10 | 1.2 |
| 69-6-12 | ○ | 026613071145 | 3/8" OD Tube x 3/4" MIP | Rough | 5 | 0.8 |
| 69-7-4 | ○ | 026613071183 | 7/16" OD Tube x 1/4" MIP | Rough | 5 | 0.6 |
| 69-7-6 | ○ | 026613071190 | 7/16" OD Tube x 3/8" MIP | Rough | 10 | 1.1 |
| 69-8-4 | ○ | 026613071206 | 1/2" OD Tube x 1/4" MIP | Rough | 10 | 0.9 |
| 69-8-4X | ▲ | 026613148724 | 1/2" OD Tube x 1/4" MIP | Rough | 10 | 1.7 |
| 69-8-6 | ○ | 026613006789 | 1/2" OD Tube x 3/8" MIP | Rough | 10 | 1.5 |
| 69-8-6X | ▲ | 026613136493 | 1/2" OD Tube x 3/8" MIP | Rough | 10 | 1.3 |
| 69-8-6 C | ○ | 026613071213 | 1/2" OD Tube x 3/8" MIP | Chrome | 10 | 1.5 |
| 69-8-6X C | ▲ | 026613148731 | 1/2" OD Tube x 3/8" MIP | Chrome | 10 | 1.4 |
| 69-10-6 | ○ | 026613006802 | 5/8" OD Tube x 3/8" MIP | Rough | 5 | 1.0 |
| 69-10-8 | ○ | 026613006819 | 5/8" OD Tube x 1/2" MIP | Rough | 5 | 1.5 |
| 69-10-8X | ▲ | 026613136516 | 5/8" OD Tube x 1/2" MIP | Rough | 5 | 0.9 |
| 69-10-12 | ○ | 026613006826 | 5/8" OD Tube x 3/4" MIP | Rough | 5 | 1.3 |
| 69-14-12 | ○ | 026613073095 | 7/8" OD Tube x 3/4" MIP | Rough | 10 | 3.4 |



Compression Tees

| | | | | | | |
|---------|---|--------------|---------------------------|--------|----|-----|
| 64-2 | ○ | 026613070940 | 1/8" OD Tube, All 3 Ends | Rough | 10 | 0.7 |
| 64-3 | ○ | 026613006277 | 3/16" OD Tube, All 3 Ends | Rough | 10 | 0.7 |
| 64-4 | ○ | 026613006284 | 1/4" OD Tube, All 3 Ends | Rough | 10 | 1.0 |
| 64-4X | ▲ | 026613136684 | 1/4" OD Tube, All 3 Ends | Rough | 10 | 0.9 |
| 64-5 | ○ | 026613006291 | 5/16" OD Tube, All 3 Ends | Rough | 10 | 1.3 |
| 64-6 | ○ | 026613006307 | 3/8" OD Tube, All 3 Ends | Rough | 10 | 1.5 |
| 64-6X | ▲ | 026613136660 | 3/8" OD Tube, All 3 Ends | Rough | 10 | 1.4 |
| 64-6X C | ▲ | 026613147994 | 3/8" OD Tube, All 3 Ends | Chrome | 10 | 1.4 |
| 64-8 | ○ | 026613006314 | 1/2" OD Tube, All 3 Ends | Rough | 10 | 2.6 |
| 64-8X | ▲ | 026613148038 | 1/2" OD Tube, All 3 Ends | Rough | 10 | 3.0 |
| 64-10 | ○ | 026613006321 | 5/8" OD Tube, All 3 Ends | Rough | 10 | 3.7 |
| 64-10X | ▲ | 026613135311 | 5/8" OD Tube, All 3 Ends | Rough | 10 | 2.9 |



Compression Reducing Tees

| | | | | | | |
|-----------|---|--------------|--|-------|----|-----|
| 64-6-6-4 | ○ | 026613004075 | 3/8" OD Tube x 3/8" OD Tube x 1/4" OD Tube | Rough | 10 | 1.4 |
| 64-6-6-4X | ▲ | 026613148014 | 3/8" OD Tube x 3/8" OD Tube x 1/4" OD Tube | Rough | 10 | 1.4 |
| 64-8-8-6 | ○ | 026613006338 | 1/2" OD Tube x 1/2" OD Tube x 3/8" OD Tube | Rough | 10 | 2.1 |



Compression Male Tee Adaptors (MIP on Run)

| | | | | | | |
|---------|---|--------------|--|-------|----|-----|
| 71-4-2 | ○ | 026613071749 | 1/4" OD Tube x 1/8" MIP x 1/4" OD Tube | Rough | 10 | 0.8 |
| 71-4-2X | ▲ | 026613148854 | 1/4" OD Tube x 1/8" MIP x 1/4" OD Tube | Rough | 10 | 0.7 |
| 71-4-4 | ○ | 026613071756 | 1/4" OD Tube x 1/4" MIP x 1/4" OD Tube | Rough | 5 | 0.5 |
| 71-6-4 | ○ | 026613071794 | 3/8" OD Tube x 1/4" MIP x 3/8" OD Tube | Rough | 10 | 1.1 |
| 71-6-4X | ▲ | 026613148861 | 3/8" OD Tube x 1/4" MIP x 3/8" OD Tube | Rough | 10 | 1.1 |
| 71-6-6 | ○ | 026613071800 | 3/8" OD Tube x 3/8" MIP x 3/8" OD Tube | Rough | 10 | 1.3 |



○ Not for use in potable water applications.

▲ Certified Compliant to NSF/ANSI 372 for potable water applications

| PART NO. | USE | UPC | DESCRIPTION | FINISH | QTY | LBS |
|--|-----|--------------|--|--------|-----|-----|
| Compression Male Tee Adaptors (MIP on Branch) | | | | | | |
| 72-2-2 | ○ | 026613071954 | 1/8" OD Tube x 1/8" OD Tube x 1/8" MIP | Rough | 10 | 0.6 |
| 72-3-2 | ○ | 026613071961 | 3/16" OD Tube x 3/16" OD Tube x 1/8" MIP | Rough | 10 | 0.6 |
| 72-4-2 | ○ | 026613071978 | 1/4" OD Tube x 1/4" OD Tube x 1/8" MIP | Rough | 10 | 0.7 |
| 72-4-2X | ▲ | 026613148878 | 1/4" OD Tube x 1/4" OD Tube x 1/8" MIP | Rough | 10 | 0.7 |
| 72-4-4 | ○ | 026613071985 | 1/4" OD Tube x 1/4" OD Tube x 1/4" MIP | Rough | 10 | 1.0 |
| 72-4-4X | ▲ | 026613148885 | 1/4" OD Tube x 1/4" OD Tube x 1/4" MIP | Rough | 10 | 1.1 |
| 72-5-2 | ○ | 026613071992 | 5/16" OD Tube x 5/16" OD Tube x 1/8" MIP | Rough | 10 | 1.1 |
| 72-6-2 | ○ | 026613072012 | 3/8" OD Tube x 3/8" OD Tube x 1/8" MIP | Rough | 10 | 1.1 |
| 72-6-4 | ○ | 026613072029 | 3/8" OD Tube x 3/8" OD Tube x 1/4" MIP | Rough | 10 | 1.3 |
| 72-6-6 | ○ | 026613072036 | 3/8" OD Tube x 3/8" OD Tube x 3/8" MIP | Rough | 10 | 1.6 |
| 72-6-6X | ▲ | 026613148892 | 3/8" OD Tube x 3/8" OD Tube x 3/8" MIP | Rough | 10 | 1.6 |
| 72-8-6 | ○ | 026613072043 | 1/2" OD Tube x 1/2" OD Tube x 3/8" MIP | Rough | 10 | 2.1 |
| 72-8-8 | ○ | 026613072050 | 1/2" OD Tube x 1/2" OD Tube x 1/2" MIP | Rough | 10 | 3.0 |
| 72-10-8 | ○ | 026613071947 | 5/8" OD Tube x 5/8" OD Tube x 1/2" MIP | Rough | 5 | 1.5 |



Compression Bulkhead Unions

| | | | | | | |
|--------|---|--------------|-------------------------|-------|----|-----|
| 62BH-4 | ○ | 026613067339 | 1/4" OD Tube, Both Ends | Rough | 10 | 1.0 |
| 62BH-6 | ○ | 026613067346 | 3/8" OD Tube, Both Ends | Rough | 10 | 1.5 |



Flare Compression Adaptors

| | | | | | | |
|----------|---|--------------|---|-------|----|-----|
| 462-6-4 | ○ | 026613100708 | 3/8" Female Flare, Fine Thread x 1/4" OD Tube | Rough | 10 | 0.6 |
| 462-6-4X | ▲ | 026613154381 | 3/8" Female Flare, Fine Thread x 1/4" OD Tube | Rough | 10 | 0.5 |
| 462-6-6 | ○ | 026613100692 | 3/8" Female Flare, Fine Thread x 3/8" OD Tube | Rough | 10 | 0.7 |
| 462-6-6X | ▲ | 026613154398 | 3/8" Female Flare, Fine Thread x 3/8" OD Tube | Rough | 10 | 0.5 |
| 462-8-6 | ○ | 026613100685 | 1/2" Female Flare, Fine Thread x 3/8" OD Tube | Rough | 10 | 0.7 |
| 462-8-6X | ▲ | 026613155494 | 1/2" Female Flare, Fine Thread x 3/8" OD Tube | Rough | 10 | 0.7 |



Sweat Compression Adaptors

| | | | | | | |
|-------|---|--------------|--|--------|----|-----|
| 24 R | ○ | 026613054537 | 1/2" Nom Sweat x 1/4" OD Tube | Rough | 25 | 1.5 |
| 24X R | ▲ | 026613147697 | 1/2" Nom Sweat x 1/4" OD Tube | Rough | 25 | 1.2 |
| 14 R | ○ | 026613054483 | 1/2" Nom Sweat x 3/8" OD Tube, Drill Through (No Tube Stop) | Rough | 25 | 1.4 |
| 14X R | ▲ | 026613140698 | 1/2" Nom Sweat x 3/8" OD Tube, Drill Through (No Tube Stop) | Rough | 25 | 1.4 |
| 14 C | ○ | 026613054476 | 1/2" Nom Sweat x 3/8" OD Tube | Chrome | 25 | 1.7 |
| 14X C | ▲ | 026613146850 | 1/2" Nom Sweat x 3/8" OD Tube, Drill Through (No Tube Stop) | Chrome | 25 | 1.4 |
| 34 R | ○ | 026613054551 | 1/2" Nom Sweat x 1/2" OD Tube, Drill Through (No Tube Stop) | Rough | 25 | 2.0 |
| 34 C | ○ | 026613054544 | 1/2" Nom Sweat x 1/2" OD Tube, Drill Through (No Tube Stop) | Chrome | 25 | 2.1 |



Sweat Compression Elbows

| | | | | | | |
|-------|---|--------------|-------------------------------|--------|----|-----|
| 19 R | ○ | 026613054506 | 1/2" Nom Sweat x 3/8" OD Tube | Rough | 25 | 2.9 |
| 19 C | ○ | 026613054490 | 1/2" Nom Sweat x 3/8" OD Tube | Chrome | 25 | 2.9 |
| 19X C | ▲ | 026613146904 | 1/2" Nom Sweat x 3/8" OD Tube | Chrome | 25 | 2.9 |



○ Not for use in potable water applications.

▲ Certified Compliant to NSF/ANSI 372 for potable water applications

| PART NO. | USE | UPC | DESCRIPTION | FINISH | QTY | LBS |
|------------------------------------|-----|--------------|--|--------|-----|-----|
| Compression Reducing Unions | | | | | | |
| C14 R | ○ | 026613054681 | 5/8" OD Tube x 3/8" OD Tube, Drill Through (No Tube Stop) | Rough | 10 | 1.4 |
| C14 C | ○ | 026613054674 | 5/8" OD Tube x 3/8" OD Tube, Drill Through (No Tube Stop) | Chrome | 25 | 3.4 |
| C14X C | ▲ | 026613149066 | 5/8" OD Tube x 3/8" OD Tube, Drill Through (No Tube Stop) | Chrome | 25 | 3.4 |
| C34 R | ○ | 026613054728 | 5/8" OD Tube x 1/2" OD Tube, Drill Through (No Tube Stop) | Rough | 10 | 1.6 |
| C34 C | ○ | 026613054711 | 5/8" OD Tube x 1/2" OD Tube, Drill Through (No Tube Stop) | Chrome | 25 | 3.9 |



○ Not for use in potable water applications.

▲ Certified Compliant to NSF/ANSI 372 for potable water applications



| PART NO. | USE | UPC | DESCRIPTION | FINISH | QTY | LBS |
|---|-----|--------------|-------------------|---------|-----|-----|
| Compression Sleeves for Plastic Tube | | | | | | |
| 60PT-4 | ▲ | 026613005997 | For 1/4" OD Tube | Plastic | 10 | .01 |
| 60PT-5 | ▲ | 026613006000 | For 5/16" OD Tube | Plastic | 10 | .02 |
| 60PT-6 | ▲ | 026613006017 | For 3/8" OD Tube | Plastic | 10 | .01 |
| 60PT-8 | ▲ | 026613006024 | For 1/2" OD Tube | Plastic | 10 | .02 |
| 60PT-10 | ▲ | 026613006031 | For 5/8" OD Tube | Plastic | 10 | .02 |



| | | | | | | |
|---|---|--------------|-------------------|-------|----|-----|
| Brass Inserts for Nylon & Plastic Hose | | | | | | |
| 63PT-4X | ▲ | 026613152868 | For 1/4" OD Tube | Brass | 10 | .02 |
| 63PT-5X | ▲ | 026613158006 | For 5/16" OD Tube | Brass | 10 | .02 |
| 63PT-6X | ▲ | 026613152875 | For 3/8" OD Tube | Brass | 10 | 0.1 |
| 63PT-8X | ▲ | 026613147956 | For 1/2" OD Tube | Brass | 10 | .04 |
| 63PT-10X | ▲ | 026613152851 | For 5/8" OD Tube | Brass | 10 | 0.1 |



| | | | | | | |
|---|---|--------------|-------------------|-------|----|-----|
| Compression Sleeves for Plastic Tube | | | | | | |
| TS-6X | ▲ | 026613107110 | For 3/8" Nom Tube | Steel | 10 | 0.1 |
| TS-8X | ▲ | 026613097541 | For 1/2" Nom Tube | Steel | 10 | 0.1 |



| | | | | | | |
|---|---|--------------|---------------|-------|----|-----|
| Compression Nut with Captive Brass Sleeves | | | | | | |
| 61CA-2 | ● | 026613066134 | 1/8" OD Tube | Rough | 10 | 0.1 |
| 61CA-3 B | ● | 026613066981 | 3/16" OD Tube | Rough | 10 | 4.3 |
| 61CA-4 | ● | 026613066158 | 1/4" OD Tube | Rough | 10 | 0.1 |
| 61CA-5 | ● | 026613066165 | 5/16" OD Tube | Rough | 10 | 0.2 |
| 61CA-6 | ● | 026613066172 | 3/8" OD Tube | Rough | 10 | 0.2 |
| 61CA-8 | ● | 026613066189 | 1/2" OD Tube | Rough | 10 | 0.4 |



| | | | | | | |
|---|---|--------------|-------------------------|-------|----|-----|
| Compression Union with Captive Sleeves | | | | | | |
| 62CA-4 | ○ | 026613079363 | 1/4" OD Tube, Both Ends | Rough | 10 | 0.5 |



| | | | | | | |
|---|---|--------------|-------------------------|-------|----|-----|
| Compression Male Reducing Elbow with Captive Sleeves | | | | | | |
| 69CA-4-2 | ○ | 026613079691 | 1/4" OD Tube x 1/8" MIP | Rough | 10 | 0.5 |



| | | | | | | |
|--|---|--------------|-------------------------|-------|----|-----|
| Compression Male Adaptor with Captive Sleeves | | | | | | |
| 68CA-4-2 | ○ | 026613079622 | 1/4" OD Tube x 1/8" MIP | Rough | 10 | 0.3 |
| 68CA-4-4 | ○ | 026613079639 | 1/4" OD Tube x 1/4" MIP | Rough | 10 | 0.4 |

○ Not for use in potable water applications.

● Can be used in potable water applications.

▲ Certified Compliant to NSF/ANSI 372 for potable water applications

| PART NO. | USE | UPC | DESCRIPTION | FINISH | QTY | LBS |
|--|-----|--------------|--|--------|-----|-----|
| Compression Female Tee Adaptors | | | | | | |
| ST1-SS4X D | ▲ | 026613140322 | ½" FIP Captive Nut x ½" MIPS x 1/4" OD Tube | Rough | 5 | 1.2 |
| ST1-SS6X D | ▲ | 026613140315 | ½" FIP Captive Nut x ½" MIPS x 3/8" OD Tube | Rough | 5 | 1.1 |
| CT1-662 | ○ | 026613072173 | 3/8" OD Tube x 3/8" OD Tube x 1/8" FIP | Rough | 10 | 1.0 |
| CT2-664X P | ▲ | 026613140933 | 3/8" OD Tube x 3/8" OD Tube x 1/4" Female Comp Nut | Rough | 10 | 1.6 |
| CT2-666X P | ▲ | 026613140926 | 3/8" OD Tube x 3/8" OD Tube x 3/8" Female Comp Nut | Rough | 10 | 1.6 |



○ Not for use in potable water applications.
 ▲ Certified Compliant to NSF/ANSI 372 for potable water applications

| PART NO. | USE | UPC | DESCRIPTION | FINISH | QTY | LBS |
|---|-----|--------------|------------------------------|--------|-----|-----|
| CPVC Compression Reducing Adaptors | | | | | | |
| P14C C | ○ | 026613054759 | 1/2" Nom CPVC x 3/8" OD Tube | Chrome | 10 | 1.5 |
| P14C R | ○ | 026613054766 | 1/2" Nom CPVC x 3/8" OD Tube | Rough | 10 | 1.5 |
| P14CX R | ▲ | 026613154497 | 1/2" Nom CPVC x 3/8" OD Tube | Rough | 10 | 1.5 |
| P44C R | ○ | 026613054797 | 1/2" Nom CPVC x 5/8" OD Tube | Rough | 10 | 1.9 |
| P44CX R | ▲ | 026613154503 | 1/2" Nom CPVC x 5/8" OD Tube | Rough | 10 | 1.9 |
| P77C R | ○ | 026613054889 | 1/2" Nom CPVC x 7/8" OD Tube | Rough | 10 | 4.2 |



CPVC Female Adaptors

| | | | | | | |
|---------|---|--------------|--------------------------|-------|----|-----|
| P48F R | ○ | 026613054810 | 1/2" Nom CPVC x 1/2" FIP | Rough | 10 | 1.6 |
| P48FX R | ▲ | 026613154510 | 1/2" Nom CPVC x 1/2" FIP | Rough | 10 | 1.6 |
| P72F R | ○ | 026613054865 | 3/4" Nom CPVC x 3/4" FIP | Rough | 10 | 3.7 |
| P72FX R | ▲ | 026613150932 | 3/4" Nom CPVC x 3/4" FIP | Rough | 10 | 3.7 |



CPVC Female 90° Drop-Ear Elbows

| | | | | | | |
|---------|---|--------------|--------------------------|-------|----|-----|
| P48W R | ○ | 026613054841 | 1/2" Nom CPVC x 1/2" FIP | Rough | 10 | 4.4 |
| P48WX R | ▲ | 026613150925 | 1/2" Nom CPVC x 1/2" FIP | Rough | 10 | 4.1 |



CPVC Male Adaptors

| | | | | | | |
|---------|---|--------------|--------------------------|--------|----|-----|
| P48M C | ○ | 026613054827 | 1/2" Nom CPVC x 1/2" MIP | Chrome | 10 | 1.4 |
| P48M R | ○ | 026613054834 | 1/2" Nom CPVC x 1/2" MIP | Rough | 10 | 1.4 |
| P48MX R | ▲ | 026613150918 | 1/2" Nom CPVC x 1/2" MIP | Rough | 10 | 1.4 |
| P72M R | ○ | 026613054872 | 3/4" Nom CPVC x 3/4" MIP | Rough | 10 | 3.3 |
| P72MX R | ▲ | 026613150949 | 3/4" Nom CPVC x 3/4" MIP | Rough | 10 | 3.3 |



○ Not for use in potable water applications.

▲ Certified Compliant to NSF/ANSI 372 for potable water applications

Iron Pipe Fittings

Product Applications

- For use with brass, copper or iron pipe.
- Designed for low and medium pressure pipe line connections.
- Typically used in water, grease, fuels, LP and natural gas, refrigeration, instrumentation and hydraulic systems.

Product Advantages

- All pipe fitting threads meet the standards developed by the Society of Automotive Engineers (SAE).
- Connectors, unions, nuts and extruded elbows and tees machined from brass rod.
- Forged elbows and tees machined from brass.
- Backed by BrassCraft Mfg.'s 65 plus year history and reputation for quality and service.

How to Order

- Order fittings by part number and product name.
- To order with pre-applied pipe sealant, add a "V" suffix to part number.
Example: 202-6V.
"V" fittings special order only.

Special Orders

- Special fitting configurations and sizes may be ordered. Please furnish a print or sketch of your needs with your inquiry.
- Fittings are available in bulk quantities on request. Contact your sales representative for details.



| PART NO. | USE | UPC | DESCRIPTION | FINISH | QTY | LBS |
|-----------------------------------|-----|--------------|-------------|--------|-----|-----|
| Hex Countersink Pipe Plugs | | | | | | |
| 219-2X | ▲ | 026613147451 | 1/8" MIP | Rough | 10 | 0.1 |
| 219-4X | ▲ | 026613147475 | 1/4" MIP | Rough | 10 | 0.2 |
| 219-6X | ▲ | 026613147482 | 3/8" MIP | Rough | 10 | 0.3 |
| 219-8X | ▲ | 026613147499 | 1/2" MIP | Rough | 10 | 0.7 |



| | | | | | | |
|----------------------------|---|--------------|----------|-------|----|-----|
| Hex Head Pipe Plugs | | | | | | |
| PPH-2 | ○ | 026613006901 | 1/8" MIP | Rough | 10 | 0.2 |
| PPH-2X | ▲ | 026613151137 | 1/8" MIP | Rough | 10 | 0.2 |
| PPH-4 | ○ | 026613006918 | 1/4" MIP | Rough | 10 | 0.4 |
| PPH-4X | ▲ | 026613151151 | 1/4" MIP | Rough | 10 | 0.3 |
| PPH-6 | ○ | 026613006925 | 3/8" MIP | Rough | 10 | 0.6 |
| PPH-6X | ▲ | 026613151175 | 3/8" MIP | Rough | 10 | 0.5 |
| PPH-8 | ○ | 026613006932 | 1/2" MIP | Rough | 10 | 1.1 |
| PPH-8X | ▲ | 026613151199 | 1/2" MIP | Rough | 10 | 0.9 |
| PPH-12 | ○ | 026613076058 | 3/4" MIP | Rough | 10 | 1.4 |



| | | | | | | |
|-------------------------------|---|--------------|----------|-------|----|-----|
| Square Head Pipe Plugs | | | | | | |
| 211-2 | ○ | 026613003979 | 1/8" MIP | Rough | 10 | 0.2 |
| 211-2X | ▲ | 026613147369 | 1/8" MIP | Rough | 10 | 0.1 |
| 211-4 | ○ | 026613003986 | 1/4" MIP | Rough | 10 | 0.4 |
| 211-4X | ▲ | 026613147376 | 1/4" MIP | Rough | 10 | 0.4 |
| 211-6 | ○ | 026613003993 | 3/8" MIP | Rough | 10 | 0.6 |
| 211-6X | ▲ | 026613147383 | 3/8" MIP | Rough | 10 | 0.6 |
| 211-8 | ○ | 026613004006 | 1/2" MIP | Rough | 10 | 1.2 |
| 211-8X | ▲ | 026613147390 | 1/2" MIP | Rough | 10 | 0.6 |
| 211-12 | ○ | 026613004457 | 3/4" MIP | Rough | 10 | 1.2 |



○ Not for use in potable water applications.
▲ Certified Compliant to NSF/ANSI 372 for potable water applications

| PART NO. | USE | UPC | DESCRIPTION | FINISH | QTY | LBS |
|------------------|-----|--------------|-------------|--------|-----|-----|
| Pipe Caps | | | | | | |
| 213-2 | ○ | 026613004013 | 1/8" FIP | Rough | 10 | 0.2 |
| 213-2X | ▲ | 026613147406 | 1/8" FIP | Rough | 10 | 0.2 |
| 213-4 | ○ | 026613004020 | 1/4" FIP | Rough | 10 | 0.4 |
| 213-6 | ○ | 026613004037 | 3/8" FIP | Rough | 10 | 0.6 |
| 213-6X | ▲ | 026613147413 | 3/8" FIP | Rough | 10 | 0.5 |
| 213-8 | ○ | 026613004464 | 1/2" FIP | Rough | 10 | 0.8 |
| 213-12 | ○ | 026613004471 | 3/4" FIP | Rough | 10 | 0.8 |



| | | | | | | |
|----------------------|---|--------------|----------|-------|----|-----|
| Pipe Locknuts | | | | | | |
| 210-2 | ● | 026613075730 | 1/8" FIP | Rough | 10 | 0.2 |
| 210-4 | ● | 026613075747 | 1/4" FIP | Rough | 10 | 0.3 |
| 210-6 | ● | 026613075754 | 3/8" FIP | Rough | 10 | 0.4 |
| 210-8 | ● | 026613075761 | 1/2" FIP | Rough | 10 | 0.5 |



| | | | | | | |
|---------------------------|---|--------------|---------------------|-------|----|-----|
| Female Pipe Unions | | | | | | |
| 104-4 | ○ | 026613074733 | 1/4" FIP, Both Ends | Rough | 10 | 1.8 |
| 104-6 | ○ | 026613074740 | 3/8" FIP, Both Ends | Rough | 10 | 2.3 |
| 104-8 | ○ | 026613074757 | 1/2" FIP, Both Ends | Rough | 10 | 4.2 |
| 104-12 | ○ | 026613074719 | 3/4" FIP, Both Ends | Rough | 5 | 2.3 |



| | | | | | | |
|------------------------------|---|--------------|---------------------|-------|----|-----|
| Female Pipe Couplings | | | | | | |
| 207-2 | ○ | 026613003931 | 1/8" FIP, Both Ends | Rough | 10 | 0.4 |
| 207-2X | ▲ | 026613147284 | 1/8" FIP, Both Ends | Rough | 10 | 0.4 |
| 207-4 | ○ | 026613003948 | 1/4" FIP, Both Ends | Rough | 10 | 0.9 |
| 207-4X | ▲ | 026613147307 | 1/4" FIP, Both Ends | Rough | 10 | 0.6 |
| 207-6 | ○ | 026613003955 | 3/8" FIP, Both Ends | Rough | 10 | 1.0 |
| 207-6X | ▲ | 026613147321 | 3/8" FIP, Both Ends | Rough | 10 | 1.1 |
| 207-8 | ○ | 026613003962 | 1/2" FIP, Both Ends | Rough | 10 | 2.0 |
| 207-8X | ▲ | 026613147345 | 1/2" FIP, Both Ends | Rough | 10 | 2.0 |
| 207-12 | ○ | 026613004440 | 3/4" FIP, Both Ends | Rough | 10 | 2.3 |
| 207-12X | ▲ | 026613147260 | 3/4" FIP, Both Ends | Rough | 10 | 2.4 |



| | | | | | | |
|-------------------------------|---|--------------|---------------------|-------|----|-----|
| Pipe Reducer Couplings | | | | | | |
| 119-4-2 | ○ | 026613010526 | 1/4" FIP x 1/8" FIP | Rough | 10 | 0.8 |
| 119-6-2 | ○ | 026613075501 | 3/8" FIP x 1/8" FIP | Rough | 10 | 0.6 |
| 119-6-4 | ○ | 026613010540 | 3/8" FIP x 1/4" FIP | Rough | 10 | 1.2 |
| 119-6-4X | ▲ | 026613146140 | 3/8" FIP x 1/4" FIP | Rough | 10 | 0.7 |
| 119-8-2 | ○ | 026613075518 | 1/2" FIP x 1/8" FIP | Rough | 10 | 1.0 |
| 119-8-4 | ○ | 026613075525 | 1/2" FIP x 1/4" FIP | Rough | 10 | 1.9 |
| 119-8-4X | ▲ | 026613146157 | 1/2" FIP x 1/4" FIP | Rough | 10 | 1.0 |
| 119-8-6 | ○ | 026613010557 | 1/2" FIP x 3/8" FIP | Rough | 10 | 2.0 |
| 119-8-6X | ▲ | 026613146164 | 1/2" FIP x 3/8" FIP | Rough | 10 | 1.0 |
| 119-12-8 | ○ | 026613010533 | 3/4" FIP x 1/2" FIP | Rough | 10 | 1.8 |
| 119-12-8X | ▲ | 026613146133 | 3/4" FIP x 1/2" FIP | Rough | 10 | 1.7 |



○ Not for use in potable water applications.

● Can be used in potable water applications.

▲ Certified Compliant to NSF/ANSI 372 for potable water applications

| PART NO. | USE | UPC | DESCRIPTION | FINISH | QTY | LBS |
|----------------------|-----|--------------|---------------------|--------|-----|-----|
| Pipe Adaptors | | | | | | |
| 120-2 | ○ | 026613075563 | 1/8" FIP x 1/8" MIP | Rough | 25 | 0.6 |
| 120-2X | ▲ | 026613146201 | 1/8" FIP x 1/8" MIP | Rough | 25 | 0.9 |
| 120-4 | ○ | 026613075570 | 1/4" FIP x 1/4" MIP | Rough | 25 | 2.4 |
| 120-4X | ▲ | 026613146218 | 1/4" FIP x 1/4" MIP | Rough | 25 | 2.2 |
| 120-4-2 | ○ | 026613075587 | 1/4" FIP x 1/8" MIP | Rough | 25 | 1.9 |
| 120-4-2X | ▲ | 026613146225 | 1/4" FIP x 1/8" MIP | Rough | 25 | 1.9 |
| 120-6 | ○ | 026613075594 | 3/8" FIP x 3/8" MIP | Rough | 25 | 2.8 |
| 120-6-2 | ○ | 026613075600 | 3/8" FIP x 1/8" MIP | Rough | 25 | 2.3 |
| 120-6-2X | ▲ | 026613146232 | 3/8" FIP x 1/8" MIP | Rough | 25 | 2.3 |
| 120-6-4 | ○ | 026613075617 | 3/8" FIP x 1/4" MIP | Rough | 25 | 2.5 |
| 120-8 | ○ | 026613075624 | 1/2" FIP x 1/2" MIP | Rough | 25 | 2.6 |
| 120-8X | ▲ | 026613146249 | 1/2" FIP x 1/2" MIP | Rough | 25 | 5.2 |
| 120-8-4 | ○ | 026613075631 | 1/2" FIP x 1/4" MIP | Rough | 10 | 1.5 |
| 120-8-4X | ▲ | 026613146256 | 1/2" FIP x 1/4" MIP | Rough | 10 | 1.8 |
| 120-8-6 | ○ | 026613075648 | 1/2" FIP x 3/8" MIP | Rough | 25 | 3.2 |
| 120-8-6X | ▲ | 026613146270 | 1/2" FIP x 3/8" MIP | Rough | 25 | 3.2 |
| 120-12 | ○ | 026613075532 | 3/4" FIP x 3/4" MIP | Rough | 10 | 3.7 |
| 120-12-6 | ○ | 026613075549 | 3/4" FIP x 3/8" MIP | Rough | 10 | 3.0 |
| 120-12-8 | ○ | 026613075556 | 3/4" FIP x 1/2" MIP | Rough | 10 | 3.5 |
| 120-12-8X | ▲ | 026613146195 | 3/4" FIP x 1/2" MIP | Rough | 10 | 3.3 |



Pipe Reducer Bushings

| | | | | | | |
|-----------|---|--------------|---------------------|-------|----|-----|
| PRB-4-2 | ○ | 026613004112 | 1/4" MIP x 1/8" FIP | Rough | 10 | 0.3 |
| PRB-4-2X | ▲ | 026613151304 | 1/4" MIP x 1/8" FIP | Rough | 10 | 0.3 |
| PRB-6-2 | ○ | 026613076102 | 3/8" MIP x 1/8" FIP | Rough | 10 | 0.5 |
| PRB-6-2X | ▲ | 026613151328 | 3/8" MIP x 1/8" FIP | Rough | 10 | 0.4 |
| PRB-6-4 | ○ | 026613004129 | 3/8" MIP x 1/4" FIP | Rough | 10 | 0.4 |
| PRB-6-4X | ▲ | 026613151342 | 3/8" MIP x 1/4" FIP | Rough | 10 | 0.4 |
| PRB-8-2 | ○ | 026613076119 | 1/2" MIP x 1/8" FIP | Rough | 10 | 1.3 |
| PRB-8-2X | ▲ | 026613151366 | 1/2" MIP x 1/8" FIP | Rough | 10 | 0.7 |
| PRB-8-4 | ○ | 026613076126 | 1/2" MIP x 1/4" FIP | Rough | 10 | 1.1 |
| PRB-8-4X | ▲ | 026613151373 | 1/2" MIP x 1/4" FIP | Rough | 10 | 0.6 |
| PRB-8-6 | ○ | 026613004136 | 1/2" MIP x 3/8" FIP | Rough | 10 | 0.8 |
| PRB-8-6X | ▲ | 026613151397 | 1/2" MIP x 3/8" FIP | Rough | 10 | 0.4 |
| PRB-12-2 | ○ | 026613076065 | 3/4" MIP x 1/8" FIP | Rough | 10 | 2.3 |
| PRB-12-4 | ○ | 026613076072 | 3/4" MIP x 1/4" FIP | Rough | 10 | 2.1 |
| PRB-12-4X | ▲ | 026613151267 | 3/4" MIP x 1/4" FIP | Rough | 10 | 1.3 |
| PRB-12-6 | ○ | 026613076089 | 3/4" MIP x 3/8" FIP | Rough | 10 | 1.7 |
| PRB-12-8 | ○ | 026613004105 | 3/4" MIP x 1/2" FIP | Rough | 5 | 0.6 |
| PRB-12-8X | ▲ | 026613151281 | 3/4" MIP x 1/2" FIP | Rough | 5 | 0.4 |
| PRB-16-12 | ○ | 026613967028 | 1" MIP x 3/4" FIP | Rough | 5 | 1.0 |



○ Not for use in potable water applications.

▲ Certified Compliant to NSF/ANSI 372 for potable water applications

| PART NO. | USE | UPC | DESCRIPTION | FINISH | QTY | LBS |
|---------------------------------|-----|--------------|---------------------------|--------|-----|-----|
| Male Pipe Sweat Adaptors | | | | | | |
| PSA-8 | ○ | 026613076157 | 1/2" MIP x 1/2" Nom Sweat | Rough | 10 | 0.3 |
| PSA-8X | ▲ | 039166120444 | 1/2" MIP x 1/2" Nom Sweat | Rough | 10 | 0.3 |
| PSA-12 | ○ | 026613076133 | 3/4" MIP x 3/4" Nom Sweat | Rough | 10 | 0.4 |
| PSA-12X | ▲ | 039166120420 | 3/4" MIP x 3/4" Nom Sweat | Rough | 10 | 0.4 |
| PSA-16 | ○ | 026613076140 | 1" MIP x 1" Nom Sweat | Rough | 10 | 0.5 |
| PSA-16X | ▲ | 039166120437 | 1" MIP x 1" Nom Sweat | Rough | 10 | 0.5 |



90° Female Pipe Elbows

| | | | | | | |
|--------|---|--------------|---------------------|-------|----|-----|
| 200-2 | ○ | 026613003849 | 1/8" FIP, Both Ends | Rough | 10 | 0.7 |
| 200-2X | ▲ | 026613146911 | 1/8" FIP, Both Ends | Rough | 10 | 0.6 |
| 200-4 | ○ | 026613003856 | 1/4" FIP, Both Ends | Rough | 10 | 1.3 |
| 200-4X | ▲ | 026613146942 | 1/4" FIP, Both Ends | Rough | 10 | 1.3 |
| 200-6 | ○ | 026613003863 | 3/8" FIP, Both Ends | Rough | 10 | 1.4 |
| 200-6X | ▲ | 026613146966 | 3/8" FIP, Both Ends | Rough | 10 | 1.8 |
| 200-8 | ○ | 026613004426 | 1/2" FIP, Both Ends | Rough | 10 | 2.7 |
| 200-8X | ▲ | 026613146997 | 1/2" FIP, Both Ends | Rough | 10 | 3.2 |
| 200-12 | ○ | 026613004433 | 3/4" FIP, Both Ends | Rough | 10 | 4.0 |



90° Street Elbows

| | | | | | | |
|---------|---|--------------|---------------------|-------|----|-----|
| 202-2 | ○ | 026613006888 | 1/8" FIP x 1/8" MIP | Rough | 10 | 0.5 |
| 202-2X | ▲ | 026613147031 | 1/8" FIP x 1/8" MIP | Rough | 10 | 0.6 |
| 202-4 | ○ | 026613006895 | 1/4" FIP x 1/4" MIP | Rough | 10 | 1.1 |
| 202-4X | ▲ | 026613147062 | 1/4" FIP x 1/4" MIP | Rough | 10 | 1.2 |
| 202-6 | ○ | 026613012315 | 3/8" FIP x 3/8" MIP | Rough | 10 | 1.6 |
| 202-6X | ▲ | 026613147093 | 3/8" FIP x 3/8" MIP | Rough | 10 | 1.6 |
| 202-8 | ○ | 026613012322 | 1/2" FIP x 1/2" MIP | Rough | 10 | 3.1 |
| 202-8X | ▲ | 026613147123 | 1/2" FIP x 1/2" MIP | Rough | 10 | 3.1 |
| 202-12 | ○ | 026613075679 | 3/4" FIP x 3/4" MIP | Rough | 10 | 2.4 |
| 202-12X | ▲ | 026613147024 | 3/4" FIP x 3/4" MIP | Rough | 10 | 3.1 |



45° Female Pipe Elbows

| | | | | | | |
|--------|---|--------------|---------------------|-------|----|-----|
| 205-2 | ○ | 026613075693 | 1/8" FIP, Both Ends | Rough | 10 | 0.6 |
| 205-4 | ○ | 026613075709 | 1/4" FIP, Both Ends | Rough | 10 | 1.2 |
| 205-6 | ○ | 026613075716 | 3/8" FIP, Both Ends | Rough | 10 | 1.4 |
| 205-8 | ○ | 026613075723 | 1/2" FIP, Both Ends | Rough | 10 | 2.3 |
| 205-12 | ○ | 026613075686 | 3/4" FIP, Both Ends | Rough | 10 | 3.1 |



45° Street Elbows

| | | | | | | |
|--------|---|--------------|---------------------|-------|----|-----|
| 224-2 | ○ | 026613075860 | 1/8" FIP x 1/8" MIP | Rough | 10 | 0.4 |
| 224-2X | ▲ | 026613147512 | 1/8" FIP x 1/8" MIP | Rough | 10 | 0.4 |
| 224-4 | ○ | 026613075877 | 1/4" FIP x 1/4" MIP | Rough | 10 | 0.9 |
| 224-4X | ▲ | 026613147529 | 1/4" FIP x 1/4" MIP | Rough | 10 | 0.7 |
| 224-6 | ○ | 026613075884 | 3/8" FIP x 3/8" MIP | Rough | 10 | 1.1 |
| 224-6X | ▲ | 026613147536 | 3/8" FIP x 3/8" MIP | Rough | 10 | 1.0 |
| 224-8 | ○ | 026613075891 | 1/2" FIP x 1/2" MIP | Rough | 10 | 2.2 |
| 224-8X | ▲ | 026613147543 | 1/2" FIP x 1/2" MIP | Rough | 10 | 2.2 |



○ Not for use in potable water applications.

▲ Certified Compliant to NSF/ANSI 372 for potable water applications

| PART NO. | USE | UPC | DESCRIPTION | FINISH | QTY | LBS |
|---------------------------|-----|--------------|---------------------|--------|-----|-----|
| Close Pipe Nipples | | | | | | |
| 112-02-RX | ▲ | 026613145303 | 1/8" MIP, Both Ends | Rough | 25 | 0.4 |
| 112-04-RX | ▲ | 026613145310 | 1/4" MIP, Both Ends | Rough | 25 | 0.6 |
| 112-06-CX | ▲ | 026613145327 | 3/8" MIP, Both Ends | Chrome | 25 | 1.2 |
| 112-06-RX | ▲ | 026613145334 | 3/8" MIP, Both Ends | Rough | 25 | 1.2 |
| 112-08-CX | ▲ | 026613145341 | 1/2" MIP, Both Ends | Chrome | 5 | 0.4 |
| 112-08-RX | ▲ | 026613145358 | 1/2" MIP, Both Ends | Rough | 5 | 0.4 |
| 112-12-RX | ▲ | 026613145365 | 3/4" MIP, Both Ends | Rough | 5 | 0.5 |
| 112-16-RX | ▲ | 026613145372 | 1" MIP, Both Ends | Rough | 5 | 0.8 |



| | | | | | | |
|-------------------------|---|--------------|---------------------|-------|----|-----|
| Hex Pipe Nipples | | | | | | |
| PHN-2 | ○ | 026613004082 | 1/8" MIP, Both Ends | Rough | 10 | 0.3 |
| PHN-2X | ▲ | 026613150970 | 1/8" MIP, Both Ends | Rough | 10 | 0.3 |
| PHN-4 | ○ | 026613004273 | 1/4" MIP, Both Ends | Rough | 10 | 0.5 |
| PHN-4X | ▲ | 026613150994 | 1/4" MIP, Both Ends | Rough | 10 | 0.4 |
| PHN-4-2 | ○ | 026613076003 | 1/4" MIP x 1/8" MIP | Rough | 10 | 0.5 |
| PHN-4-2X | ▲ | 026613151014 | 1/4" MIP x 1/8" MIP | Rough | 10 | 0.4 |
| PHN-6 | ○ | 026613004099 | 3/8" MIP, Both Ends | Rough | 10 | 0.8 |
| PHN-6X | ▲ | 026613151038 | 3/8" MIP, Both Ends | Rough | 10 | 0.6 |
| PHN-6-2 | ○ | 026613076010 | 3/8" MIP x 1/8" MIP | Rough | 10 | 0.7 |
| PHN-6-4 | ○ | 026613076027 | 3/8" MIP x 1/4" MIP | Rough | 10 | 0.8 |
| PHN-8 | ○ | 026613004334 | 1/2" MIP, Both Ends | Rough | 10 | 1.5 |
| PHN-8X | ▲ | 026613151076 | 1/2" MIP, Both Ends | Rough | 10 | 1.3 |
| PHN-8-4 | ○ | 026613076034 | 1/2" MIP x 1/4" MIP | Rough | 10 | 1.2 |
| PHN-8-4X | ▲ | 026613151090 | 1/2" MIP x 1/4" MIP | Rough | 10 | 0.8 |
| PHN-8-6 | ○ | 026613076041 | 1/2" MIP x 3/8" MIP | Rough | 10 | 1.2 |
| PHN-8-6X | ▲ | 026613151113 | 1/2" MIP x 3/8" MIP | Rough | 10 | 1.2 |
| PHN-12 | ○ | 026613075990 | 3/4" MIP x 3/4" MIP | Rough | 10 | 2.0 |
| PHN-12X | ▲ | 026613150956 | 3/4" MIP x 3/4" MIP | Rough | 10 | 1.5 |



| | | | | | | |
|---------------------|---|--------------|-------------------|-------|----|-----|
| Pipe Nipples | | | | | | |
| 113-02-1.5-RX | ▲ | 026613145402 | 1/8" MIP x 1-1/2" | Rough | 25 | 0.7 |
| 113-02-2-RX | ▲ | 026613145426 | 1/8" MIP x 2" | Rough | 25 | 0.7 |
| 113-02-2.5-RX | ▲ | 026613145419 | 1/8" MIP x 2-1/2" | Rough | 25 | 2.5 |
| 113-02-3-RX | ▲ | 026613145440 | 1/8" MIP x 3" | Rough | 25 | 1.5 |
| 113-02-3.5-RX | ▲ | 026613145433 | 1/8" MIP x 3-1/2" | Rough | 25 | 2.0 |
| 113-02-4-RX | ▲ | 026613145457 | 1/8" MIP x 4" | Rough | 25 | 2.2 |
| 113-04-1.5-RX | ▲ | 026613145464 | 1/4" MIP x 1-1/2" | Rough | 25 | 1.5 |
| 113-04-2-RX | ▲ | 026613145488 | 1/4" MIP x 2" | Rough | 25 | 1.5 |
| 113-04-2.5-RX | ▲ | 026613145471 | 1/4" MIP x 2-1/2" | Rough | 25 | 1.9 |
| 113-04-3-RX | ▲ | 026613145501 | 1/4" MIP x 3" | Rough | 25 | 3.0 |
| 113-04-3.5-RX | ▲ | 026613145495 | 1/4" MIP x 3-1/2" | Rough | 25 | 2.8 |
| 113-04-4-RX | ▲ | 026613145518 | 1/4" MIP x 4" | Rough | 25 | 3.9 |
| 113-04-6-RX | ▲ | 026613145525 | 1/4" MIP x 6" | Rough | 25 | 5.4 |
| 113-06-1.5-RX | ▲ | 026613145549 | 3/8" MIP x 1-1/2" | Rough | 25 | 1.4 |



○ Not for use in potable water applications.

▲ Certified Compliant to NSF/ANSI 372 for potable water applications

| PART NO. | USE | UPC | DESCRIPTION | FINISH | QTY | LBS |
|-----------------------------|-----|--------------|-------------------|--------|-----|-----|
| Pipe Nipples (cont.) | | | | | | |
| 113-06-1.5-CX | ▲ | 026613145532 | 3/8" MIP x 1-1/2" | Chrome | 25 | 1.6 |
| 113-06-2-RX | ▲ | 026613145587 | 3/8" MIP x 2" | Rough | 25 | 2.0 |
| 113-06-2-CX | ▲ | 026613145570 | 3/8" MIP x 2" | Chrome | 25 | 2.0 |
| 113-06-2.5-RX | ▲ | 026613145563 | 3/8" MIP x 2-1/2" | Rough | 25 | 2.5 |
| 113-06-2.5-CX | ▲ | 026613145556 | 3/8" MIP x 2-1/2" | Chrome | 25 | 2.5 |
| 113-06-3-RX | ▲ | 026613145617 | 3/8" MIP x 3" | Rough | 25 | 3.2 |
| 113-06-3-CX | ▲ | 026613145600 | 3/8" MIP x 3" | Chrome | 25 | 3.2 |
| 113-06-3.5-CX | ▲ | 026613145594 | 3/8" MIP x 3-1/2" | Chrome | 25 | 4.4 |
| 113-06-4-RX | ▲ | 026613145686 | 3/8" MIP x 4" | Rough | 25 | 4.4 |
| 113-06-4-CX | ▲ | 026613145679 | 3/8" MIP x 4" | Chrome | 25 | 4.5 |
| 113-06-4.5-CX | ▲ | 026613145662 | 3/8" MIP x 4-1/2" | Chrome | 25 | 5.5 |
| 113-06-5-CX | ▲ | 026613145709 | 3/8" MIP x 5" | Chrome | 25 | 6.1 |
| 113-06-5.5-CX | ▲ | 026613145693 | 3/8" MIP x 5-1/2" | Chrome | 25 | 7.7 |
| 113-06-6-CX | ▲ | 026613145730 | 3/8" MIP x 6" | Chrome | 25 | 7.5 |
| 113-08-1.5-RX | ▲ | 026613145754 | 1/2" MIP x 1-1/2" | Rough | 5 | 0.5 |
| 113-08-1.5-CX | ▲ | 026613145747 | 1/2" MIP x 1-1/2" | Chrome | 5 | 0.5 |
| 113-08-2.5-RX | ▲ | 026613145778 | 1/2" MIP x 2-1/2" | Rough | 5 | 0.9 |
| 113-08-2.5-CX | ▲ | 026613145761 | 1/2" MIP x 2-1/2" | Chrome | 5 | 0.8 |
| 113-08-2-RX | ▲ | 026613145792 | 1/2" MIP x 2" | Rough | 5 | 0.6 |
| 113-08-2-CX | ▲ | 026613145785 | 1/2" MIP x 2" | Chrome | 5 | 0.6 |
| 113-08-3-RX | ▲ | 026613145839 | 1/2" MIP x 3" | Rough | 5 | 0.8 |
| 113-08-3-CX | ▲ | 026613145822 | 1/2" MIP x 3" | Chrome | 5 | 0.7 |
| 113-08-3.5-RX | ▲ | 026613145815 | 1/2" MIP x 3-1/2" | Rough | 5 | 1.0 |
| 113-08-3.5-CX | ▲ | 026613145808 | 1/2" MIP x 3-1/2" | Chrome | 5 | 1.0 |
| 113-08-4-RX | ▲ | 026613145907 | 1/2" MIP x 4" | Rough | 5 | 1.3 |
| 113-08-4-CX | ▲ | 026613145891 | 1/2" MIP x 4" | Chrome | 5 | 1.3 |
| 113-08-4.5-CX | ▲ | 026613145884 | 1/2" MIP x 4-1/2" | Chrome | 5 | 1.5 |
| 113-08-5.5-RX | ▲ | 026613145921 | 1/2" MIP x 5-1/2" | Rough | 5 | 1.7 |
| 113-08-5.5-CX | ▲ | 026613145914 | 1/2" MIP x 5-1/2" | Chrome | 5 | 1.7 |
| 113-08-5-RX | ▲ | 026613145945 | 1/2" MIP x 5" | Rough | 5 | 1.4 |
| 113-08-5-CX | ▲ | 026613145938 | 1/2" MIP x 5" | Chrome | 5 | 1.4 |
| 113-08-6-RX | ▲ | 026613145983 | 1/2" MIP x 6" | Rough | 5 | 2.0 |
| 113-08-6-CX | ▲ | 026613145976 | 1/2" MIP x 6" | Chrome | 5 | 2.0 |
| 113-12-1.5-RX | ▲ | 026613145990 | 3/4" MIP x 1-1/2" | Rough | 5 | 0.7 |
| 113-12-2-RX | ▲ | 026613146027 | 3/4" MIP x 2" | Rough | 5 | 0.9 |
| 113-12-2-CX | ▲ | 026613146010 | 3/4" MIP x 2" | Chrome | 5 | 0.9 |
| 113-12-2.5-RX | ▲ | 026613146003 | 3/4" MIP x 2-1/2" | Rough | 5 | 1.0 |
| 113-12-3-RX | ▲ | 026613146041 | 3/4" MIP x 3" | Rough | 5 | 1.3 |
| 113-12-3.5-RX | ▲ | 026613146034 | 3/4" MIP x 3-1/2" | Rough | 5 | 1.7 |
| 113-12-4-RX | ▲ | 026613146065 | 3/4" MIP x 4" | Rough | 5 | 2.0 |
| 113-12-4.5-CX | ▲ | 026613146058 | 3/4" MIP x 4-1/2" | Chrome | 5 | 0.1 |
| 113-12-5-RX | ▲ | 026613146072 | 3/4" MIP x 5" | Rough | 5 | 2.3 |
| 113-12-6-RX | ▲ | 026613146089 | 3/4" MIP x 6" | Rough | 5 | 2.8 |



▲ Certified Compliant to NSF/ANSI 372 for potable water applications

| PART NO. | USE | UPC | DESCRIPTION | FINISH | QTY | LBS |
|-----------------------------|-----|--------------|-------------|--------|-----|-----|
| Pipe Nipples (cont.) | | | | | | |
| 113-16-2-RX | ▲ | 026613146096 | 1" MIP x 2" | Rough | 5 | 1.2 |
| 113-16-3-RX | ▲ | 026613146102 | 1" MIP x 3" | Rough | 5 | 1.9 |
| 113-16-4-RX | ▲ | 026613146119 | 1" MIP x 4" | Rough | 5 | 0.1 |
| 113-16-6-RX | ▲ | 026613146126 | 1" MIP x 6" | Rough | 5 | 3.9 |



| | | | | | | |
|------------------|---|--------------|----------------------|-------|----|-----|
| Pipe Tees | | | | | | |
| 203-2 | ○ | 026613003894 | 1/8" FIP, All 3 Ends | Rough | 10 | 0.8 |
| 203-2X | ▲ | 026613147161 | 1/8" FIP, All 3 Ends | Rough | 10 | 0.8 |
| 203-4 | ○ | 026613003900 | 1/4" FIP, All 3 Ends | Rough | 10 | 1.7 |
| 203-4X | ▲ | 026613147185 | 1/4" FIP, All 3 Ends | Rough | 10 | 1.5 |
| 203-6 | ○ | 026613003917 | 3/8" FIP, All 3 Ends | Rough | 10 | 2.2 |
| 203-6X | ▲ | 026613147215 | 3/8" FIP, All 3 Ends | Rough | 10 | 2.0 |
| 203-8 | ○ | 026613003924 | 1/2" FIP, All 3 Ends | Rough | 10 | 4.3 |
| 203-8X | ▲ | 026613147246 | 1/2" FIP, All 3 Ends | Rough | 10 | 3.6 |
| 203-12 | ○ | 026613004419 | 3/4" FIP, All 3 Ends | Rough | 10 | 5.3 |



| | | | | | | |
|--------------------|---|--------------|--------------------------------|-------|----|-----|
| Street Tees | | | | | | |
| 225-2 | ○ | 026613075907 | 1/8" FIP x 1/8" MIP x 1/8" FIP | Rough | 10 | 0.7 |
| 225-2X | ▲ | 026613147550 | 1/8" FIP x 1/8" MIP x 1/8" FIP | Rough | 10 | 0.7 |
| 225-4 | ○ | 026613075914 | 1/4" FIP x 1/4" MIP x 1/4" FIP | Rough | 10 | 1.5 |
| 225-4X | ▲ | 026613147581 | 1/4" FIP x 1/4" MIP x 1/4" FIP | Rough | 10 | 1.4 |
| 225-6 | ○ | 026613075921 | 3/8" FIP x 3/8" MIP x 3/8" FIP | Rough | 10 | 1.9 |
| 225-6X | ▲ | 026613147598 | 3/8" FIP x 3/8" MIP x 3/8" FIP | Rough | 10 | 1.9 |
| 225-8 | ○ | 026613075938 | 1/2" FIP x 1/2" MIP x 1/2" FIP | Rough | 10 | 3.9 |



| | | | | | | |
|--------------------------|---|--------------|----------------------|-------|----|-----|
| Female Pipe Cross | | | | | | |
| 102-2 | ○ | 026613074672 | 1/8" FIP, All 4 Ends | Rough | 10 | 0.6 |
| 102-4 | ○ | 026613074689 | 1/4" FIP, All 4 Ends | Rough | 10 | 1.5 |
| 102-6 | ○ | 026613074696 | 3/8" FIP, All 4 Ends | Rough | 10 | 1.1 |
| 102-8 | ○ | 026613074702 | 1/2" FIP, All 4 Ends | Rough | 10 | 3.7 |
| 102-12 | ○ | 026613074665 | 3/4" FIP, All 4 Ends | Rough | 10 | 7.3 |



| | | | | | | |
|-------------------------|---|--------------|--------------------------------|-------|----|-----|
| Male Branch Tees | | | | | | |
| 226-2 | ○ | 026613075952 | 1/8" FIP x 1/8" FIP x 1/8" MIP | Rough | 25 | 1.9 |
| 226-4 | ○ | 026613075969 | 1/4" FIP x 1/4" FIP x 1/4" MIP | Rough | 25 | 3.9 |
| 226-4X | ▲ | 026613147659 | 1/4" FIP x 1/4" FIP x 1/4" MIP | Rough | 25 | 3.5 |
| 226-6 | ○ | 026613075976 | 3/8" FIP x 3/8" FIP x 3/8" MIP | Rough | 10 | 1.9 |
| 226-8 | ○ | 026613075983 | 1/2" FIP x 1/2" FIP x 1/2" MIP | Rough | 10 | 3.8 |
| 226-12 | ○ | 026613075945 | 3/4" FIP x 3/4" FIP x 3/4" MIP | Rough | 5 | 2.8 |



○ Not for use in potable water applications.

▲ Certified Compliant to NSF/ANSI 372 for potable water applications

Brass Hose Barb Fittings

Product Applications

- For use with plastic or rubber tubing. Installation requires hose clamp.

Product Advantages

- BrassCraft® Hose Barb Fittings are manufactured with dryseal pipe threads.
- Connectors, unions, nuts, elbows and tees machined from brass rod.
- Backed by BrassCraft Mfg.'s 65 plus year history and reputation for quality and service.

How to Order

- Order fittings by part number and product name.

Special Orders

- Special fitting configurations and sizes may be ordered. Please furnish a print or sketch of your needs with your inquiry.
- Fittings are available in bulk quantities on request. Contact your sales representative for details.



Assembly Instructions

1. Cut hose cleanly and squarely to length.
2. Slide hose clamp onto hose end.
3. Lubricate hose with a drop of oil. Push hose onto fitting until hose reaches fitting stop ring or hex.
4. Move hose clamp over hose and barb. Tighten with screwdriver or wrench.



| PART NO. | USE | UPC | DESCRIPTION | FINISH | QTY | LBS |
|---------------------------|-----|--------------|-------------------------------|--------|-----|-----|
| Hose Barb Splicers | | | | | | |
| 73-3 | ○ | 026613087399 | 3/16" ID Hose Barb, Both Ends | Rough | 25 | 0.6 |
| 73-3X | ▲ | 026613148915 | 3/16" ID Hose Barb, Both Ends | Rough | 25 | 0.3 |
| 73-4 | ○ | 026613082462 | 1/4" ID Hose Barb, Both Ends | Rough | 25 | 0.6 |
| 73-4X | ▲ | 026613148922 | 1/4" ID Hose Barb, Both Ends | Rough | 25 | 0.5 |
| 73-5 | ○ | 026613082479 | 5/16" ID Hose Barb, Both Ends | Rough | 25 | 0.8 |
| 73-5X | ▲ | 026613148939 | 5/16" ID Hose Barb, Both Ends | Rough | 25 | 0.9 |
| 73-6 | ○ | 026613082455 | 3/8" ID Hose Barb, Both Ends | Rough | 25 | 0.9 |
| 73-6X | ▲ | 026613148946 | 3/8" ID Hose Barb, Both Ends | Rough | 25 | 1.0 |
| 73-8 | ○ | 026613082578 | 1/2" ID Hose Barb, Both Ends | Rough | 25 | 1.6 |
| 73-8X | ▲ | 026613148953 | 1/2" ID Hose Barb, Both Ends | Rough | 25 | 1.9 |

Female Hose Barb Adaptors

| | | | | | | |
|----------|---|--------------|-------------------------------|-------|----|-----|
| 126-2-2 | ○ | 026613084732 | 1/8" ID Hose Barb x 1/8" FIP | Rough | 10 | 0.2 |
| 126-3-2 | ○ | 026613084749 | 3/16" ID Hose Barb x 1/8" FIP | Rough | 25 | 0.6 |
| 126-4-2 | ○ | 026613084763 | 1/4" ID Hose Barb x 1/8" FIP | Rough | 25 | 0.6 |
| 126-4-2X | ▲ | 026613146683 | 1/4" ID Hose Barb x 1/8" FIP | Rough | 25 | 0.9 |
| 126-4-4 | ○ | 026613012285 | 1/4" ID Hose Barb x 1/4" FIP | Rough | 25 | 1.3 |
| 126-4-4X | ▲ | 026613146690 | 1/4" ID Hose Barb x 1/4" FIP | Rough | 25 | 1.0 |
| 126-5-2 | ○ | 026613084794 | 5/16" ID Hose Barb x 1/8" FIP | Rough | 10 | 0.4 |
| 126-5-4 | ○ | 026613082639 | 5/16" ID Hose Barb x 1/4" FIP | Rough | 25 | 1.4 |
| 126-6-2 | ○ | 026613084817 | 3/8" ID Hose Barb x 1/8" FIP | Rough | 25 | 0.7 |
| 126-6-4 | ○ | 026613082516 | 3/8" ID Hose Barb x 1/4" FIP | Rough | 25 | 1.8 |
| 126-6-4X | ▲ | 026613146706 | 3/8" ID Hose Barb x 1/4" FIP | Rough | 25 | 1.2 |
| 126-6-6 | ○ | 026613012292 | 3/8" ID Hose Barb x 3/8" FIP | Rough | 25 | 2.1 |
| 126-6-6X | ▲ | 026613146713 | 3/8" ID Hose Barb x 3/8" FIP | Rough | 25 | 1.4 |



○ Not for use in potable water applications.

▲ Certified Compliant to NSF/ANSI 372 for potable water applications

| PART NO. | USE | UPC | DESCRIPTION | FINISH | QTY | LBS |
|--|-----|--------------|------------------------------|--------|-----|-----|
| Female Hose Barb Adaptors (cont.) | | | | | | |
| 126-6-8 | ○ | 026613084855 | 3/8" ID Hose Barb x 1/2" FIP | Rough | 25 | 3.5 |
| 126-8-4 | ○ | 026613084879 | 1/2" ID Hose Barb x 1/4" FIP | Rough | 10 | 0.6 |
| 126-8-6 | ○ | 026613084886 | 1/2" ID Hose Barb x 3/8" FIP | Rough | 25 | 2.6 |
| 126-8-8 | ○ | 026613012308 | 1/2" ID Hose Barb x 1/2" FIP | Rough | 25 | 4.1 |
| 126-8-8X | ▲ | 026613146737 | 1/2" ID Hose Barb x 1/2" FIP | Rough | 25 | 2.6 |
| 126-12-12 | ○ | 026613084725 | 3/4" ID Hose Barb x 3/4" FIP | Rough | 10 | 2.3 |



Male Hose Barb Adaptors

| | | | | | | |
|----------|---|--------------|-------------------------------|-------|----|-----|
| 125-2-2 | ○ | 026613082530 | 1/8" ID Hose Barb x 1/8" MIP | Rough | 25 | 0.5 |
| 125-2-2X | ▲ | 026613146416 | 1/8" ID Hose Barb x 1/8" MIP | Rough | 25 | 0.5 |
| 125-2-4 | ○ | 026613084435 | 1/8" ID Hose Barb x 1/4" MIP | Rough | 10 | 0.3 |
| 125-2-4X | ▲ | 026613146430 | 1/8" ID Hose Barb x 1/4" MIP | Rough | 10 | 0.3 |
| 125-3-2 | ○ | 026613088228 | 3/16" ID Hose Barb x 1/8" MIP | Rough | 10 | 0.3 |
| 125-3-2X | ▲ | 026613146447 | 3/16" ID Hose Barb x 1/8" MIP | Rough | 10 | 0.2 |
| 125-3-4 | ○ | 026613084459 | 3/16" ID Hose Barb x 1/4" MIP | Rough | 10 | 0.3 |
| 125-3-4X | ▲ | 026613146461 | 3/16" ID Hose Barb x 1/4" MIP | Rough | 10 | 0.3 |
| 125-4-2 | ○ | 026613082400 | 1/4" ID Hose Barb x 1/8" MIP | Rough | 25 | 0.6 |
| 125-4-2X | ▲ | 026613146478 | 1/4" ID Hose Barb x 1/8" MIP | Rough | 25 | 0.6 |
| 125-4-4 | ○ | 026613003818 | 1/4" ID Hose Barb x 1/4" MIP | Rough | 25 | 0.9 |
| 125-4-4X | ▲ | 026613146492 | 1/4" ID Hose Barb x 1/4" MIP | Rough | 25 | 0.9 |
| 125-4-6 | ○ | 026613082417 | 1/4" ID Hose Barb x 3/8" MIP | Rough | 25 | 1.4 |
| 125-4-6X | ▲ | 026613146515 | 1/4" ID Hose Barb x 3/8" MIP | Rough | 25 | 1.4 |
| 125-4-8 | ○ | 026613084510 | 1/4" ID Hose Barb x 1/2" MIP | Rough | 10 | 0.9 |
| 125-4-8X | ▲ | 026613146522 | 1/4" ID Hose Barb x 1/2" MIP | Rough | 10 | 0.9 |
| 125-5-2 | ○ | 026613084527 | 5/16" ID Hose Barb x 1/8" MIP | Rough | 10 | 0.3 |
| 125-5-2X | ▲ | 026613146539 | 5/16" ID Hose Barb x 1/8" MIP | Rough | 10 | 0.3 |
| 125-5-4 | ○ | 026613082486 | 5/16" ID Hose Barb x 1/4" MIP | Rough | 10 | 0.4 |
| 125-5-4X | ▲ | 026613146546 | 5/16" ID Hose Barb x 1/4" MIP | Rough | 10 | 0.4 |
| 125-5-6 | ○ | 026613084558 | 5/16" ID Hose Barb x 3/8" MIP | Rough | 10 | 0.6 |
| 125-6-2 | ○ | 026613082615 | 3/8" ID Hose Barb x 1/8" MIP | Rough | 25 | 1.0 |
| 125-6-2X | ▲ | 026613146553 | 3/8" ID Hose Barb x 1/8" MIP | Rough | 25 | 1.0 |
| 125-6-4 | ○ | 026613082394 | 3/8" ID Hose Barb x 1/4" MIP | Rough | 25 | 1.1 |
| 125-6-4X | ▲ | 026613146577 | 3/8" ID Hose Barb x 1/4" MIP | Rough | 25 | 1.1 |
| 125-6-6 | ○ | 026613003825 | 3/8" ID Hose Barb x 3/8" MIP | Rough | 25 | 1.6 |
| 125-6-6X | ▲ | 026613146607 | 3/8" ID Hose Barb x 3/8" MIP | Rough | 25 | 1.5 |
| 125-6-8 | ○ | 026613053738 | 3/8" ID Hose Barb x 1/2" MIP | Rough | 25 | 2.5 |
| 125-6-8X | ▲ | 026613146638 | 3/8" ID Hose Barb x 1/2" MIP | Rough | 25 | 2.1 |
| 125-8-4 | ○ | 026613082523 | 1/2" ID Hose Barb x 1/4" MIP | Rough | 25 | 1.4 |
| 125-8-4X | ▲ | 026613146645 | 1/2" ID Hose Barb x 1/4" MIP | Rough | 25 | 1.4 |
| 125-8-6 | ○ | 026613082448 | 1/2" ID Hose Barb x 3/8" MIP | Rough | 25 | 1.8 |
| 125-8-6X | ▲ | 026613146652 | 1/2" ID Hose Barb x 3/8" MIP | Rough | 25 | 1.8 |
| 125-8-8 | ○ | 026613084688 | 1/2" ID Hose Barb x 1/2" MIP | Rough | 25 | 2.7 |
| 125-8-8X | ▲ | 026613146669 | 1/2" ID Hose Barb x 1/2" MIP | Rough | 25 | 2.3 |
| 125-8-12 | ○ | 026613082509 | 1/2" ID Hose Barb x 3/4" MIP | Rough | 25 | 3.7 |



○ Not for use in potable water applications.

▲ Certified Compliant to NSF/ANSI 372 for potable water applications

| PART NO. | USE | UPC | DESCRIPTION | FINISH | QTY | LBS |
|--|-----|--------------|------------------------------|--------|-----|-----|
| Male Hose Barb Adaptors (cont.) | | | | | | |
| 125-10-6 | ○ | 026613084329 | 5/8" ID Hose Barb x 3/8" MIP | Rough | 25 | 2.2 |
| 125-10-6X | ▲ | 026613146317 | 5/8" ID Hose Barb x 3/8" MIP | Rough | 25 | 2.1 |
| 125-10-8 | ○ | 026613082585 | 5/8" ID Hose Barb x 1/2" MIP | Rough | 25 | 3.0 |
| 125-10-8X | ▲ | 026613146331 | 5/8" ID Hose Barb x 1/2" MIP | Rough | 25 | 2.9 |
| 125-10-12 | ○ | 026613084305 | 5/8" ID Hose Barb x 3/4" MIP | Rough | 25 | 7.0 |
| 125-12-8 | ○ | 026613082622 | 3/4" ID Hose Barb x 1/2" MIP | Rough | 10 | 1.2 |
| 125-12-8X | ▲ | 026613146362 | 3/4" ID Hose Barb x 1/2" MIP | Rough | 10 | 1.2 |
| 125-12-12 | ○ | 026613084350 | 3/4" ID Hose Barb x 3/4" MIP | Rough | 10 | 1.8 |
| 125-12-12X | ▲ | 026613146355 | 3/4" ID Hose Barb x 3/4" MIP | Rough | 10 | 1.9 |
| 125-16-12 | ○ | 026613084398 | 1" ID Hose Barb x 3/4" MIP | Rough | 10 | 3.0 |
| 125-16-12X | ▲ | 026613146386 | 1" ID Hose Barb x 3/4" MIP | Rough | 10 | 2.4 |
| 125-16-16 | ○ | 026613084411 | 1" ID Hose Barb x 1" MIP | Rough | 10 | 3.3 |
| 125-16-16X | ▲ | 026613146393 | 1" ID Hose Barb x 1" MIP | Rough | 10 | 3.3 |



Female Flare Hose Barb Adaptors with Swivel

| | | | | | | |
|----------|---|--------------|---------------------------------------|-------|----|-----|
| 146-4-4 | ○ | 026613085418 | 1/4" ID Hose Barb x 1/4" Female Flare | Rough | 25 | 0.9 |
| 146-4-4X | ▲ | 026613146867 | 1/4" ID Hose Barb x 1/4" Female Flare | Rough | 25 | 0.9 |
| 146-4-6 | ○ | 026613085432 | 1/4" ID Hose Barb x 3/8" Female Flare | Rough | 25 | 1.6 |
| 146-6-6 | ○ | 026613085456 | 3/8" ID Hose Barb x 3/8" Female Flare | Rough | 25 | 1.7 |
| 146-6-6X | ▲ | 026613146881 | 3/8" ID Hose Barb x 3/8" Female Flare | Rough | 25 | 1.7 |
| 146-6-8 | ○ | 026613085470 | 3/8" ID Hose Barb x 1/2" Female Flare | Rough | 25 | 2.6 |
| 146-6-8X | ▲ | 026613146898 | 3/8" ID Hose Barb x 1/2" Female Flare | Rough | 25 | 2.6 |
| 146-8-8 | ○ | 026613085487 | 1/2" ID Hose Barb x 1/2" Female Flare | Rough | 25 | 2.7 |



Female Hose Barb Adaptors with Swivel Ball

| | | | | | | |
|-----------|---|--------------|-------------------------------|-------|----|-----|
| 128-4-4 | ○ | 026613084985 | 1/4" ID Hose Barb x 1/4" NPSM | Rough | 25 | 1.0 |
| 128-4-4X | ▲ | 026613146768 | 1/4" ID Hose Barb x 1/4" NPSM | Rough | 25 | 1.0 |
| 128-6-4 | ○ | 026613085012 | 3/8" ID Hose Barb x 1/4" NPSM | Rough | 25 | 1.4 |
| 128-6-6 | ○ | 026613085036 | 3/8" ID Hose Barb x 3/8" NPSM | Rough | 25 | 1.5 |
| 128-8-6 | ○ | 026613085050 | 1/2" ID Hose Barb x 3/8" NPSM | Rough | 10 | 0.8 |
| 128-8-8 | ○ | 026613085067 | 1/2" ID Hose Barb x 1/2" NPSM | Rough | 25 | 2.0 |
| 128-12-12 | ○ | 026613084978 | 3/4" ID Hose Barb x 3/4" NPSM | Rough | 10 | 1.4 |



Male Ball Joint Adaptors (Use with 128 Series Fittings)

| | | | | | | |
|---------|---|--------------|----------------------|-------|----|-----|
| 127-4-2 | ○ | 026613084916 | 1/4" NPSM x 1/8" MIP | Rough | 25 | 0.9 |
| 127-4-4 | ○ | 026613084930 | 1/4" NPSM x 1/4" MIP | Rough | 25 | 1.0 |
| 127-8-8 | ○ | 026613082608 | 1/2" NPSM x 1/2" MIP | Rough | 25 | 3.0 |



90° Male Hose Barb Elbows

| | | | | | | |
|----------|---|--------------|-------------------------------|-------|----|-----|
| 129-4-2 | ○ | 026613085111 | 1/4" ID Hose Barb x 1/8" MIP | Rough | 25 | 1.3 |
| 129-4-4 | ○ | 026613085135 | 1/4" ID Hose Barb x 1/4" MIP | Rough | 25 | 1.4 |
| 129-4-4X | ▲ | 026613146775 | 1/4" ID Hose Barb x 1/4" MIP | Rough | 25 | 1.4 |
| 129-5-2 | ○ | 026613085166 | 5/16" ID Hose Barb x 1/8" MIP | Rough | 25 | 1.3 |
| 129-5-4 | ○ | 026613085180 | 5/16" ID Hose Barb x 1/4" MIP | Rough | 25 | 1.4 |
| 129-5-6 | ○ | 026613085197 | 5/16" ID Hose Barb x 3/8" MIP | Rough | 25 | 1.7 |
| 129-6-2 | ○ | 026613085203 | 3/8" ID Hose Barb x 1/8" MIP | Rough | 25 | 1.3 |



○ Not for use in potable water applications.

▲ Certified Compliant to NSF/ANSI 372 for potable water applications

| PART NO. | USE | UPC | DESCRIPTION | FINISH | QTY | LBS |
|--|-----|--------------|------------------------------|--------|-----|-----|
| 90° Male Hose Barb Elbows (cont.) | | | | | | |
| 129-6-4 | ○ | 026613082424 | 3/8" ID Hose Barb x 1/4" MIP | Rough | 25 | 1.4 |
| 129-6-6 | ○ | 026613082592 | 3/8" ID Hose Barb x 3/8" MIP | Rough | 25 | 1.8 |
| 129-6-6X | ▲ | 026613146829 | 3/8" ID Hose Barb x 3/8" MIP | Rough | 25 | 1.8 |
| 129-8-4 | ○ | 026613085241 | 1/2" ID Hose Barb x 1/4" MIP | Rough | 25 | 2.1 |
| 129-8-6 | ○ | 026613082561 | 1/2" ID Hose Barb x 3/8" MIP | Rough | 25 | 2.4 |
| 129-8-8 | ○ | 026613082332 | 1/2" ID Hose Barb x 1/2" MIP | Rough | 25 | 2.9 |
| 129-10-6 | ○ | 026613085081 | 5/8" ID Hose Barb x 3/8" MIP | Rough | 25 | 2.6 |
| 129-10-8 | ○ | 026613085104 | 5/8" ID Hose Barb x 1/2" MIP | Rough | 25 | 3.3 |



| | | | | | | |
|----------------------------------|---|--------------|------------------------------|-------|----|-----|
| 45° Male Hose Barb Elbows | | | | | | |
| 139-4-2 | ○ | 026613085289 | 1/4" ID Hose Barb x 1/8" MIP | Rough | 25 | 0.8 |
| 139-6-4 | ○ | 026613085357 | 3/8" ID Hose Barb x 1/4" MIP | Rough | 25 | 1.4 |
| 139-6-6 | ○ | 026613085371 | 3/8" ID Hose Barb x 3/8" MIP | Rough | 25 | 1.9 |
| 139-8-4 | ○ | 026613085388 | 1/2" ID Hose Barb x 1/4" MIP | Rough | 25 | 1.7 |
| 139-8-6 | ○ | 026613085401 | 1/2" ID Hose Barb x 3/8" MIP | Rough | 25 | 2.0 |



| | | | | | | |
|-----------------------|---|--------------|-------------------------------|-------|----|-----|
| Hose Barb Tees | | | | | | |
| HBT2-6 | ○ | 026613082547 | 3/8" ID Hose Barb, All 3 Ends | Rough | 25 | 1.5 |
| HBT2-6X | ▲ | 026613149646 | 3/8" ID Hose Barb, All 3 Ends | Rough | 25 | 1.5 |



| | | | | | | |
|--|---|--------------|--|-------|----|-----|
| Male Hose Barb Tees (MIP on Branch) | | | | | | |
| HBT1-664 | ○ | 026613087443 | 3/8" ID Hose Barb x 3/8" ID Hose Barb x 1/4" MIP | Rough | 25 | 1.7 |



○ Not for use in potable water applications.

▲ Certified Compliant to NSF/ANSI 372 for potable water applications

Brass Garden Hose Fittings

Product Applications

- For use with residential and commercial-grade garden hose.

Product Advantages

- Connectors, unions, nuts, elbows and tees machined from brass rod.
- Backed by BrassCraft Mfg.'s 65 plus year history and reputation for quality and service.

How to Order

- Order fittings by part number and product name.

Special Orders

- Special fitting configurations and sizes may be ordered. Please furnish a print or sketch of your needs with your inquiry.
- Fittings are available in bulk quantities on request. Contact your sales representative for details.



Assembly Instructions

- All female hose connections require a rubber washer inserted prior to installation.



| PART NO. | USE | UPC | DESCRIPTION | FINISH | QTY | LBS |
|--------------------------------------|-----|--------------|---|--------|-----|------|
| Garden Hose Dishwasher Elbows | | | | | | |
| HES-6-12 | ○ | 026613139975 | 3/4" Female Hose Thread x 3/8" OD Comp, Hose Washer Included | Rough | 50 | 7.4 |
| HES-6-12X | ▲ | 026613160184 | 3/4" Female Hose Thread x 3/8" OD Comp, Hose Washer Included | Rough | 50 | 7.0 |
| HES-6-12WNM | ○ | 026613141121 | 3/4" Female Hose Thread x 3/8" OD Tube, Comp Nut & Sleeve, Hose Washer Included | Rough | 50 | 7.8 |
| HES-6-12WNMX | ▲ | 026613160214 | 3/4" Female Hose Thread x 3/8" OD Tube, Comp Nut & Sleeve, Hose Washer Included | Rough | 50 | 10.0 |
| HES-8-12 | ○ | 026613141534 | 3/4" Female Hose Thread x 1/2" OD Tube, Hose Washer Included | Rough | 25 | 3.2 |
| HES-8-12X | ▲ | 026613160221 | 3/4" Female Hose Thread x 1/2" OD Tube, Hose Washer Included | Rough | 25 | 3.3 |



Garden Hose Caps with Washer

| | | | | | | |
|-------|---|--------------|-------------------------|-------|----|-----|
| HC-1 | ○ | 026613079752 | 3/4" Female Hose Thread | Rough | 25 | 1.4 |
| HC-1X | ▲ | 026613136141 | 3/4" Female Hose Thread | Rough | 25 | 1.4 |



Garden Hose Caps with 8" Chain & Washer

| | | | | | | |
|------|---|--------------|-------------------------|-------|----|-----|
| HC-8 | ○ | 026613079769 | 3/4" Female Hose Thread | Rough | 25 | 1.6 |
|------|---|--------------|-------------------------|-------|----|-----|



Garden Hose Round Nuts

| | | | | | | |
|-------|---|--------------|-------------------------|-------|----|-----|
| HNR-1 | ● | 026613079820 | 3/4" Female Hose Thread | Rough | 10 | 0.5 |
|-------|---|--------------|-------------------------|-------|----|-----|



Female Swivel Hose Unions

| | | | | | | |
|---------|---|--------------|------------------------------------|-------|----|-----|
| HUS-12 | ○ | 026613080024 | 3/4" Female Hose Thread, Both Ends | Rough | 25 | 2.4 |
| HUS-12X | ▲ | 026613137711 | 3/4" Female Hose Thread, Both Ends | Rough | 25 | 2.6 |

○ Not for use in potable water applications.

● Can be used in potable water applications.

▲ Certified Compliant to NSF/ANSI 372 for potable water applications

| PART NO. | USE | UPC | DESCRIPTION | FINISH | QTY | LBS |
|--|-----|--------------|---|--------|-----|-----|
| Male Hose Unions | | | | | | |
| HU22-12MH | ○ | 026613080000 | 3/4" Male Hose Thread, Both Ends | Rough | 25 | 3.2 |
| HU22-12MHX | ▲ | 026613150000 | 3/4" Male Hose Thread, Both Ends | Rough | 25 | 3.3 |
| Male Hose Adaptors (FIP End) | | | | | | |
| HU12-8-12 | ○ | 026613079868 | 3/4" Male Hose Thread x 1/2" FIP | Rough | 25 | 2.9 |
| HU12-8-12X | ▲ | 026613149943 | 3/4" Male Hose Thread x 1/2" FIP | Rough | 25 | 2.9 |
| HU12-12-12 | ○ | 026613079851 | 3/4" Male Hose Thread x 3/4" FIP | Rough | 25 | 2.2 |
| HU12-12-12X | ▲ | 026613149837 | 3/4" Male Hose Thread x 3/4" FIP | Rough | 25 | 2.5 |
| Male Hose Adaptors (MIP End) | | | | | | |
| HU22-8-12 | ○ | 026613080017 | 3/4" Male Hose Thread x 1/2" MIP | Rough | 25 | 3.2 |
| HU22-8-12X | ▲ | 026613135502 | 3/4" Male Hose Thread x 1/2" MIP | Rough | 25 | 3.2 |
| HU22-12-12 | ○ | 026613079981 | 3/4" Male Hose Thread x 3/4" MIP | Rough | 25 | 3.4 |
| HU22-12-12X | ▲ | 026613135489 | 3/4" Male Hose Thread x 3/4" MIP | Rough | 25 | 3.4 |
| HU22-12-12TP | ○ | 026613079998 | 3/4" Male Hose Thread x 3/4" MIP (Tapped 1/2" FIP) | Rough | 25 | 3.9 |
| HU22-12-12TPX | ▲ | 026613149998 | 3/4" Male Hose Thread x 3/4" MIP (Tapped 1/2" FIP) | Rough | 25 | 3.9 |
| Female Hose Adaptors (FIP End) | | | | | | |
| HU11-8-12 | ○ | 026613079844 | 3/4" Female Hose Thread x 1/2" FIP | Rough | 25 | 3.0 |
| HU11-8-12X | ▲ | 026613149820 | 3/4" Female Hose Thread x 1/2" FIP | Rough | 25 | 3.4 |
| HU11-12-12 | ○ | 026613079837 | 3/4" Female Hose Thread x 3/4" FIP | Rough | 25 | 2.2 |
| HU11-12-12X | ▲ | 026613149813 | 3/4" Female Hose Thread x 3/4" FIP | Rough | 25 | 2.4 |
| Female Hose Adaptors (MIP End) | | | | | | |
| HU21-8-12 | ○ | 026613079974 | 3/4" Female Hose Thread x 1/2" MIP | Rough | 25 | 2.6 |
| HU21-8-12X | ▲ | 026613149981 | 3/4" Female Hose Thread x 1/2" MIP | Rough | 25 | 2.6 |
| HU21-12-12 | ○ | 026613079967 | 3/4" Female Hose Thread x 3/4" MIP | Rough | 25 | 2.9 |
| HU21-12-12X | ▲ | 026613149967 | 3/4" Female Hose Thread x 3/4" MIP | Rough | 25 | 2.9 |
| Female Swivel Hose Adaptors (FIP End) | | | | | | |
| HUS11-8-12 | ○ | 026613080048 | 3/4" Female Hose Thread x 1/2" FIP | Rough | 25 | 2.2 |
| HUS11-8-12X | ▲ | 026613137797 | 3/4" Female Hose Thread x 1/2" FIP | Rough | 25 | 2.4 |
| HUS11-12-12 | ○ | 026613080031 | 3/4" Female Hose Thread x 3/4" FIP | Rough | 25 | 3.0 |
| HUS11-12-12X | ▲ | 026613137698 | 3/4" Female Hose Thread x 3/4" FIP | Rough | 25 | 3.1 |
| Female Swivel Hose Adaptors (MIP End) | | | | | | |
| 62H-4-12 | ○ | 026613079400 | 3/4" Female Hose Thread x 1/4" MIP | Rough | 25 | 3.1 |
| 62H-4-12X | ▲ | 026613147901 | 3/4" Female Hose Thread x 1/4" MIP | Rough | 25 | 3.1 |
| Female Hose Adaptors (Flare End) | | | | | | |
| HFU21-6-12 | ○ | 026613079783 | 3/4" Female Hose Thread x 3/8" OD Tube | Rough | 25 | 2.7 |



○ Not for use in potable water applications.

▲ Certified Compliant to NSF/ANSI 372 for potable water applications

| PART NO. | USE | UPC | DESCRIPTION | FINISH | QTY | LBS |
|----------|-----|-----|-------------|--------|-----|-----|
|----------|-----|-----|-------------|--------|-----|-----|

Male Hose Adaptors (Flare End)



| | | | | | | |
|------------|---|--------------|--------------------------------------|-------|----|-----|
| HFU22-6-12 | ○ | 026613079806 | 3/4" Male Hose Thread x 3/8" OD Tube | Rough | 25 | 3.3 |
| HFU22-8-12 | ○ | 026613079813 | 3/4" Male Hose Thread x 1/2" OD Tube | Rough | 25 | 4.1 |

Female Hose Swivel Barbed Adaptors with Round Nut & Washer



| | | | | | | |
|--------------|---|--------------|---|-------|----|-----|
| HU126-8-12 | ○ | 026613079943 | 3/4" Female Hose Thread x 1/2" ID Hose Barb | Rough | 10 | 1.1 |
| HU126-8-12X | ▲ | 026613149929 | 3/4" Female Hose Thread x 1/2" ID Hose Barb | Rough | 10 | 0.9 |
| HU126-10-12 | ○ | 026613079905 | 3/4" Female Hose Thread x 5/8" ID Hose Barb | Rough | 10 | 1.0 |
| HU126-10-12X | ▲ | 026613149899 | 3/4" Female Hose Thread x 5/8" ID Hose Barb | Rough | 10 | 1.0 |
| HU126-12-12 | ○ | 026613079929 | 3/4" Female Hose Thread x 3/4" ID Hose Barb | Rough | 10 | 1.3 |
| HU126-12-12X | ▲ | 026613149912 | 3/4" Female Hose Thread x 3/4" ID Hose Barb | Rough | 10 | 1.1 |

Female Hose Swivel Barbed Adaptors with Hex Nut & Washer



| | | | | | | |
|---------------|---|--------------|---|-------|----|-----|
| HU126-8-12H | ○ | 026613079950 | 3/4" Female Hose Thread x 1/2" ID Hose Barb | Rough | 10 | 1.2 |
| HU126-8-12HX | ▲ | 026613149936 | 3/4" Female Hose Thread x 1/2" ID Hose Barb | Rough | 10 | 1.1 |
| HU126-10-12H | ○ | 026613079912 | 3/4" Female Hose Thread x 5/8" ID Hose Barb | Rough | 10 | 1.1 |
| HU126-10-12HX | ▲ | 026613149905 | 3/4" Female Hose Thread x 5/8" ID Hose Barb | Rough | 10 | 1.1 |
| HU126-12-12H | ○ | 026613079936 | 3/4" Female Hose Thread x 3/4" ID Hose Barb | Rough | 10 | 1.4 |

Male Hose Barbed Adaptors



| | | | | | | |
|--------------|---|--------------|---|-------|----|-----|
| HU125-8-12 | ○ | 026613079899 | 3/4" Male Hose Thread x 1/2" ID Hose Barb | Rough | 10 | 1.3 |
| HU125-8-12X | ▲ | 026613149875 | 3/4" Male Hose Thread x 1/2" ID Hose Barb | Rough | 10 | 1.4 |
| HU125-10-12 | ○ | 026613079875 | 3/4" Male Hose Thread x 5/8" ID Hose Barb | Rough | 10 | 1.5 |
| HU125-10-12X | ▲ | 026613149851 | 3/4" Male Hose Thread x 5/8" ID Hose Barb | Rough | 10 | 1.4 |
| HU125-12-12 | ○ | 026613079882 | 3/4" Male Hose Thread x 3/4" ID Hose Barb | Rough | 10 | 1.5 |
| HU125-12-12X | ▲ | 026613149868 | 3/4" Male Hose Thread x 3/4" ID Hose Barb | Rough | 10 | 1.5 |

Y Hose Fittings



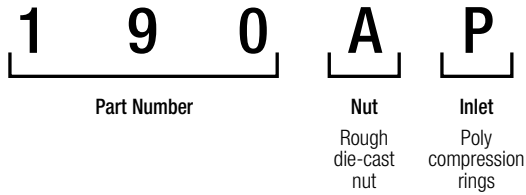
| | | | | | | |
|-----|---|--------------|---|-------|----|-----|
| Y-9 | ○ | 026613080055 | 3/4" Female Hose Thread x 3/4" Male Hose Thread x 3/4" Male Hose Thread | Rough | 25 | 7.2 |
|-----|---|--------------|---|-------|----|-----|

○ Not for use in potable water applications.

▲ Certified Compliant to NSF/ANSI 372 for potable water applications

Part Numbering System

Example:



Part Number

Basic part number.
1-3 digits.

Nut

- A Rough die-cast nut
- B Chrome die-cast nut
- C Rough brass nut
- D Chrome brass nut

Option

- P Poly compression rings
- L Lead compression rings
- R With rubber washer (P/N 90BR, 90DR, 94BR, 94DR, 96BR, 96DR, 98DR Only)

Waste Connectors Machined from Extruded Solid Brass

Entire connector body is produced from solid brass. Eliminates all potential pinholes and porosity.

- **Uniform Wall Thickness** – No variations in wall thickness. Close dimensional tolerances assured.
- **Better Threads** – Uniform cleaner threads ensure positive threaded connections. Less chance of cross threading.
- **Cleaner, Smoother Water Ways** – Uniform smooth internal surfaces allow full unobstructed flow through connector.
- **Smooth Finished Appearance...Easier to Assemble** – No burrs or rough surfaces to catch or hang up during assembly.

| PART NO. | USE | UPC | DESCRIPTION | FINISH | QTY | LBS |
|------------------------------|--------------|-----|-----------------------------|------------------|-----|-----|
| Compression Slip Nuts | | | | | | |
| 90A | 026613056258 | | 1-1/4" OD Tube x 1-1/4" FIP | Die Cast, Rough | 25 | 1.1 |
| 90B | 026613056272 | | 1-1/4" OD Tube x 1-1/4" FIP | Die Cast, Chrome | 25 | 1.4 |
| 96A | 026613056449 | | 1-1/2" OD Tube x 1-1/2" FIP | Die Cast, Rough | 25 | 1.3 |
| 96B | 026613056470 | | 1-1/2" OD Tube x 1-1/2" FIP | Die Cast, Chrome | 25 | 1.5 |
| 90C | 026613056296 | | 1-1/4" OD Tube x 1-1/4" FIP | Brass, Rough | 25 | 1.7 |
| 90D | 026613056302 | | 1-1/4" OD Tube x 1-1/4" FIP | Brass, Chrome | 25 | 1.7 |
| 94D | 026613056418 | | 1-3/8" OD Tube x 1-1/2" FIP | Brass, Chrome | 25 | 2.5 |
| 96C | 026613056494 | | 1-1/2" OD Tube x 1-1/2" FIP | Brass, Rough | 25 | 1.9 |
| 96D | 026613056517 | | 1-1/2" OD Tube x 1-1/2" FIP | Brass, Chrome | 25 | 1.9 |
| 97B | 026613056586 | | 1-1/4" OD Tube x 1-1/2" FIP | Die Cast, Chrome | 25 | 1.6 |





| PART NO. | UPC | DESCRIPTION | FINISH | QTY | LBS |
|---|--------------|-----------------------------|------------------|-----|-----|
| Compression Slip Nuts & Rubber Washers | | | | | |
| 90BR | 026613056289 | 1-1/4" OD Tube x 1-1/4" FIP | Die Cast, Chrome | 25 | 1.5 |
| 96BR | 026613056487 | 1-1/2" OD Tube x 1-1/2" FIP | Die Cast, Chrome | 25 | 1.6 |



Compression Rings

| | | | | | |
|-----|--------------|----------------|--------------|----|-----|
| 90 | 026613056241 | 1-1/4" OD Tube | Brass | 25 | 0.4 |
| 96 | 026613056432 | 1-1/2" OD Tube | Brass | 25 | 0.7 |
| 90P | 026613056333 | 1-1/4" OD Tube | Polyethylene | 25 | 0.1 |
| 96P | 026613056548 | 1-1/2" OD Tube | Polyethylene | 25 | 0.1 |
| 90R | 026613056340 | 1-1/4" OD Tube | Rubber | 25 | 0.1 |
| 96R | 026613056555 | 1-1/2" OD Tube | Rubber | 25 | 0.1 |
| 96L | 026613056531 | 1-1/2" OD Tube | Lead | 25 | 1.5 |



Compression Female Waste Connectors

| | | | | | |
|------|--------------|-----------------------------|------------------|---|-----|
| 191B | 026613055671 | 1-1/4" OD Tube x 1-1/4" FIP | Die Cast, Chrome | 5 | 1.5 |
| 191C | 026613055695 | 1-1/4" OD Tube x 1-1/4" FIP | Brass, Rough | 5 | 1.6 |
| 193A | 026613055770 | 1-1/4" OD Tube x 1-1/2" FIP | Die Cast, Rough | 5 | 1.7 |
| 193B | 026613002446 | 1-1/4" OD Tube x 1-1/2" FIP | Die Cast, Chrome | 5 | 1.7 |
| 193C | 026613055794 | 1-1/4" OD Tube x 1-1/2" FIP | Rough Brass | 5 | 1.8 |
| 197A | 026613055909 | 1-1/2" OD Tube x 1-1/2" FIP | Die Cast, Rough | 5 | 1.7 |
| 197B | 026613002453 | 1-1/2" OD Tube x 1-1/2" FIP | Die Cast, Chrome | 5 | 1.8 |
| 197C | 026613055947 | 1-1/2" OD Tube x 1-1/2" FIP | Rough Brass | 5 | 1.9 |
| 197D | 026613055978 | 1-1/2" OD Tube x 1-1/2" FIP | Chrome | 5 | 1.9 |



Compression Male Waste Connectors (Female Sweat Tap)

| | | | | | |
|------|--------------|--|------------------|---|-----|
| 190A | 026613055596 | 1-1/4" OD Tube x 1-1/4" MIP (Tapped 1-3/8" OD Female Sweat) | Die Cast, Rough | 5 | 1.4 |
| 190B | 026613055619 | 1-1/4" OD Tube x 1-1/4" MIP (Tapped 1-3/8" OD Female Sweat) | Die Cast, Chrome | 5 | 1.4 |
| 190C | 026613055633 | 1-1/4" OD Tube x 1-1/4" MIP (Tapped 1-3/8" OD Female Sweat) | Rough Brass | 5 | 1.5 |
| 192A | 026613055718 | 1-1/4" OD Tube x 1-1/2" MIP (Tapped 1-5/8" OD Female Sweat) | Die Cast, Rough | 5 | 1.5 |
| 192B | 026613002422 | 1-1/4" OD Tube x 1-1/2" MIP (Tapped 1-5/8" OD Female Sweat) | Die Cast, Chrome | 5 | 1.6 |
| 192C | 026613055749 | 1-1/4" OD Tube x 1-1/2" MIP (Tapped 1-5/8" OD Female Sweat) | Rough Brass | 5 | 1.6 |



| PART NO. | UPC | DESCRIPTION | FINISH | QTY | LBS |
|----------|-----|-------------|--------|-----|-----|
|----------|-----|-------------|--------|-----|-----|

Compression Male Waste Connectors (Female Sweat Tap) (cont.)

| | | | | | |
|------|--------------|--|---------------------|---|-----|
| 196A | 026613055824 | 1-1/2" OD Tube x 1-1/2" MIP (Tapped 1-5/8" OD Female Sweat) | Die Cast, Rough | 5 | 1.6 |
| 196B | 026613002439 | 1-1/2" OD Tube x 1-1/2" MIP (Tapped 1-5/8" OD Female Sweat) | Die Cast, Chrome | 5 | 1.6 |
| 196C | 026613055879 | 1-1/2" OD Tube x 1-1/2" MIP (Tapped 1-5/8" OD Female Sweat) | Brass, Rough | 5 | 1.7 |



Compression Female Sweat Waste Connectors

| | | | | | |
|------|--------------|---|---------------------|---|-----|
| 200A | 026613056081 | 1-1/4" OD Tube x 1-1/4" ID Female Sweat | Die Cast, Rough | 5 | 1.4 |
| 200B | 026613056098 | 1-1/4" OD Tube x 1-1/4" ID Female Sweat | Die Cast, Chrome | 5 | 1.5 |
| 200C | 026613056104 | 1-1/4" OD Tube x 1-1/4" ID Female Sweat | Brass, Rough | 5 | 1.7 |
| 198A | 026613055992 | 1-1/4" OD Tube x 1-1/2" ID Female Sweat | Die Cast, Rough | 5 | 1.4 |
| 198B | 026613056005 | 1-1/4" OD Tube x 1-1/2" ID Female Sweat | Die Cast, Chrome | 5 | 1.5 |
| 198D | 026613056029 | 1-1/4" OD Tube x 1-1/2" ID Female Sweat | Brass, Chrome | 5 | 1.6 |
| 199A | 026613056036 | 1-1/2" OD Tube x 1-1/2" ID Female Sweat | Die Cast, Rough | 5 | 1.7 |
| 199B | 026613056043 | 1-1/2" OD Tube x 1-1/2" ID Female Sweat | Die Cast, Chrome | 5 | 1.8 |



Compression Male Sweat Waste Connectors

| | | | | | |
|------|--------------|---------------------------------------|--------------------|---|-----|
| 202A | 026613056128 | 1-1/4" OD Tube x 1-1/4" OD Male Sweat | Die Cast, Rough | 5 | 1.4 |
| 202D | 026613056159 | 1-1/4" OD Tube x 1-1/4" OD Male Sweat | Brass, Chrome | 5 | 1.6 |
| 203A | 026613056166 | 1-1/2" OD Tube x 1-1/2" OD Male Sweat | Die Cast, Rough | 5 | 1.7 |
| 204C | 026613056227 | 1-1/4" OD Tube x 1-1/2" OD Male Sweat | Brass, Rough | 5 | 1.5 |



Brass Drain & Shut-Off Cocks

Product Applications

- For use with low pressure air, water, gas and fluids (lubricant may not be compatible with some fluids).
- Backed by BrassCraft Mfg.'s 65 plus year history and reputation for quality and service.

How to Order

- Order valves and cocks by part number and product name.

Special Orders

- Special fitting configurations and sizes may be ordered. Please furnish a print or sketch of your needs with your inquiry.
- Fittings are available in bulk quantities on request. Contact your sales representative for details.



| PART NO. | UPC | DESCRIPTION | FINISH | QTY | LBS |
|----------------------------|----------------|--------------------------|--------|-----|-----|
| 45° Oil Tank Valves | | | | | |
| OVF45-6-8 | ○ 026613078670 | 3/8" OD Flare x 1/2" MIP | Rough | 10 | 2.7 |
| OVF45-6-12 | ○ 026613078663 | 3/8" OD Flare x 3/4" MIP | Rough | 10 | 2.9 |



Drain Cocks

| | | | | | |
|--------|----------------|----------|-------|----|-----|
| V601-2 | ○ 026613078762 | 1/8" MIP | Rough | 25 | 3.8 |
| V601-4 | ○ 026613078779 | 1/4" MIP | Rough | 25 | 3.7 |
| V601-6 | ○ 026613078786 | 3/8" MIP | Rough | 25 | 7.8 |



Drain Cocks (External Seal)

| | | | | | |
|---------|----------------|----------|-------|----|-----|
| DC604-2 | ○ 026613078236 | 1/8" MIP | Rough | 25 | 0.8 |
| DC604-4 | ○ 026613078243 | 1/4" MIP | Rough | 25 | 1.0 |
| DC604-6 | ○ 026613078250 | 3/8" MIP | Rough | 25 | .01 |



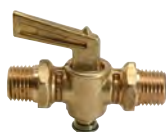
Female Drain Cocks

| | | | | | |
|---------|----------------|---------------------|-------|----|------|
| FF209-2 | ○ 026613078267 | 1/8" FIP, Both Ends | Rough | 25 | 5.8 |
| FF209-4 | ○ 026613078274 | 1/4" FIP, Both Ends | Rough | 25 | 5.0 |
| FF209-6 | ○ 026613078281 | 3/8" FIP, Both Ends | Rough | 25 | 12.0 |



Female Male Drain Cocks

| | | | | | |
|--------|----------------|---------------------|-------|----|------|
| V402-2 | ○ 026613078724 | 1/8" FIP x 1/8" MIP | Rough | 10 | 1.3 |
| V402-4 | ○ 026613078731 | 1/4" FIP x 1/4" MIP | Rough | 25 | 4.7 |
| V402-6 | ○ 026613078755 | 3/8" FIP x 3/8" MIP | Rough | 25 | 10.5 |



Male Drain Cocks

| | | | | | |
|--------|----------------|---------------------|-------|----|-----|
| V401-2 | ○ 026613078694 | 1/8" MIP, Both Ends | Rough | 25 | 2.5 |
| V401-4 | ○ 026613078700 | 1/4" MIP, Both Ends | Rough | 25 | 5.0 |

○ Not for use in potable water applications.

Brass Needle & Humidifier Valves

Product Applications

- For use on instrumentation, hydraulic and pneumatic systems.
- Designed for automotive or industrial use. Not intended for natural gas, LPG, nuclear or aircraft applications.

Product Advantages

- BrassCraft® Needle Valves have metal-to-metal seats with fine thread adjustment.
- Provide positive sealing and flow adjustment up to the capacity of the valve.
- Backed by BrassCraft Mfg.'s 65 plus year history and reputation for quality and service.

How to Order

| PART NO. | USE | UPC | DESCRIPTION | FINISH | QTY | LBS |
|----------|-----|-----|-------------|--------|-----|-----|
|----------|-----|-----|-------------|--------|-----|-----|

Cooler Adaptors

| | | | | | | |
|-------|---|--------------|---|-------|----|-----|
| CA-44 | ○ | 026613078212 | 1/2" FIP x 1/2" MIP w/ 1/8" FIP Side Outlet | Rough | 25 | 3.1 |
| CA-45 | ○ | 026613078229 | 3/4" FIP x 3/4" MIP w/ 1/8" FIP Side Outlet | Rough | 25 | 5.5 |

Cooler Drains

| | | | | | | |
|------|---|--------------|----------------------------------|-------|----|-----|
| CD-1 | ○ | 026613051284 | 3/4" Male Hose Thread x 1/2" FIP | Rough | 25 | 2.8 |
|------|---|--------------|----------------------------------|-------|----|-----|

Humidifier Valves - Ice Maker Kit

| | | | | | | |
|---------------|---|--------------|---|-------|-----|------|
| NV104-EE1 K1 | ○ | 026613078519 | 3/8" OD Tube x 3/8" OD Tube With 1/4" OD Tube | Rough | 100 | 17.6 |
| NV104-EE1X K1 | ▲ | 026613153223 | 3/8" OD Tube x 3/8" OD Tube With 1/4" OD Tube | Rough | 100 | 18.5 |

Compression Needle Valves

| | | | | | | |
|-----------|---|--------------|--|-------|-----|------|
| NV105-3 | ○ | 026613078526 | 3/16" OD Tube x 3/16" OD Tube | Rough | 25 | 2.1 |
| NV105-4 | ○ | 026613078533 | 1/4" OD Tube x 1/4" OD Tube | Rough | 25 | 2.2 |
| NV105-4X | ▲ | 026613137490 | 1/4" OD Tube x 1/4" OD Tube | Rough | 25 | 2.2 |
| NV105-6 | ○ | 026613078557 | 3/8" OD Tube x 3/8" OD Tube | Rough | 25 | 3.3 |
| NV105-6X | ▲ | 026613137483 | 3/8" OD Tube x 3/8" OD Tube | Rough | 25 | 3.1 |
| NEV-NCV | ○ | 026613078304 | For 3/8" to 1" OD Tube w/ 1/4" OD Tube - Incl. Saddle Clamp, (2) Nuts, Bolts & Washers | Rough | 100 | 24.2 |
| NV106-3-2 | ○ | 026613078564 | 3/16" OD Tube x 1/8" MIP | Rough | 25 | 1.8 |
| NV106-4-2 | ○ | 026613078571 | 1/4" OD Tube x 1/8" MIP | Rough | 25 | 2.0 |
| NV106-4-4 | ○ | 026613078588 | 1/4" OD Tube x 1/4" MIP | Rough | 25 | 2.4 |
| NV106-6-4 | ○ | 026613078618 | 3/8" OD Tube x 1/4" MIP | Rough | 10 | 1.8 |

Special Orders

- Special fitting configurations and sizes may be ordered. Please furnish a print or sketch of your needs with your inquiry
- Fittings are available in bulk quantities on request. Contact your sales representative for details.

Assembly Instructions

- Install with pressure against seat.
- Inspection of straight valve shows one opening is higher than the others.
- Pressure should always be directed against the seat in angle valves,



○ Not for use in potable water applications.

▲ Certified Compliant to NSF/ANSI 372 for potable water applications

| PART NO. | USE | UPC | DESCRIPTION | FINISH | QTY | LBS |
|--|-----|--------------|---|--------|-----|-----|
| Compression Needle Valves (cont.) | | | | | | |
| NV104-4-2 | ○ | 026613078465 | 1/4" OD Tube x 1/8" MIP, Angle | Rough | 25 | 1.7 |
| NV104-4-2X | ▲ | 026613150222 | 1/4" OD Tube x 1/8" MIP, Angle | Rough | 25 | 1.7 |
| NV104-4-4 | ○ | 026613078472 | 1/4" OD Tube x 1/4" MIP, Angle | Rough | 25 | 3.3 |
| NV104-5-2 | ○ | 026613078489 | 5/16" OD Tube x 1/8" MIP, Angle | Rough | 25 | 2.4 |
| NV104-5-2X | ▲ | 026613150239 | 5/16" OD Tube x 1/8" MIP, Angle | Rough | 25 | 2.5 |
| NV104-6-4 | ○ | 026613078502 | 3/8" OD Tube x 1/4" MIP, Angle | Rough | 10 | 1.5 |
| NV106-4-2X | ▲ | 026613150277 | 1/4" OD Tube x 1/8" MIP, Straight | Rough | 25 | 1.8 |
| NEV3-C1 | ○ | 026613078328 | 1/4" OD Tube x 1/8" MIP With Extension, Angle | Rough | 10 | 0.7 |
| NEV3-C1X | ▲ | 026613150215 | 1/4" OD Tube x 1/8" MIP With Extension, Angle | Rough | 10 | 0.7 |



Flare Needle Valves

| | | | | | | |
|-----------|---|--------------|---------------------------------|-------|----|-----|
| NV102-4 | ○ | 026613078380 | 1/4" OD Flare x 1/4" OD Flare | Rough | 25 | 2.0 |
| NV102-6 | ○ | 026613078397 | 3/8" OD Flare x 3/8" OD Flare | Rough | 25 | 4.7 |
| NV103-4-2 | ○ | 026613078403 | 1/4" OD Flare x 1/8" MIP | Rough | 25 | 1.8 |
| NV101-4-2 | ○ | 026613078335 | 1/4" OD Flare x 1/8" MIP, Angle | Rough | 25 | 1.8 |
| NV108-4 | ○ | 026613078656 | 1/4" FIP x 1/4" MIP | Rough | 25 | 4.5 |



Self-Piercing Needle Valve Kits

| | | | | | | |
|-----------|---|--------------|---|-------|----|------|
| PNEV-NCV | ○ | 026613078687 | For 3/8" to 1" OD Tube w/1/4" OD Comp , Inc. Saddle Clamp With Self-Locking Nuts, Brass Sleeve & Insert, & Delrin Sleeve | Rough | 75 | 17.9 |
| PNEV-NCVX | ▲ | 026613137476 | For 3/8" to 1" OD Tube w/1/4" OD Comp , Inc. Saddle Clamp With Self-Locking Nuts, Brass Sleeve & Insert, & Delrin Sleeve | Rough | 75 | 18.0 |
| BC96X | ▲ | 026613148977 | For 3/8" to 1" OD Tube w/1/4" OD Comp Incl. Saddle Clamp With Self-Locking Nuts, 1/4" OD x 25' Polyethylene Tube, Brass Sleeve & Inserts & Delrin Sleeve, & 1/4" OD Union | Rough | 5 | 4.0 |
| BC97X | ▲ | 026613148984 | For 3/8" to 1" OD Tube w/1/4" OD Comp Incl. Saddle Clamp With Self-Locking Nuts, 1/4" OD x 25' Copper Tube, Brass Sleeve & 1/4" OD Union | Rough | 5 | 10.3 |



○ Not for use in potable water applications.

▲ Certified Compliant to NSF/ANSI 372 for potable water applications

| PART NO. | UPC | DESCRIPTION | FINISH | QTY | LBS |
|--|-----|------------------------|--------|-----|------|
| Flare & Compression Fitting Cabinet | | | | | |
| DC800 | | Brass Fittings Cabinet | | 1 | 17.5 |



| | | | | | |
|---|--|--|--|----|-----|
| Flare & Compression Fitting Labels | | | | | |
| BCFBL1287 | | Fitting Cabinet Labels 11 Sheets Per Set | | 11 | 0.1 |



FLARE FITTINGS

Use: For use with fuel, oil, liquefied petroleum (LP), and natural gas lines. Designed for use with aluminum, copper, brass, and welded steel tubing that can be flared.

Design Features:

- **Recommended for higher pressures** than those covered by compression fittings
- **Resist** mechanical pull out
- **Available in** a broad range of sizes
- **100% No Lead** product available

Operating Specifications:

Temperature: -65° - 250° F at maximum operating pressures

Working Pressure: See chart below

Vibration: Good vibration resistance*

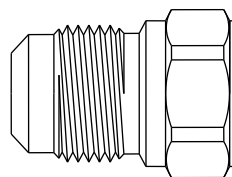
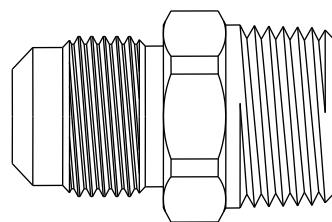
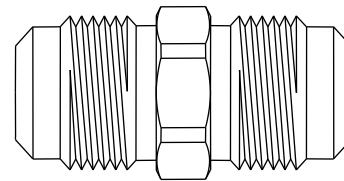
*Recommend long flare nuts when greater vibration resistance is required

Standard Product**FITTING MATERIAL SPECIFICATIONS**

| | |
|---------------------|-------|
| Fitting Body | Brass |
|---------------------|-------|

No-Lead Product**FITTING MATERIAL SPECIFICATIONS**

| | |
|---------------------|---------------|
| Fitting Body | No-Lead brass |
|---------------------|---------------|

**MAXIMUM WORKING PRESSURES**

| Service Conditions | Tube OD | Type of Tubing and Wall Thickness (Inches) | | | | | | | | | |
|--------------------|---------|--|-------|-------|-------|-------|-------------------------------|-------|-------|-------|-------|
| | | Copper – Dead Soft (Seamless) | | | | | Copper – Half Hard (Seamless) | | | | |
| | | .030" | .032" | .035" | .049" | .065" | .032" | .035" | .042" | .049" | .065" |
| Safety Factor 4-1 | 1/8 | 4300 | | 5000 | | | 5000 | | | | |
| | 3/16 | 2850 | | 3300 | | | 3400 | | | | |
| | 1/4 | 2100 | 2250 | 2500 | | | 2500 | | | | |
| | 5/16 | | 1800 | 2000 | | | 2000 | | | | |
| | 3/8 | | 1500 | 1650 | | | 1700 | 1850 | | | |
| | 1/2 | | 1100 | 1250 | | 2000 | 1250 | 1400 | | | 2600 |
| | 5/8 | | | 1000 | 1400 | 1800 | 1000 | | | 1500 | 2000 |
| | 3/4 | | | 850 | 1150 | 1500 | | | 1100 | | 1700 |
| | 7/8 | | | | | | | | | 1100 | 1500 |
| Safety Factor 6-1 | 1/8 | 2800 | | 3350 | | | 3400 | | | | |
| | 3/16 | 1900 | | 2200 | | | 2250 | | | | |
| | 1/4 | 1430 | 1500 | 1650 | | | 1700 | | | | |
| | 5/16 | | 1200 | 1300 | | | 1350 | | | | |
| | 3/8 | | 100 | 1100 | | | 1100 | 1200 | | | |
| | 1/2 | | 750 | 825 | | 1550 | 850 | 925 | | | 1750 |
| | 5/8 | | | 650 | 930 | 1200 | 675 | | | 1000 | 1350 |
| | 3/4 | | | 550 | 775 | 1000 | | | 725 | | 1100 |
| | 7/8 | | | | | | | | | 750 | 1000 |

Listings & Certifications:

- No-Lead product CSA listed to Low Lead Content Certification Program Plumbing Products Class 6853-01, including NSF/ANSI 372.



GAS FITTINGS

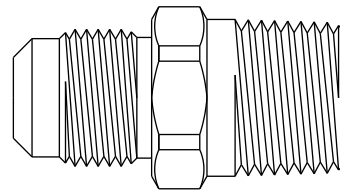
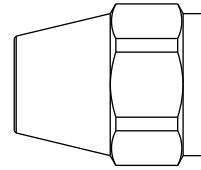
Use: For use with natural, manufactured, mixed, liquefied petroleum gases and LP gas-air mixtures.

Design Features:

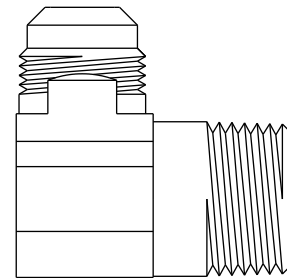
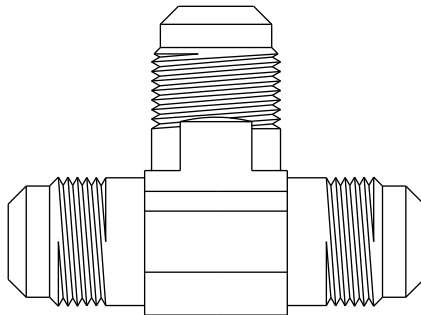
- **One-piece body** provides strength, durability, and long-lasting performance
- **Manufactured with dryseal pipe threads.**

Operating Specifications:

Temperature: -40° - 150° F
Pressure: 1/2 PSI maximum



| FITTING MATERIAL SPECIFICATIONS | |
|---------------------------------|------------------------|
| Brass Fitting | Brass |
| Steel Fitting | Blue zinc plated steel |



Listings & Certifications:

- For use with CSA listed ANSI Z21.24 / CSA 6.10 connectors
- For use with CSA listed ANSI Z21.75 / CSA 6.27 connectors

COMPRESSION FITTINGS

Use: For use with potable water, instrumentation, hydraulic, and pneumatic systems. Designed for use with aluminum, copper, and plastic tubing. Not intended for use with steel tubing.

* Plastic tubing requires a plastic insert and sleeve (see 60PT & 63PT).

Design Features:

- **Little to no tube preparation.** Compression fittings do not require flaring, soldering, or other types of tube preparation
- **Available in** a broad range of sizes
- **100% No Lead** product available

Operating Specifications:

Temperature: -65° - 250° F at maximum operating pressures

Working Pressure: See chart below

Vibration: Fair vibration resistance

| WORKING PRESSURE | | |
|------------------|---------|--------------------|
| PSI | Tube OD | Tube Wall (Inches) |
| 400 | 1/8 | 0.030 |
| 400 | 3/16 | 0.030 |
| 300 | 1/4 | 0.030 |
| 300 | 5/16 | 0.032 |
| 200 | 3/8 | 0.032 |
| 200 | 1/2 | 0.032 |
| 150 | 5/8 | 0.035 |
| 100 | 3/4 | 0.035 |
| 75 | 7/8 | 0.035 |

Standard Product

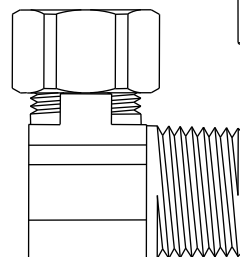
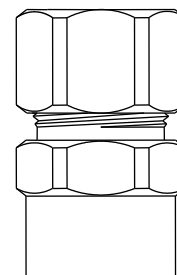
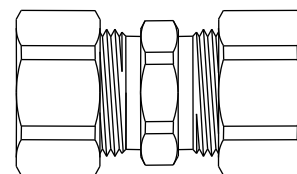
| FITTING MATERIAL SPECIFICATIONS | |
|---------------------------------|----------------|
| Fitting Body | Brass |
| Compression Sleeve | Brass |
| Compression Nut | Brass |
| Option | Chrome plating |

No-Lead Product

| FITTING MATERIAL SPECIFICATIONS | |
|---------------------------------|---------------|
| Fitting Body | No-Lead brass |
| Compression Sleeve | Brass |
| Compression Nut | Brass |

Listings & Certifications:

- No-Lead product CSA listed to Low Lead Content Certification Program Plumbing Products Class 6853-01, including NSF/ANSI 372.



FITTINGS – BRASS CPVC TRANSITION

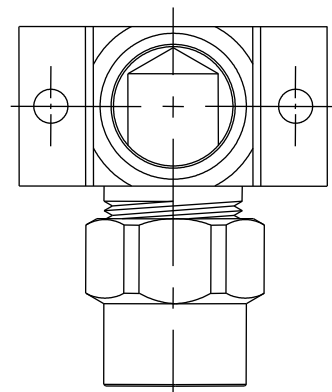
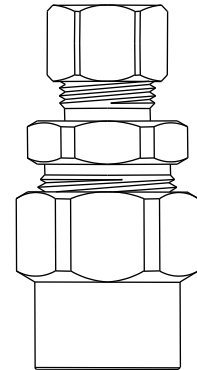
Use: For use with water, grease, fuels, LP and natural gas, refrigeration, instrumentation, and hydraulic systems in low and medium pressure pipe line connections. Use in combination with brass, copper, and iron pipe.

Design Features:

- **Designed & manufactured** to SAE (Society of Automotive Engineers) thread standards
- **Also meets** ASME and ASA requirements
- **Available in** a broad range of sizes
- **100% No Lead** product available

Operating Specifications:

Temperature: See Catalog
Working Pressure: Up to 400 PSI – See Catalog
Vibration: Fair resistance to vibration and pipe movement depending on conditions



Standard Product

No-Lead Product

| FITTING MATERIAL SPECIFICATIONS | |
|---------------------------------|--------|
| Fitting Body | Brass |
| CPVC Insert | CPVC |
| CPVC Washer | Rubber |
| CPVC Nut | Brass |
| Compression Sleeve | Brass |
| Compression Nut | Brass |

| FITTING MATERIAL SPECIFICATIONS | |
|---------------------------------|---------------|
| Fitting Body | No-Lead brass |
| CPVC Insert | CPVC |
| CPVC Washer | Rubber |
| CPVC Nut | Brass |
| Compression Sleeve | Brass |
| Compression Nut | Brass |

Standard Product

No-Lead Product

| FITTING MATERIAL SPECIFICATIONS | |
|---------------------------------|--------|
| Fitting Body | Brass |
| CPVC Insert | CPVC |
| CPVC Washer | Rubber |
| CPVC Nut | Brass |

| FITTING MATERIAL SPECIFICATIONS | |
|---------------------------------|---------------|
| Fitting Body | No-Lead brass |
| CPVC Insert | CPVC |
| CPVC Washer | Rubber |
| CPVC Nut | Brass |

Listings & Certifications:

- No-Lead product CSA listed to Low Lead Content Certification Program Plumbing Products Class 6853-01, including NSF/ANSI 372.



IRON PIPE FITTINGS

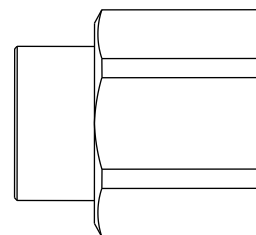
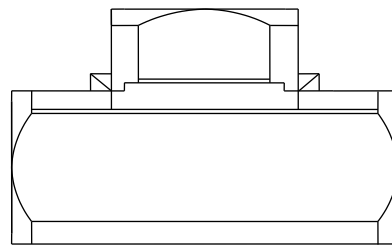
Use: For use with water, grease, fuels, LP and natural gas, refrigeration, instrumentation, and hydraulic systems in low and medium pressure pipe line connections. Use in combination with brass, copper, and iron pipe.

Design Features:

- **Designed and manufactured** to SAE (Society of Automotive Engineers) thread standards
- **Also meets** ASME and ASA requirements
- **Available in** a broad range of sizes
- **100% No Lead** product available

Operating Specifications:

Temperature: -65° - 250° F
Working Pressure: 1200 PSI maximum
Vibration: Fair resistance to vibration and pipe movement depending on conditions

**Standard Product**

| FITTING MATERIAL SPECIFICATIONS | |
|---------------------------------|-------|
| Machined Body | Brass |
| Forged Body | Brass |

No-Lead Product

| FITTING MATERIAL SPECIFICATIONS | |
|---------------------------------|---------------|
| Machined Body | No-Lead brass |
| Forged Body | No-Lead brass |

Listings & Certifications:

- No-Lead product CSA listed to Low Lead Content Certification Program Plumbing Products Class 6853-01, including NSF/ANSI 372.



HOSE BARB FITTINGS

Use: For use with plastic or rubber tubing. Installation requires a hose clamp.

Design Features:

- **Manufactured with** dryseal pipe threads
- **Available in** a broad range of sizes, with swivel flare
- **100% No Lead** product available

Operating Specifications:

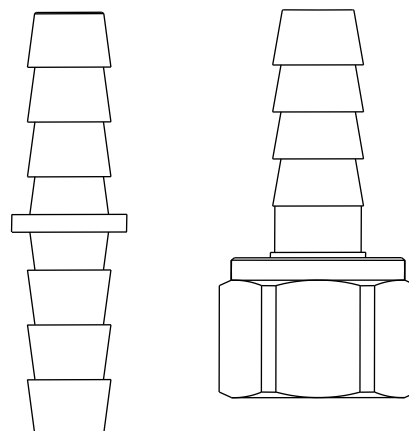
Temperature: -40° - 160° F
Working Pressure: 150 PSI maximum

Standard Product

| FITTING MATERIAL SPECIFICATIONS | |
|---------------------------------|-------|
| Fitting body | Brass |
| Nut (if applicable) | Brass |

No-Lead Product

| FITTING MATERIAL SPECIFICATIONS | |
|---------------------------------|---------------|
| Fitting body | No-Lead brass |
| Nut (if applicable) | Brass |

**Listings & Certifications:**

- No-Lead product CSA listed to Low Lead Content Certification Program Plumbing Products Class 6853-01, including NSF/ANSI 372.



NIPPLES – BRASS PIPE

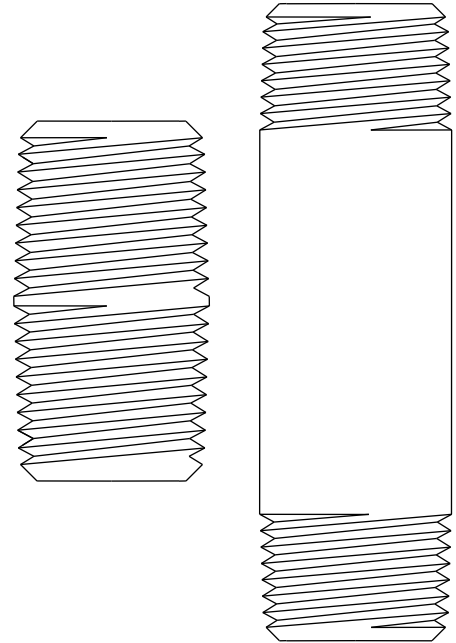
Use: For use with water, grease, fuels, LP and natural gas, refrigeration, instrumentation, and hydraulic systems in low and medium pressure pipe line connections. Use in combination with brass, copper, and iron pipe.

Design Features:

- **Designed & manufactured** to SAE (Society of Automotive Engineers) thread standards
- **Also meets** ASME and ASA requirements
- **Available** in a broad range of sizes
- **100%** No-Lead product available

Operating Specifications:

Temperature: -65° - 250° F
Working Pressure: Up to 1200 PSI
Vibration: Fair resistance to vibration and pipe movement depending on conditions



| NIPPLE MATERIAL SPECIFICATIONS | |
|---------------------------------------|--------------------------------|
| Nipple | <i>Yellow or No-Lead brass</i> |

Listings & Certifications:

- No-Lead product CSA listed to Low Lead Content Certification Program Plumbing Products Class 6853-01, including NSF/ANSI 372.



GARDEN HOSE FITTINGS

Use: For use with residential and commercial grade garden hose. All female hose thread connections require a rubber washer inserted prior to installation.

Design Features:

- Available in a broad range of configurations
- 100% No Lead product available

Operating Specifications:

Temperature: -35° - 100°F at maximum operating pressures

Working Pressure: 75 PSI maximum, intermittent to 150 PSI

Standard Product**FITTING MATERIAL SPECIFICATIONS**

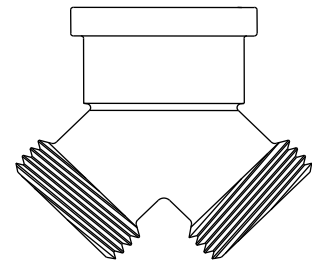
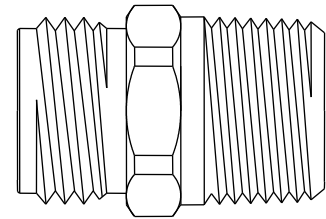
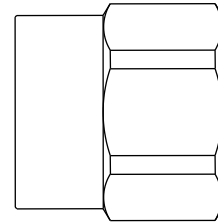
| | |
|---------------------|--------|
| Fitting Body | Brass |
| Hose Washer | Rubber |

No-Lead Product**FITTING MATERIAL SPECIFICATIONS**

| | |
|---------------------|---------------|
| Fitting Body | No-Lead brass |
| Hose Washer | Rubber |

Listings & Certifications:

- No-Lead product CSA listed to Low Lead Content Certification Program Plumbing Products Class 6853-01, including NSF/ANSI 372.



DRAIN COCKS

Use: For use with low pressure air, water, gas, and fluids (lubricant may not be compatible with some fluids)

Design Features:

- **Forged one-piece brass body** provides strength, durability, and long-lasting performance
- **Brass handle** provides a secure grip and smooth on/off operation
- **Manufactured with dryseal pipe threads**

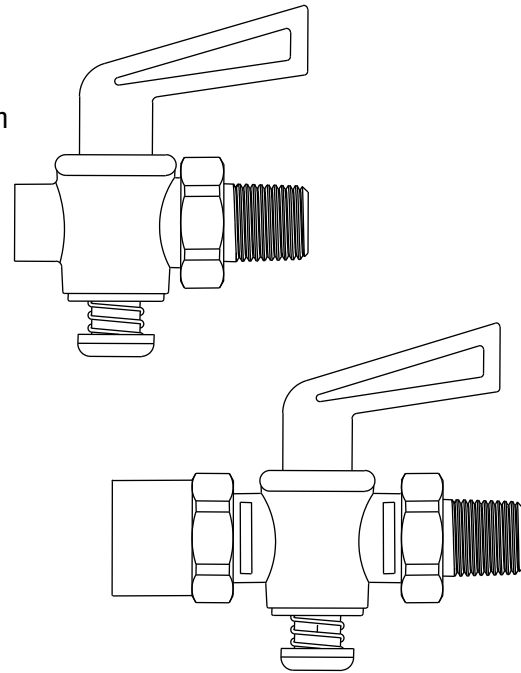
Operating Specifications:

Temperature: 32° - 125° F

Working Pressure: 60 PSI

Standard Product

| VALVE MATERIAL SPECIFICATIONS | |
|--------------------------------------|-------|
| Valve Body | Brass |
| Handle/Stem | Brass |
| Handle Screw | Steel |
| Spring | Steel |
| Washer | Steel |



NEEDLE & HUMIDIFIER VALVES

Use: For use with automotive & industrial applications for instrumentation, hydraulic and pneumatic systems. Not intended for use with natural gas, LPG (liquefied petroleum gas or propane), nuclear, or avionic (aircraft) applications

Design Features:

- **Positive sealing & flow adjustment** up to the capacity of the valve
- **Metal-to-metal seats** with a fine thread engagement
- **100% No Lead product** available

Operating Specifications:

Temperature: -65° - 250° F

Water applications 40° - 140° F, 115° F maximum continuous use temperature

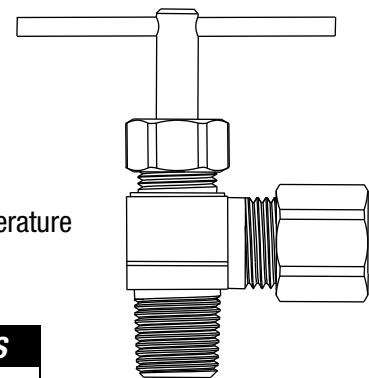
Working Pressure: 150 PSI maximum

Standard Product

| VALVE MATERIAL SPECIFICATIONS | |
|--------------------------------------|--------|
| Valve Body | Brass |
| Stem | Brass |
| Handle | Steel |
| Nut | Brass |
| Rubber Washer | Rubber |
| Compression Ring | Brass |

No-Lead Product

| VALVE MATERIAL SPECIFICATIONS | |
|--------------------------------------|---------------|
| Valve Body | No-Lead brass |
| Stem | No-Lead brass |
| Handle | Steel |
| Nut | Brass |
| Rubber Washer | Rubber |
| Compression Ring | Brass |



Listings & Certifications:

- No-Lead product CSA listed to Low Lead Content Certification Program Plumbing Products Class 6853-01, including NSF/ANSI 372.



| PART NO. | PAGE | PART NO. | PAGE | PART NO. | PAGE |
|---------------------|------|---------------------|------|------------------|------|
| 10 C | 18 | 113-06-4-RX | 34 | 119-6-4 | 30 |
| 10 R | 18 | 113-06-5.5-CX | 34 | 119-6-4X | 30 |
| 102-12 | 35 | 113-06-5-CX | 34 | 119-8-2 | 30 |
| 102-2 | 35 | 113-06-6-CX | 34 | 119-8-4 | 30 |
| 102-4 | 35 | 113-08-1.5-CX | 34 | 119-8-4X | 30 |
| 102-6 | 35 | 113-08-1.5-RX | 34 | 119-8-6 | 30 |
| 102-8 | 35 | 113-08-2.5-CX | 34 | 119-8-6X | 30 |
| 104-12 | 30 | 113-08-2.5-RX | 34 | 11X C | 19 |
| 104-4 | 30 | 113-08-2-CX | 34 | 11X R | 19 |
| 104-6 | 30 | 113-08-2-RX | 34 | 12 C | 18 |
| 104-8 | 30 | 113-08-3.5-CX | 34 | 12 R | 18 |
| 10X C | 18 | 113-08-3.5-RX | 34 | 120-12 | 31 |
| 11 C | 19 | 113-08-3-CX | 34 | 120-12-6 | 31 |
| 11 R | 19 | 113-08-3-RX | 34 | 120-12-8 | 31 |
| 112-02-RX | 33 | 113-08-4.5-CX | 34 | 120-12-8X | 31 |
| 112-04-RX | 33 | 113-08-4-CX | 34 | 120-2 | 31 |
| 112-06-CX | 33 | 113-08-4-RX | 34 | 120-2X | 31 |
| 112-06-RX | 33 | 113-08-5.5-CX | 34 | 120-4 | 31 |
| 112-08-CX | 33 | 113-08-5.5-RX | 34 | 120-4-2 | 31 |
| 112-08-RX | 33 | 113-08-5-CX | 34 | 120-4-2X | 31 |
| 112-12-RX | 33 | 113-08-5-RX | 34 | 120-4X | 31 |
| 112-16-RX | 33 | 113-08-6-CX | 34 | 120-6 | 31 |
| 113-02-1.5-RX | 33 | 113-08-6-RX | 34 | 120-6-2 | 31 |
| 113-02-2.5-RX | 33 | 113-12-1.5-RX | 34 | 120-6-2X | 31 |
| 113-02-2-RX | 33 | 113-12-2.5-RX | 34 | 120-6-4 | 31 |
| 113-02-3.5-RX | 33 | 113-12-2-CX | 34 | 120-8 | 31 |
| 113-02-3-RX | 33 | 113-12-2-RX | 34 | 120-8-4 | 31 |
| 113-02-4-RX | 33 | 113-12-3.5-RX | 34 | 120-8-4X | 31 |
| 113-04-1.5-RX | 33 | 113-12-3-RX | 34 | 120-8-6 | 31 |
| 113-04-2.5-RX | 33 | 113-12-4.5-CX | 34 | 120-8-6X | 31 |
| 113-04-2-RX | 33 | 113-12-4-RX | 34 | 120-8X | 31 |
| 113-04-3.5-RX | 33 | 113-12-5-RX | 34 | 125-10-12 | 38 |
| 113-04-3-RX | 33 | 113-12-6-RX | 34 | 125-10-6 | 38 |
| 113-04-4-RX | 33 | 113-16-2-RX | 35 | 125-10-6X | 38 |
| 113-04-6-RX | 33 | 113-16-3-RX | 35 | 125-10-8 | 38 |
| 113-06-1.5-CX | 34 | 113-16-4-RX | 35 | 125-10-8X | 38 |
| 113-06-1.5-RX | 33 | 113-16-6-RX | 35 | 125-12-12 | 38 |
| 113-06-2.5-CX | 34 | 114FSV-10 | 12 | 125-12-12X | 38 |
| 113-06-2.5-RX | 34 | 114FSV-4 | 12 | 125-12-8 | 38 |
| 113-06-2-CX | 34 | 114FSV-5 | 12 | 125-12-8X | 38 |
| 113-06-2-RX | 34 | 114FSV-6 | 12 | 125-16-12 | 38 |
| 113-06-3.5-CX | 34 | 114FSV-8 | 12 | 125-16-12X | 38 |
| 113-06-3-CX | 34 | 119-12-8 | 30 | 125-16-16 | 38 |
| 113-06-3-RX | 34 | 119-12-8X | 30 | 125-16-16X | 38 |
| 113-06-4.5-CX | 34 | 119-4-2 | 30 | 125-2-2 | 37 |
| 113-06-4-CX | 34 | 119-6-2 | 30 | 125-2-2X | 37 |

| PART NO. | PAGE | PART NO. | PAGE | PART NO. | PAGE |
|----------------|------|----------------|------|------------------|------|
| 125-2-4..... | 37 | 126-6-6..... | 36 | 141L-8..... | 11 |
| 125-2-4X..... | 37 | 126-6-6X..... | 36 | 141S-10..... | 11 |
| 125-3-2..... | 37 | 126-6-8..... | 37 | 141S-10-8..... | 11 |
| 125-3-2X..... | 37 | 126-8-4..... | 37 | 141S-12..... | 11 |
| 125-3-4..... | 37 | 126-8-6..... | 37 | 141S-14..... | 11 |
| 125-3-4X..... | 37 | 126-8-8..... | 37 | 141S-4..... | 11 |
| 125-4-2..... | 37 | 126-8-8X..... | 37 | 141S-5..... | 11 |
| 125-4-2X..... | 37 | 127-4-2..... | 38 | 141S-6..... | 11 |
| 125-4-4..... | 37 | 127-4-4..... | 38 | 141S-6-4..... | 11 |
| 125-4-4X..... | 37 | 127-8-8..... | 38 | 141S-8..... | 11 |
| 125-4-6..... | 37 | 128-12-12..... | 38 | 141S-8-6..... | 11 |
| 125-4-6X..... | 37 | 128-4-4..... | 38 | 144-10..... | 13 |
| 125-4-8..... | 37 | 128-4-4X..... | 38 | 144-10-10-6..... | 13 |
| 125-4-8X..... | 37 | 128-6-4..... | 38 | 144-10-10-8..... | 13 |
| 125-5-2..... | 37 | 128-6-6..... | 38 | 144-4..... | 13 |
| 125-5-2X..... | 37 | 128-8-6..... | 38 | 144-5..... | 13 |
| 125-5-4..... | 37 | 128-8-8..... | 38 | 144-6..... | 13 |
| 125-5-4X..... | 37 | 129-10-6..... | 39 | 144-6-6-4..... | 13 |
| 125-5-6..... | 37 | 129-10-8..... | 39 | 144-8..... | 13 |
| 125-6-2..... | 37 | 129-4-2..... | 38 | 144-8-6-6..... | 13 |
| 125-6-2X..... | 37 | 129-4-4..... | 38 | 144-8-6-8..... | 13 |
| 125-6-4..... | 37 | 129-4-4X..... | 38 | 144-8-8-10..... | 13 |
| 125-6-4X..... | 37 | 129-5-2..... | 38 | 144-8-8-6..... | 13 |
| 125-6-6..... | 37 | 129-5-4..... | 38 | 145-10-8..... | 13 |
| 125-6-6X..... | 37 | 129-5-6..... | 38 | 145-3-2..... | 13 |
| 125-6-8..... | 37 | 129-6-2..... | 38 | 145-4-2..... | 13 |
| 125-6-8X..... | 37 | 129-6-4..... | 39 | 145-4-4..... | 13 |
| 125-8-12..... | 37 | 129-6-6..... | 39 | 145-6-4..... | 13 |
| 125-8-4..... | 37 | 129-6-6X..... | 39 | 145-6-6..... | 13 |
| 125-8-4X..... | 37 | 129-8-4..... | 39 | 145-6-8..... | 13 |
| 125-8-6..... | 37 | 129-8-6..... | 39 | 145-8-6..... | 13 |
| 125-8-6X..... | 37 | 129-8-8..... | 39 | 145-8-8..... | 13 |
| 125-8-8..... | 37 | 12X C..... | 18 | 146-4-4..... | 38 |
| 125-8-8X..... | 37 | 12X R..... | 18 | 146-4-4X..... | 38 |
| 126-12-12..... | 37 | 136-6-8..... | 13 | 146-4-6..... | 38 |
| 126-2-2..... | 36 | 139-4-2..... | 39 | 146-6-6..... | 38 |
| 126-3-2..... | 36 | 139-6-4..... | 39 | 146-6-6X..... | 38 |
| 126-4-2..... | 36 | 139-6-6..... | 39 | 146-6-8..... | 38 |
| 126-4-2X..... | 36 | 139-8-4..... | 39 | 146-6-8X..... | 38 |
| 126-4-4..... | 36 | 139-8-6..... | 39 | 146-8-8..... | 38 |
| 126-4-4X..... | 36 | 13X C..... | 20 | 149-10-12..... | 12 |
| 126-5-2..... | 36 | 13X R..... | 20 | 149-10-4..... | 12 |
| 126-5-4..... | 36 | 14 C..... | 24 | 149-10-6..... | 12 |
| 126-6-2..... | 36 | 14 R..... | 24 | 149-10-8..... | 12 |
| 126-6-4..... | 36 | 141L-10..... | 11 | 149-12-12..... | 11 |
| 126-6-4X..... | 36 | 141L-6 B..... | 11 | 149-12-8..... | 12 |

| PART NO. | PAGE | PART NO. | PAGE | PART NO. | PAGE |
|----------------|------|---------------|------|--------------|------|
| 149-2-2..... | 11 | 159-10-8..... | 12 | 202-2..... | 32 |
| 149-3-2..... | 11 | 159-4-2..... | 12 | 202-2X..... | 32 |
| 149-4-2..... | 11 | 159-4-4..... | 12 | 202-4..... | 32 |
| 149-4-4..... | 11 | 159-6-4..... | 12 | 202-4X..... | 32 |
| 149-4-6..... | 11 | 159-6-6..... | 12 | 202-6..... | 32 |
| 149-4-8..... | 12 | 159-8-6..... | 12 | 202-6X..... | 32 |
| 149-5-2..... | 12 | 19 C..... | 24 | 202-8..... | 32 |
| 149-5-4..... | 12 | 19 R..... | 24 | 202-8X..... | 32 |
| 149-6-12..... | 12 | 190A..... | 44 | 202A..... | 45 |
| 149-6-2..... | 12 | 190B..... | 44 | 202D..... | 45 |
| 149-6-4..... | 12 | 190C..... | 44 | 203-12..... | 35 |
| 149-6-6..... | 11 | 191B..... | 44 | 203-2..... | 35 |
| 149-6-8..... | 12 | 191C..... | 44 | 203-2X..... | 35 |
| 149-8-12..... | 12 | 192A..... | 44 | 203-4..... | 35 |
| 149-8-4..... | 12 | 192B..... | 44 | 203-4X..... | 35 |
| 149-8-6..... | 12 | 192C..... | 44 | 203-6..... | 35 |
| 149-8-8..... | 11 | 193A..... | 44 | 203-6X..... | 35 |
| 14X C..... | 24 | 193B..... | 44 | 203-8..... | 35 |
| 14X R..... | 24 | 193C..... | 44 | 203-8X..... | 35 |
| 150-10-12..... | 11 | 196A..... | 45 | 203A..... | 45 |
| 150-10-6..... | 11 | 196B..... | 45 | 204C..... | 45 |
| 150-10-8..... | 11 | 196C..... | 45 | 205-12..... | 32 |
| 150-4-2..... | 11 | 197A..... | 44 | 205-2..... | 32 |
| 150-4-4..... | 11 | 197B..... | 44 | 205-4..... | 32 |
| 150-4-6..... | 11 | 197C..... | 44 | 205-6..... | 32 |
| 150-5-4..... | 11 | 197D..... | 44 | 205-8..... | 32 |
| 150-6-12..... | 11 | 198A..... | 45 | 207-12..... | 30 |
| 150-6-4..... | 11 | 198B..... | 45 | 207-12X..... | 30 |
| 150-6-6..... | 11 | 198D..... | 45 | 207-2..... | 30 |
| 150-6-8..... | 11 | 199A..... | 45 | 207-2X..... | 30 |
| 150-8-12..... | 11 | 199B..... | 45 | 207-4..... | 30 |
| 150-8-6..... | 11 | 19X C..... | 24 | 207-4X..... | 30 |
| 150-8-8..... | 11 | 200-12..... | 32 | 207-6..... | 30 |
| 151-10-8..... | 13 | 200-2..... | 32 | 207-6X..... | 30 |
| 151-4-2..... | 13 | 200-2X..... | 32 | 207-8..... | 30 |
| 151-4-4..... | 13 | 200-4..... | 32 | 207-8X..... | 30 |
| 151-6-4..... | 13 | 200-4X..... | 32 | 210-2..... | 30 |
| 151-6-6..... | 13 | 200-6..... | 32 | 210-4..... | 30 |
| 151-8-8..... | 13 | 200-6X..... | 32 | 210-6..... | 30 |
| 152-8..... | 13 | 200-8..... | 32 | 210-8..... | 30 |
| 155-10..... | 12 | 200-8X..... | 32 | 211-12..... | 29 |
| 155-10-8..... | 12 | 200A..... | 45 | 211-2..... | 29 |
| 155-4..... | 12 | 200B..... | 45 | 211-2X..... | 29 |
| 155-6..... | 12 | 200C..... | 45 | 211-4..... | 29 |
| 155-8..... | 12 | 202-12..... | 32 | 211-4X..... | 29 |
| 155-8-6..... | 12 | 202-12X..... | 32 | 211-6..... | 29 |

| PART NO. | PAGE | PART NO. | PAGE | PART NO. | PAGE |
|-------------|------|-----------------|------|---------------|------|
| 211-6X..... | 29 | 39-6..... | 6 | 44-3..... | 9 |
| 211-8..... | 29 | 39-8..... | 6 | 44-4..... | 9 |
| 211-8X..... | 29 | 40-10..... | 6 | 44-5..... | 9 |
| 213-12..... | 30 | 40-3..... | 6 | 44-6..... | 9 |
| 213-2..... | 30 | 40-4..... | 6 | 44-6-6-8..... | 9 |
| 213-2X..... | 30 | 40-5..... | 6 | 44-8..... | 9 |
| 213-4..... | 30 | 40-6..... | 6 | 44-8-6-6..... | 9 |
| 213-6..... | 30 | 40-6X..... | 6 | 44-8-6-8..... | 9 |
| 213-6X..... | 30 | 40-8..... | 6 | 44-8-8-6..... | 9 |
| 213-8..... | 30 | 41L-10..... | 6 | 46-10-12..... | 7 |
| 219-2X..... | 29 | 41L-4..... | 6 | 46-10-6..... | 7 |
| 219-4X..... | 29 | 41L-5..... | 6 | 46-10-8..... | 7 |
| 219-6X..... | 29 | 41L-6..... | 6 | 46-12-12..... | 7 |
| 219-8X..... | 29 | 41L-8..... | 6 | 46-12-8..... | 7 |
| 224-2..... | 32 | 41S-10..... | 6 | 46-14-12..... | 7 |
| 224-2X..... | 32 | 41S-12..... | 6 | 462-6-4..... | 24 |
| 224-4..... | 32 | 41S-14..... | 6 | 462-6-4X..... | 24 |
| 224-4X..... | 32 | 41S-2..... | 6 | 462-6-6..... | 24 |
| 224-6..... | 32 | 41S-3..... | 6 | 462-6-6X..... | 24 |
| 224-6X..... | 32 | 41S-4..... | 6 | 462-8-6..... | 24 |
| 224-8..... | 32 | 41S-5..... | 6 | 462-8-6X..... | 24 |
| 224-8X..... | 32 | 41S-6..... | 6 | 46-3-2..... | 7 |
| 225-2..... | 35 | 41S-6X..... | 6 | 46-4-2..... | 7 |
| 225-2X..... | 35 | 41S-7..... | 6 | 46-4-4..... | 7 |
| 225-4..... | 35 | 41S-8..... | 6 | 46-4-6..... | 7 |
| 225-4X..... | 35 | 41S-8X..... | 6 | 46-4-8..... | 7 |
| 225-6..... | 35 | 42-10..... | 7 | 46-5-4..... | 7 |
| 225-6X..... | 35 | 42-10-6..... | 7 | 46-6-12..... | 7 |
| 225-8..... | 35 | 42-10-8..... | 7 | 46-6-2..... | 7 |
| 226-12..... | 35 | 42-12..... | 7 | 46-6-4..... | 7 |
| 226-2..... | 35 | 42-12-10..... | 7 | 46-6-6..... | 7 |
| 226-4..... | 35 | 42-12-8..... | 7 | 46-6-8..... | 7 |
| 226-4X..... | 35 | 42-14..... | 7 | 46-8-12..... | 7 |
| 226-6..... | 35 | 42-2..... | 6 | 46-8-4..... | 7 |
| 226-8..... | 35 | 42-3..... | 6 | 46-8-6..... | 7 |
| 24 R..... | 24 | 42-4..... | 6 | 46-8-8..... | 7 |
| 24X R..... | 24 | 42-5..... | 6 | 48-10-12..... | 8 |
| 30 C..... | 18 | 42-6..... | 7 | 48-10-4..... | 8 |
| 32 C..... | 18 | 42-6-4..... | 7 | 48-10-6..... | 8 |
| 33 C..... | 19 | 42-6-5..... | 7 | 48-10-8..... | 8 |
| 33X C..... | 19 | 42-8..... | 7 | 48-12-12..... | 8 |
| 34 C..... | 24 | 42-8-4..... | 7 | 48-12-8..... | 8 |
| 34 R..... | 24 | 42-8-6..... | 7 | 48-14-12..... | 8 |
| 39-10..... | 6 | 44-10..... | 9 | 48-2-2..... | 7 |
| 39-4..... | 6 | 44-10-10-8..... | 9 | 48-3-2..... | 8 |
| 39-5..... | 6 | 44-10-6-6..... | 9 | 48-3-4..... | 8 |

| PART NO. | PAGE | PART NO. | PAGE | PART NO. | PAGE |
|---------------|------|---------------|------|----------------|------|
| 48-4-2..... | 8 | 60-6..... | 16 | 62-14X..... | 17 |
| 48-4-4..... | 7 | 60-7..... | 16 | 62-2..... | 17 |
| 48-4-6..... | 8 | 60-8..... | 16 | 62-3..... | 17 |
| 48-4-8..... | 8 | 60PT-10..... | 26 | 62-4..... | 17 |
| 48-5-2..... | 8 | 60PT-4..... | 26 | 62-4-2..... | 17 |
| 48-5-4..... | 8 | 60PT-5..... | 26 | 62-4-3..... | 17 |
| 48-5-6..... | 8 | 60PT-6..... | 26 | 62-4DT..... | 17 |
| 48-6-12..... | 8 | 60PT-8..... | 26 | 62-4DTX..... | 17 |
| 48-6-2..... | 8 | 61-10..... | 16 | 62-4X..... | 17 |
| 48-6-4..... | 8 | 61-12..... | 16 | 62-5..... | 17 |
| 48-6-6..... | 7 | 61-14..... | 16 | 62-5-4..... | 17 |
| 48-6-8..... | 8 | 61-2..... | 16 | 62-6..... | 17 |
| 48-8-12..... | 8 | 61-3..... | 16 | 62-6-4..... | 17 |
| 48-8-4..... | 8 | 61-4..... | 16 | 62-6-4X..... | 17 |
| 48-8-6..... | 8 | 61-5..... | 16 | 62-6-5..... | 17 |
| 48-8-8..... | 7 | 61-6..... | 16 | 62-6DT..... | 17 |
| 49-10-8..... | 9 | 61-7..... | 16 | 62-6DTX..... | 17 |
| 49-3-2..... | 8 | 61-8..... | 16 | 62-6X..... | 17 |
| 49-4-2..... | 8 | 61CA-2..... | 26 | 62-6X C..... | 17 |
| 49-4-4..... | 8 | 61CA-3 B..... | 26 | 62-7..... | 17 |
| 49-4-6..... | 8 | 61CA-4..... | 26 | 62-8..... | 17 |
| 49-5-2..... | 8 | 61CA-5..... | 26 | 62-8-6..... | 17 |
| 49-5-4..... | 8 | 61CA-6..... | 26 | 62-8-6 C..... | 17 |
| 49-6-2..... | 9 | 61CA-8..... | 26 | 62-8-6X..... | 18 |
| 49-6-4..... | 9 | 61CP-10..... | 16 | 62-8DT..... | 17 |
| 49-6-6..... | 8 | 61CP-10X..... | 16 | 62-8X..... | 17 |
| 49-6-8..... | 9 | 61CP-4..... | 16 | 62BH-4..... | 24 |
| 49-8-4..... | 9 | 61CP-4X..... | 16 | 62BH-6..... | 24 |
| 49-8-6..... | 9 | 61CP-6..... | 16 | 62CA-4..... | 26 |
| 49-8-8..... | 8 | 61CP-6X..... | 16 | 62H-4-12..... | 41 |
| 50-10-12..... | 8 | 61CP-8..... | 16 | 62H-4-12X..... | 41 |
| 50-10-8..... | 8 | 61CP-8X..... | 16 | 63PT-10X..... | 26 |
| 50-6-6..... | 8 | 61L-12..... | 17 | 63PT-4X..... | 26 |
| 50-6-8..... | 8 | 61L-4..... | 17 | 63PT-5X..... | 26 |
| 55-10..... | 9 | 61L-6..... | 17 | 63PT-6X..... | 26 |
| 55-3 B..... | 9 | 62-10..... | 17 | 63PT-8X..... | 26 |
| 55-4..... | 9 | 62-10-6..... | 18 | 64-10..... | 23 |
| 55-6..... | 9 | 62-10-6X..... | 18 | 64-10X..... | 23 |
| 55-8..... | 9 | 62-10-8..... | 18 | 64-2..... | 23 |
| 60-10..... | 16 | 62-10-8X..... | 18 | 64-3..... | 23 |
| 60-12..... | 16 | 62-10DT..... | 17 | 64-4..... | 23 |
| 60-14..... | 16 | 62-10DTX..... | 17 | 64-4X..... | 23 |
| 60-2..... | 16 | 62-10X..... | 17 | 64-5..... | 23 |
| 60-3..... | 16 | 62-12..... | 17 | 64-6..... | 23 |
| 60-4..... | 16 | 62-14..... | 17 | 64-6-6-4..... | 23 |
| 60-5..... | 16 | 62-14DT..... | 17 | 64-6-6-4X..... | 23 |

| PART NO. | PAGE | PART NO. | PAGE | PART NO. | PAGE |
|-----------------|------|----------------|------|----------------|------|
| 64-6X..... | 23 | 66-5-4..... | 18 | 68-5-6..... | 20 |
| 64-6X C..... | 23 | 66-5-6..... | 18 | 68-6-12..... | 20 |
| 64-8..... | 23 | 66-6-12..... | 18 | 68-6-12X..... | 20 |
| 64-8-8-6..... | 23 | 66-6-2..... | 18 | 68-6-2..... | 20 |
| 64-8X..... | 23 | 66-6-2X..... | 19 | 68-6-2X..... | 20 |
| 65-10..... | 21 | 66-6-4..... | 19 | 68-6-4..... | 20 |
| 65-10-6..... | 21 | 66-6-4X..... | 19 | 68-6-4X..... | 20 |
| 65-10-6 C..... | 21 | 66-6-6..... | 18 | 68-6-4X C..... | 20 |
| 65-10-6X..... | 21 | 66-6-6X..... | 18 | 68-6-6..... | 19 |
| 65-10-6X C..... | 21 | 66-6-8..... | 19 | 68-6-6X..... | 19 |
| 65-10-8..... | 21 | 66-6-8 C..... | 19 | 68-6-6X C..... | 19 |
| 65-10X..... | 21 | 66-6-8X..... | 19 | 68-6-8..... | 20 |
| 65-14..... | 21 | 66-6-8X C..... | 19 | 68-6-8X..... | 20 |
| 65-14X..... | 21 | 66-8-12..... | 19 | 68-6-8X C..... | 20 |
| 65-2..... | 21 | 66-8-4..... | 19 | 68-7-4..... | 20 |
| 65-3..... | 21 | 66-8-6..... | 19 | 68-7-4X..... | 20 |
| 65-4..... | 21 | 66-8-6X..... | 19 | 68-7-6..... | 20 |
| 65-4X..... | 21 | 66-8-8..... | 18 | 68-8-12..... | 20 |
| 65-5..... | 21 | 66-8-8X..... | 18 | 68-8-12X..... | 20 |
| 65-6..... | 21 | 68-10-12..... | 20 | 68-8-4..... | 20 |
| 65-6 C..... | 21 | 68-10-12X..... | 20 | 68-8-4X..... | 20 |
| 65-6X..... | 21 | 68-10-6..... | 20 | 68-8-6..... | 20 |
| 65-8..... | 21 | 68-10-6X..... | 20 | 68-8-6X..... | 20 |
| 65-8-6..... | 21 | 68-10-8..... | 20 | 68-8-8..... | 19 |
| 65-8X..... | 21 | 68-10-8X..... | 20 | 68-8-8X..... | 19 |
| 66-10-12..... | 19 | 68-12-12..... | 20 | 68-8DT..... | 19 |
| 66-10-12X..... | 19 | 68-12-8..... | 21 | 68-8DTX..... | 19 |
| 66-10-6..... | 19 | 68-14-12..... | 21 | 68CA-4-2..... | 26 |
| 66-10-6X..... | 19 | 68-14-12X..... | 21 | 68CA-4-4..... | 26 |
| 66-10-8..... | 19 | 68-14-16..... | 21 | 69-10-12..... | 23 |
| 66-10-8X..... | 19 | 68-14-16X..... | 21 | 69-10-6..... | 23 |
| 66-12-12..... | 18 | 68-14-8..... | 21 | 69-10-8..... | 23 |
| 66-12-8..... | 19 | 68-14-8X..... | 21 | 69-10-8X..... | 23 |
| 66-14-12..... | 19 | 68-2-2..... | 19 | 69-14-12..... | 23 |
| 66-14-12X..... | 19 | 68-3-2..... | 20 | 69-2-2..... | 22 |
| 66-2-2..... | 18 | 68-3-4..... | 20 | 69-2-2X..... | 22 |
| 66-3-2..... | 18 | 68-4-2..... | 20 | 69-3-2..... | 22 |
| 66-3-4..... | 18 | 68-4-2X..... | 20 | 69-3-4..... | 22 |
| 66-4-2..... | 18 | 68-4-4..... | 19 | 69-4-2..... | 22 |
| 66-4-2X..... | 18 | 68-4-4X..... | 19 | 69-4-2X..... | 22 |
| 66-4-4..... | 18 | 68-4-6..... | 20 | 69-4-4..... | 22 |
| 66-4-4X..... | 18 | 68-4-6X..... | 20 | 69-4-4X..... | 22 |
| 66-4-6..... | 18 | 68-4-8..... | 20 | 69-4-6..... | 22 |
| 66-4-6X..... | 18 | 68-4-8X..... | 20 | 69-4-6X..... | 22 |
| 66-4-8..... | 18 | 68-5-2..... | 20 | 69-5-2..... | 22 |
| 66-4-8X..... | 18 | 68-5-4..... | 20 | 69-5-4..... | 22 |

| PART NO. | PAGE | PART NO. | PAGE | PART NO. | PAGE |
|----------------|------|----------------|------|-----------------|------|
| 69-5-6..... | 22 | 70-6-6X..... | 21 | 94D..... | 43 |
| 69-5-8..... | 22 | 70-6-8..... | 22 | 96..... | 44 |
| 69-6-12..... | 23 | 70-6-8 C..... | 22 | 96A..... | 43 |
| 69-6-2..... | 22 | 70-6-8X..... | 22 | 96B..... | 43 |
| 69-6-2X..... | 22 | 70-6-8X C..... | 22 | 96BR..... | 44 |
| 69-6-4..... | 22 | 70-8-6..... | 22 | 96C..... | 43 |
| 69-6-4 C..... | 22 | 70-8-8..... | 21 | 96D..... | 43 |
| 69-6-4X..... | 22 | 70-8-8 C..... | 21 | 96L..... | 44 |
| 69-6-6..... | 22 | 71-4-2..... | 23 | 96P..... | 44 |
| 69-6-6 C..... | 22 | 71-4-2X..... | 23 | 96R..... | 44 |
| 69-6-6X..... | 22 | 71-4-4..... | 23 | 97B..... | 43 |
| 69-6-6X C..... | 22 | 71-6-4..... | 23 | ASN-10..... | 10 |
| 69-6-8..... | 23 | 71-6-4X..... | 23 | AU1-14-12..... | 10 |
| 69-6-8 C..... | 23 | 71-6-6..... | 23 | AU1-14-16..... | 10 |
| 69-6-8X..... | 23 | 72-10-8..... | 24 | AU1-6-8S..... | 10 |
| 69-6-8X C..... | 23 | 72-2-2..... | 24 | AU1-6S..... | 10 |
| 69-7-4..... | 23 | 72-3-2..... | 24 | AU1-8-12S..... | 10 |
| 69-7-6..... | 23 | 72-4-2..... | 24 | AU1-8S..... | 10 |
| 69-8-4..... | 23 | 72-4-2X..... | 24 | AU2-14-12..... | 10 |
| 69-8-4X..... | 23 | 72-4-4..... | 24 | AU2-14-16..... | 10 |
| 69-8-6..... | 23 | 72-4-4X..... | 24 | AU2-6-8S..... | 10 |
| 69-8-6 C..... | 23 | 72-5-2..... | 24 | AU2-6S..... | 10 |
| 69-8-6X..... | 23 | 72-6-2..... | 24 | AU2-8-12S..... | 10 |
| 69-8-6X C..... | 23 | 72-6-4..... | 24 | AU2-8-6S..... | 10 |
| 69-8-8..... | 22 | 72-6-6..... | 24 | AU2-8S..... | 10 |
| 69-8-8 C..... | 22 | 72-6-6X..... | 24 | BC96X..... | 48 |
| 69-8-8X..... | 22 | 72-8-6..... | 24 | BC97X..... | 48 |
| 69CA-4-2..... | 26 | 72-8-8..... | 24 | BCFBL1287..... | 49 |
| 70-10-12..... | 22 | 73-3..... | 36 | C14 C..... | 25 |
| 70-10-8..... | 22 | 73-3X..... | 36 | C14 R..... | 25 |
| 70-10-8X..... | 22 | 73-4..... | 36 | C14X C..... | 25 |
| 70-2-2..... | 21 | 73-4X..... | 36 | C34 C..... | 25 |
| 70-3-2..... | 21 | 73-5..... | 36 | C34 R..... | 25 |
| 70-4-2..... | 21 | 73-5X..... | 36 | CA-44..... | 47 |
| 70-4-2X..... | 21 | 73-6..... | 36 | CA-45..... | 47 |
| 70-4-4..... | 21 | 73-6X..... | 36 | CD-1..... | 47 |
| 70-4-4X..... | 21 | 73-8..... | 36 | CSP-10..... | 16 |
| 70-4-8..... | 22 | 73-8X..... | 36 | CSP-10X..... | 16 |
| 70-5-2..... | 22 | 90..... | 44 | CSP-4..... | 16 |
| 70-5-2X..... | 22 | 90A..... | 43 | CSP-4X..... | 16 |
| 70-5-4..... | 22 | 90B..... | 43 | CSP-6..... | 16 |
| 70-6-2..... | 22 | 90BR..... | 44 | CSP-6X..... | 16 |
| 70-6-4..... | 22 | 90C..... | 43 | CSP-8..... | 16 |
| 70-6-4X..... | 22 | 90D..... | 43 | CSP-8X..... | 16 |
| 70-6-6..... | 21 | 90P..... | 44 | CT1-662..... | 27 |
| 70-6-6 C..... | 21 | 90R..... | 44 | CT2-664X P..... | 27 |

| PART NO. | PAGE | PART NO. | PAGE | PART NO. | PAGE |
|---------------|------|---------------|------|---------------|------|
| CT2-666X P | 27 | HU12-12-12 | 41 | NEV3-C1X | 48 |
| DC604-2 | 46 | HU12-12-12X | 41 | NEV-NCV | 47 |
| DC604-4 | 46 | HU125-10-12 | 42 | NV101-4-2 | 48 |
| DC604-6 | 46 | HU125-10-12X | 42 | NV102-4 | 48 |
| DC800 | 49 | HU125-12-12 | 42 | NV102-6 | 48 |
| F0-6 | 14 | HU125-12-12X | 42 | NV103-4-2 | 48 |
| F0-6 C | 14 | HU125-8-12 | 42 | NV104-4-2 | 48 |
| F0-6-4 C | 14 | HU125-8-12X | 42 | NV104-4-2X | 48 |
| F0-6-4 R | 14 | HU126-10-12 | 42 | NV104-4-4 | 48 |
| F0-8 | 14 | HU126-10-12H | 42 | NV104-5-2 | 48 |
| F0-8 C | 14 | HU126-10-12HX | 42 | NV104-5-2X | 48 |
| F10-6 | 14 | HU126-10-12X | 42 | NV104-6-4 | 48 |
| F12-6-8 | 14 | HU126-12-12 | 42 | NV104-EE1 K1 | 47 |
| FB-5 | 6 | HU126-12-12H | 42 | NV104-EE1X K1 | 47 |
| FB-6 | 6 | HU126-12-12X | 42 | NV105-3 | 47 |
| FB-8 | 6 | HU126-8-12 | 42 | NV105-4 | 47 |
| FC-6 | 14 | HU126-8-12H | 42 | NV105-4X | 47 |
| FF209-2 | 46 | HU126-8-12HX | 42 | NV105-6 | 47 |
| FF209-4 | 46 | HU126-8-12X | 42 | NV105-6X | 47 |
| FF209-6 | 46 | HU12-8-12 | 41 | NV106-3-2 | 47 |
| FRC11-6 | 14 | HU12-8-12X | 41 | NV106-4-2 | 47 |
| FRC13-6-8 | 14 | HU21-12-12 | 41 | NV106-4-2X | 48 |
| FRC16-6 | 14 | HU21-12-12X | 41 | NV106-4-4 | 47 |
| FRC18-6-8 | 14 | HU21-8-12 | 41 | NV106-6-4 | 47 |
| FT3-6 | 14 | HU21-8-12X | 41 | NV108-4 | 48 |
| FU3-6 | 14 | HU22-12-12 | 41 | OVF45-6-12 | 46 |
| HBT1-664 | 39 | HU22-12-12TP | 41 | OVF45-6-8 | 46 |
| HBT2-6 | 39 | HU22-12-12TPX | 41 | P14C C | 28 |
| HBT2-6X | 39 | HU22-12-12X | 41 | P14C R | 28 |
| HC-1 | 40 | HU22-12MH | 41 | P14CX R | 28 |
| HC-1X | 40 | HU22-12MHX | 41 | P44C R | 28 |
| HC-8 | 40 | HU22-8-12 | 41 | P44CX R | 28 |
| HES-6-12 | 40 | HU22-8-12X | 41 | P48F R | 28 |
| HES-6-12WNNM | 40 | HUS11-12-12 | 41 | P48FX R | 28 |
| HES-6-12WNNMX | 40 | HUS11-12-12X | 41 | P48M C | 28 |
| HES-6-12X | 40 | HUS11-8-12 | 41 | P48M R | 28 |
| HES-8-12 | 40 | HUS11-8-12X | 41 | P48MX R | 28 |
| HES-8-12X | 40 | HUS-12 | 40 | P48W R | 28 |
| HFU21-6-12 | 41 | HUS-12X | 40 | P48WX R | 28 |
| HFU22-6-12 | 42 | M40-10 | 10 | P72F R | 28 |
| HFU22-8-12 | 42 | MAE1-10-12 | 10 | P72FX R | 28 |
| HNR-1 | 40 | MAU1-10-12S | 10 | P72M R | 28 |
| HU11-12-12 | 41 | MAU1-10-8S | 10 | P72MX R | 28 |
| HU11-12-12X | 41 | MAU2-10-12S | 10 | P77C R | 28 |
| HU11-8-12 | 41 | MAU2-10-8S | 10 | PHN-12 | 33 |
| HU11-8-12X | 41 | NEV3-C1 | 48 | PHN-12X | 33 |

| PART NO. | PAGE | PART NO. | PAGE | PART NO. | PAGE |
|----------------|------|-----------------|------|----------|------|
| PHN-2..... | 33 | PSA-12..... | 32 | | |
| PHN-2X..... | 33 | PSA-12X..... | 32 | | |
| PHN-4..... | 33 | PSA-16..... | 32 | | |
| PHN-4-2..... | 33 | PSA-16X..... | 32 | | |
| PHN-4-2X..... | 33 | PSA-8..... | 32 | | |
| PHN-4X..... | 33 | PSA-8X..... | 32 | | |
| PHN-6..... | 33 | ST1-SS4X D..... | 27 | | |
| PHN-6-2..... | 33 | ST1-SS6X D..... | 27 | | |
| PHN-6-4..... | 33 | TS-6X..... | 26 | | |
| PHN-6X..... | 33 | TS-8X..... | 26 | | |
| PHN-8..... | 33 | V401-2..... | 46 | | |
| PHN-8-4..... | 33 | V401-4..... | 46 | | |
| PHN-8-4X..... | 33 | V402-2..... | 46 | | |
| PHN-8-6..... | 33 | V402-4..... | 46 | | |
| PHN-8-6X..... | 33 | V402-6..... | 46 | | |
| PHN-8X..... | 33 | V601-2..... | 46 | | |
| PNEV-NCV..... | 48 | V601-4..... | 46 | | |
| PNEV-NCVX..... | 48 | V601-6..... | 46 | | |
| PPH-12..... | 29 | Y-9..... | 42 | | |
| PPH-2..... | 29 | | | | |
| PPH-2X..... | 29 | | | | |
| PPH-4..... | 29 | | | | |
| PPH-4X..... | 29 | | | | |
| PPH-6..... | 29 | | | | |
| PPH-6X..... | 29 | | | | |
| PPH-8..... | 29 | | | | |
| PPH-8X..... | 29 | | | | |
| PRB-12-2..... | 31 | | | | |
| PRB-12-4..... | 31 | | | | |
| PRB-12-4X..... | 31 | | | | |
| PRB-12-6..... | 31 | | | | |
| PRB-12-8..... | 31 | | | | |
| PRB-12-8X..... | 31 | | | | |
| PRB-16-12..... | 31 | | | | |
| PRB-4-2..... | 31 | | | | |
| PRB-4-2X..... | 31 | | | | |
| PRB-6-2..... | 31 | | | | |
| PRB-6-2X..... | 31 | | | | |
| PRB-6-4..... | 31 | | | | |
| PRB-6-4X..... | 31 | | | | |
| PRB-8-2..... | 31 | | | | |
| PRB-8-2X..... | 31 | | | | |
| PRB-8-4..... | 31 | | | | |
| PRB-8-4X..... | 31 | | | | |
| PRB-8-6..... | 31 | | | | |
| PRB-8-6X..... | 31 | | | | |

Distributed by:

Committed to Quality, Driven by Innovation.

Product offering and availability are subject to change. Please contact BrassCraft Customer Service toll-free at 877-272-7755 for verification or ROA access.



BrassCraft®



Scan for direct access to the BrassCraft® Brass Fittings List Price Schedule

BrassCraft Manufacturing Co.
39600 Orchard Hill Place
Novi, Michigan 48375-5331
TOLL-FREE: (877) 272-7755
FAX: (248) 305-6011

350 South Edgeware Road
St. Thomas, Ontario Canada N4P 4C4
TOLL-FREE: (800) 265-4322
FAX: (800) 567-9100