



**UNITED  
TECHNOLOGIES  
CARRIER**

Commercial Division  
Carrier Corporation

BULLETIN: CA-SB-17-69-10  
DATE: 9/26/69  
PAGE: 1 OF 2

## SERVICE BULLETIN

SUPERSEDE  
BULLETIN:

DATE:  
PAGE: OF:

SUBJECT: AUXILIARY OIL PUMP REGULATOR ADJUSTING SCREW HEAD

Installation, repair and service and equipment referenced in this Service Bulletin should be undertaken only by qualified persons. Carrier Corporation (1) makes no representations or warranties, expressed or implied, concerning the accuracy, completeness or right to use the information contained herein, and (2) disclaims all liability for injuries, damages, infringements and other losses which may arise on account of, or which may result from, the use or application of any information, method or apparatus disclosed herein.

### PURPOSE

To transmit information concerning the sealing device used on the auxiliary oil pump regulator for 17MPS machines.

### MACHINES AFFECTED

17MPS machines

### BACKGROUND

The regulator used on auxiliary oil pump systems for 17MPS is a Fisher relief valve modified to make a differential oil pressure regulator. This regulator is used to regulate the oil pressure running to the bearings. It sees a pressure from the pump and a pressure from the oil reservoir. When this differential pressure reaches 25 psid, the valve opens and allows oil to flow back to the reservoir.

There is an adjusting screw and lock nut located on the head of the valve (Figure 1). Beneath the lock nut there is a Parker "Thredseal". This is a combination washer and seal in the same body (Figure 1). It has a rubber web center, a rubber ring and a metal outer ring. As the seal is tightened, the web fills the area between the crest and the root of the thread around the circumference of the screw. The rubber ring is forced against two thread crests. These points of the sealing contact provide a safe, reliable seal.

Care must be taken when loosening the lock nut and adjusting the screw because there is oil pressure in the valve when the pump is running.

# SERVICE BULLETIN

SUPERSEDE  
BULLETIN:  
DATE:  
PAGE: OF:

## AUXILIARY OIL PUMP REGULATOR

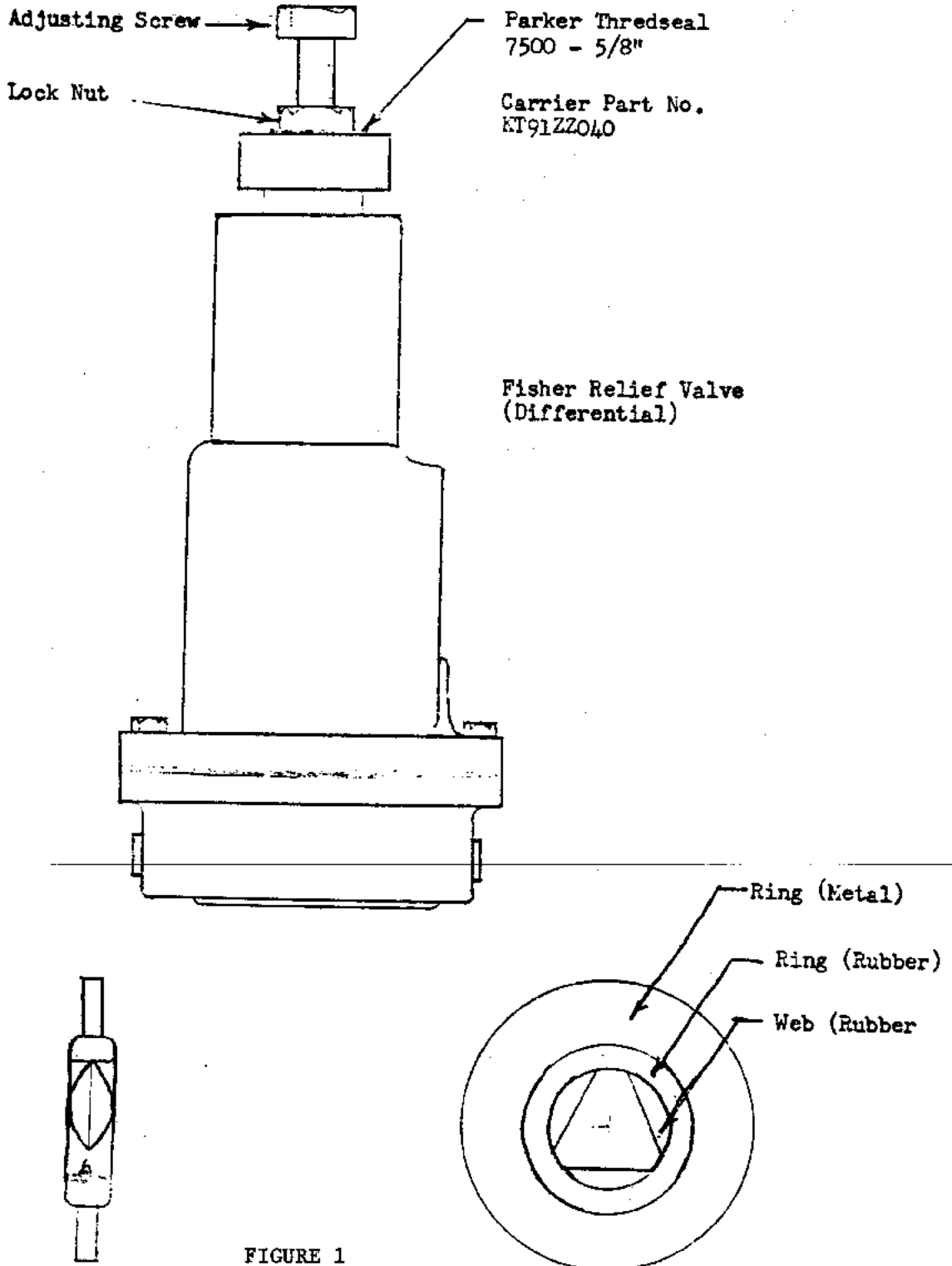


FIGURE 1