



**UNITED  
TECHNOLOGIES  
CARRIER**

**Commercial Division**  
Carrier Corporation

BULLETIN: CA-SB-17-73-21  
DATE: 5/4/73  
PAGE: 1 OF 2

## SERVICE BULLETIN

SUPERSEDE  
BULLETIN:

SUBJECT: SEAL OIL RETURN PUMP

DATE:  
PAGE: OF:

Installation, repair and service and equipment referenced in this Service Bulletin should be undertaken only by qualified persons. Carrier Corporation (1) makes no representations or warranties, expressed or implied, concerning the accuracy, completeness or right to use the information contained herein, and (2) disclaims all liability for injuries, damages, infringements and other losses which may arise on account of, or which may result from, the use or application of any information, method or apparatus disclosed herein.

### PURPOSE

To advise of the seal oil return pump, Carrier Part No. 17M40-125, currently available from the Replacement Components Division, Syracuse.

### MACHINES AFFECTED

17M,P,S compressors with a contact seal.

### BACKGROUND

The use of a hand-operated seal oil return pump on 17M,P,S contact seal compressors was discontinued about 1966 and replaced by an automatic seal oil return pump.

### INFORMATION

The replacement pump is mounted at the seal end of the compressor and automatically returns oil that passes by the carbon contact seal into the atmospheric oil chamber.

The pump assembly in stock is wired for 230V, single phase. A wiring diagram is included which shows how to wire the motor for 115V.

See Figure 1, page 2, for assembly details and parts list.

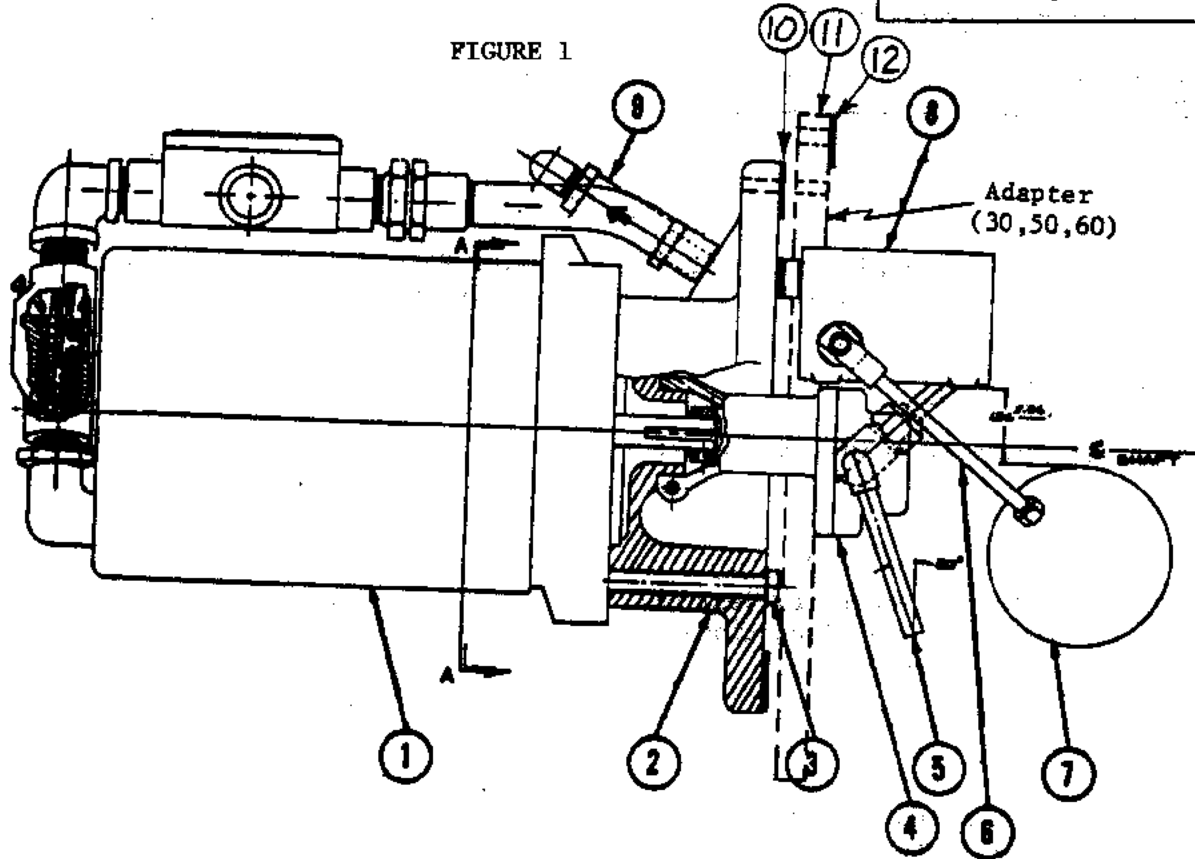
**SERVICE BULLETIN**

SUPERSEDE  
BULLETIN:

DATE:

PAGE: OF:

FIGURE 1



Parts List

<u>Item</u>	<u>Description</u>	<u>Part No.</u>	<u>No. Required</u>
1	Motor, 1/3 hp, 60 Hz	17M32-3722	1
2	Cover	17M42-2814	1
3	Hex Head Screw	AA06BR242	4
4	Gear Pump	KK21RA001	1
5	Tube Assembly (Pump Suction)	17M42-261	1
6	Arm Assembly (Float)	17M32-992	1
7	Ball Float, 3-1/2"	17M42-7011	1
8	Microswitch	HR68TD016	1
9	Check Valve (Circle Seal)	17M42-7051	1
N.S.	Sight Glass	17M42-3632	1
N.S.	Mechanical Seal (For Item 4)	17M31-001	1
10	Gasket	17M42-2232	1
11	Adapter Plate	17M32-2333	1
12	Gasket	17F84-1101	1