



**UNITED  
TECHNOLOGIES  
CARRIER**

Commercial Division  
Carrier Corporation

BULLETIN: CA-SB-17-75-26  
DATE: 4/11/75  
PAGE: 1 OF 4

## SERVICE BULLETIN

SUPERSEDE  
BULLETIN:

DATE:  
PAGE: OF:

SUBJECT: ORDERING 17DA IMPELLERS

Installation, repair and service and equipment referenced in this Service Bulletin should be undertaken only by qualified persons. Carrier Corporation (1) makes no representations or warranties, expressed or implied, concerning the accuracy, completeness or right to use the information contained herein, and (2) disclaims all liability for injuries, damages, infringements and other losses which may arise on account of, or which may result from, the use or application of any information, method or apparatus disclosed herein.

### PURPOSE

To advise that a 17DA impeller should be ordered by its package number.

### MACHINES AFFECTED

17DA, Size 70 and 80 compressors.

### BACKGROUND

When a 17DA impeller is balanced in the factory, it is mounted on cones just as it would be in a compressor. Although the intent is to balance the impeller, in actuality the impeller and cones are balanced as a set. If the impeller is then installed in a compressor with a different set of cones, some of the balance is lost.

17DA impellers are stocked in the Replacement Components Division as a package with the cones on which they were balanced. Each part has a white paint mark to allow them to be lined up as they were when balanced.

Tables 1 and 2 list the impeller part number from which the package part number can be selected.

Table 1. 17DA, Size 70 Impeller Packages

<u>Impeller Part No.</u>	<u>Package Part No.</u>
17DA71-1014	17DA70-121-1
17DA73-1014	17DA70-121-2
17DA75-1014	17DA70-121-3
17DA72-1014	17DA70-121-4
17DA74-1014	17DA70-121-5
17DA76-1014	17DA70-121-6

In addition to the Size 70 impeller, the package includes:

Front Cone	17DA71-173
Rear Cone	17DA71-1132
Instruction Sheet	17DA680001 (copy attached)



Commercial Division  
Carrier Corporation

BULLETIN: CA-SB-17-75-26  
DATE: 4/11/75  
PAGE: 2 OF 4

## SERVICE BULLETIN

SUPERSEDE  
BULLETIN:  
DATE:  
PAGE: OF:

Table 2. 17DA, Size 80 Impeller Packages

<u>Impeller Part No.</u>	<u>Package Part No.</u>
17DA81-1354	17DA80-121-1
17DA83-1354	17DA80-121-2
17DA85-1354	17DA80-121-3
17DA84-1354	17DA80-121-4
17DA86-1354	17DA80-121-5

In addition to the Size 80 impeller, the package includes:

Front Cone	17DA81-173
Rear Cone	17DA81-1132
Instruction Sheet	17DA680002 (copy attached)

**SERVICE BULLETIN**SUPERSEDE  
BULLETIN:

DATE:

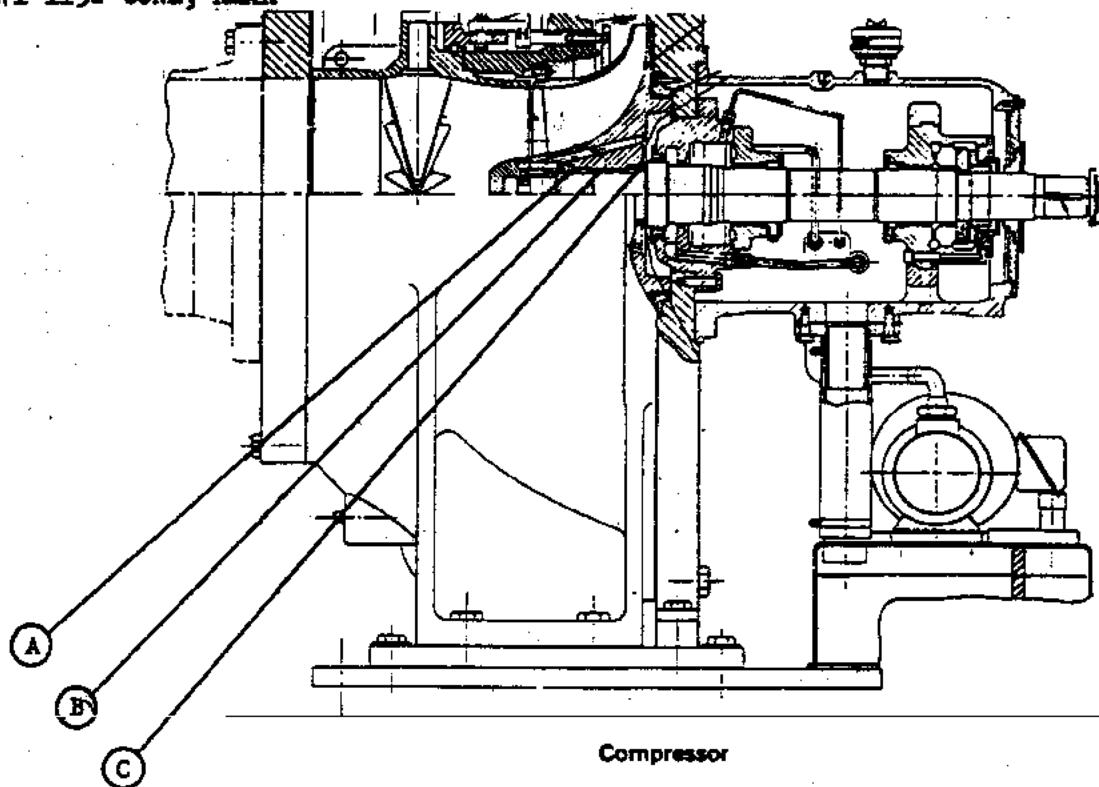
PAGE: OF:

**INSTRUCTION:** THIS PACKAGE CONTAINS THREE PARTS: (A) CONE FRONT, (B) IMPELLER AND (C) CONE REAR. THE THREE PARTS WERE BALANCED TOGETHER AND SHOULD BE INSTALLED TOGETHER. YOU WILL SEE THAT ALL THREE PARTS WILL HAVE A WHITE PAINT MARK ON THEM.

(A) 17DA71-173 CONE, FRONT

(B) IMPELLER, PER JOB REQUIRED

(C) 17DA71-1132 CONE, REAR



INSTRUCTION SHEET  
#17DA680001

DATE: 10-74

## SERVICE BULLETIN

SUPERSEDE

BULLETIN:

DATE:

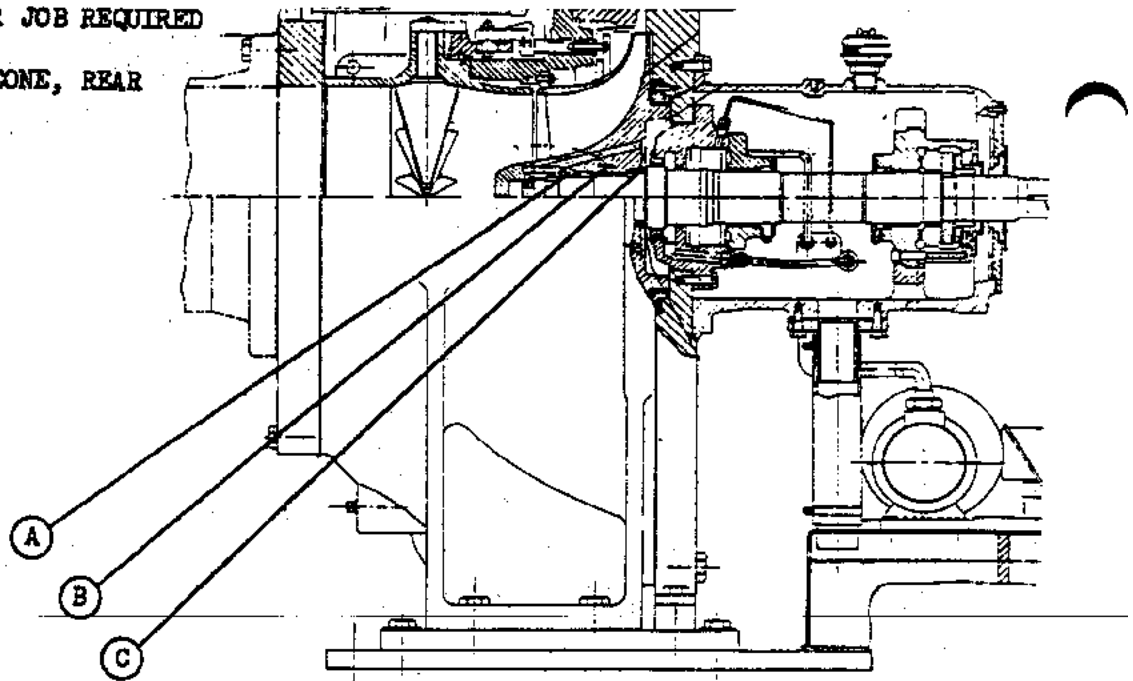
PAGE: OF:

INSTRUCTION: THIS PACKAGE CONTAINS THREE PARTS: (A) CONE FRONT, (B) IMPELLER AND (C) CONE REAR. THE THREE PARTS WERE BALANCED TOGETHER AND SHOULD BE INSTALLED TOGETHER. YOU WILL SEE THAT ALL THREE PARTS WILL HAVE A WHITE PAINT MARK ON THEM. AT ASSEMBLY THE WHITE MARKS ARE TO BE LINED UP.

(A) 17DA81-173 CONE, FRONT

(B) IMPELLER, PER JOB REQUIRED

(C) 17DA81-1132 CONE, REAR



INSTRUCTION SHEET  
#17DA680002

DATE: 10-74

Compressor