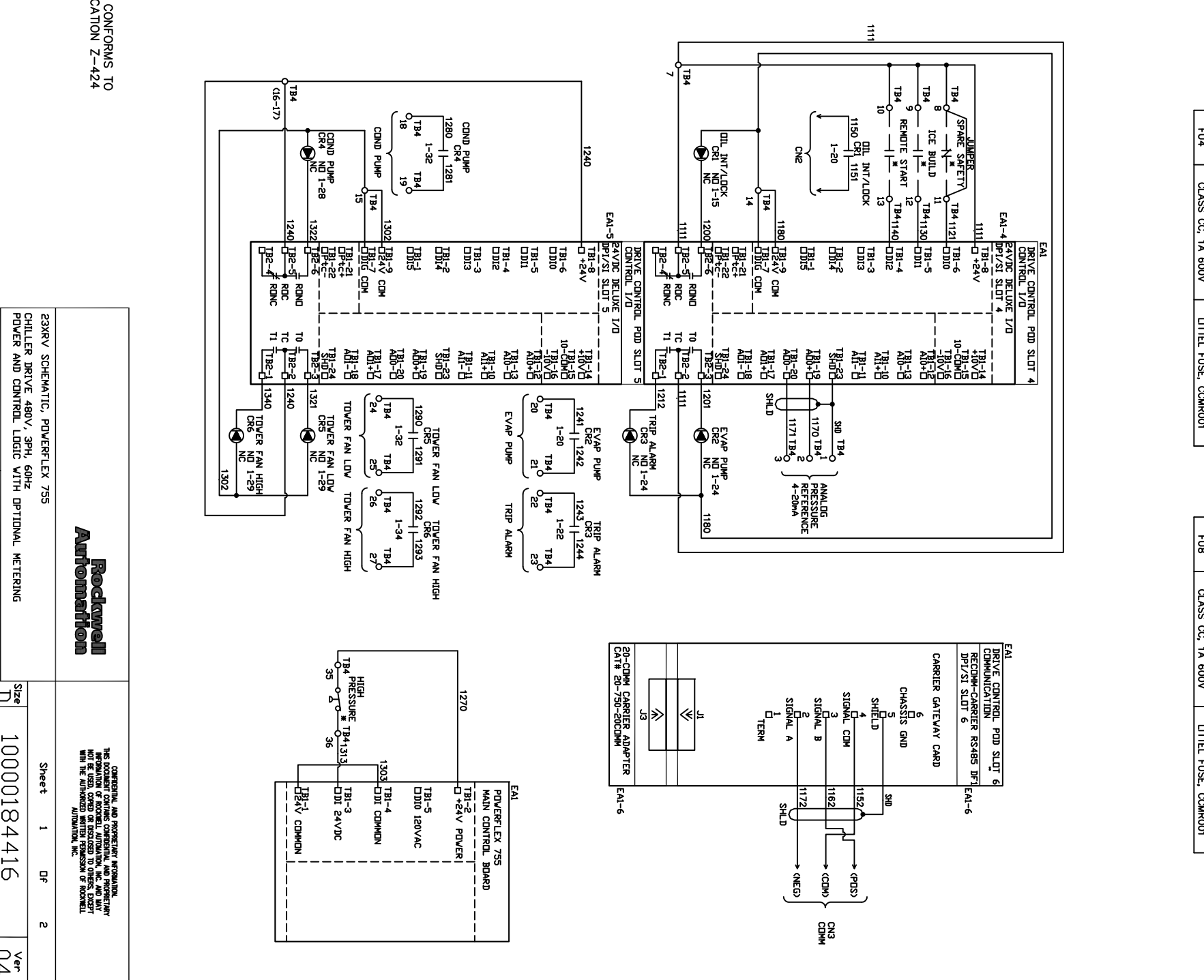
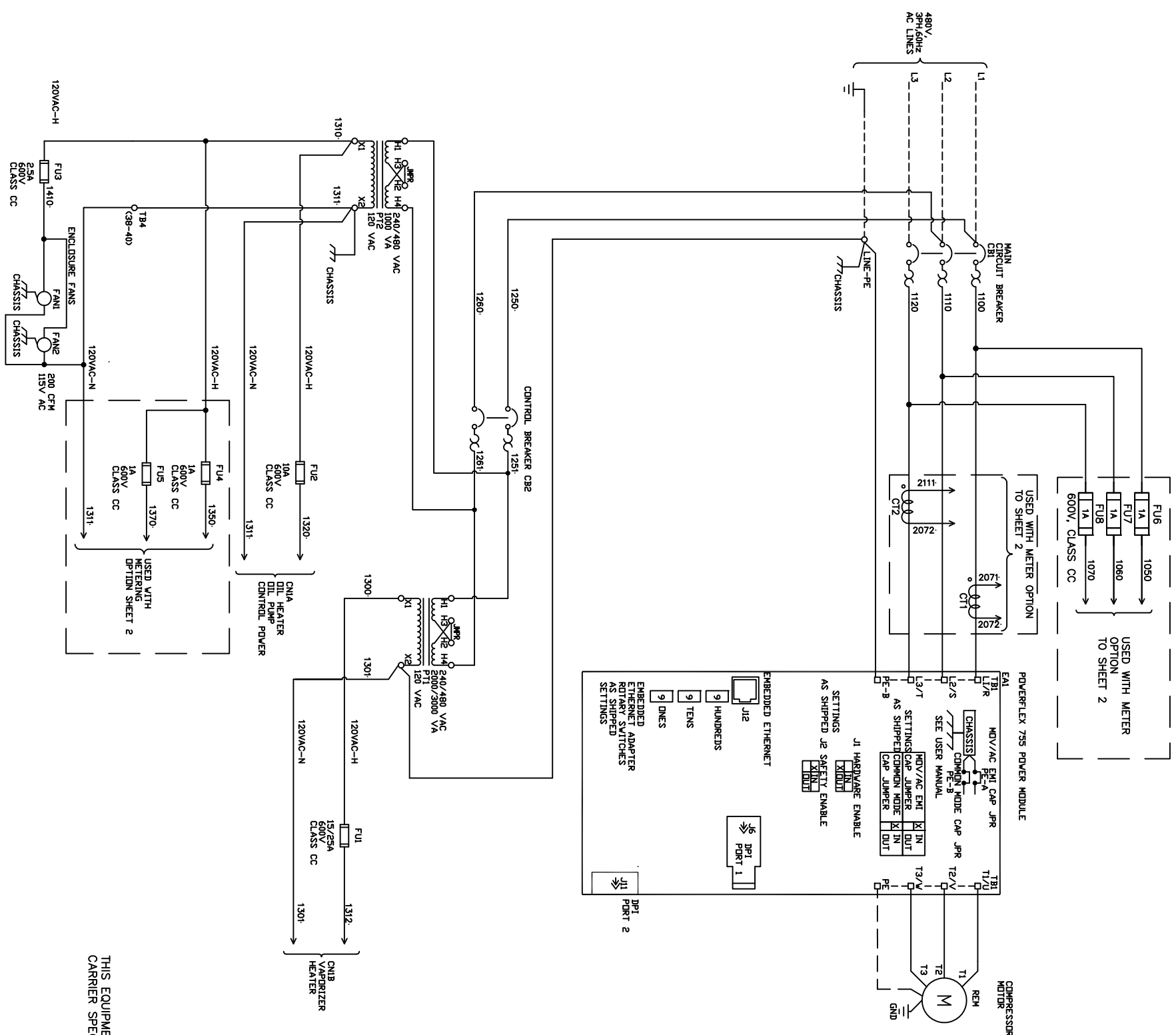


23XRV, 480V, 3PH, 50/60HZ SCHEMATIC DIAGRAM

HP	UNIT RATING	MAIN CIRCUIT BREAKER CBI	DRIVE FRAME SIZE
300HP	361A	600A	7
400HP	477A	600A	7

REF	FUSE DESCRIPTION	SUPPLIER & PART NUMBER
FU1	CLASS CC, 15/25A 600V	LITTEL FUSE, COMR025
FU2	CLASS CC, 10A 600V	LITTEL FUSE, KDR010
FU3	CLASS CC, 2.5A 600V	LITTEL FUSE, COMR02.5
FU4	CLASS CC, 1A 600V	LITTEL FUSE, COMR001

REF	FUSE DESCRIPTION	SUPPLIER & PART NUMBER
FU5	CLASS CC, 1A 600V	LITTEL FUSE, COMR001
FU6	CLASS CC, 1A 600V	LITTEL FUSE, COMR001
FU7	CLASS CC, 1A 600V	LITTEL FUSE, COMR001
FU8	CLASS CC, 1A 600V	LITTEL FUSE, COMR001



THIS EQUIPMENT CONFORMS TO CARRIER SPECIFICATION Z-424



23XRV SCHEMATIC, POWERFLEX 755
CHILLER DRIVE 480V, 3PH, 60HZ
POWER AND CONTROL LOGIC WITH OPTIONAL METERING

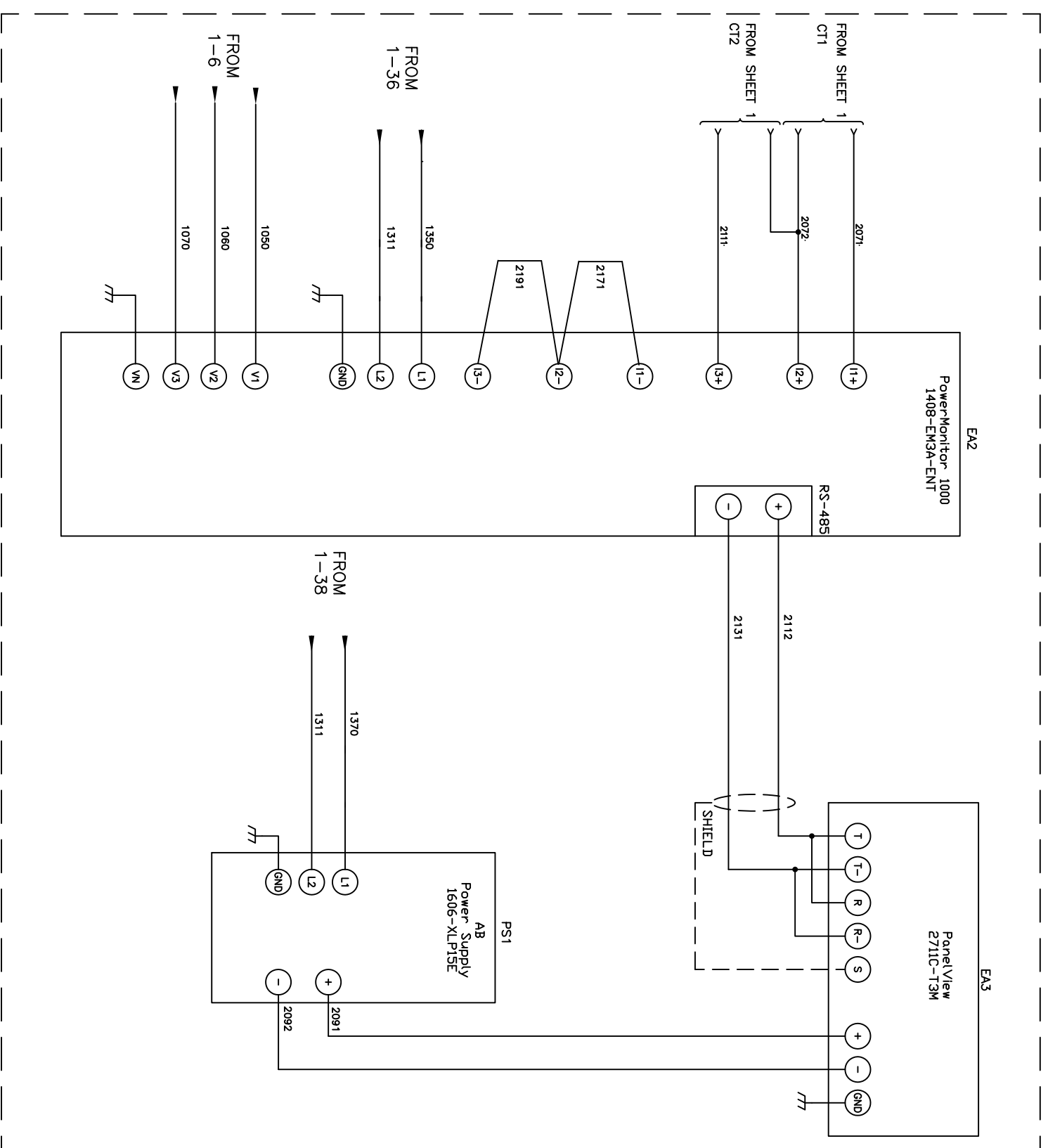
Drawn by: J. E. TINDALL Date: 05-18-11

CONVENTIONAL AND PROPRIETARY INFORMATION.
REPRODUCTION OF ANY PART OF THIS DOCUMENT
WITHOUT THE WRITTEN PERMISSION OF ROCKWELL
AUTOMATION, INC. IS PROHIBITED.

Sheet 1 of 2

Size 10000184416

Ver 04



1
2
3
4
5
6
7
8
9
10
11
12
13
14
15
16
17
18
19
20
21
22
23
24
25
26
27
28
29
30
31
32
33
34
35
36
37
38
39
40
41

A B C D E F G H I J K L M N O P

23XRV SCHEMATIC, POWERFLEX 755
CHILLER DRIVE 480V, 3PH, 60HZ
POWER AND CONTROL LOGIC WITH OPTIONAL METERING

Rockwell Automation

CONFERENTIAL AND PROPRIETARY INFORMATION
NOT BE USED, COPIED OR DISCLOSED TO OTHERS, EXCEPT
WITH THE AUTHORIZED WRITTEN PERMISSION OF ROCKWELL
AUTOMATION, INC.

Sheet 2 of 2

Size D 10000184416 Ver 04

Drawn by: J. E. TINDALL Date: 05-18-11

10000184416 VER. 04