



**MILLENNIUM®
AIR-COOLED SCREW CHILLER
STYLE "F"**

RENEWAL PARTS LIST

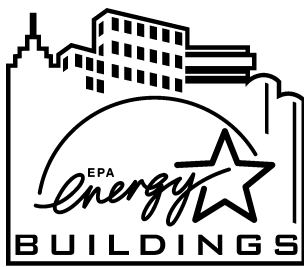
New Release

Form 201.18-RP11 (302)

MODELS YCAS0685, 0775, 0835, 0905 and YCAS0965



28971AR



ALLY

**50 HERTZ
R-407c
OPTIMIZED**



380/415-3-50
MODELS ONLY

TABLE OF CONTENTS

	<u>PAGE</u>
UNIT NOMENCLATURE NAMEPLATE ENGINEERING DATA	4
EVAPORATOR	
EVAPORATOR COMPONENTS	5
CONDENSER	
CONDENSER COIL COMPONENTS	6
FANS	
FAN COMPONENTS	8
PIPING	
REFRIGERANT AND OIL PIPING COMPONENTS	10
RELIEF VALVES AND HP CUTOUT SWITCH	14
COMPRESSOR	
COMPRESSOR MODEL NOMENCLATURE	16
MODEL DXS COMPRESSOR PART NUMBERS	17
DXS COMPRESSOR COMPONENTS	18
DXS COMPRESSOR COMPONENTS / RELATED PARTS	19
COMPRESSOR AND CONTROL COMPONENTS	25
CONTROL PANEL / TRANSDUCERS / TEMP SENSORS	
CONTROL PANEL COMPONENTS	26
SENSOR HARNESS	29
TRANSDUCERS, TEMP SENSORS AND WIRE HARNESS CONNECTORS	33
TRANSDUCERS AND TEMP SENSORS	34
POWER PANEL	
POWER PANEL - ACROSS THE LINE	36
POWER PANEL COMPONENTS - ACROSS THE LINE	38
POWER PANEL - WYE DELTA	40
POWER PANEL COMPONENTS - WYE DELTA	42
4 FAN CONTACTOR PANEL COMPONENTS	46
OPTION PANEL	
OPTION AND POWER PANEL CONFIGURATION	46
OPTION PANEL IDENTIFIERS	47
OPTION PANEL COMPONENTS	48

TABLE OF CONTENTS - CONT'D

	<u>PAGE</u>
CHILLER OPTIONS	
YCAS CHILLER OPTIONS - KITS AND SPARE PARTS	52
ENCLOSURE KIT OPTIONS	53
WIRE ENCLOSURE PARTS BREAKDOWN	54
LOUVERED ENCLOSURE PARTS BREAKDOWN	56
REMOTE CURRENT/TEMPERATURE RESET WIRING KIT	58
REMOTE CURRENT/TEMPERATURE RESET PARTS BREAKDOWN	60
REMOTE CONTROL CENTER	61
RECOMMENDED SPARE PARTS	62

WARNING

HIGH VOLTAGE

Is used in the operation of this equipment.

DEATH OR SERIOUS INJURY

may result if personnel fail to observe safety precautions.

Work on electronic equipment should not be undertaken unless the individual(s) have been trained in the proper maintenance of equipment and is (are) familiar with its potential hazards.

Shut off power supply to the equipment before beginning work and follow lockout procedures. When working inside equipment with power off, take care to discharge every capacitor likely to hold dangerous potential.

Be careful not to contact high voltage connections when installing or operating this equipment.

LOW VOLTAGE

DO NOT be misled by the term "low voltage." Voltages as low as 50 volts may cause death.

UNIT NOMENCLATURE NAMEPLATE ENGINEERING DATA

Basic Part Number

YCAS0835EA50YFA

1	2	3	4	5	6	7	8	9	10	11	12	13	14	15	
BASE PRODUCT TYPE				NOMINAL CAPACITY				UNIT DESIGNATOR		REFRIGERANT		VOLTAGE/STARTER		DESIGN/DEVELOPMENT LEVEL	
Y	C	A		0	#	#	#	S	B	5	0	Y	F	A	
: YORK : Chiller : Air Cooled S : Screw				Tons 0685 0775 0835 0905 0965				Standard Unit High Efficiency Extended Range High Static		:R-407c		:380-415/3/50 Y :Wye (Star) Delta X :Across the Line		:Design Series F :Engineering Change or PIN Level	

PART NUMBER – letter codes

16 17 18 19 20

POWER FIELD

M	D	: MP NF Discnct. Sw.
M	B	: MP Supply w/ Sep. Sys. CBs
S	B	: SP Supply TB w/ Sep. Sys. CBs
D	B	: SP NF Discnct. Sw. w/ Sep. Sys. CBs
S	S	: SP Supply TB w/ Sep. Sys. NF Discnct.
C	S	: SP CB w/ Sep. Sys. NF Discnct. Sw.
S	X	: SP Supply TB
S	D	: SP NF Discnct. Sw.
B	X	: SP CB w/ Lockable Handle
D	P	: MP NF Discnct. Sw. w/ Sep. Sys. CBs
C		: Control Circuit Power Terminal Strip
X		: No Option

MP = Multiple Point
SP = Single Point
NF = Non-Fused
TB = Terminal Block
CB = Circuit Breaker

21 22 23 24 25 26 27 28 29

CONTROLS FIELD

X		: No Option
T		: BAS/EMS Temp Reset / Offset
C		: BAS/EMS Current Reset / Offset
B		: BAS/EMS Both Temp. & Current
S		: Millennium Controls
F		: Spanish LCD & Keypad Display
G		: French LCD & Keypad Display
X		: German LCD & Keypad Display
L		: No Option
C		: N Amer. Safety Code (cU.L./cE.T.L.)
N		: European Safety Code (CE)
X		: No listing
P		: No Option
R		: Pump Control
S		: Remote Control Panel
S		: Seq. Cntrl & Automatic Lead Trans.

30 31 32 33 34 35 36 37

COMPRESSOR / PIPING FIELD

#	#	
T	S	
C		
G		

38 39 40 41 42 43 44

EVAP. FIELD

3						
D						
W						
V						
S						
M						
A						
S						
F						
T						
I						
P						
R						
X						

45 46 47

CONDENSER FIELD

X		: Aluminum
C		: Copper
B		: BlackFin
P		: Phenolic
X		: TEAO Fan Motors

48 49 50 51 52 53 54

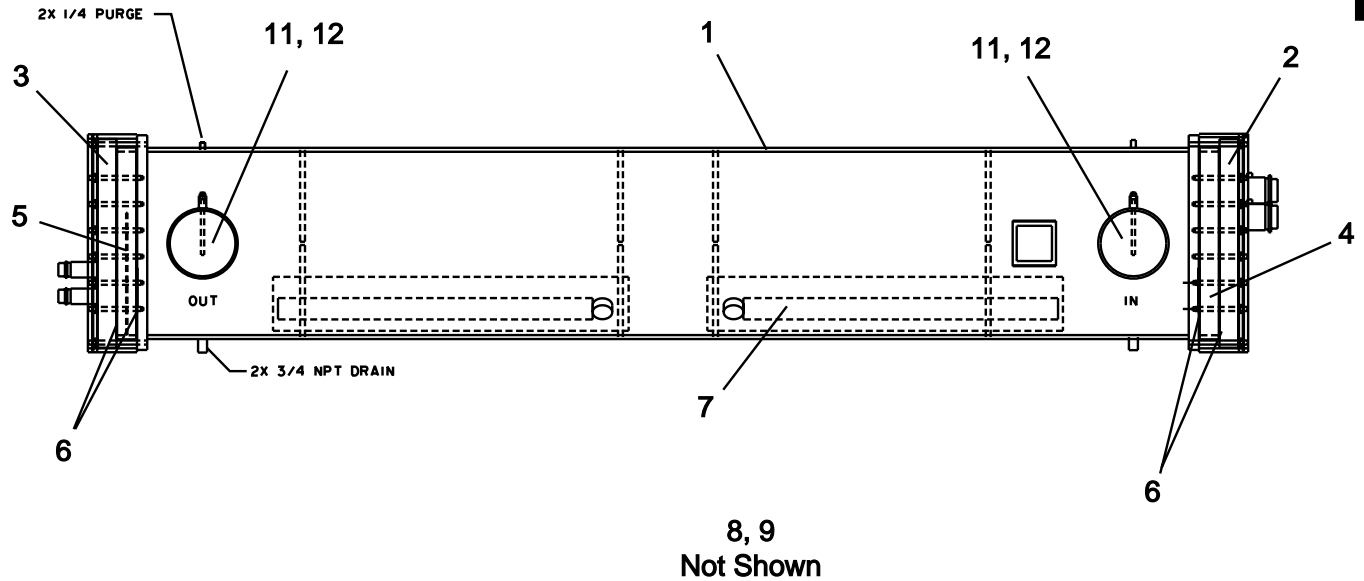
CABINET FIELD

1						
2						
3						
4						
5						
6						
7						
8						
E						
X						
B						
L						
H						
S						

NOTES:

1. Q :DENOTES SPECIAL / S.Q.
2. # :DENOTES STANDARD
3. X :w/in OPTIONS FIELD, DENOTES NO OPTION SELECTED

EVAPORATOR COMPONENTS



35772-1

FIG. 1 –EVAPORATOR COMPONENTS

- 150# COOLER FLOW SWITCH 024-26116-000 (PIN 38 in Model No. is X; see page 4)
- 300# COOLER FLOW SWITCH 024-12144-000 (PIN 38 in Model No. is 3; see page 4)

TABLE 1 – EVAPORATOR COMPONENTS

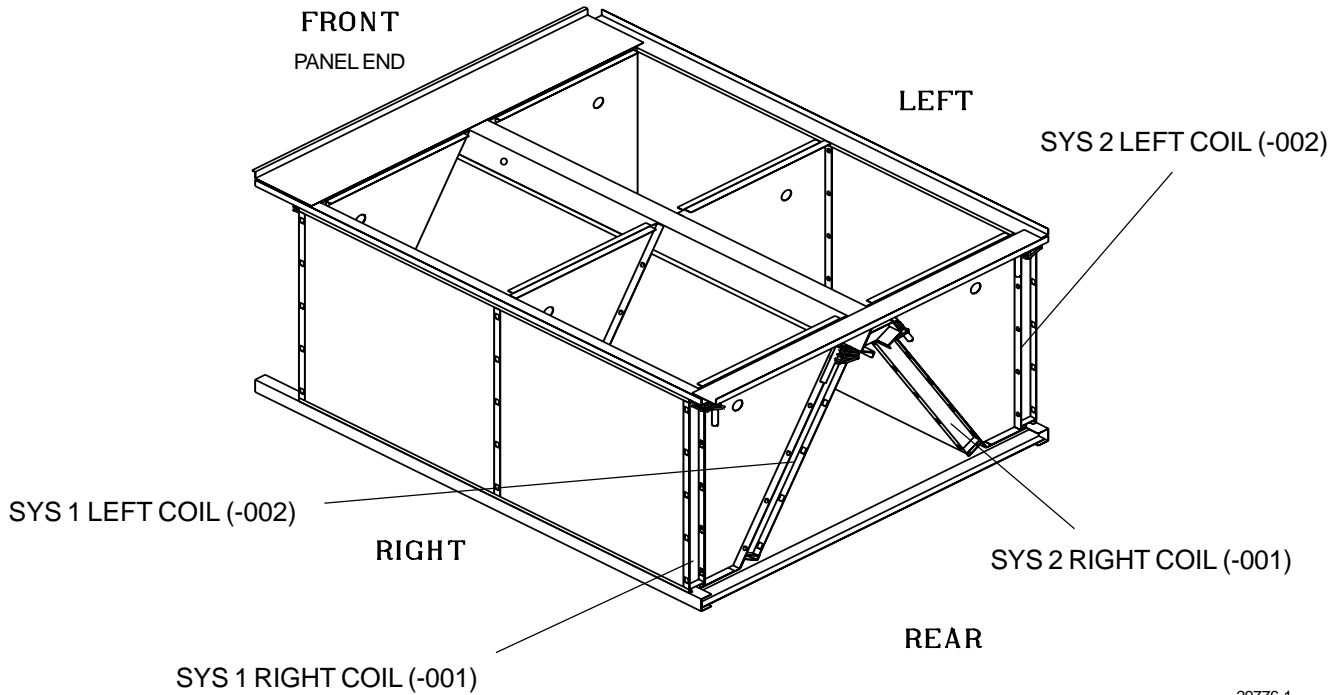
Item Number	Qty. per Unit	Description	DWP	Unit Model YCAS0685	Unit Models YCAS0775, 0835 0905 and 0965
1	1	Cooler, less Heater & Insulation (Items 2 thru 6)	150	375-36004-900	375-35775-900
			300	375-36004-900	375-35775-900
2	1	Head, Connection End	ALL	375-36008-900	375-44220-900
3	1	Head, Back End	ALL	075-36010-900	375-44221-900
4	1	Baffle, Pass, Conn. End	ALL	375-36012-900	375-35785-900
5	1	Baffle, Pass, Back End	ALL	075-36013-900	075-35786-900
6 ^S	8	Gasket, Pass Baffle and Head	ALL	075-36018-900	075-35787-900
7 ^S	2	Heater, Cooler 280 Watt	ALL	025-22691-000	025-22691-000
8	3.5	Insulation (3/4" x 49" x 65")	ALL	010-05997-000	010-05997-000
9*	2.5	Insulation (1-1/2" x 49" x 65")	ALL	010-05998-000	010-05998-000
10	2	Connector, 10" Water	ALL	375-36016-900	375-35790-900

^S = Recommended Spare Parts

* Use on 1 1/2 insulated coolers only.

CONDENSOR COIL COMPONENTS

Condenser



29776-1

FIG. 2 – CONDENSER COIL LAYOUT - 8'-0" SHOWN

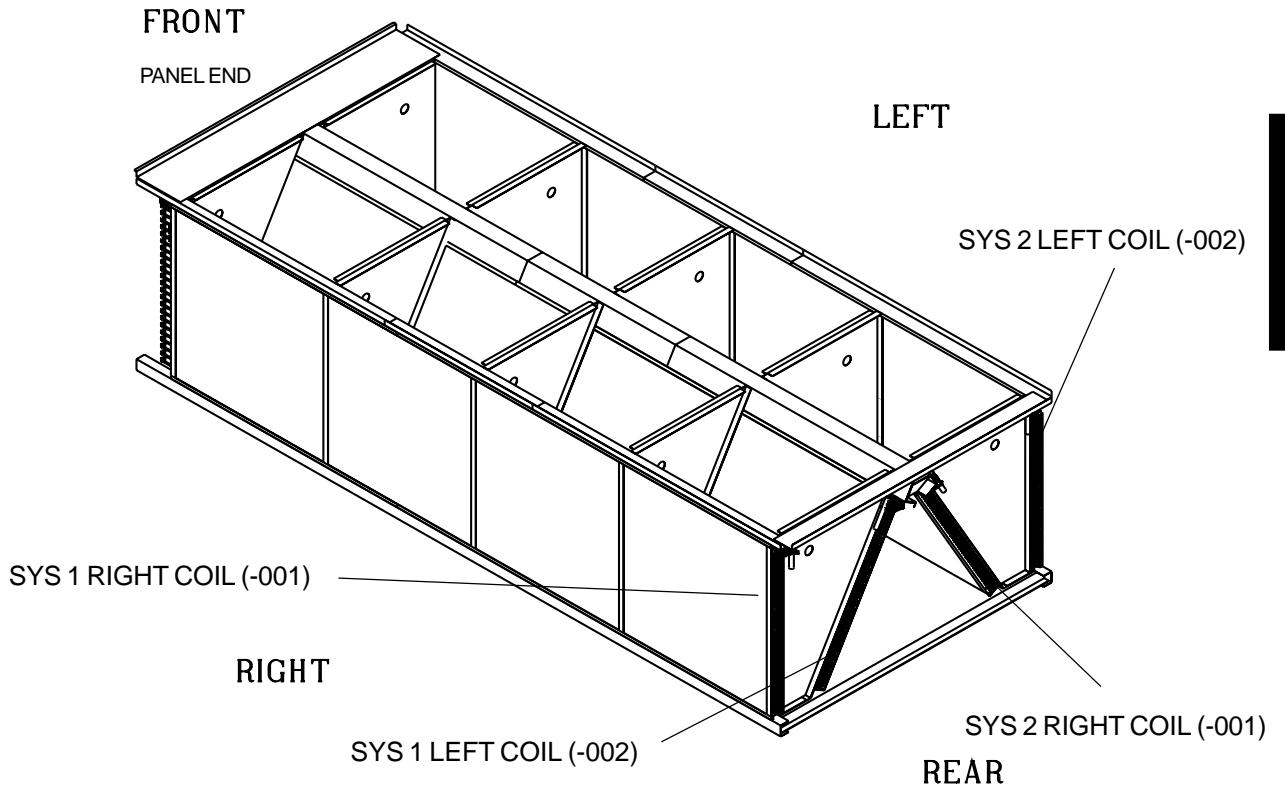
Coils for each circuit are denoted left and right as viewed from power panel end of chiller.

TABLE 2 – CONDENSER COILS – YCAS STYLE F CHILLERS

Description	Coil Location (Left or Right)	Unit Model			
		YCAS0685		YCAS0775 and YCAS0835	
		Front (16'-0")	Rear (8'-0")	Front (16'-0")	Rear (8'-0")
Coils, Condenser, Aluminum	Right	375-27435-001	375-29658-001	375-29501-001	375-29658-001
	Left	375-27435-002	375-29658-002	375-29501-002	375-29658-002
Coils, Condenser, Blackfin	Right	375-23772-001	375-29859-001	375-23770-001	375-29859-001
	Left	375-23772-002	375-29859-002	375-23770-002	375-29859-002
Coils, Condenser, Phenolic	Right	375-29011-001	375-29860-001	375-29010-001	375-29860-001
	Left	375-29011-002	375-29860-002	375-29010-002	375-29860-002
Coils, Condenser, Copper	Right	375-23778-001	375-29861-001	375-23776-001	375-29861-001
	Left	375-23778-002	375-29861-002	375-23776-002	375-29861-002

NOTES: Coil Assemblies are complete with headers.

CONDENSER COIL COMPONENTS - CONT'D



29501-1

FIG. 3 – CONDENSER COIL LAYOUT - 16'-0" SHOWN

Coils for each circuit are denoted left and right as viewed from power panel end of chiller.

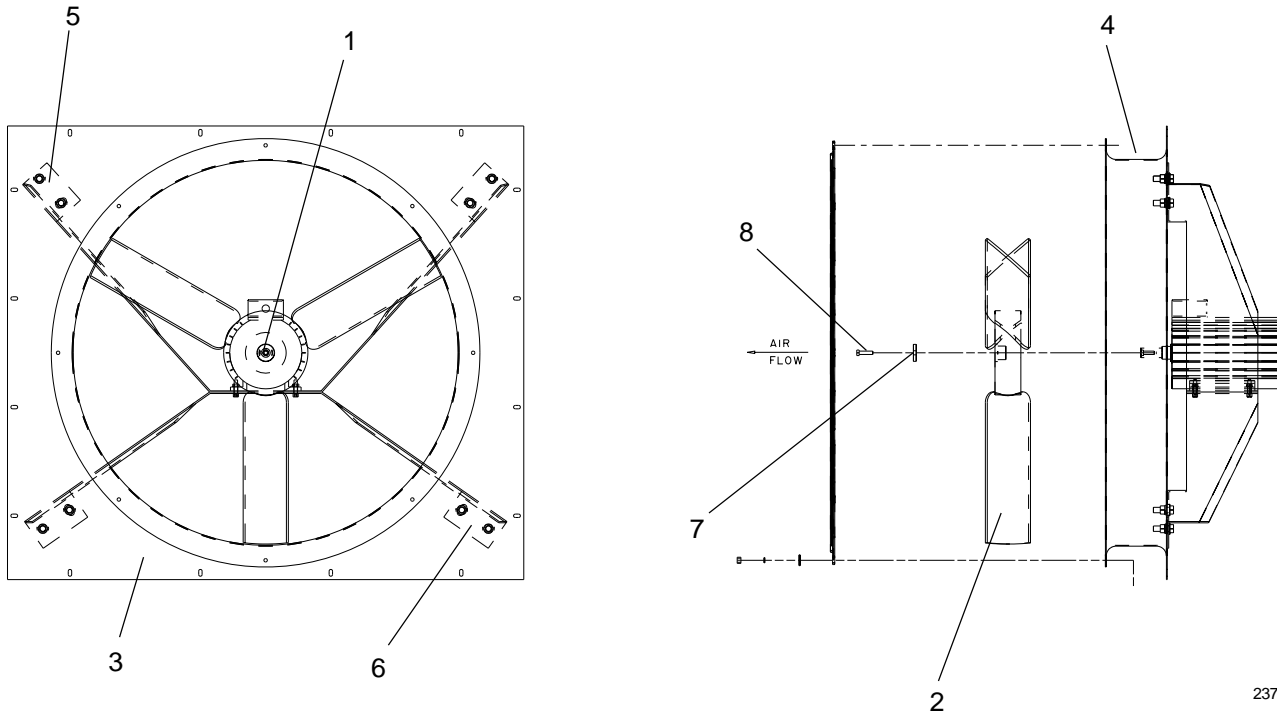
TABLE 3 – CONDENSER COIL COMPONENTS – YCAS STYLE F CHILLERS

Description	Coil Location (Left or Right)	Unit Model			
		YCAS0905		YCAS0965	
		Front (16'-0")	Rear (8'-0")	Front (20'-0")	Rear (12'-0")
Coils, Condenser, Aluminum	Right	375-29501-001	375-29658-001	375-25578-001	375-27435-001
	Left	375-29501-002	375-29658-002	375-25578-002	375-27435-002
Coils, Condenser, Blackfin	Right	375-23770-001	375-29859-001	375-23771-001	375-23772-001
	Left	375-23770-002	375-29859-002	375-23771-002	375-23772-002
Coils, Condenser, Phenolic	Right	375-29010-001	375-29860-001	375-29009-001	375-29011-001
	Left	375-29010-002	375-29860-002	375-29009-002	375-29011-002
Coils, Condenser, Copper	Right	375-23776-001	375-29861-001	375-23777-001	375-23778-001
	Left	375-23776-002	375-29861-002	375-23777-002	375-23778-002

NOTES: Coil Assemblies are complete with headers.

FAN COMPONENTS

Fans



23735-1

FIG. 4 – FAN COMPONENTS (STANDARD)

Service Note: Pin Location 52 in Model Number will be “X” for Standard Fan, or “L” for Low Noise Fan. See page 4.

TABLE 4 – FAN COMPONENTS (STANDARD)

ITEM NUMBER	DESCRIPTION	VOLTAGE CODE	FANTYPE	
			STANDARD 7/8" Ø SHAFT, 1160 rpm	LOW NOISE (OPTIONAL) 7/8" Ø SHAFT, 850 rpm
1 ^s	Motor 2 HP (Wt. = 50 LBS.)	-50	024-30900-001	024-30933-001
2 ^s	Blade	All	026-35604-000 21°	026-36532-000 30°
3	Guard	All	026-35605-000	
4	Orifice	All	026-35141-000	
5	Support, Motor, Upper	All	075-25584-000	
6	Support, Motor, Lower	All	075-25583-000	
7	Spacer, Fan Motor	All	075-29007-000	
8	Screw, Cap	All	021-18494-000	

^s = Recommended Spare Parts

Service Note: Fan Hub to Shaft Joint should be sealed with protective coating - factory uses RUST VETO 344 - a solvent type, rust preventative coating.

FAN COMPONENTS - CONT'D

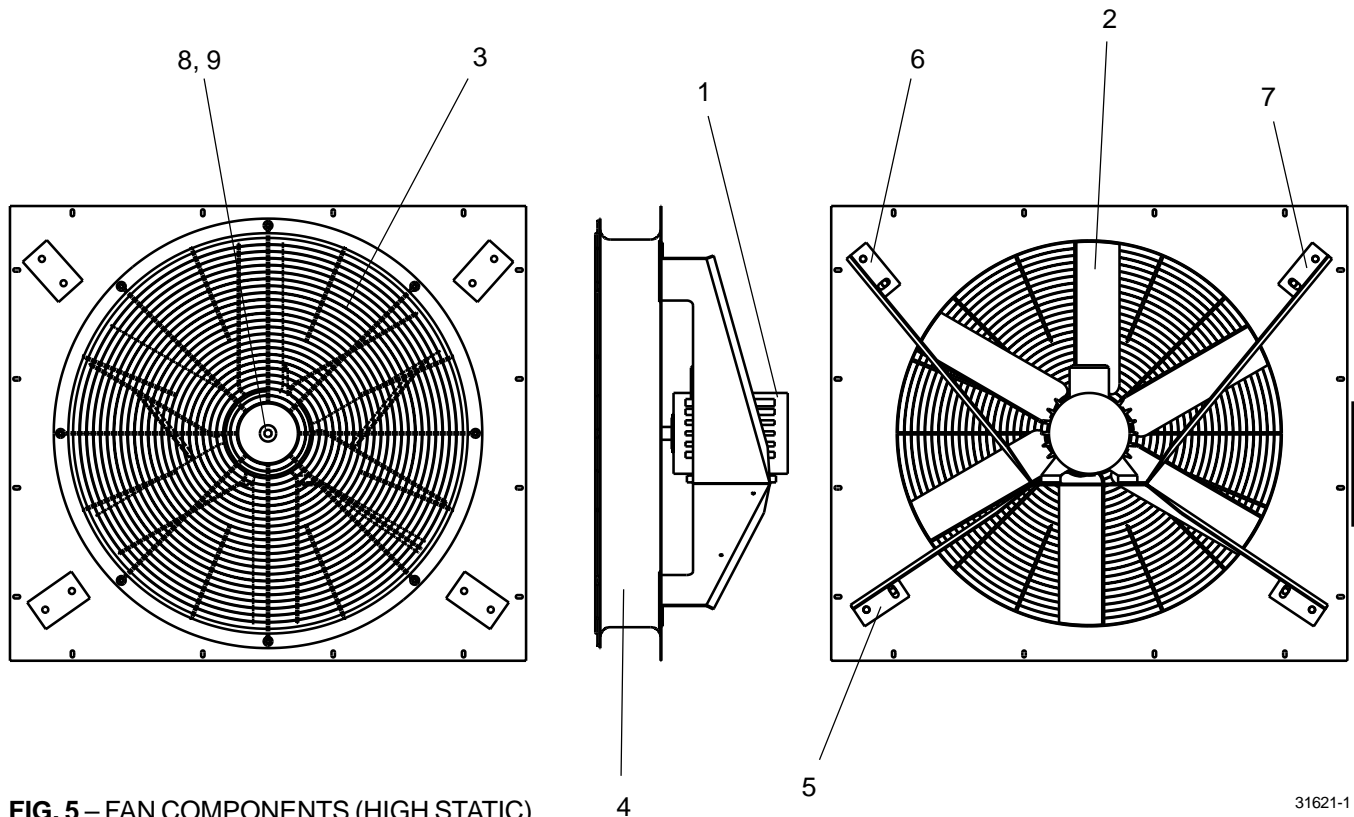


FIG. 5 – FAN COMPONENTS (HIGH STATIC)

31621-1

Service Note: Pin Location 52 in Model Number will be “H” for High Static Fan. See page 4.

TABLE 5 – FAN COMPONENTS (HIGH STATIC)

ITEM NUMBER	DESCRIPTION	VOLTAGE CODE	FANTYPE
			HIGH HEAD 1 3/8" Ø SHAFT, 1150 rpm
1 ^s	Motor 5 HP (Wt. = 127 LBS.)	-50	024-24604-001
2 ^s	Blade	All	026-36902-000 30°
3	Guard	All	026-35605-000
4	Orifice	All	026-36141-000
5	Support, Motor, Lower	All	075-31616-000
6	Support, Motor, Right	All	075-31615-000
7	Support, Motor, Left	All	075-31614-000
8	Spacer, Fan Motor	All	075-29007-000
9	Screw, Cap	All	021-18494-000

^s = Recommended Spare Parts

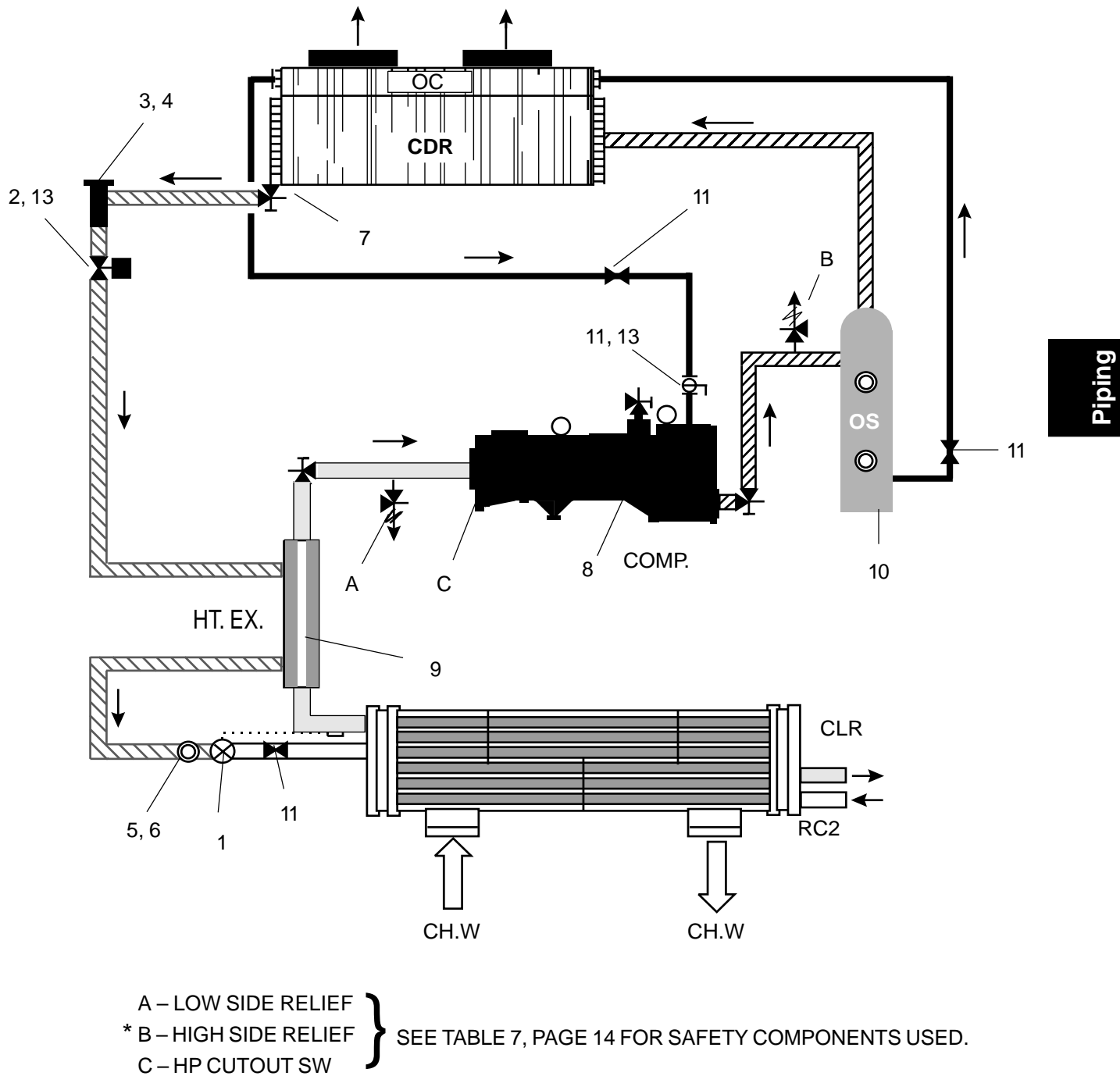
Service Note: Fan Hub to Shaft Joint should be sealed with protective coating - factory uses RUST VETO 344 - a solvent type, rust preventative coating.

REFRIGERANT AND OIL PIPING COMPONENTS

TABLE 6 – REFRIGERANT PIPING COMPONENTS AND OIL PIPING COMPONENTS
(SEE FIGS. 6, 7 AND 8, PAGES 11, 12 AND 13)

ITEM NO.	QTY PER UNIT	DESCRIPTION	SYSTEM	YCAS0685	YCAS0775	YCAS0835	YCAS0905	YCAS0965
1 ^s	1	Valve, Thermal Exp.- Cooler	1	025-34559-020	025-34560-020	025-34559-010	025-34559-010	025-34559-010
	1		2	025-34558-020	025-34560-010	025-34560-010	025-34559-010	025-34559-010
	1		3	025-34558-020	025-34560-010	025-34560-020	025-34559-020	025-34559-020
2	3	Valve, Solenoid, Liq. Line	All	025-33704	025-33704	025-33704	025-33704	025-33704
3	3	Dehydrator, Body (Replaceable Core)	All	026-21055	026-21055	026-21055	026-21055	026-21055
4 ^s	3	Dehydrator Core	All	026-37540	026-37540	026-37540	026-37540	026-37540
5	3	Moisture Indicator, Body	All	026-37545	026-37545	026-33545	026-37545	026-37545
6	3	Moisture Indicator, Sight Glass Cap Assembly	All	026-37547	026-37547	026-37547	026-37547	026-37547
7	3	Valve, Liquid Stop	All	022-09778	022-09778	022-09778	022-09778	022-09778
8	6	Valve, Charging 3/8"	All	All Models – 022-09754-000				
9	3	Heat Exchanger	All	375-32135	375-32135	375-32135	375-32135	375-32135
10	2 per circuit*	Oil Separator	Right Side Left Side	All Models - Right Side: 075-23738-002 All Models - Left Side: 075-23738-001				
11	6	Valve, Ball, Oil Line	All	022-09172	022-09172	022-09172	022-09172	022-09172
12	3	Sensor, Oil Temp.	All	All Models: 025-30440-000				
13 ^s	3	Coil, Solenoid Fits Items 2 & 11	All	Sporlan – 025-35151-000; Alco – 025-35152-000				

REFRIGERANT AND OIL PIPING COMPONENTS - CONT'D CHILLER MODEL YCAS – STYLE F



* Available on CE (European Manufactured) Units, or Units With Optional Chicago Relief Valves

FIG. 6 – REFRIGERANT PIPING LAYOUT (REF. TABLE 6, PAGE 10)

REFRIGERANT AND OIL PIPING COMPONENTS - CONT'D

CHILLER MODEL YCAS – 407C

Piping

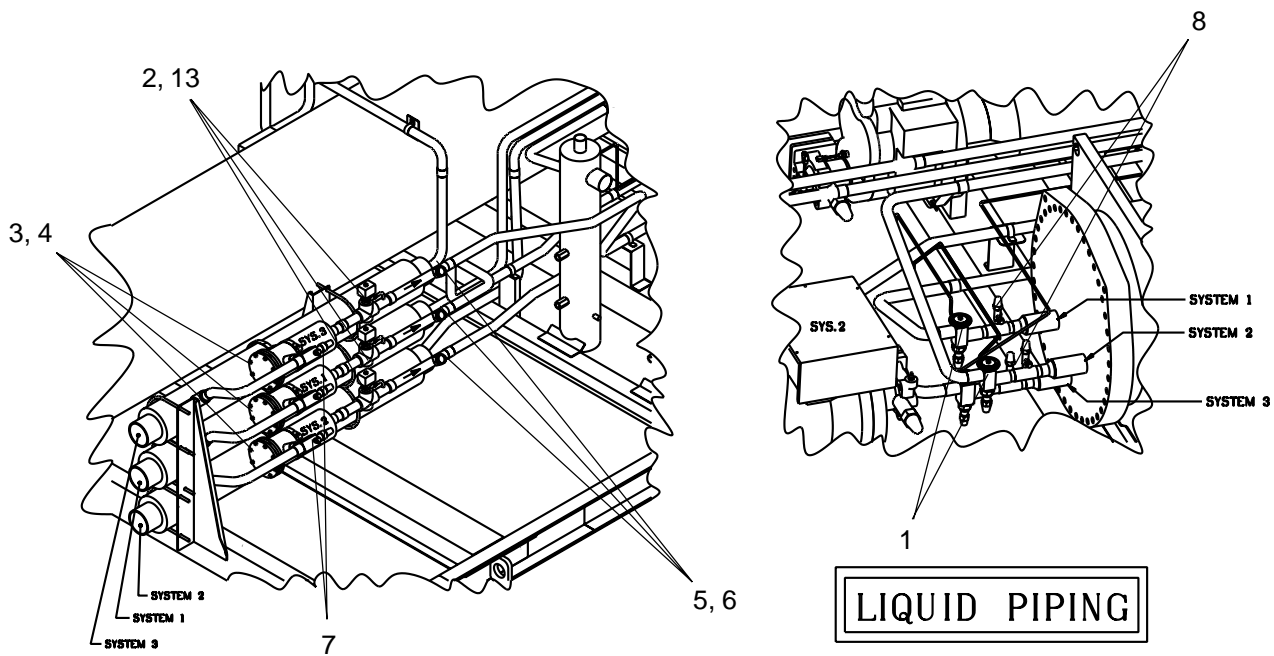
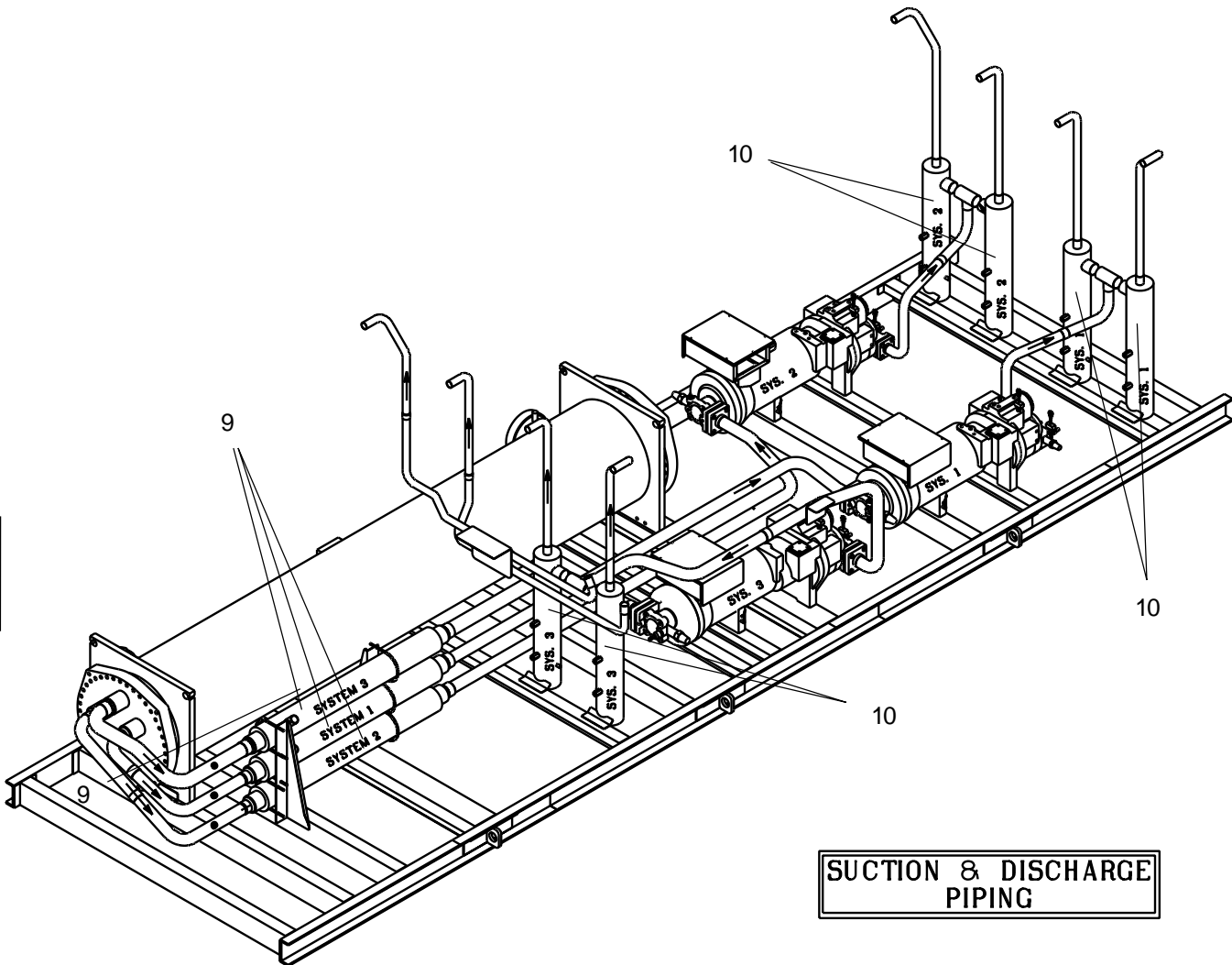


FIG. 7 – REFRIGERANT AND OIL PIPING COMPONENTS (REF. TABLE 6, PAGE 10)

RELIEF VALVES AND HP CUTOUT SWITCH

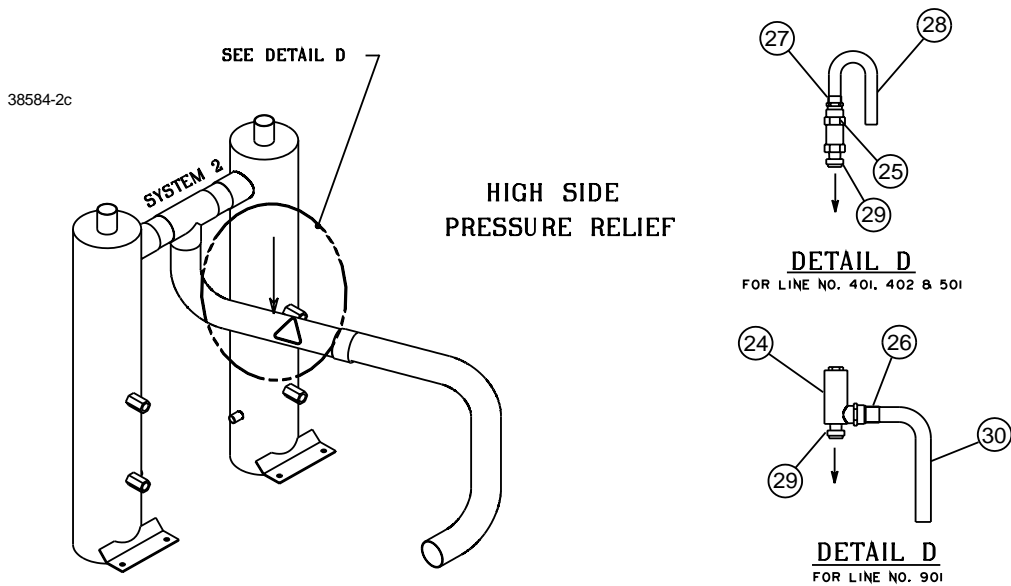
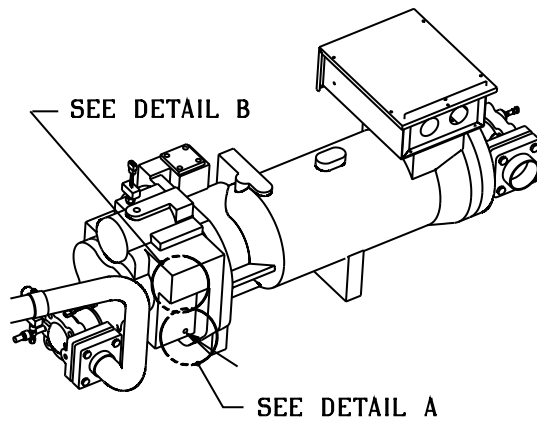


FIG. 9 – RELIEF VALVES AND HP CUTOUT SWITCH (REF. TABLE 7, PAGE 14)

TABLE 7 – RELIEF VALVES AND HP CUTOUT SWITCH (SEE FIG. 9 AND 10, PAGES 14 AND 15)

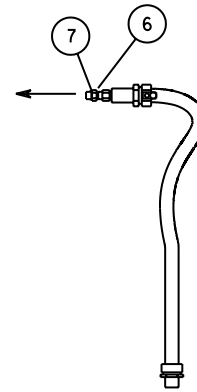
ITEM	QUANTITY /CHILLER	DESCRIPTION	APPLICATION	ALL MODELS
1	3	High Side Relief Valve, 405 PSIG	-901	022-08863-000
	3	High Side Relief Valve	-001 & -401	022-10045-000
	3	High Side Relief Valve	-501	022-09803-000
2	3	Tube for 022-08863-000	-901	075-30993-000
	3	Tube for 022-10045-000	-001 & -401	375-30919-000
	3	Tube for 022-09803-000	-501	075-31211-000
3	3	Adapter for 022-09803-000	-501	023-00124-000
4	3	Valve, Stop	-501	022-09802-000
5	3	Adapter for 022-08863-000	-901	075-31211-000
6	3	Adapter	-001	023-18087-000
7	3	O-Ring, 3-904	All	028-13540-000
8	3	Adapter	-401, -501 & -901	023-18092-000
9	3	Tee for 10/11	All	023-00972-000
10	3	HP Sw, Man Reset 27.9 Bar	All	025-34119-000
11	3	HP Sw, Man Reset 27.2 Bar	All	025-34120-000
24	3	High Side Relief Valve, Angle V 31 Bar	-901	022-09754-000
25	3	High Side Relief Valve, 405 PSIG	-401 & -501	022-08863-000
26	3	Adapter	-901	023-00094-000
27	3	Adapter	-401 & -501	023-00124-000
28	3	Tube	-901	075-30992-000
29	3	Button, Brass	All	075-28519-000
30	3	Tube	-401 & -501	075-30993-000

RELIEF VALVES AND HP CUTOUT SWITCH - CONT'D

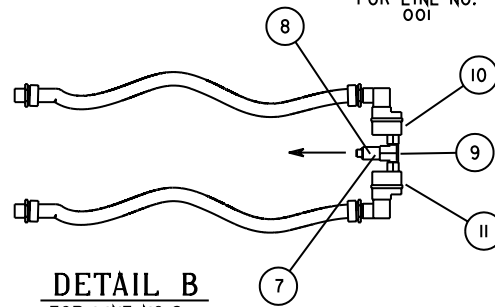


HIGH PRESSURE CUT-OUT SWITCH

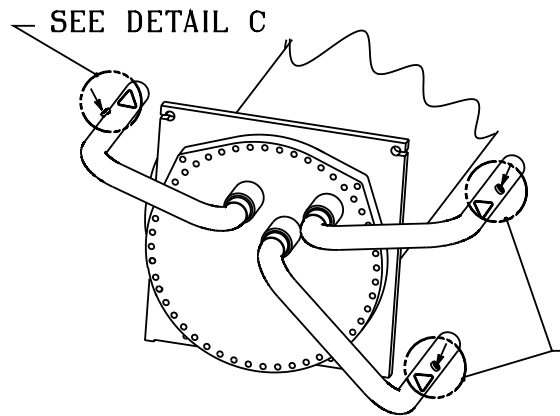
LINE NUMBER APPLICATIONS		
LINE NUMBER	APPLICATION	P.I.N. POS.42
-001	ASME	A
-401	FRENCH	F
-501	ITALIAN	I
-901	GERMAN	T



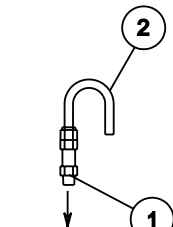
DETAIL A
FOR LINE NO.
001



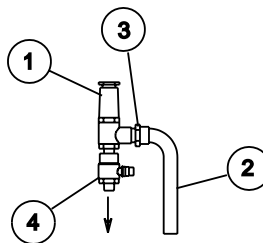
DETAIL B
FOR LINE NO'S.
401, 402, 501 & 901



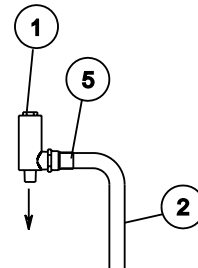
LOW SIDE PRESSURE RELIEF



DETAIL C
FOR LINE NO'S.
001, 401 & 402



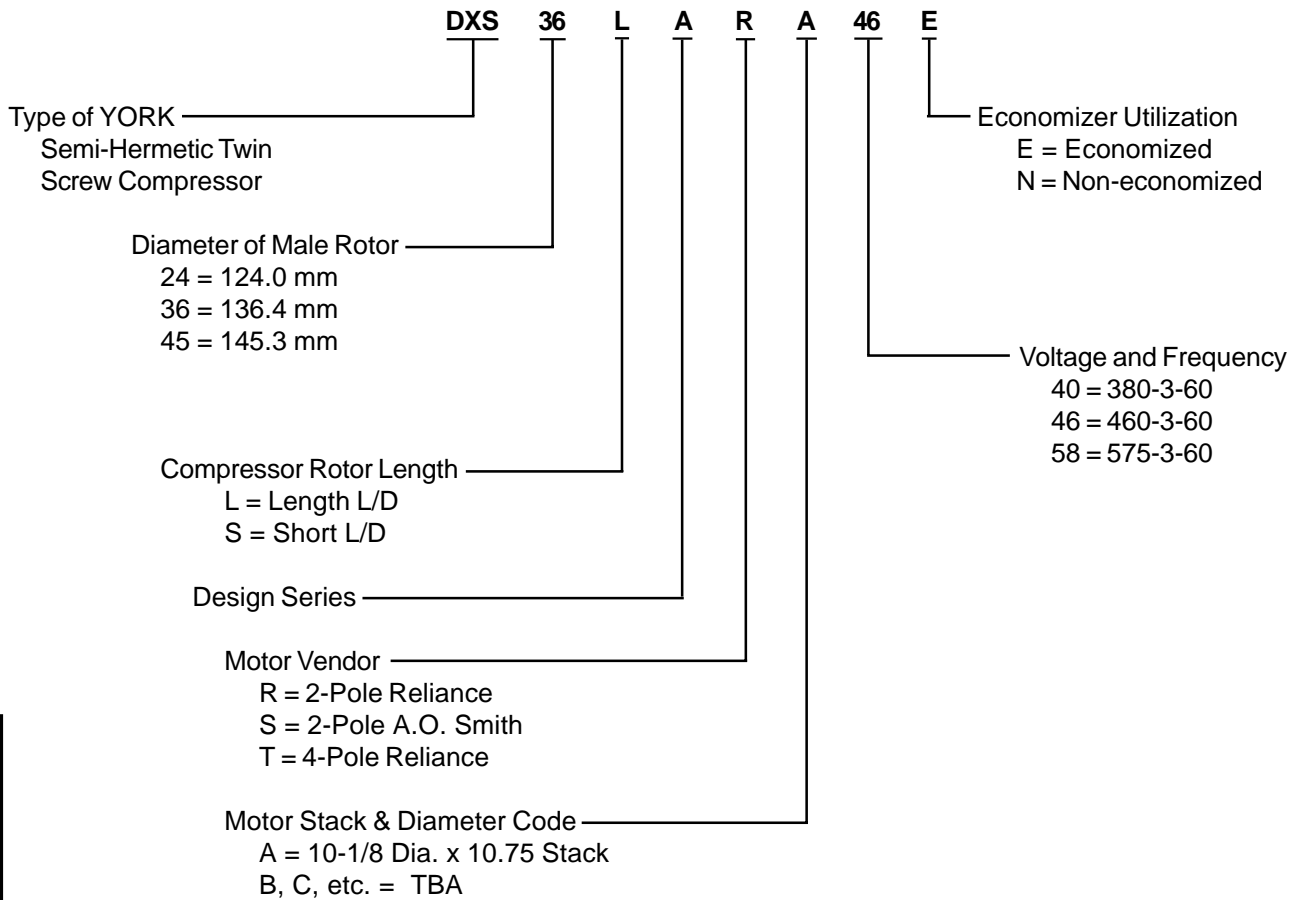
DETAIL C
FOR LINE NO. 501



DETAIL C
FOR LINE NO. 901

FIG. 10 – RELIEF VALVES AND HP CUTOUT SWITCH (REF. TABLE 7, PAGE 14)

COMPRESSOR MODEL NOMENCLATURE



Compressor

COMPRESSOR WEIGHTS		
MM SIZE	WEIGHT (LBS)*	Kg
124	1175	533
136	1250	567
145	1310	594

* LESS SERVICE VALVES

- Compressor Isolator Pad Kit
(Reduces sound and vibration)
475-37845-000 one kit per each compressor
(Became standard mid 2000)

Note: Compressor feet hold-down bolts, tightened from the underside of the frame rails, must be removed when the isolator pad kit is installed. These bolts should also be removed at start-up.

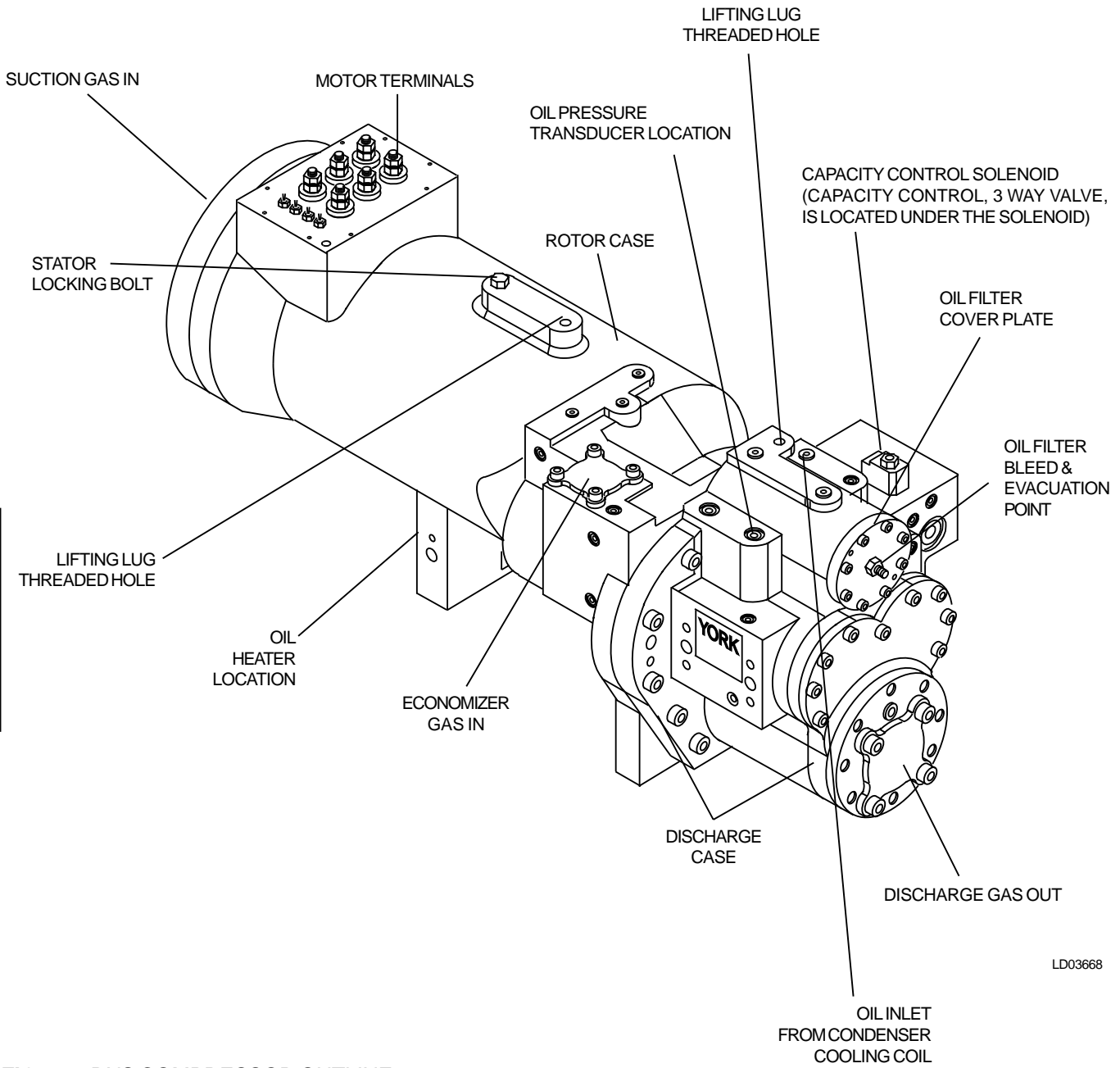
MODEL DXS COMPRESSOR PART NUMBERS

UNIT	VOLTAGE CODE	MM SIZE			COMPRESSOR		
		SYS 1	SYS 2	SYS 3	SYSTEM # 1	SYSTEM # 2	SYSTEM # 3
YCAS0685	-50	124	124	145	364-49095-215	364-49095-215	364-49094-215
YCAS0775	-50	136	136	136	364-49093-215	364-49093-215	364-49093-215
YCAS0835	-50	145	145	136	364-49094-215	364-49093-215	364-49093-215
YCAS0905	-50	145	145	145	364-49094-215	364-49094-215	364-49094-215
YCAS0965	-50	145	145	145	364-49094-215	364-49094-215	364-49094-215

Compressor Change Out Gasket Kit – ALL Models – 464-49737-000 (Includes gaskets and o-rings)

Note: The -200 series compressors come with an economizer plug that must be removed in economized circuits. The -200 series compressors replace both the -000 (Non-Economized) and -100 (Economized) series compressors.

DXS COMPRESSOR COMPONENTS



LD03668

FIG. 11 – DXS COMPRESSOR OUTLINE

Compressor

DXS COMPRESSOR COMPONENTS / RELATED PARTS

TABLE 8 – COMPRESSOR ASSEMBLY (SEE FIG. 12, PAGE 20)

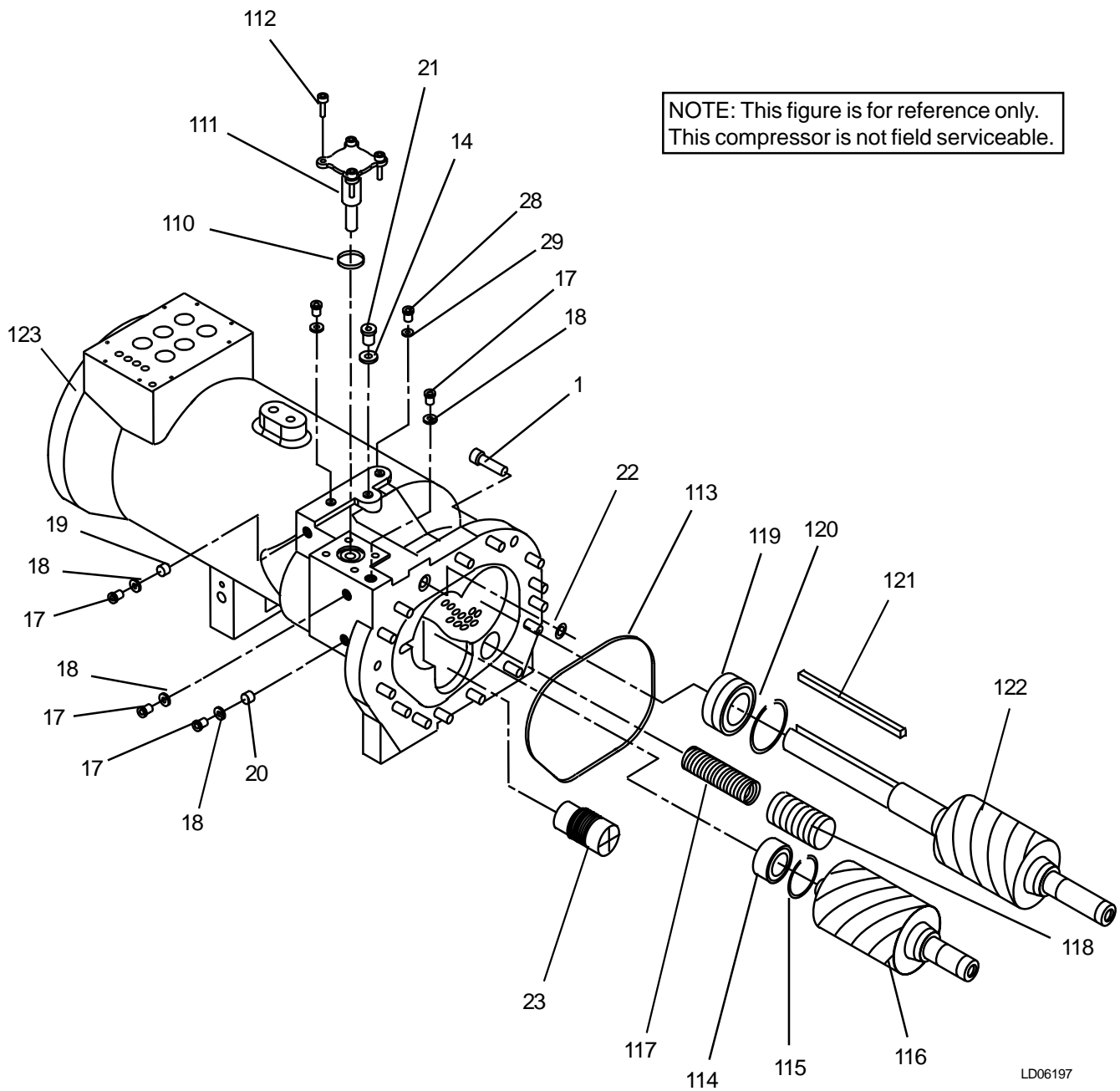
ITEM NO.	PART DESCRIPTION	PART NUMBER
1	SCREW, SOCKET HD. CAP - M16 x 65mm LG.	021-19108-000
14	O-RING 3 - 908	028-13856-000
17	PLUG - HOLLOW HEX 9/16"	023-18922-000
18	O-RING 3 - 906	028-13855-000
19	PLUG - 0.032 ORIFICE	029-22716-000
20	PLUG - 0.093 ORIFICE	029-22717-000
21	PLUG, HOLLOW HEX - 3/4"	023-18923-000
22	O-RING 2 - 015	028-13858-000
23	VALVE, INTERNAL PRESSURE RELIEF	022-09711-000
25	PLUG - HOLLOW HEX 7/16"	023-18921-000
26	O-RING 3 - 904	028-13854-000
110	O-RING 2 - 138	028-13963-000
111	PLATE, VALVE COVER	064-50003-000
112	SCREW, SOCKET HD. CAP - M12 x 35mm LG.	021-30148-000
113	O-RING 2 - 278	028-13853-000
114	BEARING, FEMALE INLET	029-22704-000
115	RETAINING RING, FEMALE ROTOR	029-22721-000
116	ROTOR, FEMALE (124MM)	064-48976-000
	ROTOR, FEMALE (136MM)	064-48971-000
	ROTOR, FEMALE (145MM)	064-48974-000
117	SPRING, CAPACITY CONTROL	028-00738-000
118	PISTON, CAPACITY CONTROL	064-49128-000
119	BEARING, MALE INLET	029-22702-000
120	RETAINING RING, MALE ROTOR	029-22720-000
121	KEY, MOUNTING	029-22701-000
122	ROTOR, MALE (124MM)	064-48975-000
	ROTOR, MALE (136MM)	064-48972-000
	ROTOR, MALE (145MM)	064-48973-000
123	CASE, DISCHARGE (124MM)	064-48989-000
	CASE, DISCHARGE (136MM)	064-48989-000
	CASE, DISCHARGE (145MM)	064-49097-000

**TABLE 8A – COMPRESSOR OIL AND FILTER COMPONENTS
(SEE FIG. 12, PAGE 20)**

ITEM NO.	QTY PER COMP	DESCRIPTION	MODEL YCAS0360 - YCAS0440
34 ^S	1	FILTER,OIL	026-35601-000
35 ^S	1	O-RING	028-13849-000
OIL ^S	5 GAL	OIL, TYPE L POE	011-00592-000

^SRecommended Spare Part

DXS COMPRESSOR COMPONENTS / RELATED PARTS - CONT'D

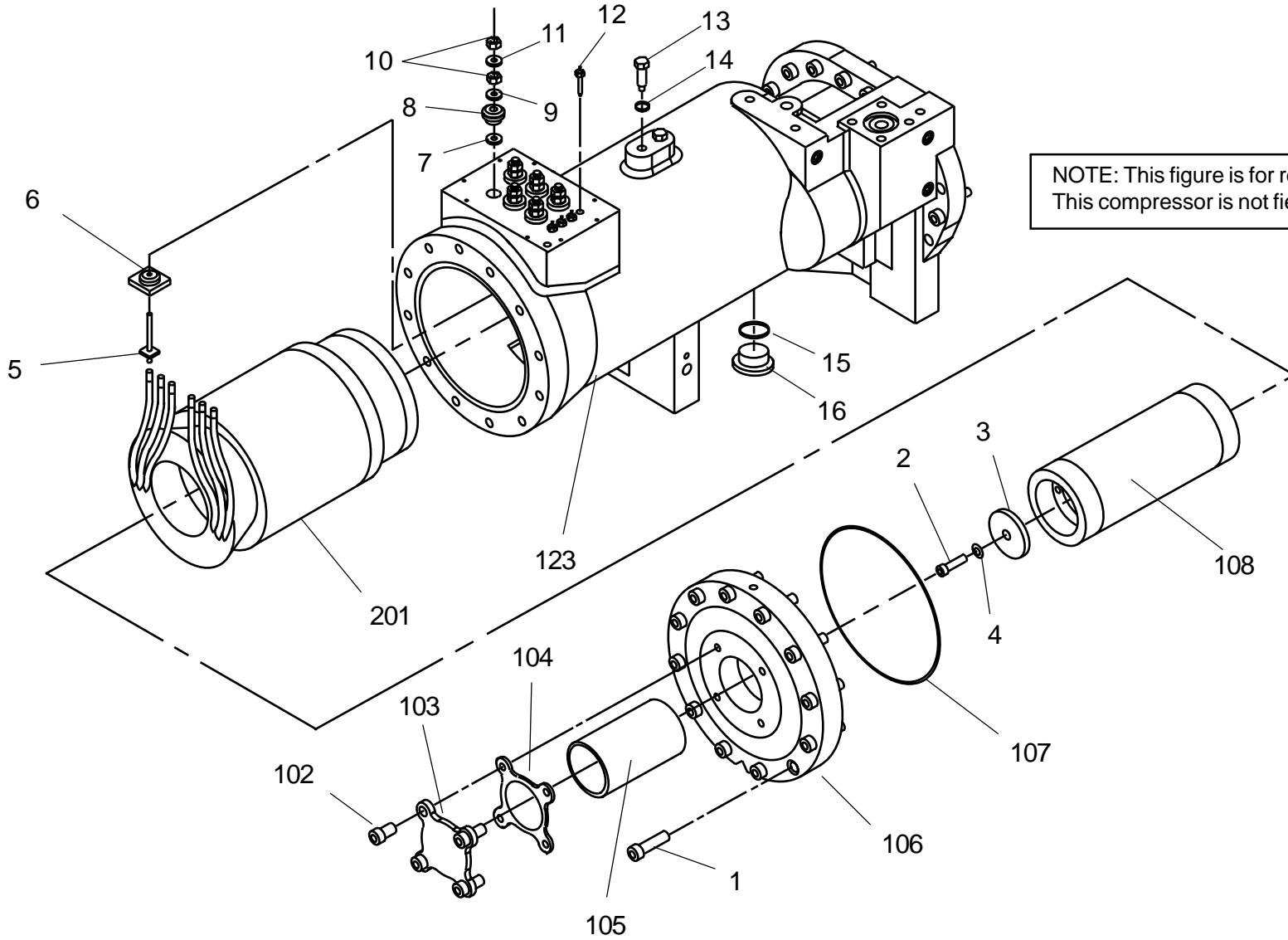


NOTE: This figure is for reference only.
This compressor is not field serviceable.

Compressor

FIG. 12 – DXS COMPRESSOR PARTIAL EXPLODED VIEW (REF. TABLE 8, PAGE 19)

DXS COMPRESSOR COMPONENTS / RELATED PARTS - CONT'D



NOTE: This figure is for reference only.
This compressor is not field serviceable.

LD06199

FIG. 13 – COMPRESSOR COMPONENTS - 145 MM COMPRESSOR SHOWN (REF. TABLE 9, PAGE 23 AND 24)

DXS COMPRESSOR COMPONENTS / RELATED PARTS - CONT'D

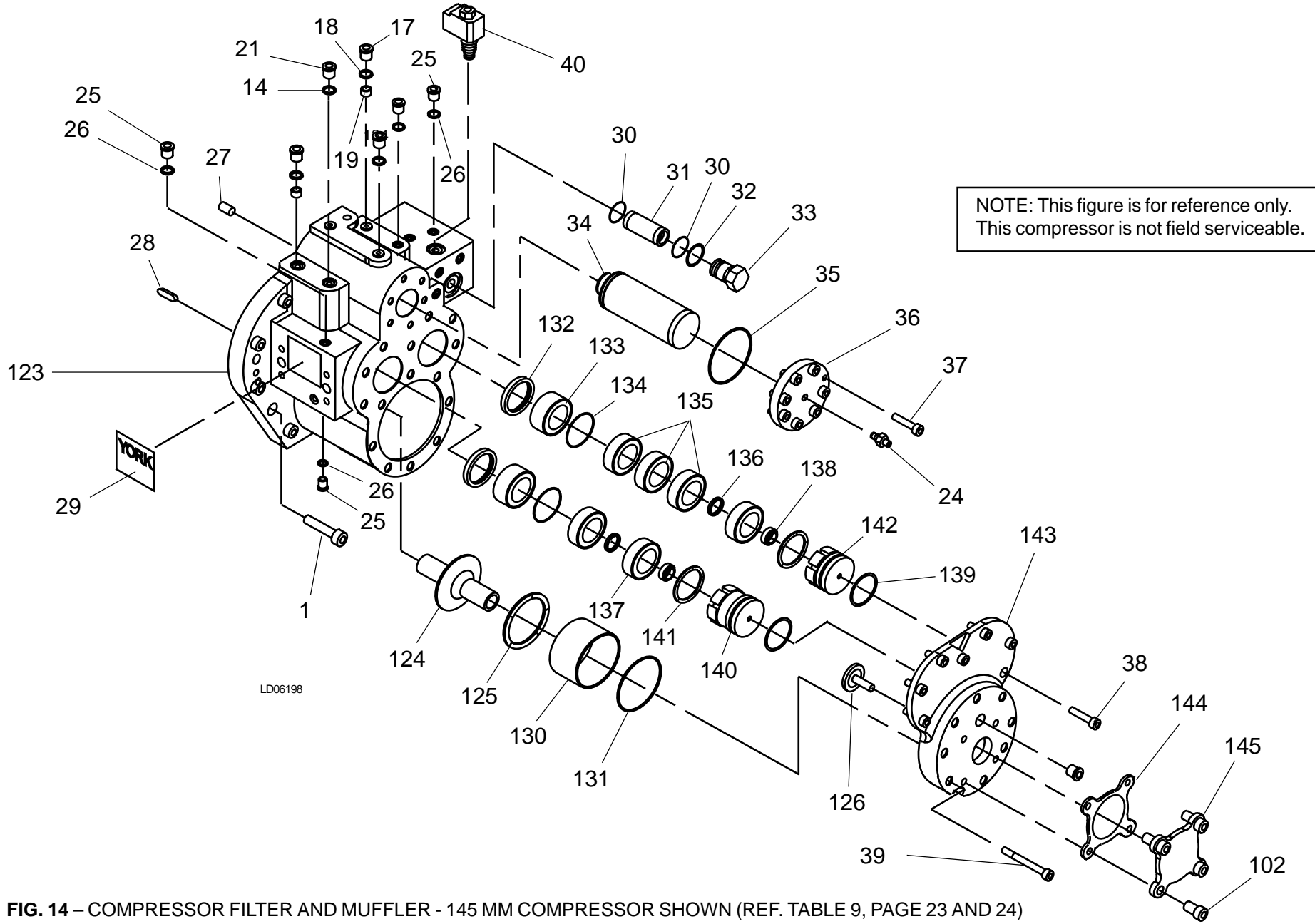


FIG. 14 – COMPRESSOR FILTER AND MUFFLER - 145 MM COMPRESSOR SHOWN (REF. TABLE 9, PAGE 23 AND 24)

DXS COMPRESSOR COMPONENTS / RELATED PARTS - CONT'D**TABLE 9 – COMPRESSOR ASSEMBLY (SEE FIGS. 13 AND 14, PAGES 21 AND 22)**

ITEM NO.	PART DESCRIPTION	PART NUMBER
1	SCREW, SOCKET HD. CAP - M16 x 65mm LG.	021-19108-000
2	SCREW, SOCKET HD. CAP - M12 x 45mm LG.	021-19116-000
3	WASHER, LOCK - M12	021-19106-000
4	WASHER, CLAMP	064-48893-000
5	BOLT, TERMINAL	021-19104-000
6	INSULATOR, BOTTOM	025-33200-000
7	SEAL, TERMINAL	028-13946-000
8	INSULATOR, TOP	025-33201-000
9	WASHER, TERMINAL	021-19117-000
10	NUT, HEAVY HEX - 7/16" - 20UNF	021-19102-000
11	WASHER, LOCK - 7/16"	021-19619-000
12	THERMISTOR, 7/16" - 20UNF - 2A	025-33202-000
13	PIN, STATOR LOCKING	064-49954-000
14	O-RING 3 - 908	028-13856-000
15	PLUG, HOLLOW HEX - 1 7/8"	023-18926-000
16	O-RING 3 - 924	028-13865-000
17	PLUG - HOLLOW HEX 9/16"	023-18922-000
18	O-RING 3 - 906	028-13855-000
19	PLUG - 0.032 ORIFICE	029-22716-000
20	PLUG - 0.093 ORIFICE	029-22994-000
21	PLUG, HOLLOW HEX - 3/4"	023-18923-000
22	O-RING 2 - 015	028-13858-000
23	VALVE, INTERNAL PRESSURE RELIEF	022-09711-000
24	VALVE, ACCESS 7/16"	022-09715-000
25	PLUG, HOLLOW HEX - 7/16"	023-18921-000
26	O-RING 3 - 904	028-13854-000
27	PIN, DOWEL - 12mm x 40mm LG.	029-22713-000
28	PIN, DOWEL - 12mm x 40mm LG. SPEC.	029-22712-000
29	PLATE, DATA	029-22722-000
30	O-RING 2 - 023	028-13859-000
31	VALVE, OIL CONTROL	022-09710-000
32	O-RING 3 - 916	028-13857-000
33	PLUG, OIL RETURN VALVE	064-49135-000
34	ELEMENT, OIL FILTER	026-35601-000
35	O-RING 2 - 152	028-13849-000
36	COVER, OIL FILTER	064-49003-000
37	SCREW, SOCKET HD. CAP - M8 x 30mm LG.	021-19115-000
38	SCREW, SOCKET HD. CAP - M10 x 45mm LG.	021-19112-000
39	SCREW, SOCKET HD. CAP - M10 x 60mm LG.	021-19113-000
40	VALVE, CAPACITY CONTROL	025-33205-000
102	SCREW, SOCKET HD. CAP - M16 x 30mm LG.	021-19118-000
103	PLATE, VALVE COVER	064-49009-000
104	GASKET, 3 1/2"	028-13864-000
105	STRAINER, SUCTION	026-35600-000

DXS COMPRESSOR COMPONENTS / RELATED PARTS - CONT'D

TABLE 9 (CONT'D) – COMPRESSOR ASSEMBLY (SEE FIGS. 13 AND 14, PAGES 21 AND 22)

ITEM NO.	PART DESCRIPTION	PART NUMBER
106	COVER, SUCTION	064-49198-000
107	O-RING 2 - 276	028-13852-000
108	MOTOR, ROTOR	024-30470-000
109	CASE, ROTOR/MOTOR	064-49120-000
111	PLUG, ECONOMIZER	064-50003-000
114	BEARING, FEMALE INLET	029-22704-000
115	RETAINING RING, FEMALE ROTOR	029-22721-000
116	ROTOR, FEMALE (124MM)	064-48976-000
	ROTOR, FEMALE (136MM)	064-48971-000
	ROTOR, FEMALE (145MM)	064-48974-000
117	SPRING, CAPACITY CONTROL	028-00738-000
118	PISTON, CAPACITY CONTROL	064-49128-000
119	BEARING, MALE INLET	029-22702-000
120	RETAINING RING, MALE ROTOR	029-22720-000
121	KEY, MOUNTING	029-22701-000
122	ROTOR, MALE (124MM)	064-48975-000
	ROTOR, MALE (136MM)	064-48972-000
	ROTOR, MALE (145MM)	064-48973-000
123	CASE, DISCHARGE (124MM)	064-48989-000
	CASE, DISCHARGE (136MM)	064-48989-000
	CASE, DISCHARGE (145MM)	064-49097-000
124	ORIFICE, MUFFLER	064-49516-000
125	SPRING, MUFFLER PRELOAD	029-22904-000
126	BUTTON, CHECK VALVE	064-49504-000
130	SPACER, MUFFLER	064-49513-000
131	O-RING 2 - 161	028-13851-000
132	SEAL, LIP	028-13860-000
133	BEARING, RADIAL	029-22723-000
134	SHIM, SPACER	029-22992-000
135	BEARING, THRUST	029-22724-000
136	SHIM, REVERSE THRUST SPACER	029-22719-000
137	BEARING, REVERSE THRUST	029-22707-000
138	NUT, BEARING CLAMP	021-19120-000
139	O-RING 2 - 154	028-13867-000
140	SLEEVE, FEMALE ROTOR BEARING SPACER	064-49130-000
141	SPRING, BEARING PRELOAD	029-22708-000
142	SLEEVE, MALE ROTOR BEARING SPACER	064-49131-000
143	COVER, DISCHARGE	064-49005-000
144	GASKET, 3"	028-13863-000
145	PLATE, VALVE COVER	064-49008-000
201	MOTOR, STATOR -40	024-30469-004
	MOTOR, STATOR -46	024-30469-005
	MOTOR, STATOR -58	024-30469-006

Compressor

COMPRESSOR AND CONTROL COMPONENTS

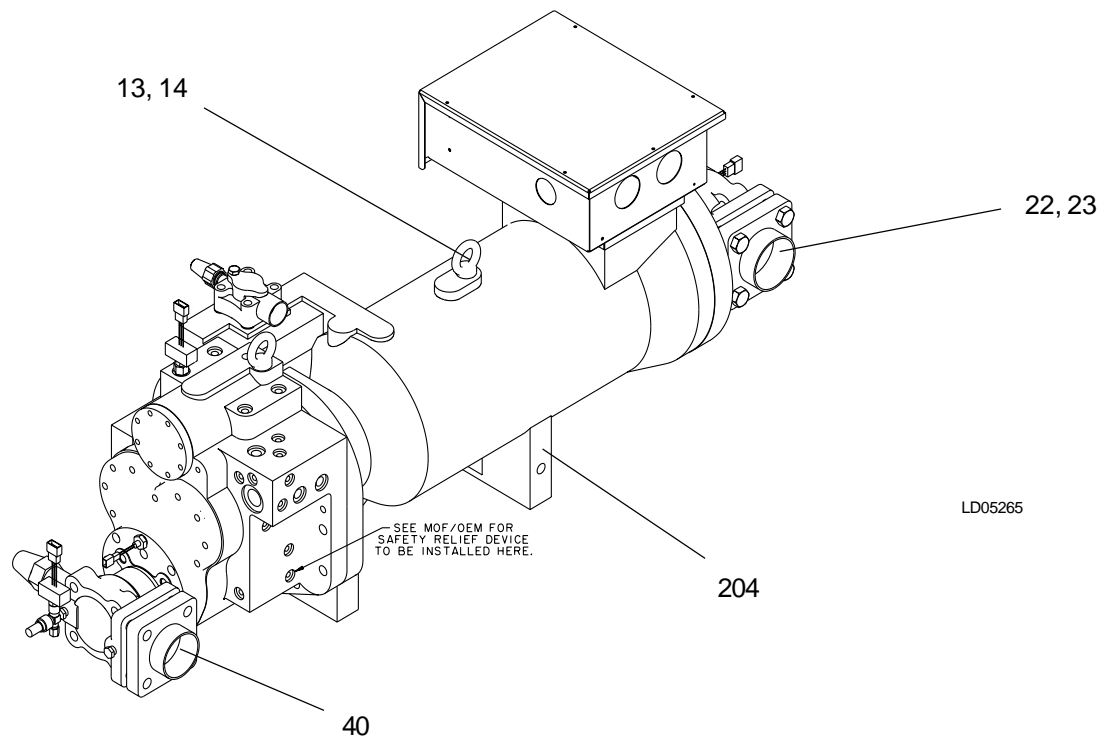
TABLE 10 – COMPRESSOR AND CONTROL COMPONENTS (SEE FIG. 15)

ITEM NUMBER	QUANTITY	SYSTEM	DESCRIPTION	VOLTAGE CODE	PART NUMBER
13	2	1, 2 and 3	Lock Pin, Stator, EC 1099	ALL	064-49129-000
14	2	1, 2 and 3	O-ring, Lock Pin	ALL	028-13856-000
40 ^s	2	1, 2 and 3	Valve, Capacity Control	ALL	025-33205-000
204	1	1, 2 and 3	Heater, Compressor (124mm)	120V	025-32938-000
			Heater, Compressor (136mm)	120V	025-34511-000
			Heater, Compressor (145mm)	120V	025-32938-000

^s Recommended Spare Part

TABLE 11 – COMPRESSOR STOP VALVES AND GASKETS (SEE FIG. 15)

COMPRESSOR	LOCATION	DESCRIPTION	VALVE (ITEM #22)	GASKET (ITEM #23)
124mm	Suct.	Stop Valve - 2 5/8	022-09777-001	028-13863-000
	Disc.	Stop Valve - 2 1/8	022-01393-001	028-13902-000
	Econ.	Stop Valve - 1 3/8	022-03727-002	028-13862-000
136mm	Suct.	Stop Valve - 3 5/8	022-02845-001	028-13864-000
	Disc.	Stop Valve - 2 5/8	022-09777-001	028-13863-000
	Econ.	Stop Valve - 1 3/8	022-03727-002	028-13862-000
145mm	Suct.	Stop Valve - 3 5/8	022-02845-001	028-13864-000
	Disc.	Stop Valve - 2 5/8	022-09777-001	028-13863-000
	Econ.	Stop Valve - 1 3/8	022-03727-002	028-13862-000



Compressor

FIG. 15 – COMPRESSOR AND CONTROL COMPONENTS (REF. TABLES 10 AND 11)

CONTROL PANEL COMPONENTS

TABLE 12 – CONTROL PANEL COMPONENTS (SEE FIGS. 16 AND 17, PAGES 27 AND 28)

ITEM NO.	QUANTITY	DESCRIPTION	PART NO.	NOTE
1	1	Door For Micro-Compartment	RAM-201704	2-Piece Bolted Control/Option Panel
	1	Door for Options Compartment	RAM-201733	
1	1	Door For Micro-Compartment	071-03616-000	1-Piece Control/Option Panel
	1	Door For Options Compartment	071-03617-000	
2 ^s	1	MicroBoard	031-01095-002	115V / 24V
3 ^s	1	Power Supply Board	031-01094-000	
4 ^s	2	Relay Circuit Board	031-01093-000	
5	1	Transformer, Control 2T	025-27911-000	
6	1	Kit, Terminal Block	025-33760-000	
7	1	Kit, Terminal Block	025-33761-000	
8	2	Catch, Magnetic (Not Shown)	029-20878-000	
9	22	Screw, Tap Thread	021-13789-000	
10	1	Tag, Identification	035-15183-000	
11	28	Nut, Expansion	021-14661-000	
12	28	Screw, Tap Thread	021-14667-000	
13	4	Lockwasher, TH Int 3/8	021-01155-000	
14	4	Nut, Hex 3/8-16 UNC-2B	021-00467-000	
15	3	Circuit Breaker, 6A	024-30913-000	
16	24	Nut/Washer Assembly (KEPS)	021-18024-000	
17	2	Strap, Cable	025-18167-000	
18	1	Transformer, Control 3T	025-18452-000	
19	22	Screw, Tap, Pan Head	021-13789-000	115V / 24V
20	4	Lockwasher, Hel. Spring,	021-17576-000	
21	4	Nut, Hex	021-10056-000	
22	2	Switch, On/Off	024-25517-000	
23	1	Display	031-01110-000	
24	1	Ribbon Cable	071-02253-251	
25	4	Ribbon Cable	071-02253-252	
26	1	Ribbon Cable	071-02253-253	
27	3	Clamp, Ribbon Wire	025-25156-000	
28	1	Transformer, Control 4T	025-30889-000	
29	4	Spacer, Nylon	021-17575-000	
30	1	Harness, Hinged Panel	571-01226-211	
31	1	Harness, Main Panel	571-02253-201	
32	1	Connector, Cable Strap	025-08301-000	
33	1	Relay, Control	024-25598-000	
34	1	EPROM (Use with I/O Board)	031-01798-002	
35	1	Label, Caution	035-15989-000	
36	1	Label, Warning	035-11929-000	
37	2	Connector, Cable Strap	025-12282-000	
38	1	I/O Expansion Board	031-01788-000	
39	1	Ribbon Cable	071-02253-254	
40	Varies	Plug, 6 Pin (Microboard)	025-28382-000	See Page 30
41	Varies	Plug, 9 Pin (Microboard)	025-28383-000	
42	Varies	Plug, 12 Pin (Microboard)	025-28384-000	
43	Varies	Socket, Wire End	025-28386-000	Use with Plugs 40, 41, 42
44	1	Keypad	024-30910-000	
45	1	Smart I/O Expansion Board	031-01793-001	
46	1	EPROM (Use with Smart I/O Board)	031-02018-001	

s Recommended Spare Part

Control Panel

CONTROL PANEL COMPONENTS - CONT'D

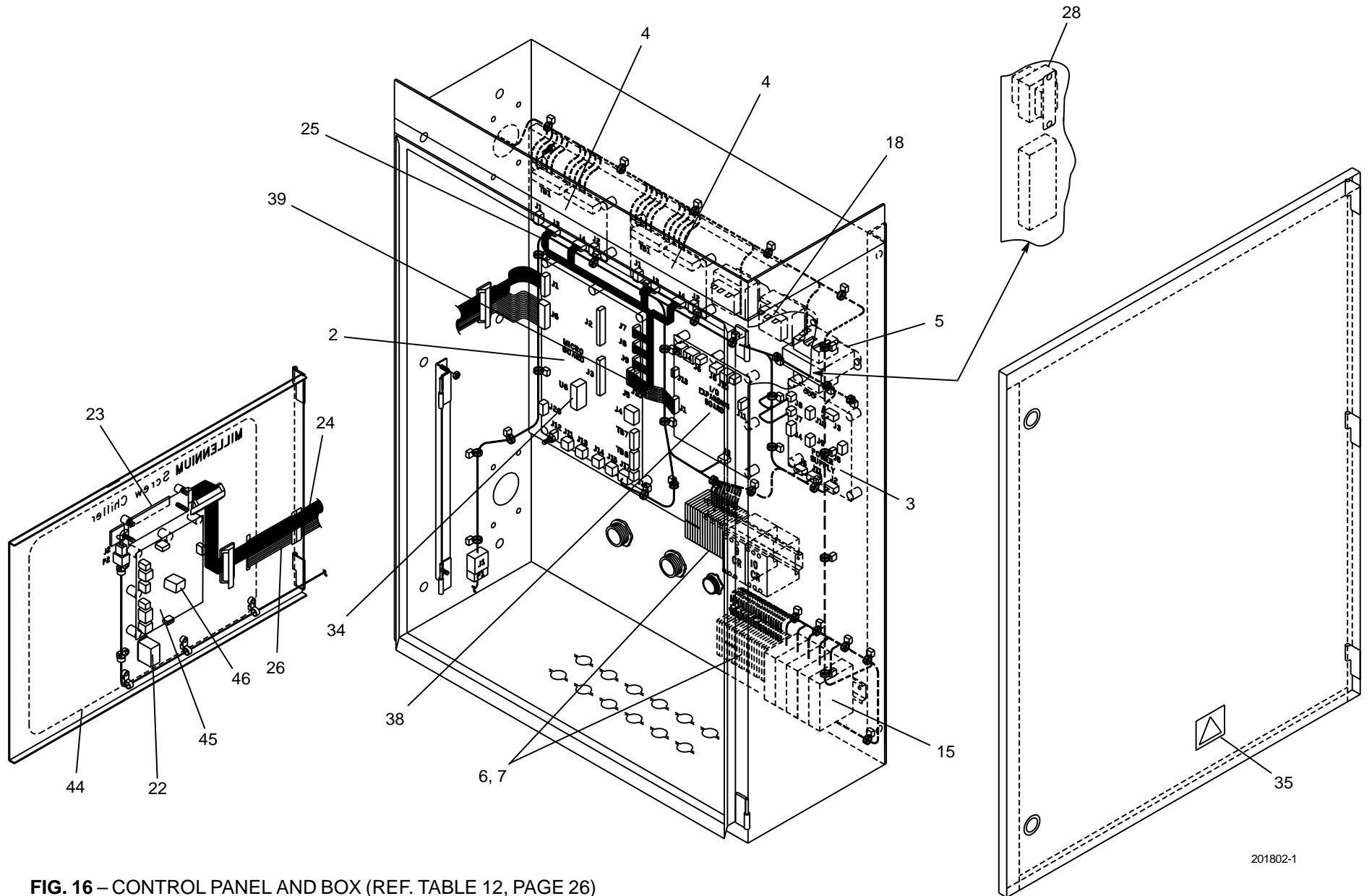


FIG. 16 – CONTROL PANEL AND BOX (REF. TABLE 12, PAGE 26)

201802-1

Control Panel

CONTROL PANEL COMPONENTS - CONT'D

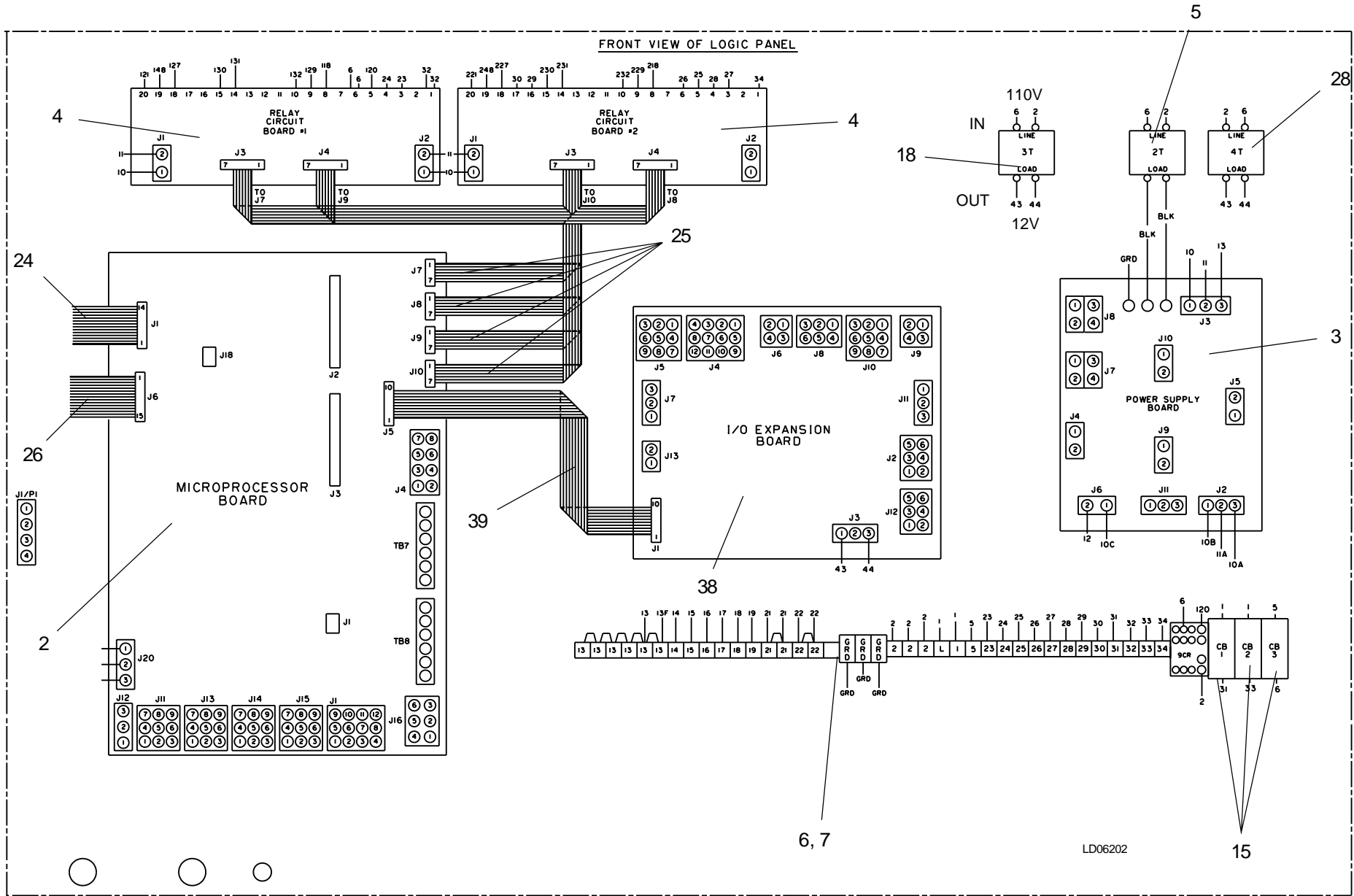


FIG. 17 – CONTROL PANEL CONNECTION DIAGRAM (REF. TABLE 12, PAGE 26)

LD06202

SENSOR HARNESS

TABLE 13 – SENSOR HARNESS WIRING (SEE FIGS. 19 AND 20, PAGES 31 AND 32)

BOARD LOCATION	CABLE ITEM NO.	CABLE NO.	WIRE COLOR	PLUG PIN NO.	FUNCTION	HARNESS ASSEMBLY PART NUMBER
MICRO P13	104	1	RED	4	SYS #1 SUCTION PRESSURE	371-02504-211
			BLK	1		
			WHT	7		
			DRAIN	2		
	106	2	RED	5	SYS #1 OIL PRESSURE	371-02504-213
			BLK	3		
WHT			8			
DRAIN			9			
MICRO P14	105	3	RED	4	SYS #2 SUCTION PRESSURE	371-02504-212
			BLK	1		
			WHT	7		
			DRAIN	2		
	107	4	RED	5	SYS #2 OIL PRESSURE	371-02504-214
			BLK	3		
WHT			8			
DRAIN			9			
MICRO P11	120	5	RED	7	LEAVING CHILLED WATER	371-02504-236
			BLK	4		
			DRAIN	1		
	121	6	RED	8	ENTERING CHILLED WATER	371-02504-237
			BLK	5		
			DRAIN	2		
122	7	RED	9	OUTSIDE AIR TEMP.	371-02504-238	
		BLK	6			
		DRAIN	3			
MICRO P15	109	9	RED	4	SYS #2 DISCH. PRESSURE	371-02504-216
			BLK	1		
			WHT	7		
			DRAIN	2		
	108	8	RED	5	SYS #1 DISCH. PRESSURE	371-02504-215
			BLK	3		
WHT			8			
MICRO P16	116	10	RED	5	SYS #1 SUCTION TEMP.	371-02504-231
			BLK	6		
			DRAIN	1		
	117	11	RED	2	SYS #2 SUCTION TEMP.	371-02504-232
			BLK	4		
			DRAIN	3		
I/O P10	100	16	RED	4	SYS #1 OIL TEMP.	371-02504-201
			BLK	7		
			DRAIN	3		
	101	17	RED	5	SYS #2 OIL TEMP.	371-02504-202
			BLK	6		
			DRAIN	2		
I/O P8	118	12	RED	2	SYS #1 DISCH. TEMP.	371-02504-233
			BLK	4		
			DRAIN	1		
	119	13	RED	5	SYS #2 DISCH. TEMP.	371-02504-234
			BLK	6		
			DRAIN	3		
BOARD LOCATION	CABLE ITEM NO.	CABLE NO.	WIRE COLOR	PLUG PIN NO.	FUNCTION	HARNESS ASSY
I/O P2	129	31	RED (47)	1	SYS #1 SOLENOID VALVE	371-02253-253
			BLK (48)	2		
			DRAIN	6		
I/O P12	130	32	RED (49)	1	SYS #2 SOLENOID VALVE	371-02253-254
			BLK (50)	2		
			DRAIN	6		
I/O P2	133	54	RED (57)	1	SYS #3 SOLENOID VALVE	371-02253-263
			BLK (58)	2		
			DRAIN	6		
I/O P11	115	29	RED (49)	1	SYS #1 COOLER INLET REFRIG. TEMP. SENSOR (407c ONLY)	371-02253-230
			BLK (50)	2		
			DRAIN	6		
I/O P7	116	30	RED (49)	1	SYS #2 COOLER INLET REFRIG. TEMP. SENSOR (407c ONLY)	371-02253-231
			BLK (50)	2		
			DRAIN	6		

Control Panel

SENSOR HARNESS - CONT'D

TABLE 13 (CONT'D) – SENSOR HARNESS WIRING (SEE FIGS. 19 AND 20, PAGES 31 AND 32)

BOARD LOCATION	CABLE ITEM NO.	CABLE NO.	WIRE COLOR	PLUG PIN NO.	FUNCTION	HARNESS ASSEMBLY PART NUMBER
I/O 2 P4	110	40	RED	5	SYS #3 SUCTION PRESSURE	371-02504-221
			BLK	1		
			WHT	10		
			DRAIN	2		
	112	41	RED	6	SYS #3 OIL PRESSURE	371-02504-223
			BLK	3		
			WHT	11		
			DRAIN	4		
	114	44	RED	7	SYS #3 DISCHARGE PRESSURE	371-02504-225
			BLK	8		
			WHT	12		
			DRAIN	9		
I/O 2 P6	102	48	RED	4	SYS #3 OIL TEMPERATURE	371-02504-203
			BLK	8		
			DRAIN	1		
	125	50	RED	5	SYS #3 DISCHARGE TEMPERATURE	371-02504-243
			BLK	9		
			DRAIN	2		
I/O 2 P5	123	46	RED	9	SYS #3 SUCTION TEMPERATURE	371-02504-241
			BLK	12		
			DRAIN	5		
	117	52	RED	7	SYS #3 COOLER INLET REFRIG. TEMP. SENSOR (407c ONLY)	371-02504-232
			BLK	14		
			DRAIN	1		

Note: Harness comes with plug for sensor connection. Plug and sockets (43) for Microboard connection must be ordered separately when needed.

Control Panel

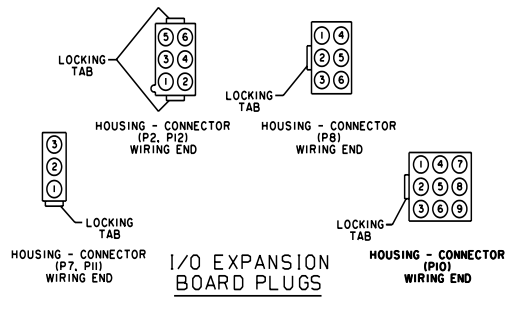
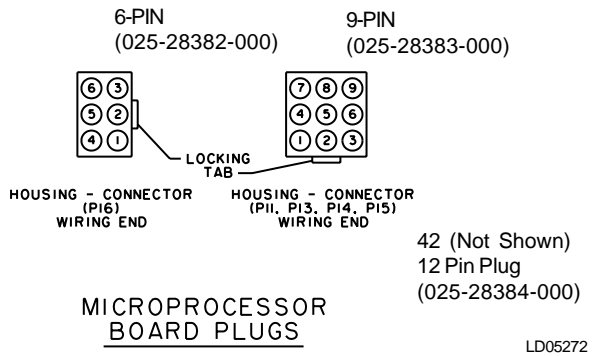
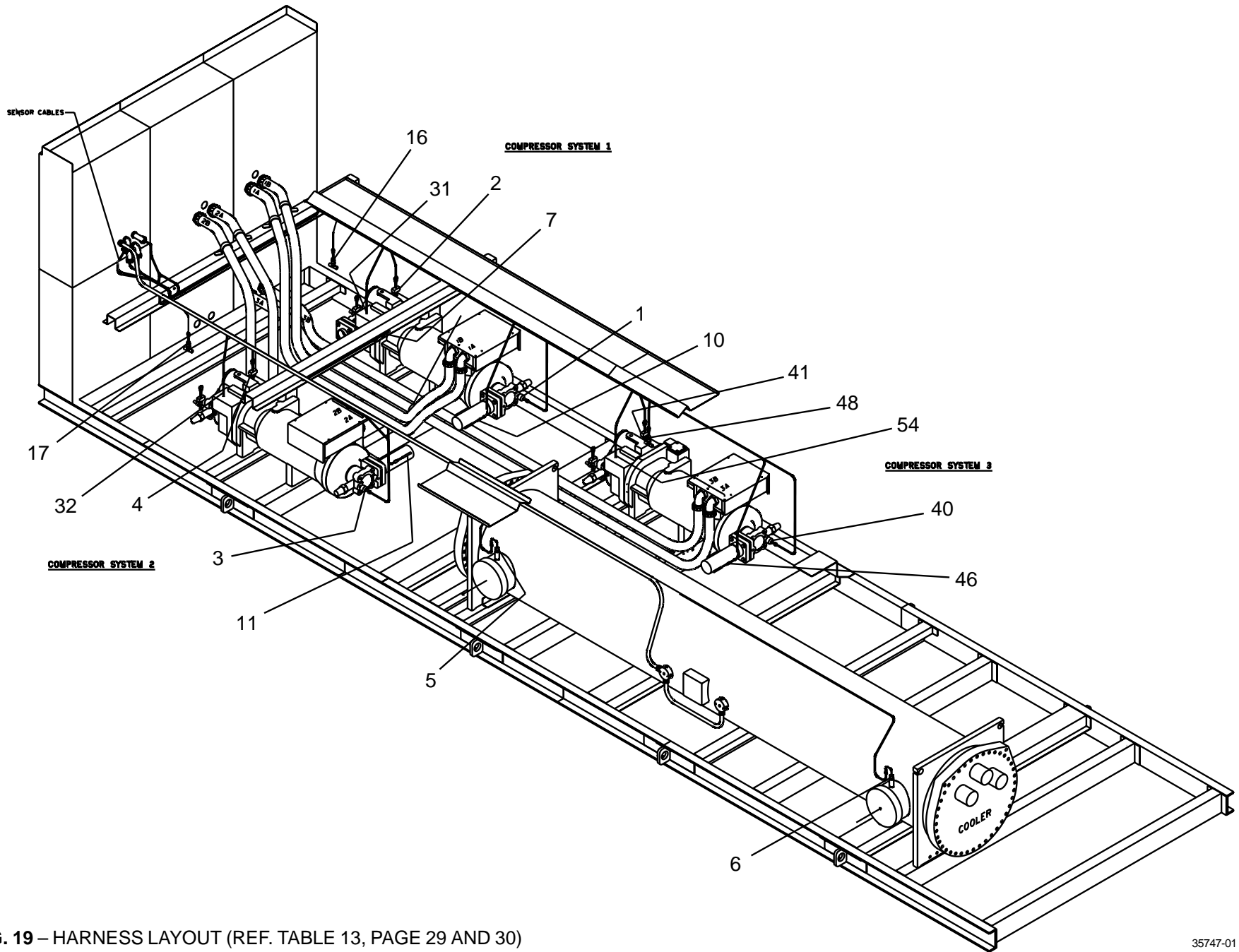


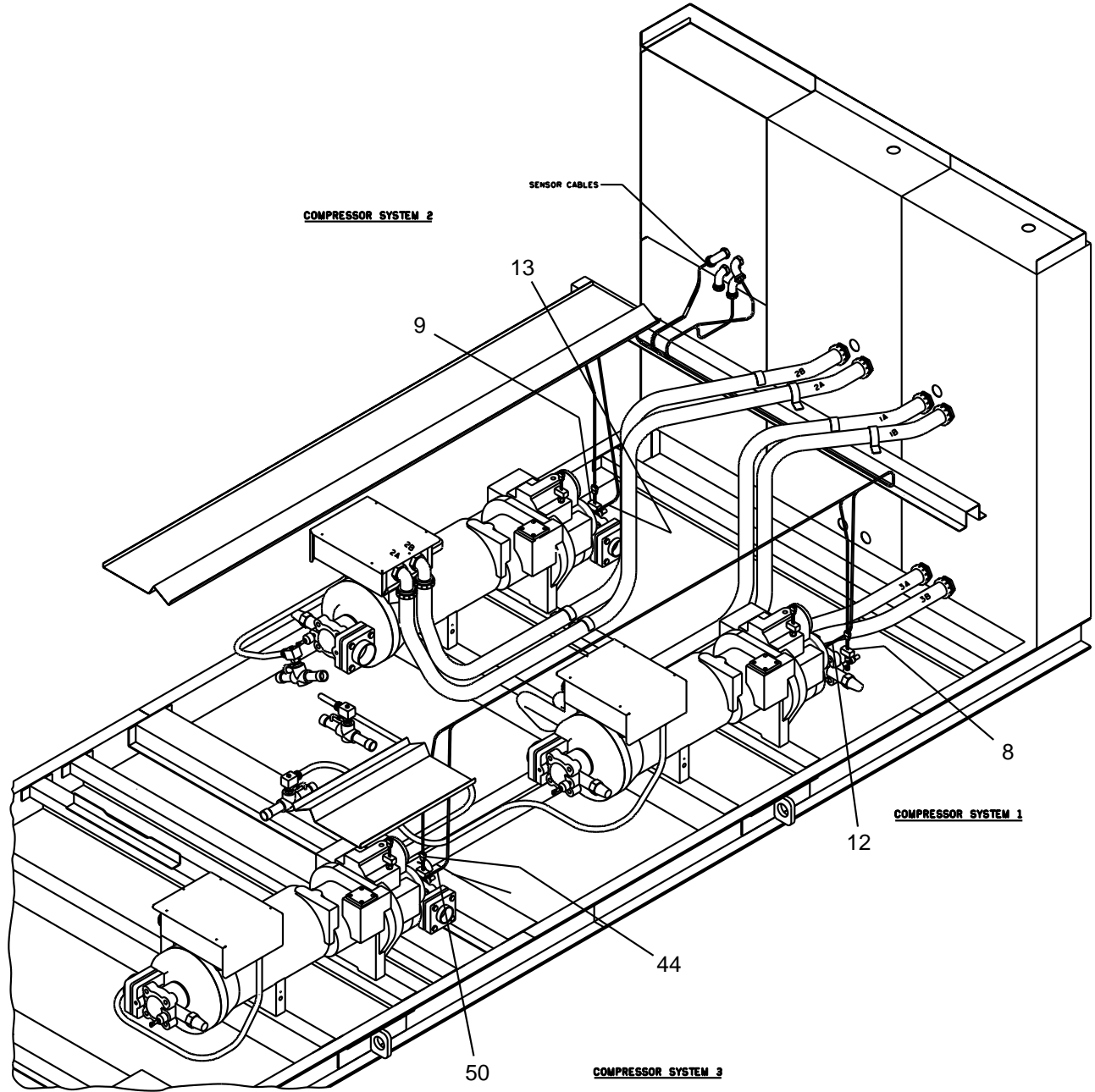
FIG. 18 – SENSOR HOUSING PART NUMBERS (SEE FIGS. 19 AND 20, PAGES 31 AND 32)



SENSOR HARNESS – CONT'D

31 FIG. 19 – HARNESS LAYOUT (REF. TABLE 13, PAGE 29 AND 30)

Control Panel



SENSOR HARNESS – CONT'D

FIG. 20 – HARNESS LAYOUT (REF. TABLE 13, PAGE 29 AND 30)

TRANSDUCER, TEMPERATURE SENSOR AND WIRE HARNESS CONNECTORS - FIELD REPLACEMENT PART NUMBERS

TABLE 15 – TRANSDUCER, TEMPERATURE SENSOR AND WIRE HARNESS CONNECTOR - FIELD REPLACEMENT PART NUMBERS - (SEE FIG. 21)

ITEM NO.	TYPE	DESCRIPTION	PINS	PART NUMBER
1	Transducer	Plug Connector	3 Pin End	025-28953-000
2		Contact Pins		025-28949-000
3		Rubber Collar		025-28950-000
4	Wire Harness	Plug Connector	3 Pin End	025-28954-000
5		Contact Pins		025-28952-000
6		Rubber Collar		025-28950-000
7	Thermistor	Plug Connector	2 Pin End	025-28948-000
8		Contact Pins		025-28949-000
9		Rubber Collar		025-28950-000
10	Wire Harness	Plug Connector	2 Pin End	025-28951-000
11		Contact Pins		025-28952-000
12		Rubber Collar		025-28950-000

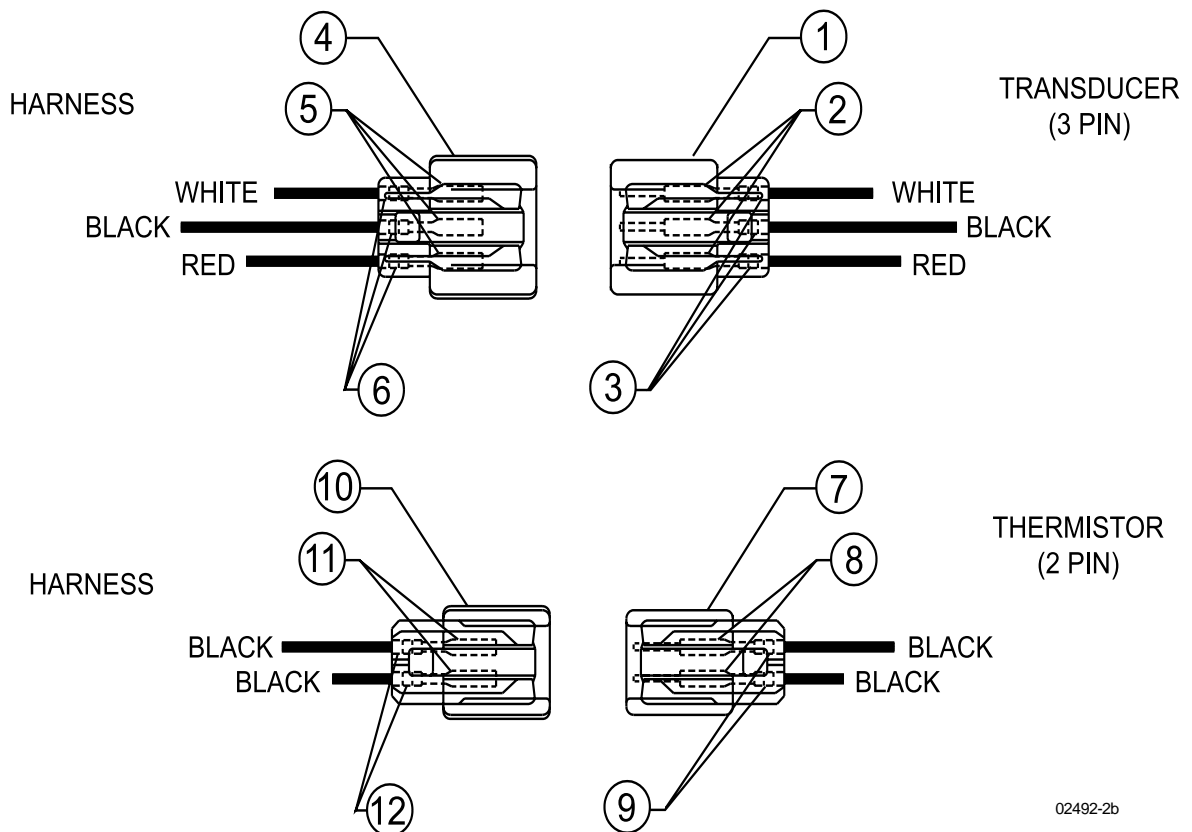


FIG. 21 – TRANSDUCER, TEMPERATURE SENSOR AND WIRE HARNESS CONNECTOR - FIELD REPLACEMENT PART NUMBERS (REF. TABLE 15)

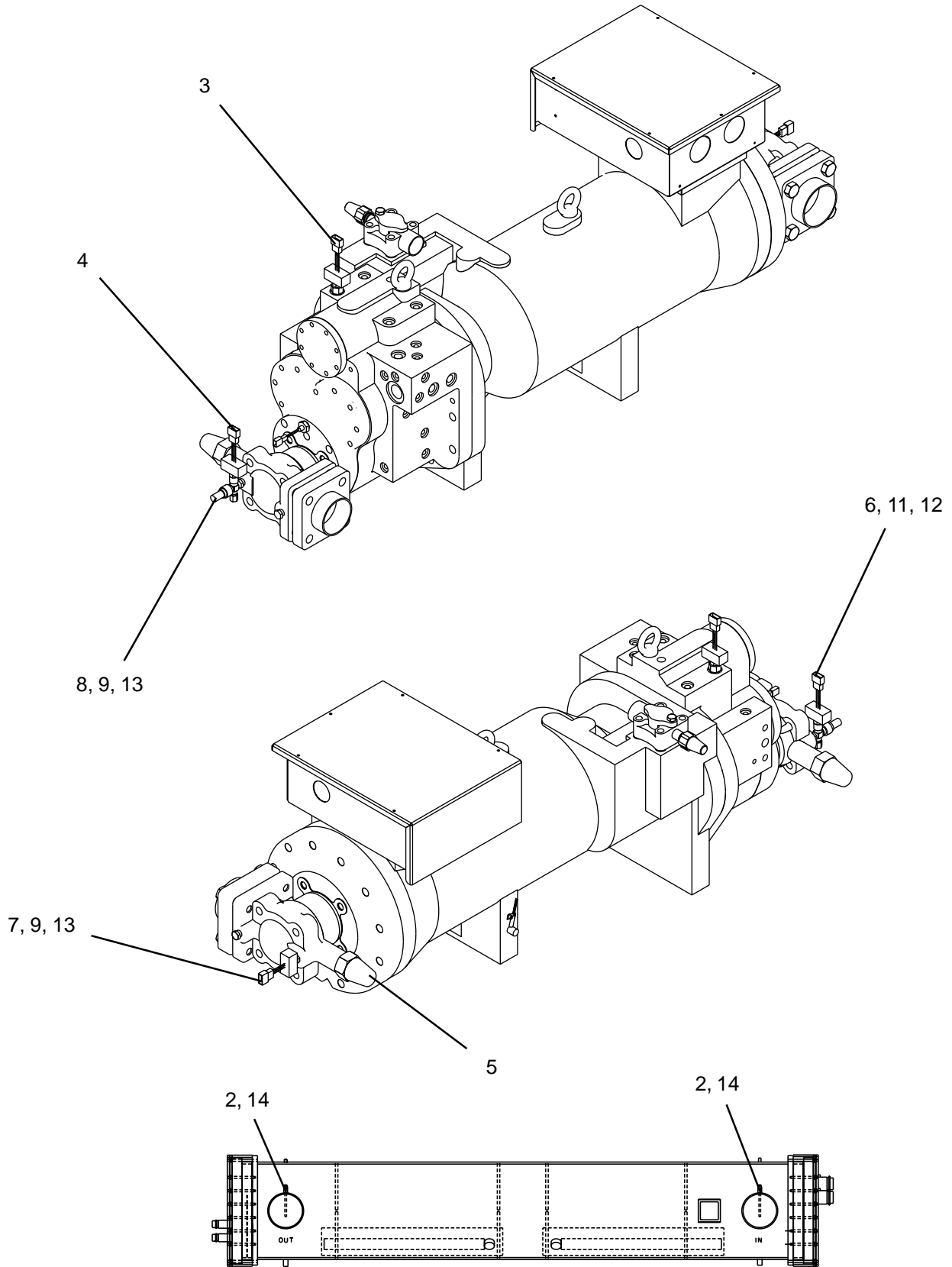
TRANSDUCERS AND TEMP SENSORS

TABLE 15 – TRANSDUCERS AND TEMP SENSORS (SEE FIG. 22, PAGE 35)

ITEM NUMBER	QUANTITY	SYSTEM	DESCRIPTION	VOLTAGE CODE	PART NUMBER
1 ^s	1	Unit	Sensor, Outside Air (OAT) (Not Shown)	ALL	025-28663-001
2 ^s	3	Unit	Sensor, Water Temp.	ALL	025-29964-000
3 ^s	3	1, 2 and 3	Sensor, Oil Temp.	ALL	025-30440-000
4 ^s	3	1, 2 and 3	Sensor, Disc. Temp.	ALL	025-32924-000
5 ^s	3	1, 2 and 3	Sensor, Suction Temp.	ALL	025-28935-000
6 ^s	3	1, 2 and 3	Switch, High Press. Cutout	ALL	025-30480-000
7 ^s	3	1, 2 and 3	Transducer 0-200 PSI Suction	ALL	025-29583-000
8 ^s	6	1, 2 and 3	Transducer 0-400 PSI Discharge	ALL	025-29139-001
9	9	1, 2 and 3	Valve, Transducer (Use with Items 7 & 8) 1/4 MPT x 1/4 FPT	ALL	022-09503-000
10	6	1, 2 and 3	Valve, Charging (Oil, Refrig). 1/2 x 3/8 Flare (Not Shown)	ALL	022-09754-000
11	3	1, 2 and 3	Adaptor, Mounting (Includes Item 12) (Use with Item 6)	ALL	023-18087-000
12	6	1, 2 and 3	O-Ring (Use with Item 11)	ALL	028-13540-000
13	6	1, 2 and 3	Bushing (Use with Items 6 and 7)	ALL	023-18052-000
14	1	Unit	Compound, Heat Conductive (Use with Item 2)	ALL	013-00898-000

s Recommended Spare Part

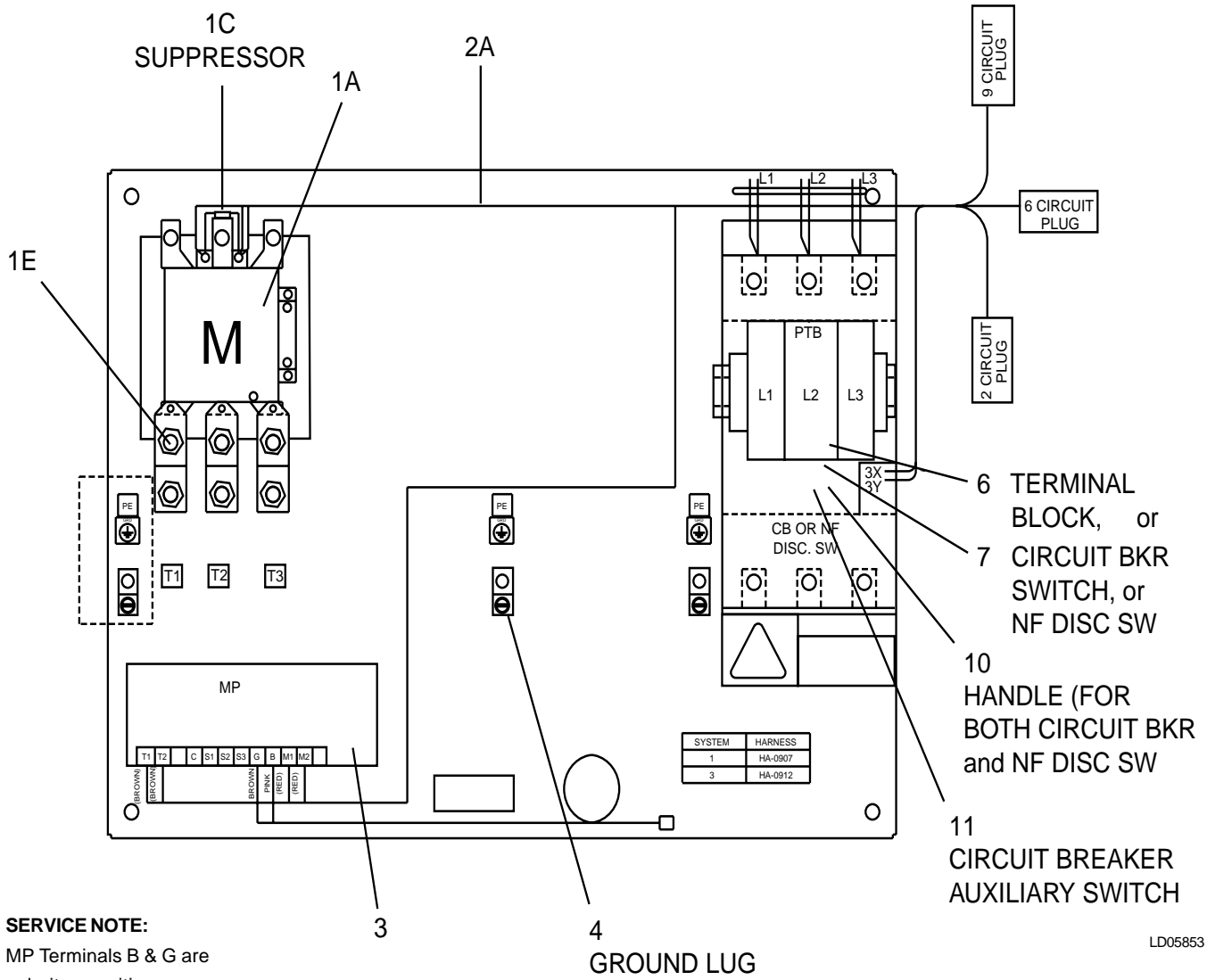
TRANSDUCERS AND TEMP SENSORS – CONT'D



Control Panel

fig. 22 – TRANSDUCERS AND TEMP SENSORS (REF. TABLE 15, PAGE 34)

POWER PANEL - ACROSS-THE-LINE



LD05853

FIG. 23 – ACROSS-THE-LINE POWER PANEL, TYPICAL LAYOUT (REF. ‘POWER PANEL COMPONENTS-ACROSS THE LINE’ TABLE, PAGES 38 - 39)

POWER PANEL IDENTIFIERS - ACROSS-THE-LINE

TABLE 16 – POWER PANEL IDENTIFIERS (TO IDENTIFY REPLACEMENT PART NUMBERS, SELECT PANEL IDENTIFIER NUMBER BELOW, THEN REFER TO THE HIGHLIGHTED ROW ON THE ‘POWER PANEL COMPONENTS-ACROSS THE LINE’ TABLE, PAGES 38 - 39 AND FIG. 23 ON PAGE 36)

Model	Power Panel with Terminal Block	Power Panel with Separate System Circuit Breakers
	Panel Number	Panel Number
YCAS0685E-50XF	371-02493-104	371-02493-215
YCAS0775E-50XF	371-02493-102	371-02493-202
YCAS0835E-50XF	371-02493-103	371-02493-216
YCAS0905E-50XF	371-02493-110	371-02493-210
YCAS0965E-50XF	371-02493-110	371-02493-210

POWER PANEL COMPONENTS - ACROSS-THE-LINE

TABLE 17 – POWER PANEL COMPONENTS - ACROSS-THE-LINE

Item	Description	Qty.	371-02493-102	371-02493-103	371-02493-104	371-02493-110
1A	Contacto(Sys.1)	1	024-31642-000	024-31638-000	024-26577-000	024-31638-000
	Contacto(Sys.2)	1	024-31642-000	024-31642-000	024-26577-000	024-31638-000
	Contacto(Sys.3)	1	024-31642-000	024-31642-000	024-31638-000	024-31638-000
1C	Surge Suppressor	1	031-00808-000	031-00808-000	031-00808-000	031-00808-000
1E	Lugs,Contactor(Sys.1)	1	025-34089-000	025-34089-000	025-34088-000	025-34089-000
	Lugs,Contactor(Sys.2)	1	025-34089-000	025-34089-000	025-34088-000	025-34089-000
	Lugs,Contactor(Sys.3)	1	025-34089-000	025-34089-000	025-34089-000	025-34089-000
2A	120V Harness	3	071-02625-000	071-02625-000	071-02625-000	071-02625-000
3 ^s	Motor Protector	3	024-30907-000	024-30907-000	024-30907-000	024-30907-000
4	Ground Lug(Sys.1)	1	025-34089-000	025-34085-000	025-34089-000	025-34085-000
	Ground Lug(Sys.2)	1	025-34089-000	025-34089-000	025-34089-000	025-34085-000
	Ground Lug(Sys.3)	1	025-34089-000	025-34089-000	025-34085-000	025-34085-000
6	Terminal Block(Sys.1)	3	025-34454-000	025-34408-000	025-34454-000	025-34408-000
	Terminal Block(Sys.2)	3	025-34454-000	025-34454-000	025-34454-000	025-34408-000
	Terminal Block(Sys.3)	3	025-34454-000	025-34454-000	025-34408-000	025-34408-000
7	Circuit Breaker	—	—	—	—	—
		—	—	—	—	—
8	NF Disconnect Switch	—	—	—	—	—
		—	—	—	—	—
10	Operator Mech.	—	—	—	—	—
11	Sw. C/B Aux.2A/2B	—	—	—	—	—

^s = Recommended Spare Parts

Note: Highlighted numbers refer to Power Panel Identifiers shown on page 37.

POWER PANEL COMPONENTS - ACROSS-THE-LINE - CONT'D

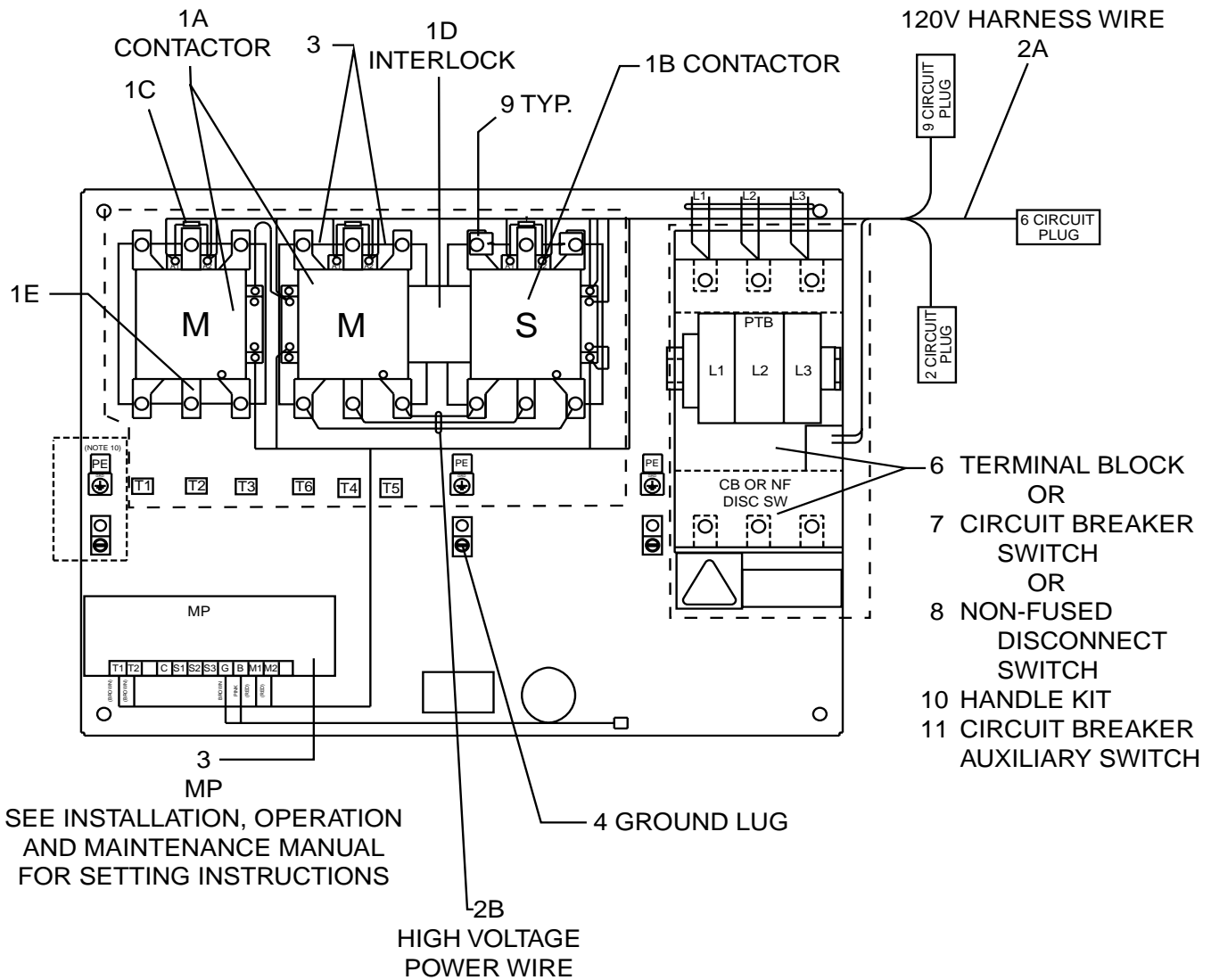
TABLE 17 (CONT'D) – POWER PANEL COMPONENTS - ACROSS-THE-LINE

ITEM	DESCRIPTION	QTY.	371-02493-202	371-02493-210	371-02493-215	371-02493-216
1A	Contactor(Sys.1)	1	024-31642-000	024-31638-000	024-26577-000	024-31642-000
	Contactor(Sys.2)	1	024-31642-000	024-31638-000	024-26577-000	024-31642-000
	Contactor(Sys.3)	1	024-31642-000	024-31638-000	024-31638-000	024-31638-000
1C	Surge Suppressor	1	031-00808-000	031-00808-000	031-00808-000	031-00808-000
1E	Lugs,Contactor(Sys.1&2)	2	025-34089-000	025-34089-000	025-34088-000	025-34089-000
	Lugs,Contactor(Sys.3)	1	025-34089-000	025-34089-000	025-34089-000	025-34089-000
2A	120V Harness	3	071-02625-000	071-02625-000	071-02625-000	071-02625-000
3^s	Motor Protector	3	024-30907-000	024-30907-000	024-30907-000	024-30907-000
4	Ground Lug(Sys.1&2)	2	025-34085-000	025-34085-000	025-34085-000	025-34085-000
	Ground Lug(Sys.3)	1	025-34085-000	025-34085-000	025-34085-000	025-34085-000
6	Terminal Block	—	—	—	—	—
		—	—	—	—	—
7	Circuit Breaker(Sys.1&2)	2	024-31819-000	025-34424-000	024-31819-000	025-34419-000
	Circuit Breaker(Sys.3)	1	025-31819-000	025-34424-000	024-34424-000	025-34424-000
8	NF Disconnect Switch	—	—	—	—	—
		—	—	—	—	—
10	Operator Mech.	3	024-31878-000	024-31878-000	024-31878-000	024-31878-000
11	Sw. C/B Aux.2A/2B	3	024-31646-000	024-31646-000	024-31646-000	024-31646-000

^s = Recommended Spare Parts

Note: Highlighted numbers refer to Power Panel Identifiers shown on page 37.

POWER PANEL COMPONENTS - WYE-DELTA



LD05852

Power Panel

FIG. 24 – POWER PANEL COMPONENTS - WYE DELTA (REF. 'POWER PANEL COMPONENTS- 'WYE DELTA" TABLE, PAGE 42)

POWER PANEL IDENTIFIERS - WYE DELTA

TABLE 18 – POWER PANEL IDENTIFIERS (TO IDENTIFY REPLACEMENT PART NUMBERS SELECT PANEL IDENTIFIER NUMBER BELOW, THEN REFER TO HIGHLIGHTED ROW ON THE 'POWER PANEL COMPONENTS - WYE DELTA' TABLE, PAGE 42, AND FIG. 24 ON PAGE 40)

Model	Power Panel with Terminal Block	Power Panel with Separate System Circuit Breakers
	Panel Number	Panel Number
YCAS0685E-50YF	N/A	371-02493-231
YCAS0775E-50YF	N/A	371-02493-222
YCAS0835E-50YF	N/A	371-02493-233
YCAS0905E-50YF	N/A	371-02493-228
YCAS0965E-50YF	N/A	371-02493-234

POWER PANEL COMPONENTS - WYE-DELTA

TABLE 19 – POWER PANEL COMPONENTS - WYE DELTA

Item	Description	Qty.	371-02493-222	371-02493-228	371-02493-231	371-02493-233	371-02493-234
1A	Contactor(Sys.1)	2	024-31603-000	024-26577-000	024-26577-000	024-26577-000	024-26577-000
	Contactor(Sys.2)	2	024-31603-000	024-26577-000	024-31603-000	024-31603-000	024-31603-000
	Contactor(Sys.3)	2	024-31603-000	024-26577-000	024-31063-000	024-31603-000	024-31603-000
1B	Contactor(Sys.1)	1	024-31636-000	024-26577-000	024-26577-000	024-26577-000	024-26577-000
	Contactor(Sys.2)	1	024-31636-000	024-26577-000	024-31636-000	024-31636-000	024-31636-000
	Contactor(Sys.3)	1	024-31636-000	024-26577-000	024-31636-000	024-31636-000	024-31636-000
1C	Surge Suppressor	1	031-00808-000	031-00808-000	031-00808-000	031-00808-000	031-00808-000
1D	Mech Interlock(Sys.1&2)	2	024-31601-000	024-31601-000	024-31601-000	024-31601-000	024-31601-000
	Mech Interlock(Sys.3)	1	024-31601-000	024-31601-000	024-31601-000	024-31600-000	024-31600-000
1E	Lugs,Contactor(Sys.1&2)	2	025-34088-000	025-34088-000	025-34088-000	025-34088-000	025-34088-000
	Lugs,Contactor(Sys.3)	1	025-34088-000	025-34088-000	025-34089-000	025-34089-000	025-34089-000
2A	120V Harness(Sys.1&2)	2	071-02600-000	071-02600-000	071-02600-000	071-02600-000	071-02600-000
	120V Harness(Sys.3)	1	071-02601-000	071-02601-000	071-02601-000	071-02601-000	071-02601-000
2B	High Voltage Power Wire	1	Obtain Locally	Obtain Locally	Obtain Locally	Obtain Locally	Obtain Locally
3 ^s	Motor Protector	1	024-30907-000	024-30907-000	024-30907-000	024-30907-000	024-30907-000
4	Ground Lug	1	025-34085-000	025-34085-000	025-34085-000	025-34085-000	025-34085-000
6	Terminal Block	—	—	—	—	—	—
		—	—	—	—	—	—
7	Circuit Breaker(Sys.1&2)	2	024-31819-000	025-34424-000	025-31819-000	025-34419-000	024-31819-000
	Circuit Breaker(Sys.3)	1	024-31819-000	025-34424-000	025-34424-000	025-34424-000	025-34424-000
8	NF Disc Switch	—	—	—	—	—	—
		—	—	—	—	—	—
10	Operator Mech.	3	025-34417-000	025-34417-000	025-34417-000	025-34417-000	025-34417-000
11	Sw. C/B Aux.2A/2B	3	024-31646-000	024-31646-000	024-31646-000	024-31646-000	024-31646-000

^s = Recommended Spare Parts

Note: Highlighted numbers refer to Power Panel Identifiers shown on page 41.

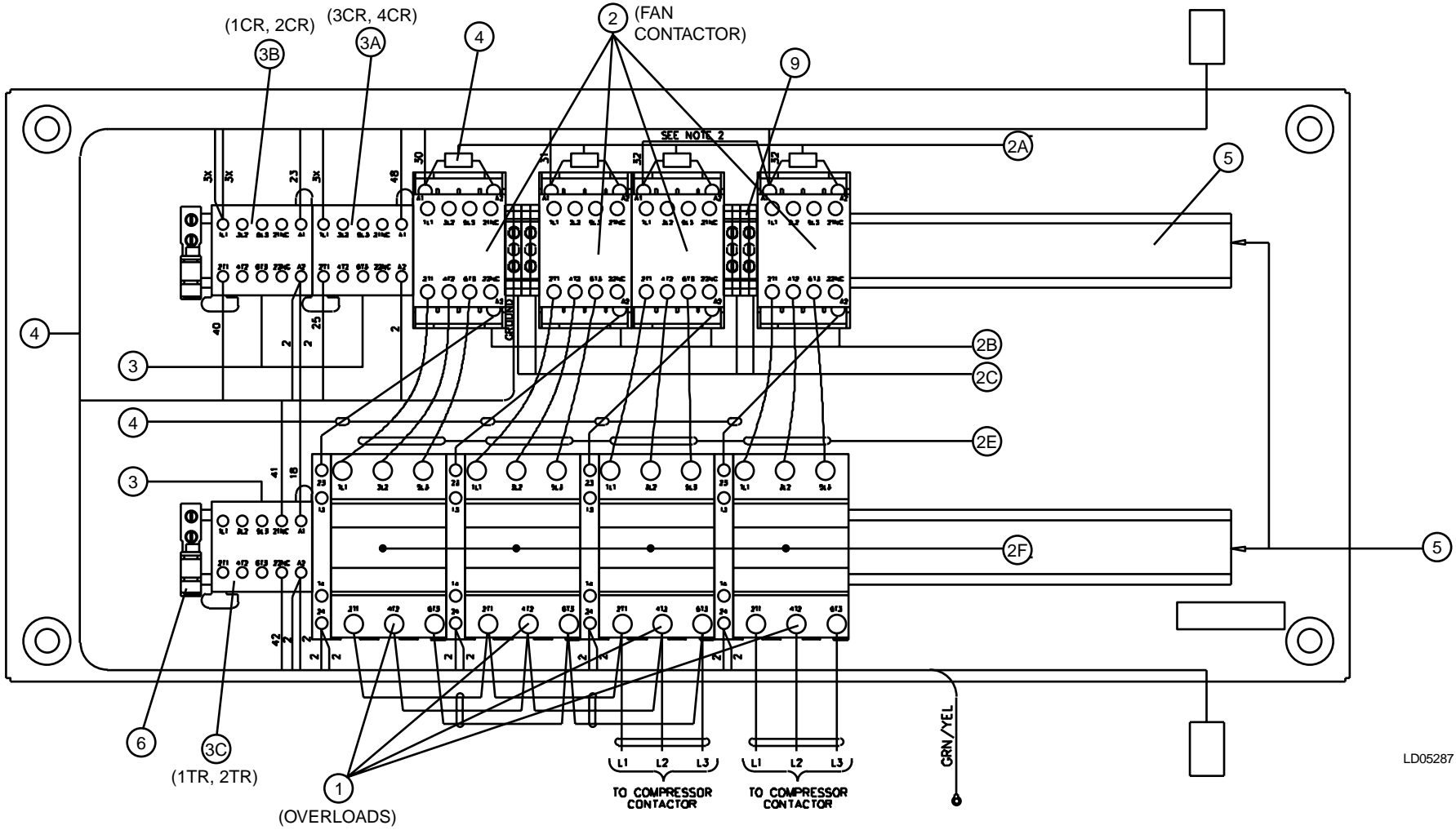
This page intentionally left blank

4 FAN CONTACTOR PANEL COMPONENTS (ALL OTHER CONTACTOR PANELS SIMILAR)

TABLE 20 – 4 FAN CONTACTOR PANEL COMPONENTS – YCAS F
(SEE FIG. 25, PAGE 45)

ITEM	LEGEND	DESCRIPTION	YORK PART NO.	QTY*
1	9 OL -	6.3 A OVERLOAD	025-34449-000	4
	20 OL	9.0 A OVERLOAD	025-34446-000	4
2	9M -	FAN CONTACTOR 380-575V	025-34448-000	4
	20M	FAN CONTACTOR 200-230V	025-34445-000	4
3A	3, 4CR	COMP HEATER RELAY	024-31635-000	1
3B	1, 2CR	COMP RUN RELAY	024-31635-000	1
3C	1, 2TR	Y-D TRANSITION RELAY	024-31635-000	1
4		SURGE SUPPRESSOR	031-00808-000	4
5		DIN RAIL SLOTTED	025-29167-000	0.5
6		END CLAMP	025-34439-000	2
7		14AWG BLK 600V 1		8
8		FAN PNL PWR-WIRE		3
9		PH TERM USLKG2.5	025-34447-000	4

* **Note:** 4 Fan Panel Assembly is shown. Adjust quantities for 3, 5, and 6 fan assemblies as needed.



LD05287

4 FAN CONTACTOR PANEL (All other Contactor Panels similar)

FIG. 25 – 4 FAN CONTACTOR PANEL (REF. TABLE 20, PAGE 44)

Power Panel

OPTION AND POWER PANEL CONFIGURATIONS

Power panels and option panels are offered in several configurations using three (3) major components:

1. TERMINAL BLOCKS -
2. CIRCUIT BREAKER SWITCH -
3. NF (Non Fused) DISCONNECT SWITCH -

The most basic chiller power wiring configuration uses terminal blocks in the power panel, and an option panel with no power wire termination hardware. See figures below. The model number pin number locations 16 and 17 would be X and X to reflect this basic combination. Identify pin number locations 16 and 17 to identify the chiller power wiring connections and hardware listed below.

PIN 16 & 17 LETTER CODE IDENTIFIERS	POWER PANEL AND OPTION PANEL CONFIGURATION
X X	Terminal Blocks for each system in power panel; no options in option panel
M D	NF disconnect switch for each system in power panel; no options in option panel
M B	Circuit Breaker switch for each system in power panel; no options in option panel
S B	Circuit Breaker switch for each system in power panel; SP terminal block in option panel
D B	Circuit Breaker switch for each system in power panel; SP NIF disc switch in option panel
S S	NF disconnect switch for each system in power panel; SP terminal block in option panel
C S	NF disconnect switch for each system in power panel; SP circuit breaker in option panel

Examples of power wiring configurations:

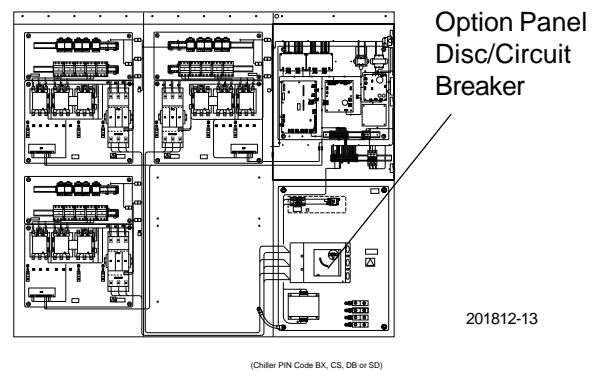
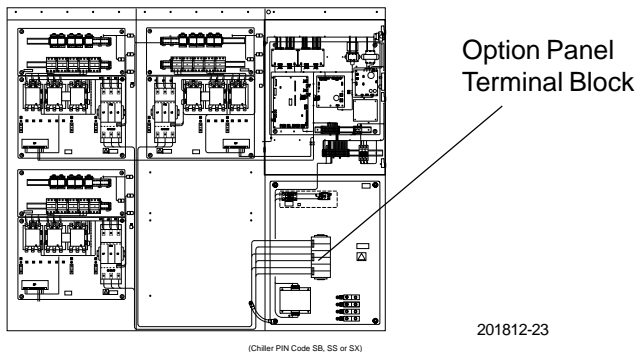
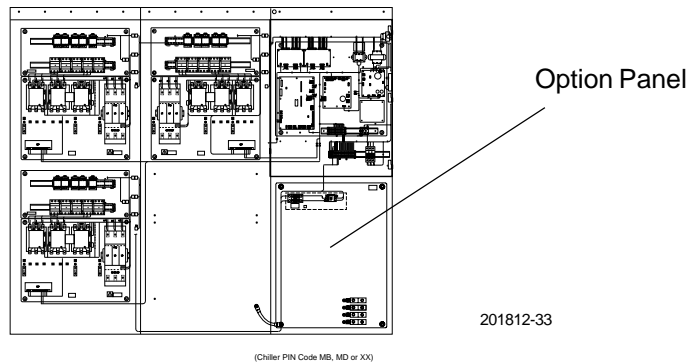


FIG. 26 – OPTION PANEL (3-COMPRESSOR UNITS)

OPTION PANEL IDENTIFIERS

TABLE 21 – OPTION PANEL IDENTIFIERS (TO IDENTIFY REPLACEMENT PART NUMBERS, SELECT PANEL IDENTIFIER NUMBER BELOW, THEN REFER TO HIGHLIGHTED ROW ON TABLE 22, AND FIGS. 27 AND 28 ON PAGES 50 AND 51)

*** DUAL POINT SUPPLY TERMINAL BLOCK OR NF DISCONNECT SWITCH W/ SEPARATE SYSTEM TERMINAL BLOCK OR CIRCUIT BREAKERS - WITHOUT CONTROL TRANSFORMER.**

Model	Code	Terminal Block	Qty.	NF Disc. Switch	Qty.
YCAS0658	50	371-02496-116	1	371-02496-140	1
YCAS0775	50	371-02496-116	1	371-02496-141	1
YCAS0835	50	371-02496-112	1	371-02496-143	1
YCAS0905	50	371-02496-113	1	371-02496-143	1
YCAS0965	50	371-02496-113	1	371-02496-143	1

*** DUAL POINT SUPPLY TERMINAL BLOCK OR NF DISCONNECT SWITCH W/ SEPARATE SYSTEM TERMINAL BLOCK OR CIRCUIT BREAKERS - WITH CONTROL TRANSFORMER.**

Model	Code	Terminal Block	Qty.	NF Disc. Switch	Qty.
YCAS0685	50	371-02496-225	1	371-02496-253	1
YCAS0775	50	371-02496-225	1	371-02496-243	1
YCAS0835	50	371-02496-216	1	371-02496-246	1
YCAS0905	50	371-02496-219	1	371-02496-246	1
YCAS0965	50	371-02496-219	1	371-02496-246	1

*** SINGLE POINT SUPPLY TERMINAL BLOCK OR NF DISCONNECT SWITCH W/ SEPARATE SYSTEM CIRCUIT BREAKERS - WITHOUT CONTROL TRANSFORMER.**

Model	Code	Terminal Block	Qty.	NF Disc. Switch	Qty.
YCAS0685	50	371-02496-102	1	371-02496-131	1
YCAS0775	50	371-02496-102	1	371-02496-131	1
YCAS0835	50	371-02496-102	1	371-02496-131	1
YCAS0905	50	371-02496-103	1	371-02496-132	1
YCAS0935	50	371-02496-103	1	371-02496-132	1

*** SINGLE POINT SUPPLY TERMINAL BLOCK OR NF DISCONNECT SWITCH W/ SEPARATE SYSTEM CIRCUIT BREAKERS - WITH CONTROL TRANSFORMER.**

Model	Code	Terminal Block	Qty.	NF Disc. Switch	Qty.
YCAS0685	50	371-02496-206	1	371-02496-234	1
YCAS0775	50	371-02496-206	1	371-02496-234	1
YCAS0835	50	371-02496-206	1	371-02496-234	1
YCAS0905	50	371-02496-208	1	371-02496-237	1
YCAS0965	50	371-02496-208	1	371-02496-237	1

OPTION PANEL COMPONENTS

TABLE 22 – OPTIONS PANEL COMPONENTS (SEE FIGS. 27 AND 28, PAGES 50 AND 51)

Item	Description	QUANTITY	371-02496-102	371-02496-103	371-02496-112	371-02496-113	371-02496-116
4A	Terminal Block (025-34405-000)	UKH-240*	Quantity of 6	----	----	----	----
	Terminal Block (025-34408-000)	UKH-150*	----	Quantity of 9	Quantity of 6	Quantity of 9	----
	Terminal Block (025-34454-000)	UKH-95*	----	----	Quantity of 3	----	Quantity of 9
	NF Disc. Sw. (Top, Sys. 2)	1	----	----	----	----	----
	NF Disc. Sw. (Bot., Sys. 1 & 3)	1	----	----	----	----	----
4B	Handle Kit (Top)	1	----	----	----	----	----
	Handle Kit (Bottom)	1	----	----	----	----	----
4C	Lug Kit	2	025-34087-000	025-34085-000	025-34085-000	025-34085-000	025-34089-000
4D	Lug Kit	1	025-34087-000	025-34085-000	025-34089-000	025-34085-000	025-34089-000
4E	Insertion Bridge	3	025-34422-000	025-34422-000	025-34422-000	025-34422-000	025-35646-000
1C	Switch, Control Power	1	024-31833-000	024-31833-000	024-31833-000	024-31833-000	024-31833-000
1D	Shaft, Control Power Sw.	1	024-31633-000	024-31633-000	024-31633-000	024-31633-000	024-31633-000
1E	Handle, Control Power Sw.	1	024-31832-000	024-31832-000	024-31832-000	024-31832-000	024-31832-000
2B	Transformer	1	025-30889-000	025-30889-000	025-30889-000	025-30889-000	025-30889-000
2A	Fuse	2	----	----	----	----	----

Item	Description	QUANTITY	371-02496-131	371-02496-132	371-02496-140	371-02496-141	371-02496-143
4A	Terminal Block (025-34405-000)	UKH-240*	----	----	----	----	----
	Terminal Block (025-34408-000)	UKH-150*	----	----	----	----	----
	Terminal Block (025-34454-000)	UKH-95*	----	----	----	----	----
	NF Disc. Sw. (Top, Sys. 2)	1	024-30965-000	024-31889-000	024-31888-000	024-31870-000	024-31870-000
	NF Disc. Sw. (Bot., Sys. 1 & 3)	1	----	----	024-30964-000	024-30964-000	024-30965-000
4B	Handle Kit (Top)	1	025-35695-000	025-35695-000	024-31878-000	024-31878-000	024-31878-000
	Handle Kit (Bottom)	1	----	----	024-31878-000	024-31878-000	025-35695-000
4C	Lug Kit	2	025-34086-000	025-34086-000	025-34420-000	025-34420-000	025-34480-000
4D	Lug Kit	1	025-34414-000	025-34415-000	025-34479-000	025-34480-000	025-34418-000
4E	Insertion Bridge	3	----	----	----	----	----
1C	Switch, Control Power	1	024-31833-000	024-31833-000	024-31833-000	024-31833-000	024-31833-000
1D	Shaft, Control Power Sw.	1	024-31633-000	024-31633-000	024-31633-000	024-31633-000	024-31633-000
1E	Handle, Control Power Sw.	1	024-31832-000	024-31832-000	024-31832-000	024-31832-000	024-31832-000
2B	Transformer	1	025-30889-000	025-30889-000	025-35661-000	025-35662-000	025-35660-000
2A	Fuse	2	----	----	025-35608-000	025-34435-000	025-34428-000

NOTE: Hi-lighted numbers refer to TABLE 21 - Option Panel Identifiers on Page 47.

***NOTE:** Refer to Option Panel columns for quantity of Terminal Blocks.

OPTION PANEL COMPONENTS - CONT'D

TABLE 22 – OPTIONS PANEL COMPONENTS (SEE FIGS. 27 AND 28, PAGES 50 AND 51)

Item	Description	QUANTITY	371-02496-206	371-02496-208	371-02496-216	371-02496-219	371-02496-225
4A	Terminal Block (025-34405-000)	UKH-240*	Quantity of 6	----	----	----	----
	Terminal Block (025-34408-000)	UKH-150*	----	Quantity of 9	Quantity of 3	Quantity of 9	----
	Terminal Block (025-34454-000)	UKH-95*	----	----	Quantity of 3	----	Quantity of 12
	NF Disc. Sw. (Top, Sys. 2)	1	----	----	----	----	----
	NF Disc. Sw. (Bot., Sys. 1 & 3)	1	----	----	----	----	----
4B	Handle Kit (Top)	1	----	----	----	----	----
	Handle Kit (Bottom)	1	----	----	----	----	----
4C	Lug Kit	2	025-34087-000	025-34085-000	025-34087-000	025-34085-000	025-34087-000
4D	Lug Kit	1	025-34089-000	025-34085-000	025-34087-000	025-34085-000	025-34087-000
4E	Insertion Bridge	3	025-34423-000	025-34497-000	025-34422-000	025-34422-000	----
1C	Switch, Control Power	1	024-31833-000	024-31833-000	024-31833-000	024-31833-000	024-31833-000
1D	Shaft, Control Power Sw.	1	024-31633-000	024-31633-000	024-31633-000	024-31633-000	024-31633-000
1E	Handle, Control Power Sw.	1	024-31832-000	024-31832-000	024-31832-000	024-31832-000	024-31832-000
2B	Transformer	1	025-35664-000	025-35660-000	025-35664-000	025-35664-000	025-35644-000
2A	Fuse	2	----	025-34427-000	----	----	025-37647-000

Item	Description	QUANTITY	371-02496-234	371-02496-237	371-02496-243	371-02496-246	371-02496-253
4A	Terminal Block (025-34405-000)	UKH-240*	----	----	----	----	----
	Terminal Block (025-34408-000)	UKH-150*	----	----	----	----	----
	Terminal Block (025-34454-000)	UKH-95*	----	----	----	----	----
	NF Disc. Sw. (Top, Sys. 2)	1	024-31965-000	024-31890-000	024-31870-000	024-31870-000	024-31888-000
	NF Disc. Sw. (Bot., Sys. 1 & 3)	1	----	----	024-30964-000	024-30965-000	024-30964-000
4B	Handle Kit (Top)	1	025-35695-000	025-35695-000	024-31878-000	024-31878-000	024-31878-000
	Handle Kit (Bottom)	1	----	----	024-31878-000	024-31878-000	024-31878-000
4C	Lug Kit	2	025-34086-000	025-34420-000	025-34080-000	025-34085-000	025-34089-000
4D	Lug Kit	1	025-34415-000	025-34415-000	025-34089-000	025-34086-000	025-34085-000
4E	Insertion Bridge	3	----	----	----	----	----
1C	Switch, Control Power	1	024-31833-000	024-31833-000	024-31833-000	024-31833-000	024-31833-000
1D	Shaft, Control Power Sw.	1	024-31633-000	024-31633-000	024-31633-000	024-31633-000	024-31633-000
1E	Handle, Control Power Sw.	1	024-31832-000	024-31832-000	024-31832-000	024-31832-000	024-31832-000
2B	Transformer	1	025-35664-000	025-35664-000	025-35662-000	025-35660-000	025-35661-000
2A	Fuse	2	----	----	025-35608-000	025-34435-000	025-34428-000

NOTE: Hi-lighted numbers refer to TABLE 21 - Option Panel Identifiers on Page 47.

***NOTE:** Refer to Option Panel columns for quantity of Terminal Blocks.

OPTION PANEL COMPONENTS - CONT'D

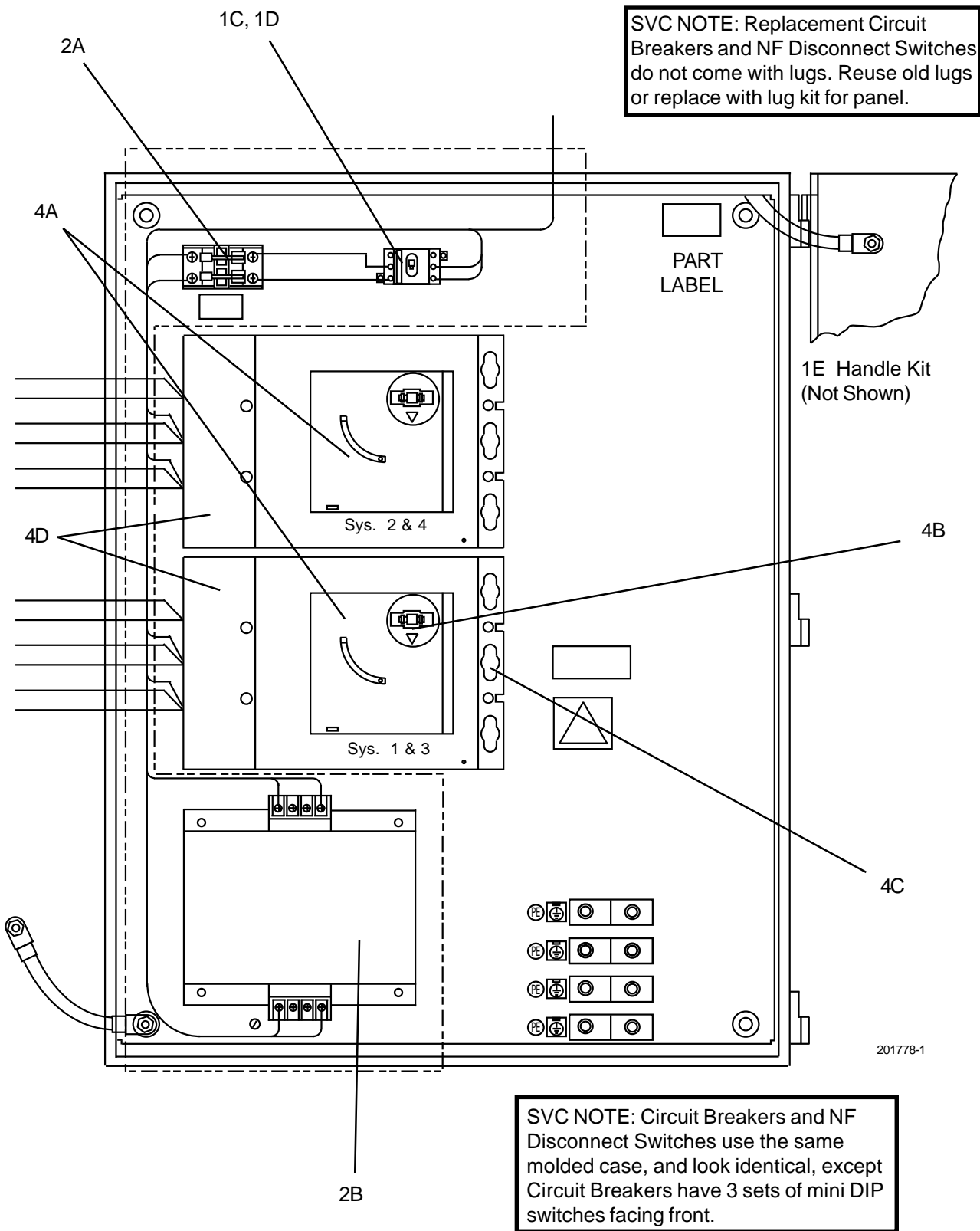


FIG. 27 – OPTION PANEL SHOWN WITH CIRCUIT BREAKER OR NON-FUSED DISCONNECT SWITCH (REF. TABLE 22, PAGES 48 AND 49)

OPTION PANEL COMPONENTS - CONT'D

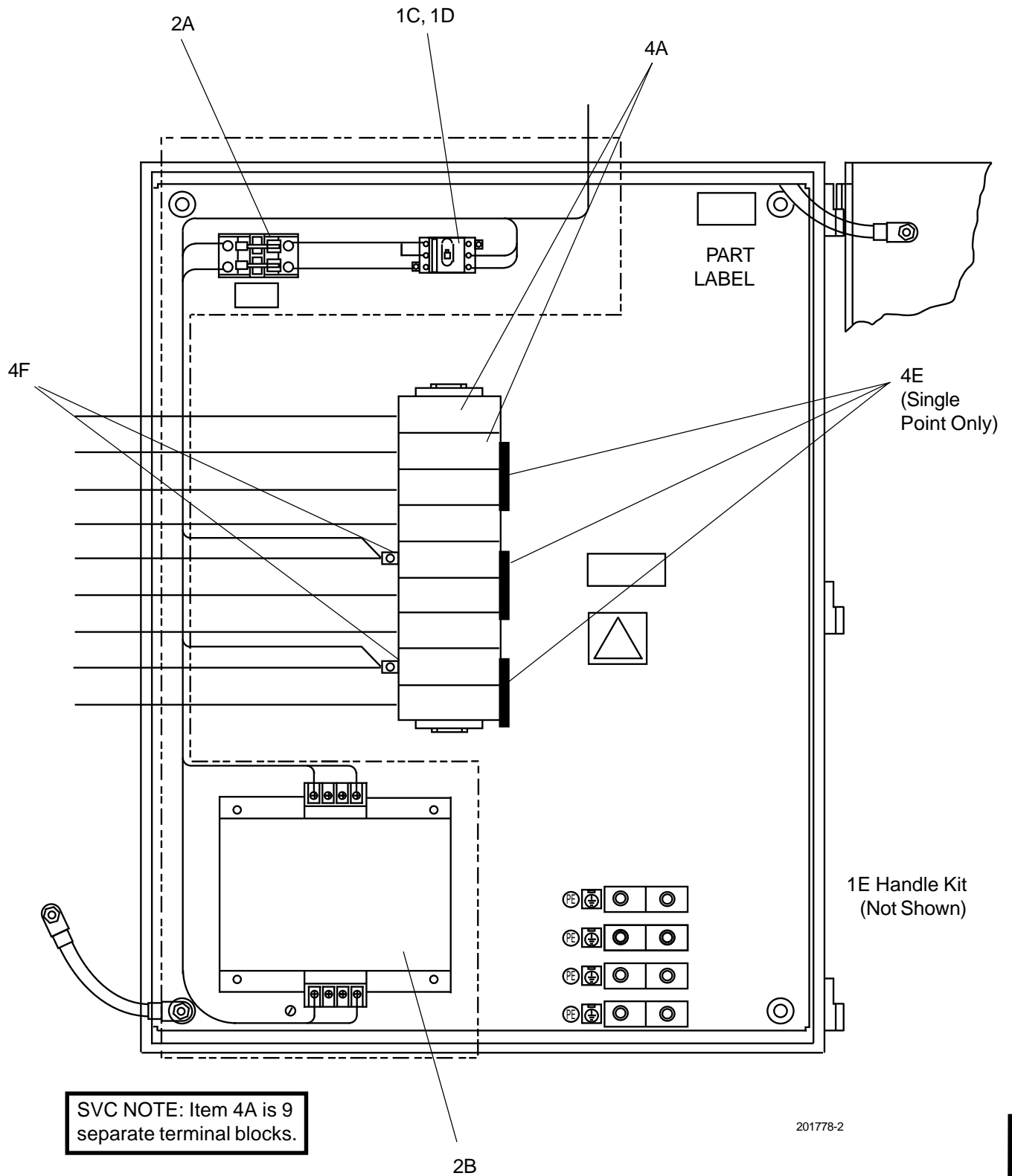


FIG. 28 – OPTION PANEL SHOWN WITH POWER TERMINAL BLOCK
(REF. TABLE 22, PAGES 48 AND 49)

TABLE 23 – FIELD INSTALLABLE OPTIONS TABLE

MODEL NUMBER YCAS - F	VIBRATION ISOLATORS SPRING 1" DEFLEC* CU/AL	VIBRATION ISOLATORS SPRING 2" (SEISMIC) CU/AL	VIBRATION ISOLATOR PAD 1/2" DEFLEC CU/AL	VIBRATION ISOLATORS SPRING 1" DEFLEC* CU/CU	VIBRATION ISOLATORS SPRING 2" (SEISMIC) CU/CU	VIBRATION ISOLATOR PAD 1/2"DEFLEC CU/CU	WIRE ENCLOSURE FULL UNIT	LOUVERED ENCLOSURE FULL UNIT	WIRE/ LOUVERED ENCLOSURE FULL UNIT	LOUVERED ENCLOSURE CONDENSER ONLY	BAS/EMS INTERFACE KIT	REMOTE CONTROL PANEL 50Hz
MODEL NO.	029-22981	029-22981	029-22981	029-22981	029-22981	029-22981	475-	475-	475-	475-	371-02492	371-02485
0685	-101	-201	-001	-105	-206	-005	31585-000	38564-000	31591-000	31594-000	-101 & -102	-105
0775	-102	-202	-002	-106	-207	-006	31584-000	38562-000	31590-000	31593-000	-101 & -102	-105
0835	-109	-210	-009	-110	-211	-010	31584-000	38562-000	31590-000	31593-000	-101 & -102	-105
0905	-102	-210	-009	-110	-211	-010	31584-000	38562-000	31590-000	31593-000	-101 & -102	-105
0965	-103	-203	-003	-107	-208	-007	31596-000	38565-000	31604-000	31608-000	-101 & -102	-105

* Note Tubing and Fin Coil Material – Copper Coils (Cu/Cu) are much heavier than aluminum (Al).

ENCLOSURE KIT OPTIONS

TABLE 24 – ENCLOSURE KIT OPTIONS

MODEL NUMBER	WIRE ENCLOSURE FULL UNIT *	LOUVERED ENCLOSURE FULL UNIT *	WIRE / LOUVERED ENCLOSURE FULL UNIT *	LOUVERED ENCLOSURE CONDENSER ONLY
YCAS0685	475-31585-000	475-38564-000	475-31591-000	475-31594-000
YCAS0775	475-31584-000	475-38562-000	475-31590-000	475-31593-000
YCAS0835	475-31584-000	475-38562-000	475-31590-000	475-31593-000
YCAS0905	475-31584-000	475-38562-000	475-31590-000	475-31593-000
YCAS0965	475-31596-000	475-38565-000	475-31604-000	475-31608-000

* For Enclosure Kit separate parts breakdown see Tables 25 and 26.

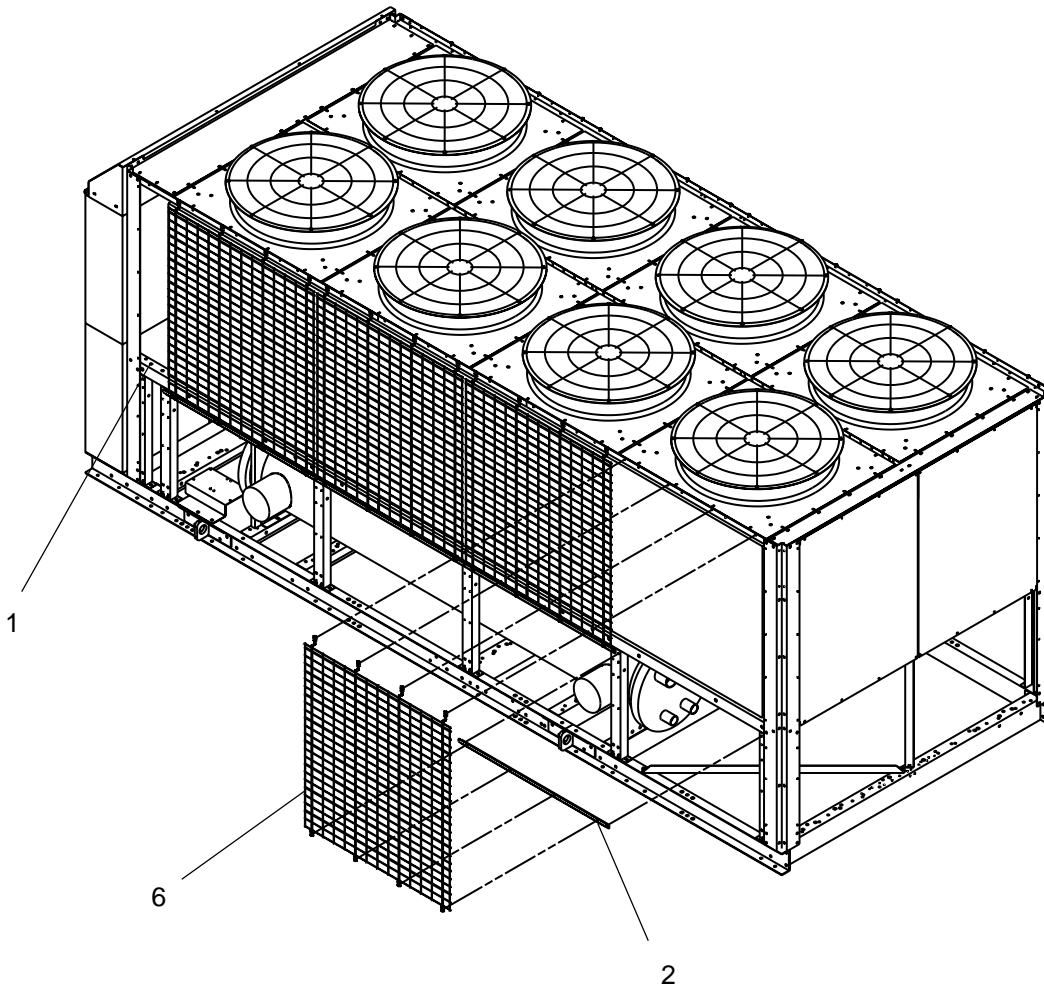
WIRE ENCLOSURE PARTS BREAKDOWN

TABLE 25 – WIRE ENCLOSURE

KIT COMPONENTS			
REF. NUMBER	QUANTITY	DESCRIPTION	PART NUMBER
1	4	Z CHANNEL	075-29588-000
2	8*	Z CHANNEL DXST	075-29589-000
3	1	SUPPORT REAR	075-29590-000
4	2	PANEL VANITY RH	075-29591-000
5	2	PANEL VANITY LH	075-29592-000
6	12**	WIRE GRILL COND DXST	026-36533-000
7	12**	WIRE GRILL BTM DXST	026-36534-000
8	2	WIRE GRILL BTM REAR DXST	026-36535-000

* Quantity of 6 required for YCAS0685 AND 12 required for YCAS0965

** Quantity of 10 required for YCAS0685 AND 16 required for YCAS0965



29569-160-1

FIG. 29 – WIRE ENCLOSURE - 16'-0" KIT IS SHOWN.

WIRE ENCLOSURE PARTS BREAKDOWN - CONT'D

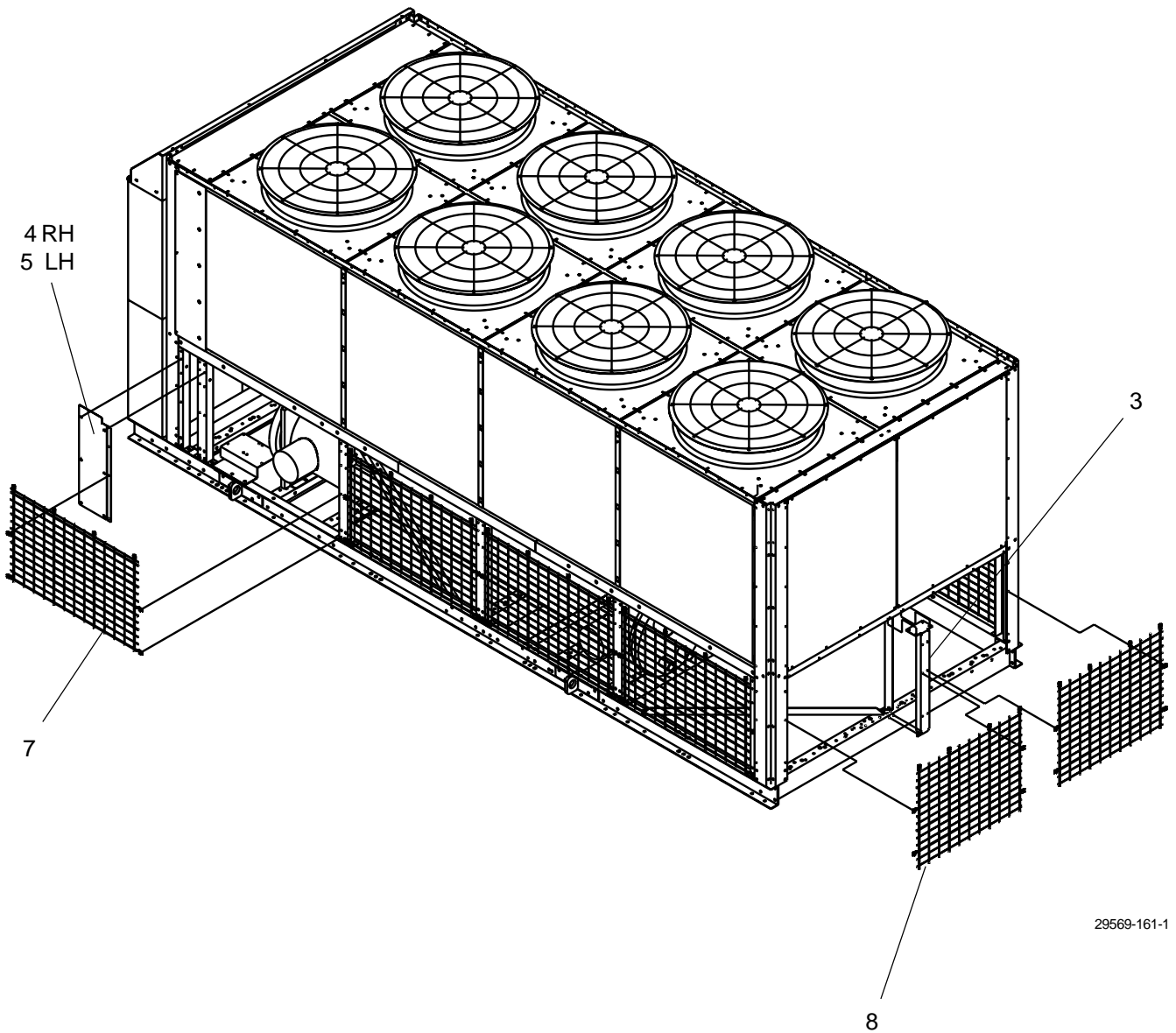


FIG. 30 – WIRE ENCLOSURE - CONT'D - 16'-0"KIT IS SHOWN.

LOUVERED ENCLOSURE PARTS BREAKDOWN

TABLE 26 – LOUVERED ENCLOSURE PARTS BREAKDOWN

KIT COMPONENTS			
REF. NUMBER	QUANTITY	DESCRIPTION	PART NUMBER
1	12*	PANEL LOUVER TOP	075-29580-000
2	4	Z CHANNEL	075-29588-000
3	8**	Z CHANNEL DXST	075-29589-000
4	2	PANEL VANITY RH	075-29591-000
5	2	PANEL VANITY LH	075-29592-000
6	10***	PANEL LOUVER LOWER	075-29581-000
7	1	PANEL LOUVER BOTTOM	075-29582-000
8	1	PANEL LOUVER BOTTOM	075-29584-000
9	2	ANGLE SUPPORT	075-29587-000
10	2	COVER PLATE	075-31619-000
11	2	PANEL LOUVER	075-29585-000
12	1	REAR SUPPORT	075-29590-000

* Quantity of 10 required for YCAS0685 AND 16 required for YCAS0965

** Quantity of 6 required for YCAS0685 AND 12 required for YCAS0965

*** Quantity of 8 required for YCAS0685 AND 14 required for YCAS0965

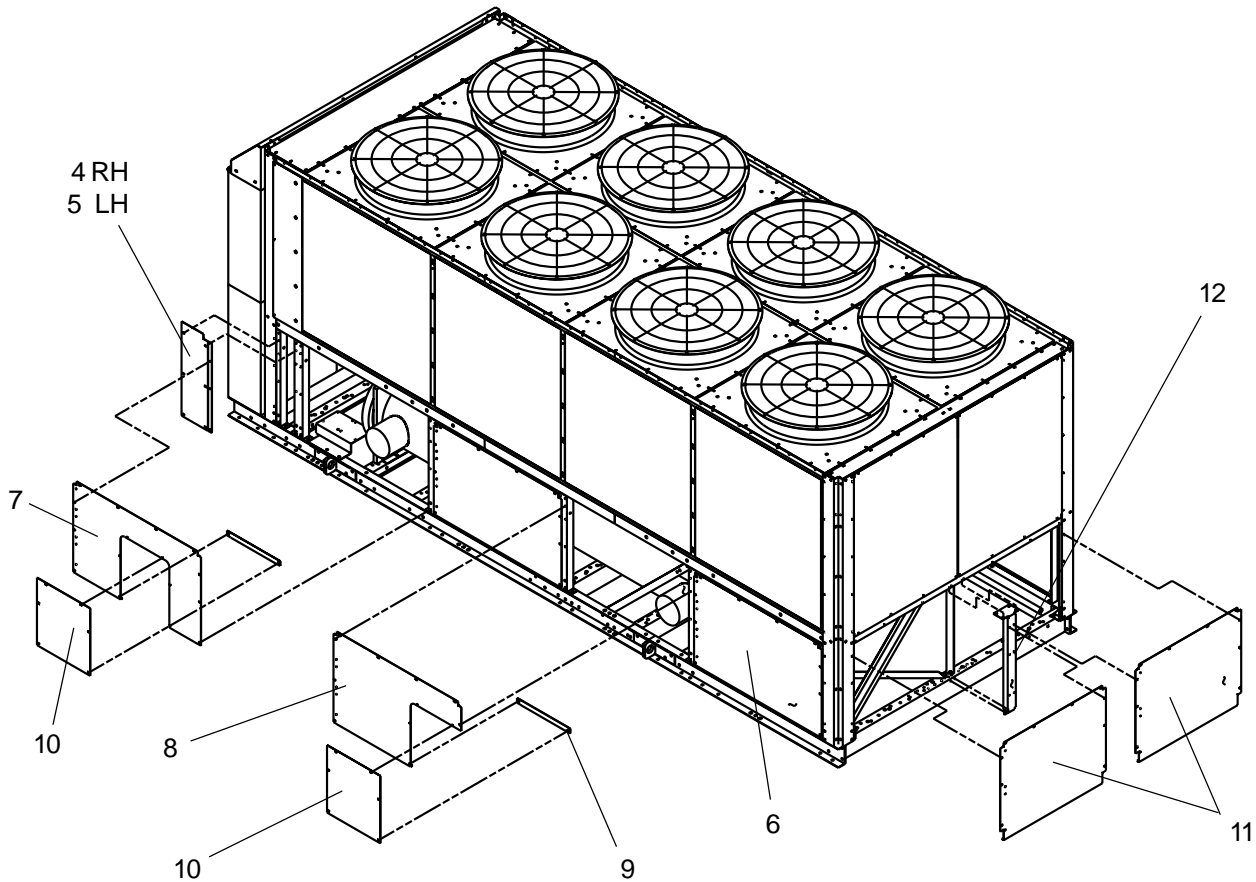
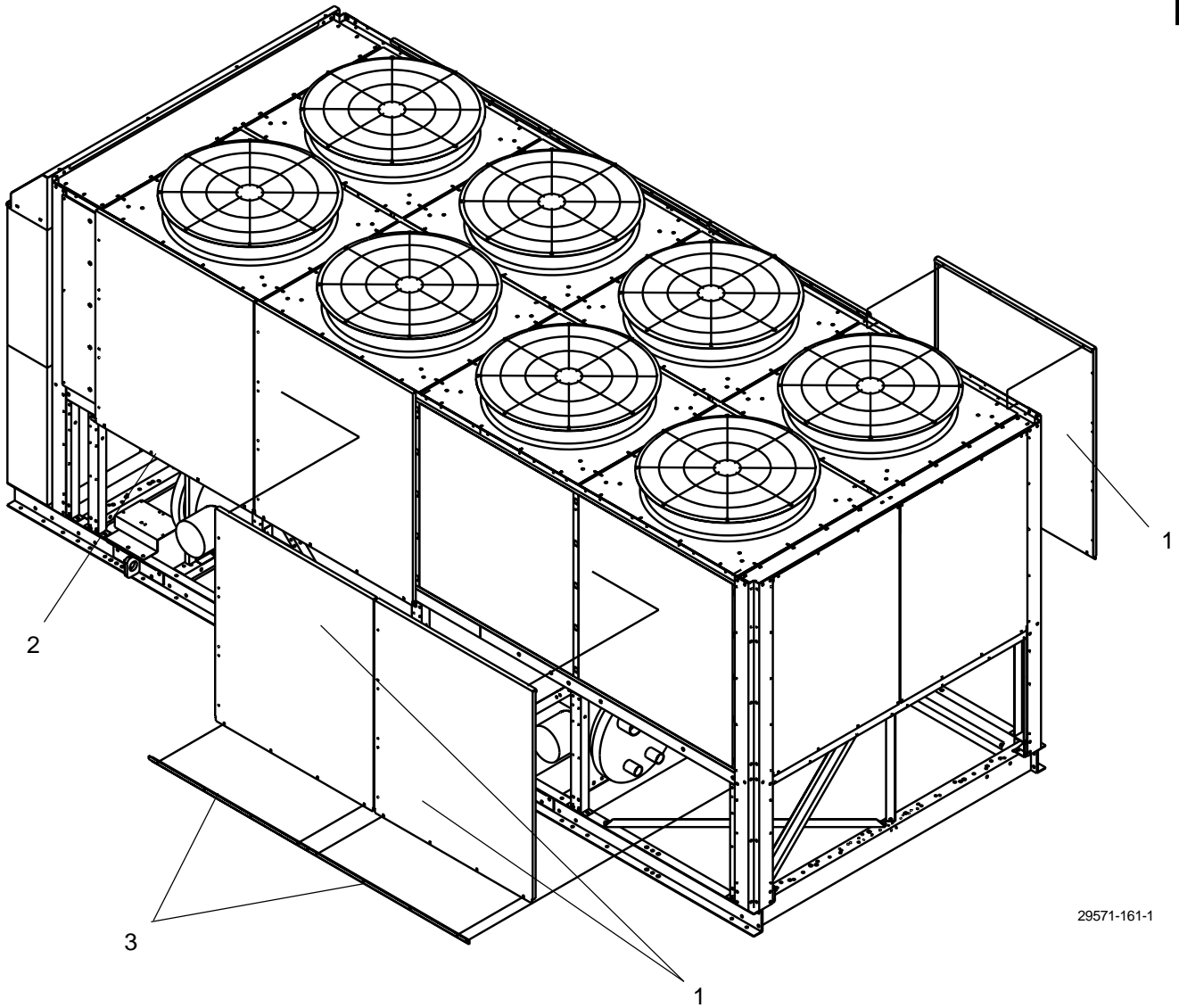


FIG. 31 – LOUVERED ENCLOSURE - 16'-0" KIT IS SHOWN.

29571-161-1

LOUVERED ENCLOSURE PARTS BREAKDOWN - CONT'D



29571-161-1

FIG. 32 – LOUVERED ENCLOSURE - CONT'D - 16'-0" KIT IS SHOWN.

REMOTE CURRENT/TEMPERATURE RESET WIRING

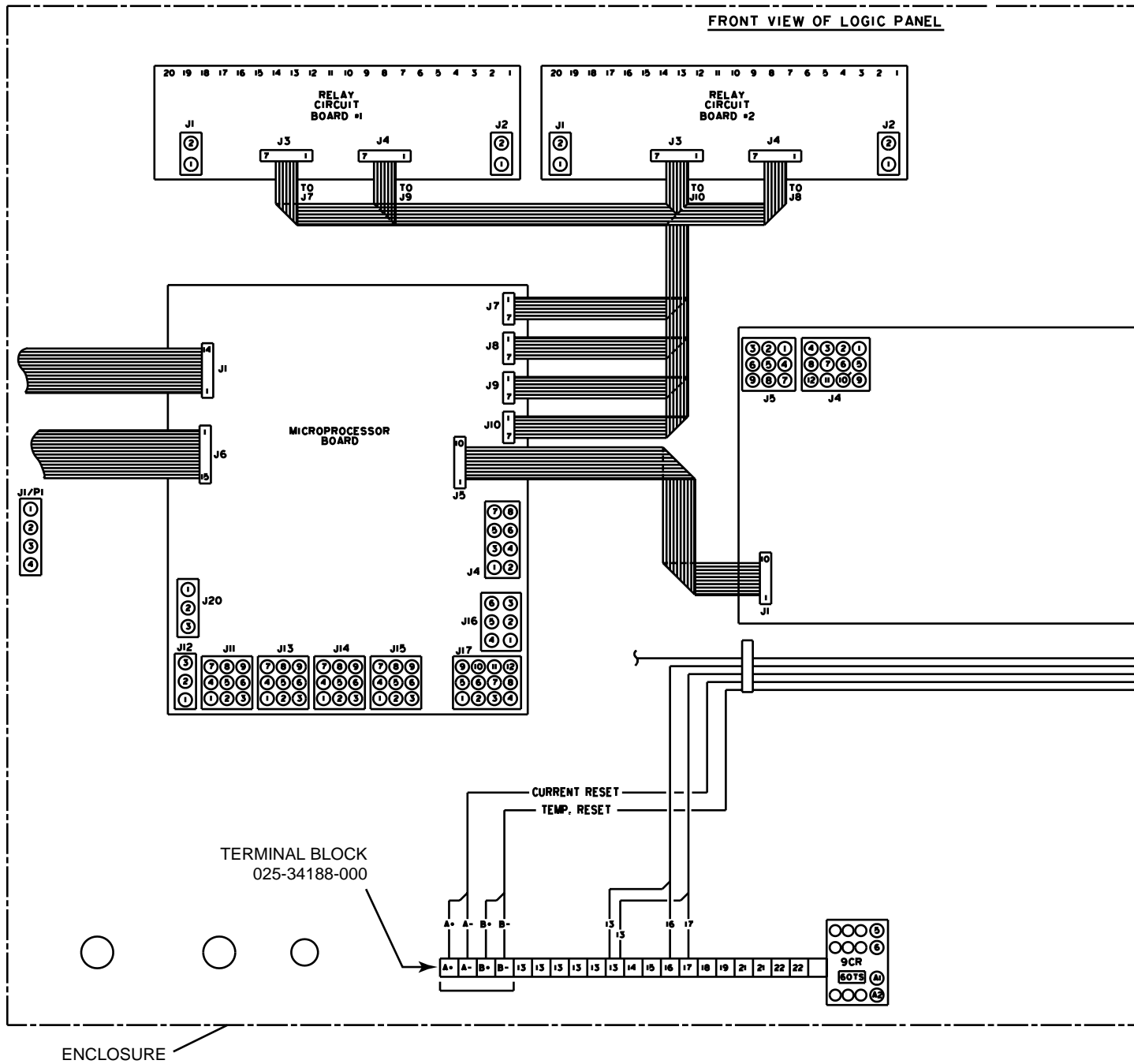


FIG. 33 – REMOTE CURRENT/TEMPERATURE RESET WIRING KIT

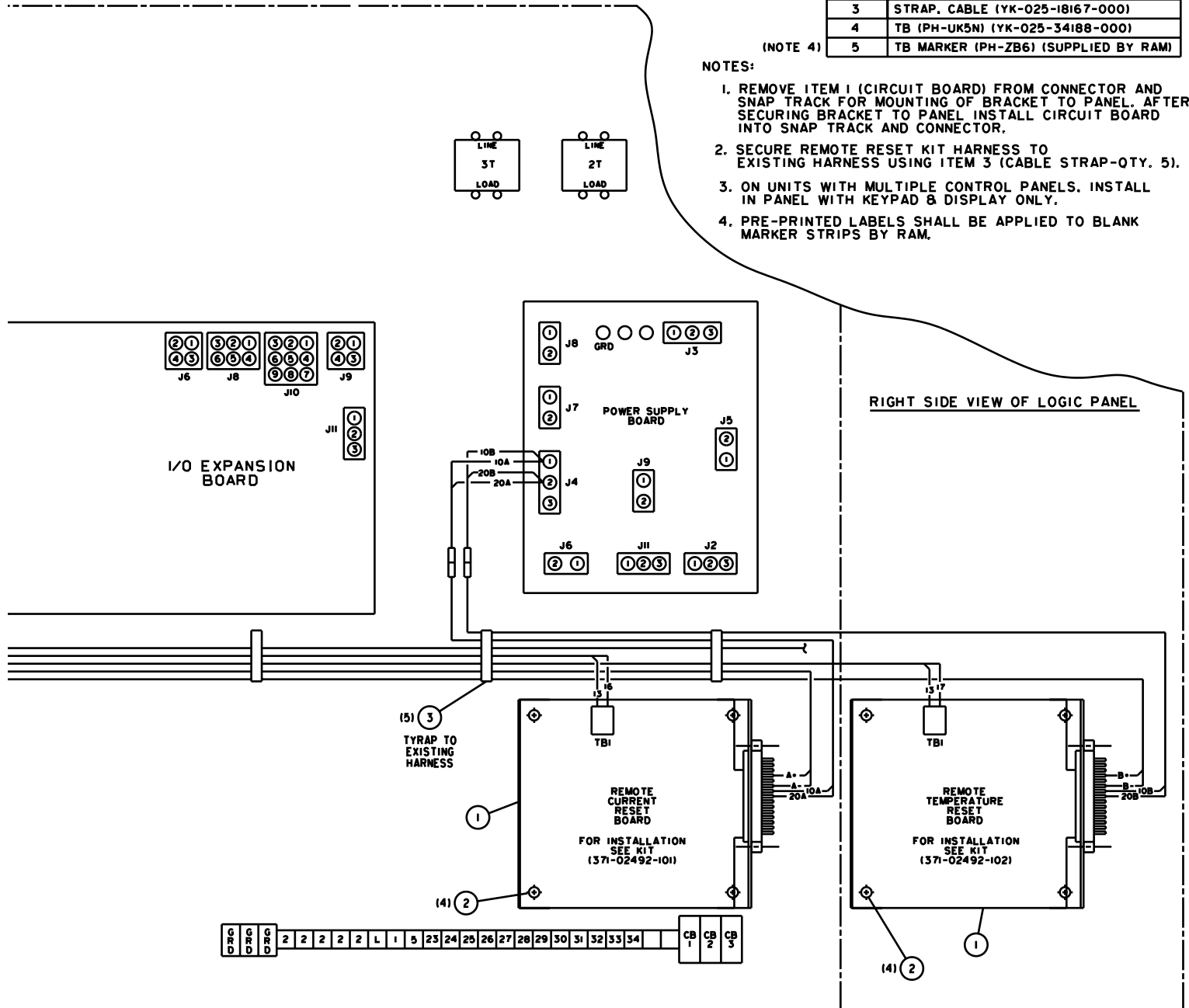
REMOTE CURRENT/TEMPERATURE RESET WIRING

ITEM	DESCRIPTION
1	CONTROL
2	SCREW, PAN HD. #10 X 1/2
3	STRAP, CABLE (YK-025-18167-000)
4	TB (PH-UK5N) (YK-025-34188-000)
5	TB MARKER (PH-ZB6) (SUPPLIED BY RAM)

(NOTE 4)

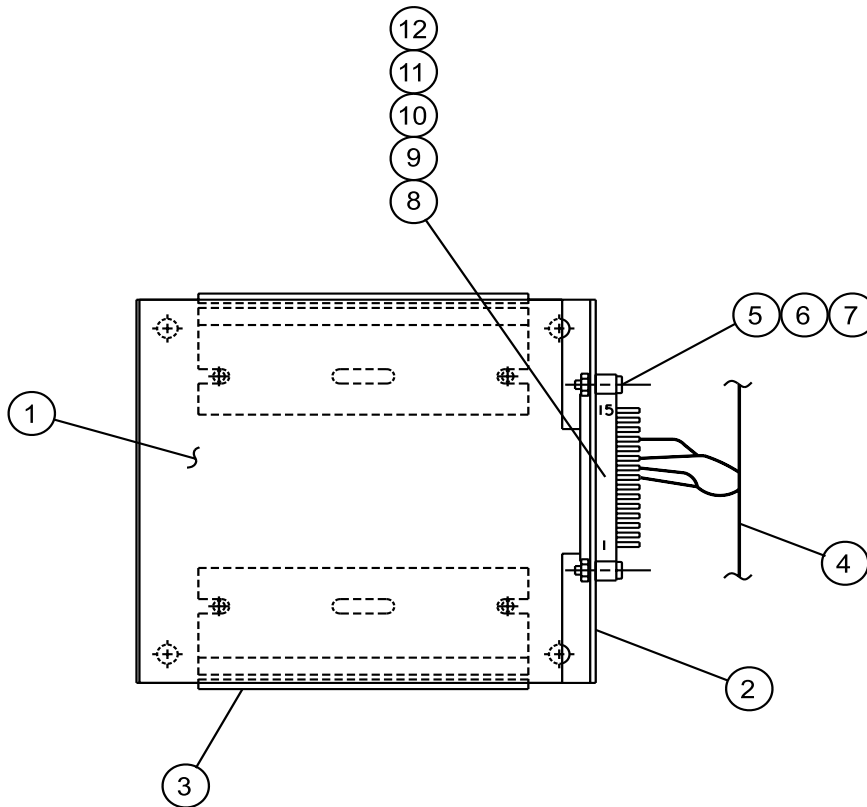
NOTES:

1. REMOVE ITEM 1 (CIRCUIT BOARD) FROM CONNECTOR AND SNAP TRACK FOR MOUNTING OF BRACKET TO PANEL. AFTER SECURING BRACKET TO PANEL INSTALL CIRCUIT BOARD INTO SNAP TRACK AND CONNECTOR.
2. SECURE REMOTE RESET KIT HARNESS TO EXISTING HARNESS USING ITEM 3 (CABLE STRAP-QTY. 5).
3. ON UNITS WITH MULTIPLE CONTROL PANELS, INSTALL IN PANEL WITH KEYPAD & DISPLAY ONLY.
4. PRE-PRINTED LABELS SHALL BE APPLIED TO BLANK MARKER STRIPS BY RAM.



LD05854

REMOTE CURRENT/TEMPERATURE RESET PARTS BREAKDOWN



LD05256

FIG. 34 – REMOTE CURRENT/TEMPERATURE RESET COMPONENTS

TABLE 27 – REMOTE CURRENT (371-02492-101) OR TEMPERATURE (371-02492-102) RESET KIT NUMBERS

REF. NUMBER	QUANTITY	DESCRIPTION	PART NUMBER
1	1	CONTROL, REMOTE CURRENT/TEMP	031-00814-000
2	1	BRACKET, REMOTE CURRENT/TEMP RESET	371-01232-361
3	1	TRACK, SNAP	071-01232-363
4	1	WIRING, REMOTE CURRENT/TEMP RESET	571-02492-231*
5	2	SCREW MACH. PAN HD #4	021-17594-000
6	2	NUT HEX MACH SCREW #4 - 40 UNC-2B	021-10056-000
7	2	LKWASH HEL. SPG. #4 REG.	021-17576-000

* Refer to Table 28 below for individual harness parts.

TABLE 28 – REMOTE RESET WIRING

REF. NUMBER	QUANTITY	DESCRIPTION	PART NUMBER
8	2	CONT SOC AWG WIRE SIZE 20	025-19674-000
9	2	TERMINAL PUSH ON STRAIGHT	025-06642-000
10	4	TUBING HEAT SHRINKABLE 1/8 ID	025-29632-000
11	1	HGS CONNECTOR ELECTRICAL PLUG	025-32564-000*
12	1	CONNECTOR EDGE, 15 POSITION, 0.125	025-29631-000

* Was P/N 025-21137-000 prior to Spring 2000.

REMOTE CONTROL CENTER

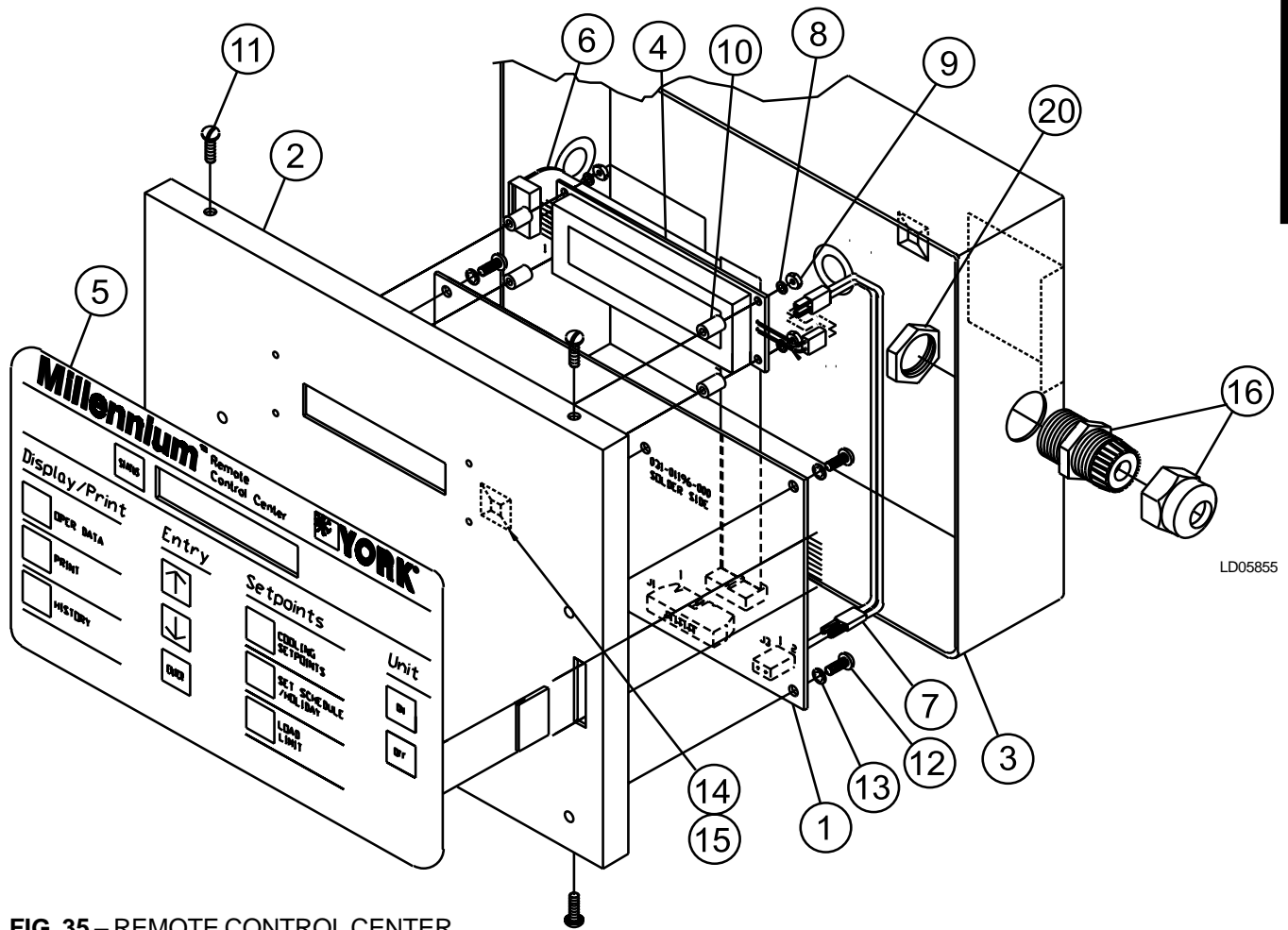


FIG. 35 – REMOTE CONTROL CENTER

TABLE 29 – REMOTE CONTROL CENTER

371-02485-105 (50 HZ)			
REF. NUMBER	QUANTITY	DESCRIPTION	PART NUMBER
1	1	CONTROL, MICROBOARD	031-01196-000
2	1	COVER, REMOTE CONTROL	371-02485-311
3	1	BASE, REMOTE CONTROL	071-02485-320
4	1	DISPLAY, LCD	031-01110-000
5	1	SWITCH, KEYPAD	024-30930-000
6	1	RIBBON CABLE	071-01289-211
7	1	WIRE CABLE	071-01289-212
10	4	SPACER, NYLON 1/4 OD X 7/16 LG.	021-17575-000
11	4	SCREW TAP THD. FORM TYPE AB	021-14150-000
14	3	CABLE TIE MOUNT	025-25155-000
15	5	CABLE TIE	025-18167-000
16	1	CABLE FITTING	025-31732-000
17	2	INSULATOR, RECIPAK, ROOFTOP	071-01730-000
18	2	MODULE, LAN TRANSIENT PROTECTION (LTP)	031-01586-000
19	1	INSTALLATION INSTRUCTIONS	071-01289-002
20	1	NUT, LOCKING, HEYCO	025-31732-000
21	1	OPERATOR'S MANUAL	201.18-NM1.2

RECOMMENDED SPARE PARTS

York Model YCAS Style F (407c) Air Cooled Screw Chillers
Suggested Spare Parts List for Critical Duty Applications

TABLE 30 – RECOMMENDED SPARE PARTS

PAGE REF. & ITEM NUMBER	DESCRIPTION	PART NUMBER
Page 5, Item 6	Gasket, Pass Baffle and Head	See Table 1
Page 5, Item 7	Heater, Cooler 280 Watt	See Table 1
Page 8 and 9, Item 1	Fan Motor	See Table 4 and 5
Page 8 and 9, Item 2	Fan Blade	See Table 4 and 5
Page 10, Item 1	Valve, Thermal Expansion (Cooler)	See Table 6
Page 10, Item 2	Valve, Thermal Expansion (Econom.)	See Table 6
Page 10, Item 5	Core, Dehydrator	026-18328-000
Page 10, Item 15	Coil, Solenoid	See Table 6
Page 19, Item 50	Oil filter cartridge	026-35601-000
Page 19, Item 69	O-ring for above filter	028-13849-000
Page 19, Item Oil	York Type L oil, POE, 5 gal.*	011-00592-000
Page 25, Item 40	Valve, Capacity Control	025-33205-000
Page 26, Item 2	MicroBoard	031-01095-002
Page 26, Item 3	Power Supply Board	031-01094-000
Page 26, Item 4	Relay Circuit Board	031-01093-000
Page 34, Item 1	Sensor, Outside Air Temp.	025-28663-001
Page 34, Item 2	Sensor, Water Temp. (All)	025-29964-000
Page 34, Item 3	Sensor, Oil Temp.	025-30440-000
Page 34, Item 4	Sensor, Discharge Temp.	025-32924-000
Page 34, Item 5	Sensor, Suction Temp.	025-28935-000
Page 34, Item 6	HP Cut-out (USA Std.)	025-30480-000
Page 34, Item 7	Transducer, Suction 0-200 PSI	025-29583-000
Page 34, Item 8	Transducer, Discharge 0-400 PSI	025-29139-001
Page 38-42, Item 3	Motor Protector Module	024-30907-000

*Type L oil is used with both R-22 and R-407C refrigerants.

- Chiller Paint, 12 oz. Spray
York Part #TAJ3721037 (Desert Tan)

All parts should be purchased from your local YORK Sales And Service Center shown on inside back cover.

YORK SERVICE OFFICES (North America)

ALABAMA

Birmingham
YORK International Corp.
(205) 987-0458

ARIZONA

Phoenix
YORK International Corp.
(602) 220-9400

CALIFORNIA

Los Angeles
YORK International Corp.
(714) 897-0997
San Diego
YORK International Corp.
(858) 268-0770
San Francisco
YORK International Corp.
(925) 426-1166

COLORADO

Denver
YORK International Corp.
(303) 649-1500

CONNECTICUT

Danbury
YORK International Corp.
(203) 730-8100

FLORIDA

Miami
YORK International Corp.
(954) 389-9675
Tampa
YORK International Corp.
(813) 621-1323
Orlando
YORK International Corp.
(407) 444-2261

GEORGIA

Atlanta
YORK International Corp.
(678) 474-9237

HAWAII

Honolulu
YORK International Corp.
(808) 596-0761

ILLINOIS

Chicago
YORK International Corp.
(847) 520-1910

INDIANA

Indianapolis
YORK International Corp.
(317) 595-3050

KENTUCKY

Louisville
YORK International Corp.
(502) 499-6020

LOUISIANA

New Orleans
YORK International Corp.
(504) 464-6941

MARYLAND

Baltimore/Washington
YORK International Corp.
(410) 720-6383

MASSACHUSETTS

Boston
YORK International Corp.
(781) 769-7950

MICHIGAN

Detroit
YORK International Corp.
(248) 689-7277

MINNESOTA

Minneapolis
YORK International Corp.
(763) 780-4446

MISSOURI

Kansas City
YORK International Corp.
(816) 221-9675
St. Louis
YORK International Corp.
(314) 770-0909

NEBRASKA

Omaha
YORK International Corp.
(402) 593-0632

NEVADA

Las Vegas
YORK International Corp.
(702) 873-2200

NEW JERSEY

Newark
YORK International Corp.
(732) 225-0606

NEW MEXICO

Albuquerque
YORK International Corp.
(505) 797-4956

NEW YORK

Albany
YORK International Corp.
(518) 464-6500
Buffalo
YORK International Corp.
(716) 633-2172
New York
YORK International Corp.
(212) 843-1602

NORTH CAROLINA

Charlotte
YORK International Corp.
(704) 598-0000
Greensboro
YORK International Corp.
(336) 299-9675
Raleigh
YORK International Corp.
(919) 431-9675

OHIO

Cincinnati
YORK International Corp.
(513) 489-8871
Cleveland
YORK International Corp.
(216) 447-0696
Columbus
YORK International Corp.
(614) 841-5242

PENNSYLVANIA

Philadelphia
YORK International Corp.
(610) 640-2320
Pittsburgh
YORK International Corp.
(412) 364-6600
York (HQ)
YORK International Corp.
(717) 771-7890

SOUTH CAROLINA

Greenville
YORK International Corp.
(864) 627-9675

TENNESSEE

Kingsport
YORK International Corp.
(423) 349-2450
Nashville
YORK International Corp.
(615) 833-9675

TEXAS

Austin
YORK International Corp.
(512) 481-0220
Beaumont
YORK International Corp.
(409) 840-5256
Dallas
YORK International Corp.
(972) 241-1219
Houston
YORK International Corp.
(713) 782-5200
San Antonio
YORK International Corp.
(210) 496-6631

UTAH

Salt Lake City
YORK International Corp.
(801) 261-1200

VIRGINIA

Richmond
YORK International Corp.
(804) 359-2648

WASHINGTON

Seattle
YORK International Corp.
(425) 251-9145

CANADA

Ottawa, Ontario
(613) 596-9111
Toronto, Ontario
(905) 890-6812
Laval, Quebec
(514) 387-6000

YORK Applied Systems field office listing subject to change.
See us on the web at <http://www.york.com> for additional information.

