



**AIR-COOLED LIQUID CHILLERS
HERMETIC SCROLL 60 HZ**

RENEWAL PARTS

New Release

Form: 150.62-RP4 (503)

**MODELS YCAL0014EC, 0020, 0024, 0030, 0034, 0040, 0042, 0044,
0050, 0060, 0064, 0070, 0074, AND YCAL0080EC
STYLE "C"**



29302A



10 - 70 TON
35 - 246 Kw
60 Hz



200-3-60
230-3-60
315-3-60
460-3-60
575-3-60
MODELS ONLY

TABLE OF CONTENTS

	PAGE
UNIT NOMENCLATURE NAMEPLATE ENGINEERING DATA	3
EVAPORATOR	
EVAPORATOR COMPONENTS	4
CONDENSER	
CONDENSER COIL COMPONENTS	8
FAN	
FAN COMPONENTS	10
PIPING	
REFRIGERANT AND OIL PIPING COMPONENTS	11
COMPRESSOR	
COMPRESSOR	16
CONTROL AND POWER PANELS	
CONTROL PANEL AND POWER PANEL	22
SENSOR HARNESES	75
TRANSDUCERS, PRESSURE CUTOUTS AND TEMP SENSORS	78
WIRE HARNESS CONNECTORS - FIELD REPLACEMENT PART NUMBERS	79
CHILLER OPTIONS	
YCAL CHILLER OPTIONS - KITS	80
ENCLOSURE KIT OPTIONS	82
REMOTE CONTROL CENTERS	88
REMOTE CURRENT/TEMPERATURE RESET PARTS BREAKDOWN	90
RECOMMENDED SPARE PARTS	91

WARNING

HIGH VOLTAGE

**Is used in the operation of this equipment.
DEATH OR SERIOUS INJURY**

may result if personnel fail to observe safety precautions.

Work on electronic equipment should not be undertaken unless the individual(s) have been trained in the proper maintenance of equipment and is (are) familiar with its potential hazards.

Shut off power supply to the equipment before beginning work and follow lockout procedures. When working inside equipment with power off, take care to discharge every capacitor likely to hold dangerous potential.

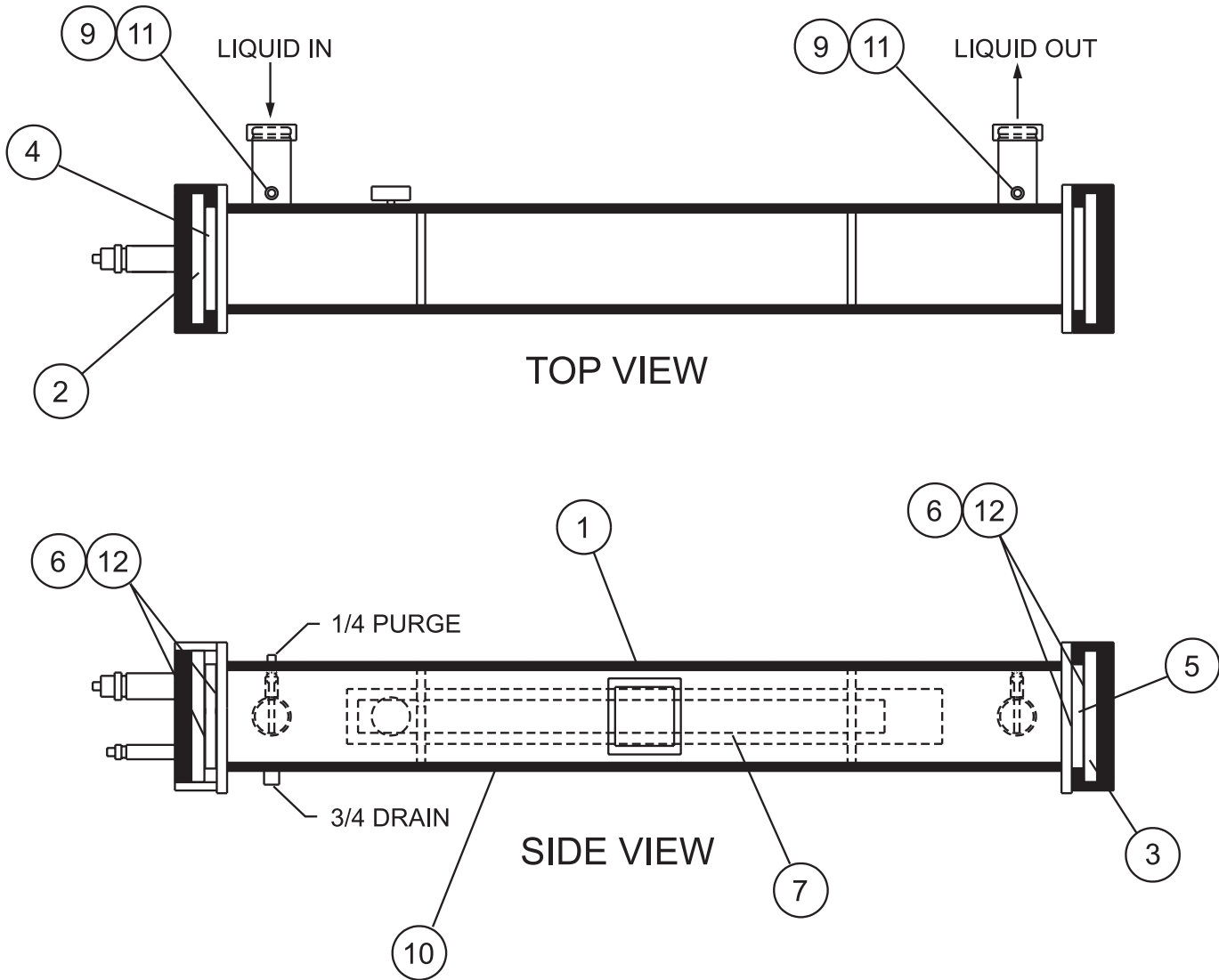
Be careful not to contact high voltage connections when installing or operating this equipment.

LOW VOLTAGE

DO NOT be misled by the term "low voltage." Voltages as low as 50 volts may cause death.

EVAPORATOR COMPONENTS

Service Note: Pin Location 38 in Model Number will be
 "X" for 150# cooler.
 "3" for 300# cooler.



FLOW SWITCHES:

Standard 150# DWP cooler - 024-26116-000

Optional 300# DWP cooler - 024-12144-000

30968-000

FIG. 1 –EVAPORATOR COMPONENTS - MODELS YCAL0014 AND YCAL0020 SHOWN
 (REF. TABLES 1 AND 2, PAGES 5 AND 6)

EVAPORATOR COMPONENTS (CONT'D)

TABLE 1 – EVAPORATOR COMPONENTS - 150 PSIG (SEE FIG. 1, PAGE 4)

ITEM NUMBER	QTY. PER UNIT	DESCRIPTION	DWP	UNIT MODEL YCAL0014 & 0020	UNIT MODEL YCAL0024	UNIT MODEL YCAL0030 & 0034
1	1	Evaporator, less Heater & Insulation (Items 2 thru 6)	ALL	375-44214-000 (8" X 72")	375-44212-000 (8" X 78")	375-46006-000 (8" X 90")
2	1	Head, Conn. End	ALL	375-44209-000	375-44209-000	375-46012-000
3	1	Head, Back End	ALL	075-31716-000	075-31716-000	075-46017-000
4	1	Baffle, Pass, Conn. End	ALL	376-60141-000	376-60141-000	075-46014-000
5	1	Baffle, Pass, Back End	ALL	076-60140-000	076-60140-000	075-46009-000
6	4	Gasket, Pass Baffle and Head	ALL	075-49378-000	075-49378-000	075-49362-000
7	1	Heater, Cooler 180 Watt	ALL	025-27995-001	025-27995-001	025-27995-002
9	2	Well, Thermo	ALL	026-37512-000	026-37512-000	026-32328-000
10	-	Insulation (3/4" x 49" x 65")	ALL	010-05997-000	010-05997-000	010-05997-000
	-	Insulation (1 1/2" x 49" x 65")	ALL	010-05998-000	010-05998-000	010-05998-000
11	2	Sensor, Water Temp.	ALL	025-29964-000	025-29964-000	025-29964-000
12	1	Adhesive (Use with #6)	ALL	013-03311-000	013-03311-000	013-03311-000

TABLE 1 (CONT'D) – EVAPORATOR COMPONENTS - 150 PSIG (SEE FIG. 1, PAGE 4)

ITEM NUMBER	QTY. PER UNIT	DESCRIPTION	DWP	UNIT MODEL YCAL0040, 0042 0044, 0050 & 0060	UNIT MODEL YCAL0064, 0070 & 0074	UNIT MODEL YCAL0080
1	1	Evaporator, less Heater & Insulation (Items 2 thru 6)	150	375-46546-000 (10" x 90")	375-46542-000 (12" x 104")	375-46535-000 (12" x 104")
2	1	Head, Conn. End	ALL	375-43598-000	375-46210-000	375-44348-000
3	1	Head, Back End	ALL	075-44342-000	075-46215-000	075-44321-000
4	1	Baffle, Pass, Conn. End	ALL	375-43597-000	375-46209-000	375-44338-000
5	1	Baffle, Pass, Back End	ALL	375-43596-000	375-46208-000	375-44337-000
6	4	Gasket, Pass Baffle and Head	ALL	075-49369-000	075-49361-000	075-49365-000
7	1	Heater, Cooler 280 or 420 Watt	ALL	025-22691-000	025-22692-000	025-22691-000
9	2	Well, Thermo	ALL	026-32328-000	026-32328-000	026-32328-000
10	-	Insulation (3/4" x 49" x 65")	ALL	010-05997-000	010-05997-000	010-05997-000
	-	Insulation (1 1/2" x 49" x 65")	ALL	010-05998-000	010-05998-000	010-05998-000
11	2	Sensor, Water Temp.	ALL	025-29964-000	025-29964-000	025-29964-000
12	1	Adhesive (Use with #6)	ALL	013-03311-000	013-03311-000	013-03311-000

EVAPORATOR COMPONENTS (CONT'D)

TABLE 2 – EVAPORATOR COMPONENTS - 300 PSIG (SEE FIG. 1, PAGE 4)

ITEM NUMBER	QTY. PER UNIT	DESCRIPTION	DWP	UNIT MODEL YCAL0014 & 0020	UNIT MODEL YCAL0024	UNIT MODEL YCAL0030 & 0034
1	1	Evaporator, less Heater & Insulation (Items 2 thru 6)	ALL	375-41455-000 (8" X 72")	375-41456-000 (8" X 78")	375-46577-000 (8" X 90")
2	1	Head, Conn. End	ALL	375-41461-000	375-41461-000	375-46012-000
3	1	Head, Back End	ALL	075-31716-000	075-31716-000	075-46017-000
4	1	Baffle, Pass, Conn. End	ALL	376-60141-000	376-60141-000	075-46014-000
5	1	Baffle, Pass, Back End	ALL	076-60140-000	076-60140-000	075-46009-000
6	4	Gasket, Pass Baffle and Head	ALL	075-49378-000	075-49378-000	075-49362-000
7	1	Heater, Cooler 180 Watt	ALL	025-27995-001	025-27995-001	025-27995-002
9	2	Well, Thermo	ALL	026-37512-000	026-37512-000	026-32328-000
10	-	Insulation (3/4" x 49" x 65")	ALL	010-05997-000	010-05997-000	010-05997-000
	-	Insulation (1 1/2" x 49" x 65")	ALL	010-05998-000	010-05998-000	010-05998-000
11	1	Sensor, Water Temp.	ALL	025-29964-000	025-29964-000	025-29964-000
12	1	Adhesive (Use with #6)	ALL	013-03311-000	013-03311-000	013-03311-000

TABLE 2 (CONT'D) – EVAPORATOR COMPONENTS - 300 PSIG (SEE FIG. 1, PAGE 4)

ITEM NUMBER	QTY. PER UNIT	DESCRIPTION	DWP	UNIT MODEL YCAL0040, 0042 0044, 0050 & 0060	UNIT MODEL YCAL0064, 0070 & 0074	UNIT MODEL YCAL0080
1	1	Evaporator, less Heater & Insulation (Items 2 thru 6)	150	375-46575-000 (10" x 90")	375-46571-000 (12" x 104")	375-46567-000 (12" x 104")
2	2	Head, Conn. End	ALL	375-43598-000	375-46210-000	375-44348-000
3	1	Head, Back End	ALL	075-44342-000	075-46215-000	075-44321-000
4	1	Baffle, Pass, Conn. End	ALL	375-43597-000	375-46209-000	375-46338-000
5	1	Baffle, Pass, Back End	ALL	375-43596-000	375-46208-000	375-44337-000
6	4	Gasket, Pass Baffle and Head	ALL	075-49369-000	075-49361-000	075-49365-000
7	1	Heater, Cooler 280 Watt	ALL	025-22691-000	025-22692-000	025-22691-000
9	2	Bulb, Well	ALL	026-32328-000	026-32328-000	026-32328-000
10	-	Insulation (3/4" x 49" x 65")	ALL	010-05997-000	010-05997-000	010-05997-000
	-	Insulation (1 1/2" x 49" x 65")	ALL	010-05998-000	010-05998-000	010-05998-000
11	2	Sensor, Water Temp.	ALL	025-29964-000	025-29964-000	025-29964-000
12	1	Adhesive (Use with #6)	ALL	013-03311-000	013-03311-000	013-03311-000

This page intentionally left blank

CONDENSER COIL COMPONENTS

Condenser

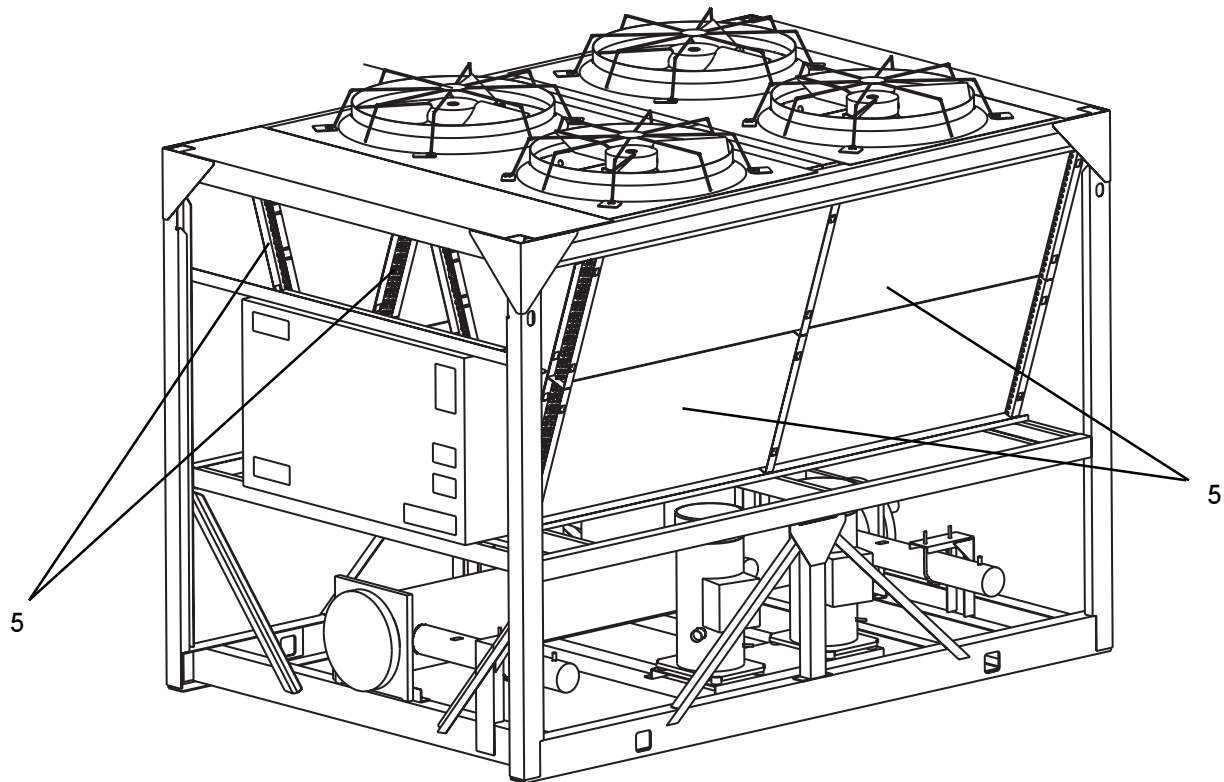
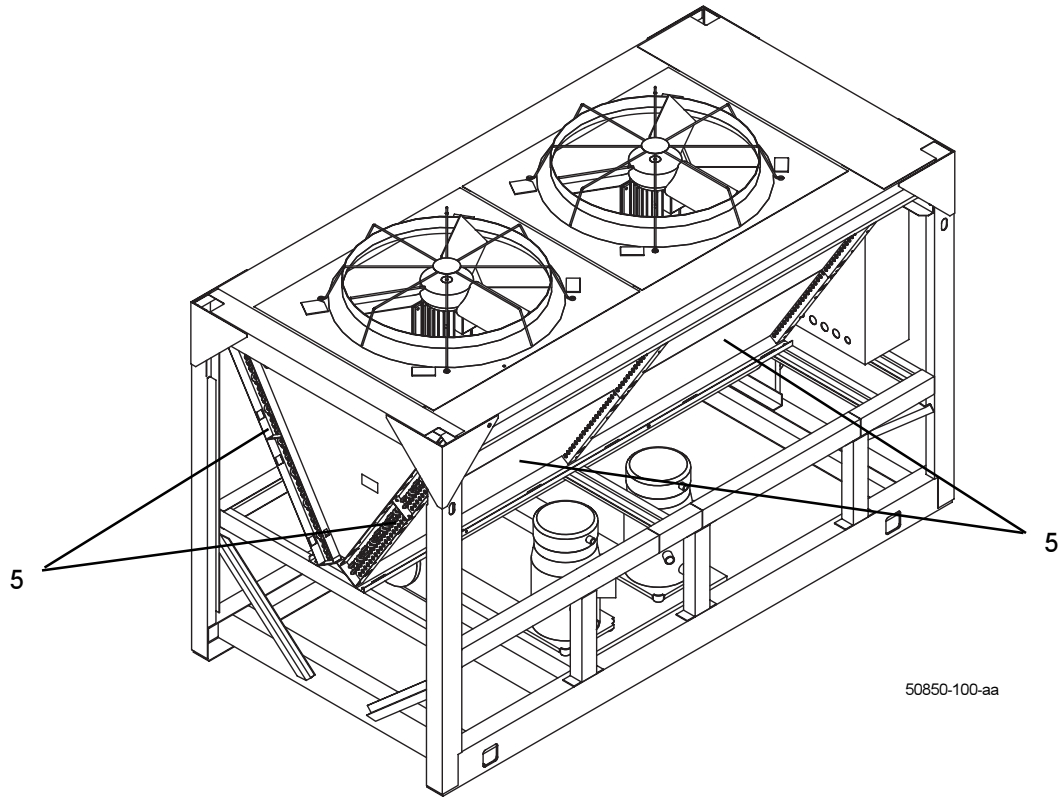


FIG. 2 – CONDENSER COIL LAYOUT (REF. TABLE 3, PAGE 9)

CONDENSOR COIL COMPONENTS (CONT'D)

TABLE 3 – CONDENSER COILS – YCAL0014, 0020, 0024 AND YCAL0030 (SEE FIG. 2, PAGE 8)

ITEM NUMBER	DESCRIPTION	POSITION	QTY	YCAL0014 & YCAL0020	YCAL0024	YCAL0030
ALUMINUM FIN COILS						
5	Coil Module*	Both	4	375-46182-100	375-46182-200	375-46182-300
BLACK FIN COILS						
5	Coil Module*	Both	4	375-46183-100	375-46183-200	375-46183-300
PHENOLIC COILS						
5	Coil Module*	Both	4	375-46184-100	375-46184-200	375-46184-300
COPPER COILS						
5	Coil Module*	Both	4	375-46185-100	375-46185-200	375-46185-300

*Coil Module includes coil and headers.

TABLE 3 – CONDENSER COILS – YCAL0034, 0040, 0042, 0044, 0050, AND YCAL0060 (SEE FIG. 2, PAGE 8)

ITEM NUMBER	DESCRIPTION	POSITION	QTY	YCAL0034	YCAL0040, 0042 0044 & YCAL0050	YCAL0060
ALUMINUM FIN COILS						
5	Coil Module*	Both	8**	375-46182-300(4)	375-46182-400	375-46182-500
BLACK FIN COILS						
5	Coil Module*	Both	8**	375-46183-300(4)	375-46183-400	375-46183-500
PHENOLIC COILS						
5	Coil Module*	Both	8**	375-46184-300(4)	375-46184-400	375-46184-500
COPPER COILS						
5	Coil Module*	Both	8**	375-46185-300(4)	375-46185-400	375-46185-500

*Coil Module includes coil and headers.

**Quantity - unless otherwise noted in parentheses behind part number.

TABLE 3 – CONDENSER COILS – YCAL0064, 0070, 0074 AND YCAL0080 (SEE FIG. 2, PAGE 8)

ITEM NUMBER	DESCRIPTION	POSITION	QTY	YCAL0064	YCAL0070	YCAL0074 AND YCAL0080
ALUMINUM FIN COILS						
5	Coil Module*	Both	8	375-46182-600	375-45259-100	375-45259-100
BLACK FIN COILS						
5	Coil Module*	Both	8	375-46183-600	375-45259-200	375-45259-200
PHENOLIC COILS						
5	Coil Module*	Both	8	375-46184-600	375-45259-300	375-45259-300
COPPER COILS						
5	Coil Module*	Both	8	375-46185-600	375-45259-400	375-45259-400

*Coil Module includes coil and headers.

FAN COMPONENTS

Service Note:

Fan Hub to Shaft Joint should be sealed with protective coating - factory uses RUST VETO 344 - a solvent type, rust preventative coating.

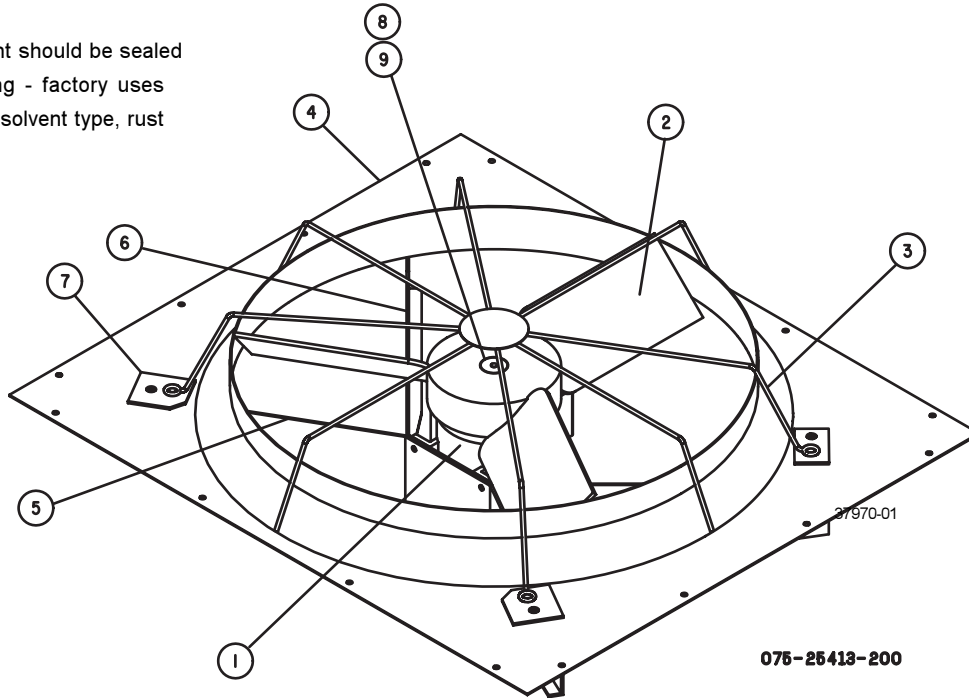


FIG. 3 – FAN COMPONENTS

Service Note: Pin Location 52 in Model Number will be “X” for Standard Fan, or “L” for Low Noise Fan. See page 3.

TABLE 4 – FAN COMPONENTS

ITEM NUMBER	DESCRIPTION	VOLTAGE CODE	FAN TYPE	
			STANDARD 7/8" Ø SHAFT, 1160 RPM	LOW NOISE (OPTIONAL) 7/8" Ø SHAFT, 850 RPM
1 ^s	Motor, Fan 2 HP (YCAL0014-YCAL0080)	-17	024-30900-002	024-30933-002
		-28	024-30900-002	024-30933-002
		-40	024-30900-004	024-30933-004
		-46	024-30900-001	024-30933-001
		-58	024-30900-003	024-30933-003
2 ^s	Blade, (YCAL0014-YCAL0060) Blade, (YCAL0064-YCAL0080)	ALL	026-35607-000	026-36579-000
			026-37577-000	026-37579-000
3	Guard, (YCAL0014-YCAL0060) Guard, (YCAL0064-YCAL0080)	ALL	026-36790-000	026-37521-000
			026-35605-000	026-35605-000
4	Orifice, (YCAL0014-YCAL0060) Orifice, (YCAL0064-YCAL0080)	ALL	026-35070-000	
			026-36141-000	
5	Support, Inner (YCAL0014-YCAL0060) Support, Inner (YCAL0064-YCAL0080)	ALL	075-25413-018	
			075-25584-000	
6	Support, Outer (YCAL0014-YCAL0060) Support, Outer (YCAL0064-YCAL0080)	ALL	075-25413-019	
			075-25583-000	
7	Plate, Reinf. (YCAL0014-YCAL0060) Plate, Reinf. (YCAL0064-YCAL0080)	ALL	075-25413-023	
			075-25413-024	
8	Screw, Cap M8x125 (Not Shown)	ALL	021-18494-000	
9	Spacer, Fan Motor	ALL	075-29007-000	

^s = Recommended Spare Parts

Fans

REFRIGERANT PIPING COMPONENTS CHILLER MODEL YCAL – STYLE C

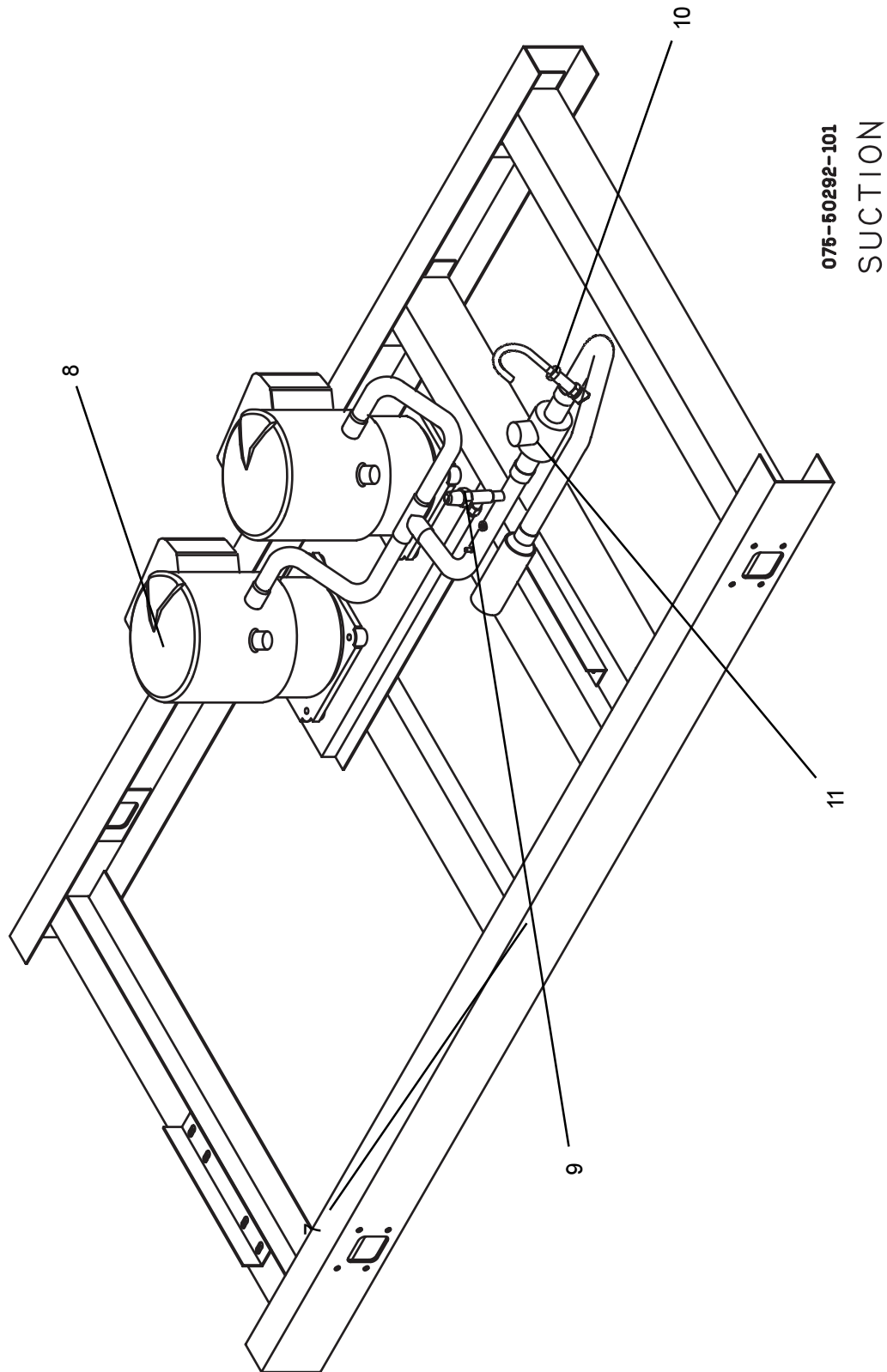


FIG. 4 – REFRIGERANT PIPING COMPONENTS - MODELS YCAL0014, 0020, 0024 AND 0030 SHOWN (REF. TABLE 5, PAGES 14 AND 15)

REFRIGERANT PIPING COMPONENTS CHILLER MODEL YCAL – STYLE C

Piping

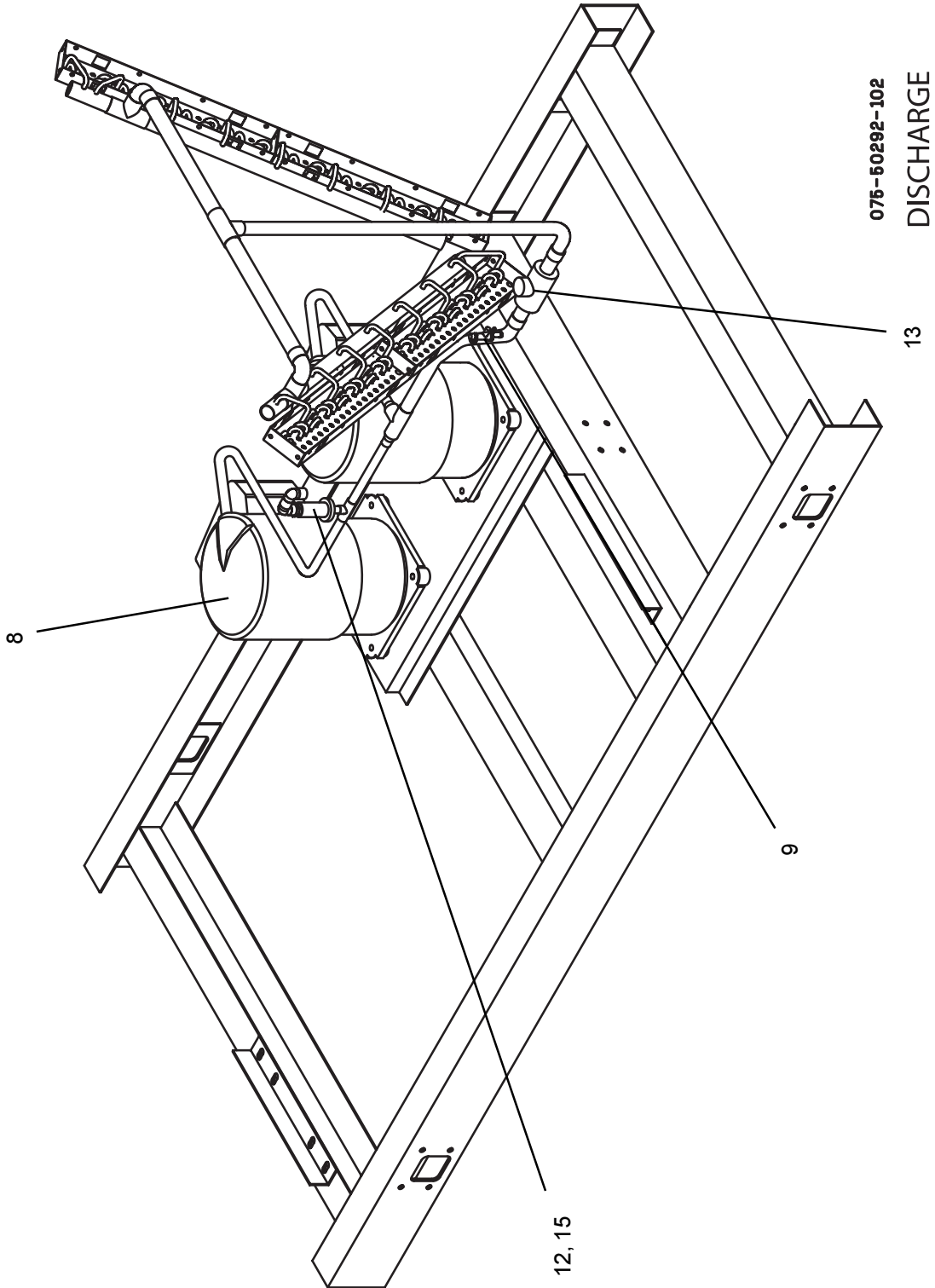


FIG. 4a – REFRIGERANT PIPING COMPONENTS - MODELS YCAL0014, 0020, 0024 AND 0030 SHOWN (REF. TABLE 5, PAGES 14 AND 15)

30689-100-03d

REFRIGERANT PIPING COMPONENTS (CONT'D) CHILLER MODEL YCAL – STYLE C

30689-100-02d

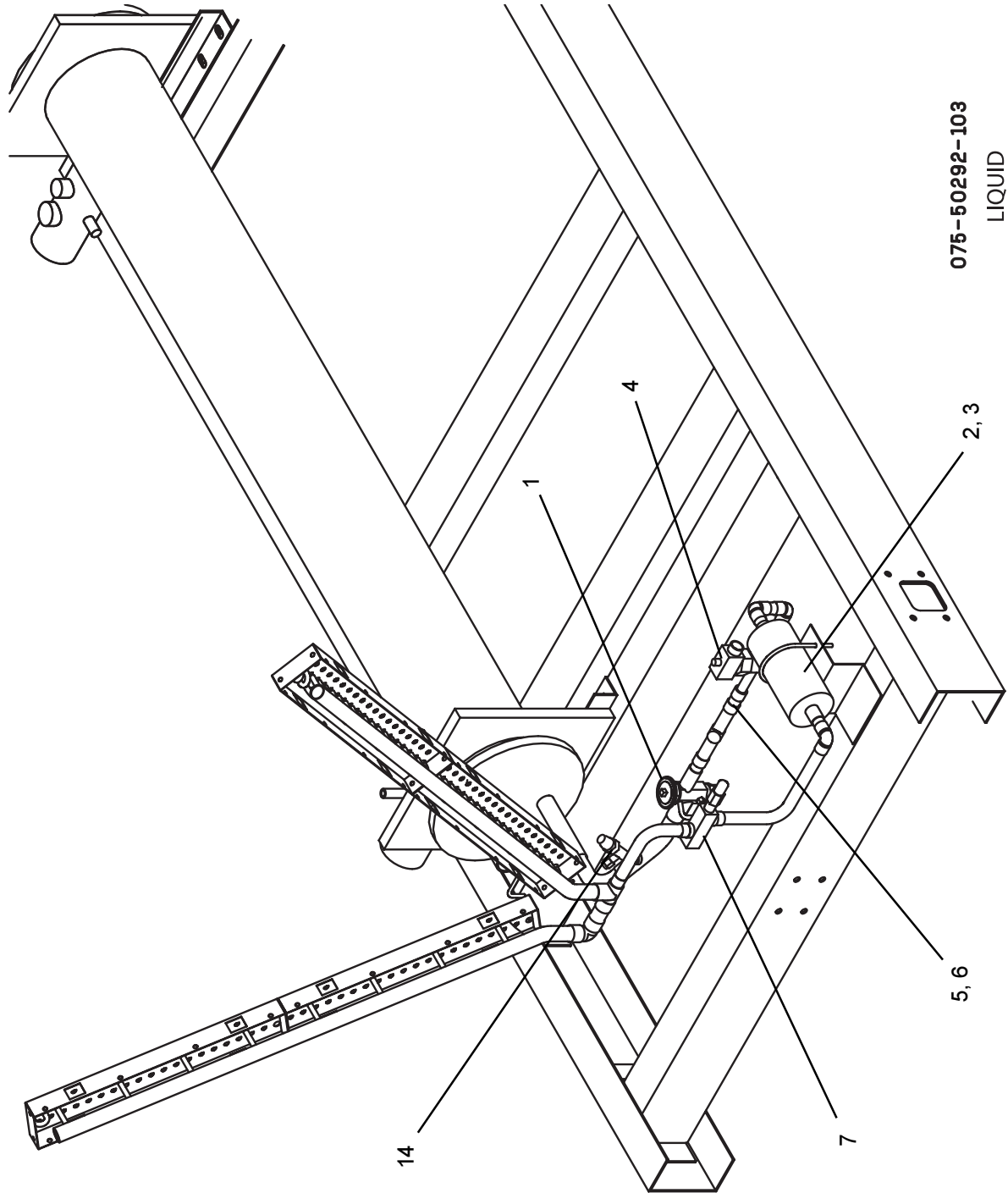


FIG. 4b – REFRIGERANT PIPING COMPONENTS - MODELS YCAL0014, 0020, 0024 AND 0030 SHOWN (REF. TABLE 5, PAGES 14 AND 15)

Piping

REFRIGERANT PIPING COMPONENTS (CONT'D)

CHILLER MODEL YCAL – STYLE C

TABLE 5 – REFRIGERANT PIPING COMPONENTS (SEE FIGS. 4A, 4B AND 4C, PAGES 11, 12 AND 13)

ITEM NO.	SYSTEM	DESCRIPTION	YCAL0014	YCAL0020	YCAL0024	YCAL0030- YCAL0034
1 ^s	1	Valve, Thermal Expansion	025-34156-000	025-27535-000	025-27536-000	025-20213-000
	2		N/A	N/A	N/A	N/A
2	1	Drier (Sealed Type)	026-35634-000	026-35634-000	026-35634-000	026-36510-000
3	N/A	N/A	N/A	N/A	N/A	N/A
4 ^s	1	Valve, Solenoid, Liq. Line*	025-34585-000	025-34585-000	025-34585-000	025-34585-000
	2		N/A	N/A	N/A	N/A
5	1	Moisture Indicator, Body	026-15305-000	026-15305-000	026-15305-000	026-15305-000
	2		N/A	N/A	N/A	N/A
6	Both	Moisture Indicator, Sight Glass, Cap Assembly	N/A	N/A	N/A	N/A
7	1	Valve, Liquid Stop	022-02992-000	022-02992-000	022-02992-000	022-02992-000
	2		N/A	N/A	N/A	N/A
8	Both	Compressor	See Pages 18 and 19 for Compressor Part Numbers			
9	1	Valve, Stop 1/4 NPTE	022-00009-000	022-00009-000	022-00009-000	022-00009-000
10	1	Valve, Relief 350PSIG	022-09800-000	022-09800-000	022-09800-000	022-09800-000
11	1	Valve, Ball (Suction)	022-08883-000	022-08883-000	022-09752-000	022-09752-000
12	1	Valve, Relief 450 PSIG	022-08863-000	022-08863-000	022-08863-000	022-08882-000
13	1	Valve, Ball (Discharge)	022-09749-000	022-09749-000	022-09750-000	022-09750-000
14	1	Valve, Charging Brass	022-09754-000	022-09754-000	022-09754-000	022-09754-000
15	1	Valve, Globe	022-00124-000	022-00124-000	N/A	N/A

ITEM NO.	SYSTEM	DESCRIPTION	YCAL0040	YCAL0042 AND 0044	YCAL0050
1 ^s	1	Valve, Thermal Expansion	025-27535-000	025-27536-000	025-27536-000
	2		025-27535-000	025-27536-000	025-27536-000
2	Both	Drier (Sealed Type)	026-20145-000	026-20145-000	026-20145-000
3	Both	N/A	N/A	N/A	N/A
4 ^s	1	Valve, Solenoid, Liq. Line*	025-34585-000	025-34585-000	025-34585-000
	2		025-34585-000	025-34585-000	025-34585-000
5	1	Moisture Indicator, Body	026-15305-000	026-15305-000	026-15305-000
	2		026-15305-000	026-15305-000	026-15305-000
6	Both	Moisture Indicator, Sight Glass, Cap Assembly	N/A	N/A	N/A
7	1	Valve, Liquid Stop	022-02992-000	022-02992-000	022-02992-000
	2		022-02992-000	022-02992-000	022-02992-000
8	Both	Compressor	See Pages 18 and 19 for Comp. Part Numbers		
9	Both	Valve, Stop 1/4 NPTE	022-00009-000	022-00009-000	022-00009-000
10	Both	Valve, Relief 350PSIG	022-09800-000	022-09800-000	022-09800-000
11	Both	Valve, Ball (Suction)	022-09752-000	022-09752-000	022-08883-000
12	Both	Valve, Relief 450 PSIG	022-08863-000	022-08863-000	022-08882-000
13	Both	Valve, Ball (Discharge)	022-09750-000	022-09750-000	022-09750-000
14	Both	Valve, Charging Brass	022-09754-000	022-09754-000	022-09754-000
15	Both	Valve, Globe	N/A	N/A	N/A

^s Recommended Spare Part

REFRIGERANT PIPING COMPONENTS (CONT'D) CHILLER MODEL YCAL – STYLE C

TABLE 5 (CONT'D) – REFRIGERANT PIPING COMPONENTS (SEE FIGS. 4A, 4B AND 4C, PAGES 11, 12 AND 13)

ITEM NO.	SYSTEM	DESCRIPTION	YCAL0060	YCAL064 - YCAL0070	YCAL0074	YCAL0080
1 ^s	1	Valve, Thermal Expansion	025-20213-000	025-20213-000	025-20213-000	025-32904-000
	2		025-20213-000	025-27536-000	025-20213-000	025-32904-000
2	Both	Drier (Sealed Type)	026-20145-000	026-20145-000	N/A	N/A
	Both	Dehydrator	N/A	N/A	026-30598-000	026-30598-000
3 ^s	Both	Dehydrator Core	N/A	N/A	026-18328-000	026-18328-000
4 ^s	1	Valve, Solenoid, Liq. Line*	025-34585-000	025-33705-000	025-33705-000	025-33705-000
	2		025-34585-000	025-33705-000	025-33705-000	025-33705-000
5	1	Moisture Indicator, Body	026-15305-000	026-37544-000	026-37544-000	026-37544-000
	2		026-15305-000	026-37544-000	026-37544-000	026-37544-000
6	Both	Moisture Indicator, Sight Glass, Cap Assembly	N/A	026-37548-000	026-37548-000	026-37548-000
7	1	Valve, Liquid Stop	022-02992-000	022-10022-000	022-10022-000	022-10022-000
	2		022-02992-000	022-10022-000	022-10022-000	022-10022-000
8	Both	Compressor	See Pages 18 and 19 for Compressor Part Numbers			
9	Both	Valve, Stop 1/4 NPTE	022-00009-000	022-00009-000	022-00009-000	022-00009-000
10	Both	Valve, Relief 350PSIG	022-09800-000	022-09800-000	022-09800-000	022-09800-000
11	Both	Valve, Ball (Suction)	022-09752-000	022-09752-000	022-09752-000	022-09753-000
12	Both	Valve, Relief 450 PSIG	022-08882-000	022-08882-000	022-08882-000	022-08882-000
13	Both	Valve, Ball (Discharge)	022-08883-000	022-08883-000	022-08883-000	022-08883-000
14	Both	Valve, Charging Brass	022-09754-000	022-09754-000	022-09754-000	022-09754-000
15	Both	Valve, Globe	N/A	N/A	N/A	N/A

^s Recommended Spare Part

TABLE 5A – HOT GAS BY-PASS SOLENOID VALVE (025-34133-000) SOLENOID COIL REPLACEMENT

MODEL NUMBERS	VENDOR	DESCRIPTION	PART NUMBER
ALL	SPORLAN	SOLENOID VALVE (COIL ONLY)	025-35151-000
	ALCO		025-35152-000
	DANFOSS		025-35169-000

COMPRESSOR

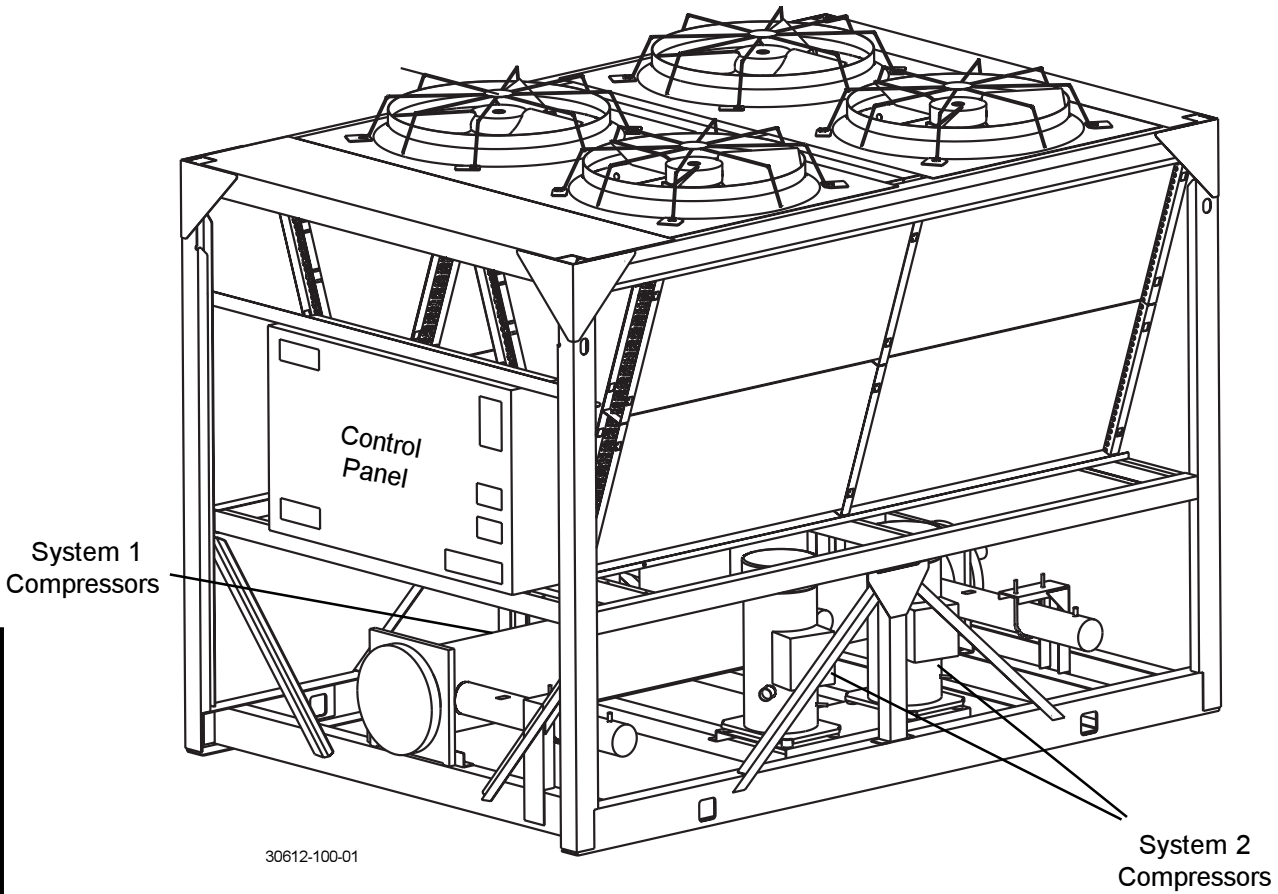


FIG. 5 – COMPRESSOR - TYPICAL LAYOUT (REF. TABLE 6, PAGES 17 AND 18)

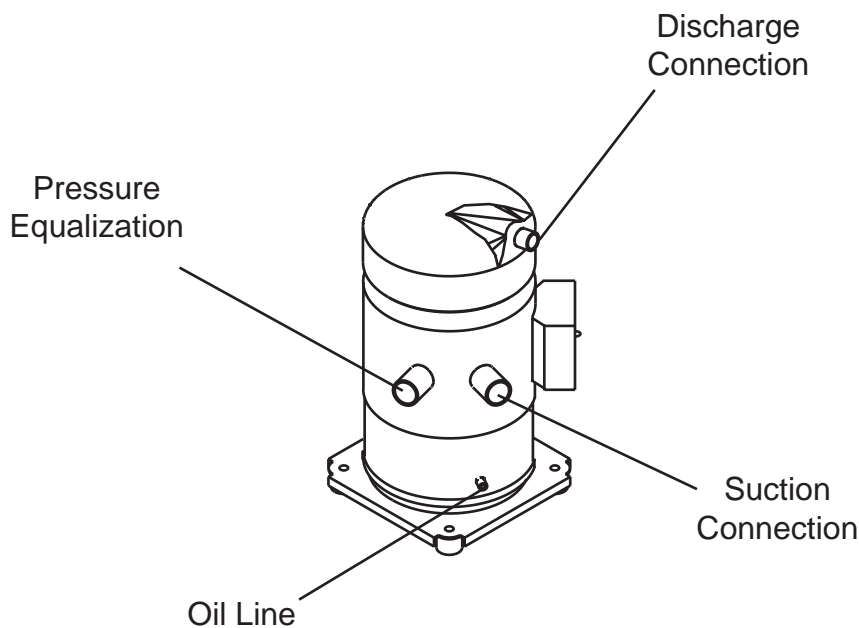


FIG. 5A – COMPRESSOR (REF. TABLE 6, PAGES 17 AND 18)

Compressor

COMPRESSOR (CONT'D)**TABLE 6 – COMPRESSOR PART NUMBERS - R-22**
(SEE FIGS. 5 AND 5A, PAGE 16)**R-22**

MODEL	VOLTAGE CODE	QTY		SYSTEM #1 COMPRESSOR		SYSTEM #2 COMPRESSOR	
		SYS 1	SYS 2	PART #	MODEL #	PART #	MODEL #
YCAL0014	-17	2	N/A	015-02895-101	ZR90K3	N/A	N/A
	-28	2	N/A	015-02895-101	ZR90K3	N/A	N/A
	-40	2	N/A	015-02895-102	ZR90K3	N/A	N/A
	-46	2	N/A	015-02895-104	ZR90K3	N/A	N/A
	-58	2	N/A	015-02895-105	ZR90K3	N/A	N/A
YCAL0020	-17	2	N/A	015-02896-101	ZR12M3	N/A	N/A
	-28	2	N/A	015-02896-101	ZR12M3	N/A	N/A
	-40	2	N/A	015-02896-102	ZR12M3	N/A	N/A
	-46	2	N/A	015-02896-104	ZR12M3	N/A	N/A
	-58	2	N/A	015-02896-105	ZR12M3	N/A	N/A
YCAL0024	-17	2	N/A	015-02897-101	ZR16M3	N/A	N/A
	-28	2	N/A	015-02897-101	ZR16M3	N/A	N/A
	-40	2	N/A	015-02897-102	ZR16M3	N/A	N/A
	-46	2	N/A	015-02897-104	ZR16M3	N/A	N/A
	-58	2	N/A	015-02897-105	ZR16M3	N/A	N/A
YCAL0030	-17	2	N/A	015-02894-101	ZR19M3	N/A	N/A
	-28	2	N/A	015-02894-101	ZR19M3	N/A	N/A
	-40	2	N/A	015-02894-102	ZR19M3	N/A	N/A
	-46	2	N/A	015-02894-104	ZR19M3	N/A	N/A
	-58	2	N/A	015-02894-105	ZR19M3	N/A	N/A
YCAL0034	-17	3	N/A	015-02897-101	ZR16M3	N/A	N/A
	-28	3	N/A	015-02897-101	ZR16M3	N/A	N/A
	-40	3	N/A	015-02897-102	ZR16M3	N/A	N/A
	-46	3	N/A	015-02897-104	ZR16M3	N/A	N/A
	-58	3	N/A	015-02897-105	ZR16M3	N/A	N/A
YCAL0040	-17	2	2	015-02896-101	ZR12M3	015-02896-101	ZR12M3
	-28	2	2	015-02896-101	ZR12M3	015-02896-101	ZR12M3
	-40	2	2	015-02896-102	ZR12M3	015-02896-102	ZR12M3
	-46	2	2	015-02896-104	ZR12M3	015-02896-104	ZR12M3
	-58	2	2	015-02896-105	ZR12M3	015-02896-105	ZR12M3
YCAL0042	-17	2	2	015-02897-101	ZR16M3	015-02896-101	ZR12M3
	-28	2	2	015-02897-101	ZR16M3	015-02896-101	ZR12M3
	-40	2	2	015-02897-102	ZR16M3	015-02896-102	ZR12M3
	-46	2	2	015-02897-104	ZR16M3	015-02896-104	ZR12M3
	-58	2	2	015-02897-105	ZR16M3	015-02896-105	ZR12M3
YCAL0044	-17	2	2	015-02897-101	ZR16M3	015-02897-101	ZR16M3
	-28	2	2	015-02897-101	ZR16M3	015-02897-101	ZR16M3
	-40	2	2	015-02897-102	ZR16M3	015-02897-102	ZR16M3
	-46	2	2	015-02897-104	ZR16M3	015-02897-104	ZR16M3
	-58	2	2	015-02897-105	ZR16M3	015-02897-105	ZR16M3
YCAL0050	-17	2	2	015-02894-101	ZR19M3	015-02897-101	ZR16M3
	-28	2	2	015-02894-101	ZR19M3	015-02897-101	ZR16M3
	-40	2	2	015-02894-102	ZR19M3	015-02897-102	ZR16M3
	-46	2	2	015-02894-104	ZR19M3	015-02897-104	ZR16M3
	-58	2	2	015-02894-105	ZR19M3	015-02897-105	ZR16M3

Compressor

COMPRESSOR (CONT'D)**TABLE 6 (CONT'D) – COMPRESSOR PART NUMBERS - R-22**
(SEE FIGS. 5 AND 5A, PAGE 16)**R-22**

MODEL	VOLTAGE CODE	QTY		SYSTEM #1 COMPRESSOR		SYSTEM #2 COMPRESSOR	
		SYS 1	SYS 2	PART #	MODEL #	PART #	MODEL #
YCAL0060	-17	2	2	015-02894-101	ZR19M3	015-02894-101	ZR19M3
	-28	2	2	015-02894-101	ZR19M3	015-02894-101	ZR19M3
	-40	2	2	015-02894-102	ZR19M3	015-02894-102	ZR19M3
	-46	2	2	015-02894-104	ZR19M3	015-02894-104	ZR19M3
	-58	2	2	015-02894-105	ZR19M3	015-02894-105	ZR19M3
YCAL0064	-17	3	3	015-02897-101	ZR16M3	015-02896-101	ZR12M3
	-28	3	3	015-02897-101	ZR16M3	015-02896-101	ZR12M3
	-40	3	3	015-02897-102	ZR16M3	015-02896-105	ZR12M3
	-46	3	3	015-02897-104	ZR16M3	015-02896-104	ZR12M3
	-58	3	3	015-02897-105	ZR16M3	015-02896-102	ZR12M3
YCAL0070	-17	3	3	015-02897-101	ZR16M3	015-02897-101	ZR16M3
	-28	3	3	015-02897-101	ZR16M3	015-02897-101	ZR16M3
	-40	3	3	015-02897-102	ZR16M3	015-02897-102	ZR16M3
	-46	3	3	015-02897-104	ZR16M3	015-02897-104	ZR16M3
	-58	3	3	015-02897-105	ZR16M3	015-02897-105	ZR16M3
YCAL0074	-17	3	3	015-02894-101	ZR19M3	015-02897-101	ZR16M3
	-28	3	3	015-02894-101	ZR19M3	015-02897-101	ZR16M3
	-40	3	3	015-02894-102	ZR19M3	015-02897-102	ZR16M3
	-46	3	3	015-02894-104	ZR19M3	015-02897-104	ZR16M3
	-58	3	3	015-02894-105	ZR19M3	015-02897-105	ZR16M3
YCAL0080	-17	3	3	015-02894-101	ZR19M3	015-02894-101	ZR19M3
	-28	3	3	015-02894-101	ZR19M3	015-02894-101	ZR19M3
	-40	3	3	015-02894-102	ZR19M3	015-02894-102	ZR19M3
	-46	3	3	015-02894-104	ZR19M3	015-02894-104	ZR19M3
	-58	3	3	015-02894-105	ZR19M3	015-02894-105	ZR19M3

Compressor

COMPRESSOR (CONT'D)**TABLE 6A – COMPRESSOR PART NUMBERS - R-407C**
(SEE FIGS. 5 AND 5A, PAGE 16)**R407-C**

MODEL	VOLTAGE CODE	QTY		SYSTEM #1 COMPRESSOR		SYSTEM #2 COMPRESSOR	
		SYS 1	SYS 2	PART #	MODEL #	PART #	MODEL #
YCAL0014	-17	2	N/A	015-02895-301	ZR90K3E	N/A	N/A
	-28	2	N/A	015-02895-301	ZR90K3E	N/A	N/A
	-40	2	N/A	015-02895-302	ZR90K3E	N/A	N/A
	-46	2	N/A	015-02895-304	ZR90K3E	N/A	N/A
	-58	2	N/A	015-02895-305	ZR90K3E	N/A	N/A
YCAL0020	-17	2	N/A	015-02896-301	ZR12M3E	N/A	N/A
	-28	2	N/A	015-02896-301	ZR12M3E	N/A	N/A
	-40	2	N/A	015-02896-302	ZR12M3E	N/A	N/A
	-46	2	N/A	015-02896-304	ZR12M3E	N/A	N/A
	-58	2	N/A	015-02896-305	ZR12M3E	N/A	N/A
YCAL0024	-17	2	N/A	015-02897-301	ZR16M3E	N/A	N/A
	-28	2	N/A	015-02897-301	ZR16M3E	N/A	N/A
	-40	2	N/A	015-02897-302	ZR16M3E	N/A	N/A
	-46	2	N/A	015-02897-304	ZR16M3E	N/A	N/A
	-58	2	N/A	015-02897-305	ZR16M3E	N/A	N/A
YCAL0030	-17	2	N/A	015-02894-301	ZR19M3E	N/A	N/A
	-28	2	N/A	015-02894-301	ZR19M3E	N/A	N/A
	-40	2	N/A	015-02894-302	ZR19M3E	N/A	N/A
	-46	2	N/A	015-02894-304	ZR19M3E	N/A	N/A
	-58	2	N/A	015-02894-305	ZR19M3E	N/A	N/A
YCAL0034	-17	3	N/A	015-02897-301	ZR16M3E	N/A	N/A
	-28	3	N/A	015-02897-301	ZR16M3E	N/A	N/A
	-40	3	N/A	015-02897-302	ZR16M3E	N/A	N/A
	-46	3	N/A	015-02897-304	ZR16M3E	N/A	N/A
	-58	3	N/A	015-02897-305	ZR16M3E	N/A	N/A
YCAL0040	-17	2	2	015-02896-301	ZR12M3E	015-02896-301	ZR12M3E
	-28	2	2	015-02896-301	ZR12M3E	015-02896-301	ZR12M3E
	-40	2	2	015-02896-302	ZR12M3E	015-02896-302	ZR12M3E
	-46	2	2	015-02896-304	ZR12M3E	015-02896-304	ZR12M3E
	-58	2	2	015-02896-305	ZR12M3E	015-02896-305	ZR12M3E
YCAL0042	-17	2	2	015-02897-301	ZR16M3E	015-02896-301	ZR12M3E
	-28	2	2	015-02897-301	ZR16M3E	015-02896-301	ZR12M3E
	-40	2	2	015-02897-302	ZR16M3E	015-02896-302	ZR12M3E
	-46	2	2	015-02897-304	ZR16M3E	015-02896-304	ZR12M3E
	-58	2	2	015-02897-305	ZR16M3E	015-02896-305	ZR12M3E
YCAL0044	-17	2	2	015-02897-301	ZR16M3E	015-02897-301	ZR16M3E
	-28	2	2	015-02897-301	ZR16M3E	015-02897-301	ZR16M3E
	-40	2	2	015-02897-302	ZR16M3E	015-02897-302	ZR16M3E
	-46	2	2	015-02897-304	ZR16M3E	015-02897-304	ZR16M3E
	-58	2	2	015-02897-305	ZR16M3E	015-02897-305	ZR16M3E
YCAL0050	-17	2	2	015-02894-301	ZR19M3E	015-02897-301	ZR16M3E
	-28	2	2	015-02894-301	ZR19M3E	015-02897-301	ZR16M3E
	-40	2	2	015-02894-302	ZR19M3E	015-02897-302	ZR16M3E
	-46	2	2	015-02894-304	ZR19M3E	015-02897-304	ZR16M3E
	-58	2	2	015-02894-305	ZR19M3E	015-02897-305	ZR16M3E

Compressor

COMPRESSOR (CONT'D)**TABLE 6 (CONT'D) – COMPRESSOR PART NUMBERS - R-407C**
(SEE FIGS. 5 AND 5A, PAGE 16)**R407-C**

MODEL	VOLTAGE CODE	QTY		SYSTEM #1 COMPRESSOR		SYSTEM #2 COMPRESSOR	
		SYS 1	SYS 2	PART #	MODEL #	PART #	MODEL #
YCAL0060	-17	2	2	015-02894-301	ZR19M3E	015-02894-301	ZR19M3E
	-28	2	2	015-02894-301	ZR19M3E	015-02894-301	ZR19M3E
	-40	2	2	015-02894-302	ZR19M3E	015-02894-302	ZR19M3E
	-46	2	2	015-02894-304	ZR19M3E	015-02894-304	ZR19M3E
	-58	2	2	015-02894-305	ZR19M3E	015-02894-305	ZR19M3E
YCAL0064	-17	3	3	015-02897-301	ZR16M3E	015-02896-301	ZR12M3E
	-28	3	3	015-02897-301	ZR16M3E	015-02896-301	ZR12M3E
	-40	3	3	015-02897-302	ZR16M3E	015-02896-305	ZR12M3E
	-46	3	3	015-02897-304	ZR16M3E	015-02896-304	ZR12M3E
	-58	3	3	015-02897-305	ZR16M3E	015-02896-302	ZR12M3E
YCAL0070	-17	3	3	015-02897-301	ZR16M3E	015-02897-301	ZR16M3E
	-28	3	3	015-02897-301	ZR16M3E	015-02897-301	ZR16M3E
	-40	3	3	015-02897-302	ZR16M3E	015-02897-302	ZR16M3E
	-46	3	3	015-02897-304	ZR16M3E	015-02897-304	ZR16M3E
	-58	3	3	015-02897-305	ZR16M3E	015-02897-305	ZR16M3E
YCAL0074	-17	3	3	015-02894-301	ZR19M3E	015-02897-301	ZR16M3E
	-28	3	3	015-02894-301	ZR19M3E	015-02897-301	ZR16M3E
	-40	3	3	015-02894-302	ZR19M3E	015-02897-302	ZR16M3E
	-46	3	3	015-02894-304	ZR19M3E	015-02897-304	ZR16M3E
	-58	3	3	015-02894-305	ZR19M3E	015-02897-305	ZR16M3E
YCAL0080	-17	3	3	015-02894-301	ZR19M3E	015-02894-301	ZR19M3E
	-28	3	3	015-02894-301	ZR19M3E	015-02894-301	ZR19M3E
	-40	3	3	015-02894-302	ZR19M3E	015-02894-302	ZR19M3E
	-46	3	3	015-02894-304	ZR19M3E	015-02894-304	ZR19M3E
	-58	3	3	015-02894-305	ZR19M3E	015-02894-305	ZR19M3E

Compressor

COMPRESSOR (CONT'D)

TABLE 6B – HEATER PART NUMBERS

MODEL	COMPRESSOR	HEATER PART NUMBERS
YCAL0014 THRU YCAL0080	ZR90K3	025-37888-000
	ZR12M3	
	ZR16M3	
	ZR19M3	

TABLE 6C – RECOMMENDED OIL TYPE

ITEM	REF.	DESCRIPTION	1 GALLON	5 GALLON
Oil ^s	R-22	OIL, TYPE 'F' (MINERAL)	—	011-00434-000
	R-407C	OIL, TYPE 'T' (POE)	011-00936-000	011-00937-000

^s Recommended Spare Part

CONTROL PANEL AND POWER PANEL CONFIGURATIONS

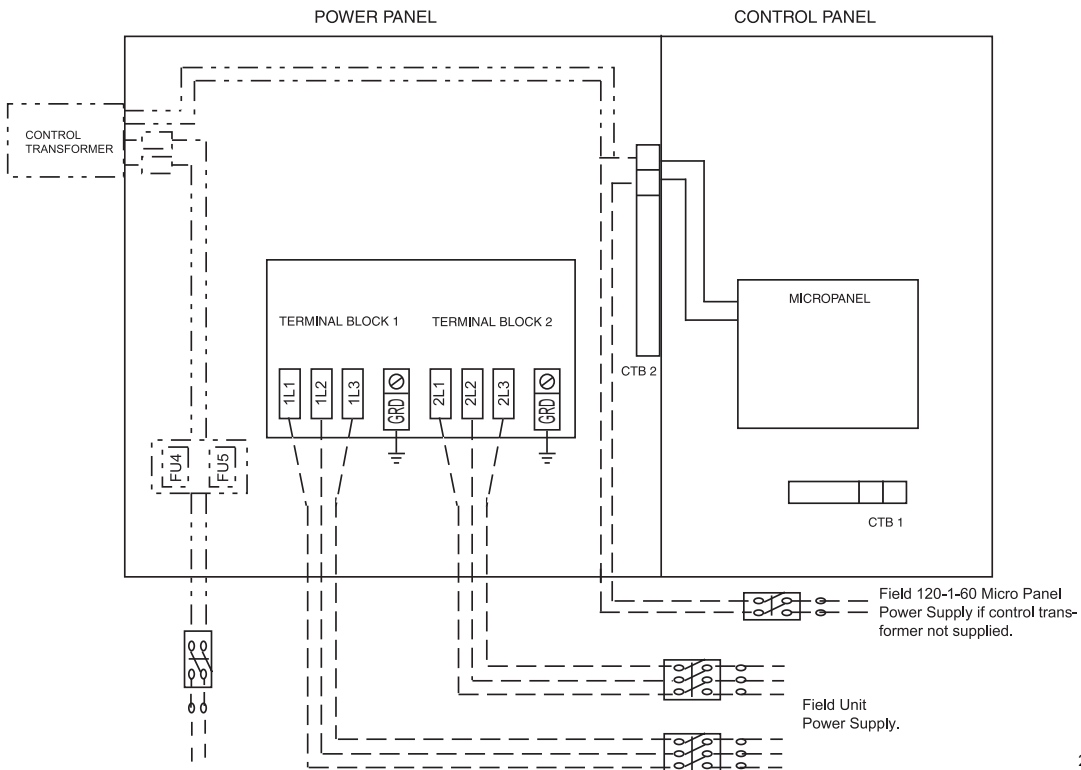
Power panels and control panels are offered in several configurations using three (3) major components:

1. TERMINAL BLOCKS -
2. CIRCUIT BREAKER SWITCH -
3. NF (Non Fused) DISCONNECT SWITCH -

The most basic chiller power wiring configuration uses terminal blocks in the power panel, and an option panel with no power wire termination hardware. See figures below. The model number pin number locations 16 and 17 would be X and X to reflect this basic combination. Identify pin number locations 16 and 17 to identify the chiller power wiring connections and hardware listed below.

PIN 16 & 17 LETTER CODE IDENTIFIERS	POWER PANEL AND CONTROL PANEL CONFIGURATION
X X	Terminal Blocks for each system in power panel
M D	NF disconnect switch for each system in power panel
M B	Circuit Breaker switch for each system in power panel
S D	Single Point Non-Fused Disconnect Switch Supply
S X	Single Point Terminal Block Supply
B X	Single Point Circuit Breaker Supply
S B	Circuit Breaker switch for each system in power panel; Single Point Terminal Block in power panel
D B	Circuit Breaker switch for each system in power panel; Single Point NF Disconnect Switch in power panel

Examples of power wiring configurations:



202349-1ccc1

FIG. 6 – EXAMPLES OF POWER WIRING CONFIGURATIONS

CONTROL PANEL AND POWER PANEL CONFIGURATIONS (CONT'D)

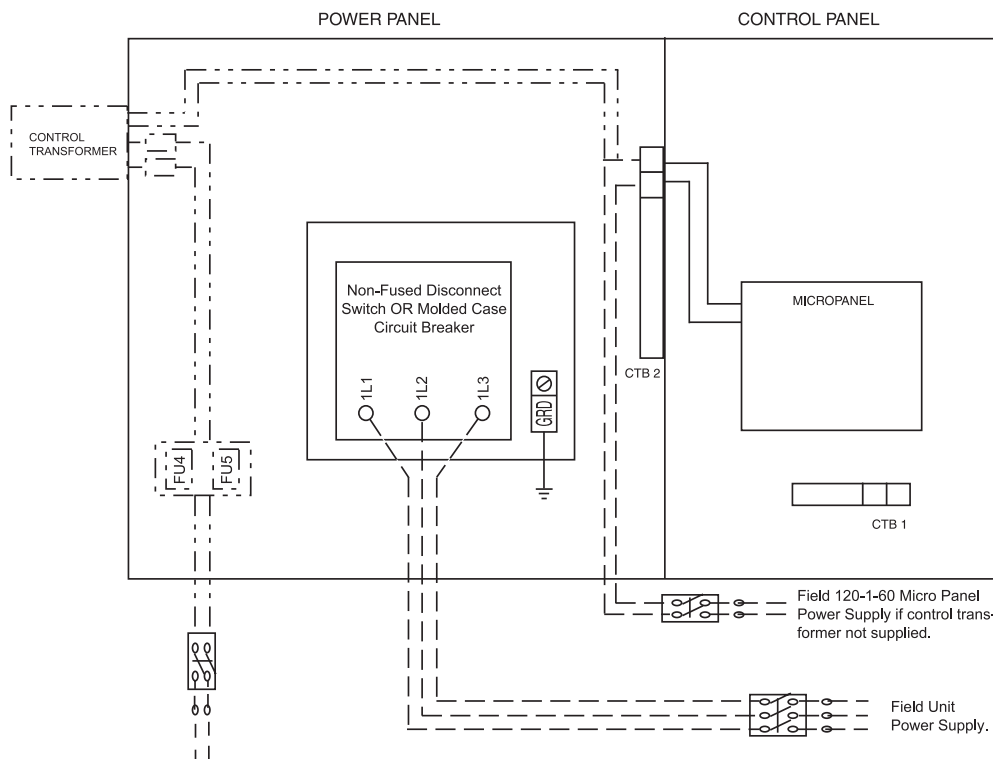
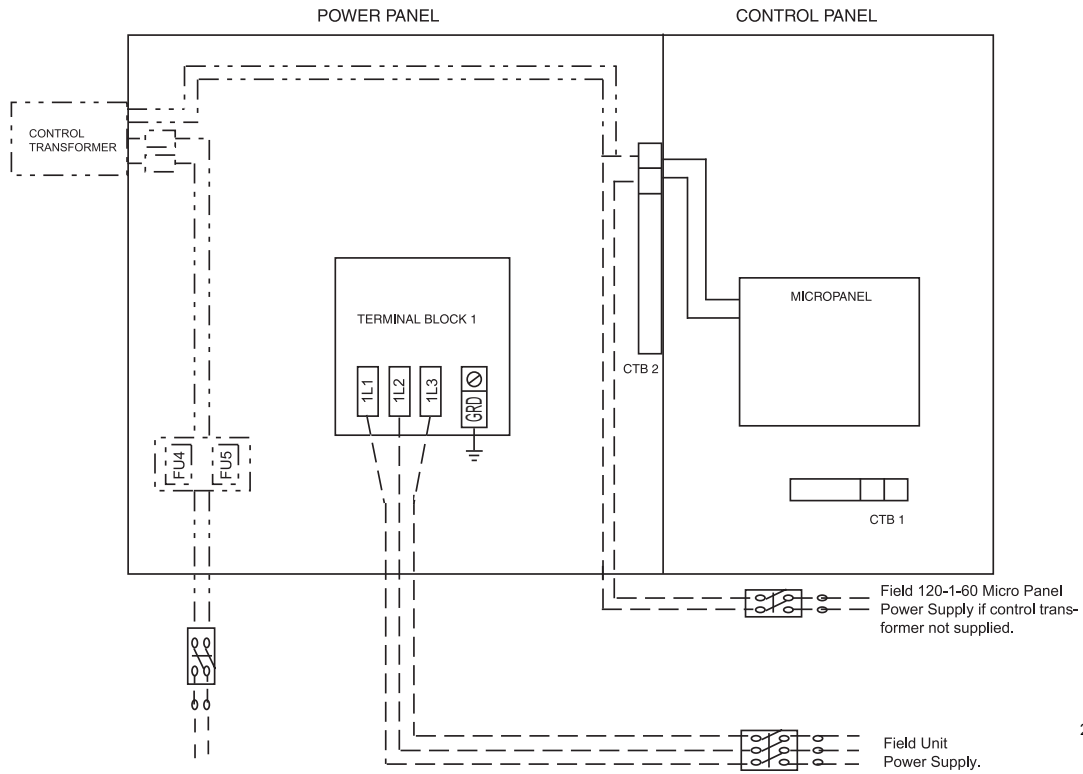


FIG. 6 (CONT'D) – EXAMPLES OF POWER WIRING CONFIGURATIONS

CONTROL PANEL AND POWER PANEL

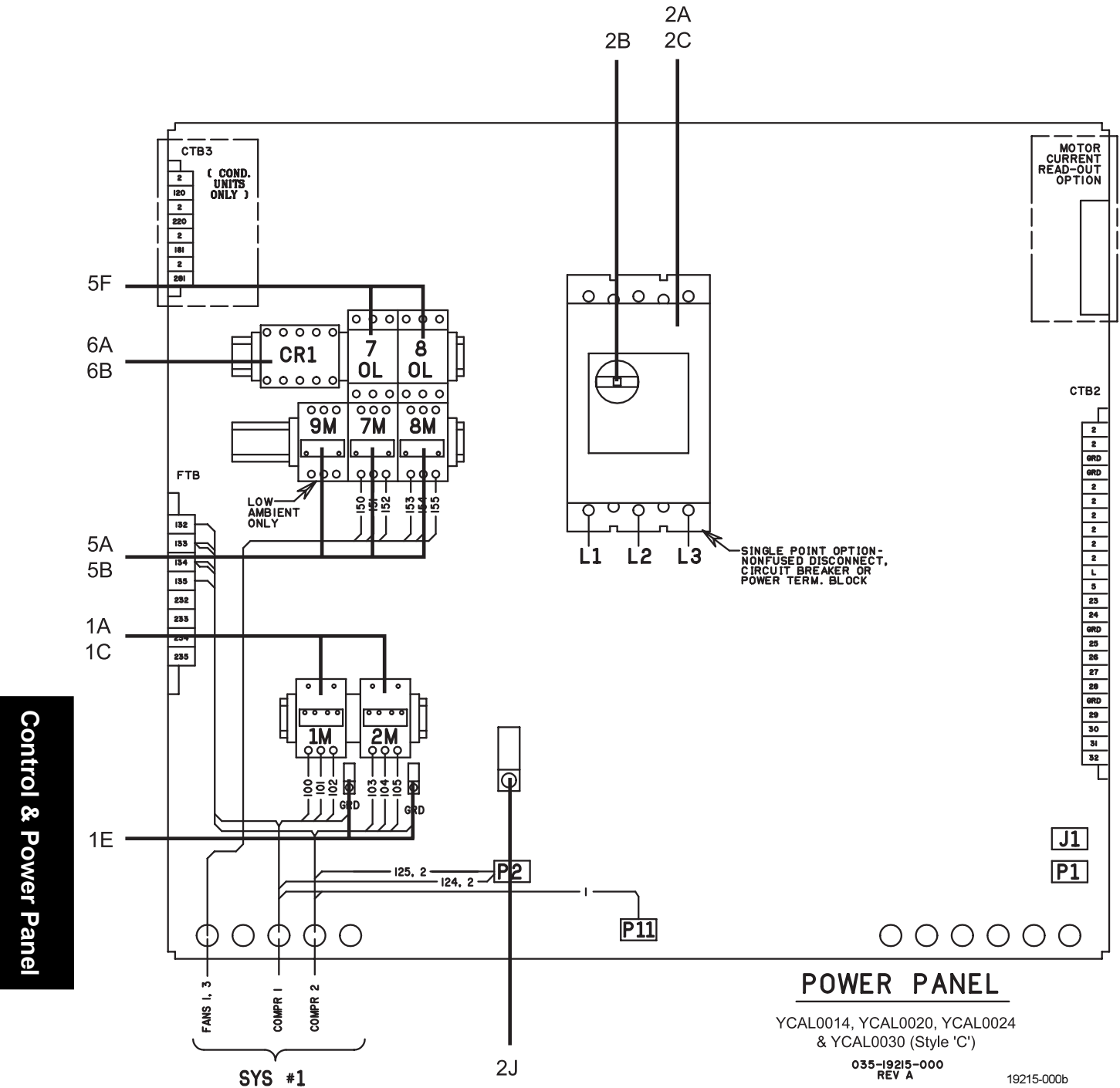
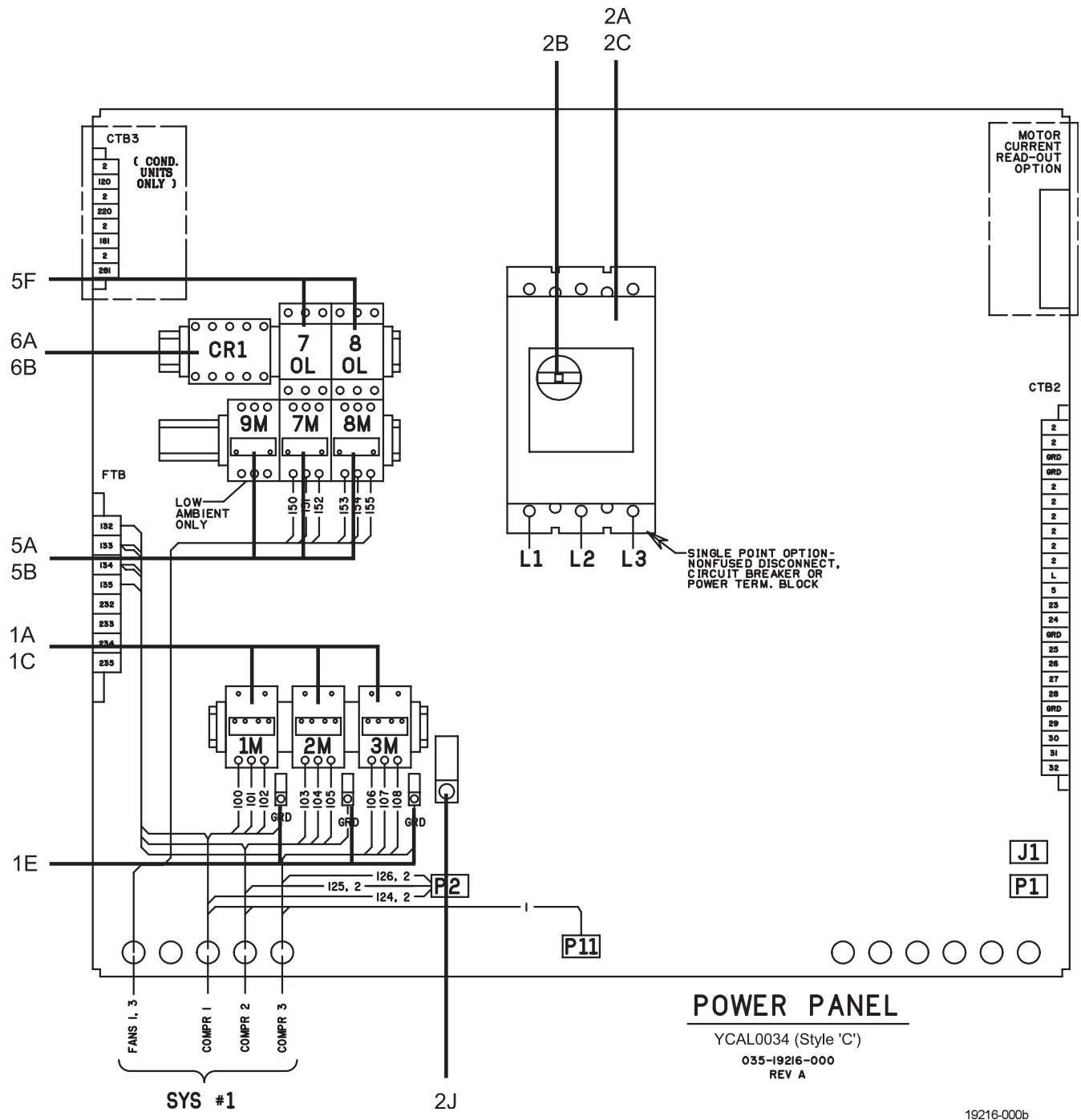


FIG. 7 – POWER PANEL COMPONENTS - YCAL0014-YCAL0030 (REF. TABLE 7, PAGES 29-74)

CONTROL PANEL AND POWER PANEL (CONT'D)

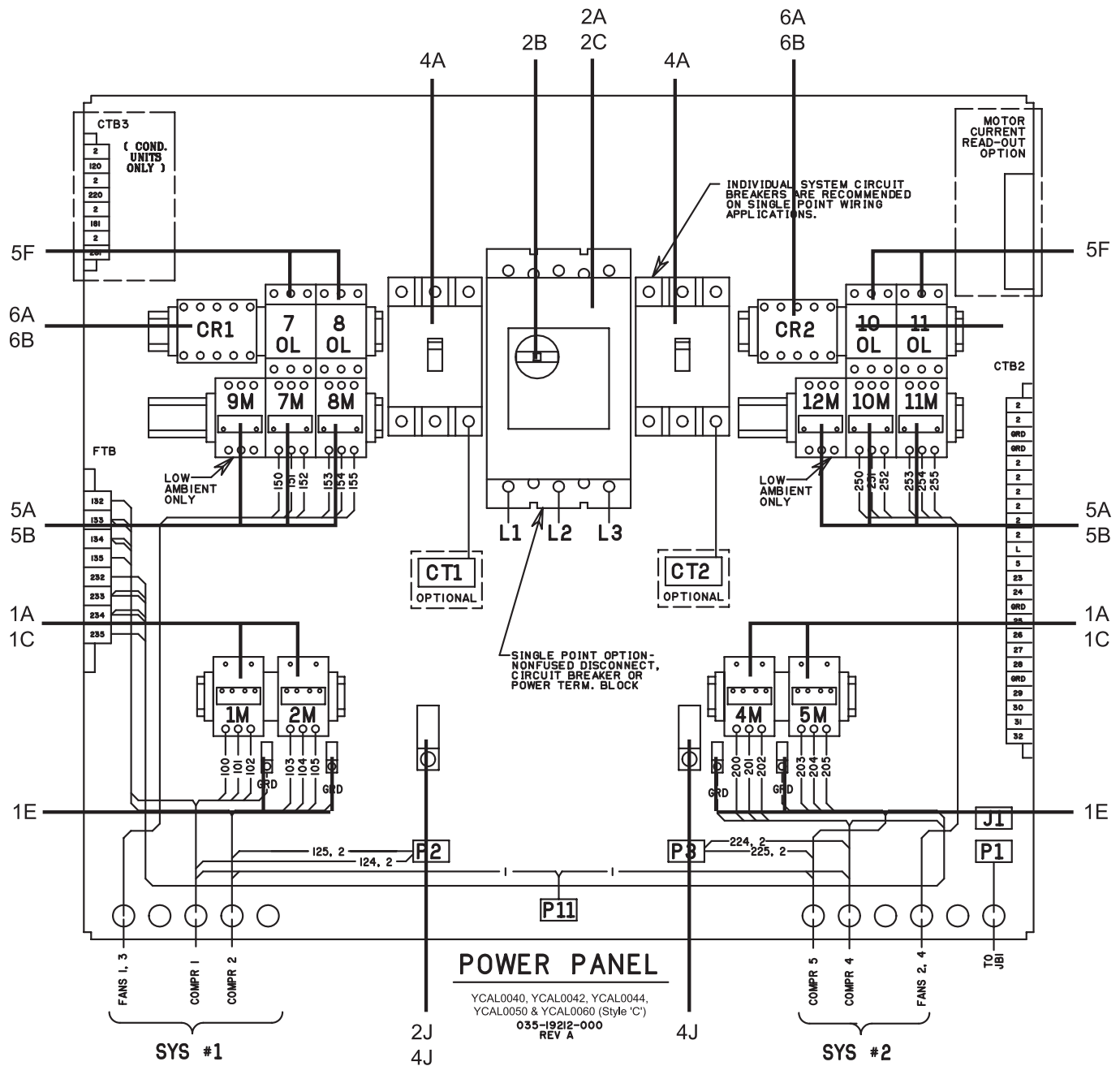


Control & Power Panel

FIG. 8 – POWER PANEL COMPONENTS - YCAL0034 (REF. TABLE 7, PAGES 29-74)

LD05167

CONTROL PANEL AND POWER PANEL (CONT'D)



19212-000b

FIG. 9 – POWER PANEL COMPONENTS - YCAL0040-YCAL0060 (REF. TABLE 7, PAGES 29-74)

CONTROL PANEL AND POWER PANEL (CONT'D)

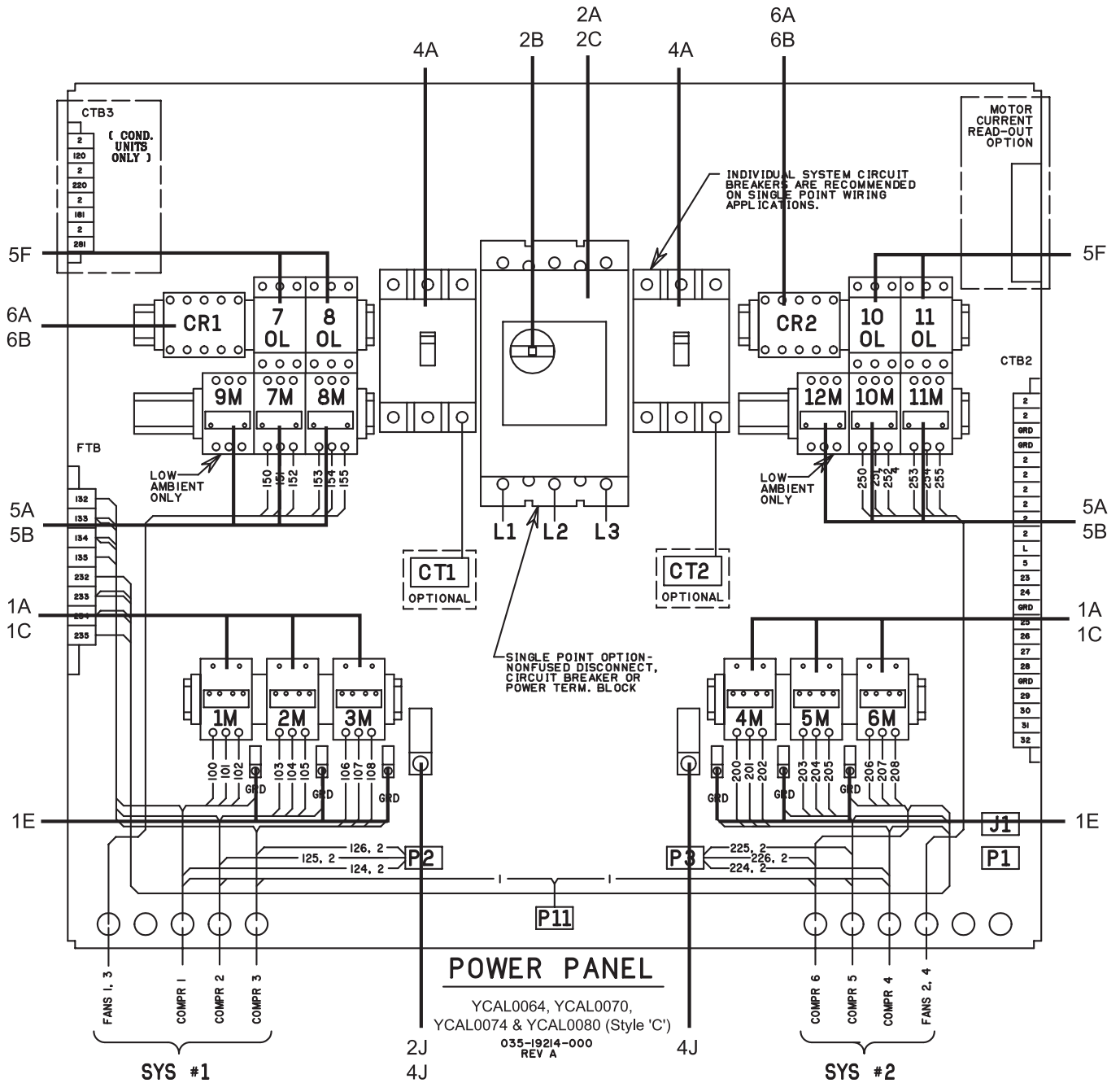


FIG. 10 – POWER PANEL COMPONENTS - YCAL0064-YCAL0080 (REF. TABLE 7, PAGES 29-74)

CONTROL PANEL AND POWER PANEL (CONT'D)

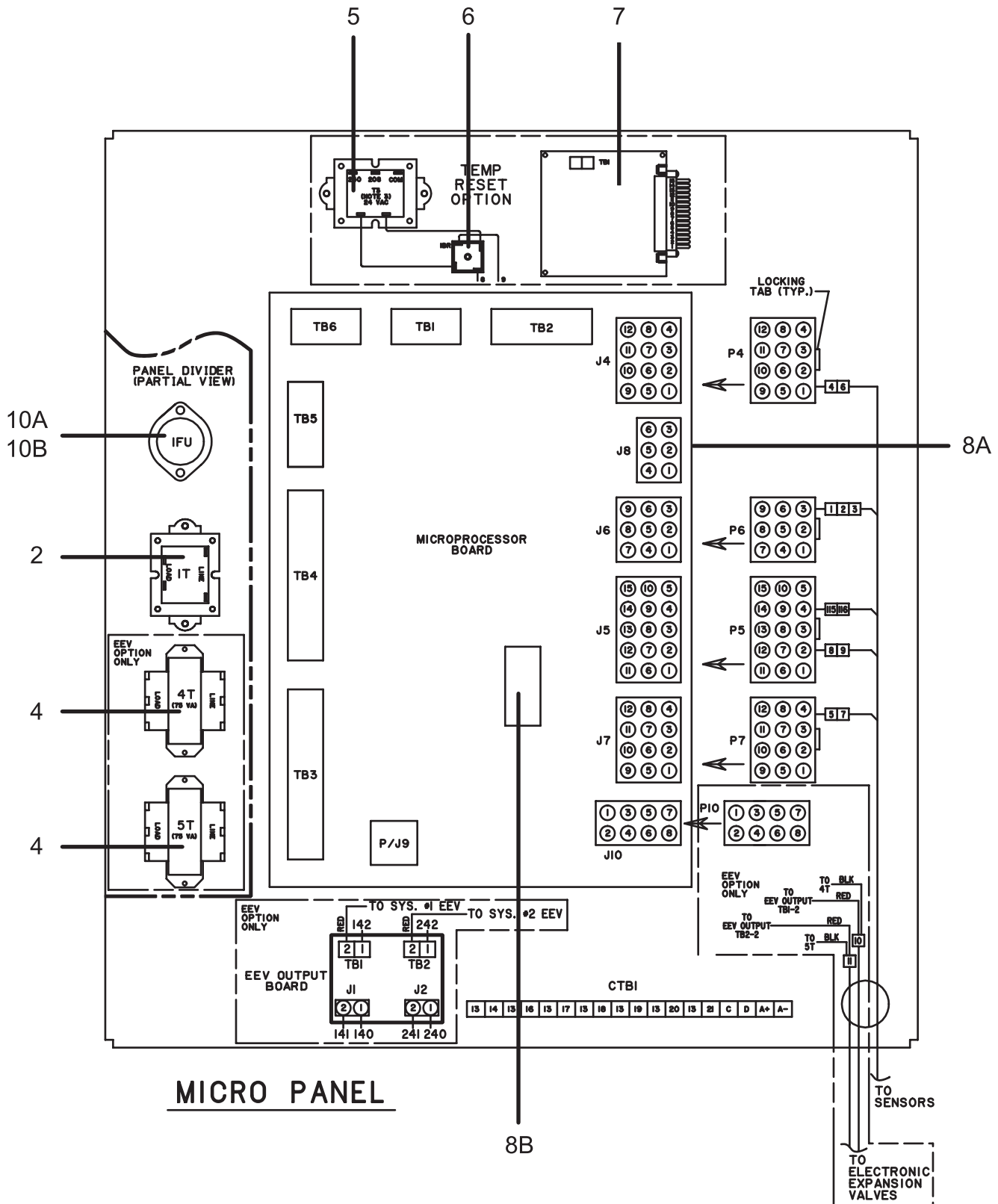


FIG. 11 – CONTROL PANEL COMPONENTS (REF. TABLE 7, PAGES 29-74)

CONTROL PANEL AND POWER PANEL (CONT'D)

TABLE 7 (CONT'D) – CONTROL PANEL AND POWER PANEL COMPONENTS - YCAL0014-17, YCAL0014-28 & YCAL0014-40
(SEE FIGS. 6-11, PAGES 22-28)

Item	Qty	Description	YCAL0014-17 & YCAL0014-28			YCAL0014-40		
			Single Point Terminal Block	Single Point Non-Fused Disc. Sw.	Single Point Circuit Breaker	Single Point Terminal Block	Single Point Non-Fused Disc. Sw.	Single Point Circuit Breaker
1A	2	Compressor Contactor (System 1)	024-31818-000	024-31818-000	024-31818-000	024-31818-000	024-31818-000	024-31818-000
1C	2	Surge Suppressor	031-02202-000	031-02202-000	031-02202-000	031-02202-000	031-02202-000	031-02202-000
1E	2	Ground Lug	025-34455-000	025-34455-000	025-34455-000	025-34455-000	025-34455-000	025-34455-000
2	1	Transformer (115/24V)	025-30889-000	025-30889-000	025-30889-000	025-30889-000	025-30889-000	025-30889-000
	3	Single Point TB	025-38358-000	N/A	N/A	025-38358-000	N/A	N/A
2A	1	Single Point CB	N/A	N/A	024-31842-000	N/A	N/A	024-31838-000
	1	Single Point NFDS	N/A	N/A	N/A	N/A	024-31888-000	N/A
2B	1	SP Handle & Oper Mech (NFDS&CB)	N/A	024-31878-000	024-31878-000	N/A	024-31878-000	024-31878-000
2C	1	Single Point Lug Kit	N/A	025-34479-000	025-34478-000	N/A	025-34479-000	025-34477-000
2J	1	Ground Lug	025-34455-000	025-34089-000	025-34088-000	025-34455-000	025-34088-000	025-34455-000
4	2	Transformer (4T & 5T)	025-27911-000	025-27911-000	025-27911-000	025-27911-000	025-27911-000	025-27911-000
5	1	Transformer (3T)	025-18452-000	025-18452-000	025-18452-000	025-18452-000	025-18452-000	025-18452-000
5A	4	Surge Suppressor	031-02100-000	031-02100-000	031-02100-000	031-02100-000	031-02100-000	031-02100-000
5B^s	4	Fan Contactor	024-34300-000	024-34300-000	024-34300-000	024-34302-000	024-34302-000	024-34302-000
5F^s	4	Fan Overload	024-33170-000	024-33170-000	024-33170-000	024-33169-000	024-33169-000	024-33169-000
6	1	Bridge Rectifier	031-02201-000	031-02201-000	031-02201-000	031-02201-000	031-02201-000	031-02201-000
6A	2	Relay	024-31635-000	024-31635-000	024-31635-000	024-31635-000	024-31635-000	024-31635-000
6B	2	Surge Suppressor	024-33177-000	024-33177-000	024-33177-000	024-33177-000	024-33177-000	024-33177-000
7	1	Remote Current Reset	031-00808-000	031-00808-000	031-00808-000	031-00808-000	031-00808-000	031-00808-000
8A^s	1	Micro Board	031-00814-000	031-00814-000	031-00814-000	031-00814-000	031-00814-000	031-00814-000
8B^s	1	EPROM	031-02050-001	031-02050-001	031-02050-001	031-02050-001	031-02050-001	031-02050-001
10A	1	Fuse Holder	031-02049-001	031-02049-001	031-02049-001	031-02049-001	031-02049-001	031-02049-001
10B	1	Fuse	025-34484-000	025-34484-000	025-34484-000	025-34484-000	025-34484-000	025-34484-000
	1	Fuse	025-38360-000	025-38360-000	025-38360-000	025-38360-000	025-38360-000	025-38360-000

^s Recommended Spare Part

CONTROL PANEL AND POWER PANEL (CONT'D)

TABLE 7 (CONT'D) – CONTROL PANEL AND POWER PANEL COMPONENTS - YCAL0014-46 & YCAL0014-58
(SEE FIGS. 6-11, PAGES 22-28)

Item	Qty	Description	YCAL0014-46			YCAL0014-58		
			Single Point Terminal Block	Single Point Non-Fused Disc. Sw.	Single Point Circuit Breaker	Single Point Terminal Block	Single Point Non-Fused Disc. Sw.	Single Point Circuit Breaker
1A	2	Compressor Contactor (System 1)	024-31818-000	024-31818-000	024-31818-000	024-31817-000	024-31817-000	024-31817-000
1C	2	Surge Suppressor	031-02202-000	031-02202-000	031-02202-000	031-02202-000	031-02202-000	031-02202-000
1E	2	Ground Lug	025-34455-000	025-34455-000	025-34455-000	025-34455-000	025-34455-000	025-34455-000
2	1	Transformer (115/24V)	025-30889-000	025-30889-000	025-30889-000	025-30889-000	025-30889-000	025-30889-000
	3	Single Point TB	025-38358-000	N/A	N/A	025-38358-000	N/A	N/A
2A	1	Single Point CB	N/A	N/A	024-31837-000	N/A	N/A	024-31852-000
	1	Single Point NFDS	N/A	024-31888-000	N/A	N/A	024-31888-000	N/A
2B	1	SP Handle & Oper Mech (NFDS&CB)	N/A	024-31878-000	024-31878-000	N/A	024-31878-000	024-31878-000
2C	1	Single Point Lug Kit	N/A	025-34479-000	025-34477-000	N/A	025-34479-000	025-34477-000
2J	1	Ground Lug	025-34455-000	025-34089-000	025-34455-000	025-34455-000	025-34089-000	025-34455-000
4	2	Transformer (4T & 5T)	025-27911-000	025-27911-000	025-27911-000	025-27911-000	025-27911-000	025-27911-000
5	1	Transformer (3T)	025-18452-000	025-18452-000	025-18452-000	025-18452-000	025-18452-000	025-18452-000
5A	4	Surge Suppressor	031-02100-000	031-02100-000	031-02100-000	031-02100-000	031-02100-000	031-02100-000
5B^s	4	Fan Contactor	024-34302-000	024-34302-000	024-34302-000	024-34302-000	024-34302-000	024-34302-000
5F^s	4	Fan Overload	024-33169-000	024-33169-000	024-33169-000	024-33168-000	024-33168-000	024-33168-000
6	1	Bridge Rectifier	031-02201-000	031-02201-000	031-02201-000	031-02201-000	031-02201-000	031-02201-000
	2	Relay	024-31635-000	024-31635-000	024-31635-000	024-31635-000	024-31635-000	024-31635-000
6A	2	Relay	024-33177-000	024-33177-000	024-33177-000	024-33177-000	024-33177-000	024-33177-000
6B	2	Surge Suppressor	031-00808-000	031-00808-000	031-00808-000	031-00808-000	031-00808-000	031-00808-000
7	1	Remote Current Reset	031-00814-000	031-00814-000	031-00814-000	031-00814-000	031-00814-000	031-00814-000
8A^s	1	Micro Board	031-02050-001	031-02050-001	031-02050-001	031-02050-001	031-02050-001	031-02050-001
8B^s	1	EPROM	031-02049-001	031-02049-001	031-02049-001	031-02049-001	031-02049-001	031-02049-001
10A	1	Fuse Holder	025-34484-000	025-34484-000	025-34484-000	025-34484-000	025-34484-000	025-34484-000
10B	1	Fuse	025-38360-000	025-38360-000	025-38360-000	025-38360-000	025-38360-000	025-38360-000

^s Recommended Spare Part

CONTROL PANEL AND POWER PANEL (CONT'D)

TABLE 7 (CONT'D) – CONTROL PANEL AND POWER PANEL COMPONENTS - YCAL0020-17, YCAL0020-28 & YCAL0020-40
(SEE FIGS. 6-11, PAGES 22-28)

Item	Qty	Description	YCAL0020-17 & YCAL0020-28			YCAL0020-40		
			Single Point Terminal Block	Single Point Non-Fused Disc. Sw.	Single Point Circuit Breaker	Single Point Terminal Block	Single Point Non-Fused Disc. Sw.	Single Point Circuit Breaker
1A	2	Compressor Contactor (System 1)	024-31106-000	024-31106-000	024-31106-000	024-31818-000	024-31818-000	024-31818-000
1C	2	Surge Suppressor	031-02203-000	031-02203-000	031-02203-000	031-02202-000	031-02202-000	031-02202-000
1E	2	Ground Lug	025-34455-000	025-34455-000	025-34455-000	025-34455-000	025-34455-000	025-34455-000
2	1	Transformer (115/24V)	025-30889-000	025-30889-000	025-30889-000	025-30889-000	025-30889-000	025-30889-000
	3	Single Point TB	025-38358-000	N/A	N/A	025-38358-000	N/A	N/A
2A	1	Single Point CB	N/A	N/A	024-31843-000	N/A	N/A	024-31839-000
	1	Single Point NFDS	N/A	N/A	N/A	N/A	024-31888-000	N/A
2B	1	SP Handle & Oper Mech (NFDS&CB)	N/A	024-31878-000	024-31878-000	N/A	024-31878-000	024-31878-000
2C	1	Single Point Lug Kit	N/A	025-34479-000	025-34478-000	N/A	025-34479-000	025-34477-000
2J	1	Ground Lug	025-34455-000	025-34089-000	025-34088-000	025-34455-000	025-34089-000	025-34455-000
4	2	Transformer (4T & 5T)	025-27911-000	025-27911-000	025-27911-000	025-27911-000	025-27911-000	025-27911-000
5	1	Transformer (3T)	025-18452-000	025-18452-000	025-18452-000	025-18452-000	025-18452-000	025-18452-000
5A	4	Surge Suppressor	031-02100-000	031-02100-000	031-02100-000	031-02100-000	031-02100-000	031-02100-000
5B ^s	4	Fan Contactor	024-34300-000	024-34300-000	024-34300-000	024-34302-000	024-34302-000	024-34302-000
5F ^s	4	Fan Overload	024-33170-000	024-33170-000	024-33170-000	024-33169-000	024-33169-000	024-33169-000
6	1	Bridge Rectifier	031-02201-000	031-02201-000	031-02201-000	031-02201-000	031-02201-000	031-02201-000
	2	Relay	024-31635-000	024-31635-000	024-31635-000	024-31635-000	024-31635-000	024-31635-000
6A	2	Surge Suppressor	024-33177-000	024-33177-000	024-33177-000	024-33177-000	024-33177-000	024-33177-000
6B	2	Surge Suppressor	031-00808-000	031-00808-000	031-00808-000	031-00808-000	031-00808-000	031-00808-000
7	1	Remote Current Reset	031-00814-000	031-00814-000	031-00814-000	031-00814-000	031-00814-000	031-00814-000
8A ^s	1	Micro Board	031-02050-001	031-02050-001	031-02050-001	031-02050-001	031-02050-001	031-02050-001
8B ^s	1	EPROM	031-02049-001	031-02049-001	031-02049-001	031-02049-001	031-02049-001	031-02049-001
10A	1	Fuse Holder	025-34484-000	025-34484-000	025-34484-000	025-34484-000	025-34484-000	025-34484-000
10B	1	Fuse	025-38360-000	025-38360-000	025-38360-000	025-38360-000	025-38360-000	025-38360-000

^s Recommended Spare Part

CONTROL PANEL AND POWER PANEL (CONT'D)

TABLE 7 (CONT'D) – CONTROL PANEL AND POWER PANEL COMPONENTS - YCAL0020-46 & YCAL0020-58
(SEE FIGS. 6-11, PAGES 22-28)

Item	Qty	Description	YCAL0020-46			YCAL0020-58		
			Single Point Terminal Block	Single Point Non-Fused Disc. Sw.	Single Point Circuit Breaker	Single Point Terminal Block	Single Point Non-Fused Disc. Sw.	Single Point Circuit Breaker
1A	2	Compressor Contactor (System 1)	024-31818-000	024-31818-000	024-31818-000	024-31817-000	024-31817-000	024-31817-000
1C	2	Surge Suppressor	031-02202-000	031-02202-000	031-02202-000	031-02202-000	031-02202-000	031-02202-000
1E	2	Ground Lug	025-34455-000	025-34455-000	025-34455-000	025-34455-000	025-34455-000	025-34455-000
2	1	Transformer (115/24V)	025-30889-000	025-30889-000	025-30889-000	025-30889-000	025-30889-000	025-30889-000
	3	Single Point TB	025-38358-000	N/A	N/A	025-38358-000	N/A	N/A
2A	1	Single Point CB	N/A	N/A	024-31839-000	N/A	N/A	024-31837-000
	1	Single Point NFDS	N/A	024-31888-000	N/A	N/A	024-31888-000	N/A
2B	1	SP Handle & Oper Mech (NFDS&CB)	N/A	024-31878-000	024-31878-000	N/A	024-31878-000	024-31878-000
2C	1	Single Point Lug Kit	N/A	025-34479-000	025-34477-000	N/A	025-34479-000	025-34477-000
2J	1	Ground Lug	025-34455-000	025-34089-000	025-34455-000	025-34455-000	025-34089-000	025-34455-000
4	2	Transformer (4T & 5T)	025-27911-000	025-27911-000	025-27911-000	025-27911-000	025-27911-000	025-27911-000
5	1	Transformer (3T)	025-18452-000	025-18452-000	025-18452-000	025-18452-000	025-18452-000	025-18452-000
5A	4	Surge Suppressor	031-02100-000	031-02100-000	031-02100-000	031-02100-000	031-02100-000	031-02100-000
5B ^s	4	Fan Contactor	024-34302-000	024-34302-000	024-34302-000	024-34302-000	024-34302-000	024-34302-000
5F ^s	4	Fan Overload	024-33169-000	024-33169-000	024-33169-000	024-33168-000	024-33168-000	024-33168-000
6	1	Bridge Rectifier	031-02201-000	031-02201-000	031-02201-000	031-02201-000	031-02201-000	031-02201-000
6A	2	Relay	024-31635-000	024-31635-000	024-31635-000	024-31635-000	024-31635-000	024-31635-000
	2	Relay	024-33177-000	024-33177-000	024-33177-000	024-33177-000	024-33177-000	024-33177-000
6B	2	Surge Suppressor	031-00808-000	031-00808-000	031-00808-000	031-00808-000	031-00808-000	031-00808-000
7	1	Remote Current Reset	031-00814-000	031-00814-000	031-00814-000	031-00814-000	031-00814-000	031-00814-000
8A ^s	1	Micro Board	031-02050-001	031-02050-001	031-02050-001	031-02050-001	031-02050-001	031-02050-001
8B ^s	1	EPROM	031-02049-001	031-02049-001	031-02049-001	031-02049-001	031-02049-001	031-02049-001
10A	1	Fuse Holder	025-34484-000	025-34484-000	025-34484-000	025-34484-000	025-34484-000	025-34484-000
10B	1	Fuse	025-38360-000	025-38360-000	025-38360-000	025-38360-000	025-38360-000	025-38360-000

^s Recommended Spare Part

CONTROL PANEL AND POWER PANEL (CONT'D)

TABLE 7 (CONT'D) – CONTROL PANEL AND POWER PANEL COMPONENTS - YCAL0024-17, YCAL0024-28 & YCAL0024-40
(SEE FIGS. 6-11, PAGES 22-28)

Item	Qty	Description	YCAL0024-17 & YCAL0024-28			YCAL0024-40		
			Single Point Terminal Block	Single Point Non-Fused Disc. Sw.	Single Point Circuit Breaker	Single Point Terminal Block	Single Point Non-Fused Disc. Sw.	Single Point Circuit Breaker
1A	2	Compressor Contactor (System 1)	024-31107-000	024-31107-000	024-31107-000	024-31818-000	024-31818-000	024-31818-000
1C	2	Surge Suppressor	031-02203-000	031-02203-000	031-02203-000	031-02202-000	031-02202-000	031-02202-000
1E	2	Ground Lug	025-34455-000	025-34455-000	025-34455-000	025-34455-000	025-34455-000	025-34455-000
2	1	Transformer (115/24V)	025-30889-000	025-30889-000	025-30889-000	025-30889-000	025-30889-000	025-30889-000
	3	Single Point TB	025-38358-000	N/A	N/A	025-38358-000	N/A	N/A
2A	1	Single Point CB	N/A	N/A	024-31844-000	N/A	N/A	024-31841-000
	1	Single Point NFDS	N/A	N/A	N/A	N/A	024-31888-000	N/A
2B	1	SP Handle & Oper Mech (NFDS&CB)	N/A	024-31878-000	024-31878-000	N/A	024-31878-000	024-31878-000
2C	1	Single Point Lug Kit	N/A	025-34479-000	025-34479-000	N/A	025-34479-000	025-34478-000
2J	1	Ground Lug	025-34455-000	025-34089-000	025-34088-000	025-34455-000	025-34089-000	025-34088-000
4	2	Transformer (4T & 5T)	025-27911-000	025-27911-000	025-27911-000	025-27911-000	025-27911-000	025-27911-000
5	1	Transformer (3T)	025-18452-000	025-18452-000	025-18452-000	025-18452-000	025-18452-000	025-18452-000
5A	4	Surge Suppressor	031-02100-000	031-02100-000	031-02100-000	031-02100-000	031-02100-000	031-02100-000
5B^s	4	Fan Contactor	024-34300-000	024-34300-000	024-34300-000	024-34302-000	024-34302-000	024-34302-000
5F^s	4	Fan Overload	024-33170-000	024-33170-000	024-33170-000	024-33169-000	024-33169-000	024-33169-000
6	1	Bridge Rectifier	031-02201-000	031-02201-000	031-02201-000	031-02201-000	031-02201-000	031-02201-000
6A	2	Relay	024-31635-000	024-31635-000	024-31635-000	024-31635-000	024-31635-000	024-31635-000
	2		024-33177-000	024-33177-000	024-33177-000	024-33177-000	024-33177-000	024-33177-000
6B	2	Surge Suppressor	031-00808-000	031-00808-000	031-00808-000	031-00808-000	031-00808-000	031-00808-000
7	1	Remote Current Reset	031-00814-000	031-00814-000	031-00814-000	031-00814-000	031-00814-000	031-00814-000
8A^s	1	Micro Board	031-02050-001	031-02050-001	031-02050-001	031-02050-001	031-02050-001	031-02050-001
8B^s	1	EPROM	031-02049-001	031-02049-001	031-02049-001	031-02049-001	031-02049-001	031-02049-001
10A	1	Fuse Holder	025-34484-000	025-34484-000	025-34484-000	025-34484-000	025-34484-000	025-34484-000
10B	1	Fuse	025-38360-000	025-38360-000	025-38360-000	025-38360-000	025-38360-000	025-38360-000

^s Recommended Spare Part

CONTROL PANEL AND POWER PANEL (CONT'D)

TABLE 7 (CONT'D) – CONTROL PANEL AND POWER PANEL COMPONENTS - YCAL0024-46 & YCAL0024-58
(SEE FIGS. 6-11, PAGES 22-28)

Item	Qty	Description	YCAL0024-46			YCAL0024-58		
			Single Point Terminal Block	Single Point Non-Fused Disc. Sw.	Single Point Circuit Breaker	Single Point Terminal Block	Single Point Non-Fused Disc. Sw.	Single Point Circuit Breaker
1A	2	Compressor Contactor (System 1)	024-31818-000	024-31818-000	024-31818-000	024-31817-000	024-31817-000	024-31817-000
1C	2	Surge Suppressor	031-02202-000	031-02202-000	031-02202-000	031-02202-000	031-02202-000	031-02202-000
1E	2	Ground Lug	025-34455-000	025-34455-000	025-34455-000	025-34455-000	025-34455-000	025-34455-000
2	1	Transformer (115/24V)	025-30889-000	025-30889-000	025-30889-000	025-30889-000	025-30889-000	025-30889-000
	3	Single Point TB	025-38358-000	N/A	N/A	025-38358-000	N/A	N/A
2A	1	Single Point CB	N/A	N/A	024-31839-000	N/A	N/A	024-31839-000
	1	Single Point NFDS	N/A	024-31888-000	N/A	N/A	024-31888-000	N/A
2B	1	SP Handle & Oper Mech (NFDS&CB)	N/A	024-31878-000	024-31878-000	N/A	024-31878-000	024-31878-000
2C	1	Single Point Lug Kit	N/A	025-34479-000	025-34477-000	N/A	025-34479-000	025-34477-000
2J	1	Ground Lug	025-34455-000	025-34089-000	025-34455-000	025-34455-000	025-34089-000	025-34455-000
4	2	Transformer (4T & 5T)	025-27911-000	025-27911-000	025-27911-000	025-27911-000	025-27911-000	025-27911-000
5	1	Transformer (3T)	025-18452-000	025-18452-000	025-18452-000	025-18452-000	025-18452-000	025-18452-000
5A	4	Surge Suppressor	031-02100-000	031-02100-000	031-02100-000	031-02100-000	031-02100-000	031-02100-000
5B ^s	4	Fan Contactor	024-34302-000	024-34302-000	024-34302-000	024-34302-000	024-34302-000	024-34302-000
5F ^s	4	Fan Overload	024-33169-000	024-33169-000	024-33169-000	024-33168-000	024-33168-000	024-33168-000
6	1	Bridge Rectifier	031-02201-000	031-02201-000	031-02201-000	031-02201-000	031-02201-000	031-02201-000
6A	2	Relay	024-31635-000	024-31635-000	024-31635-000	024-31635-000	024-31635-000	024-31635-000
	2		024-33177-000	024-33177-000	024-33177-000	024-33177-000	024-33177-000	024-33177-000
6B	2	Surge Suppressor	031-00808-000	031-00808-000	031-00808-000	031-00808-000	031-00808-000	031-00808-000
7	1	Remote Current Reset	031-00814-000	031-00814-000	031-00814-000	031-00814-000	031-00814-000	031-00814-000
8A ^s	1	Micro Board	031-02050-001	031-02050-001	031-02050-001	031-02050-001	031-02050-001	031-02050-001
8B ^s	1	EPROM	031-02049-001	031-02049-001	031-02049-001	031-02049-001	031-02049-001	031-02049-001
10A	1	Fuse Holder	025-34484-000	025-34484-000	025-34484-000	025-34484-000	025-34484-000	025-34484-000
10B	1	Fuse	025-38360-000	025-38360-000	025-38360-000	025-38360-000	025-38360-000	025-38360-000

^s Recommended Spare Part

CONTROL PANEL AND POWER PANEL (CONT'D)

TABLE 7 (CONT'D) – CONTROL PANEL AND POWER PANEL COMPONENTS - YCAL0030-17, YCAL0030-28 & YCAL0030-40
(SEE FIGS. 6-11, PAGES 22-28)

Item	Qty	Description	YCAL0030-17 & YCAL0030-28				YCAL0030-40			
			Single Point Terminal Block	Single Point Non-Fused Disc. Sw.	Single Point Circuit Breaker	Single Point Terminal Block	Single Point Non-Fused Disc. Sw.	Single Point Circuit Breaker		
1A	2	Compressor Contactor (System 1)	024-31640-000	024-31640-000	024-31640-000	024-31813-000	024-31813-000	024-31813-000	024-31813-000	024-31813-000
1C	2	Surge Suppressor	031-02203-000	031-02203-000	031-02203-000	031-02203-000	031-02203-000	031-02203-000	031-02203-000	031-02203-000
1E	2	Ground Lug	025-34455-000	025-34455-000	025-34455-000	025-34455-000	025-34455-000	025-34455-000	025-34455-000	025-34455-000
2	1	Transformer (115/24V)	025-30889-000	025-30889-000	025-30889-000	025-30889-000	025-30889-000	025-30889-000	025-30889-000	025-30889-000
	3	Single Point TB	025-38363-000	N/A	N/A	025-38358-000	N/A	N/A	N/A	N/A
2A	1	Single Point CB	N/A	N/A	024-31649-000	N/A	N/A	N/A	024-31843-000	N/A
	1	Single Point NFDS	N/A	N/A	N/A	N/A	N/A	024-31888-000	N/A	N/A
2B	1	SP Handle & Oper Mech (NFDS&CB)	N/A	024-31878-000	024-31878-000	N/A	N/A	024-31878-000	024-31878-000	024-31878-000
2C	1	Single Point Lug Kit	N/A	025-34479-000	025-34479-000	N/A	N/A	025-34479-000	025-34478-000	025-34478-000
2J	1	Ground Lug	025-34455-000	025-34089-000	025-34089-000	025-34455-000	025-34089-000	025-34089-000	025-34088-000	025-34088-000
4	2	Transformer (4T & 5T)	025-27911-000	025-27911-000	025-27911-000	025-27911-000	025-27911-000	025-27911-000	025-27911-000	025-27911-000
5	1	Transformer (3T)	025-18452-000	025-18452-000	025-18452-000	025-18452-000	025-18452-000	025-18452-000	025-18452-000	025-18452-000
5A	4	Surge Suppressor	031-02100-000	031-02100-000	031-02100-000	031-02100-000	031-02100-000	031-02100-000	031-02100-000	031-02100-000
5B^s	4	Fan Contactor	024-34300-000	024-34300-000	024-34300-000	024-34302-000	024-34302-000	024-34302-000	024-34302-000	024-34302-000
5F^s	4	Fan Overload	024-33170-000	024-33170-000	024-33170-000	024-33169-000	024-33169-000	024-33169-000	024-33169-000	024-33169-000
6	1	Bridge Rectifier	031-02201-000	031-02201-000	031-02201-000	031-02201-000	031-02201-000	031-02201-000	031-02201-000	031-02201-000
6A	2	Relay	024-31635-000	024-31635-000	024-31635-000	024-31635-000	024-31635-000	024-31635-000	024-31635-000	024-31635-000
	2	Relay	024-33177-000	024-33177-000	024-33177-000	024-33177-000	024-33177-000	024-33177-000	024-33177-000	024-33177-000
6B	2	Surge Suppressor	031-00808-000	031-00808-000	031-00808-000	031-00808-000	031-00808-000	031-00808-000	031-00808-000	031-00808-000
7	1	Remote Current Reset	031-00814-000	031-00814-000	031-00814-000	031-00814-000	031-00814-000	031-00814-000	031-00814-000	031-00814-000
8A^s	1	Micro Board	031-02050-001	031-02050-001	031-02050-001	031-02050-001	031-02050-001	031-02050-001	031-02050-001	031-02050-001
8B^s	1	EPROM	031-02049-001	031-02049-001	031-02049-001	031-02049-001	031-02049-001	031-02049-001	031-02049-001	031-02049-001
10A	1	Fuse Holder	025-34484-000	025-34484-000	025-34484-000	025-34484-000	025-34484-000	025-34484-000	025-34484-000	025-34484-000
10B	1	Fuse	025-38360-000	025-38360-000	025-38360-000	025-38360-000	025-38360-000	025-38360-000	025-38360-000	025-38360-000

^s Recommended Spare Part

CONTROL PANEL AND POWER PANEL (CONT'D)

TABLE 7 (CONT'D) – CONTROL PANEL AND POWER PANEL COMPONENTS - YCAL0030-46 & YCAL0030-58
(SEE FIGS. 6-11, PAGES 22-28)

Item	Qty	Description	YCAL0030-46			YCAL0030-58		
			Single Point Terminal Block	Single Point Non-Fused Disc. Sw.	Single Point Circuit Breaker	Single Point Terminal Block	Single Point Non-Fused Disc. Sw.	Single Point Circuit Breaker
1A	2	Compressor Contactor (System 1)	024-31818-000	024-31818-000	024-31818-000	024-31817-000	024-31817-000	024-31817-000
1C	2	Surge Suppressor	031-02202-000	031-02202-000	031-02202-000	031-02202-000	031-02202-000	031-02202-000
1E	2	Ground Lug	025-34455-000	025-34455-000	025-34455-000	025-34455-000	025-34455-000	025-34455-000
2	1	Transformer (115/24V)	025-30889-000	025-30889-000	025-30889-000	025-30889-000	025-30889-000	025-30889-000
	3	Single Point TB	025-38358-000	N/A	N/A	025-38358-000	N/A	N/A
2A	1	Single Point CB	N/A	N/A	024-31841-000	N/A	N/A	024-31839-000
	1	Single Point NFDS	N/A	024-31888-000	N/A	N/A	024-31888-000	N/A
2B	1	SP Handle & Oper Mech (NFDS&CB)	N/A	024-31878-000	024-31878-000	N/A	024-31878-000	024-31878-000
2C	1	Single Point Lug Kit	N/A	025-34479-000	025-34478-000	N/A	025-34479-000	025-34477-000
2J	1	Ground Lug	025-34455-000	025-34089-000	025-34088-000	025-34455-000	025-34089-000	025-34455-000
4	2	Transformer (4T & 5T)	025-27911-000	025-27911-000	025-27911-000	025-27911-000	025-27911-000	025-27911-000
5	1	Transformer (3T)	025-18452-000	025-18452-000	025-18452-000	025-18452-000	025-18452-000	025-18452-000
5A	4	Surge Suppressor	031-02100-000	031-02100-000	031-02100-000	031-02100-000	031-02100-000	031-02100-000
5B^s	4	Fan Contactor	024-34302-000	024-34302-000	024-34302-000	024-34302-000	024-34302-000	024-34302-000
5F^s	4	Fan Overload	024-33169-000	024-33169-000	024-33169-000	024-33168-000	024-33168-000	024-33168-000
6	1	Bridge Rectifier	031-02201-000	031-02201-000	031-02201-000	031-02201-000	031-02201-000	031-02201-000
	2	Relay	024-31635-000	024-31635-000	024-31635-000	024-31635-000	024-31635-000	024-31635-000
6A	2	Relay	024-33177-000	024-33177-000	024-33177-000	024-33177-000	024-33177-000	024-33177-000
6B	2	Surge Suppressor	031-00808-000	031-00808-000	031-00808-000	031-00808-000	031-00808-000	031-00808-000
7	1	Remote Current Reset	031-00814-000	031-00814-000	031-00814-000	031-00814-000	031-00814-000	031-00814-000
8A^s	1	Micro Board	031-02050-001	031-02050-001	031-02050-001	031-02050-001	031-02050-001	031-02050-001
8B^s	1	EPROM	031-02049-001	031-02049-001	031-02049-001	031-02049-001	031-02049-001	031-02049-001
10A	1	Fuse Holder	025-34484-000	025-34484-000	025-34484-000	025-34484-000	025-34484-000	025-34484-000
10B	1	Fuse	025-38360-000	025-38360-000	025-38360-000	025-38360-000	025-38360-000	025-38360-000

^s Recommended Spare Part



CONTROL PANEL AND POWER PANEL (CONT'D)

TABLE 7 (CONT'D) – CONTROL PANEL AND POWER PANEL COMPONENTS - YCAL0034-17, YCAL0034-28 & YCAL0034-40
(SEE FIGS. 6-11, PAGES 22-28)

Item	Qty	Description	YCAL0034-17 & YCAL0034-28			YCAL0034-40		
			Single Point Terminal Block	Single Point Non-Fused Disc. Sw.	Single Point Circuit Breaker	Single Point Terminal Block	Single Point Non-Fused Disc. Sw.	Single Point Circuit Breaker
1A	2	Compressor Contactor (System 1)	371-04148-425	371-04148-525	371-04148-625	371-04148-435	371-04148-535	371-04148-635
1C	2	Surge Suppressor	024-31107-000	024-31107-000	024-31107-000	024-31818-000	024-31818-000	024-31818-000
1E	2	Ground Lug	031-02203-000	031-02203-000	031-02203-000	031-02202-000	031-02202-000	031-02202-000
2	1	Transformer (115/24V)	025-34455-000	025-34455-000	025-34455-000	025-34455-000	025-34455-000	025-34455-000
2A	3	Single Point TB	025-30889-000	025-30889-000	025-30889-000	025-30889-000	025-30889-000	025-30889-000
2B	1	SP Handle & Oper Mech (NFDS&CB)	025-38363-000	N/A	N/A	025-38358-000	N/A	N/A
2C	1	Single Point Lug Kit	N/A	N/A	024-31844-000	N/A	N/A	024-31843-000
2J	1	Ground Lug	N/A	N/A	N/A	N/A	024-31888-000	N/A
4	2	Transformer (4T & 5T)	N/A	024-31878-000	024-31878-000	N/A	024-31878-000	024-31878-000
5	1	Transformer (3T)	N/A	025-34479-000	025-34479-000	N/A	025-34479-000	025-34478-000
5A	4	Surge Suppressor	025-34088-000	025-34089-000	025-34088-000	025-34455-000	025-34089-000	025-34088-000
5B ^s	4	Fan Contactor	025-27911-000	025-27911-000	025-27911-000	025-27911-000	025-27911-000	025-27911-000
5F ^s	4	Fan Overload	025-18452-000	025-18452-000	025-18452-000	025-18452-000	025-18452-000	025-18452-000
6	1	Bridge Rectifier	031-02100-000	031-02100-000	031-02100-000	031-02100-000	031-02100-000	031-02100-000
6A	2	Relay	024-34300-000	024-34300-000	024-34300-000	024-34302-000	024-34302-000	024-34302-000
6B	2	Surge Suppressor	024-33170-000	024-33170-000	024-33170-000	024-33169-000	024-33169-000	024-33169-000
7	1	Remote Current Reset	031-02201-000	031-02201-000	031-02201-000	031-02201-000	031-02201-000	031-02201-000
8A ^s	1	Micro Board	024-31635-000	024-31635-000	024-31635-000	024-31635-000	024-31635-000	024-31635-000
8B ^s	1	EPROM	024-33177-000	024-33177-000	024-33177-000	024-33177-000	024-33177-000	024-33177-000
10A	1	Fuse Holder	031-00808-000	031-00808-000	031-00808-000	031-00808-000	031-00808-000	031-00808-000
10B	1	Fuse	031-00814-000	031-00814-000	031-00814-000	031-00814-000	031-00814-000	031-00814-000
			031-02050-001	031-02050-001	031-02050-001	031-02050-001	031-02050-001	031-02050-001
			031-02049-001	031-02049-001	031-02049-001	031-02049-001	031-02049-001	031-02049-001
			025-34484-000	025-34484-000	025-34484-000	025-34484-000	025-34484-000	025-34484-000
			025-38360-000	025-38360-000	025-38360-000	025-38360-000	025-38360-000	025-38360-000

^s Recommended Spare Part

CONTROL PANEL AND POWER PANEL (CONT'D)

TABLE 7 (CONT'D) – CONTROL PANEL AND POWER PANEL COMPONENTS - YCAL0034-46 & YCAL0034-58
(SEE FIGS. 6-11, PAGES 22-28)

Item	Qty	Description	YCAL0034-46			YCAL0034-58		
			Single Point Terminal Block	Single Point Non-Fused Disc. Sw.	Single Point Circuit Breaker	Single Point Terminal Block	Single Point Non-Fused Disc. Sw.	Single Point Circuit Breaker
1A	2	Compressor Contactor (System 1)	024-31818-000	024-31818-000	024-31818-000	024-31817-000	024-31817-000	024-31817-000
1C	2	Surge Suppressor	031-02202-000	031-02202-000	031-02202-000	031-02202-000	031-02202-000	031-02202-000
1E	2	Ground Lug	025-34455-000	025-34455-000	025-34455-000	025-34455-000	025-34455-000	025-34455-000
2	1	Transformer (115/24V)	025-30889-000	025-30889-000	025-30889-000	025-30889-000	025-30889-000	025-30889-000
	3	Single Point TB	025-38358-000	N/A	N/A	025-38358-000	N/A	N/A
2A	1	Single Point CB	N/A	N/A	024-31842-000	N/A	N/A	024-31840-000
	1	Single Point NFDS	N/A	024-31888-000	N/A	N/A	024-31888-000	N/A
2B	1	SP Handle & Oper Mech (NFDS&CB)	N/A	024-31878-000	024-31878-000	N/A	024-31878-000	024-31878-000
2C	1	Single Point Lug Kit	N/A	025-34479-000	025-34478-000	N/A	025-34479-000	025-34478-000
2J	1	Ground Lug	025-34455-000	025-34089-000	025-34088-000	025-34455-000	025-34089-000	025-34088-000
4	2	Transformer (4T & 5T)	025-27911-000	025-27911-000	025-27911-000	025-27911-000	025-27911-000	025-27911-000
5	1	Transformer (3T)	025-18452-000	025-18452-000	025-18452-000	025-18452-000	025-18452-000	025-18452-000
5A	4	Surge Suppressor	031-02100-000	031-02100-000	031-02100-000	031-02100-000	031-02100-000	031-02100-000
5B^s	4	Fan Contactor	024-34302-000	024-34302-000	024-34302-000	024-34302-000	024-34302-000	024-34302-000
5F^s	4	Fan Overload	024-33169-000	024-33169-000	024-33169-000	024-33168-000	024-33168-000	024-33168-000
6	1	Bridge Rectifier	031-02201-000	031-02201-000	031-02201-000	031-02201-000	031-02201-000	031-02201-000
	2	Relay	024-31635-000	024-31635-000	024-31635-000	024-31635-000	024-31635-000	024-31635-000
6A	2	Relay	024-33177-000	024-33177-000	024-33177-000	024-33177-000	024-33177-000	024-33177-000
6B	2	Surge Suppressor	031-00808-000	031-00808-000	031-00808-000	031-00808-000	031-00808-000	031-00808-000
7	1	Remote Current Reset	031-00814-000	031-00814-000	031-00814-000	031-00814-000	031-00814-000	031-00814-000
8A^s	1	Micro Board	031-02050-001	031-02050-001	031-02050-001	031-02050-001	031-02050-001	031-02050-001
8B^s	1	EPROM	031-02049-001	031-02049-001	031-02049-001	031-02049-001	031-02049-001	031-02049-001
10A	1	Fuse Holder	025-34484-000	025-34484-000	025-34484-000	025-34484-000	025-34484-000	025-34484-000
10B	1	Fuse	025-38360-000	025-38360-000	025-38360-000	025-38360-000	025-38360-000	025-38360-000

^s Recommended Spare Part

CONTROL PANEL AND POWER PANEL (CONT'D)

TABLE 7 (CONT'D) – CONTROL PANEL AND POWER PANEL COMPONENTS - YCAL0040-17 & YCAL0040-28 (SEE FIGS. 6-11, PAGES 22-28)

Item	Qty	Description	Multi-Point Sep Sys Term Blocks 371-04149-121	Multi-Point Sep Sys NF Disc. Sws. 371-04149-221	Multi-Point Sep Sys Circuit Brkrs 371-04149-321	Single Point Terminal Block 371-04149-421	Single Point Non-Fused Disc. Sw. 371-04149-521	Single Point Circuit Breaker 371-04149-621	Single Point TB w/ Sep Sys CBs 371-04149-621	Single Point NF Disc Sw w/ Sep Sys CBs 371-04149-621
1A	2	Compressor Contactor (System 1)	024-31106-000	024-31106-000	024-31106-000	024-31107-000	024-31107-000	024-31107-000	024-31107-000	024-31107-000
	2	Compressor Contactor (System 2)	024-31106-000	024-31106-000	024-31106-000	024-31107-000	024-31107-000	024-31107-000	024-31107-000	024-31107-000
1C	4	Surge Suppressor	031-02203-000	031-02203-000	031-02203-000	031-02203-000	031-02203-000	031-02203-000	031-02203-000	031-02203-000
1E	4	Ground Lug	025-34455-000	025-34455-000	025-34455-000	025-34455-000	025-34455-000	025-34455-000	025-34455-000	025-34455-000
2	1	Transformer (115/24V)	025-30889-000	025-30889-000	025-30889-000	025-30889-000	025-30889-000	025-30889-000	025-30889-000	025-30889-000
	3	Single Point TB	N/A	N/A	N/A	025-38363-000	N/A	N/A	025-38363-000	N/A
2A	1	Single Point CB	N/A	N/A	N/A	N/A	N/A	024-31851-000	N/A	N/A
	1	Single Point NFDS	N/A	N/A	N/A	N/A	024-30963-000	N/A	N/A	024-30963-000
2B	1	SP Oper Mech (NFDS&CB)	N/A	N/A	N/A	N/A	024-31878-000	024-31878-000	N/A	024-31878-000
2C	1	Single Point Lug Kit	N/A	N/A	N/A	N/A	025-34418-000	025-34480-000	N/A	025-34480-000
2J	1	Ground Lug	N/A	N/A	N/A	025-34088-000	025-34085-000	025-34089-000	025-34088-000	025-34089-000
4	2	Transformer (4T & 5T)	025-27911-000	025-27911-000	025-27911-000	025-27911-000	025-27911-000	025-27911-000	025-27911-000	025-27911-000
	3	Terminal Block (System 1)	025-38358-000	N/A	N/A	N/A	N/A	N/A	N/A	N/A
	3	Terminal Block (System 2)	025-38358-000	N/A	N/A	N/A	N/A	N/A	N/A	N/A
4A	1	Circuit Breaker (System 1)	N/A	N/A	024-31843-000	N/A	N/A	N/A	024-31843-000	024-31843-000
	1	Circuit Breaker (System 2)	N/A	N/A	024-31843-000	N/A	N/A	N/A	024-31843-000	024-31843-000
	1	NF Disconnect Switch (System 1)	N/A	024-31888-000	N/A	N/A	N/A	N/A	N/A	N/A
	1	NF Disconnect Switch (System 2)	N/A	024-31888-000	N/A	N/A	N/A	N/A	N/A	N/A
4B	2	MP Oper. Mech. (NFDS&CB)	N/A	N/A	024-31878-000	N/A	N/A	N/A	024-31878-000	024-31878-000
4C	2	Lug Kit	N/A	025-34478-000	025-34478-000	N/A	N/A	N/A	025-34478-000	025-34478-000
4J	2	Ground Lug	025-34455-000	025-34088-000	025-34088-000	N/A	N/A	N/A	025-34088-000	025-34088-000
5	1	Transformer (3T)	025-18452-000	025-18452-000	025-18452-000	025-18452-000	025-18452-000	025-18452-000	025-18452-000	025-18452-000
5A	4	Surge Suppressor	031-02100-000	031-02100-000	031-02100-000	031-02100-000	031-02100-000	031-02100-000	031-02100-000	031-02100-000
5B ^s	4	Fan Contactor	024-34300-000	024-34300-000	024-34300-000	024-34300-000	024-34300-000	024-34300-000	024-34300-000	024-34300-000
5F ^s	4	Fan Overload	024-33170-000	024-33170-000	024-33170-000	024-33170-000	024-33170-000	024-33170-000	024-33170-000	024-33170-000
6	1	Bridge Rectifier	031-02201-000	031-02201-000	031-02201-000	031-02201-000	031-02201-000	031-02201-000	031-02201-000	031-02201-000
6A	2	Relay	024-31635-000	024-31635-000	024-31635-000	024-31635-000	024-31635-000	024-31635-000	024-31635-000	024-31635-000
	2	Surge Suppressor	024-33177-000	024-33177-000	024-33177-000	024-33177-000	024-33177-000	024-33177-000	024-33177-000	024-33177-000
6B	2	Surge Suppressor	031-00808-000	031-00808-000	031-00808-000	031-00808-000	031-00808-000	031-00808-000	031-00808-000	031-00808-000
7	1	Remote Current Reset	031-00814-000	031-00814-000	031-00814-000	031-00814-000	031-00814-000	031-00814-000	031-00814-000	031-00814-000
8A ^s	1	Micro Board	031-02050-001	031-02050-001	031-02050-001	031-02050-001	031-02050-001	031-02050-001	031-02050-001	031-02050-001
8B ^s	1	EPROM	031-02049-001	031-02049-001	031-02049-001	031-02049-001	031-02049-001	031-02049-001	031-02049-001	031-02049-001
10A	1	Fuse Holder	025-34484-000	025-34484-000	025-34484-000	025-34484-000	025-34484-000	025-34484-000	025-34484-000	025-34484-000
10B	1	Fuse	025-38360-000	025-38360-000	025-38360-000	025-38360-000	025-38360-000	025-38360-000	025-38360-000	025-38360-000

Control & Power Panel

CONTROL PANEL AND POWER PANEL (CONT'D)

TABLE 7 (CONT'D) – CONTROL PANEL AND POWER PANEL COMPONENTS - YCAL0040-40 (SEE FIGS. 6-11, PAGES 22-28)

Item	Qty	Description	Multi-Point Sep Sys Term Blocks 371-04149-131	Multi-Point Sep Sys NF Disc. Sws. 371-04149-231	Multi-Point Sep Sys Circuit Brkrs 371-04149-331	Single Point Terminal Block 371-04149-431	Single Point Non-Fused Disc. Sw. 371-04149-531	Single Point Circuit Breaker 371-04149-631	Single Point TB w/ Sep Sys CBs 371-04149-731	Single Point NF Disc Sw w/ Sep Sys CBs 371-04149-831
1A	2	Compressor Contactor (System 1)	024-31818-000	024-31818-000	024-31818-000	024-31818-000	024-31818-000	024-31818-000	024-31818-000	024-31818-000
	2	Compressor Contactor (System 2)	024-31818-000	024-31818-000	024-31818-000	024-31818-000	024-31818-000	024-31818-000	024-31818-000	024-31818-000
1C	4	Surge Suppressor	031-02202-000	031-02202-000	031-02202-000	031-02202-000	031-02202-000	031-02202-000	031-02202-000	031-02202-000
1E	4	Ground Lug	025-34455-000	025-34455-000	025-34455-000	025-34455-000	025-34455-000	025-34455-000	025-34455-000	025-34455-000
2	1	Transformer (115/24V)	025-30889-000	025-30889-000	025-30889-000	025-30889-000	025-30889-000	025-30889-000	025-30889-000	025-30889-000
	3	Single Point TB	N/A	N/A	N/A	025-38358-000	N/A	N/A	025-38358-000	N/A
2A	1	Single Point CB	N/A	N/A	N/A	N/A	N/A	024-31844-000	N/A	N/A
	1	Single Point NFDS	N/A	N/A	N/A	N/A	024-31888-000	N/A	N/A	024-31888-000
2B	1	SP Oper. Mech. (NFDS&CB)	N/A	N/A	N/A	N/A	024-31878-000	024-31878-000	N/A	024-31878-000
2C	1	Single Point Lug Kit	N/A	N/A	N/A	N/A	025-34479-000	025-34479-000	N/A	025-34479-000
2J	1	Ground Lug	N/A	N/A	N/A	025-34455-000	025-34089-000	025-34088-000	025-34455-000	025-34089-000
4	2	Transformer (4T & 5T)	025-27911-000	025-27911-000	025-27911-000	025-27911-000	025-27911-000	025-27911-000	025-27911-000	025-27911-000
	3	Terminal Block (System 1)	025-38358-000	N/A	N/A	N/A	N/A	N/A	N/A	N/A
	3	Terminal Block (System 2)	025-38358-000	N/A	N/A	N/A	N/A	N/A	N/A	N/A
4A	1	Circuit Breaker (System 1)	N/A	N/A	024-31839-000	N/A	N/A	N/A	024-31839-000	024-31839-000
	1	Circuit Breaker (System 2)	N/A	N/A	024-31839-000	N/A	N/A	N/A	024-31839-000	024-31839-000
	1	NF Disconnect Switch (System 1)	N/A	024-31888-000	N/A	N/A	N/A	N/A	N/A	N/A
	1	NF Disconnect Switch (System 2)	N/A	024-31888-000	N/A	N/A	N/A	N/A	N/A	N/A
4B	2	MP Oper. Mech. (NFDS&CB)	N/A	024-31878-000	024-31878-000	N/A	N/A	N/A	024-31878-000	024-31878-000
4C	2	Lug Kit	N/A	025-34479-000	025-34477-000	N/A	N/A	N/A	025-34477-000	025-34477-000
4J	2	Ground Lug	025-34455-000	025-34089-000	025-34455-000	N/A	N/A	N/A	025-34455-000	025-34455-000
5	1	Transformer (3T)	025-18452-000	025-18452-000	025-18452-000	025-18452-000	025-18452-000	025-18452-000	025-18452-000	025-18452-000
5A	4	Surge Suppressor	031-02100-000	031-02100-000	031-02100-000	031-02100-000	031-02100-000	031-02100-000	031-02100-000	031-02100-000
5B ^S	4	Fan Contactor	024-34302-000	024-34302-000	024-34302-000	024-34302-000	024-34302-000	024-34302-000	024-34302-000	024-34302-000
5F ^S	4	Fan Overload	024-33169-000	024-33169-000	024-33169-000	024-33169-000	024-33169-000	024-33169-000	024-33169-000	024-33169-000
6	1	Bridge Rectifier	031-02201-000	031-02201-000	031-02201-000	031-02201-000	031-02201-000	031-02201-000	031-02201-000	031-02201-000
	2	Relay	024-31635-000	024-31635-000	024-31635-000	024-31635-000	024-31635-000	024-31635-000	024-31635-000	024-31635-000
6A	2	Surge Suppressor	024-33177-000	024-33177-000	024-33177-000	024-33177-000	024-33177-000	024-33177-000	024-33177-000	024-33177-000
6B	2	Surge Suppressor	031-00808-000	031-00808-000	031-00808-000	031-00808-000	031-00808-000	031-00808-000	031-00808-000	031-00808-000
7	1	Remote Current Reset	031-00814-000	031-00814-000	031-00814-000	031-00814-000	031-00814-000	031-00814-000	031-00814-000	031-00814-000
8A ^S	1	Micro Board	031-02050-001	031-02050-001	031-02050-001	031-02050-001	031-02050-001	031-02050-001	031-02050-001	031-02050-001
8B ^S	1	EPROM	031-02049-001	031-02049-001	031-02049-001	031-02049-001	031-02049-001	031-02049-001	031-02049-001	031-02049-001
10A	1	Fuse Holder	025-34484-000	025-34484-000	025-34484-000	025-34484-000	025-34484-000	025-34484-000	025-34484-000	025-34484-000
10B	1	Fuse	025-38360-000	025-38360-000	025-38360-000	025-38360-000	025-38360-000	025-38360-000	025-38360-000	025-38360-000

Control & Power Panel

CONTROL PANEL AND POWER PANEL (CONT'D)

TABLE 7 (CONT'D) – CONTROL PANEL AND POWER PANEL COMPONENTS - YCAL0040-46 (SEE FIGS. 6-11, PAGES 22-28)

Item Qty	Description	Multi-Point Sep Sys Term Blocks 371-04149-131	Multi-Point Sep Sys NF Disc. Sws. 371-04149-231	Multi-Point Sep Sys Circuit Brkrs 371-04149-331	Single Point Terminal Block 371-04149-431	Single Point Non-Fused Disc. Sw. 371-04149-541	Single Point Circuit Breaker 371-04149-641	Single Point TB w/ Sep Sys CBs 371-04149-731	Single Point NF Disc Sw w/ Sep Sys CBs 371-04149-841
1A	2 Compressor Contactor (System 1)	024-31818-000	024-31818-000	024-31818-000	024-31818-000	024-31818-000	024-31818-000	024-31818-000	024-31818-000
	2 Compressor Contactor (System 2)	024-31818-000	024-31818-000	024-31818-000	024-31818-000	024-31818-000	024-31818-000	024-31818-000	024-31818-000
1C	4 Surge Suppressor	031-02202-000	031-02202-000	031-02202-000	031-02202-000	031-02202-000	031-02202-000	031-02202-000	031-02202-000
1E	4 Ground Lug	025-34455-000	025-34455-000	025-34455-000	025-34455-000	025-34455-000	025-34455-000	025-34455-000	025-34455-000
2	1 Transformer (115/24V)	025-30889-000	025-30889-000	025-30889-000	025-30889-000	025-30889-000	025-30889-000	025-30889-000	025-30889-000
	3 Single Point TB	N/A	N/A	N/A	025-38358-000	N/A	N/A	025-38358-000	N/A
2A	1 Single Point CB	N/A	N/A	N/A	N/A	N/A	024-31843-000	N/A	024-31843-000
	1 Single Point NFDS	N/A	N/A	N/A	N/A	024-31888-000	N/A	N/A	N/A
2B	1 SP Oper. Mech. (NFDS&CB)	N/A	N/A	N/A	N/A	024-31878-000	024-31878-000	N/A	024-31878-000
2C	1 Single Point Lug Kit	N/A	N/A	N/A	N/A	025-34479-000	025-34478-000	N/A	025-34478-000
2J	1 Ground Lug	N/A	N/A	N/A	025-34455-000	025-34089-000	025-34088-000	025-34455-000	025-34088-000
4	2 Transformer (4T & 5T)	025-27911-000	025-27911-000	025-27911-000	025-27911-000	025-27911-000	025-27911-000	025-27911-000	025-27911-000
	3 Terminal Block (System 1)	025-38358-000	N/A	N/A	N/A	N/A	N/A	N/A	N/A
	3 Terminal Block (System 2)	025-38358-000	N/A	N/A	N/A	N/A	N/A	N/A	N/A
4A	1 Circuit Breaker (System 1)	N/A	N/A	024-31839-000	N/A	N/A	N/A	024-31839-000	024-31839-000
	1 Circuit Breaker (System 2)	N/A	N/A	024-31839-000	N/A	N/A	N/A	024-31839-000	024-31839-000
	1 NF Disconnect Switch (System 1)	N/A	024-31888-000	N/A	N/A	N/A	N/A	N/A	N/A
	1 NF Disconnect Switch (System 2)	N/A	024-31888-000	N/A	N/A	N/A	N/A	N/A	N/A
4B	2 Oper. Mech. (NFDS&CB)	N/A	024-31878-000	024-31878-000	N/A	N/A	N/A	024-31878-000	024-31878-000
4C	2 Lug Kit	N/A	025-34479-000	025-34477-000	N/A	N/A	N/A	025-34477-000	025-34477-000
4J	2 Ground Lug	025-34455-000	025-34089-000	025-34455-000	N/A	N/A	N/A	025-34455-000	025-34455-000
5	1 Transformer (3T)	025-18452-000	025-18452-000	025-18452-000	025-18452-000	025-18452-000	025-18452-000	025-18452-000	025-18452-000
5A	4 Surge Suppressor	031-02100-000	031-02100-000	031-02100-000	031-02100-000	031-02100-000	031-02100-000	031-02100-000	031-02100-000
5B ^S	4 Fan Contactor	024-34302-000	024-34302-000	024-34302-000	024-34302-000	024-34302-000	024-34302-000	024-34302-000	024-34302-000
5F ^S	4 Fan Overload	024-33169-000	024-33169-000	024-33169-000	024-33169-000	024-33169-000	024-33169-000	024-33169-000	024-33169-000
6	1 Bridge Rectifier	031-02201-000	031-02201-000	031-02201-000	031-02201-000	031-02201-000	031-02201-000	031-02201-000	031-02201-000
	2 Relay	024-31635-000	024-31635-000	024-31635-000	024-31635-000	024-31635-000	024-31635-000	024-31635-000	024-31635-000
6A	2	024-33177-000	024-33177-000	024-33177-000	024-33177-000	024-33177-000	024-33177-000	024-33177-000	024-33177-000
6B	2 Surge Suppressor	031-00808-000	031-00808-000	031-00808-000	031-00808-000	031-00808-000	031-00808-000	031-00808-000	031-00808-000
7	1 Remote Current Reset	031-00814-000	031-00814-000	031-00814-000	031-00814-000	031-00814-000	031-00814-000	031-00814-000	031-00814-000
8A ^S	1 Micro Board	031-02050-001	031-02050-001	031-02050-001	031-02050-001	031-02050-001	031-02050-001	031-02050-001	031-02050-001
8B ^S	1 EPROM	031-02049-001	031-02049-001	031-02049-001	031-02049-001	031-02049-001	031-02049-001	031-02049-001	031-02049-001
10A	1 Fuse Holder	025-34484-000	025-34484-000	025-34484-000	025-34484-000	025-34484-000	025-34484-000	025-34484-000	025-34484-000
10B	1 Fuse	025-38360-000	025-38360-000	025-38360-000	025-38360-000	025-38360-000	025-38360-000	025-38360-000	025-38360-000

Control & Power Panel

CONTROL PANEL AND POWER PANEL (CONT'D)

TABLE 7 (CONT'D) – CONTROL PANEL AND POWER PANEL COMPONENTS - YCAL0040-58 (SEE FIGS. 6-11, PAGES 22-28)

Item	Qty	Description	Multi-Point Sep Sys Term Blocks 371-04149-151	Multi-Point Sep Sys NF Disc. Sws. 371-04149-251	Multi-Point Sep Sys Circuit Brkrs 371-04149-351	Single Point Terminal Block 371-04149-451	Single Point Non-Fused Disc. Sw. 371-04149-551	Single Point Circuit Breaker 371-04149-651	Single Point TB w/ Sep Sys CBs 371-04149-751	Single Point NF Disc Sw w/ Sep Sys CBs 371-04149-851
1A	2	Compressor Contactor (System 1)	024-31817-000	024-31817-000	024-31817-000	024-31817-000	024-31817-000	024-31817-000	024-31817-000	024-31817-000
	2	Compressor Contactor (System 2)	024-31817-000	024-31817-000	024-31817-000	024-31817-000	024-31817-000	024-31817-000	024-31817-000	024-31817-000
1C	4	Surge Suppressor	031-02202-000	031-02202-000	031-02202-000	031-02202-000	031-02202-000	031-02202-000	031-02202-000	031-02202-000
1E	4	Ground Lug	025-34455-000	025-34455-000	025-34455-000	025-34455-000	025-34455-000	025-34455-000	025-34455-000	025-34455-000
2	1	Transformer (115/24V)	025-30889-000	025-30889-000	025-30889-000	025-30889-000	025-30889-000	025-30889-000	025-30889-000	025-30889-000
	3	Single Point TB	N/A	N/A	N/A	025-38358-000	N/A	N/A	025-38358-000	N/A
2A	1	Single Point CB	N/A	N/A	N/A	N/A	N/A	024-31841-000	N/A	N/A
	1	Single Point NFDS	N/A	N/A	N/A	N/A	024-31888-000	N/A	N/A	024-31888-000
2B	1	SP Oper. Mech. (NFDS&CB)	N/A	N/A	N/A	N/A	024-31878-000	024-31878-000	N/A	024-31878-000
2C	1	Single Point Lug Kit	N/A	N/A	N/A	N/A	025-34479-000	025-34478-000	N/A	025-34479-000
2J	1	Ground Lug	N/A	N/A	N/A	025-34455-000	025-34089-000	025-34088-000	025-34455-000	025-34089-000
4	2	Transformer (4T & 5T)	025-27911-000	025-27911-000	025-27911-000	025-27911-000	025-27911-000	025-27911-000	025-27911-000	025-27911-000
	3	Terminal Block (System 1)	025-38358-000	N/A	N/A	N/A	N/A	N/A	N/A	N/A
	3	Terminal Block (System 2)	025-38358-000	N/A	N/A	N/A	N/A	N/A	N/A	N/A
4A	1	Circuit Breaker (System 1)	N/A	N/A	024-31837-000	N/A	N/A	N/A	024-31837-000	024-31837-000
	1	Circuit Breaker (System 2)	N/A	N/A	024-31837-000	N/A	N/A	N/A	024-31837-000	024-31837-000
	1	NF Disconnect Switch (System 1)	N/A	024-31888-000	N/A	N/A	N/A	N/A	N/A	N/A
	1	NF Disconnect Switch (System 2)	N/A	024-31888-000	N/A	N/A	N/A	N/A	N/A	N/A
4B	2	MP Oper. Mech. (NFDS&CB)	N/A	024-31878-000	024-31878-000	N/A	N/A	N/A	024-31878-000	024-31878-000
4C	2	Lug Kit	N/A	025-34479-000	025-34477-000	N/A	N/A	N/A	025-34477-000	025-34477-000
4J	2	Ground Lug	025-34455-000	025-34089-000	025-34455-000	N/A	N/A	N/A	025-34455-000	025-34455-000
5	1	Transformer (3T)	025-18452-000	025-18452-000	025-18452-000	025-18452-000	025-18452-000	025-18452-000	025-18452-000	025-18452-000
5A	4	Surge Suppressor	031-02100-000	031-02100-000	031-02100-000	031-02100-000	031-02100-000	031-02100-000	031-02100-000	031-02100-000
5B ^s	4	Fan Contactor	024-34302-000	024-34302-000	024-34302-000	024-34302-000	024-34302-000	024-34302-000	024-34302-000	024-34302-000
5F ^s	4	Fan Overload	024-33168-000	024-33168-000	024-33168-000	024-33168-000	024-33168-000	024-33168-000	024-33168-000	024-33168-000
6	1	Bridge Rectifier	031-02201-000	031-02201-000	031-02201-000	031-02201-000	031-02201-000	031-02201-000	031-02201-000	031-02201-000
	2	Relay	024-31635-000	024-31635-000	024-31635-000	024-31635-000	024-31635-000	024-31635-000	024-31635-000	024-31635-000
6A	2	Relay	024-33177-000	024-33177-000	024-33177-000	024-33177-000	024-33177-000	024-33177-000	024-33177-000	024-33177-000
6B	2	Surge Suppressor	031-00808-000	031-00808-000	031-00808-000	031-00808-000	031-00808-000	031-00808-000	031-00808-000	031-00808-000
7	1	Remote Current Reset	031-00814-000	031-00814-000	031-00814-000	031-00814-000	031-00814-000	031-00814-000	031-00814-000	031-00814-000
8A ^s	1	Micro Board	031-02050-001	031-02050-001	031-02050-001	031-02050-001	031-02050-001	031-02050-001	031-02050-001	031-02050-001
8B ^s	1	EPROM	031-02049-001	031-02049-001	031-02049-001	031-02049-001	031-02049-001	031-02049-001	031-02049-001	031-02049-001
10A	1	Fuse Holder	025-34484-000	025-34484-000	025-34484-000	025-34484-000	025-34484-000	025-34484-000	025-34484-000	025-34484-000
10B	1	Fuse	025-38360-000	025-38360-000	025-38360-000	025-38360-000	025-38360-000	025-38360-000	025-38360-000	025-38360-000

CONTROL PANEL AND POWER PANEL (CONT'D)

TABLE 7 (CONT'D) – CONTROL PANEL AND POWER PANEL COMPONENTS - YCAL0042-17 & YCAL0042-28 (SEE FIGS. 6-11, PAGES 22-28)

Item	Qty	Description	Multi-Point Sep Sys Term Blocks 371-04149-122	Multi-Point Sep Sys NF Disc. Sws. 371-04149-222	Multi-Point Sep Sys Circuit Brkrs 371-04149-322	Single Point Terminal Block 371-04149-422	Single Point Non-Fused Disc. Sw. 371-04149-521	Single Point Circuit Breaker 371-04149-621	Single Point TB w/ Sep Sys CBs 371-04149-722	Single Point NF Disc Sw w/ Sep Sys CBs 371-04149-822
1A	2	Compressor Contactor (System 1)	024-31107-000	024-31107-000	024-31107-000	024-31107-000	024-31107-000	024-31107-000	024-31107-000	024-31107-000
	2	Compressor Contactor (System 2)	024-31106-000	024-31106-000	024-31106-000	024-31107-000	024-31107-000	024-31107-000	024-31106-000	024-31106-000
1C	4	Surge Suppressor	031-02203-000	031-02203-000	031-02203-000	031-02203-000	031-02203-000	031-02203-000	031-02203-000	031-02203-000
1E	4	Ground Lug	025-34455-000	025-34455-000	025-34455-000	025-34455-000	025-34455-000	025-34455-000	025-34455-000	025-34455-000
2	1	Transformer (115/24V)	025-30889-000	025-30889-000	025-30889-000	025-30889-000	025-30889-000	025-30889-000	025-30889-000	025-30889-000
	3	Single Point TB	N/A	N/A	N/A	025-38364-000	N/A	N/A	025-38364-000	N/A
2A	1	Single Point CB	N/A	N/A	N/A	N/A	N/A	024-31851-000	N/A	N/A
	1	Single Point NFDS	N/A	N/A	N/A	N/A	024-30963-000	N/A	N/A	024-30963-000
2B	1	SP Oper. Mech. (NFDS&CB)	N/A	N/A	N/A	N/A	024-31878-000	024-31878-000	N/A	024-31878-000
2C	1	Single Point Lug Kit	N/A	N/A	N/A	N/A	025-34418-000	025-34480-000	N/A	025-34418-000
2J	1	Ground Lug	N/A	N/A	N/A	025-34089-000	025-34085-000	025-34089-000	025-34089-000	025-34085-000
4	2	Transformer (4T & 5T)	025-27911-000	025-27911-000	025-27911-000	025-27911-000	025-27911-000	025-27911-000	025-27911-000	025-27911-000
	3	Terminal Block (System 1)	025-38358-000	N/A	N/A	N/A	N/A	N/A	N/A	N/A
	3	Terminal Block (System 2)	025-38358-000	N/A	N/A	N/A	N/A	N/A	N/A	N/A
4A	1	Circuit Breaker (System 1)	N/A	N/A	024-31844-000	N/A	N/A	N/A	024-31844-000	024-31844-000
	1	Circuit Breaker (System 2)	N/A	N/A	024-31843-000	N/A	N/A	N/A	024-31843-000	024-31843-000
	1	NF Disconnect Switch (System 1)	N/A	024-31888-000	N/A	N/A	N/A	N/A	N/A	N/A
	1	NF Disconnect Switch (System 2)	N/A	024-31888-000	N/A	N/A	N/A	N/A	N/A	N/A
4B	2	MP Oper. Mech. (NFDS&CB)	N/A	024-31878-000	024-31878-000	N/A	N/A	N/A	024-31878-000	024-31878-000
4C	1	Lug Kit (System 1)	N/A	025-34478-000	025-34479-000	N/A	N/A	N/A	025-34479-000	025-34479-000
	1	Lug Kit (System 2)	N/A	025-34478-000	025-34478-000	N/A	N/A	N/A	025-34478-000	025-34478-000
4J	2	Ground Lug	025-34455-000	025-34088-000	025-34088-000	N/A	N/A	N/A	025-34088-000	025-34088-000
5	1	Transformer (3T)	025-18452-000	025-18452-000	025-18452-000	025-18452-000	025-18452-000	025-18452-000	025-18452-000	025-18452-000
5A	4	Surge Suppressor	031-02100-000	031-02100-000	031-02100-000	031-02100-000	031-02100-000	031-02100-000	031-02100-000	031-02100-000
5B ^s	4	Fan Contactor	024-34300-000	024-34300-000	024-34300-000	024-34300-000	024-34300-000	024-34300-000	024-34300-000	024-34300-000
5F ^s	4	Fan Overload	024-33170-000	024-33170-000	024-33170-000	024-33170-000	024-33170-000	024-33170-000	024-33170-000	024-33170-000
6	1	Bridge Rectifier	031-02201-000	031-02201-000	031-02201-000	031-02201-000	031-02201-000	031-02201-000	031-02201-000	031-02201-000
	2	Relay	024-31635-000	024-31635-000	024-31635-000	024-31635-000	024-31635-000	024-31635-000	024-31635-000	024-31635-000
6A	2	Relay	024-33177-000	024-33177-000	024-33177-000	024-33177-000	024-33177-000	024-33177-000	024-33177-000	024-33177-000
6B	2	Surge Suppressor	031-00808-000	031-00808-000	031-00808-000	031-00808-000	031-00808-000	031-00808-000	031-00808-000	031-00808-000
7	1	Remote Current Reset	031-00814-000	031-00814-000	031-00814-000	031-00814-000	031-00814-000	031-00814-000	031-00814-000	031-00814-000
8A ^s	1	Micro Board	031-02050-001	031-02050-001	031-02050-001	031-02050-001	031-02050-001	031-02050-001	031-02050-001	031-02050-001
8B ^s	1	EPROM	031-02049-001	031-02049-001	031-02049-001	031-02049-001	031-02049-001	031-02049-001	031-02049-001	031-02049-001
10A	1	Fuse Holder	025-34484-000	025-34484-000	025-34484-000	025-34484-000	025-34484-000	025-34484-000	025-34484-000	025-34484-000
10B	1	Fuse	025-38360-000	025-38360-000	025-38360-000	025-38360-000	025-38360-000	025-38360-000	025-38360-000	025-38360-000

Control & Power Panel

CONTROL PANEL AND POWER PANEL (CONT'D)

TABLE 7 (CONT'D) – CONTROL PANEL AND POWER PANEL COMPONENTS - YCAL0042-40 (SEE FIGS. 6-11, PAGES 22-28)

Item Qty	Description	Multi-Point Sep Sys Term Blocks 371-04149-131	Multi-Point Sep Sys NF Disc. Sws. 371-04149-232	Multi-Point Sep Sys Circuit Brkrs 371-04149-332	Single Point Terminal Block 371-04149-431	Single Point Non-Fused Disc. Sw. 371-04149-531	Single Point Circuit Breaker 371-04149-631	Single Point TB w/ Sep Sys CBs 371-04149-732	Single Point NF Disc Sw w/ Sep Sys CBs 371-04149-832
1A	2 Compressor Contactor (System 1)	024-31817-000	024-31817-000	024-31817-000	024-31817-000	024-31817-000	024-31817-000	024-31817-000	024-31817-000
	2 Compressor Contactor (System 2)	024-31817-000	024-31817-000	024-31817-000	024-31817-000	024-31817-000	024-31817-000	024-31817-000	024-31817-000
1C	4 Surge Suppressor	031-02202-000	031-02202-000	031-02202-000	031-02202-000	031-02202-000	031-02202-000	031-02202-000	031-02202-000
1E	4 Ground Lug	025-34455-000	025-34455-000	025-34455-000	025-34455-000	025-34455-000	025-34455-000	025-34455-000	025-34455-000
2	1 Transformer (115/24V)	025-30889-000	025-30889-000	025-30889-000	025-30889-000	025-30889-000	025-30889-000	025-30889-000	025-30889-000
	3 Single Point TB	N/A	N/A	N/A	025-38358-000	N/A	N/A	025-38358-000	N/A
2A	1 Single Point CB	N/A	N/A	N/A	N/A	N/A	024-31844-000	N/A	N/A
	1 Single Point NFDS	N/A	N/A	N/A	N/A	024-31888-000	N/A	N/A	024-31888-000
2B	1 SP Oper. Mech. (NFDS&CB)	N/A	N/A	N/A	N/A	024-31878-000	024-31878-000	N/A	024-31878-000
2C	1 Single Point Lug Kit	N/A	N/A	N/A	N/A	025-34479-000	025-34479-000	N/A	025-34479-000
2J	1 Ground Lug	N/A	N/A	N/A	025-34455-000	025-34089-000	025-34088-000	025-34455-000	025-34089-000
4	2 Transformer (4T & 5T)	025-27911-000	025-27911-000	025-27911-000	025-27911-000	025-27911-000	025-27911-000	025-27911-000	025-27911-000
	3 Terminal Block (System 1)	025-38358-000	N/A	N/A	N/A	N/A	N/A	N/A	N/A
	3 Terminal Block (System 2)	025-38358-000	N/A	N/A	N/A	N/A	N/A	N/A	N/A
4A	1 Circuit Breaker (System 1)	N/A	N/A	024-31841-000	N/A	N/A	N/A	024-31841-000	024-31841-000
	1 Circuit Breaker (System 2)	N/A	N/A	024-31839-000	N/A	N/A	N/A	024-31839-000	024-31839-000
	1 NF Disconnect Switch (System 1)	N/A	024-31888-000	N/A	N/A	N/A	N/A	N/A	N/A
	1 NF Disconnect Switch (System 2)	N/A	024-31888-000	N/A	N/A	N/A	N/A	N/A	N/A
4B	2 MP Oper. Mech. (NFDS&CB)	N/A	024-31878-000	024-31878-000	N/A	N/A	N/A	024-31878-000	024-31878-000
4C	1 Lug Kit (System 1)	N/A	025-34479-000	025-34478-000	N/A	N/A	N/A	025-34478-000	025-34478-000
	1 Lug Kit (System 2)	N/A	025-34479-000	025-34477-000	N/A	N/A	N/A	025-34477-000	025-34477-000
4J	1 Ground Lug (System 1)	025-34455-000	025-34089-000	025-34088-000	N/A	N/A	N/A	025-34088-000	025-34088-000
	1 Ground Lug (System 2)	025-34455-000	025-34089-000	025-34455-000	N/A	N/A	N/A	025-34455-000	025-34455-000
5	1 Transformer (3T)	025-18452-000	025-18452-000	025-18452-000	025-18452-000	025-18452-000	025-18452-000	025-18452-000	025-18452-000
5A	4 Surge Suppressor	031-02100-000	031-02100-000	031-02100-000	031-02100-000	031-02100-000	031-02100-000	031-02100-000	031-02100-000
5B ^S	4 Fan Contactor	024-34302-000	024-34302-000	024-34302-000	024-34302-000	024-34302-000	024-34302-000	024-34302-000	024-34302-000
5F ^S	4 Fan Overload	024-33169-000	024-33169-000	024-33169-000	024-33169-000	024-33169-000	024-33169-000	024-33169-000	024-33169-000
6	1 Bridge Rectifier	031-02201-000	031-02201-000	031-02201-000	031-02201-000	031-02201-000	031-02201-000	031-02201-000	031-02201-000
	2 Relay	024-31635-000	024-31635-000	024-31635-000	024-31635-000	024-31635-000	024-31635-000	024-31635-000	024-31635-000
6A	2	024-33177-000	024-33177-000	024-33177-000	024-33177-000	024-33177-000	024-33177-000	024-33177-000	024-33177-000
6B	2 Surge Suppressor	031-00808-000	031-00808-000	031-00808-000	031-00808-000	031-00808-000	031-00808-000	031-00808-000	031-00808-000
7	1 Remote Current Reset	031-00814-000	031-00814-000	031-00814-000	031-00814-000	031-00814-000	031-00814-000	031-00814-000	031-00814-000
8A ^S	1 Micro Board	031-02050-001	031-02050-001	031-02050-001	031-02050-001	031-02050-001	031-02050-001	031-02050-001	031-02050-001
8B ^S	1 EPROM	031-02049-001	031-02049-001	031-02049-001	031-02049-001	031-02049-001	031-02049-001	031-02049-001	031-02049-001
10A	1 Fuse Holder	025-34484-000	025-34484-000	025-34484-000	025-34484-000	025-34484-000	025-34484-000	025-34484-000	025-34484-000
10B	1 Fuse	025-38360-000	025-38360-000	025-38360-000	025-38360-000	025-38360-000	025-38360-000	025-38360-000	025-38360-000

CONTROL PANEL AND POWER PANEL (CONT'D)

TABLE 7 (CONT'D) – CONTROL PANEL AND POWER PANEL COMPONENTS - YCAL0042-46 (SEE FIGS. 6-11, PAGES 22-28)

Item Qty	Description	Multi-Point Sep Sys Term Blocks 371-04149-131	Multi-Point Sep Sys NF Disc. Sws. 371-04149-232	Multi-Point Sep Sys Circuit Brkrs 371-04149-332	Single Point Terminal Block 371-04149-431	Single Point Non-Fused Disc. Sw. 371-04149-531	Single Point Circuit Breaker 371-04149-631	Single Point TB w/ Sep Sys CBs 371-04149-732	Single Point NF Disc Sw w/ Sep Sys CBs 371-04149-832
1A	2 Compressor Contactor (System 1)	024-31818-000	024-31818-000	024-31818-000	024-31818-000	024-31818-000	024-31818-000	024-31818-000	024-31818-000
	2 Compressor Contactor (System 2)	024-31818-000	024-31818-000	024-31818-000	024-31818-000	024-31818-000	024-31818-000	024-31818-000	024-31818-000
1C	4 Surge Suppressor	031-02202-000	031-02202-000	031-02202-000	031-02202-000	031-02202-000	031-02202-000	031-02202-000	031-02202-000
1E	4 Ground Lug	025-34455-000	025-34455-000	025-34455-000	025-34455-000	025-34455-000	025-34455-000	025-34455-000	025-34455-000
2	1 Transformer (115/24V)	025-30889-000	025-30889-000	025-30889-000	025-30889-000	025-30889-000	025-30889-000	025-30889-000	025-30889-000
	3 Single Point TB	N/A	N/A	N/A	025-38358-000	N/A	N/A	025-38358-000	N/A
2A	1 Single Point CB	N/A	N/A	N/A	N/A	N/A	024-31843-000	N/A	N/A
	1 Single Point NFDS	N/A	N/A	N/A	N/A	024-31888-000	N/A	N/A	024-31888-000
2B	1 SP Oper. Mech. (NFDS&CB)	N/A	N/A	N/A	N/A	024-31878-000	024-31878-000	N/A	024-31878-000
2C	1 Single Point Lug Kit	N/A	N/A	N/A	N/A	025-34479-000	025-34478-000	N/A	025-34479-000
2J	1 Ground Lug	N/A	N/A	N/A	025-34455-000	025-34089-000	025-34088-000	025-34455-000	025-34089-000
4	2 Transformer (4T & 5T)	025-27911-000	025-27911-000	025-27911-000	025-27911-000	025-27911-000	025-27911-000	025-27911-000	025-27911-000
	3 Terminal Block (System 1)	025-38358-000	N/A	N/A	N/A	N/A	N/A	N/A	N/A
	3 Terminal Block (System 2)	025-38358-000	N/A	N/A	N/A	N/A	N/A	N/A	N/A
4A	1 Circuit Breaker (System 1)	N/A	N/A	024-31839-000	N/A	N/A	N/A	024-31839-000	024-31839-000
	1 Circuit Breaker (System 2)	N/A	N/A	024-31839-000	N/A	N/A	N/A	024-31839-000	024-31839-000
	1 NF Disconnect Switch (System 1)	N/A	024-31888-000	N/A	N/A	N/A	N/A	N/A	N/A
	1 NF Disconnect Switch (System 2)	N/A	024-31888-000	N/A	N/A	N/A	N/A	N/A	N/A
4B	2 MP Oper. Mech. (NFDS&CB)	N/A	024-31878-000	024-31878-000	N/A	N/A	N/A	024-31878-000	024-31878-000
4C	1 Lug Kit	N/A	025-34479-000	025-34477-000	N/A	N/A	N/A	025-34477-000	025-34477-000
4J	1 Ground Lug	025-34455-000	025-34089-000	025-34455-000	N/A	N/A	N/A	025-34455-000	025-34455-000
5	1 Transformer (3T)	025-18452-000	025-18452-000	025-18452-000	025-18452-000	025-18452-000	025-18452-000	025-18452-000	025-18452-000
5A	4 Surge Suppressor	031-02100-000	031-02100-000	031-02100-000	031-02100-000	031-02100-000	031-02100-000	031-02100-000	031-02100-000
5B ^S	4 Fan Contactor	024-34302-000	024-34302-000	024-34302-000	024-34302-000	024-34302-000	024-34302-000	024-34302-000	024-34302-000
5F ^S	4 Fan Overload	024-33169-000	024-33169-000	024-33169-000	024-33169-000	024-33169-000	024-33169-000	024-33169-000	024-33169-000
6	1 Bridge Rectifier	031-02201-000	031-02201-000	031-02201-000	031-02201-000	031-02201-000	031-02201-000	031-02201-000	031-02201-000
	2 Relay	024-31635-000	024-31635-000	024-31635-000	024-31635-000	024-31635-000	024-31635-000	024-31635-000	024-31635-000
6A	2 Relay	024-33177-000	024-33177-000	024-33177-000	024-33177-000	024-33177-000	024-33177-000	024-33177-000	024-33177-000
6B	2 Surge Suppressor	031-00808-000	031-00808-000	031-00808-000	031-00808-000	031-00808-000	031-00808-000	031-00808-000	031-00808-000
7	1 Remote Current Reset	031-00814-000	031-00814-000	031-00814-000	031-00814-000	031-00814-000	031-00814-000	031-00814-000	031-00814-000
8A ^S	1 Micro Board	031-02050-001	031-02050-001	031-02050-001	031-02050-001	031-02050-001	031-02050-001	031-02050-001	031-02050-001
8B ^S	1 EPROM	031-02049-001	031-02049-001	031-02049-001	031-02049-001	031-02049-001	031-02049-001	031-02049-001	031-02049-001
10A	1 Fuse Holder	025-34484-000	025-34484-000	025-34484-000	025-34484-000	025-34484-000	025-34484-000	025-34484-000	025-34484-000
10B	1 Fuse	025-38360-000	025-38360-000	025-38360-000	025-38360-000	025-38360-000	025-38360-000	025-38360-000	025-38360-000

Control & Power Panel

CONTROL PANEL AND POWER PANEL (CONT'D)

TABLE 7 (CONT'D) – CONTROL PANEL AND POWER PANEL COMPONENTS - YCAL0042-58 (SEE FIGS. 6-11, PAGES 22-28)

Item	Qty	Description	Multi-Point Sep Sys Term Blocks 371-04149-131	Multi-Point Sep Sys NF Disc. Sws. 371-04149-232	Multi-Point Sep Sys Circuit Brkrs 371-04149-332	Single Point Terminal Block 371-04149-431	Single Point Non-Fused Disc. Sw. 371-04149-531	Single Point Circuit Breaker 371-04149-631	Single Point TB w/ Sep Sys CBs 371-04149-732	Single Point NF Disc Sw w/ Sep Sys CBs 371-04149-832
1A	2	Compressor Contactor (System 1)	024-31817-000	024-31817-000	024-31817-000	024-31817-000	024-31817-000	024-31817-000	024-31817-000	024-31817-000
	2	Compressor Contactor (System 2)	024-31817-000	024-31817-000	024-31817-000	024-31817-000	024-31817-000	024-31817-000	024-31817-000	024-31817-000
1C	4	Surge Suppressor	031-02202-000	031-02202-000	031-02202-000	031-02202-000	031-02202-000	031-02202-000	031-02202-000	031-02202-000
1E	4	Ground Lug	025-34455-000	025-34455-000	025-34455-000	025-34455-000	025-34455-000	025-34455-000	025-34455-000	025-34455-000
2	1	Transformer (115/24V)	025-30889-000	025-30889-000	025-30889-000	025-30889-000	025-30889-000	025-30889-000	025-30889-000	025-30889-000
	3	Single Point TB	N/A	N/A	N/A	025-38358-000	N/A	N/A	025-38358-000	N/A
2A	1	Single Point CB	N/A	N/A	N/A	N/A	N/A	024-31841-000	N/A	N/A
	1	Single Point NFDS	N/A	N/A	N/A	024-31888-000	024-31888-000	N/A	N/A	024-31888-000
2B	1	SP Oper. Mech. (NFDS&CB)	N/A	N/A	N/A	024-31878-000	024-31878-000	024-31878-000	N/A	024-31878-000
2C	1	Single Point Lug Kit	N/A	N/A	N/A	N/A	025-34478-000	025-34478-000	N/A	025-34478-000
2J	1	Ground Lug	N/A	N/A	N/A	025-34455-000	025-34088-000	025-34088-000	025-34455-000	025-34088-000
4	2	Transformer (4T & 5T)	025-27911-000	025-27911-000	025-27911-000	025-27911-000	025-27911-000	025-27911-000	025-27911-000	025-27911-000
	3	Terminal Block (System 1)	025-38358-000	N/A	N/A	N/A	N/A	N/A	N/A	N/A
	3	Terminal Block (System 2)	025-38358-000	N/A	N/A	N/A	N/A	N/A	N/A	N/A
4A	1	Circuit Breaker (System 1)	N/A	N/A	024-31838-000	N/A	N/A	N/A	024-31838-000	024-31838-000
	1	Circuit Breaker (System 2)	N/A	N/A	024-31837-000	N/A	N/A	N/A	024-31837-000	024-31837-000
	1	NF Disconnect Switch (System 1)	N/A	024-31888-000	N/A	N/A	N/A	N/A	N/A	N/A
	1	NF Disconnect Switch (System 2)	N/A	024-31888-000	N/A	N/A	N/A	N/A	N/A	N/A
4B	2	MP Oper. Mech. (NFDS&CB)	N/A	024-31878-000	024-31878-000	N/A	N/A	N/A	024-31878-000	024-31878-000
4C	2	Lug Kit	N/A	025-34477-000	025-34477-000	N/A	N/A	N/A	025-34477-000	025-34477-000
4J	2	Ground Lug	025-34455-000	025-34455-000	025-34455-000	N/A	N/A	N/A	025-34455-000	025-34455-000
5	1	Transformer (3T)	025-18452-000	025-18452-000	025-18452-000	025-18452-000	025-18452-000	025-18452-000	025-18452-000	025-18452-000
5A	4	Surge Suppressor	031-02100-000	031-02100-000	031-02100-000	031-02100-000	031-02100-000	031-02100-000	031-02100-000	031-02100-000
5B ^S	4	Fan Contactor	024-34302-000	024-34302-000	024-34302-000	024-34302-000	024-34302-000	024-34302-000	024-34302-000	024-34302-000
5F ^S	4	Fan Overload	024-33168-000	024-33168-000	024-33168-000	024-33168-000	024-33168-000	024-33168-000	024-33168-000	024-33168-000
6	1	Bridge Rectifier	031-02201-000	031-02201-000	031-02201-000	031-02201-000	031-02201-000	031-02201-000	031-02201-000	031-02201-000
6A	2	Relay	024-31635-000	024-31635-000	024-31635-000	024-31635-000	024-31635-000	024-31635-000	024-31635-000	024-31635-000
6B	2	Surge Suppressor	024-33177-000	024-33177-000	024-33177-000	024-33177-000	024-33177-000	024-33177-000	024-33177-000	024-33177-000
7	1	Remote Current Reset	031-00808-000	031-00808-000	031-00808-000	031-00808-000	031-00808-000	031-00808-000	031-00808-000	031-00808-000
8A ^S	1	Micro Board	031-02050-001	031-02050-001	031-02050-001	031-02050-001	031-02050-001	031-02050-001	031-02050-001	031-02050-001
8B ^S	1	EPROM	031-02049-001	031-02049-001	031-02049-001	031-02049-001	031-02049-001	031-02049-001	031-02049-001	031-02049-001
10A	1	Fuse Holder	025-34484-000	025-34484-000	025-34484-000	025-34484-000	025-34484-000	025-34484-000	025-34484-000	025-34484-000
10B	1	Fuse	025-38360-000	025-38360-000	025-38360-000	025-38360-000	025-38360-000	025-38360-000	025-38360-000	025-38360-000

CONTROL PANEL AND POWER PANEL (CONT'D)

TABLE 7 (CONT'D) – CONTROL PANEL AND POWER PANEL COMPONENTS - YCAL0044-17 & YCAL0044-28 (SEE FIGS. 6-11, PAGES 22-28)

Item	Qty	Description	Multi-Point Sep Sys Term Blocks 371-04149-123	Multi-Point Sep Sys NF Disc. Sws. 371-04149-223	Multi-Point Sep Sys Circuit Brkrs 371-04149-323	Single Point Terminal Block 371-04149-422	Single Point Non-Fused Disc. Sw. 371-04149-521	Single Point Circuit Breaker 371-04149-623	Single Point TB w/ Sep Sys CBs 371-04149-723	Single Point NF Disc Sw w/ Sep Sys CBs 371-04149-823
1A	2	Compressor Contactor (System 1)	024-31107-000	024-31107-000	024-31107-000	024-31107-000	024-31107-000	024-31107-000	024-31107-000	024-31107-000
	2	Compressor Contactor (System 2)	024-31107-000	024-31107-000	024-31107-000	024-31107-000	024-31107-000	024-31107-000	024-31107-000	024-31107-000
1C	4	Surge Suppressor	031-02203-000	031-02203-000	031-02203-000	031-02203-000	031-02203-000	031-02203-000	031-02203-000	031-02203-000
1E	4	Ground Lug	025-34455-000	025-34455-000	025-34455-000	025-34455-000	025-34455-000	025-34455-000	025-34455-000	025-34455-000
2	1	Transformer (115/24V)	025-30889-000	025-30889-000	025-30889-000	025-30889-000	025-30889-000	025-30889-000	025-30889-000	025-30889-000
	3	Single Point TB	N/A	N/A	N/A	025-38364-000	N/A	N/A	025-38364-000	N/A
2A	1	Single Point CB	N/A	N/A	N/A	N/A	N/A	024-31819-000	N/A	N/A
	1	Single Point NFDS	N/A	N/A	N/A	N/A	024-30963-000	N/A	N/A	024-30963-000
2B	1	SP Oper. Mech. (NFDS&CB)	N/A	N/A	N/A	N/A	024-31878-000	024-31878-000	N/A	024-31878-000
2C	1	Single Point Lug Kit	N/A	N/A	N/A	N/A	025-34418-000	025-34480-000	N/A	025-34418-000
2J	1	Ground Lug	N/A	N/A	N/A	025-34089-000	025-34085-000	025-34089-000	025-34089-000	025-34085-000
4	2	Transformer (4T & 5T)	025-27911-000	025-27911-000	025-27911-000	025-27911-000	025-27911-000	025-27911-000	025-27911-000	025-27911-000
	3	Terminal Block (System 1)	025-38358-000	N/A	N/A	N/A	N/A	N/A	N/A	N/A
	3	Terminal Block (System 2)	025-38358-000	N/A	N/A	N/A	N/A	N/A	N/A	N/A
4A	1	Circuit Breaker (System 1)	N/A	N/A	024-31844-000	N/A	N/A	N/A	024-31844-000	024-31844-000
	1	Circuit Breaker (System 2)	N/A	N/A	024-31844-000	N/A	N/A	N/A	024-31844-000	024-31844-000
	1	NF Disconnect Switch (System 1)	N/A	024-31888-000	N/A	N/A	N/A	N/A	N/A	N/A
	1	NF Disconnect Switch (System 2)	N/A	024-31888-000	N/A	N/A	N/A	N/A	N/A	N/A
4B	2	MP Oper. Mech. (NFDS&CB)	N/A	024-31878-000	024-31878-000	N/A	N/A	N/A	024-31878-000	024-31878-000
4C	2	Lug Kit	N/A	025-34479-000	025-34479-000	N/A	N/A	N/A	025-34479-000	025-34479-000
4J	2	Ground Lug	025-34455-000	025-34089-000	025-34088-000	N/A	N/A	N/A	025-34088-000	025-34088-000
5	1	Transformer (3T)	025-18452-000	025-18452-000	025-18452-000	025-18452-000	025-18452-000	025-18452-000	025-18452-000	025-18452-000
5A	4	Surge Suppressor	031-02100-000	031-02100-000	031-02100-000	031-02100-000	031-02100-000	031-02100-000	031-02100-000	031-02100-000
5B^s	4	Fan Contactor	024-34300-000	024-34300-000	024-34300-000	024-34300-000	024-34300-000	024-34300-000	024-34300-000	024-34300-000
5F^s	4	Fan Overload	024-33170-000	024-33170-000	024-33170-000	024-33170-000	024-33170-000	024-33170-000	024-33170-000	024-33170-000
6	1	Bridge Rectifier	031-02201-000	031-02201-000	031-02201-000	031-02201-000	031-02201-000	031-02201-000	031-02201-000	031-02201-000
	2	Relay	024-31635-000	024-31635-000	024-31635-000	024-31635-000	024-31635-000	024-31635-000	024-31635-000	024-31635-000
6A	2	Relay	024-33177-000	024-33177-000	024-33177-000	024-33177-000	024-33177-000	024-33177-000	024-33177-000	024-33177-000
6B	2	Surge Suppressor	031-00808-000	031-00808-000	031-00808-000	031-00808-000	031-00808-000	031-00808-000	031-00808-000	031-00808-000
7	1	Remote Current Reset	031-00814-000	031-00814-000	031-00814-000	031-00814-000	031-00814-000	031-00814-000	031-00814-000	031-00814-000
8A^s	1	Micro Board	031-02050-001	031-02050-001	031-02050-001	031-02050-001	031-02050-001	031-02050-001	031-02050-001	031-02050-001
8B^s	1	EPROM	031-02049-001	031-02049-001	031-02049-001	031-02049-001	031-02049-001	031-02049-001	031-02049-001	031-02049-001
10A	1	Fuse Holder	025-34484-000	025-34484-000	025-34484-000	025-34484-000	025-34484-000	025-34484-000	025-34484-000	025-34484-000
10B	1	Fuse	025-38360-000	025-38360-000	025-38360-000	025-38360-000	025-38360-000	025-38360-000	025-38360-000	025-38360-000



CONTROL PANEL AND POWER PANEL (CONT'D)

TABLE 7 (CONT'D) – CONTROL PANEL AND POWER PANEL COMPONENTS - YCAL0044-40 (SEE FIGS. 6-11, PAGES 22-28)

Item	Qty	Description	Multi-Point Sep Sys Term Blocks 371-04149-131	Multi-Point Sep Sys NF Disc. Sws. 371-04149-233	Multi-Point Sep Sys Circuit Brkrs 371-04149-333	Single Point Terminal Block 371-04149-433	Single Point Non-Fused Disc. Sw. 371-04149-531	Single Point Circuit Breaker 371-04149-631	Single Point TB w/ Sep Sys CBs 371-04149-733	Single Point NF Disc Sw w/ Sep Sys CBs 371-04149-833
1A	2	Compressor Contactor (System 1)	024-31818-000	024-31818-000	024-31818-000	024-31818-000	024-31818-000	024-31818-000	024-31818-000	024-31818-000
	2	Compressor Contactor (System 2)	024-31818-000	024-31818-000	024-31818-000	024-31818-000	024-31818-000	024-31818-000	024-31818-000	024-31818-000
1C	4	Surge Suppressor	031-02202-000	031-02202-000	031-02202-000	031-02202-000	031-02202-000	031-02202-000	031-02202-000	031-02202-000
1E	4	Ground Lug	025-34455-000	025-34455-000	025-34455-000	025-34455-000	025-34455-000	025-34455-000	025-34455-000	025-34455-000
2	1	Transformer (115/24V)	025-30889-000	025-30889-000	025-30889-000	025-30889-000	025-30889-000	025-30889-000	025-30889-000	025-30889-000
	3	Single Point TB	N/A	N/A	N/A	025-38363-000	N/A	N/A	025-38363-000	N/A
2A	1	Single Point CB	N/A	N/A	N/A	N/A	N/A	024-31844-000	N/A	N/A
	1	Single Point NFDS	N/A	N/A	N/A	N/A	024-31888-000	N/A	N/A	024-31888-000
2B	1	SP Oper. Mech. (NFDS&CB)	N/A	N/A	N/A	N/A	024-31878-000	024-31878-000	N/A	024-31878-000
2C	1	Single Point Lug Kit	N/A	N/A	N/A	N/A	025-34479-000	025-34479-000	N/A	025-34479-000
2J	1	Ground Lug	N/A	N/A	N/A	025-34088-000	025-34088-000	025-34088-000	025-34088-000	025-34088-000
4	2	Transformer (4T & 5T)	025-27911-000	025-27911-000	025-27911-000	025-27911-000	025-27911-000	025-27911-000	025-27911-000	025-27911-000
	3	Terminal Block (System 1)	025-38358-000	N/A	N/A	N/A	N/A	N/A	N/A	N/A
	3	Terminal Block (System 2)	025-38358-000	N/A	N/A	N/A	N/A	N/A	N/A	N/A
4A	1	Circuit Breaker (System 1)	N/A	N/A	024-31841-000	N/A	N/A	N/A	024-31838-000	024-31838-000
	1	Circuit Breaker (System 2)	N/A	N/A	024-31841-000	N/A	N/A	N/A	024-31837-000	024-31837-000
	1	NF Disconnect Switch (System 1)	N/A	N/A	024-31888-000	N/A	N/A	N/A	N/A	N/A
	1	NF Disconnect Switch (System 2)	N/A	N/A	024-31888-000	N/A	N/A	N/A	N/A	N/A
4B	2	MP Oper. Mech. (NFDS&CB)	N/A	N/A	024-31878-000	N/A	N/A	N/A	024-31878-000	024-31878-000
4C	2	Lug Kit	N/A	N/A	025-34479-000	N/A	N/A	N/A	025-34477-000	025-34477-000
4J	2	Ground Lug	025-34455-000	025-34089-000	025-34088-000	N/A	N/A	N/A	025-34455-000	025-34455-000
5	1	Transformer (3T)	025-18452-000	025-18452-000	025-18452-000	025-18452-000	025-18452-000	025-18452-000	025-18452-000	025-18452-000
5A	4	Surge Suppressor	031-02100-000	031-02100-000	031-02100-000	031-02100-000	031-02100-000	031-02100-000	031-02100-000	031-02100-000
5B ^S	4	Fan Contactor	024-34302-000	024-34302-000	024-34302-000	024-34302-000	024-34302-000	024-34302-000	024-34302-000	024-34302-000
5F ^S	4	Fan Overload	024-33169-000	024-33169-000	024-33169-000	024-33169-000	024-33169-000	024-33169-000	024-33169-000	024-33169-000
6	1	Bridge Rectifier	031-02201-000	031-02201-000	031-02201-000	031-02201-000	031-02201-000	031-02201-000	031-02201-000	031-02201-000
	2	Relay	024-31635-000	024-31635-000	024-31635-000	024-31635-000	024-31635-000	024-31635-000	024-31635-000	024-31635-000
6A	2	Relay	024-33177-000	024-33177-000	024-33177-000	024-33177-000	024-33177-000	024-33177-000	024-33177-000	024-33177-000
6B	2	Surge Suppressor	031-00808-000	031-00808-000	031-00808-000	031-00808-000	031-00808-000	031-00808-000	031-00808-000	031-00808-000
7	1	Remote Current Reset	031-00814-000	031-00814-000	031-00814-000	031-00814-000	031-00814-000	031-00814-000	031-00814-000	031-00814-000
8A ^S	1	Micro Board	031-02050-001	031-02050-001	031-02050-001	031-02050-001	031-02050-001	031-02050-001	031-02050-001	031-02050-001
8B ^S	1	EPROM	031-02049-001	031-02049-001	031-02049-001	031-02049-001	031-02049-001	031-02049-001	031-02049-001	031-02049-001
10A	1	Fuse Holder	025-34484-000	025-34484-000	025-34484-000	025-34484-000	025-34484-000	025-34484-000	025-34484-000	025-34484-000
10B	1	Fuse	025-38360-000	025-38360-000	025-38360-000	025-38360-000	025-38360-000	025-38360-000	025-38360-000	025-38360-000

CONTROL PANEL AND POWER PANEL (CONT'D)

TABLE 7 (CONT'D) – CONTROL PANEL AND POWER PANEL COMPONENTS - YCAL0044-46 (SEE FIGS. 6-11, PAGES 22-28)

Item Qty	Description	Multi-Point Sep Sys Term Blocks 371-04149-131	Multi-Point Sep Sys NF Disc. Sws. 371-04149-231	Multi-Point Sep Sys Circuit Brks 371-04149-331	Single Point Terminal Block 371-04149-431	Single Point Non-Fused Disc. Sw. 371-04149-531	Single Point Circuit Breaker 371-04149-631	Single Point TB w/ Sep Sys CBs 371-04149-731	Single Point NF Disc Sw w/ Sep Sys CBs 371-04149-831
1A	Compressor Contactor (System 1)	024-31818-000	024-31818-000	024-31818-000	024-31818-000	024-31818-000	024-31818-000	024-31818-000	024-31818-000
2	Compressor Contactor (System 2)	024-31818-000	024-31818-000	024-31818-000	024-31818-000	024-31818-000	024-31818-000	024-31818-000	024-31818-000
1C	Surge Suppressor	031-02202-000	031-02202-000	031-02202-000	031-02202-000	031-02202-000	031-02202-000	031-02202-000	031-02202-000
1E	Ground Lug	025-34455-000	025-34455-000	025-34455-000	025-34455-000	025-34455-000	025-34455-000	025-34455-000	025-34455-000
2	Transformer (115/24V)	025-30889-000	025-30889-000	025-30889-000	025-30889-000	025-30889-000	025-30889-000	025-30889-000	025-30889-000
3	Single Point TB	N/A	N/A	N/A	025-38358-000	N/A	N/A	025-38358-000	N/A
2A	Single Point CB	N/A	N/A	N/A	N/A	N/A	024-31844-000	N/A	N/A
1	Single Point NFDS	N/A	N/A	N/A	N/A	024-31888-000	N/A	N/A	024-31888-000
2B	SP Oper. Mech. (NFDS&CB)	N/A	N/A	N/A	N/A	024-31878-000	024-31878-000	N/A	024-31878-000
2C	Single Point Lug Kit	N/A	N/A	N/A	N/A	025-34479-000	025-34478-000	N/A	025-34479-000
2J	Ground Lug	N/A	N/A	N/A	025-34455-000	025-34089-000	025-34088-000	025-34455-000	025-34089-000
4	Transformer (4T & 5T)	025-27911-000	025-27911-000	025-27911-000	025-27911-000	025-27911-000	025-27911-000	025-27911-000	025-27911-000
3	Terminal Block (System 1)	025-38358-000	N/A	N/A	N/A	N/A	N/A	N/A	N/A
3	Terminal Block (System 2)	025-38358-000	N/A	N/A	N/A	N/A	N/A	N/A	N/A
4A	Circuit Breaker (System 1)	N/A	N/A	024-31839-000	N/A	N/A	N/A	024-31839-000	024-31839-000
1	Circuit Breaker (System 2)	N/A	N/A	024-31839-000	N/A	N/A	N/A	024-31839-000	024-31839-000
1	NF Disconnect Switch (System 1)	N/A	024-31888-000	N/A	N/A	N/A	N/A	N/A	N/A
1	NF Disconnect Switch (System 2)	N/A	024-31888-000	N/A	N/A	N/A	N/A	N/A	N/A
4B	MP Oper. Mech. (NFDS&CB)	N/A	024-31878-000	024-31878-000	N/A	N/A	N/A	024-31878-000	024-31878-000
4C	Lug Kit	N/A	025-34479-000	025-34477-000	N/A	N/A	N/A	025-34477-000	025-34477-000
4J	Ground Lug	025-34455-000	025-34089-000	025-34455-000	N/A	N/A	N/A	025-34455-000	025-34455-000
5	Transformer (3T)	025-18452-000	025-18452-000	025-18452-000	025-18452-000	025-18452-000	025-18452-000	025-18452-000	025-18452-000
5A	Surge Suppressor	031-02100-000	031-02100-000	031-02100-000	031-02100-000	031-02100-000	031-02100-000	031-02100-000	031-02100-000
5B ^S	Fan Contactor	024-34302-000	024-34302-000	024-34302-000	024-34302-000	024-34302-000	024-34302-000	024-34302-000	024-34302-000
5F ^S	Fan Overload	024-33169-000	024-33169-000	024-33169-000	024-33169-000	024-33169-000	024-33169-000	024-33169-000	024-33169-000
6	Bridge Rectifier	031-02201-000	031-02201-000	031-02201-000	031-02201-000	031-02201-000	031-02201-000	031-02201-000	031-02201-000
2	Relay	024-31635-000	024-31635-000	024-31635-000	024-31635-000	024-31635-000	024-31635-000	024-31635-000	024-31635-000
6A	Relay	024-33177-000	024-33177-000	024-33177-000	024-33177-000	024-33177-000	024-33177-000	024-33177-000	024-33177-000
6B	Surge Suppressor	031-00808-000	031-00808-000	031-00808-000	031-00808-000	031-00808-000	031-00808-000	031-00808-000	031-00808-000
7	Remote Current Reset	031-00814-000	031-00814-000	031-00814-000	031-00814-000	031-00814-000	031-00814-000	031-00814-000	031-00814-000
8A ^S	Micro Board	031-02050-001	031-02050-001	031-02050-001	031-02050-001	031-02050-001	031-02050-001	031-02050-001	031-02050-001
8B ^S	EPROM	031-02049-001	031-02049-001	031-02049-001	031-02049-001	031-02049-001	031-02049-001	031-02049-001	031-02049-001
10A	Fuse Holder	025-34484-000	025-34484-000	025-34484-000	025-34484-000	025-34484-000	025-34484-000	025-34484-000	025-34484-000
10B	Fuse	025-38360-000	025-38360-000	025-38360-000	025-38360-000	025-38360-000	025-38360-000	025-38360-000	025-38360-000

Control & Power Panel

CONTROL PANEL AND POWER PANEL (CONT'D)

TABLE 7 (CONT'D) – CONTROL PANEL AND POWER PANEL COMPONENTS - YCAL0044-58 (SEE FIGS. 6-11, PAGES 22-28)

Item	Qty	Description	Multi-Point Sep Sys Term Blocks 371-04149-151	Multi-Point Sep Sys NF Disc. Sws. 371-04149-251	Multi-Point Sep Sys Circuit Brkrs 371-04149-353	Single Point Terminal Block 371-04149-451	Single Point Non-Fused Disc. Sw. 371-04149-551	Single Point Circuit Breaker 371-04149-553	Single Point TB w/ Sep Sys CBs 371-04149-753	Single Point NF Disc Sw w/ Sep Sys CBs 371-04149-853
1A	2	Compressor Contactor (System 1)	024-31817-000	024-31817-000	024-31817-000	024-31817-000	024-31817-000	024-31817-000	024-31817-000	024-31817-000
	2	Compressor Contactor (System 2)	024-31817-000	024-31817-000	024-31817-000	024-31817-000	024-31817-000	024-31817-000	024-31817-000	024-31817-000
1C	4	Surge Suppressor	031-02202-000	031-02202-000	031-02202-000	031-02202-000	031-02202-000	031-02202-000	031-02202-000	031-02202-000
1E	4	Ground Lug	025-34455-000	025-34455-000	025-34455-000	025-34455-000	025-34455-000	025-34455-000	025-34455-000	025-34455-000
2	1	Transformer (115/24V)	025-30889-000	025-30889-000	025-30889-000	025-30889-000	025-30889-000	025-30889-000	025-30889-000	025-30889-000
	3	Single Point TB	N/A	N/A	N/A	025-38358-000	N/A	N/A	025-38358-000	N/A
2A	1	Single Point CB	N/A	N/A	N/A	N/A	N/A	024-31842-000	N/A	N/A
	1	Single Point NFDS	N/A	N/A	N/A	N/A	024-31888-000	N/A	N/A	024-31888-000
2B	1	SP Oper. Mech. (NFDS&CB)	N/A	N/A	N/A	N/A	024-31878-000	024-31878-000	N/A	024-31878-000
2C	1	Single Point Lug Kit	N/A	N/A	N/A	N/A	025-34479-000	025-34478-000	N/A	025-34479-000
2J	1	Ground Lug	N/A	N/A	N/A	025-34455-000	025-34089-000	025-34088-000	025-34455-000	025-34089-000
4	2	Transformer (4T & 5T)	025-27911-000	025-27911-000	025-27911-000	025-27911-000	025-27911-000	025-27911-000	025-27911-000	025-27911-000
	3	Terminal Block (System 1)	025-38358-000	N/A	N/A	N/A	N/A	N/A	N/A	N/A
	3	Terminal Block (System 2)	025-38358-000	N/A	N/A	N/A	N/A	N/A	N/A	N/A
4A	1	Circuit Breaker (System 1)	N/A	N/A	024-31838-000	N/A	N/A	N/A	024-31838-000	024-31838-000
	1	Circuit Breaker (System 2)	N/A	N/A	024-31838-000	N/A	N/A	N/A	024-31838-000	024-31838-000
	1	NF Disconnect Switch (System 1)	N/A	024-31888-000	N/A	N/A	N/A	N/A	N/A	N/A
	1	NF Disconnect Switch (System 2)	N/A	024-31888-000	N/A	N/A	N/A	N/A	N/A	N/A
4B	2	MP Oper. Mech. (NFDS&CB)	N/A	024-31878-000	024-31878-000	N/A	N/A	N/A	024-31878-000	024-31878-000
4C	2	Lug Kit	N/A	025-34479-000	025-34477-000	N/A	N/A	N/A	025-34477-000	025-34477-000
4J	2	Ground Lug	025-34455-000	025-34089-000	025-34455-000	N/A	N/A	N/A	025-34455-000	025-34455-000
5	1	Transformer (3T)	025-18452-000	025-18452-000	025-18452-000	025-18452-000	025-18452-000	025-18452-000	025-18452-000	025-18452-000
5A	4	Surge Suppressor	031-02100-000	031-02100-000	031-02100-000	031-02100-000	031-02100-000	031-02100-000	031-02100-000	031-02100-000
5B^s	4	Fan Contactor	024-34302-000	024-34302-000	024-34302-000	024-34302-000	024-34302-000	024-34302-000	024-34302-000	024-34302-000
5F^s	4	Fan Overload	024-33168-000	024-33168-000	024-33168-000	024-33168-000	024-33168-000	024-33168-000	024-33168-000	024-33168-000
6	1	Bridge Rectifier	031-02201-000	031-02201-000	031-02201-000	031-02201-000	031-02201-000	031-02201-000	031-02201-000	031-02201-000
	2	Relay	024-31635-000	024-31635-000	024-31635-000	024-31635-000	024-31635-000	024-31635-000	024-31635-000	024-31635-000
6A	2	Relay	024-33177-000	024-33177-000	024-33177-000	024-33177-000	024-33177-000	024-33177-000	024-33177-000	024-33177-000
6B	2	Surge Suppressor	031-00808-000	031-00808-000	031-00808-000	031-00808-000	031-00808-000	031-00808-000	031-00808-000	031-00808-000
7	1	Remote Current Reset	031-00814-000	031-00814-000	031-00814-000	031-00814-000	031-00814-000	031-00814-000	031-00814-000	031-00814-000
8A^s	1	Micro Board	031-02050-001	031-02050-001	031-02050-001	031-02050-001	031-02050-001	031-02050-001	031-02050-001	031-02050-001
8B^s	1	EPROM	031-02049-001	031-02049-001	031-02049-001	031-02049-001	031-02049-001	031-02049-001	031-02049-001	031-02049-001
10A	1	Fuse Holder	025-34484-000	025-34484-000	025-34484-000	025-34484-000	025-34484-000	025-34484-000	025-34484-000	025-34484-000
10B	1	Fuse	025-38360-000	025-38360-000	025-38360-000	025-38360-000	025-38360-000	025-38360-000	025-38360-000	025-38360-000

CONTROL PANEL AND POWER PANEL (CONT'D)

TABLE 7 (CONT'D) – CONTROL PANEL AND POWER PANEL COMPONENTS - YCAL0050-17 & YCAL0050-28 (SEE FIGS. 6-11, PAGES 22-28)

Item	Qty	Description	Multi-Point Sep Sys Term Blocks 371-04149-124	Multi-Point Sep Sys NF Disc. Sws. 371-04149-224	Multi-Point Sep Sys Circuit Brkrs 371-04149-324	Single Point Terminal Block 371-04149-424	Single Point Non-Fused Disc. Sw. 371-04149-524	Single Point Circuit Breaker 371-04149-624	Single Point TB w/ Sep Sys CBs 371-04149-724	Single Point NF Disc Sw w/ Sep Sys CBs 371-04149-824
1A	2	Compressor Contactor (System 1)	024-31640-000	024-31640-000	024-31640-000	024-31640-000	024-31640-000	024-31640-000	024-31640-000	024-31640-000
	2	Compressor Contactor (System 2)	024-31107-000	024-31107-000	024-31107-000	024-31107-000	024-31107-000	024-31107-000	024-31107-000	024-31107-000
1C	4	Surge Suppressor	031-02203-000	031-02203-000	031-02203-000	031-02203-000	031-02203-000	031-02203-000	031-02203-000	031-02203-000
1E	4	Ground Lug	025-34455-000	025-34455-000	025-34455-000	025-34455-000	025-34455-000	025-34455-000	025-34455-000	025-34455-000
2	1	Transformer (115/24V)	025-30889-000	025-30889-000	025-30889-000	025-30889-000	025-30889-000	025-30889-000	025-30889-000	025-30889-000
	3	Single Point TB	N/A	N/A	N/A	025-38364-000	N/A	N/A	025-38364-000	N/A
2A	1	Single Point CB	N/A	N/A	N/A	N/A	N/A	025-34419-000	N/A	N/A
	1	Single Point NFDS	N/A	N/A	N/A	N/A	024-30963-000	N/A	N/A	024-30963-000
2B	1	SP Oper. Mech. (NFDS&CB)	N/A	N/A	N/A	N/A	024-31878-000	024-31878-000	N/A	024-31878-000
2C	1	Single Point Lug Kit	N/A	N/A	N/A	N/A	025-34418-000	025-34418-000	N/A	025-34418-000
2J	1	Ground Lug	N/A	N/A	N/A	025-34089-000	025-34085-000	025-34085-000	025-34089-000	025-34085-000
4	2	Transformer (4T & 5T)	025-27911-000	025-27911-000	025-27911-000	025-27911-000	025-27911-000	025-27911-000	025-27911-000	025-27911-000
	3	Terminal Block (System 1)	025-38363-000	N/A	N/A	N/A	N/A	N/A	N/A	N/A
	3	Terminal Block (System 2)	025-38358-000	N/A	N/A	N/A	N/A	N/A	N/A	N/A
4A	1	Circuit Breaker (System 1)	N/A	N/A	024-31649-000	N/A	N/A	N/A	024-31649-000	024-31649-000
	1	Circuit Breaker (System 2)	N/A	N/A	024-31844-000	N/A	N/A	N/A	024-31844-000	024-31844-000
	1	NF Disconnect Switch (System 1)	N/A	024-31888-000	N/A	N/A	N/A	N/A	N/A	N/A
	1	NF Disconnect Switch (System 2)	N/A	024-31888-000	N/A	N/A	N/A	N/A	N/A	N/A
4B	2	MPO Oper. Mech. (NFDS&CB)	N/A	024-31878-000	024-31878-000	N/A	N/A	N/A	024-31878-000	024-31878-000
4C	2	Lug Kit	N/A	025-34479-000	025-34479-000	N/A	N/A	N/A	025-34479-000	025-34479-000
4J	1	Ground Lug	025-34455-000	025-34089-000	025-34089-000	N/A	N/A	N/A	025-34089-000	025-34089-000
	1	Ground Lug	025-34455-000	025-34089-000	025-34088-000	N/A	N/A	N/A	025-34088-000	025-34088-000
5	1	Transformer (3T)	025-18452-000	025-18452-000	025-18452-000	025-18452-000	025-18452-000	025-18452-000	025-18452-000	025-18452-000
5A	4	Surge Suppressor	031-02100-000	031-02100-000	031-02100-000	031-02100-000	031-02100-000	031-02100-000	031-02100-000	031-02100-000
5B ^S	4	Fan Contactor	024-34300-000	024-34300-000	024-34300-000	024-34300-000	024-34300-000	024-34300-000	024-34300-000	024-34300-000
5F ^S	4	Fan Overload	024-33170-000	024-33170-000	024-33170-000	024-33170-000	024-33170-000	024-33170-000	024-33170-000	024-33170-000
6	1	Bridge Rectifier	031-02201-000	031-02201-000	031-02201-000	031-02201-000	031-02201-000	031-02201-000	031-02201-000	031-02201-000
6A	2	Relay	024-31635-000	024-31635-000	024-31635-000	024-31635-000	024-31635-000	024-31635-000	024-31635-000	024-31635-000
	2	Relay	024-33177-000	024-33177-000	024-33177-000	024-33177-000	024-33177-000	024-33177-000	024-33177-000	024-33177-000
6B	2	Surge Suppressor	031-00808-000	031-00808-000	031-00808-000	031-00808-000	031-00808-000	031-00808-000	031-00808-000	031-00808-000
7	1	Remote Current Reset	031-00814-000	031-00814-000	031-00814-000	031-00814-000	031-00814-000	031-00814-000	031-00814-000	031-00814-000
8A ^S	1	Micro Board	031-02050-001	031-02050-001	031-02050-001	031-02050-001	031-02050-001	031-02050-001	031-02050-001	031-02050-001
8B ^S	1	EPROM	031-02049-001	031-02049-001	031-02049-001	031-02049-001	031-02049-001	031-02049-001	031-02049-001	031-02049-001
10A	1	Fuse Holder	025-34484-000	025-34484-000	025-34484-000	025-34484-000	025-34484-000	025-34484-000	025-34484-000	025-34484-000
10B	1	Fuse	025-38360-000	025-38360-000	025-38360-000	025-38360-000	025-38360-000	025-38360-000	025-38360-000	025-38360-000

Control & Power Panel

CONTROL PANEL AND POWER PANEL (CONT'D)

TABLE 7 (CONT'D) – CONTROL PANEL AND POWER PANEL COMPONENTS - YCAL0050-40 (SEE FIGS. 6-11, PAGES 22-28)

Item	Qty	Description	Multi-Point Sep Sys Term Blocks 371-04149-134	Multi-Point Sep Sys NF Disc. Sws. 371-04149-234	Multi-Point Sep Sys Circuit Brkrs 371-04149-334	Single Point Terminal Block 371-04149-434	Single Point Non-Fused Disc. Sw. 371-04149-534	Single Point Circuit Breaker 371-04149-634	Single Point TB w/ Sep Sys CBs 371-04149-734	Single Point NF Disc Sw w/ Sep Sys CBs 371-04149-834
1A	2	Compressor Contactor (System 1)	024-31813-000	024-31813-000	024-31813-000	024-31813-000	024-31813-000	024-31813-000	024-31813-000	024-31813-000
	2	Compressor Contactor (System 2)	024-31818-000	024-31818-000	024-31818-000	024-31818-000	024-31818-000	024-31818-000	024-31818-000	024-31818-000
1C	4	Surge Suppressor	031-02202-000	031-02202-000	031-02202-000	031-02202-000	031-02202-000	031-02202-000	031-02202-000	031-02202-000
1E	4	Ground Lug	025-34455-000	025-34455-000	025-34455-000	025-34455-000	025-34455-000	025-34455-000	025-34455-000	025-34455-000
2	1	Transformer (115/24V)	025-30889-000	025-30889-000	025-30889-000	025-30889-000	025-30889-000	025-30889-000	025-30889-000	025-30889-000
	3	Single Point TB	N/A	N/A	N/A	025-38363-000	N/A	N/A	025-38363-000	N/A
2A	1	Single Point CB	N/A	N/A	N/A	N/A	N/A	024-31649-000	N/A	N/A
	1	Single Point NFDS	N/A	N/A	N/A	N/A	024-31888-000	N/A	N/A	024-31888-000
2B	1	SP Oper. Mech. (NFDS&CB)	N/A	N/A	N/A	N/A	024-31878-000	024-31878-000	N/A	024-31878-000
2C	1	Single Point Lug Kit	N/A	N/A	N/A	N/A	025-34479-000	025-34479-000	N/A	025-34479-000
2J	1	Ground Lug	N/A	N/A	N/A	025-34088-000	025-34088-000	025-34088-000	025-34088-000	025-34088-000
4	2	Transformer (4T & 5T)	025-27911-000	025-27911-000	025-27911-000	025-27911-000	025-27911-000	025-27911-000	025-27911-000	025-27911-000
	3	Terminal Block (System 1)	025-38358-000	N/A	N/A	N/A	N/A	N/A	N/A	N/A
	3	Terminal Block (System 2)	025-38358-000	N/A	N/A	N/A	N/A	N/A	N/A	N/A
4A	1	Circuit Breaker (System 1)	N/A	N/A	024-31843-000	N/A	N/A	N/A	024-31843-000	024-31843-000
	1	Circuit Breaker (System 2)	N/A	N/A	024-31841-000	N/A	N/A	N/A	024-31841-000	024-31841-000
	1	NF Disconnect Switch (System 1)	N/A	024-31888-000	N/A	N/A	N/A	N/A	N/A	N/A
	1	NF Disconnect Switch (System 2)	N/A	024-31888-000	N/A	N/A	N/A	N/A	N/A	N/A
4B	2	MP Oper. Mech. (NFDS&CB)	N/A	024-31878-000	024-31878-000	N/A	N/A	N/A	024-31878-000	024-31878-000
4C	2	Lug Kit	N/A	025-34479-000	025-34478-000	N/A	N/A	N/A	025-34478-000	025-34478-000
4J	2	Ground Lug	025-34455-000	025-34089-000	025-34088-000	N/A	N/A	N/A	025-34088-000	025-34088-000
5	1	Transformer (3T)	025-18452-000	025-18452-000	025-18452-000	025-18452-000	025-18452-000	025-18452-000	025-18452-000	025-18452-000
5A	4	Surge Suppressor	031-02100-000	031-02100-000	031-02100-000	031-02100-000	031-02100-000	031-02100-000	031-02100-000	031-02100-000
5B ^s	4	Fan Contactor	024-34302-000	024-34302-000	024-34302-000	024-34302-000	024-34302-000	024-34302-000	024-34302-000	024-34302-000
5F ^s	4	Fan Overload	024-33169-000	024-33169-000	024-33169-000	024-33169-000	024-33169-000	024-33169-000	024-33169-000	024-33169-000
6	1	Bridge Rectifier	031-02201-000	031-02201-000	031-02201-000	031-02201-000	031-02201-000	031-02201-000	031-02201-000	031-02201-000
	2	Relay	024-31635-000	024-31635-000	024-31635-000	024-31635-000	024-31635-000	024-31635-000	024-31635-000	024-31635-000
6A	2	Relay	024-33177-000	024-33177-000	024-33177-000	024-33177-000	024-33177-000	024-33177-000	024-33177-000	024-33177-000
6B	2	Surge Suppressor	031-00808-000	031-00808-000	031-00808-000	031-00808-000	031-00808-000	031-00808-000	031-00808-000	031-00808-000
7	1	Remote Current Reset	031-00814-000	031-00814-000	031-00814-000	031-00814-000	031-00814-000	031-00814-000	031-00814-000	031-00814-000
8A ^s	1	Micro Board	031-02050-001	031-02050-001	031-02050-001	031-02050-001	031-02050-001	031-02050-001	031-02050-001	031-02050-001
8B ^s	1	EPROM	031-02049-001	031-02049-001	031-02049-001	031-02049-001	031-02049-001	031-02049-001	031-02049-001	031-02049-001
10A	1	Fuse Holder	025-34484-000	025-34484-000	025-34484-000	025-34484-000	025-34484-000	025-34484-000	025-34484-000	025-34484-000
10B	1	Fuse	025-38360-000	025-38360-000	025-38360-000	025-38360-000	025-38360-000	025-38360-000	025-38360-000	025-38360-000

CONTROL PANEL AND POWER PANEL (CONT'D)

TABLE 7 (CONT'D) – CONTROL PANEL AND POWER PANEL COMPONENTS - YCAL0050-46 (SEE FIGS. 6-11, PAGES 22-28)

Item Qty	Description	Multi-Point Sep Sys Term Blocks 371-04149-131	Multi-Point Sep Sys NF Disc. Sws. 371-04149-232	Multi-Point Sep Sys Circuit Brkrs 371-04149-332	Single Point Terminal Block 371-04149-431	Single Point Non-Fused Disc. Sw. 371-04149-531	Single Point Circuit Breaker 371-04149-631	Single Point TB w/ Sep Sys CBs 371-04149-732	Single Point NF Disc Sw w/ Sep Sys CBs 371-04149-832
1A	2 Compressor Contactor (System 1)	024-31818-000	024-31818-000	024-31818-000	024-31818-000	024-31818-000	024-31818-000	024-31818-000	024-31818-000
	2 Compressor Contactor (System 2)	024-31818-000	024-31818-000	024-31818-000	024-31818-000	024-31818-000	024-31818-000	024-31818-000	024-31818-000
1C	4 Surge Suppressor	031-02202-000	031-02202-000	031-02202-000	031-02202-000	031-02202-000	031-02202-000	031-02202-000	031-02202-000
1E	4 Ground Lug	025-34455-000	025-34455-000	025-34455-000	025-34455-000	025-34455-000	025-34455-000	025-34455-000	025-34455-000
2	1 Transformer (115/24V)	025-30889-000	025-30889-000	025-30889-000	025-30889-000	025-30889-000	025-30889-000	025-30889-000	025-30889-000
	3 Single Point TB	N/A	N/A	N/A	025-38358-000	N/A	N/A	025-38358-000	N/A
2A	1 Single Point CB	N/A	N/A	N/A	N/A	N/A	024-31844-000	N/A	N/A
	1 Single Point NFDS	N/A	N/A	N/A	N/A	024-31888-000	N/A	N/A	024-31888-000
2B	1 SP Oper. Mech. (NFDS&CB)	N/A	N/A	N/A	N/A	024-31878-000	024-31878-000	N/A	024-31878-000
2C	1 Single Point Lug Kit	N/A	N/A	N/A	N/A	025-34479-000	025-34478-000	N/A	025-34479-000
2J	1 Ground Lug	N/A	N/A	N/A	025-34455-000	025-34089-000	025-34088-000	025-34455-000	025-34089-000
4	2 Transformer (4T & 5T)	025-27911-000	025-27911-000	025-27911-000	025-27911-000	025-27911-000	025-27911-000	025-27911-000	025-27911-000
	3 Terminal Block (System 1)	025-38358-000	N/A	N/A	N/A	N/A	N/A	N/A	N/A
	3 Terminal Block (System 2)	025-38358-000	N/A	N/A	N/A	N/A	N/A	N/A	N/A
4A	1 Circuit Breaker (System 1)	N/A	N/A	024-31841-000	N/A	N/A	N/A	024-31841-000	024-31841-000
	1 Circuit Breaker (System 2)	N/A	N/A	024-31839-000	N/A	N/A	N/A	024-31839-000	024-31839-000
	1 NF Disconnect Switch (System 1)	N/A	024-31888-000	N/A	N/A	N/A	N/A	N/A	N/A
	1 NF Disconnect Switch (System 2)	N/A	024-31888-000	N/A	N/A	N/A	N/A	N/A	N/A
4B	2 MP Oper. Mech. (NFDS&CB)	N/A	024-31878-000	024-31878-000	N/A	N/A	N/A	024-31878-000	024-31878-000
4C	1 Lug Kit (System 1)	N/A	025-34479-000	025-34478-000	N/A	N/A	N/A	025-34478-000	025-34478-000
	1 Lug Kit (System 2)	N/A	025-34479-000	025-34477-000	N/A	N/A	N/A	025-34477-000	025-34477-000
4J	1 Ground Lug (System 1)	025-34455-000	025-34089-000	025-34088-000	N/A	N/A	N/A	025-34088-000	025-34088-000
	1 Ground Lug (System 2)	025-34455-000	025-34089-000	025-34455-000	N/A	N/A	N/A	025-34455-000	025-34455-000
5	1 Transformer (3T)	025-18452-000	025-18452-000	025-18452-000	025-18452-000	025-18452-000	025-18452-000	025-18452-000	025-18452-000
5A	4 Surge Suppressor	031-02100-000	031-02100-000	031-02100-000	031-02100-000	031-02100-000	031-02100-000	031-02100-000	031-02100-000
5B ^s	4 Fan Contactor	024-34302-000	024-34302-000	024-34302-000	024-34302-000	024-34302-000	024-34302-000	024-34302-000	024-34302-000
5F ^s	4 Fan Overload	024-33169-000	024-33169-000	024-33169-000	024-33169-000	024-33169-000	024-33169-000	024-33169-000	024-33169-000
6	1 Bridge Rectifier	031-02201-000	031-02201-000	031-02201-000	031-02201-000	031-02201-000	031-02201-000	031-02201-000	031-02201-000
6A	2 Relay	024-31635-000	024-31635-000	024-31635-000	024-31635-000	024-31635-000	024-31635-000	024-31635-000	024-31635-000
	2 Surge Suppressor	024-33177-000	024-33177-000	024-33177-000	024-33177-000	024-33177-000	024-33177-000	024-33177-000	024-33177-000
6B	2 Surge Suppressor	031-00808-000	031-00808-000	031-00808-000	031-00808-000	031-00808-000	031-00808-000	031-00808-000	031-00808-000
7	1 Remote Current Reset	031-00814-000	031-00814-000	031-00814-000	031-00814-000	031-00814-000	031-00814-000	031-00814-000	031-00814-000
8A ^s	1 Micro Board	031-02050-001	031-02050-001	031-02050-001	031-02050-001	031-02050-001	031-02050-001	031-02050-001	031-02050-001
8B ^s	1 EPROM	031-02049-001	031-02049-001	031-02049-001	031-02049-001	031-02049-001	031-02049-001	031-02049-001	031-02049-001
10A	1 Fuse Holder	025-34484-000	025-34484-000	025-34484-000	025-34484-000	025-34484-000	025-34484-000	025-34484-000	025-34484-000
10B	1 Fuse	025-38360-000	025-38360-000	025-38360-000	025-38360-000	025-38360-000	025-38360-000	025-38360-000	025-38360-000

Control & Power Panel

CONTROL PANEL AND POWER PANEL (CONT'D)

TABLE 7 (CONT'D) – CONTROL PANEL AND POWER PANEL COMPONENTS - YCAL0050-58 (SEE FIGS. 6-11, PAGES 22-28)

Item	Qty	Description	Multi-Point Sep Sys Term Blocks 371-04149-151	Multi-Point Sep Sys NF Disc. Sws. 371-04149-251	Multi-Point Sep Sys Circuit Brkrs 371-04149-354	Single Point Terminal Block 371-04149-451	Single Point Non-Fused Disc. Sw. 371-04149-551	Single Point Circuit Breaker 371-04149-654	Single Point TB w/ Sep Sys CBs 371-04149-754	Single Point NF Disc Sw w/ Sep Sys CBs 371-04149-854
1A	2	Compressor Contactor (System 1)	024-31817-000	024-31817-000	024-31817-000	024-31817-000	024-31817-000	024-31817-000	024-31817-000	024-31817-000
	2	Compressor Contactor (System 2)	024-31817-000	024-31817-000	024-31817-000	024-31817-000	024-31817-000	024-31817-000	024-31817-000	024-31817-000
1C	4	Surge Suppressor	031-02202-000	031-02202-000	031-02202-000	031-02202-000	031-02202-000	031-02202-000	031-02202-000	031-02202-000
1E	4	Ground Lug	025-34455-000	025-34455-000	025-34455-000	025-34455-000	025-34455-000	025-34455-000	025-34455-000	025-34455-000
2	1	Transformer (115/24V)	025-30889-000	025-30889-000	025-30889-000	025-30889-000	025-30889-000	025-30889-000	025-30889-000	025-30889-000
	3	Single Point TB	N/A	N/A	N/A	025-38358-000	N/A	N/A	025-38358-000	N/A
2A	1	Single Point CB	N/A	N/A	N/A	N/A	N/A	024-31843-000	N/A	N/A
	1	Single Point NFDS	N/A	N/A	N/A	N/A	024-31888-000	N/A	N/A	024-31888-000
2B	1	SP Oper. Mech. (NFDS&CB)	N/A	N/A	N/A	N/A	024-31878-000	024-31878-000	N/A	024-31878-000
2C	1	Single Point Lug Kit	N/A	N/A	N/A	N/A	025-34479-000	025-34478-000	N/A	025-34479-000
2J	1	Ground Lug	N/A	N/A	N/A	025-34455-000	025-34089-000	025-34088-000	025-34455-000	025-34089-000
4	2	Transformer (4T & 5T)	025-27911-000	025-27911-000	025-27911-000	025-27911-000	025-27911-000	025-27911-000	025-27911-000	025-27911-000
	3	Terminal Block (System 1)	025-38358-000	N/A	N/A	N/A	N/A	N/A	N/A	N/A
	3	Terminal Block (System 2)	025-38358-000	N/A	N/A	N/A	N/A	N/A	N/A	N/A
4A	1	Circuit Breaker (System 1)	N/A	N/A	024-31839-000	N/A	N/A	N/A	024-31839-000	024-31839-000
	1	Circuit Breaker (System 2)	N/A	N/A	024-31838-000	N/A	N/A	N/A	024-31838-000	024-31838-000
	1	NF Disconnect Switch (System 1)	N/A	024-31888-000	N/A	N/A	N/A	N/A	N/A	N/A
	1	NF Disconnect Switch (System 2)	N/A	024-31888-000	N/A	N/A	N/A	N/A	N/A	N/A
4B	2	MP Oper. Mech. (NFDS&CB)	N/A	024-31878-000	024-31878-000	N/A	N/A	N/A	024-31878-000	024-31878-000
4C	2	Lug Kit	N/A	025-34479-000	025-34477-000	N/A	N/A	N/A	025-34477-000	025-34477-000
4J	2	Ground Lug	025-34455-000	025-34089-000	025-34455-000	N/A	N/A	N/A	025-34455-000	025-34455-000
5	1	Transformer (3T)	025-18452-000	025-18452-000	025-18452-000	025-18452-000	025-18452-000	025-18452-000	025-18452-000	025-18452-000
5A	4	Surge Suppressor	031-02100-000	031-02100-000	031-02100-000	031-02100-000	031-02100-000	031-02100-000	031-02100-000	031-02100-000
5B^s	4	Fan Contactor	024-34302-000	024-34302-000	024-34302-000	024-34302-000	024-34302-000	024-34302-000	024-34302-000	024-34302-000
5F^s	4	Fan Overload	024-33168-000	024-33168-000	024-33168-000	024-33168-000	024-33168-000	024-33168-000	024-33168-000	024-33168-000
6	1	Bridge Rectifier	031-02201-000	031-02201-000	031-02201-000	031-02201-000	031-02201-000	031-02201-000	031-02201-000	031-02201-000
	2	Relay	024-31635-000	024-31635-000	024-31635-000	024-31635-000	024-31635-000	024-31635-000	024-31635-000	024-31635-000
6A	2	Relay	024-33177-000	024-33177-000	024-33177-000	024-33177-000	024-33177-000	024-33177-000	024-33177-000	024-33177-000
6B	2	Surge Suppressor	031-00808-000	031-00808-000	031-00808-000	031-00808-000	031-00808-000	031-00808-000	031-00808-000	031-00808-000
7	1	Remote Current Reset	031-00814-000	031-00814-000	031-00814-000	031-00814-000	031-00814-000	031-00814-000	031-00814-000	031-00814-000
8A^s	1	Micro Board	031-02050-001	031-02050-001	031-02050-001	031-02050-001	031-02050-001	031-02050-001	031-02050-001	031-02050-001
8B^s	1	EPROM	031-02049-001	031-02049-001	031-02049-001	031-02049-001	031-02049-001	031-02049-001	031-02049-001	031-02049-001
10A	1	Fuse Holder	025-34484-000	025-34484-000	025-34484-000	025-34484-000	025-34484-000	025-34484-000	025-34484-000	025-34484-000
10B	1	Fuse	025-38360-000	025-38360-000	025-38360-000	025-38360-000	025-38360-000	025-38360-000	025-38360-000	025-38360-000

CONTROL PANEL AND POWER PANEL (CONT'D)

TABLE 7 (CONT'D) – CONTROL PANEL AND POWER PANEL COMPONENTS - YCAL0060-17 & YCAL0060-28 (SEE FIGS. 6-11, PAGES 22-28)

Item	Qty	Description	Multi-Point Sep Sys Term Blocks 371-04149-125	Multi-Point Sep Sys NF Disc. Sws. 371-04149-225	Multi-Point Sep Sys Circuit Brkrs 371-04149-325	Single Point Terminal Block 371-04149-425	Single Point Non-Fused Disc. Sw. 371-04149-525	Single Point Circuit Breaker 371-04149-625	Single Point TB w/ Sep Sys CBs 371-04149-725	Single Point NF Disc Sw w/ Sep Sys CBs 371-04149-825
1A	2	Compressor Contactor (System 1)	024-31640-000	024-31640-000	024-31640-000	024-31640-000	024-31640-000	024-31640-000	024-31640-000	024-31640-000
	2	Compressor Contactor (System 2)	024-31640-000	024-31640-000	024-31640-000	024-31640-000	024-31640-000	024-31640-000	024-31640-000	024-31640-000
1C	4	Surge Suppressor	031-02203-000	031-02203-000	031-02203-000	031-02203-000	031-02203-000	031-02203-000	031-02203-000	031-02203-000
1E	4	Ground Lug	025-34455-000	025-34455-000	025-34455-000	025-34455-000	025-34455-000	025-34455-000	025-34455-000	025-34455-000
2	1	Transformer (115/24V)	025-30889-000	025-30889-000	025-30889-000	025-30889-000	025-30889-000	025-30889-000	025-30889-000	025-30889-000
	3	Single Point TB	N/A	N/A	N/A	025-38364-000	N/A	N/A	025-38364-000	N/A
2A	1	Single Point CB	N/A	N/A	N/A	N/A	N/A	025-34419-000	N/A	N/A
	1	Single Point NFDS	N/A	N/A	N/A	024-30964-000	N/A	N/A	N/A	024-30964-000
2B	1	SP Oper. Mech. (NFDS&CB)	N/A	N/A	N/A	N/A	024-31878-000	024-31878-000	N/A	024-31878-000
2C	1	Single Point Lug Kit	N/A	N/A	N/A	N/A	025-34481-000	025-34418-000	N/A	025-34481-000
2J	1	Ground Lug	N/A	N/A	N/A	025-34089-000	025-34085-000	025-34089-000	025-34089-000	025-34085-000
4	2	Transformer (4T & 5T)	025-27911-000	025-27911-000	025-27911-000	025-27911-000	025-27911-000	025-27911-000	025-27911-000	025-27911-000
	3	Terminal Block (System 1)	025-38363-000	N/A	N/A	N/A	N/A	N/A	N/A	N/A
	3	Terminal Block (System 2)	025-38363-000	N/A	N/A	N/A	N/A	N/A	N/A	N/A
4A	1	Circuit Breaker (System 1)	N/A	N/A	024-31649-000	N/A	N/A	N/A	024-31649-000	024-31649-000
	1	Circuit Breaker (System 2)	N/A	N/A	024-31649-000	N/A	N/A	N/A	024-31649-000	024-31649-000
	1	NF Disconnect Switch (System 1)	N/A	024-31888-000	N/A	N/A	N/A	N/A	N/A	N/A
	1	NF Disconnect Switch (System 2)	N/A	024-31888-000	N/A	N/A	N/A	N/A	N/A	N/A
4B	2	MP Oper. Mech. (NFDS&CB)	N/A	024-31878-000	024-31878-000	N/A	N/A	N/A	024-31878-000	024-31878-000
4C	2	Lug Kit	N/A	025-34479-000	025-34479-000	N/A	N/A	N/A	025-34479-000	025-34479-000
4J	2	Ground Lug	025-34088-000	025-34089-000	025-34089-000	N/A	N/A	N/A	025-34089-000	025-34089-000
5	1	Transformer (3T)	025-18452-000	025-18452-000	025-18452-000	025-18452-000	025-18452-000	025-18452-000	025-18452-000	025-18452-000
5A	4	Surge Suppressor	031-02100-000	031-02100-000	031-02100-000	031-02100-000	031-02100-000	031-02100-000	031-02100-000	031-02100-000
5B^s	4	Fan Contactor	024-34300-000	024-34300-000	024-34300-000	024-34300-000	024-34300-000	024-34300-000	024-34300-000	024-34300-000
5F^s	4	Fan Overload	024-33170-000	024-33170-000	024-33170-000	024-33170-000	024-33170-000	024-33170-000	024-33170-000	024-33170-000
6	1	Bridge Rectifier	031-02201-000	031-02201-000	031-02201-000	031-02201-000	031-02201-000	031-02201-000	031-02201-000	031-02201-000
	2	Relay	024-31635-000	024-31635-000	024-31635-000	024-31635-000	024-31635-000	024-31635-000	024-31635-000	024-31635-000
6A	2	Relay	024-33177-000	024-33177-000	024-33177-000	024-33177-000	024-33177-000	024-33177-000	024-33177-000	024-33177-000
6B	2	Surge Suppressor	031-00808-000	031-00808-000	031-00808-000	031-00808-000	031-00808-000	031-00808-000	031-00808-000	031-00808-000
7	1	Remote Current Reset	031-00814-000	031-00814-000	031-00814-000	031-00814-000	031-00814-000	031-00814-000	031-00814-000	031-00814-000
8A^s	1	Micro Board	031-02050-001	031-02050-001	031-02050-001	031-02050-001	031-02050-001	031-02050-001	031-02050-001	031-02050-001
8B^s	1	EPROM	031-02049-001	031-02049-001	031-02049-001	031-02049-001	031-02049-001	031-02049-001	031-02049-001	031-02049-001
10A	1	Fuse Holder	025-34484-000	025-34484-000	025-34484-000	025-34484-000	025-34484-000	025-34484-000	025-34484-000	025-34484-000
10B	1	Fuse	025-38360-000	025-38360-000	025-38360-000	025-38360-000	025-38360-000	025-38360-000	025-38360-000	025-38360-000

Control & Power Panel

CONTROL PANEL AND POWER PANEL (CONT'D)

TABLE 7 (CONT'D) – CONTROL PANEL AND POWER PANEL COMPONENTS - YCAL0060-40 (SEE FIGS. 6-11, PAGES 22-28)

Item	Qty	Description	Multi-Point Sep Sys Term Blocks 371-04149-135	Multi-Point Sep Sys NF Disc. Sws. 371-04149-235	Multi-Point Sep Sys Circuit Brkrs 371-04149-335	Single Point Terminal Block 371-04149-435	Single Point Non-Fused Disc. Sw. 371-04149-535	Single Point Circuit Breaker 371-04149-635	Single Point TB w/ Sep Sys CBs 371-04149-735	Single Point NF Disc Sw w/ Sep Sys CBs 371-04149-835
1A	2	Compressor Contactor (System 1)	024-31813-000	024-31813-000	024-31813-000	024-31813-000	024-31813-000	024-31813-000	024-31813-000	024-31813-000
	2	Compressor Contactor (System 2)	024-31813-000	024-31813-000	024-31813-000	024-31813-000	024-31813-000	024-31813-000	024-31813-000	024-31813-000
1C	4	Surge Suppressor	031-02202-000	031-02202-000	031-02202-000	031-02202-000	031-02202-000	031-02202-000	031-02202-000	031-02202-000
1E	4	Ground Lug	025-34455-000	025-34455-000	025-34455-000	025-34455-000	025-34455-000	025-34455-000	025-34455-000	025-34455-000
2	1	Transformer (115/24V)	025-30889-000	025-30889-000	025-30889-000	025-30889-000	025-30889-000	025-30889-000	025-30889-000	025-30889-000
	3	Single Point TB	N/A	N/A	N/A	025-38363-000	N/A	N/A	025-38363-000	N/A
2A	1	Single Point CB	N/A	N/A	N/A	N/A	N/A	024-31649-000	N/A	N/A
	1	Single Point NFDS	N/A	N/A	N/A	N/A	024-30963-000	N/A	N/A	024-30963-000
2B	1	SP Oper. Mech. (NFDS&CB)	N/A	N/A	N/A	N/A	024-31878-000	024-31878-000	N/A	024-31878-000
2C	1	Single Point Lug Kit	N/A	N/A	N/A	N/A	025-34418-000	025-34479-000	N/A	025-34418-000
2J	1	Ground Lug	N/A	N/A	N/A	025-34088-000	025-34085-000	025-34089-000	025-34088-000	025-34085-000
4	2	Transformer (4T & 5T)	025-27911-000	025-27911-000	025-27911-000	025-27911-000	025-27911-000	025-27911-000	025-27911-000	025-27911-000
	3	Terminal Block (System 1)	025-38358-000	N/A	N/A	N/A	N/A	N/A	N/A	N/A
	3	Terminal Block (System 2)	025-38358-000	N/A	N/A	N/A	N/A	N/A	N/A	N/A
4A	1	Circuit Breaker (System 1)	N/A	N/A	024-31843-000	N/A	N/A	N/A	024-31843-000	024-31843-000
	1	Circuit Breaker (System 2)	N/A	N/A	024-31843-000	N/A	N/A	N/A	024-31843-000	024-31843-000
	1	NF Disconnect Switch (System 1)	N/A	024-31888-000	N/A	N/A	N/A	N/A	N/A	N/A
	1	NF Disconnect Switch (System 2)	N/A	024-31888-000	N/A	N/A	N/A	N/A	N/A	N/A
4B	2	MP Oper. Mech. (NFDS&CB)	N/A	024-31878-000	024-31878-000	N/A	N/A	N/A	024-31878-000	024-31878-000
4C	2	Lug Kit	N/A	025-34479-000	025-34478-000	N/A	N/A	N/A	025-34478-000	025-34478-000
4J	2	Ground Lug	025-34455-000	025-34089-000	025-34088-000	N/A	N/A	N/A	025-34088-000	025-34088-000
5	1	Transformer (3T)	025-18452-000	025-18452-000	025-18452-000	025-18452-000	025-18452-000	025-18452-000	025-18452-000	025-18452-000
5A	4	Surge Suppressor	031-02100-000	031-02100-000	031-02100-000	031-02100-000	031-02100-000	031-02100-000	031-02100-000	031-02100-000
5B ^s	4	Fan Contactor	024-34302-000	024-34302-000	024-34302-000	024-34302-000	024-34302-000	024-34302-000	024-34302-000	024-34302-000
5F ^s	4	Fan Overload	024-33169-000	024-33169-000	024-33169-000	024-33169-000	024-33169-000	024-33169-000	024-33169-000	024-33169-000
6	1	Bridge Rectifier	031-02201-000	031-02201-000	031-02201-000	031-02201-000	031-02201-000	031-02201-000	031-02201-000	031-02201-000
	2	Relay	024-31635-000	024-31635-000	024-31635-000	024-31635-000	024-31635-000	024-31635-000	024-31635-000	024-31635-000
6A	2	Relay	024-33177-000	024-33177-000	024-33177-000	024-33177-000	024-33177-000	024-33177-000	024-33177-000	024-33177-000
6B	2	Surge Suppressor	031-00808-000	031-00808-000	031-00808-000	031-00808-000	031-00808-000	031-00808-000	031-00808-000	031-00808-000
7	1	Remote Current Reset	031-00814-000	031-00814-000	031-00814-000	031-00814-000	031-00814-000	031-00814-000	031-00814-000	031-00814-000
8A ^s	1	Micro Board	031-02050-001	031-02050-001	031-02050-001	031-02050-001	031-02050-001	031-02050-001	031-02050-001	031-02050-001
8B ^s	1	EPROM	031-02049-001	031-02049-001	031-02049-001	031-02049-001	031-02049-001	031-02049-001	031-02049-001	031-02049-001
10A	1	Fuse Holder	025-34484-000	025-34484-000	025-34484-000	025-34484-000	025-34484-000	025-34484-000	025-34484-000	025-34484-000
10B	1	Fuse	025-38360-000	025-38360-000	025-38360-000	025-38360-000	025-38360-000	025-38360-000	025-38360-000	025-38360-000

CONTROL PANEL AND POWER PANEL (CONT'D)

TABLE 7 (CONT'D) – CONTROL PANEL AND POWER PANEL COMPONENTS - YCAL0060-46 (SEE FIGS. 6-11, PAGES 22-28)

Item	Qty	Description	Multi-Point Sep Sys Term Blocks 371-04149-131	Multi-Point Sep Sys NF Disc. Sws. 371-04149-233	Multi-Point Sep Sys Circuit Brkrs 371-04149-333	Single Point Terminal Block 371-04149-433	Single Point Non-Fused Disc. Sw. 371-04149-531	Single Point Circuit Breaker 371-04149-631	Single Point TB w/ Sep Sys CBs 371-04149-733	Single Point NF Disc Sw w/ Sep Sys CBs 371-04149-833
1A	2	Compressor Contactor (System 1)	024-31818-000	024-31818-000	024-31818-000	024-31818-000	024-31818-000	024-31818-000	024-31818-000	024-31818-000
	2	Compressor Contactor (System 2)	024-31818-000	024-31818-000	024-31818-000	024-31818-000	024-31818-000	024-31818-000	024-31818-000	024-31818-000
1C	4	Surge Suppressor	031-02202-000	031-02202-000	031-02202-000	031-02202-000	031-02202-000	031-02202-000	031-02202-000	031-02202-000
1E	4	Ground Lug	025-34455-000	025-34455-000	025-34455-000	025-34455-000	025-34455-000	025-34455-000	025-34455-000	025-34455-000
2	1	Transformer (115/24V)	025-30889-000	025-30889-000	025-30889-000	025-30889-000	025-30889-000	025-30889-000	025-30889-000	025-30889-000
	3	Single Point TB	N/A	N/A	N/A	025-38363-000	N/A	N/A	025-38363-000	N/A
2A	1	Single Point CB	N/A	N/A	N/A	N/A	N/A	024-31844-000	N/A	N/A
	1	Single Point NFDS	N/A	N/A	N/A	N/A	024-31888-000	N/A	N/A	024-31888-000
2B	1	SP Oper. Mech. (NFDS&CB)	N/A	N/A	N/A	N/A	024-31878-000	024-31878-000	N/A	024-31878-000
2C	1	Single Point Lug Kit	N/A	N/A	N/A	N/A	025-34479-000	025-34478-000	N/A	025-34479-000
2J	1	Ground Lug	N/A	N/A	N/A	025-34455-000	025-34089-000	025-34088-000	025-34455-000	025-34089-000
4	2	Transformer (4T & 5T)	025-27911-000	025-27911-000	025-27911-000	025-27911-000	025-27911-000	025-27911-000	025-27911-000	025-27911-000
	3	Terminal Block (System 1)	025-38358-000	N/A	N/A	N/A	N/A	N/A	N/A	N/A
	3	Terminal Block (System 2)	025-38358-000	N/A	N/A	N/A	N/A	N/A	N/A	N/A
4A	1	Circuit Breaker (System 1)	N/A	N/A	024-31841-000	N/A	N/A	N/A	024-31841-000	024-31841-000
	1	Circuit Breaker (System 2)	N/A	N/A	024-31841-000	N/A	N/A	N/A	N/A	N/A
	1	NF Disconnect Switch (System 1)	N/A	024-31888-000	N/A	N/A	N/A	N/A	N/A	N/A
	1	NF Disconnect Switch (System 2)	N/A	024-31888-000	N/A	N/A	N/A	N/A	N/A	N/A
4B	2	MP Oper. Mech. (NFDS&CB)	N/A	024-31878-000	024-31878-000	N/A	N/A	N/A	024-31878-000	024-31878-000
4C	1	Lug Kit	N/A	025-34479-000	025-34478-000	N/A	N/A	N/A	025-34478-000	025-34478-000
4J	1	Ground Lug	025-34455-000	025-34089-000	025-34088-000	N/A	N/A	N/A	025-34088-000	025-34088-000
5	1	Transformer (3T)	025-18452-000	025-18452-000	025-18452-000	025-18452-000	025-18452-000	025-18452-000	025-18452-000	025-18452-000
5A	4	Surge Suppressor	031-02100-000	031-02100-000	031-02100-000	031-02100-000	031-02100-000	031-02100-000	031-02100-000	031-02100-000
5B ^S	4	Fan Contactor	024-34302-000	024-34302-000	024-34302-000	024-34302-000	024-34302-000	024-34302-000	024-34302-000	024-34302-000
5F ^S	4	Fan Overload	024-33169-000	024-33169-000	024-33169-000	024-33169-000	024-33169-000	024-33169-000	024-33169-000	024-33169-000
6	1	Bridge Rectifier	031-02201-000	031-02201-000	031-02201-000	031-02201-000	031-02201-000	031-02201-000	031-02201-000	031-02201-000
6A	2	Relay	024-31635-000	024-31635-000	024-31635-000	024-31635-000	024-31635-000	024-31635-000	024-31635-000	024-31635-000
	2	Relay	024-33177-000	024-33177-000	024-33177-000	024-33177-000	024-33177-000	024-33177-000	024-33177-000	024-33177-000
6B	2	Surge Suppressor	031-00808-000	031-00808-000	031-00808-000	031-00808-000	031-00808-000	031-00808-000	031-00808-000	031-00808-000
7	1	Remote Current Reset	031-00814-000	031-00814-000	031-00814-000	031-00814-000	031-00814-000	031-00814-000	031-00814-000	031-00814-000
8A ^S	1	Micro Board	031-02050-001	031-02050-001	031-02050-001	031-02050-001	031-02050-001	031-02050-001	031-02050-001	031-02050-001
8B ^S	1	EPROM	031-02049-001	031-02049-001	031-02049-001	031-02049-001	031-02049-001	031-02049-001	031-02049-001	031-02049-001
10A	1	Fuse Holder	025-34484-000	025-34484-000	025-34484-000	025-34484-000	025-34484-000	025-34484-000	025-34484-000	025-34484-000
10B	1	Fuse	025-38360-000	025-38360-000	025-38360-000	025-38360-000	025-38360-000	025-38360-000	025-38360-000	025-38360-000

Control & Power Panel

CONTROL PANEL AND POWER PANEL (CONT'D)

TABLE 7 (CONT'D) – CONTROL PANEL AND POWER PANEL COMPONENTS - YCAL0060-58 (SEE FIGS. 6-11, PAGES 22-28)

Item	Qty	Description	Multi-Point Sep Sys Term Blocks 371-04149-151	Multi-Point Sep Sys NF Disc. Sws. 371-04149-251	Multi-Point Sep Sys Circuit Brkrs 371-04149-355	Single Point Terminal Block 371-04149-451	Single Point Non-Fused Disc. Sw. 371-04149-555	Single Point Circuit Breaker 371-04149-554	Single Point TB w/ Sep Sys CBs 371-04149-755	Single Point NF Disc Sw w/ Sep Sys CBs 371-04149-855
1A	2	Compressor Contactor (System 1)	024-31817-000	024-31817-000	024-31817-000	024-31817-000	024-31817-000	024-31817-000	024-31817-000	024-31817-000
	2	Compressor Contactor (System 2)	024-31817-000	024-31817-000	024-31817-000	024-31817-000	024-31817-000	024-31817-000	024-31817-000	024-31817-000
1C	4	Surge Suppressor	031-02202-000	031-02202-000	031-02202-000	031-02202-000	031-02202-000	031-02202-000	031-02202-000	031-02202-000
1E	4	Ground Lug	025-34455-000	025-34455-000	025-34455-000	025-34455-000	025-34455-000	025-34455-000	025-34455-000	025-34455-000
2	1	Transformer (115/24V)	025-30889-000	025-30889-000	025-30889-000	025-30889-000	025-30889-000	025-30889-000	025-30889-000	025-30889-000
	3	Single Point TB	N/A	N/A	N/A	025-38358-000	N/A	N/A	025-38358-000	N/A
2A	1	Single Point CB	N/A	N/A	N/A	N/A	N/A	024-31843-000	N/A	N/A
	1	Single Point NFDS	N/A	N/A	N/A	N/A	024-31888-000	N/A	N/A	024-31888-000
2B	1	SP Oper. Mech. (NFDS&CB)	N/A	N/A	N/A	N/A	024-31878-000	024-31878-000	N/A	024-31878-000
2C	1	Single Point Lug Kit	N/A	N/A	N/A	N/A	025-34479-000	025-34478-000	N/A	025-34479-000
2J	1	Ground Lug	N/A	N/A	N/A	025-34455-000	025-34089-000	025-34088-000	025-34455-000	025-34089-000
4	2	Transformer (4T & 5T)	025-27911-000	025-27911-000	025-27911-000	025-27911-000	025-27911-000	025-27911-000	025-27911-000	025-27911-000
	3	Terminal Block (System 1)	025-38358-000	N/A	N/A	N/A	N/A	N/A	N/A	N/A
	3	Terminal Block (System 2)	025-38358-000	N/A	N/A	N/A	N/A	N/A	N/A	N/A
4A	1	Circuit Breaker (System 1)	N/A	N/A	024-31839-000	N/A	N/A	N/A	024-31839-000	024-31839-000
	1	Circuit Breaker (System 2)	N/A	N/A	024-31839-000	N/A	N/A	N/A	024-31839-000	024-31839-000
	1	NF Disconnect Switch (System 1)	N/A	024-31888-000	N/A	N/A	N/A	N/A	N/A	N/A
	1	NF Disconnect Switch (System 2)	N/A	024-31888-000	N/A	N/A	N/A	N/A	N/A	N/A
4B	2	MP Oper. Mech. (NFDS&CB)	N/A	024-31878-000	024-31878-000	N/A	N/A	N/A	024-31878-000	024-31878-000
4C	2	Lug Kit	N/A	025-34479-000	025-34477-000	N/A	N/A	N/A	025-34477-000	025-34477-000
4J	2	Ground Lug	025-34455-000	025-34089-000	025-34455-000	N/A	N/A	N/A	025-34455-000	025-34455-000
5	1	Transformer (3T)	025-18452-000	025-18452-000	025-18452-000	025-18452-000	025-18452-000	025-18452-000	025-18452-000	025-18452-000
5A	4	Surge Suppressor	031-02100-000	031-02100-000	031-02100-000	031-02100-000	031-02100-000	031-02100-000	031-02100-000	031-02100-000
5B^s	4	Fan Contactor	024-34302-000	024-34302-000	024-34302-000	024-34302-000	024-34302-000	024-34302-000	024-34302-000	024-34302-000
5F^s	4	Fan Overload	024-33168-000	024-33168-000	024-33168-000	024-33168-000	024-33168-000	024-33168-000	024-33168-000	024-33168-000
6	1	Bridge Rectifier	031-02201-000	031-02201-000	031-02201-000	031-02201-000	031-02201-000	031-02201-000	031-02201-000	031-02201-000
	2	Relay	024-31635-000	024-31635-000	024-31635-000	024-31635-000	024-31635-000	024-31635-000	024-31635-000	024-31635-000
6A	2	Relay	024-33177-000	024-33177-000	024-33177-000	024-33177-000	024-33177-000	024-33177-000	024-33177-000	024-33177-000
6B	2	Surge Suppressor	031-00808-000	031-00808-000	031-00808-000	031-00808-000	031-00808-000	031-00808-000	031-00808-000	031-00808-000
7	1	Remote Current Reset	031-00814-000	031-00814-000	031-00814-000	031-00814-000	031-00814-000	031-00814-000	031-00814-000	031-00814-000
8A^s	1	Micro Board	031-02050-001	031-02050-001	031-02050-001	031-02050-001	031-02050-001	031-02050-001	031-02050-001	031-02050-001
8B^s	1	EPROM	031-02049-001	031-02049-001	031-02049-001	031-02049-001	031-02049-001	031-02049-001	031-02049-001	031-02049-001
10A	1	Fuse Holder	025-34484-000	025-34484-000	025-34484-000	025-34484-000	025-34484-000	025-34484-000	025-34484-000	025-34484-000
10B	1	Fuse	025-38360-000	025-38360-000	025-38360-000	025-38360-000	025-38360-000	025-38360-000	025-38360-000	025-38360-000

CONTROL PANEL AND POWER PANEL (CONT'D)

TABLE 7 (CONT'D) – CONTROL PANEL AND POWER PANEL COMPONENTS - YCAL0064-17 & YCAL0064-28 (SEE FIGS. 6-11, PAGES 22-28)

Item	Qty	Description	Multi-Point Sep Sys Term Blocks 371-04150-125	Multi-Point Sep Sys NF Disc. Sws. 371-04150-225	Multi-Point Sep Sys Circuit Brkrs 371-04150-325	Single Point Terminal Block 371-04150-425	Single Point Non-Fused Disc. Sw. 371-04150-525	Single Point Circuit Breaker 371-04150-625	Single Point TB w/ Sep Sys CBs 371-04150-725	Single Point NF Disc Sw w/ Sep Sys CBs 371-04150-825
1A	2	Compressor Contactor (System 1)	024-31107-000	024-31107-000	024-31107-000	024-31107-000	024-31107-000	024-31107-000	024-31107-000	024-31107-000
	2	Compressor Contactor (System 2)	024-31106-000	024-31106-000	024-31106-000	024-31106-000	024-31106-000	024-31106-000	024-31106-000	024-31106-000
1C	4	Surge Suppressor	031-02203-000	031-02203-000	031-02203-000	031-02203-000	031-02203-000	031-02203-000	031-02203-000	031-02203-000
1E	4	Ground Lug	025-34455-000	025-34455-000	025-34455-000	025-34455-000	025-34455-000	025-34455-000	025-34455-000	025-34455-000
2	1	Transformer (115/24V)	025-30889-000	025-30889-000	025-30889-000	025-30889-000	025-30889-000	025-30889-000	025-30889-000	025-30889-000
	3	Single Point TB	N/A	N/A	N/A	025-38370-000	N/A	N/A	025-38370-000	N/A
2A	1	Single Point CB	N/A	N/A	N/A	N/A	N/A	025-34424-000	N/A	N/A
	1	Single Point NFDS	N/A	N/A	N/A	N/A	024-30964-000	N/A	N/A	024-30964-000
2B	1	SP Oper. Mech. (NFDS&CB)	N/A	N/A	N/A	N/A	024-31878-000	024-31878-000	N/A	024-31878-000
2C	1	Single Point Lug Kit	N/A	N/A	N/A	N/A	025-34481-000	025-34481-000	N/A	025-34481-000
2J	1	Ground Lug	N/A	N/A	N/A	025-34085-000	025-34085-000	025-34085-000	025-34089-000	025-34085-000
4	2	Transformer (4T & 5T)	025-27911-000	025-27911-000	025-27911-000	025-27911-000	025-27911-000	025-27911-000	025-27911-000	025-27911-000
	3	Terminal Block (System 1)	025-38363-000	N/A	N/A	N/A	N/A	N/A	N/A	N/A
	3	Terminal Block (System 2)	025-38363-000	N/A	N/A	N/A	N/A	N/A	N/A	N/A
4A	1	Circuit Breaker (System 1)	N/A	N/A	024-31820-000	N/A	N/A	N/A	024-31820-000	024-31820-000
	1	Circuit Breaker (System 2)	N/A	N/A	024-31649-000	N/A	N/A	N/A	024-31649-000	024-31649-000
	1	NF Disconnect Switch (System 1)	N/A	024-31871-000	N/A	N/A	N/A	N/A	N/A	N/A
	1	NF Disconnect Switch (System 2)	N/A	024-31888-000	N/A	N/A	N/A	N/A	N/A	N/A
4B	2	MP Oper. Mech. (NFDS&CB)	N/A	024-31878-000	024-31878-000	N/A	N/A	N/A	024-31878-000	024-31878-000
4C	1	Lug Kit (System 1)	N/A	025-34479-000	025-34480-000	N/A	N/A	N/A	025-34480-000	025-34480-000
	1	Lug Kit (System 2)	N/A	025-34479-000	025-34479-000	N/A	N/A	N/A	025-34479-000	025-34479-000
4J	1	Ground Lug (System 1)	025-34088-000	025-34085-000	025-34089-000	N/A	N/A	N/A	025-34089-000	025-34089-000
	1	Ground Lug (System 2)	025-34088-000	025-34089-000	025-34089-000	N/A	N/A	N/A	025-34089-000	025-34089-000
5	1	Transformer (3T)	025-18452-000	025-18452-000	025-18452-000	025-18452-000	025-18452-000	025-18452-000	025-18452-000	025-18452-000
5A	4	Surge Suppressor	031-02100-000	031-02100-000	031-02100-000	031-02100-000	031-02100-000	031-02100-000	031-02100-000	031-02100-000
5B ^s	4	Fan Contactor	024-34300-000	024-34300-000	024-34300-000	024-34300-000	024-34300-000	024-34300-000	024-34300-000	024-34300-000
5F ^s	4	Fan Overload	024-33170-000	024-33170-000	024-33170-000	024-33170-000	024-33170-000	024-33170-000	024-33170-000	024-33170-000
6	1	Bridge Rectifier	031-02201-000	031-02201-000	031-02201-000	031-02201-000	031-02201-000	031-02201-000	031-02201-000	031-02201-000
6A	2	Relay	024-31635-000	024-31635-000	024-31635-000	024-31635-000	024-31635-000	024-31635-000	024-31635-000	024-31635-000
	2	Surge Suppressor	024-33177-000	024-33177-000	024-33177-000	024-33177-000	024-33177-000	024-33177-000	024-33177-000	024-33177-000
6B	2	Surge Suppressor	031-00808-000	031-00808-000	031-00808-000	031-00808-000	031-00808-000	031-00808-000	031-00808-000	031-00808-000
7	1	Remote Current Reset	031-00814-000	031-00814-000	031-00814-000	031-00814-000	031-00814-000	031-00814-000	031-00814-000	031-00814-000
8A ^s	1	Micro Board	031-02050-001	031-02050-001	031-02050-001	031-02050-001	031-02050-001	031-02050-001	031-02050-001	031-02050-001
8B ^s	1	EPROM	031-02049-001	031-02049-001	031-02049-001	031-02049-001	031-02049-001	031-02049-001	031-02049-001	031-02049-001
10A	1	Fuse Holder	025-34484-000	025-34484-000	025-34484-000	025-34484-000	025-34484-000	025-34484-000	025-34484-000	025-34484-000
10B	1	Fuse	025-38360-000	025-38360-000	025-38360-000	025-38360-000	025-38360-000	025-38360-000	025-38360-000	025-38360-000

CONTROL PANEL AND POWER PANEL (CONT'D)

TABLE 7 (CONT'D) – CONTROL PANEL AND POWER PANEL COMPONENTS - YCAL0064-40 (SEE FIGS. 6-11, PAGES 22-28)

Item	Qty	Description	Multi-Point Sep Sys Term Blocks 371-04150-141	Multi-Point Sep Sys NF Disc. Sws. 371-04150-241	Multi-Point Sep Sys Circuit Brkrs 371-04150-331	Single Point Terminal Block 371-04150-431	Single Point Non-Fused Disc. Sw. 371-04150-531	Single Point Circuit Breaker 371-04150-631	Single Point TB w/ Sep Sys CBs 371-04150-731	Single Point NF Disc Sw w/ Sep Sys CBs 371-04150-831
1A	2	Compressor Contactor (System 1)	024-31818-000	024-31818-000	024-31818-000	024-31107-000	024-31107-000	024-31107-000	024-31818-000	024-31818-000
	2	Compressor Contactor (System 2)	024-31818-000	024-31818-000	024-31818-000	024-31107-000	024-31107-000	024-31107-000	024-31818-000	024-31818-000
1C	4	Surge Suppressor	031-02202-000	031-02202-000	031-02202-000	031-02203-000	031-02203-000	031-02203-000	031-02202-000	031-02202-000
1E	4	Ground Lug	025-34455-000	025-34455-000	025-34455-000	025-34455-000	025-34455-000	025-34455-000	025-34455-000	025-34455-000
2	1	Transformer (115/24V)	025-30889-000	025-30889-000	025-30889-000	025-30889-000	025-30889-000	025-30889-000	025-30889-000	025-30889-000
	3	Single Point TB	N/A	N/A	N/A	025-38363-000	N/A	N/A	025-38363-000	N/A
2A	1	Single Point CB	N/A	N/A	N/A	N/A	N/A	024-31820-000	N/A	N/A
	1	Single Point NFDS	N/A	N/A	N/A	N/A	024-30963-000	N/A	N/A	024-30963-000
2B	1	SP Oper. Mech. (NFDS&CB)	N/A	N/A	N/A	N/A	024-31878-000	024-31878-000	N/A	024-31878-000
2C	1	Single Point Lug Kit	N/A	N/A	N/A	N/A	025-34418-000	025-34480-000	N/A	025-34418-000
2J	1	Ground Lug	N/A	N/A	N/A	025-34088-000	025-34085-000	025-34089-000	025-34088-000	025-34085-000
4	2	Transformer (4T & 5T)	025-27911-000	025-27911-000	025-27911-000	025-27911-000	025-27911-000	025-27911-000	025-27911-000	025-27911-000
	3	Terminal Block (System 1)	025-38358-000	N/A	N/A	N/A	N/A	N/A	N/A	N/A
	3	Terminal Block (System 2)	025-38358-000	N/A	N/A	N/A	N/A	N/A	N/A	N/A
4A	1	Circuit Breaker (System 1)	N/A	N/A	024-31843-000	N/A	N/A	N/A	024-31843-000	024-31843-000
	1	Circuit Breaker (System 2)	N/A	N/A	024-31842-000	N/A	N/A	N/A	024-31842-000	024-31842-000
	1	NF Disconnect Switch (System 1)	N/A	024-31888-000	N/A	N/A	N/A	N/A	N/A	N/A
	1	NF Disconnect Switch (System 2)	N/A	024-31888-000	N/A	N/A	N/A	N/A	N/A	N/A
4B	2	MP Oper. Mech. (NFDS&CB)	N/A	024-31878-000	024-31878-000	N/A	N/A	N/A	024-31878-000	024-31878-000
4C	2	Lug Kit	N/A	025-34479-000	025-34478-000	N/A	N/A	N/A	025-34478-000	025-34478-000
4J	2	Ground Lug	025-34455-000	025-34089-000	025-34088-000	N/A	N/A	N/A	025-34088-000	025-34088-000
5	1	Transformer (3T)	025-18452-000	025-18452-000	025-18452-000	025-18452-000	025-18452-000	025-18452-000	025-18452-000	025-18452-000
5A	4	Surge Suppressor	031-02100-000	031-02100-000	031-02100-000	031-02100-000	031-02100-000	031-02100-000	031-02100-000	031-02100-000
5B ^s	4	Fan Contactor	024-34302-000	024-34302-000	024-34302-000	024-34302-000	024-34302-000	024-34302-000	024-34302-000	024-34302-000
5F ^s	4	Fan Overload	024-33169-000	024-33169-000	024-33169-000	024-33169-000	024-33169-000	024-33169-000	024-33169-000	024-33169-000
6	1	Bridge Rectifier	031-02201-000	031-02201-000	031-02201-000	031-02201-000	031-02201-000	031-02201-000	031-02201-000	031-02201-000
	2	Relay	024-31635-000	024-31635-000	024-31635-000	024-31635-000	024-31635-000	024-31635-000	024-31635-000	024-31635-000
6A	2	Relay	024-33177-000	024-33177-000	024-33177-000	024-33177-000	024-33177-000	024-33177-000	024-33177-000	024-33177-000
6B	2	Surge Suppressor	031-00808-000	031-00808-000	031-00808-000	031-00808-000	031-00808-000	031-00808-000	031-00808-000	031-00808-000
7	1	Remote Current Reset	031-00814-000	031-00814-000	031-00814-000	031-00814-000	031-00814-000	031-00814-000	031-00814-000	031-00814-000
8A ^s	1	Micro Board	031-02050-001	031-02050-001	031-02050-001	031-02050-001	031-02050-001	031-02050-001	031-02050-001	031-02050-001
8B ^s	1	EPROM	031-02049-001	031-02049-001	031-02049-001	031-02049-001	031-02049-001	031-02049-001	031-02049-001	031-02049-001
10A	1	Fuse Holder	025-34484-000	025-34484-000	025-34484-000	025-34484-000	025-34484-000	025-34484-000	025-34484-000	025-34484-000
10B	1	Fuse	025-38360-000	025-38360-000	025-38360-000	025-38360-000	025-38360-000	025-38360-000	025-38360-000	025-38360-000

CONTROL PANEL AND POWER PANEL (CONT'D)

TABLE 7 (CONT'D) – CONTROL PANEL AND POWER PANEL COMPONENTS - YCAL0064-46 (SEE FIGS. 6-11, PAGES 22-28)

Item	Qty	Description	Multi-Point Sep Sys Term Blocks 371-04150-141	Multi-Point Sep Sys NF Disc. Sws. 371-04150-241	Multi-Point Sep Sys Circuit Brkrs 371-04150-341	Single Point Terminal Block 371-04150-441	Single Point Non-Fused Disc. Sw. 371-04150-541	Single Point Circuit Breaker 371-04150-641	Single Point TB w/ Sep Sys CBs 371-04150-741	Single Point NF Disc Sw w/ Sep Sys CBs 371-04150-841
1A	2	Compressor Contactor (System 1)	024-31818-000	024-31818-000	024-31818-000	024-31818-000	024-31818-000	024-31818-000	024-31818-000	024-31818-000
	2	Compressor Contactor (System 2)	024-31818-000	024-31818-000	024-31818-000	024-31818-000	024-31818-000	024-31818-000	024-31818-000	024-31818-000
1C	4	Surge Suppressor	031-02202-000	031-02202-000	031-02202-000	031-02202-000	031-02202-000	031-02202-000	031-02202-000	031-02202-000
1E	4	Ground Lug	025-34455-000	025-34455-000	025-34455-000	025-34455-000	025-34455-000	025-34455-000	025-34455-000	025-34455-000
2	1	Transformer (115/24V)	025-30889-000	025-30889-000	025-30889-000	025-30889-000	025-30889-000	025-30889-000	025-30889-000	025-30889-000
	3	Single Point TB	N/A	N/A	N/A	025-38363-000	N/A	N/A	025-38363-000	N/A
2A	1	Single Point CB	N/A	N/A	N/A	N/A	N/A	024-31649-000	N/A	N/A
	1	Single Point NFDS	N/A	N/A	N/A	N/A	024-31888-000	N/A	N/A	024-31888-000
2B	1	SP Oper. Mech. (NFDS&CB)	N/A	N/A	N/A	N/A	024-31878-000	024-31879-000	N/A	024-31878-000
2C	1	Single Point Lug Kit	N/A	N/A	N/A	N/A	025-34479-000	025-34479-000	N/A	025-34479-000
2J	1	Ground Lug	N/A	N/A	N/A	025-34088-000	025-34089-000	025-34088-000	025-34088-000	025-34089-000
4	2	Transformer (4T & 5T)	025-27911-000	025-27911-000	025-27911-000	025-27911-000	025-27911-000	025-27911-000	025-27911-000	025-27911-000
	3	Terminal Block (System 1)	025-38358-000	N/A	N/A	N/A	N/A	N/A	N/A	N/A
	3	Terminal Block (System 2)	025-38358-000	N/A	N/A	N/A	N/A	N/A	N/A	N/A
4A	1	Circuit Breaker (System 1)	N/A	N/A	024-31842-000	N/A	N/A	N/A	024-31842-000	024-31842-000
	1	Circuit Breaker (System 2)	N/A	N/A	024-31840-000	N/A	N/A	N/A	024-31840-000	024-31840-000
	1	NF Disconnect Switch (System 1)	N/A	024-31888-000	N/A	N/A	N/A	N/A	N/A	N/A
	1	NF Disconnect Switch (System 2)	N/A	024-31888-000	N/A	N/A	N/A	N/A	N/A	N/A
4B	2	MP Oper. Mech. (NFDS&CB)	N/A	024-31878-000	024-31878-000	N/A	N/A	N/A	024-31878-000	024-31878-000
4C	1	Lug Kit	N/A	025-34479-000	025-34478-000	N/A	N/A	N/A	025-34478-000	025-34478-000
4J	1	Ground Lug	025-34455-000	025-34089-000	025-34088-000	N/A	N/A	N/A	025-34088-000	025-34088-000
5	1	Transformer (3T)	025-18452-000	025-18452-000	025-18452-000	025-18452-000	025-18452-000	025-18452-000	025-18452-000	025-18452-000
5A	4	Surge Suppressor	031-02100-000	031-02100-000	031-02100-000	031-02100-000	031-02100-000	031-02100-000	031-02100-000	031-02100-000
5B ^S	4	Fan Contactor	024-34302-000	024-34302-000	024-34302-000	024-34302-000	024-34302-000	024-34302-000	024-34302-000	024-34302-000
5F ^S	4	Fan Overload	024-33169-000	024-33169-000	024-33169-000	024-33169-000	024-33169-000	024-33169-000	024-33169-000	024-33169-000
6	1	Bridge Rectifier	031-02201-000	031-02201-000	031-02201-000	031-02201-000	031-02201-000	031-02201-000	031-02201-000	031-02201-000
6A	2	Relay	024-31635-000	024-31635-000	024-31635-000	024-31635-000	024-31635-000	024-31635-000	024-31635-000	024-31635-000
	2	Relay	024-33177-000	024-33177-000	024-33177-000	024-33177-000	024-33177-000	024-33177-000	024-33177-000	024-33177-000
6B	2	Surge Suppressor	031-00808-000	031-00808-000	031-00808-000	031-00808-000	031-00808-000	031-00808-000	031-00808-000	031-00808-000
7	1	Remote Current Reset	031-00814-000	031-00814-000	031-00814-000	031-00814-000	031-00814-000	031-00814-000	031-00814-000	031-00814-000
8A ^S	1	Micro Board	031-02050-001	031-02050-001	031-02050-001	031-02050-001	031-02050-001	031-02050-001	031-02050-001	031-02050-001
8B ^S	1	EPROM	031-02049-001	031-02049-001	031-02049-001	031-02049-001	031-02049-001	031-02049-001	031-02049-001	031-02049-001
10A	1	Fuse Holder	025-34484-000	025-34484-000	025-34484-000	025-34484-000	025-34484-000	025-34484-000	025-34484-000	025-34484-000
10B	1	Fuse	025-38360-000	025-38360-000	025-38360-000	025-38360-000	025-38360-000	025-38360-000	025-38360-000	025-38360-000

Control & Power Panel

CONTROL PANEL AND POWER PANEL (CONT'D)

TABLE 7 (CONT'D) – CONTROL PANEL AND POWER PANEL COMPONENTS - YCAL0064-58 (SEE FIGS. 6-11, PAGES 22-28)

Item	Qty	Description	Multi-Point Sep Sys Term Blocks 371-04150-151	Multi-Point Sep Sys NF Disc. Sws. 371-04150-251	Multi-Point Sep Sys Circuit Brkrs 371-04150-355	Single Point Terminal Block 371-04150-451	Single Point Non-Fused Disc. Sw. 371-04150-555	Single Point Circuit Breaker 371-04150-654	Single Point TB w/ Sep Sys CBs 371-04150-755	Single Point NF Disc Sw w/ Sep Sys CBs 371-04150-855
1A	3	Compressor Contactor (System 1)	024-31817-000	024-31817-000	024-31817-000	024-31818-000	024-31818-000	024-31818-000	024-31817-000	024-31817-000
	3	Compressor Contactor (System 2)	024-31817-000	024-31817-000	024-31817-000	024-31818-000	024-31818-000	024-31818-000	024-31817-000	024-31817-000
1C	6	Surge Suppressor	031-02202-000	031-02202-000	031-02202-000	031-02202-000	031-02202-000	031-02202-000	031-02202-000	031-02202-000
1E	6	Ground Lug	025-34455-000	025-34455-000	025-34455-000	025-34455-000	025-34455-000	025-34455-000	025-34455-000	025-34455-000
2	1	Transformer (115/24V)	025-30889-000	025-30889-000	025-30889-000	025-30889-000	025-30889-000	025-30889-000	025-30889-000	025-30889-000
	3	Single Point TB	N/A	N/A	N/A	025-38358-000	N/A	N/A	025-38358-000	N/A
2A	1	Single Point CB	N/A	N/A	N/A	N/A	N/A	024-31844-000	N/A	N/A
	1	Single Point NFDS	N/A	N/A	N/A	N/A	024-31888-000	N/A	N/A	024-31888-000
2B	1	SP Oper. Mech. (NFDS&CB)	N/A	N/A	N/A	N/A	024-31878-000	024-31878-000	N/A	024-31878-000
2C	1	Single Point Lug Kit	N/A	N/A	N/A	N/A	025-34479-000	025-34479-000	N/A	025-34479-000
2J	1	Ground Lug	N/A	N/A	N/A	025-34455-000	025-34089-000	025-34088-000	025-34455-000	025-34089-000
4	2	Transformer (4T & 5T)	025-27911-000	025-27911-000	025-27911-000	025-27911-000	025-27911-000	025-27911-000	025-27911-000	025-27911-000
	3	Terminal Block (System 1)	025-38358-000	N/A	N/A	N/A	N/A	N/A	N/A	N/A
	3	Terminal Block (System 2)	025-38358-000	N/A	N/A	N/A	N/A	N/A	N/A	N/A
4A	1	Circuit Breaker (System 1)	N/A	N/A	024-31843-000	N/A	N/A	N/A	024-31840-000	024-31840-000
	1	Circuit Breaker (System 2)	N/A	N/A	024-31839-000	N/A	N/A	N/A	024-31839-000	024-31839-000
	1	NF Disconnect Switch (System 1)	N/A	024-31888-000	N/A	N/A	N/A	N/A	N/A	N/A
	1	NF Disconnect Switch (System 2)	N/A	024-31888-000	N/A	N/A	N/A	N/A	N/A	N/A
4B	2	MP Oper. Mech. (NFDS&CB)	N/A	024-31878-000	024-31878-000	N/A	N/A	N/A	024-31878-000	024-31878-000
4C	1	Lug Kit (System 1)	N/A	025-34478-000	025-34478-000	N/A	N/A	N/A	025-34478-000	025-34478-000
	1	Lug Kit (System 2)	N/A	025-34477-000	025-34477-000	N/A	N/A	N/A	025-34477-000	025-34477-000
4J	1	Ground Lug (System 1)	025-34455-000	025-34088-000	025-34088-000	N/A	N/A	N/A	025-34088-000	025-34088-000
	1	Ground Lug (System 2)	025-34455-000	025-34455-000	025-34455-000	N/A	N/A	N/A	025-34455-000	025-34455-000
5	1	Transformer (3T)	025-18452-000	025-18452-000	025-18452-000	025-18452-000	025-18452-000	025-18452-000	025-18452-000	025-18452-000
5A	4	Surge Suppressor	031-02100-000	031-02100-000	031-02100-000	031-02100-000	031-02100-000	031-02100-000	031-02100-000	031-02100-000
5B ^s	4	Fan Contactor	024-34302-000	024-34302-000	024-34302-000	024-34302-000	024-34302-000	024-34302-000	024-34302-000	024-34302-000
5F ^s	4	Fan Overload	024-33168-000	024-33168-000	024-33168-000	024-33168-000	024-33168-000	024-33168-000	024-33168-000	024-33168-000
6	1	Bridge Rectifier	031-02201-000	031-02201-000	031-02201-000	031-02201-000	031-02201-000	031-02201-000	031-02201-000	031-02201-000
	2	Relay	024-31635-000	024-31635-000	024-31635-000	024-31635-000	024-31635-000	024-31635-000	024-31635-000	024-31635-000
6A	2		024-33177-000	024-33177-000	024-33177-000	024-33177-000	024-33177-000	024-33177-000	024-33177-000	024-33177-000
6B	2	Surge Suppressor	031-00808-000	031-00808-000	031-00808-000	031-00808-000	031-00808-000	031-00808-000	031-00808-000	031-00808-000
7	1	Remote Current Reset	031-00814-000	031-00814-000	031-00814-000	031-00814-000	031-00814-000	031-00814-000	031-00814-000	031-00814-000
8A ^s	1	Micro Board	031-02050-001	031-02050-001	031-02050-001	031-02050-001	031-02050-001	031-02050-001	031-02050-001	031-02050-001
8B ^s	1	EPROM	031-02049-001	031-02049-001	031-02049-001	031-02049-001	031-02049-001	031-02049-001	031-02049-001	031-02049-001
10A	1	Fuse Holder	025-34484-000	025-34484-000	025-34484-000	025-34484-000	025-34484-000	025-34484-000	025-34484-000	025-34484-000
10B	1	Fuse	025-38360-000	025-38360-000	025-38360-000	025-38360-000	025-38360-000	025-38360-000	025-38360-000	025-38360-000

CONTROL PANEL AND POWER PANEL (CONT'D)

TABLE 7 (CONT'D) – CONTROL PANEL AND POWER PANEL COMPONENTS - YCAL0070-17 & YCAL0070-28 (SEE FIGS. 6-11, PAGES 22-28)

Item	Qty	Description	Multi-Point Sep Sys Term Blocks 371-04150-122	Multi-Point Sep Sys NF Disc. Sws. 371-04150-222	Multi-Point Sep Sys Circuit Brkrs 371-04150-322	Single Point Terminal Block 371-04150-425	Single Point Non-Fused Disc. Sw. 371-04150-525	Single Point Circuit Breaker 371-04150-625	Single Point TB w/ Sep Sys CBs 371-04150-725	Single Point NF Disc Sw w/ Sep Sys CBs 371-04150-825
1A	3	Compressor Contactor (System 1)	024-31107-000	024-31107-000	024-31107-000	024-31107-000	024-31107-000	024-31107-000	024-31107-000	024-31107-000
	3	Compressor Contactor (System 2)	024-31107-000	024-31107-000	024-31107-000	024-31107-000	024-31107-000	024-31107-000	024-31107-000	024-31107-000
1C	6	Surge Suppressor	031-02203-000	031-02203-000	031-02203-000	031-02203-000	031-02203-000	031-02203-000	031-02203-000	031-02203-000
1E	6	Ground Lug	025-34455-000	025-34455-000	025-34455-000	025-34455-000	025-34455-000	025-34455-000	025-34455-000	025-34455-000
2	1	Transformer (115/24V)	025-30889-000	025-30889-000	025-30889-000	025-30889-000	025-30889-000	025-30889-000	025-30889-000	025-30889-000
	3	Single Point TB	N/A	N/A	N/A	025-38370-000	N/A	N/A	025-38370-000	N/A
2A	1	Single Point CB	N/A	N/A	N/A	N/A	N/A	025-34424-000	N/A	N/A
	1	Single Point NFDS	N/A	N/A	N/A	N/A	024-30964-000	N/A	N/A	024-30964-000
2B	1	SP Oper. Mech. (NFDS&CB)	N/A	N/A	N/A	N/A	024-31878-000	024-31878-000	N/A	024-31878-000
2C	1	Single Point Lug Kit	N/A	N/A	N/A	N/A	025-34481-000	025-34481-000	N/A	025-34481-000
2J	1	Ground Lug	N/A	N/A	N/A	025-34085-000	025-34085-000	025-34085-000	025-34089-000	025-34085-000
4	2	Transformer (4T & 5T)	025-27911-000	025-27911-000	025-27911-000	025-27911-000	025-27911-000	025-27911-000	025-27911-000	025-27911-000
	3	Terminal Block (System 1)	025-38363-000	N/A	N/A	N/A	N/A	N/A	N/A	N/A
	3	Terminal Block (System 2)	025-38363-000	N/A	N/A	N/A	N/A	N/A	N/A	N/A
4A	1	Circuit Breaker (System 1)	N/A	N/A	024-31820-000	N/A	N/A	N/A	024-31820-000	024-31820-000
	1	Circuit Breaker (System 2)	N/A	N/A	024-31820-000	N/A	N/A	N/A	024-31820-000	024-31820-000
	1	NF Disconnect Switch (System 1)	N/A	024-31871-000	N/A	N/A	N/A	N/A	N/A	N/A
	1	NF Disconnect Switch (System 2)	N/A	024-31871-000	N/A	N/A	N/A	N/A	N/A	N/A
4B	2	MP Oper. Mech. (NFDS&CB)	N/A	024-31878-000	024-31878-000	N/A	N/A	N/A	024-31878-000	024-31878-000
4C	2	Lug Kit	N/A	025-34480-000	025-34480-000	N/A	N/A	N/A	025-34480-000	025-34480-000
4J	2	Ground Lug (System 1)	025-34088-000	025-34085-000	025-34089-000	N/A	N/A	N/A	025-34089-000	025-34089-000
5	1	Transformer (3T)	025-18452-000	025-18452-000	025-18452-000	025-18452-000	025-18452-000	025-18452-000	025-18452-000	025-18452-000
5A	4	Surge Suppressor	031-02100-000	031-02100-000	031-02100-000	031-02100-000	031-02100-000	031-02100-000	031-02100-000	031-02100-000
5B^s	4	Fan Contactor	024-34300-000	024-34300-000	024-34300-000	024-34300-000	024-34300-000	024-34300-000	024-34300-000	024-34300-000
5F^s	4	Fan Overload	024-33170-000	024-33170-000	024-33170-000	024-33170-000	024-33170-000	024-33170-000	024-33170-000	024-33170-000
6	1	Bridge Rectifier	031-02201-000	031-02201-000	031-02201-000	031-02201-000	031-02201-000	031-02201-000	031-02201-000	031-02201-000
	2	Relay	024-31635-000	024-31635-000	024-31635-000	024-31635-000	024-31635-000	024-31635-000	024-31635-000	024-31635-000
6A	2		024-33177-000	024-33177-000	024-33177-000	024-33177-000	024-33177-000	024-33177-000	024-33177-000	024-33177-000
6B	2	Surge Suppressor	031-00808-000	031-00808-000	031-00808-000	031-00808-000	031-00808-000	031-00808-000	031-00808-000	031-00808-000
7	1	Remote Current Reset	031-00814-000	031-00814-000	031-00814-000	031-00814-000	031-00814-000	031-00814-000	031-00814-000	031-00814-000
8A^s	1	Micro Board	031-02050-001	031-02050-001	031-02050-001	031-02050-001	031-02050-001	031-02050-001	031-02050-001	031-02050-001
8B^s	1	EPROM	031-02049-001	031-02049-001	031-02049-001	031-02049-001	031-02049-001	031-02049-001	031-02049-001	031-02049-001
10A	1	Fuse Holder	025-34484-000	025-34484-000	025-34484-000	025-34484-000	025-34484-000	025-34484-000	025-34484-000	025-34484-000
10B	1	Fuse	025-38360-000	025-38360-000	025-38360-000	025-38360-000	025-38360-000	025-38360-000	025-38360-000	025-38360-000

Control & Power Panel

CONTROL PANEL AND POWER PANEL (CONT'D)

TABLE 7 (CONT'D) – CONTROL PANEL AND POWER PANEL COMPONENTS - YCAL0070-40 (SEE FIGS. 6-11, PAGES 22-28)

Item	Qty	Description	Multi-Point Sep Sys Term Blocks 371-04150-141	Multi-Point Sep Sys NF Disc. Sws. 371-04150-241	Multi-Point Sep Sys Circuit Brkrs 371-04150-332	Single Point Terminal Block 371-04150-431	Single Point Non-Fused Disc. Sw. 371-04150-531	Single Point Circuit Breaker 371-04150-631	Single Point TB w/ Sep Sys CBs 371-04150-732	Single Point NF Disc Sw w/ Sep Sys CBs 371-04150-832
1A	3	Compressor Contactor (System 1)	024-31818-000	024-31818-000	024-31818-000	024-31107-000	024-31107-000	024-31107-000	024-31818-000	024-31818-000
	3	Compressor Contactor (System 2)	024-31818-000	024-31818-000	024-31818-000	024-31107-000	024-31107-000	024-31107-000	024-31818-000	024-31818-000
1C	6	Surge Suppressor	031-02202-000	031-02202-000	031-02202-000	031-02203-000	031-02203-000	031-02203-000	031-02202-000	031-02202-000
1E	6	Ground Lug	025-34455-000	025-34455-000	025-34455-000	025-34455-000	025-34455-000	025-34455-000	025-34455-000	025-34455-000
2	1	Transformer (115/24V)	025-30889-000	025-30889-000	025-30889-000	025-30889-000	025-30889-000	025-30889-000	025-30889-000	025-30889-000
	3	Single Point TB	N/A	N/A	N/A	025-38363-000	N/A	N/A	025-38363-000	N/A
2A	1	Single Point CB	N/A	N/A	N/A	N/A	N/A	024-31820-000	N/A	N/A
	1	Single Point NFDS	N/A	N/A	N/A	N/A	024-30963-000	N/A	N/A	024-30963-000
2B	1	SP Oper. Mech. (NFDS&CB)	N/A	N/A	N/A	N/A	024-31878-000	024-31878-000	N/A	024-31878-000
2C	1	Single Point Lug Kit	N/A	N/A	N/A	N/A	025-34418-000	025-34480-000	N/A	025-34418-000
2J	1	Ground Lug	N/A	N/A	N/A	025-34088-000	025-34085-000	025-34089-000	025-34088-000	025-34085-000
4	2	Transformer (4T & 5T)	025-27911-000	025-27911-000	025-27911-000	025-27911-000	025-27911-000	025-27911-000	025-27911-000	025-27911-000
	3	Terminal Block (System 1)	025-38358-000	N/A	N/A	N/A	N/A	N/A	N/A	N/A
	3	Terminal Block (System 2)	025-38358-000	N/A	N/A	N/A	N/A	N/A	N/A	N/A
4A	1	Circuit Breaker (System 1)	N/A	N/A	024-31843-000	N/A	N/A	N/A	024-31843-000	024-31843-000
	1	Circuit Breaker (System 2)	N/A	N/A	024-31843-000	N/A	N/A	N/A	024-31843-000	024-31843-000
	1	NF Disconnect Switch (System 1)	N/A	024-31888-000	N/A	N/A	N/A	N/A	N/A	N/A
	1	NF Disconnect Switch (System 2)	N/A	024-31888-000	N/A	N/A	N/A	N/A	N/A	N/A
4B	2	MP Oper. Mech. (NFDS&CB)	N/A	024-31878-000	024-31878-000	N/A	N/A	N/A	024-31878-000	024-31878-000
4C	2	Lug Kit	N/A	025-34479-000	025-34478-000	N/A	N/A	N/A	025-34478-000	025-34478-000
4J	2	Ground Lug	025-34455-000	025-34089-000	025-34088-000	N/A	N/A	N/A	025-34088-000	025-34088-000
5	1	Transformer (3T)	025-18452-000	025-18452-000	025-18452-000	025-18452-000	025-18452-000	025-18452-000	025-18452-000	025-18452-000
5A	4	Surge Suppressor	031-02100-000	031-02100-000	031-02100-000	031-02100-000	031-02100-000	031-02100-000	031-02100-000	031-02100-000
5B ^s	4	Fan Contactor	024-34302-000	024-34302-000	024-34302-000	024-34302-000	024-34302-000	024-34302-000	024-34302-000	024-34302-000
5F ^s	4	Fan Overload	024-33169-000	024-33169-000	024-33169-000	024-33169-000	024-33169-000	024-33169-000	024-33169-000	024-33169-000
6	1	Bridge Rectifier	031-02201-000	031-02201-000	031-02201-000	031-02201-000	031-02201-000	031-02201-000	031-02201-000	031-02201-000
6A	2	Relay	024-31635-000	024-31635-000	024-31635-000	024-31635-000	024-31635-000	024-31635-000	024-31635-000	024-31635-000
6B	2	Surge Suppressor	024-33177-000	024-33177-000	024-33177-000	024-33177-000	024-33177-000	024-33177-000	024-33177-000	024-33177-000
7	1	Remote Current Reset	031-00808-000	031-00808-000	031-00808-000	031-00808-000	031-00808-000	031-00808-000	031-00808-000	031-00808-000
8A ^s	1	Micro Board	031-00814-000	031-00814-000	031-00814-000	031-00814-000	031-00814-000	031-00814-000	031-00814-000	031-00814-000
8B ^s	1	EPROM	031-02050-001	031-02050-001	031-02050-001	031-02050-001	031-02050-001	031-02050-001	031-02050-001	031-02050-001
10A	1	Fuse Holder	031-02049-001	031-02049-001	031-02049-001	031-02049-001	031-02049-001	031-02049-001	031-02049-001	031-02049-001
10B	1	Fuse	025-34484-000	025-34484-000	025-34484-000	025-34484-000	025-34484-000	025-34484-000	025-34484-000	025-34484-000
	1	Fuse	025-38360-000	025-38360-000	025-38360-000	025-38360-000	025-38360-000	025-38360-000	025-38360-000	025-38360-000

CONTROL PANEL AND POWER PANEL (CONT'D)

TABLE 7 (CONT'D) – CONTROL PANEL AND POWER PANEL COMPONENTS - YCAL0070-46 (SEE FIGS. 6-11, PAGES 22-28)

Item	Qty	Description	Multi-Point Sep Sys Term Blocks 371-04150-141	Multi-Point Sep Sys NF Disc. Sws. 371-04150-241	Multi-Point Sep Sys Circuit Brkrs 371-04150-342	Single Point Terminal Block 371-04150-441	Single Point Non-Fused Disc. Sw. 371-04150-542	Single Point Circuit Breaker 371-04150-641	Single Point TB w/ Sep Sys CBs 371-04150-742	Single Point NF Disc Sw w/ Sep Sys CBs 371-04150-842
1A	3	Compressor Contactor (System 1)	024-31818-000	024-31818-000	024-31818-000	024-31818-000	024-31818-000	024-31818-000	024-31818-000	024-31818-000
	3	Compressor Contactor (System 2)	024-31818-000	024-31818-000	024-31818-000	024-31818-000	024-31818-000	024-31818-000	024-31818-000	024-31818-000
1C	6	Surge Suppressor	031-02202-000	031-02202-000	031-02202-000	031-02202-000	031-02202-000	031-02202-000	031-02202-000	031-02202-000
1E	6	Ground Lug	025-34455-000	025-34455-000	025-34455-000	025-34455-000	025-34455-000	025-34455-000	025-34455-000	025-34455-000
2	1	Transformer (115/24V)	025-30889-000	025-30889-000	025-30889-000	025-30889-000	025-30889-000	025-30889-000	025-30889-000	025-30889-000
	3	Single Point TB	N/A	N/A	N/A	025-38363-000	N/A	N/A	025-38363-000	N/A
2A	1	Single Point CB	N/A	N/A	N/A	N/A	N/A	024-31649-000	N/A	N/A
	1	Single Point NFDS	N/A	N/A	N/A	N/A	024-30963-000	N/A	N/A	024-30963-000
2B	1	SP Oper. Mech. (NFDS&CB)	N/A	N/A	N/A	N/A	024-31878-000	024-31879-000	N/A	024-31878-000
2C	1	Single Point Lug Kit	N/A	N/A	N/A	N/A	025-34418-000	025-34479-000	N/A	025-34418-000
2J	1	Ground Lug	N/A	N/A	N/A	025-34088-000	025-34085-000	025-34089-000	025-34088-000	025-34085-000
4	2	Transformer (4T & 5T)	025-27911-000	025-27911-000	025-27911-000	025-27911-000	025-27911-000	025-27911-000	025-27911-000	025-27911-000
	3	Terminal Block (System 1)	025-38358-000	N/A	N/A	N/A	N/A	N/A	N/A	N/A
	3	Terminal Block (System 2)	025-38358-000	N/A	N/A	N/A	N/A	N/A	N/A	N/A
4A	1	Circuit Breaker (System 1)	N/A	N/A	024-31842-000	N/A	N/A	N/A	024-31842-000	024-31842-000
	1	Circuit Breaker (System 2)	N/A	N/A	024-31842-000	N/A	N/A	N/A	024-31842-000	024-31842-000
	1	NF Disconnect Switch (System 1)	N/A	024-31888-000	N/A	N/A	N/A	N/A	N/A	N/A
	1	NF Disconnect Switch (System 2)	N/A	024-31888-000	N/A	N/A	N/A	N/A	N/A	N/A
4B	2	MP Oper. Mech. (NFDS&CB)	N/A	024-31878-000	024-31878-000	N/A	N/A	N/A	024-31878-000	024-31878-000
4C	1	Lug Kit	N/A	025-34479-000	025-34478-000	N/A	N/A	N/A	025-34478-000	025-34478-000
4J	1	Ground Lug	025-34455-000	025-34089-000	025-34088-000	N/A	N/A	N/A	025-34088-000	025-34088-000
5	1	Transformer (3T)	025-18452-000	025-18452-000	025-18452-000	025-18452-000	025-18452-000	025-18452-000	025-18452-000	025-18452-000
5A	4	Surge Suppressor	031-02100-000	031-02100-000	031-02100-000	031-02100-000	031-02100-000	031-02100-000	031-02100-000	031-02100-000
5B ^S	4	Fan Contactor	024-34302-000	024-34302-000	024-34302-000	024-34302-000	024-34302-000	024-34302-000	024-34302-000	024-34302-000
5F ^S	4	Fan Overload	024-33169-000	024-33169-000	024-33169-000	024-33169-000	024-33169-000	024-33169-000	024-33169-000	024-33169-000
6	1	Bridge Rectifier	031-02201-000	031-02201-000	031-02201-000	031-02201-000	031-02201-000	031-02201-000	031-02201-000	031-02201-000
	2	Relay	024-31635-000	024-31635-000	024-31635-000	024-31635-000	024-31635-000	024-31635-000	024-31635-000	024-31635-000
6A	2	Relay	024-33177-000	024-33177-000	024-33177-000	024-33177-000	024-33177-000	024-33177-000	024-33177-000	024-33177-000
6B	2	Surge Suppressor	031-00808-000	031-00808-000	031-00808-000	031-00808-000	031-00808-000	031-00808-000	031-00808-000	031-00808-000
7	1	Remote Current Reset	031-00814-000	031-00814-000	031-00814-000	031-00814-000	031-00814-000	031-00814-000	031-00814-000	031-00814-000
8A ^S	1	Micro Board	031-02050-001	031-02050-001	031-02050-001	031-02050-001	031-02050-001	031-02050-001	031-02050-001	031-02050-001
8B ^S	1	EPROM	031-02049-001	031-02049-001	031-02049-001	031-02049-001	031-02049-001	031-02049-001	031-02049-001	031-02049-001
10A	1	Fuse Holder	025-34484-000	025-34484-000	025-34484-000	025-34484-000	025-34484-000	025-34484-000	025-34484-000	025-34484-000
10B	1	Fuse	025-38360-000	025-38360-000	025-38360-000	025-38360-000	025-38360-000	025-38360-000	025-38360-000	025-38360-000

Control & Power Panel

CONTROL PANEL AND POWER PANEL (CONT'D)

63 TABLE 7 (CONT'D) – CONTROL PANEL AND POWER PANEL COMPONENTS - YCAL0070-58 (SEE FIGS. 6-11, PAGES 22-28)

Item	Qty	Description	Multi-Point Sep Sys Term Blocks 371-04150-151	Multi-Point Sep Sys NF Disc. Sws. 371-04150-252	Multi-Point Sep Sys Circuit Brkrs 371-04150-352	Single Point Terminal Block 371-04150-451	Single Point Non-Fused Disc. Sw. 371-04150-551	Single Point Circuit Breaker 371-04150-651	Single Point TB w/ Sep Sys CBs 371-04150-752	Single Point NF Disc Sw w/ Sep Sys CBs 371-04150-852
1A	3	Compressor Contactor (System 1)	024-31817-000	024-31817-000	024-31817-000	024-31818-000	024-31818-000	024-31818-000	024-31817-000	024-31817-000
	3	Compressor Contactor (System 2)	024-31817-000	024-31817-000	024-31817-000	024-31818-000	024-31818-000	024-31818-000	024-31817-000	024-31817-000
1C	6	Surge Suppressor	031-02202-000	031-02202-000	031-02202-000	031-02202-000	031-02202-000	031-02202-000	031-02202-000	031-02202-000
1E	6	Ground Lug	025-34455-000	025-34455-000	025-34455-000	025-34455-000	025-34455-000	025-34455-000	025-34455-000	025-34455-000
2	1	Transformer (115/24V)	025-30889-000	025-30889-000	025-30889-000	025-30889-000	025-30889-000	025-30889-000	025-30889-000	025-30889-000
	3	Single Point TB	N/A	N/A	N/A	025-38358-000	N/A	N/A	025-38358-000	N/A
2A	1	Single Point CB	N/A	N/A	N/A	N/A	N/A	024-31844-000	N/A	N/A
	1	Single Point NFDS	N/A	N/A	N/A	N/A	024-31888-000	N/A	N/A	024-31888-000
2B	1	SP Oper. Mech. (NFDS&CB)	N/A	N/A	N/A	N/A	024-31878-000	024-31878-000	N/A	024-31878-000
2C	1	Single Point Lug Kit	N/A	N/A	N/A	N/A	025-34479-000	025-34479-000	N/A	025-34479-000
2J	1	Ground Lug	N/A	N/A	N/A	025-34455-000	025-34089-000	025-34088-000	025-34455-000	025-34089-000
4	2	Transformer (4T & 5T)	025-27911-000	025-27911-000	025-27911-000	025-27911-000	025-27911-000	025-27911-000	025-27911-000	025-27911-000
	3	Terminal Block (System 1)	025-38358-000	N/A	N/A	N/A	N/A	N/A	N/A	N/A
	3	Terminal Block (System 2)	025-38358-000	N/A	N/A	N/A	N/A	N/A	N/A	N/A
4A	1	Circuit Breaker (System 1)	N/A	N/A	024-31840-000	N/A	N/A	N/A	024-31840-000	024-31840-000
	1	Circuit Breaker (System 2)	N/A	N/A	024-31840-000	N/A	N/A	N/A	024-31840-000	024-31840-000
	1	NF Disconnect Switch (System 1)	N/A	024-31888-000	N/A	N/A	N/A	N/A	N/A	N/A
	1	NF Disconnect Switch (System 2)	N/A	024-31888-000	N/A	N/A	N/A	N/A	N/A	N/A
4B	2	MP Oper. Mech. (NFDS&CB)	N/A	024-31878-000	024-31878-000	N/A	N/A	N/A	024-31878-000	024-31878-000
4C	2	Lug Kit	N/A	025-34479-000	025-34478-000	N/A	N/A	N/A	025-34478-000	025-34478-000
4J	2	Ground Lug	025-34455-000	025-34089-000	025-34088-000	N/A	N/A	N/A	025-34088-000	025-34088-000
5	1	Transformer (3T)	025-18452-000	025-18452-000	025-18452-000	025-18452-000	025-18452-000	025-18452-000	025-18452-000	025-18452-000
5A	4	Surge Suppressor	031-02100-000	031-02100-000	031-02100-000	031-02100-000	031-02100-000	031-02100-000	031-02100-000	031-02100-000
5B ^S	4	Fan Contactor	024-34302-000	024-34302-000	024-34302-000	024-34302-000	024-34302-000	024-34302-000	024-34302-000	024-34302-000
5F ^S	4	Fan Overload	024-33168-000	024-33168-000	024-33168-000	024-33168-000	024-33168-000	024-33168-000	024-33168-000	024-33168-000
6	1	Bridge Rectifier	031-02201-000	031-02201-000	031-02201-000	031-02201-000	031-02201-000	031-02201-000	031-02201-000	031-02201-000
6A	2	Relay	024-31635-000	024-31635-000	024-31635-000	024-31635-000	024-31635-000	024-31635-000	024-31635-000	024-31635-000
	2	Relay	024-33177-000	024-33177-000	024-33177-000	024-33177-000	024-33177-000	024-33177-000	024-33177-000	024-33177-000
6B	2	Surge Suppressor	031-00808-000	031-00808-000	031-00808-000	031-00808-000	031-00808-000	031-00808-000	031-00808-000	031-00808-000
7	1	Remote Current Reset	031-00814-000	031-00814-000	031-00814-000	031-00814-000	031-00814-000	031-00814-000	031-00814-000	031-00814-000
8A ^S	1	Micro Board	031-02050-001	031-02050-001	031-02050-001	031-02050-001	031-02050-001	031-02050-001	031-02050-001	031-02050-001
8B ^S	1	EPROM	031-02049-001	031-02049-001	031-02049-001	031-02049-001	031-02049-001	031-02049-001	031-02049-001	031-02049-001
10A	1	Fuse Holder	025-34484-000	025-34484-000	025-34484-000	025-34484-000	025-34484-000	025-34484-000	025-34484-000	025-34484-000
10B	1	Fuse	025-38360-000	025-38360-000	025-38360-000	025-38360-000	025-38360-000	025-38360-000	025-38360-000	025-38360-000

CONTROL PANEL AND POWER PANEL (CONT'D)

TABLE 7 (CONT'D) – CONTROL PANEL AND POWER PANEL COMPONENTS - YCAL0074-17 & YCAL0074-28 (SEE FIGS. 6-11, PAGES 22-28)

Item	Qty	Description	Multi-Point Sep Sys Term Blocks 371-04150-123	Multi-Point Sep Sys NF Disc. Sws. 371-04150-223	Multi-Point Sep Sys Circuit Brkrs 371-04150-323	Single Point Terminal Block 371-04150-723	Single Point Non-Fused Disc. Sw. 371-04150-823	Single Point Circuit Breaker 371-04150-821	Single Point TB w/ Sep Sys CBs 371-04150-723	Single Point NF Disc Sw w/ Sep Sys CBs 371-04150-823
1A	3	Compressor Contactor (System 1)	024-31640-000	024-31640-000	024-31640-000	024-31640-000	024-31640-000	024-31640-000	024-31640-000	024-31640-000
	3	Compressor Contactor (System 2)	024-31107-000	024-31107-000	024-31107-000	024-31107-000	024-31107-000	024-31107-000	024-31107-000	024-31107-000
1C	6	Surge Suppressor	031-02203-000	031-02203-000	031-02203-000	031-02203-000	031-02203-000	031-02203-000	031-02203-000	031-02203-000
1E	6	Ground Lug	025-34455-000	025-34455-000	025-34455-000	025-34455-000	025-34455-000	025-34455-000	025-34455-000	025-34455-000
2	1	Transformer (115/24V)	025-30889-000	025-30889-000	025-30889-000	025-30889-000	025-30889-000	025-30889-000	025-30889-000	025-30889-000
	3	Single Point TB	N/A	N/A	N/A	025-38370-000	N/A	N/A	025-38370-000	N/A
2A	1	Single Point CB	N/A	N/A	N/A	N/A	N/A	025-34424-000	N/A	N/A
	1	Single Point NFDS	N/A	N/A	N/A	N/A	024-30964-000	N/A	N/A	024-30964-000
2B	1	SP Oper. Mech. (NFDS&CB)	N/A	N/A	N/A	N/A	024-31878-000	024-31878-000	N/A	024-31878-000
2C	1	Single Point Lug Kit	N/A	N/A	N/A	N/A	025-34481-000	025-34481-000	N/A	025-34481-000
2J	1	Ground Lug	N/A	N/A	N/A	025-34085-000	025-34085-000	025-34085-000	025-34089-000	025-34085-000
4	2	Transformer (4T & 5T)	025-27911-000	025-27911-000	025-27911-000	025-27911-000	025-27911-000	025-27911-000	025-27911-000	025-27911-000
	3	Terminal Block (System 1)	025-38363-000	N/A	N/A	N/A	N/A	N/A	N/A	N/A
	3	Terminal Block (System 2)	025-38363-000	N/A	N/A	N/A	N/A	N/A	N/A	N/A
4A	1	Circuit Breaker (System 1)	N/A	N/A	024-31851-000	N/A	N/A	N/A	024-31851-000	024-31851-000
	1	Circuit Breaker (System 2)	N/A	N/A	024-31820-000	N/A	N/A	N/A	024-31820-000	024-31820-000
	1	NF Disconnect Switch (System 1)	N/A	024-31871-000	N/A	N/A	N/A	N/A	N/A	N/A
	1	NF Disconnect Switch (System 2)	N/A	024-31871-000	N/A	N/A	N/A	N/A	N/A	N/A
4B	2	MP Oper. Mech. (NFDS&CB)	N/A	024-31878-000	024-31878-000	N/A	N/A	N/A	024-31878-000	024-31878-000
4C	2	Lug Kit	N/A	025-34480-000	025-34480-000	N/A	N/A	N/A	025-34480-000	025-34480-000
4J	2	Ground Lug (System 1)	025-34088-000	025-34085-000	025-34089-000	N/A	N/A	N/A	025-34089-000	025-34089-000
5	1	Transformer (3T)	025-18452-000	025-18452-000	025-18452-000	025-18452-000	025-18452-000	025-18452-000	025-18452-000	025-18452-000
5A	4	Surge Suppressor	031-02100-000	031-02100-000	031-02100-000	031-02100-000	031-02100-000	031-02100-000	031-02100-000	031-02100-000
5B^s	4	Fan Contactor	024-34300-000	024-34300-000	024-34300-000	024-34300-000	024-34300-000	024-34300-000	024-34300-000	024-34300-000
5F^s	4	Fan Overload	024-33170-000	024-33170-000	024-33170-000	024-33170-000	024-33170-000	024-33170-000	024-33170-000	024-33170-000
6	1	Bridge Rectifier	031-02201-000	031-02201-000	031-02201-000	031-02201-000	031-02201-000	031-02201-000	031-02201-000	031-02201-000
6A	2	Relay	024-31635-000	024-31635-000	024-31635-000	024-31635-000	024-31635-000	024-31635-000	024-31635-000	024-31635-000
	2		024-33177-000	024-33177-000	024-33177-000	024-33177-000	024-33177-000	024-33177-000	024-33177-000	024-33177-000
6B	2	Surge Suppressor	031-00808-000	031-00808-000	031-00808-000	031-00808-000	031-00808-000	031-00808-000	031-00808-000	031-00808-000
7	1	Remote Current Reset	031-00814-000	031-00814-000	031-00814-000	031-00814-000	031-00814-000	031-00814-000	031-00814-000	031-00814-000
8A^s	1	Micro Board	031-02050-001	031-02050-001	031-02050-001	031-02050-001	031-02050-001	031-02050-001	031-02050-001	031-02050-001
8B^s	1	EPROM	031-02049-001	031-02049-001	031-02049-001	031-02049-001	031-02049-001	031-02049-001	031-02049-001	031-02049-001
10A	1	Fuse Holder	025-34484-000	025-34484-000	025-34484-000	025-34484-000	025-34484-000	025-34484-000	025-34484-000	025-34484-000
10B	1	Fuse	025-38360-000	025-38360-000	025-38360-000	025-38360-000	025-38360-000	025-38360-000	025-38360-000	025-38360-000

Control & Power Panel

CONTROL PANEL AND POWER PANEL (CONT'D)

TABLE 7 (CONT'D) – CONTROL PANEL AND POWER PANEL COMPONENTS - YCAL0074-40 (SEE FIGS. 6-11, PAGES 22-28)

Item	Qty	Description	Multi-Point Sep Sys Term Blocks 371-04150-133	Multi-Point Sep Sys NF Disc. Sws. 371-04150-233	Multi-Point Sep Sys Circuit Brkrs 371-04150-333	Single Point Terminal Block 371-04150-433	Single Point Non-Fused Disc. Sw. 371-04150-531	Single Point Circuit Breaker 371-04150-633	Single Point TB w/ Sep Sys CBs 371-04150-733	Single Point NF Disc Sw w/ Sep Sys CBs 371-04150-833
1A	3	Compressor Contactor (System 1)	024-31813-000	024-31813-000	024-31813-000	024-31107-000	024-31107-000	024-31107-000	024-31813-000	024-31813-000
	3	Compressor Contactor (System 2)	024-31818-000	024-31818-000	024-31818-000	024-31107-000	024-31107-000	024-31107-000	024-31818-000	024-31818-000
1C	6	Surge Suppressor	031-02202-000	031-02202-000	031-02202-000	031-02203-000	031-02203-000	031-02203-000	031-02202-000	031-02202-000
1E	6	Ground Lug	025-34455-000	025-34455-000	025-34455-000	025-34455-000	025-34455-000	025-34455-000	025-34455-000	025-34455-000
2	1	Transformer (115/24V)	025-30889-000	025-30889-000	025-30889-000	025-30889-000	025-30889-000	025-30889-000	025-30889-000	025-30889-000
	3	Single Point TB	N/A	N/A	N/A	025-38364-000	N/A	N/A	025-38364-000	N/A
2A	1	Single Point CB	N/A	N/A	N/A	N/A	N/A	024-31851-000	N/A	N/A
	1	Single Point NFDS	N/A	N/A	N/A	N/A	024-30963-000	N/A	N/A	024-30963-000
2B	1	SP Oper. Mech. (NFDS&CB)	N/A	N/A	N/A	N/A	024-31878-000	024-31878-000	N/A	024-31878-000
2C	1	Single Point Lug Kit	N/A	N/A	N/A	N/A	025-34418-000	025-34480-000	N/A	025-34418-000
2J	1	Ground Lug	N/A	N/A	N/A	025-34088-000	025-34085-000	025-34089-000	025-34088-000	025-34085-000
4	2	Transformer (4T & 5T)	025-27911-000	025-27911-000	025-27911-000	025-27911-000	025-27911-000	025-27911-000	025-27911-000	025-27911-000
	3	Terminal Block (System 1)	025-38358-000	N/A	N/A	N/A	N/A	N/A	N/A	N/A
	3	Terminal Block (System 2)	025-38358-000	N/A	N/A	N/A	N/A	N/A	N/A	N/A
4A	1	Circuit Breaker (System 1)	N/A	N/A	024-31844-000	N/A	N/A	N/A	024-31844-000	024-31844-000
	1	Circuit Breaker (System 2)	N/A	N/A	024-31843-000	N/A	N/A	N/A	024-31843-000	024-31843-000
	1	NF Disconnect Switch (System 1)	N/A	024-31888-000	N/A	N/A	N/A	N/A	N/A	N/A
	1	NF Disconnect Switch (System 2)	N/A	024-31888-000	N/A	N/A	N/A	N/A	N/A	N/A
4B	2	MP Oper. Mech. (NFDS&CB)	N/A	024-31878-000	024-31878-000	N/A	N/A	N/A	024-31878-000	024-31878-000
4C	1	Lug Kitt (System 1)	N/A	025-34479-000	025-34479-000	N/A	N/A	N/A	025-34479-000	025-34479-000
	1	Lug Kitt (System 2)	N/A	025-34479-000	025-34478-000	N/A	N/A	N/A	025-34478-000	025-34478-000
4J	2	Ground Lug	025-34455-000	025-34089-000	025-34088-000	N/A	N/A	N/A	025-34088-000	025-34088-000
5	1	Transformer (3T)	025-18452-000	025-18452-000	025-18452-000	025-18452-000	025-18452-000	025-18452-000	025-18452-000	025-18452-000
5A	4	Surge Suppressor	031-02100-000	031-02100-000	031-02100-000	031-02100-000	031-02100-000	031-02100-000	031-02100-000	031-02100-000
5B ^S	4	Fan Contactor	024-34302-000	024-34302-000	024-34302-000	024-34302-000	024-34302-000	024-34302-000	024-34302-000	024-34302-000
5F ^S	4	Fan Overload	024-33169-000	024-33169-000	024-33169-000	024-33169-000	024-33169-000	024-33169-000	024-33169-000	024-33169-000
6	1	Bridge Rectifier	031-02201-000	031-02201-000	031-02201-000	031-02201-000	031-02201-000	031-02201-000	031-02201-000	031-02201-000
	2	Relay	024-31635-000	024-31635-000	024-31635-000	024-31635-000	024-31635-000	024-31635-000	024-31635-000	024-31635-000
6A	2	Relay	024-33177-000	024-33177-000	024-33177-000	024-33177-000	024-33177-000	024-33177-000	024-33177-000	024-33177-000
6B	2	Surge Suppressor	031-00808-000	031-00808-000	031-00808-000	031-00808-000	031-00808-000	031-00808-000	031-00808-000	031-00808-000
7	1	Remote Current Reset	031-00814-000	031-00814-000	031-00814-000	031-00814-000	031-00814-000	031-00814-000	031-00814-000	031-00814-000
8A ^S	1	Micro Board	031-02050-001	031-02050-001	031-02050-001	031-02050-001	031-02050-001	031-02050-001	031-02050-001	031-02050-001
8B ^S	1	EPROM	031-02049-001	031-02049-001	031-02049-001	031-02049-001	031-02049-001	031-02049-001	031-02049-001	031-02049-001
10A	1	Fuse Holder	025-34484-000	025-34484-000	025-34484-000	025-34484-000	025-34484-000	025-34484-000	025-34484-000	025-34484-000
10B	1	Fuse	025-38360-000	025-38360-000	025-38360-000	025-38360-000	025-38360-000	025-38360-000	025-38360-000	025-38360-000

CONTROL PANEL AND POWER PANEL (CONT'D)

TABLE 7 (CONT'D) – CONTROL PANEL AND POWER PANEL COMPONENTS - YCAL0074-46 (SEE FIGS. 6-11, PAGES 22-28)

Item	Qty	Description	Multi-Point Sep Sys Term Blocks 371-04150-141	Multi-Point Sep Sys NF Disc. Sws. 371-04150-241	Multi-Point Sep Sys Circuit Brkrs 371-04150-331	Single Point Terminal Block 371-04150-431	Single Point Non-Fused Disc. Sw. 371-04150-531	Single Point Circuit Breaker 371-04150-631	Single Point TB w/ Sep Sys CBs 371-04150-731	Single Point NF Disc Sw w/ Sep Sys CBs 371-04150-831
1A	3	Compressor Contactor (System 1)	024-31818-000	024-31818-000	024-31818-000	024-31107-000	024-31107-000	024-31107-000	024-31818-000	024-31818-000
	3	Compressor Contactor (System 2)	024-31818-000	024-31818-000	024-31818-000	024-31107-000	024-31107-000	024-31107-000	024-31818-000	024-31818-000
1C	6	Surge Suppressor	031-02202-000	031-02202-000	031-02202-000	031-02203-000	031-02203-000	031-02203-000	031-02202-000	031-02202-000
1E	6	Ground Lug	025-34455-000	025-34455-000	025-34455-000	025-34455-000	025-34455-000	025-34455-000	025-34455-000	025-34455-000
2	1	Transformer (115/24V)	025-30889-000	025-30889-000	025-30889-000	025-30889-000	025-30889-000	025-30889-000	025-30889-000	025-30889-000
	3	Single Point TB	N/A	N/A	N/A	025-38363-000	N/A	N/A	025-38363-000	N/A
2A	1	Single Point CB	N/A	N/A	N/A	N/A	N/A	024-31820-000	N/A	N/A
	1	Single Point NFDS	N/A	N/A	N/A	N/A	024-30963-000	N/A	N/A	024-33442-000
2B	1	SP Oper. Mech. (NFDS&CB)	N/A	N/A	N/A	N/A	024-31878-000	024-31879-000	N/A	024-33444-000
2C	1	Single Point Lug Kit	N/A	N/A	N/A	N/A	025-34418-000	025-34480-000	N/A	025-34418-000
2J	1	Ground Lug	N/A	N/A	N/A	025-34088-000	025-34085-000	025-34089-000	025-34088-000	025-34085-000
4	2	Transformer (4T & 5T)	025-27911-000	025-27911-000	025-27911-000	025-27911-000	025-27911-000	025-27911-000	025-27911-000	025-27911-000
	3	Terminal Block (System 1)	025-38358-000	N/A	N/A	N/A	N/A	N/A	N/A	N/A
	3	Terminal Block (System 2)	025-38358-000	N/A	N/A	N/A	N/A	N/A	N/A	N/A
4A	1	Circuit Breaker (System 1)	N/A	N/A	024-31843-000	N/A	N/A	N/A	024-31843-000	024-31843-000
	1	Circuit Breaker (System 2)	N/A	N/A	024-31842-000	N/A	N/A	N/A	024-31842-000	024-31842-000
	1	NF Disconnect Switch (System 1)	N/A	024-31888-000	N/A	N/A	N/A	N/A	N/A	N/A
	1	NF Disconnect Switch (System 2)	N/A	024-31888-000	N/A	N/A	N/A	N/A	N/A	N/A
4B	2	MP Oper. Mech. (NFDS&CB)	N/A	024-31878-000	024-31878-000	N/A	N/A	N/A	024-31878-000	024-31878-000
4C	1	Lug Kit	N/A	025-34479-000	025-34478-000	N/A	N/A	N/A	025-34478-000	025-34478-000
4J	1	Ground Lug	025-34455-000	025-34089-000	025-34088-000	N/A	N/A	N/A	025-34088-000	025-34088-000
5	1	Transformer (3T)	025-18452-000	025-18452-000	025-18452-000	025-18452-000	025-18452-000	025-18452-000	025-18452-000	025-18452-000
5A	4	Surge Suppressor	031-02100-000	031-02100-000	031-02100-000	031-02100-000	031-02100-000	031-02100-000	031-02100-000	031-02100-000
5B ^S	4	Fan Contactor	024-34302-000	024-34302-000	024-34302-000	024-34302-000	024-34302-000	024-34302-000	024-34302-000	024-34302-000
5F ^S	4	Fan Overload	024-33169-000	024-33169-000	024-33169-000	024-33169-000	024-33169-000	024-33169-000	024-33169-000	024-33169-000
6	1	Bridge Rectifier	031-02201-000	031-02201-000	031-02201-000	031-02201-000	031-02201-000	031-02201-000	031-02201-000	031-02201-000
	2	Relay	024-31635-000	024-31635-000	024-31635-000	024-31635-000	024-31635-000	024-31635-000	024-31635-000	024-31635-000
6A	2	Surge Suppressor	024-33177-000	024-33177-000	024-33177-000	024-33177-000	024-33177-000	024-33177-000	024-33177-000	024-33177-000
6B	2	Surge Suppressor	031-00808-000	031-00808-000	031-00808-000	031-00808-000	031-00808-000	031-00808-000	031-00808-000	031-00808-000
7	1	Remote Current Reset	031-00814-000	031-00814-000	031-00814-000	031-00814-000	031-00814-000	031-00814-000	031-00814-000	031-00814-000
8A ^S	1	Micro Board	031-02050-001	031-02050-001	031-02050-001	031-02050-001	031-02050-001	031-02050-001	031-02050-001	031-02050-001
8B ^S	1	EPROM	031-02049-001	031-02049-001	031-02049-001	031-02049-001	031-02049-001	031-02049-001	031-02049-001	031-02049-001
10A	1	Fuse Holder	025-34484-000	025-34484-000	025-34484-000	025-34484-000	025-34484-000	025-34484-000	025-34484-000	025-34484-000
10B	1	Fuse	025-38360-000	025-38360-000	025-38360-000	025-38360-000	025-38360-000	025-38360-000	025-38360-000	025-38360-000

Control & Power Panel

CONTROL PANEL AND POWER PANEL (CONT'D)

TABLE 7 (CONT'D) – CONTROL PANEL AND POWER PANEL COMPONENTS - YCAL0074-58 (SEE FIGS. 6-11, PAGES 22-28)

Item	Qty	Description	Multi-Point Sep Sys Term Blocks 371-04150-151	Multi-Point Sep Sys NF Disc. Sws. 371-04150-252	Multi-Point Sep Sys Circuit Brkrs 371-04150-353	Single Point Terminal Block 371-04150-453	Single Point Non-Fused Disc. Sw. 371-04150-551	Single Point Circuit Breaker 371-04150-651	Single Point TB w/ Sep Sys CBs 371-04150-753	Single Point NF Disc Sw w/ Sep Sys CBs 371-04150-853
1A	3	Compressor Contactor (System 1)	024-31817-000	024-31817-000	024-31817-000	024-31818-000	024-31818-000	024-31818-000	024-31817-000	024-31817-000
	3	Compressor Contactor (System 2)	024-31817-000	024-31817-000	024-31817-000	024-31818-000	024-31818-000	024-31818-000	024-31817-000	024-31817-000
1C	6	Surge Suppressor	031-02202-000	031-02202-000	031-02202-000	031-02202-000	031-02202-000	031-02202-000	031-02202-000	031-02202-000
1E	6	Ground Lug	025-34455-000	025-34455-000	025-34455-000	025-34455-000	025-34455-000	025-34455-000	025-34455-000	025-34455-000
2	1	Transformer (115/24V)	025-30889-000	025-30889-000	025-30889-000	025-30889-000	025-30889-000	025-30889-000	025-30889-000	025-30889-000
	3	Single Point TB	N/A	N/A	N/A	025-38363-000	N/A	N/A	025-38363-000	N/A
2A	1	Single Point CB	N/A	N/A	N/A	N/A	N/A	024-31844-000	N/A	N/A
	1	Single Point NFDS	N/A	N/A	N/A	N/A	024-31888-000	N/A	N/A	024-31888-000
2B	1	SP Oper. Mech. (NFDS&CB)	N/A	N/A	N/A	N/A	024-31878-000	024-31878-000	N/A	024-31878-000
2C	1	Single Point Lug Kit	N/A	N/A	N/A	N/A	025-34479-000	025-34479-000	N/A	025-34479-000
2J	1	Ground Lug	N/A	N/A	N/A	025-34088-000	025-34089-000	025-34088-000	025-34088-000	025-34089-000
4	2	Transformer (4T & 5T)	025-27911-000	025-27911-000	025-27911-000	025-27911-000	025-27911-000	025-27911-000	025-27911-000	025-27911-000
	3	Terminal Block (System 1)	025-38358-000	N/A	N/A	N/A	N/A	N/A	N/A	N/A
	3	Terminal Block (System 2)	025-38358-000	N/A	N/A	N/A	N/A	N/A	N/A	N/A
4A	1	Circuit Breaker (System 1)	N/A	N/A	024-31841-000	N/A	N/A	N/A	024-31841-000	024-31841-000
	1	Circuit Breaker (System 2)	N/A	N/A	024-31840-000	N/A	N/A	N/A	024-31840-000	024-31840-000
	1	NF Disconnect Switch (System 1)	N/A	024-31888-000	N/A	N/A	N/A	N/A	N/A	N/A
	1	NF Disconnect Switch (System 2)	N/A	024-31888-000	N/A	N/A	N/A	N/A	N/A	N/A
4B	2	MP Oper. Mech. (NFDS&CB)	N/A	024-31878-000	024-31878-000	N/A	N/A	N/A	024-31878-000	024-31878-000
4C	2	Lug Kit	N/A	025-34479-000	025-34478-000	N/A	N/A	N/A	025-34478-000	025-34478-000
4J	2	Ground Lug	025-34455-000	025-34089-000	025-34088-000	N/A	N/A	N/A	025-34088-000	025-34088-000
5	1	Transformer (3T)	025-18452-000	025-18452-000	025-18452-000	025-18452-000	025-18452-000	025-18452-000	025-18452-000	025-18452-000
5A	4	Surge Suppressor	031-02100-000	031-02100-000	031-02100-000	031-02100-000	031-02100-000	031-02100-000	031-02100-000	031-02100-000
5B ^s	4	Fan Contactor	024-34302-000	024-34302-000	024-34302-000	024-34302-000	024-34302-000	024-34302-000	024-34302-000	024-34302-000
5F ^s	4	Fan Overload	024-33168-000	024-33168-000	024-33168-000	024-33168-000	024-33168-000	024-33168-000	024-33168-000	024-33168-000
6	1	Bridge Rectifier	031-02201-000	031-02201-000	031-02201-000	031-02201-000	031-02201-000	031-02201-000	031-02201-000	031-02201-000
	2	Relay	024-31635-000	024-31635-000	024-31635-000	024-31635-000	024-31635-000	024-31635-000	024-31635-000	024-31635-000
6A	2	Relay	024-33177-000	024-33177-000	024-33177-000	024-33177-000	024-33177-000	024-33177-000	024-33177-000	024-33177-000
6B	2	Surge Suppressor	031-00808-000	031-00808-000	031-00808-000	031-00808-000	031-00808-000	031-00808-000	031-00808-000	031-00808-000
7	1	Remote Current Reset	031-00814-000	031-00814-000	031-00814-000	031-00814-000	031-00814-000	031-00814-000	031-00814-000	031-00814-000
8A ^s	1	Micro Board	031-02050-001	031-02050-001	031-02050-001	031-02050-001	031-02050-001	031-02050-001	031-02050-001	031-02050-001
8B ^s	1	EPROM	031-02049-001	031-02049-001	031-02049-001	031-02049-001	031-02049-001	031-02049-001	031-02049-001	031-02049-001
10A	1	Fuse Holder	025-34484-000	025-34484-000	025-34484-000	025-34484-000	025-34484-000	025-34484-000	025-34484-000	025-34484-000
10B	1	Fuse	025-38360-000	025-38360-000	025-38360-000	025-38360-000	025-38360-000	025-38360-000	025-38360-000	025-38360-000

CONTROL PANEL AND POWER PANEL (CONT'D)

TABLE 7 (CONT'D) – CONTROL PANEL AND POWER PANEL COMPONENTS - YCAL0080-17 & YCAL0080-28 (SEE FIGS. 6-11, PAGES 22-28)

Item	Qty	Description	Multi-Point Sep Sys Term Blocks 371-04150-123	Multi-Point Sep Sys NF Disc. Sws. 371-04150-223	Multi-Point Sep Sys Circuit Brkrs 371-04150-323	Single Point Terminal Block 371-04150-723	Single Point Non-Fused Disc. Sw. 371-04150-823	Single Point Circuit Breaker 371-04150-621	Single Point TB w/ Sep Sys CBs 371-04150-723	Single Point NF Disc Sw w/ Sep Sys CBs 371-04150-823
1A	3	Compressor Contactor (System 1)	024-31640-000	024-31640-000	024-31640-000	024-31640-000	024-31640-000	024-31640-000	024-31640-000	024-31640-000
	3	Compressor Contactor (System 2)	024-31640-000	024-31640-000	024-31640-000	024-31640-000	024-31640-000	024-31640-000	024-31640-000	024-31640-000
1C	6	Surge Suppressor	031-02203-000	031-02203-000	031-02203-000	031-02203-000	031-02203-000	031-02203-000	031-02203-000	031-02203-000
1E	6	Ground Lug	025-34455-000	025-34455-000	025-34455-000	025-34455-000	025-34455-000	025-34455-000	025-34455-000	025-34455-000
2	1	Transformer (115/24V)	025-30889-000	025-30889-000	025-30889-000	025-30889-000	025-30889-000	025-30889-000	025-30889-000	025-30889-000
	3	Single Point TB	N/A	N/A	N/A	025-38370-000	N/A	N/A	025-38370-000	N/A
2A	1	Single Point CB	N/A	N/A	N/A	N/A	N/A	025-34424-000	N/A	N/A
	1	Single Point NFDS	N/A	N/A	N/A	N/A	024-30964-000	N/A	N/A	024-30964-000
2B	1	SP Oper. Mech. (NFDS&CB)	N/A	N/A	N/A	N/A	024-31878-000	024-31878-000	N/A	024-31878-000
2C	1	Single Point Lug Kit	N/A	N/A	N/A	N/A	025-34481-000	025-34481-000	N/A	025-34481-000
2J	1	Ground Lug	N/A	N/A	N/A	025-34085-000	025-34085-000	025-34085-000	025-34085-000	025-34085-000
4	2	Transformer (4T & 5T)	025-27911-000	025-27911-000	025-27911-000	025-27911-000	025-27911-000	025-27911-000	025-27911-000	025-27911-000
	3	Terminal Block (System 1)	025-38363-000	N/A	N/A	N/A	N/A	N/A	N/A	N/A
	3	Terminal Block (System 2)	025-38363-000	N/A	N/A	N/A	N/A	N/A	N/A	N/A
4A	1	Circuit Breaker (System 1)	N/A	N/A	024-31851-000	N/A	N/A	N/A	024-31851-000	024-31851-000
	1	Circuit Breaker (System 2)	N/A	N/A	024-31851-000	N/A	N/A	N/A	024-31851-000	024-31851-000
	1	NF Disconnect Switch (System 1)	N/A	024-31871-000	N/A	N/A	N/A	N/A	N/A	N/A
	1	NF Disconnect Switch (System 2)	N/A	024-31871-000	N/A	N/A	N/A	N/A	N/A	N/A
4B	2	MP Oper. Mech. (NFDS&CB)	N/A	024-31878-000	024-31878-000	N/A	N/A	N/A	024-31878-000	024-31878-000
4C	2	Lug Kit	N/A	025-34480-000	025-34480-000	N/A	N/A	N/A	025-34480-000	025-34480-000
4J	2	Ground Lug (System 1)	025-34088-000	025-34085-000	025-34089-000	N/A	N/A	N/A	025-34089-000	025-34089-000
5	1	Transformer (3T)	025-18452-000	025-18452-000	025-18452-000	025-18452-000	025-18452-000	025-18452-000	025-18452-000	025-18452-000
5A	4	Surge Suppressor	031-02100-000	031-02100-000	031-02100-000	031-02100-000	031-02100-000	031-02100-000	031-02100-000	031-02100-000
5B ^S	4	Fan Contactor	024-34300-000	024-34300-000	024-34300-000	024-34300-000	024-34300-000	024-34300-000	024-34300-000	024-34300-000
5F ^S	4	Fan Overload	024-33170-000	024-33170-000	024-33170-000	024-33170-000	024-33170-000	024-33170-000	024-33170-000	024-33170-000
6	1	Bridge Rectifier	031-02201-000	031-02201-000	031-02201-000	031-02201-000	031-02201-000	031-02201-000	031-02201-000	031-02201-000
	2	Relay	024-31635-000	024-31635-000	024-31635-000	024-31635-000	024-31635-000	024-31635-000	024-31635-000	024-31635-000
6A	2	Relay	024-33177-000	024-33177-000	024-33177-000	024-33177-000	024-33177-000	024-33177-000	024-33177-000	024-33177-000
6B	2	Surge Suppressor	031-00808-000	031-00808-000	031-00808-000	031-00808-000	031-00808-000	031-00808-000	031-00808-000	031-00808-000
7	1	Remote Current Reset	031-00814-000	031-00814-000	031-00814-000	031-00814-000	031-00814-000	031-00814-000	031-00814-000	031-00814-000
8A ^S	1	Micro Board	031-02050-001	031-02050-001	031-02050-001	031-02050-001	031-02050-001	031-02050-001	031-02050-001	031-02050-001
8B ^S	1	EPROM	031-02049-001	031-02049-001	031-02049-001	031-02049-001	031-02049-001	031-02049-001	031-02049-001	031-02049-001
10A	1	Fuse Holder	025-34484-000	025-34484-000	025-34484-000	025-34484-000	025-34484-000	025-34484-000	025-34484-000	025-34484-000
10B	1	Fuse	025-38360-000	025-38360-000	025-38360-000	025-38360-000	025-38360-000	025-38360-000	025-38360-000	025-38360-000

CONTROL PANEL AND POWER PANEL (CONT'D)

TABLE 7 (CONT'D) – CONTROL PANEL AND POWER PANEL COMPONENTS - YCAL0080-40 (SEE FIGS. 6-11, PAGES 22-28)

Item	Qty	Description	Multi-Point Sep Sys Term Blocks 371-04150-134	Multi-Point Sep Sys NF Disc. Sws. 371-04150-234	Multi-Point Sep Sys Circuit Brkrs 371-04150-334	Single Point Terminal Block 371-04150-433	Single Point Non-Fused Disc. Sw. 371-04150-531	Single Point Circuit Breaker 371-04150-634	Single Point TB w/ Sep Sys CBs 371-04150-734	Single Point NF Disc Sw w/ Sep Sys CBs 371-04150-834
1A	3	Compressor Contactor (System 1)	024-31813-000	024-31813-000	024-31813-000	024-31107-000	024-31107-000	024-31107-000	024-31813-000	024-31813-000
	3	Compressor Contactor (System 2)	024-31813-000	024-31813-000	024-31813-000	024-31107-000	024-31107-000	024-31107-000	024-31813-000	024-31813-000
1C	6	Surge Suppressor	031-02202-000	031-02202-000	031-02202-000	031-02203-000	031-02203-000	031-02203-000	031-02202-000	031-02202-000
1E	6	Ground Lug	025-34455-000	025-34455-000	025-34455-000	025-34455-000	025-34455-000	025-34455-000	025-34455-000	025-34455-000
2	1	Transformer (115/24V)	025-30889-000	025-30889-000	025-30889-000	025-30889-000	025-30889-000	025-30889-000	025-30889-000	025-30889-000
	3	Single Point TB	N/A	N/A	N/A	025-38364-000	N/A	N/A	025-38364-000	N/A
2A	1	Single Point CB	N/A	N/A	N/A	N/A	N/A	024-31819-000	N/A	N/A
	1	Single Point NFDS	N/A	N/A	N/A	N/A	024-30963-000	N/A	N/A	024-30963-000
2B	1	SP Oper. Mech. (NFDS&CB)	N/A	N/A	N/A	N/A	024-31878-000	024-31878-000	N/A	024-31878-000
2C	1	Single Point Lug Kit	N/A	N/A	N/A	N/A	025-34418-000	025-34480-000	N/A	025-34418-000
2J	1	Ground Lug	N/A	N/A	N/A	025-34089-000	025-34085-000	025-34085-000	025-34089-000	025-34085-000
4	2	Transformer (4T & 5T)	025-27911-000	025-27911-000	025-27911-000	025-27911-000	025-27911-000	025-27911-000	025-27911-000	025-27911-000
	3	Terminal Block (System 1)	025-38358-000	N/A	N/A	N/A	N/A	N/A	N/A	N/A
	3	Terminal Block (System 2)	025-38358-000	N/A	N/A	N/A	N/A	N/A	N/A	N/A
4A	1	Circuit Breaker (System 1)	N/A	N/A	024-31844-000	N/A	N/A	N/A	024-31844-000	024-31844-000
	1	Circuit Breaker (System 2)	N/A	N/A	024-31844-000	N/A	N/A	N/A	024-31844-000	024-31844-000
	1	NF Disconnect Switch (System 1)	N/A	024-31888-000	N/A	N/A	N/A	N/A	N/A	N/A
	1	NF Disconnect Switch (System 2)	N/A	024-31888-000	N/A	N/A	N/A	N/A	N/A	N/A
4B	2	MP Oper. Mech. (NFDS&CB)	N/A	024-31878-000	024-31878-000	N/A	N/A	N/A	024-31878-000	024-31878-000
4C	2	Lug Kitt	N/A	025-34479-000	025-34479-000	N/A	N/A	N/A	025-34479-000	025-34479-000
4J	2	Ground Lug	025-34455-000	025-34089-000	025-34088-000	N/A	N/A	N/A	025-34088-000	025-34088-000
5	1	Transformer (3T)	025-18452-000	025-18452-000	025-18452-000	025-18452-000	025-18452-000	025-18452-000	025-18452-000	025-18452-000
5A	4	Surge Suppressor	031-02100-000	031-02100-000	031-02100-000	031-02100-000	031-02100-000	031-02100-000	031-02100-000	031-02100-000
5B ^S	4	Fan Contactor	024-34302-000	024-34302-000	024-34302-000	024-34302-000	024-34302-000	024-34302-000	024-34302-000	024-34302-000
5F ^S	4	Fan Overload	024-33169-000	024-33169-000	024-33169-000	024-33169-000	024-33169-000	024-33169-000	024-33169-000	024-33169-000
6	1	Bridge Rectifier	031-02201-000	031-02201-000	031-02201-000	031-02201-000	031-02201-000	031-02201-000	031-02201-000	031-02201-000
	2	Relay	024-31635-000	024-31635-000	024-31635-000	024-31635-000	024-31635-000	024-31635-000	024-31635-000	024-31635-000
6A	2	Relay	024-33177-000	024-33177-000	024-33177-000	024-33177-000	024-33177-000	024-33177-000	024-33177-000	024-33177-000
6B	2	Surge Suppressor	031-00808-000	031-00808-000	031-00808-000	031-00808-000	031-00808-000	031-00808-000	031-00808-000	031-00808-000
7	1	Remote Current Reset	031-00814-000	031-00814-000	031-00814-000	031-00814-000	031-00814-000	031-00814-000	031-00814-000	031-00814-000
8A ^S	1	Micro Board	031-02050-001	031-02050-001	031-02050-001	031-02050-001	031-02050-001	031-02050-001	031-02050-001	031-02050-001
8B ^S	1	EPROM	031-02049-001	031-02049-001	031-02049-001	031-02049-001	031-02049-001	031-02049-001	031-02049-001	031-02049-001
10A	1	Fuse Holder	025-34484-000	025-34484-000	025-34484-000	025-34484-000	025-34484-000	025-34484-000	025-34484-000	025-34484-000
10B	1	Fuse	025-38360-000	025-38360-000	025-38360-000	025-38360-000	025-38360-000	025-38360-000	025-38360-000	025-38360-000

CONTROL PANEL AND POWER PANEL (CONT'D)

TABLE 7 (CONT'D) – CONTROL PANEL AND POWER PANEL COMPONENTS - YCAL0080-46 (SEE FIGS. 6-11, PAGES 22-28)

Item	Qty	Description	Multi-Point Sep Sys Term Blocks 371-04150-141	Multi-Point Sep Sys NF Disc. Sws. 371-04150-241	Multi-Point Sep Sys Circuit Brkrs 371-04150-332	Single Point Terminal Block 371-04150-431	Single Point Non-Fused Disc. Sw. 371-04150-531	Single Point Circuit Breaker 371-04150-631	Single Point TB w/ Sep Sys CBs 371-04150-732	Single Point NF Disc Sw w/ Sep Sys CBs 371-04150-832
1A	3	Compressor Contactor (System 1)	024-31818-000	024-31818-000	024-31818-000	024-31107-000	024-31107-000	024-31107-000	024-31818-000	024-31818-000
	3	Compressor Contactor (System 2)	024-31818-000	024-31818-000	024-31818-000	024-31107-000	024-31107-000	024-31107-000	024-31818-000	024-31818-000
1C	6	Surge Suppressor	031-02202-000	031-02202-000	031-02202-000	031-02203-000	031-02203-000	031-02203-000	031-02202-000	031-02202-000
1E	6	Ground Lug	025-34455-000	025-34455-000	025-34455-000	025-34455-000	025-34455-000	025-34455-000	025-34455-000	025-34455-000
2	1	Transformer (115/24V)	025-30889-000	025-30889-000	025-30889-000	025-30889-000	025-30889-000	025-30889-000	025-30889-000	025-30889-000
	3	Single Point TB	N/A	N/A	N/A	025-38363-000	N/A	N/A	025-38363-000	N/A
2A	1	Single Point CB	N/A	N/A	N/A	N/A	N/A	024-31820-000	N/A	N/A
	1	Single Point NFDS	N/A	N/A	N/A	N/A	024-30963-000	N/A	N/A	024-30963-000
2B	1	SP Oper. Mech. (NFDS&CB)	N/A	N/A	N/A	N/A	024-31878-000	024-31878-000	N/A	024-31878-000
2C	1	Single Point Lug Kit	N/A	N/A	N/A	N/A	025-34418-000	025-34418-000	N/A	025-34418-000
2J	1	Ground Lug	N/A	N/A	N/A	025-34088-000	025-34085-000	025-34089-000	025-34088-000	025-34085-000
4	2	Transformer (4T & 5T)	025-27911-000	025-27911-000	025-27911-000	025-27911-000	025-27911-000	025-27911-000	025-27911-000	025-27911-000
	3	Terminal Block (System 1)	025-38358-000	N/A	N/A	N/A	N/A	N/A	N/A	N/A
	3	Terminal Block (System 2)	025-38358-000	N/A	N/A	N/A	N/A	N/A	N/A	N/A
4A	1	Circuit Breaker (System 1)	N/A	N/A	024-31843-000	N/A	N/A	N/A	024-31843-000	024-31843-000
	1	Circuit Breaker (System 2)	N/A	N/A	024-31843-000	N/A	N/A	N/A	024-31843-000	024-31843-000
	1	NF Disconnect Switch (System 1)	N/A	024-31888-000	N/A	N/A	N/A	N/A	N/A	N/A
	1	NF Disconnect Switch (System 2)	N/A	024-31888-000	N/A	N/A	N/A	N/A	N/A	N/A
4B	2	MP Oper. Mech. (NFDS&CB)	N/A	024-31878-000	024-31878-000	N/A	N/A	N/A	024-31878-000	024-31878-000
4C	1	Lug Kit	N/A	025-34479-000	025-34478-000	N/A	N/A	N/A	025-34478-000	025-34478-000
4J	1	Ground Lug	025-34455-000	025-34089-000	025-34088-000	N/A	N/A	N/A	025-34088-000	025-34088-000
5	1	Transformer (3T)	025-18452-000	025-18452-000	025-18452-000	025-18452-000	025-18452-000	025-18452-000	025-18452-000	025-18452-000
5A	4	Surge Suppressor	031-02100-000	031-02100-000	031-02100-000	031-02100-000	031-02100-000	031-02100-000	031-02100-000	031-02100-000
5B ^S	4	Fan Contactor	024-34302-000	024-34302-000	024-34302-000	024-34302-000	024-34302-000	024-34302-000	024-34302-000	024-34302-000
5F ^S	4	Fan Overload	024-33169-000	024-33169-000	024-33169-000	024-33169-000	024-33169-000	024-33169-000	024-33169-000	024-33169-000
6	1	Bridge Rectifier	031-02201-000	031-02201-000	031-02201-000	031-02201-000	031-02201-000	031-02201-000	031-02201-000	031-02201-000
	2	Relay	024-31635-000	024-31635-000	024-31635-000	024-31635-000	024-31635-000	024-31635-000	024-31635-000	024-31635-000
6A	2	Relay	024-33177-000	024-33177-000	024-33177-000	024-33177-000	024-33177-000	024-33177-000	024-33177-000	024-33177-000
6B	2	Surge Suppressor	031-00808-000	031-00808-000	031-00808-000	031-00808-000	031-00808-000	031-00808-000	031-00808-000	031-00808-000
7	1	Remote Current Reset	031-00814-000	031-00814-000	031-00814-000	031-00814-000	031-00814-000	031-00814-000	031-00814-000	031-00814-000
8A ^S	1	Micro Board	031-02050-001	031-02050-001	031-02050-001	031-02050-001	031-02050-001	031-02050-001	031-02050-001	031-02050-001
8B ^S	1	EPROM	031-02049-001	031-02049-001	031-02049-001	031-02049-001	031-02049-001	031-02049-001	031-02049-001	031-02049-001
10A	1	Fuse Holder	025-34484-000	025-34484-000	025-34484-000	025-34484-000	025-34484-000	025-34484-000	025-34484-000	025-34484-000
10B	1	Fuse	025-38360-000	025-38360-000	025-38360-000	025-38360-000	025-38360-000	025-38360-000	025-38360-000	025-38360-000

Control & Power Panel

CONTROL PANEL AND POWER PANEL (CONT'D)

TABLE 7 (CONT'D) – CONTROL PANEL AND POWER PANEL COMPONENTS - YCAL0080-58 (SEE FIGS. 6-11, PAGES 22-28)

Item	Qty	Description	Multi-Point Sep Sys Term Blocks 371-04150-151	Multi-Point Sep Sys NF Disc. Sws. 371-04150-252	Multi-Point Sep Sys Circuit Brkrs 371-04150-354	Single Point Terminal Block 371-04150-453	Single Point Non-Fused Disc. Sw. 371-04150-551	Single Point Circuit Breaker 371-04150-654	Single Point TB w/ Sep Sys CBs 371-04150-754	Single Point NF Disc Sw w/ Sep Sys CBs 371-04150-854
1A	3	Compressor Contactor (System 1)	024-31817-000	024-31817-000	024-31817-000	024-31818-000	024-31818-000	024-31818-000	024-31817-000	024-31817-000
	3	Compressor Contactor (System 2)	024-31817-000	024-31817-000	024-31817-000	024-31818-000	024-31818-000	024-31818-000	024-31817-000	024-31817-000
1C	6	Surge Suppressor	031-02202-000	031-02202-000	031-02202-000	031-02202-000	031-02202-000	031-02202-000	031-02202-000	031-02202-000
1E	6	Ground Lug	025-34455-000	025-34455-000	025-34455-000	025-34455-000	025-34455-000	025-34455-000	025-34455-000	025-34455-000
2	1	Transformer (115/24V)	025-30889-000	025-30889-000	025-30889-000	025-30889-000	025-30889-000	025-30889-000	025-30889-000	025-30889-000
	3	Single Point TB	N/A	N/A	N/A	025-38363-000	N/A	N/A	025-38363-000	N/A
2A	1	Single Point CB	N/A	N/A	N/A	N/A	N/A	024-31649-000	N/A	N/A
	1	Single Point NFDS	N/A	N/A	N/A	N/A	024-31888-000	N/A	N/A	024-30964-000
2B	1	SP Oper. Mech. (NFDS&CB)	N/A	N/A	N/A	N/A	024-31878-000	024-31878-000	N/A	024-31878-000
2C	1	Single Point Lug Kit	N/A	N/A	N/A	N/A	025-34479-000	025-34479-000	N/A	025-34479-000
2J	1	Ground Lug	N/A	N/A	N/A	025-34088-000	025-34089-000	025-34089-000	025-34088-000	025-34085-000
4	2	Transformer (4T & 5T)	025-27911-000	025-27911-000	025-27911-000	025-27911-000	025-27911-000	025-27911-000	025-27911-000	025-27911-000
	3	Terminal Block (System 1)	025-38358-000	N/A	N/A	N/A	N/A	N/A	N/A	N/A
	3	Terminal Block (System 2)	025-38358-000	N/A	N/A	N/A	N/A	N/A	N/A	N/A
4A	1	Circuit Breaker (System 1)	N/A	N/A	024-31841-000	N/A	N/A	N/A	024-31841-000	024-31841-000
	1	Circuit Breaker (System 2)	N/A	N/A	024-31841-000	N/A	N/A	N/A	024-31841-000	024-31841-000
	1	NF Disconnect Switch (System 1)	N/A	024-31888-000	N/A	N/A	N/A	N/A	N/A	N/A
	1	NF Disconnect Switch (System 2)	N/A	024-31888-000	N/A	N/A	N/A	N/A	N/A	N/A
4B	2	MP Oper. Mech. (NFDS&CB)	N/A	024-31878-000	024-31878-000	N/A	N/A	N/A	024-31878-000	024-31878-000
4C	2	Lug Kit	N/A	025-34479-000	025-34478-000	N/A	N/A	N/A	025-34478-000	025-34478-000
4J	2	Ground Lug	025-34455-000	025-34089-000	025-34088-000	N/A	N/A	N/A	025-34088-000	025-34088-000
5	1	Transformer (3T)	025-18452-000	025-18452-000	025-18452-000	025-18452-000	025-18452-000	025-18452-000	025-18452-000	025-18452-000
5A	4	Surge Suppressor	031-02100-000	031-02100-000	031-02100-000	031-02100-000	031-02100-000	031-02100-000	031-02100-000	031-02100-000
5B ^S	4	Fan Contactor	024-34302-000	024-34302-000	024-34302-000	024-34302-000	024-34302-000	024-34302-000	024-34302-000	024-34302-000
5F ^S	4	Fan Overload	024-33168-000	024-33168-000	024-33168-000	024-33168-000	024-33168-000	024-33168-000	024-33168-000	024-33168-000
6	1	Bridge Rectifier	031-02201-000	031-02201-000	031-02201-000	031-02201-000	031-02201-000	031-02201-000	031-02201-000	031-02201-000
	2	Relay	024-31635-000	024-31635-000	024-31635-000	024-31635-000	024-31635-000	024-31635-000	024-31635-000	024-31635-000
6A	2	Relay	024-33177-000	024-33177-000	024-33177-000	024-33177-000	024-33177-000	024-33177-000	024-33177-000	024-33177-000
6B	2	Surge Suppressor	031-00808-000	031-00808-000	031-00808-000	031-00808-000	031-00808-000	031-00808-000	031-00808-000	031-00808-000
7	1	Remote Current Reset	031-00814-000	031-00814-000	031-00814-000	031-00814-000	031-00814-000	031-00814-000	031-00814-000	031-00814-000
8A ^S	1	Micro Board	031-02050-001	031-02050-001	031-02050-001	031-02050-001	031-02050-001	031-02050-001	031-02050-001	031-02050-001
8B ^S	1	EPROM	031-02049-001	031-02049-001	031-02049-001	031-02049-001	031-02049-001	031-02049-001	031-02049-001	031-02049-001
10A	1	Fuse Holder	025-34484-000	025-34484-000	025-34484-000	025-34484-000	025-34484-000	025-34484-000	025-34484-000	025-34484-000
10B	1	Fuse	025-38360-000	025-38360-000	025-38360-000	025-38360-000	025-38360-000	025-38360-000	025-38360-000	025-38360-000

SENSOR HARNESSES

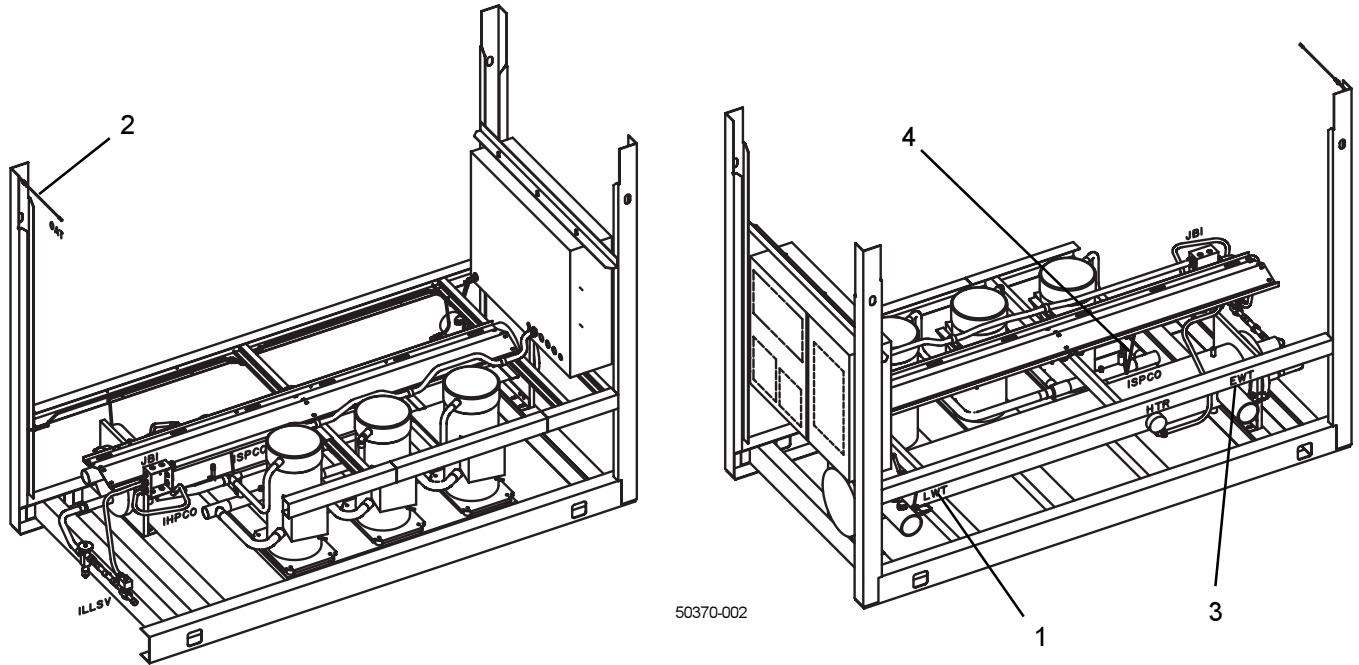


FIG. 12A – SENSOR HARNESS - YCAL0014-YCAL0034 (REF. TABLE 8A)

TABLE 8A – SENSOR HARNESS - YCAL0014-YCAL0034 (SEE FIG. 12A)

BOARD LOCATION	CABLE NO.	LENGTH IN INCHES	WIRE COLOR	PLUG PIN NO.	FUNCTION	HARNESS ASSEMBLY PART NUMBER
MICRO P4	4	140"	RED	5	SYS #1 SUCTION PRESSURE	375-30434-401
			WHT	10		
			BLK	1		
			DRAIN	2		
(Optional Kit)	6	204"	RED	7	SYS #1 DISCHARGE PRESSURE	375-30432-403
			WHT	12		
			BLK	8		
			DRAIN	9		
MICRO P6	1	60"	BLK	5	LEAVING CHILLED WATER TEMP	375-30434-405
			RED	8		
	3	140"	DRAIN	2	ENTERING CHILLED WATER TEMP	375-30434-407
			BLK	6		
	2	192"	RED	9	OUTSIDE AIR TEMP.	375-30434-406
			DRAIN	3		
MICRO P5	115	138"	BLK	4	SYS #1 LIQUID TEMP. SENSOR	371-37965-281
			RED	7		
	8 (Optional Kit)	N/A	DRAIN	2	SYS #1 SUCTION TEMP. SENSOR	N/A
			RED	14		
EEV OUTPUT BOARD AND TRANSFORMER 4T, 5T	10 (Optional Kit)	N/A	BLK	4T	SYS #1 EEV OUTPUT	N/A
			RED	TB 1-2		

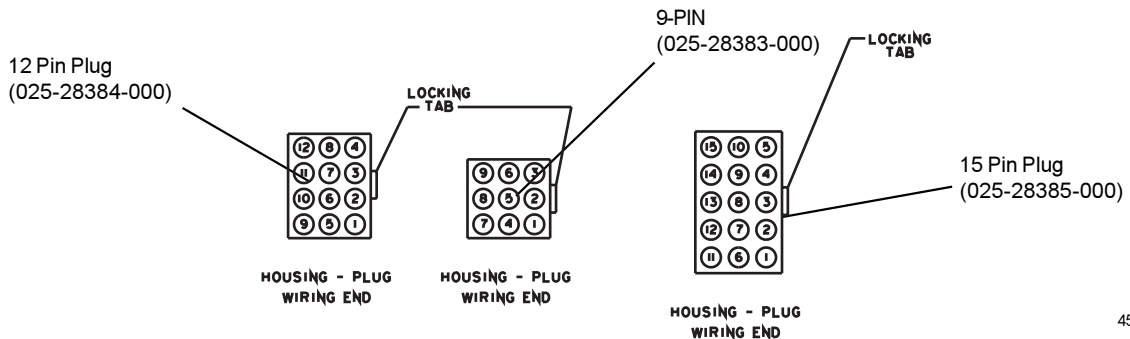


FIG. 12 – SENSOR HOUSING PART NUMBERS

Control & Power Panel

SENSOR HARNESSSES - CONT'D

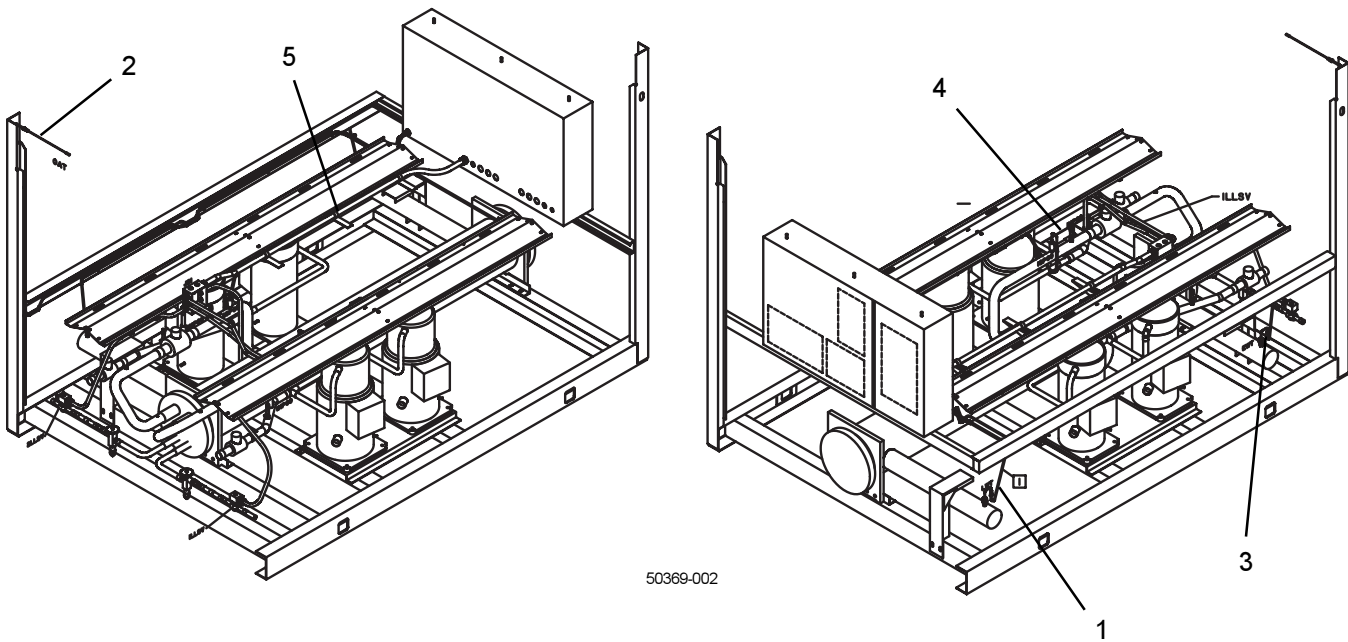


FIG. 12B – SENSOR HARNESS - YCAL0040-YCAL0060 (REF. TABLE 8B)

TABLE 8B – SENSOR HARNESS - YCAL0040-YCAL0060 (SEE FIG. 12B)

BOARD LOCATION	CABLE NO.	LENGTH IN INCHES	WIRE COLOR	PLUG PIN NO.	FUNCTION	HARNESS ASSEMBLY PART NUMBER		
MICRO P4	4	150"	RED	5	SYS#1 SUCTION PRESSURE	575-30433-401		
			WHT	10				
			BLK	1				
	6 (Optional Kit)	200"		DRAIN	2	SYS#1 DISCHARGE PRESSURE	375-30432-403	
				RED	7			
				WHT	12			
BLK				8				
MICRO P6	1	50"	DRAIN	9	LEAVING CHILLED WATER TEMP	375-30433-405		
			BLK	5				
			RED	8				
	3	150"		DRAIN	2	ENTERING CHILLED WATER TEMP	375-30433-407	
				BLK	6			
				RED	9			
	2	204"		DRAIN	3	OUTSIDE AIR TEMP.	375-30433-406	
				BLK	4			
				RED	7			
	MICRO P7	5	110"	DRAIN	1	SYS#2 SUCTION PRESSURE	375-30433-402	
				RED	5			
				WHT	10			
7 (Optional Kit)		200"		DRAIN	2	SYS#2 DISCHARGE PRESSURE	375-30432-404	
				RED	7			
				WHT	12			
				BLK	8			
MICRO P5		115 (407C Only)	162"	DRAIN	9	SYS#1 LIQUID TEMP. SENSOR	371-37966-281	
				RED	12			
				BLK	7			
		116 (407C Only)	162"		DRAIN	2	SYS#2 LIQUID TEMP. SENSOR	371-37966-282
					RED	13		
	BLK				8			
	8 (Optional Kit)	N/A		DRAIN	3	SYS#1 SUCTION TEMP. SENSOR	N/A	
				RED	14			
BLK				9				
9 (Optional Kit)	N/A		DRAIN	4	SYS#2 SUCTION TEMP. SENSOR	N/A		
			RED	15				
			BLK	10				
EEV OUTPUT BOARD AND TRANSFORMER 4T, 5T	10 (Optional Kit)	N/A	DRAIN	5	SYS#1 EEV OUTPUT	N/A		
			RED	4T				
	11 (Optional Kit)	N/A		DRAIN	5T	SYS#2 EEV OUTPUT	N/A	
				RED	TB 2-2			

Control & Power Panel

SENSOR HARNESSSES - CONT'D

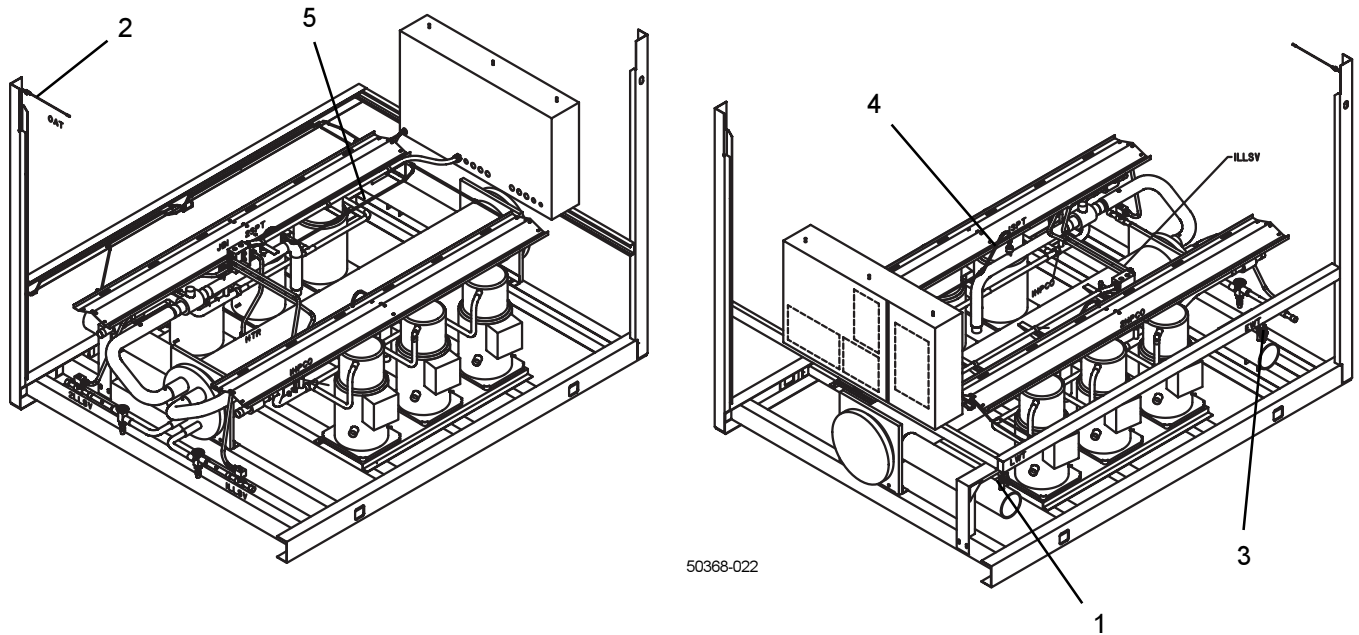


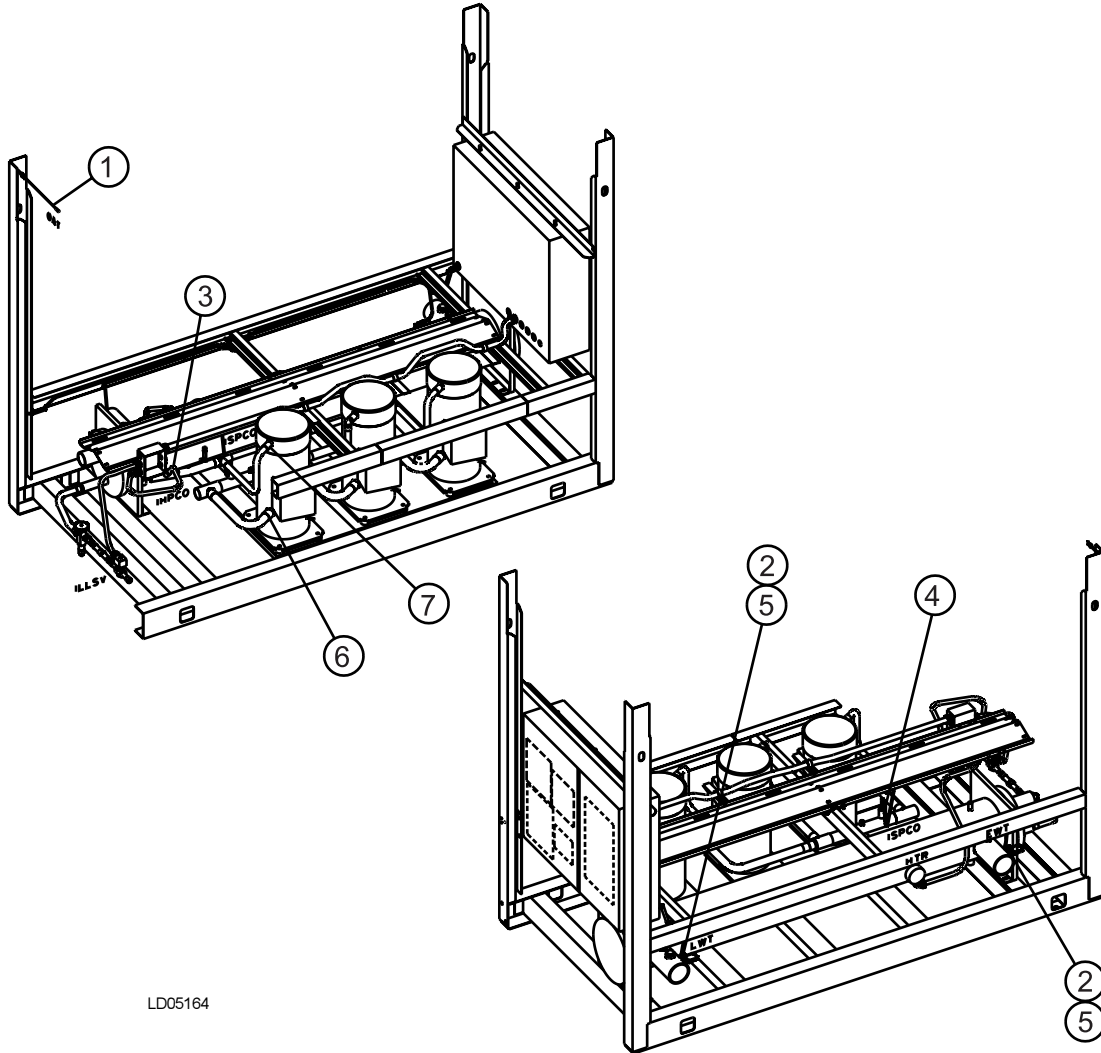
FIG. 12C – SENSOR HARNESS - YCAL0064-YCAL0080 (REF. TABLE 8C)

TABLE 8C – SENSOR HARNESS - YCAL0064-YCAL0080 (SEE FIGS. 12C)

BOARD LOCATION	CABLE ITEM NO.	LENGTH IN INCHES	WIRE COLOR	PLUG PIN NO.	FUNCTION	HARNESS ASSEMBLY PART NUMBER
MICRO P4	4	160"	RED	5	SYS#1 SUCTION PRESSURE	575-30432-401
			WHT	10		
			BLK	1		
	6	200"	RED	7	SYS#1 DISCHARGE PRESSURE	375-30432-403
			WHT	12		
			BLK	8		
MICRO P6	1	75"	DRAIN	9	LEAVING CHILLED WATER TEMP	375-30432-405
			BLK	5		
			RED	8		
	3	180"	DRAIN	2	ENTERING CHILLED WATER TEMP	375-30432-407
			BLK	6		
			RED	9		
2	204"	DRAIN	3	OUTSIDE AIR TEMP.	375-30432-406	
		BLK	4			
		RED	7			
MICRO P7	5	120"	DRAIN	1	SYS#2 SUCTION PRESSURE	375-30432-402
			RED	5		
			WHT	10		
	7	200"	BLK	1	SYS#2 DISCHARGE PRESSURE	375-30432-404
			DRAIN	2		
			RED	7		
MICRO P5	115	162"	DRAIN	9	SYS#1 LIQUID TEMP. SENSOR	371-37966-281
			RED	12		
			BLK	7		
	116	162"	DRAIN	2	SYS#2 LIQUID TEMP. SENSOR	371-37966-282
			RED	13		
			BLK	8		
	8	N/A	DRAIN	3	SYS#1 SUCTION TEMP. SENSOR	N/A
			RED	14		
			BLK	9		
	9	N/A	DRAIN	4	SYS#2 SUCTION TEMP. SENSOR	N/A
			RED	15		
			BLK	10		
EEV OUTPUT BOARD AND TRANSFORMER 4T, 5T	10	N/A	DRAIN	5	SYS#1 EEV OUTPUT	N/A
			RED	4T		
	11	N/A	BLK	5T	SYS#2 EEV OUTPUT	N/A
			RED	TB 2-2		

Control & Power Panel

TRANSDUCERS, PRESSURE CUTOUTS AND TEMP SENSORS



LD05164

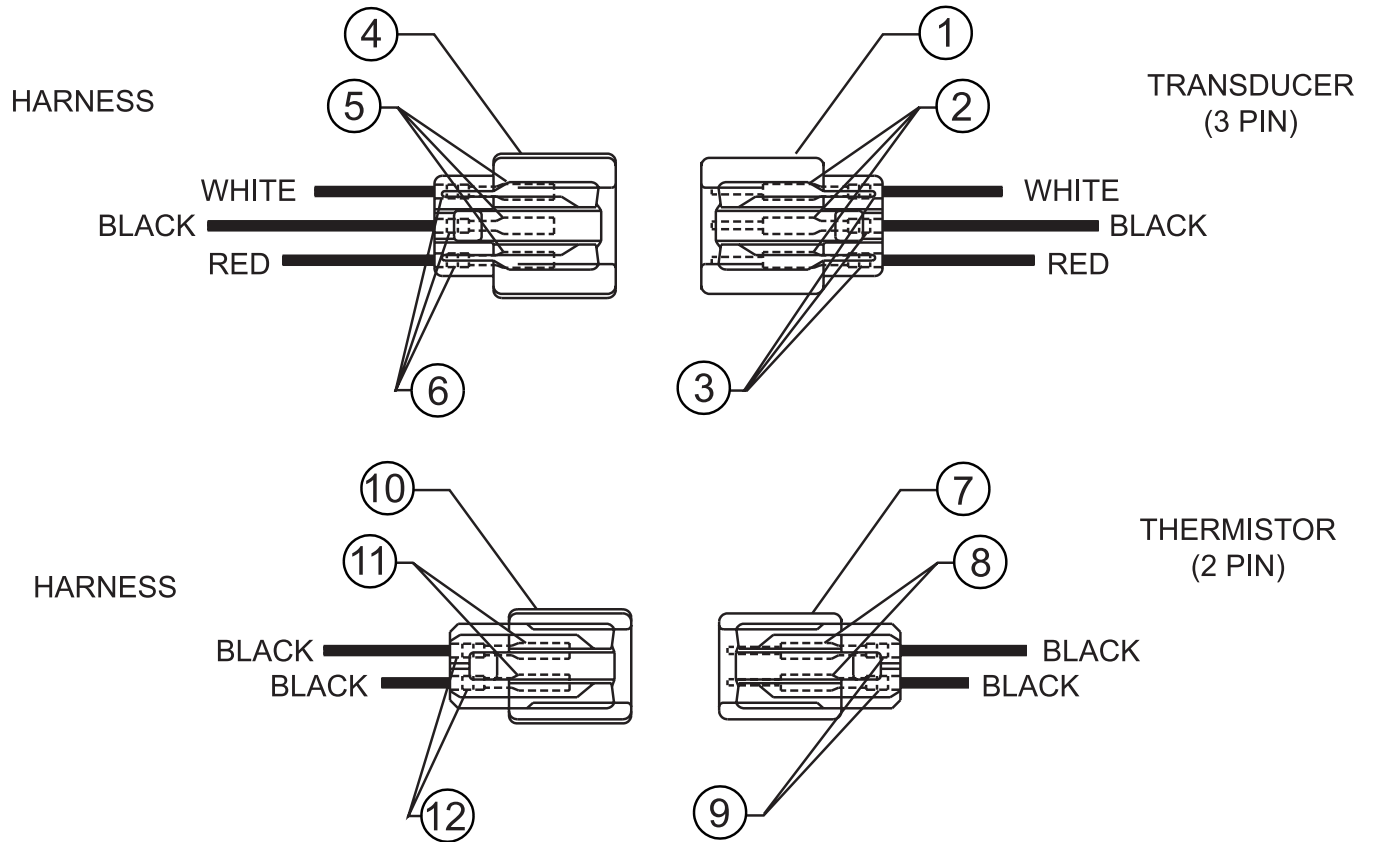
FIG. 13 – TRANSDUCERS, PRESSURE CUTOUTS AND TEMP SENSORS (REF. TABLE 9)

TABLE 9 – TRANSDUCERS, PRESSURE CUTOUTS AND TEMP SENSORS (SEE FIG. 13)

ITEM NUMBER	QUANTITY	SYSTEM	DESCRIPTION	VOLTAGE CODE	PART NUMBER
1 ^s	1	Unit	Sensor, Outside Air Temp.	ALL	025-28663-001
2 ^s	2	1 ea.	Sensor, Water Temp. (EWT, LWT)	ALL	025-29964-000
3 ^s	1 per system	1 and 2	Switch, High Pressure Cutout	ALL	025-28985-002
4 ^s	1 per system	1 and 2	Switch, Low Pressure Cutout	ALL	025-33707-000
5	1	Unit	Compound, Heat Conductive	ALL	013-00898-000
6 ^s	1 per system	Unit	Transducer, Suct. Press. (0-200psi)	ALL	025-29583-000
7 ^s	1 per system	Unit	Transducer, Disch. Press. (0-400psi)	ALL	025-29139-001

^s Recommended Spare Part

TRANSDUCER AND THERMISTOR WIRE HARNESS CONNECTORS - FIELD REPLACEMENT PART NUMBERS



02492-2b

FIG. 14 – TRANSDUCER AND THERMISTOR WIRE HARNESS CONNECTORS - FIELD REPLACEMENT PART NUMBERS (REF. TABLE 10)

TABLE 10 – TRANSDUCER AND THERMISTOR WIRE HARNESS CONNECTORS - FIELD REPLACEMENT PART NUMBERS (SEE FIG. 14)

ITEM NO.	LOCATION	DESCRIPTION	PINS	PART NUMBER
1	Transducer	Plug Connector	3 Pin End	025-28953-000
2		Contact Pins		025-28949-000
3		Rubber Collar		025-28950-000
4	Wire Harness	Plug Connector	3 Pin End	025-28954-000
5		Contact Pins		025-28952-000
6		Rubber Collar		025-28950-000
7	Thermistor	Plug Connector	2 Pin End	025-28948-000
8		Contact Pins		025-28949-000
9		Rubber Collar		025-28950-000
10	Wire Harness	Plug Connector	2 Pin End	025-28951-000
11		Contact Pins		025-28952-000
12		Rubber Collar		025-28950-000

Control & Power Panel

YCAL CHILLER OPTIONS – KITS

TABLE 11 – FIELD INSTALLED OPTIONS KIT PART NUMBERS

MODEL NUMBER YCAL	VIBRATION ISOLATORS SPRING 1" DEFLEC ALUMINUM* & BLK FIN	VIBRATION ISOLATORS SPRING 2" (SEISMIC) ALUMINUM* & BLK FIN	VIBRATION ISOLATOR PAD 1/2" DEFLEC NEOPRENE	VIBRATION ISOLATORS SPRING 1" DEFLEC COPPER*	VIBRATION ISOLATORS SPRING 2" (SEISMIC) COPPER*	VIBRATION ISOLATOR PAD 1/2" DEFLEC NEOPRENE	HOT GAS BY-PASS SOLENOID VALVE W/ HARNESS**	BAS/EMS TEMPERATURE RESET / OFFSET KIT	REMOTE CONTROL PANEL KIT (60HZ)	DISCHARGE PRESSURE TRANSDUCER KIT***	SUCTION PRESSURE TRANSDUCER KIT****
MODEL #	375-50822	375-50823	375-50824	375-50822	375-50823	375-50824	375-	375-30914	371-02485	371-02458	371-02457
0014	-001	-001	-005	-001	-001	-005	51198-200	-000	-104	-001	-001
0020	-001	-001	-005	-001	-001	-005	51198-200	-000	-104	-001	-001
0024	-002	-002	-002	-006	-007	-006	51198-300	-000	-104	-001	-001
0030	-002	-002	-002	-006	-007	-006	51198-100	-000	-104	-001	-001
0034	-003	-003	-002	-007	-008	-006	51198-000	-000	-104	-001	-001
0040	-004	-004	-003	-004	-009	-003	51194-400	-000	-104	-002	-002
0042	-004	-004	-003	-004	-009	-003	51194-200	-000	-104	-002	-002
0044	-004	-004	-003	-004	-010	-003	51194-200	-000	-104	-002	-002
0050	-004	-005	-003	-004	-010	-003	51194-000	-000	-104	-002	-002
0060	-004	-005	-003	-004	-010	-003	51194-000	-000	-104	-002	-002
0064	-005	-006	-004	-005	-006	-004	50980-200	-000	-104	-002	N/A
0070	-005	-006	-004	-005	-011	-004	50980-200	-000	-104	-002	N/A
0074	-005	-006	-004	-008	-011	-004	50980-100	-000	-104	-002	N/A
0080	-005	-006	-004	-008	-011	-004	50980-000	-000	-104	-002	N/A

* Note: Condenser Coil Fin Material.

** Note: Hot Gas By-Pass Solenoid Valve Only: 025-34133-000

*** Note: Discharge Pressure Transducer Only: 025-29139-001

**** Note: Suction Pressure Transducer Only: 025-29583-000

YCAL CHILLER OPTIONS – KITS (CONT'D)

TABLE 11 (CONT'D) – FIELD INSTALLED OPTIONS TABLE

MODEL NUMBER YCAL	MODEL #	MISC. PARTS KIT	MOTOR CURRENT MODULE KIT	OVERLOAD KIT (OPTIONAL)	LOW AMBIENT KIT	HIGH AMBIENT KIT	WELD FLANGE KIT	VICTAULIC FLANGE KIT	CHICAGO RELIEF VALVE	FLOW SWITCH	DIFFERENTIAL PRESSURE
		375-	371-02764	075-33482	375-51213	375-		023-	022-	024-26116	025-30919
0014	28583-103		-000	-002,003&004	-101 or-102*	28556-000	375-30969	19047-000	08863-000	-000	-000
0020	28583-103		-000	-007,008&003	-101 or-102*	28556-000	375-30969	19047-000	08863-000	-000	-000
0024	28583-101		-000	N/A	-101 or-102*	28553-000	375-30969	19047-000	08863-000	-000	-000
0030	28583-102		-000	N/A	-101 or-102*	28553-000	375-30969	19047-000	08863-000	-000	-000
0034	28583-102		-000	N/A	-101 or-102*	28553-000	366-93920	19048-000	08863-000	-000	-000
0040	31889-101		-001	N/A	-103 or-104*	31802-000	366-93920	19048-000	08863-000	-000	-000
0042	31889-111		-001	N/A	-103 or-104*	31802-000	366-93920	19048-000	08863-000	-000	-000
0044	31889-102		-001	N/A	-103 or-104*	31802-000	366-93920	19048-000	08863-000	-000	-000
0050	31889-103		-001	N/A	-103 or-104*	31802-000	366-93920	19048-000	08863-000	-000	-000
0060	31889-109		-001	N/A	-103 or-104*	31802-000	366-93920	19048-000	08863-000	-000	-000
0064	28576-101		-001	N/A	-103 or-104*	28549-000	366-93920	19048-000	08863-000	-000	-000
0070	28576-101		-001	N/A	-103 or-104*	28549-000	366-93921	19049-000	10071-000	-000	-000
0074	28576-102		-001	N/A	-103 or-104*	28549-000	366-93921	19049-000	10071-000	-000	-000
0080	28576-102		-001	N/A	-103 or-104*	28549-000	366-93921	19049-000	10071-000	-000	-000

* Note: Discharge Pressure Transducer & Readout Kit is required to complete Low Ambient Kits.

TABLE 11A – CONTROL TRANSFORMER KIT

MODEL NUMBERS	VOLTAGE	DESCRIPTION	PART NUMBER
YCAL0014-YCAL0080	-17	KIT, CONTROL TRANSFORMER	375-30909-108
	-28		375-30909-109
	-40		375-30909-110
	-46		375-30909-111
	-58		375-30909-112

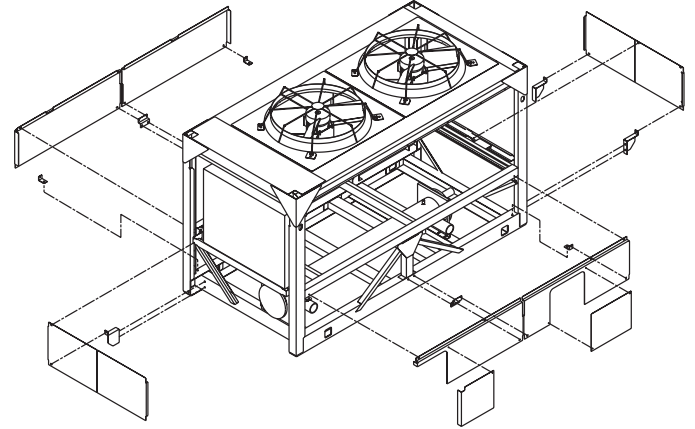
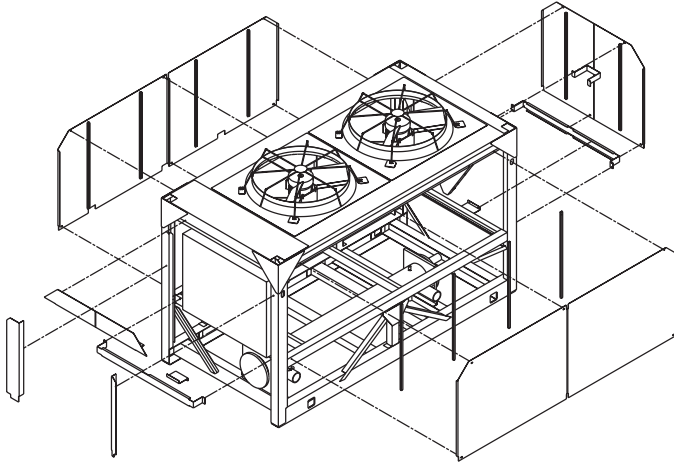


ENCLOSURE KIT OPTIONS

TABLE 12 – ENCLOSURE KIT OPTIONS (Top and Bottom Sections)

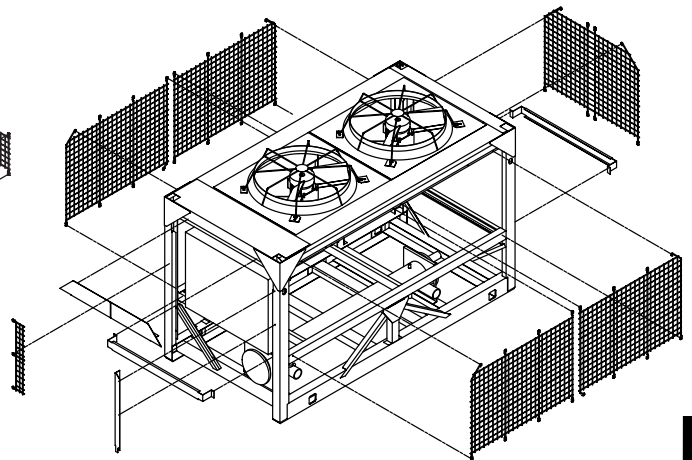
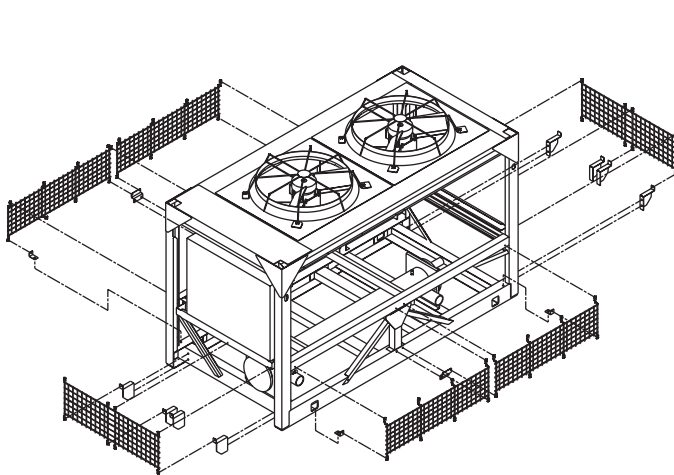
MODEL NUMBER YCAL-	WIRE ENCLOSURE	LOUVERED ENCLOSURE	WIRE / LOUVERED ENCLOSURE	LOUVERED ENCLOSURE CONDENSER ONLY (TOP)
0014 (Top)	475-31869-000	475-31867-000	475-31867-000	475-31867-000
0014 (Bottom)	475-31870-000	475-31868-000	475-31870-000	N/A
0020 (Top)	475-31869-000	475-31867-000	475-31867-000	475-31867-000
0020 (Bottom)	475-31870-000	475-31868-000	475-31870-000	N/A
0024 (Top)	475-31834-000	475-31832-000	475-31832-000	475-31832-000
0024 (Bottom)	475-31835-000	475-31833-000	475-31835-000	N/A
0030 (Top)	475-31834-000	475-31832-000	475-31832-000	475-31832-000
0030 (Bottom)	475-31835-000	475-31833-000	475-31835-000	N/A
0034 (Top)	475-31834-000	475-31832-000	475-31832-000	475-31832-000
0034 (Bottom)	475-31835-000	475-31833-000	475-31835-000	N/A
0040 (Top)	475-31297-000	475-30996-000	475-30996-000	475-30996-000
0040 (Bottom)	475-31298-000	475-31299-000	475-31298-000	N/A
0042 (Top)	475-31297-000	475-30996-000	475-30996-000	475-30996-000
0042 (Bottom)	475-31298-000	475-31299-000	475-31298-000	N/A
0044 (Top)	475-31297-000	475-30996-000	475-30996-000	475-30996-000
0044 (Bottom)	475-31298-000	475-31299-000	475-31298-000	N/A
0050 (Top)	475-31297-000	475-30996-000	475-30996-000	475-30996-000
0050 (Bottom)	475-31298-000	475-31299-000	475-31298-000	N/A
0060 (Top)	475-31297-000	475-30996-000	475-30996-000	475-30996-000
0060 (Bottom)	475-31298-000	475-31299-000	475-31298-000	N/A
0064 (Top)	475-31808-000	475-31806-000	475-31806-000	475-31806-000
0064 (Bottom)	475-31809-000	475-31807-000	475-31809-000	N/A
0070 (Top)	475-31808-000	475-31806-000	475-31806-000	475-31806-000
0070 (Bottom)	475-31809-000	475-31807-000	475-31809-000	N/A
0074 (Top)	475-31808-000	475-31806-000	475-31806-000	475-31806-000
0074 (Bottom)	475-31809-000	475-31807-000	475-31809-000	N/A
0080 (Top)	475-31808-000	475-31806-000	475-31806-000	475-31806-000
0080 (Bottom)	475-31809-000	475-31807-000	475-31809-000	N/A

ENCLOSURE KIT OPTIONS (CONT'D)



31867-01

Louvered Enclosure Kits

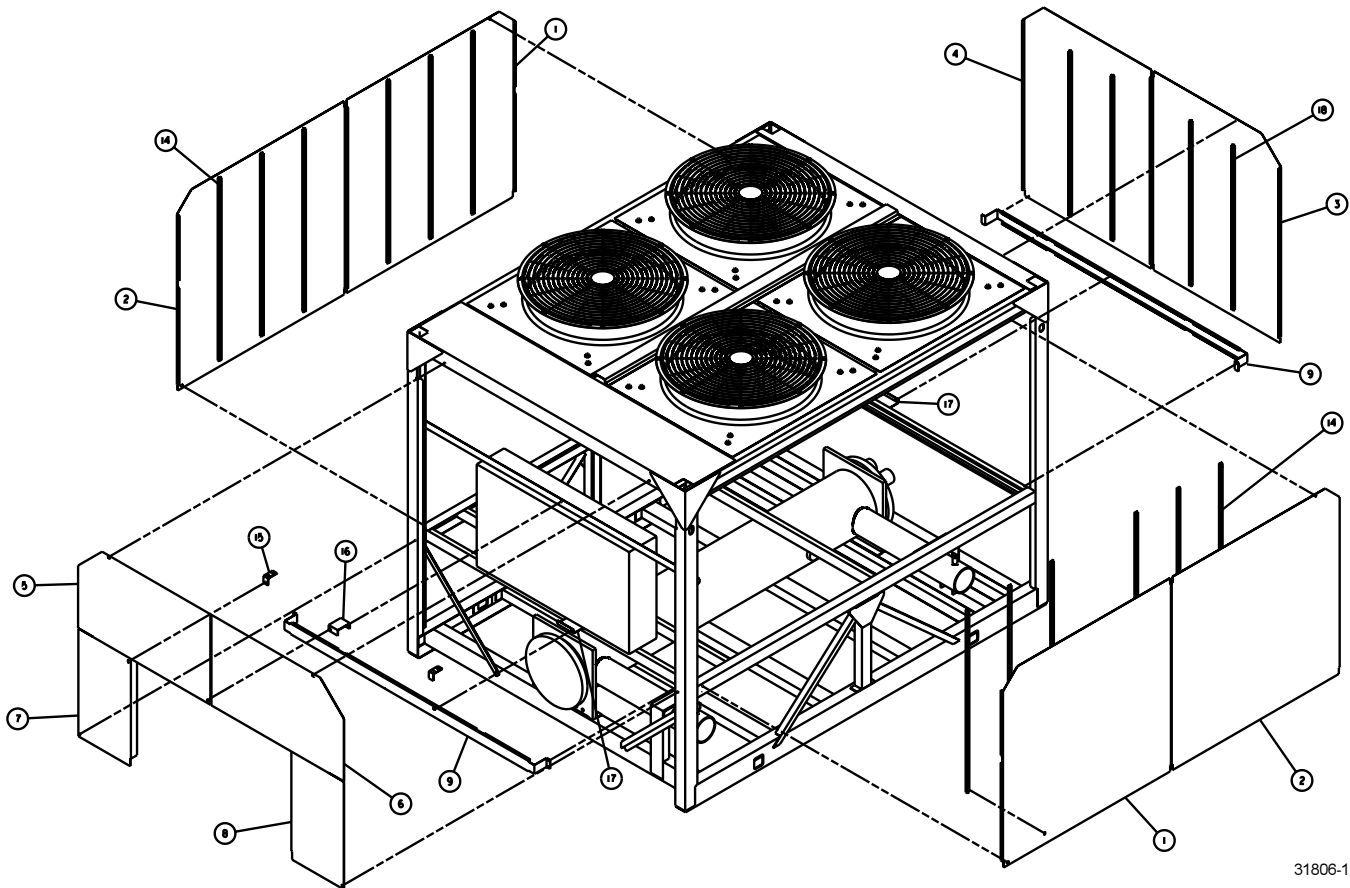


31870-01

Wire Enclosure Kits

FIG. 15 – TYPICAL ENCLOSURE KITS (WIRE AND LOUVERED)

ENCLOSURE KIT OPTIONS (CONT'D)



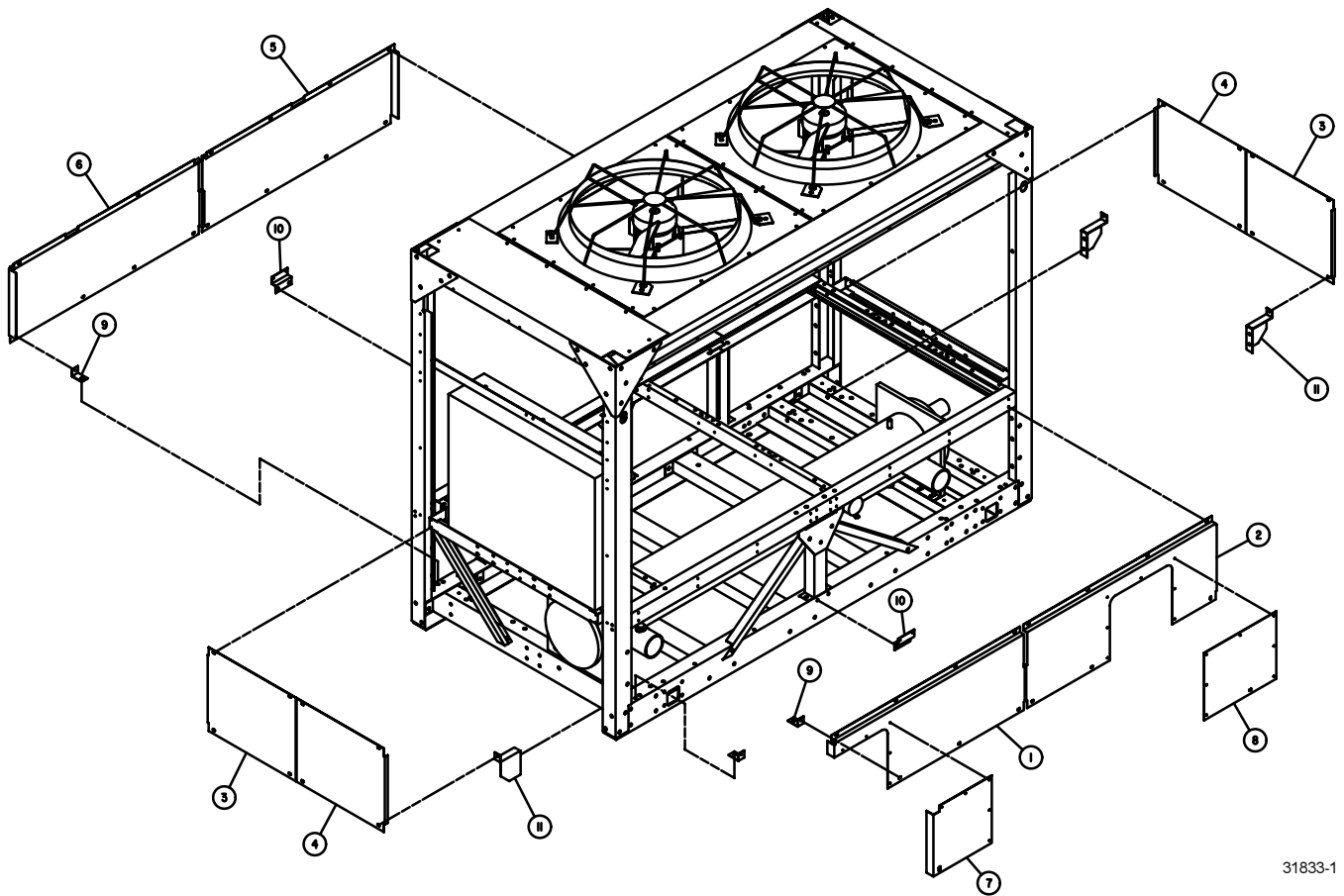
31806-1

FIG. 16 – LOUVERED ENCLOSURE (TOP SECTIONS) - YCAL0064, 0070, 0074 & YCAL0080 SHOWN

TABLE 13 – LOUVERED ENCLOSURE (Top Sections)

LOUVERED ENCLOSURE (TOP SECTIONS)		YCAL0014 & 0020		YCAL0024, 0030 & 0034		YCAL0040, 0042, 0044, 0044, 0050 & 0060		YCAL0064, 0070, 0074 & 0080	
ITEM #	DESCRIPTION	475-31867	QTY	475-31832	QTY	475-30996	QTY	475-31806	QTY
1	PANEL, LOUVERED SIDE	075-31875	1	075-31840	1	075-30682	2	075-31811	2
2	PANEL, LOUVERED SIDE	075-31874	1	075-31839	1	075-30681	2	075-31810	2
3	PANEL, LOUVERED REAR	075-31876	1	075-31842	1	075-31283	1	075-31816	1
4	PANEL, LOUVERED REAR	075-31877	1	075-31843	1	075-31717	1	075-31817	1
5	BRACKET	075-31844	2	075-31844	2	075-31284	2	075-31818	2
6	PANEL, LOUVERED SIDE	075-31878	1	075-31854	1	N/A		N/A	
7	PANEL, LOUVERED SIDE	075-31879	1	075-31855	1	N/A		N/A	
8	PANEL, LOUVERED	075-31880	1	075-31852	1	075-31295	1	075-31812	1
9	PANEL, LOUVERED	075-31881	1	075-31853	1	075-31296	1	075-31813	1
10	PANEL, LOUVERED FRONT	075-28557	1	075-31845	1	075-31803	1	075-31814	1
11	PANEL, LOUVERED FRONT	075-28558	1	075-31846	1	075-31286	1	075-31815	1
12	SUPPORT	075-37936	2	075-37936	2	075-37936	2	075-37936	2
13	SUPPORT	075-37945	1	075-37945	1	N/A		N/A	
14	CLIP	N/A		N/A		075-37938	2	075-37938	2
15	BRACKET	N/A		075-37937	1	075-37937	1	075-37937	1
16	CHANNEL	075-37947	10	075-37946	10	075-37943	12	075-37939	12
17	CHANNEL	N/A		N/A		075-37944	4	075-37940	4

ENCLOSURE KIT OPTIONS (CONT'D)



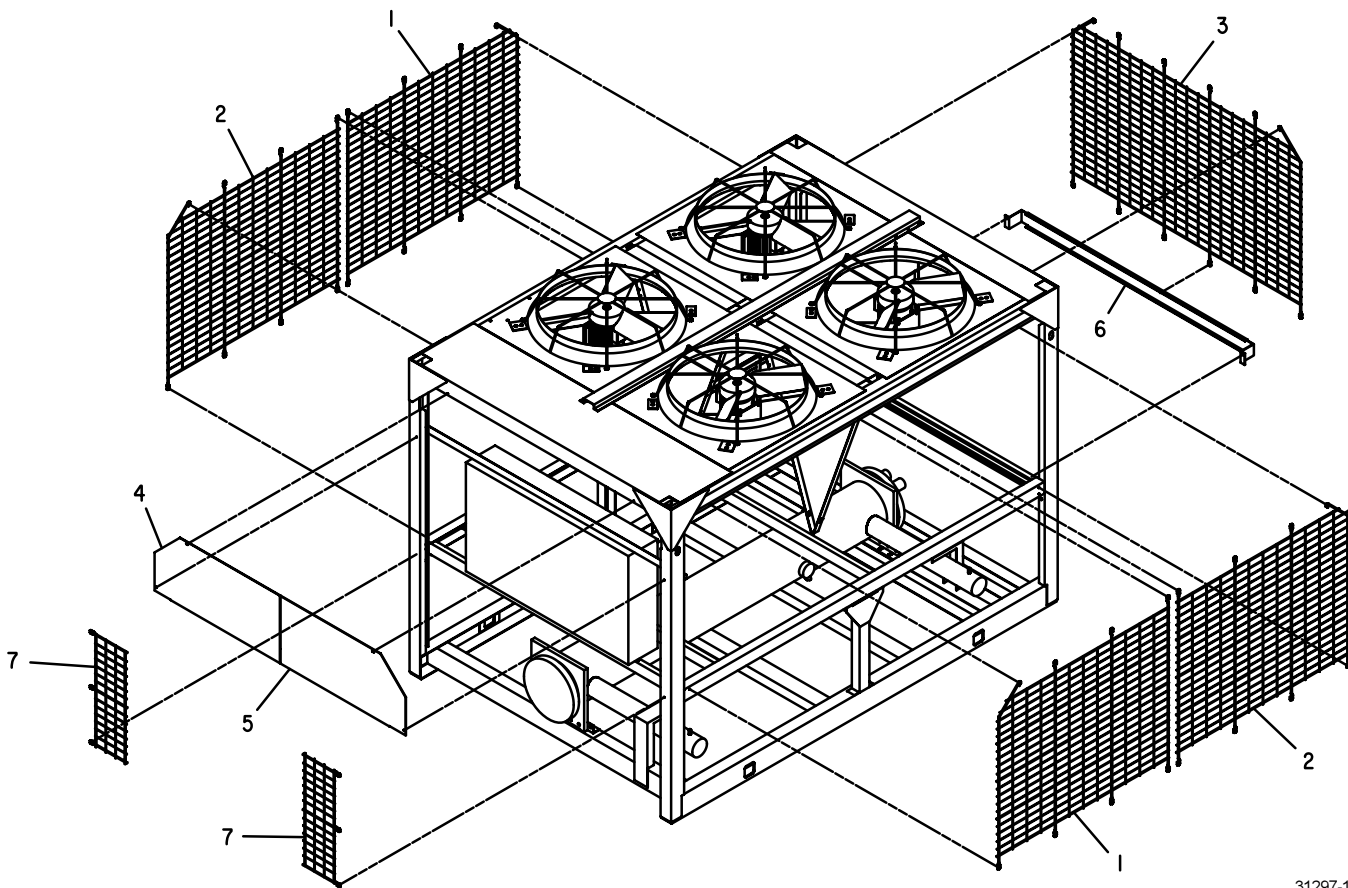
31833-1

FIG. 17 – LOUVERED ENCLOSURE (BOTTOM SECTIONS) - YCAL0024, 0030 & YCAL0034

TABLE 14 – LOUVERED ENCLOSURE (Bottom Sections)

LOUVERED ENCLOSURE (BOTTOM SECTION)	ITEM #	DESCRIPTION	YCAL0014 & 0020		YCAL0024, 0030 & 0034		YCAL0040, 0042, 0044, 0044, 0050 & 0060		YCAL0064, 0070, 0074 & 0080	
			475-31868	QTY	475-31833	QTY	475-31299	QTY	475-31807	QTY
	1	PANEL, LOUVERED SIDE	075-31882	1	075-31856	1	075-31287	1	075-31821	1
	2	PANEL, LOUVERED SIDE	075-31883	1	075-31857	1	075-31290	1	075-31822	1
	3	PANEL, LOUVERED FRONT	075-31884	2	075-31860	2	075-31293	2	075-31820	2
	4	PANEL, LOUVERED FRONT	075-31885	2	075-31861	2	075-31718	2	075-31819	2
	5	PANEL, LOUVERED SIDE	075-31886	1	075-31859	1	075-31292	1	075-31292	1
	6	PANEL, LOUVERED SIDE	075-31887	1	075-31858	1	075-31291	1	075-31291	1
	7	PANEL, LOUVERED	075-31723	1	075-31723	1	075-31719	1	075-31722	1
	8	PANEL, LOUVERED	075-31725	1	075-31724	1	075-31720	1	075-31721	1
	9	CLIP	075-31285	12	075-31285	12	075-31285	12	075-31285	12
	10	BRACKET	075-31294	8	075-31294	8	075-31294	10	075-31294	10
	11	BRACKET	075-31711	2	075-31711	2	075-31711	2	075-31711	2

ENCLOSURE KIT OPTIONS (CONT'D)



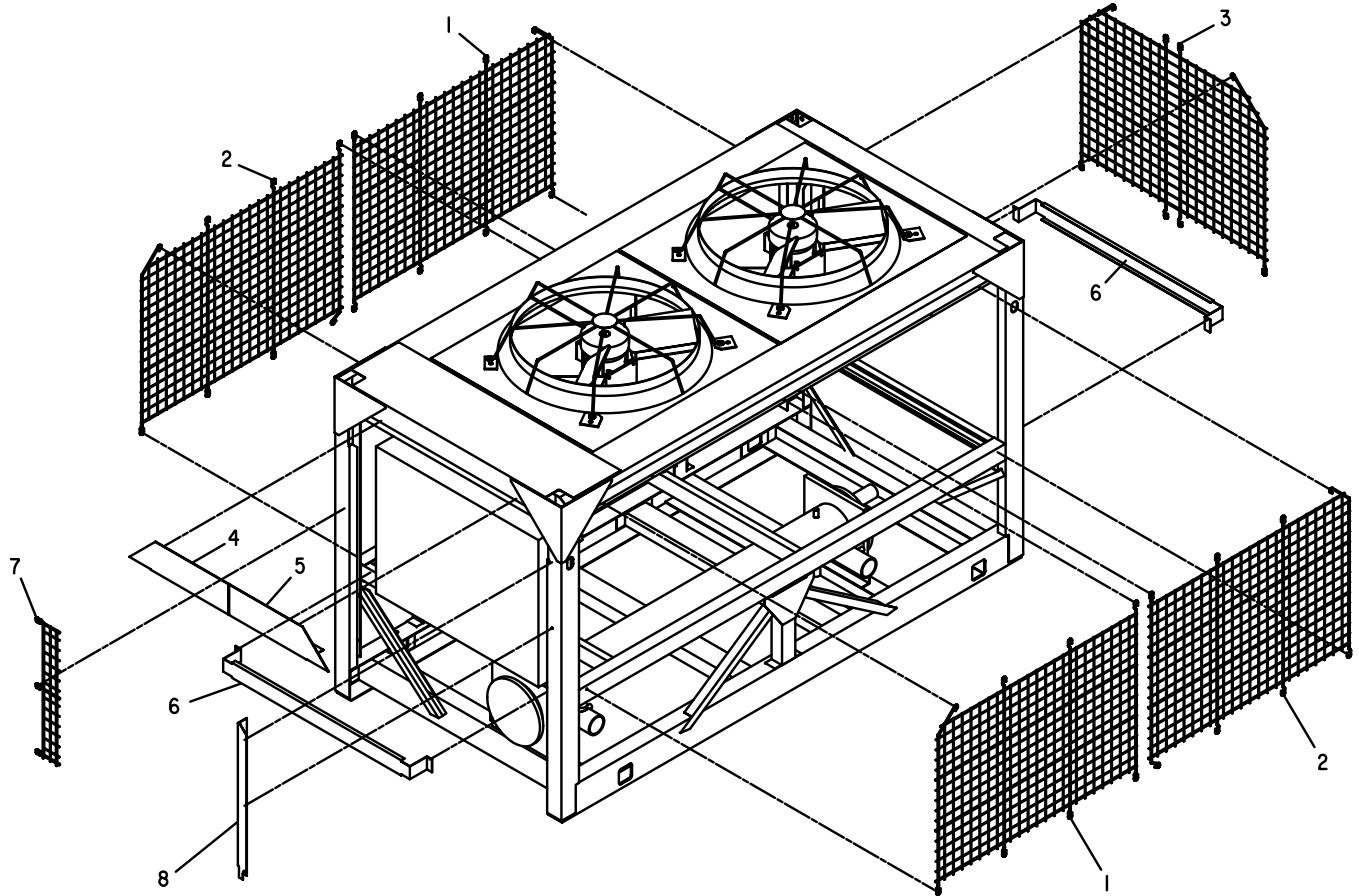
31297-1

FIG. 18 – WIRE ENCLOSURE (TOP SECTIONS) - YCAL0040, 0042, 0044, 0050 & YCAL0060 SHOWN

TABLE 15 – WIRE ENCLOSURE (Top Sections)

WIRE ENCLOSURE (TOP SECTIONS)		YCAL0014 & 0020		YCAL0024, 0030 & 0034		YCAL0040, 0042, 0044, 0044, 0050 & 0060		YCAL0064, 0070, 0074 & 0080	
		475-31869	QTY	475-31834	QTY	475-31297	QTY	475-31808	QTY
1	GRILLE	026-36573	2	026-36562	2	026-36547	2	026-36556	2
2	GRILLE	026-31883	2	026-36563	2	026-36551	2	026-36557	2
3	GRILLE	026-31884	1	026-36564	1	026-36549	1	026-36558	1
4	GRILLE, FRONT	N/A		026-36595	1	N/A		026-36594	1
	PANEL, FRONT	075-28557	1	N/A		075-31803	1	N/A	
5	PANEL, FRONT	075-28558	1	N/A		075-31286	1	N/A	
6	BRACKET	075-31844	2	075-31844	2	075-31284	1	075-31818	2
7	GRILLE	026-36578	1	026-36565	1	026-36555	2	026-36559	2
8	PANEL, LOUVERED	075-31881	1	075-31853	1	N/A		N/A	

ENCLOSURE KIT OPTIONS (CONT'D)



31869-1

FIG. 19 – WIRE ENCLOSURE (BOTTOM SECTIONS) - YCAL0014 & YCAL0020 SHOWN

TABLE 16 – WIRE ENCLOSURE (Bottom Sections)

WIRE ENCLOSURE (BOTTOM SECTION)		YCAL0014 & 0020		YCAL0024, 0030 & 0034		YCAL0040, 0042, 0044, 0044, 0050 & 0060		YCAL0064, 0070, 0074 & 0080	
		475-31870	QTY	475-31835	QTY	475-31298	QTY	475-31809	QTY
1	GRILLE	026-36576	3	026-36566	3	026-36548	4	026-36548	4
2	GRILLE	026-36577	2	026-36567	2	026-36550	2	026-36560	2
3	CLIP	075-31285	12	075-31285	12	075-31285	12	075-31285	12
4	BRACKET	075-31711	2	075-31711	2	075-31711	2	075-31711	2
5	BRACKET	075-31294	8	075-31294	8	075-31294	10	075-31294	16
6	BRACKET	N/A		N/A		075-31284	1	N/A	
11	GRILLE	026-36779	1	026-36780	1	N/A		N/A	

REMOTE CONTROL CENTER

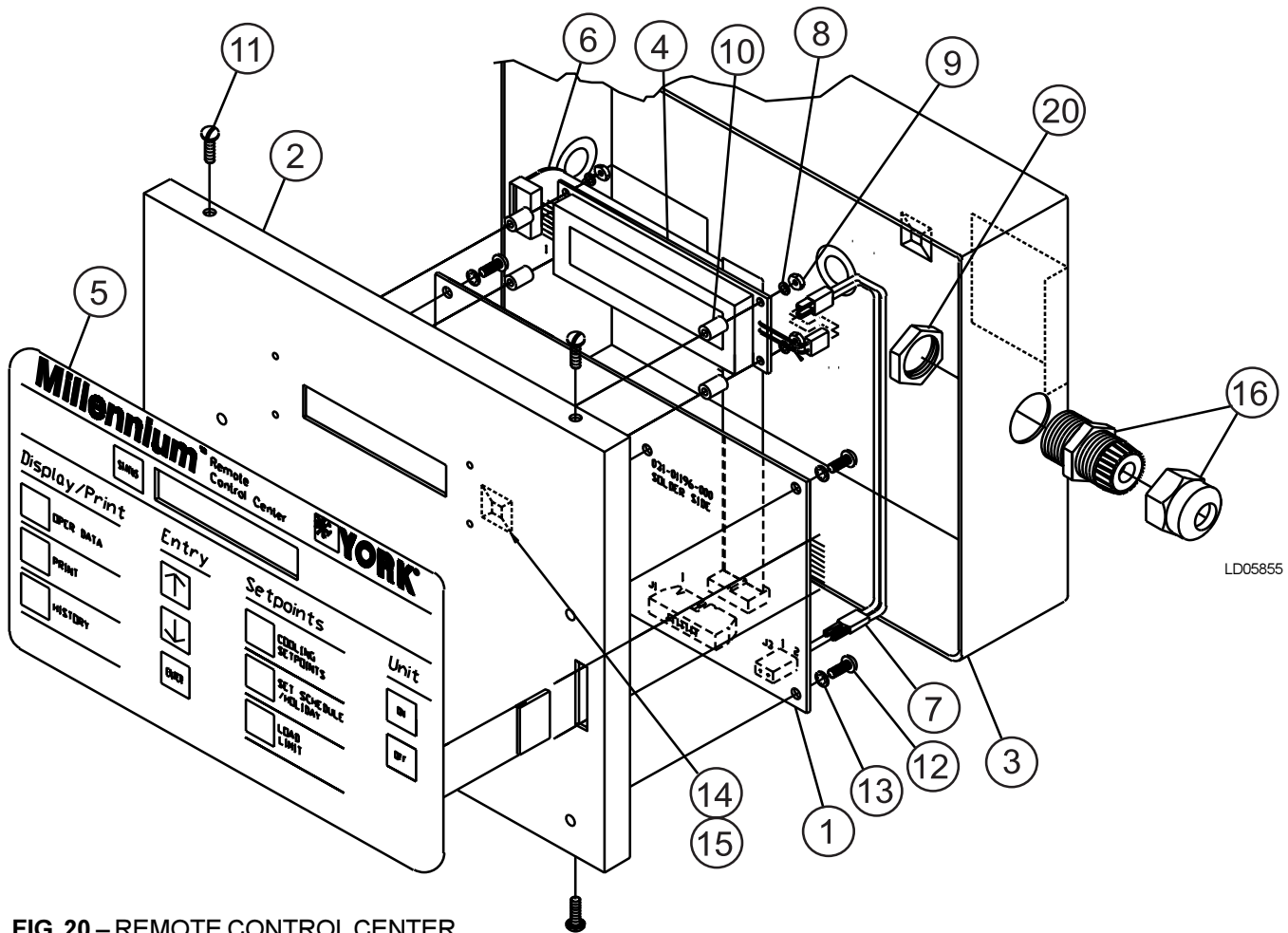


FIG. 20 – REMOTE CONTROL CENTER

TABLE 17 – REMOTE CONTROL CENTER PARTS

371-02485-104 (60 HZ)			
REF. NUMBER	QUANTITY	DESCRIPTION	PART NUMBER
1	1	CONTROL, MICROBOARD	031-01196-000
2	1	COVER, REMOTE CONTROL	371-02485-311
3	1	BASE, REMOTE CONTROL	071-02485-320
4	1	DISPLAY, LCD	031-01110-000
5	1	SWITCH, KEYPAD	024-30930-000
6	1	RIBBON CABLE	071-01289-211
7	1	WIRE CABLE	071-01289-212
10	4	SPACER, NYLON 1/4 OD X 7/16 LG.	021-17575-000
11	1	TRANSFORMER	025-29917-002
14	3	CABLE TIE MOUNT	025-25155-000
15	1	EPROM	031-02016-003
16	1	CABLE FITTING	025-05701-000
17	2	INSULATOR, RECIPAK, ROOFTOP	071-01730-000
18	2	MODULE, LAN TRANSIENT PROTECTION (LTP)	031-01586-000
19	1	INSTALLATION INSTRUCTIONS	071-01289-002
20	1	NUT, LOCKING, HEYCO-3232	025-31732-000
21	1	OPERATOR'S MANUAL	150.62-NM1

Chiller Options

OPTIVIEW REMOTE CONTROL CENTER

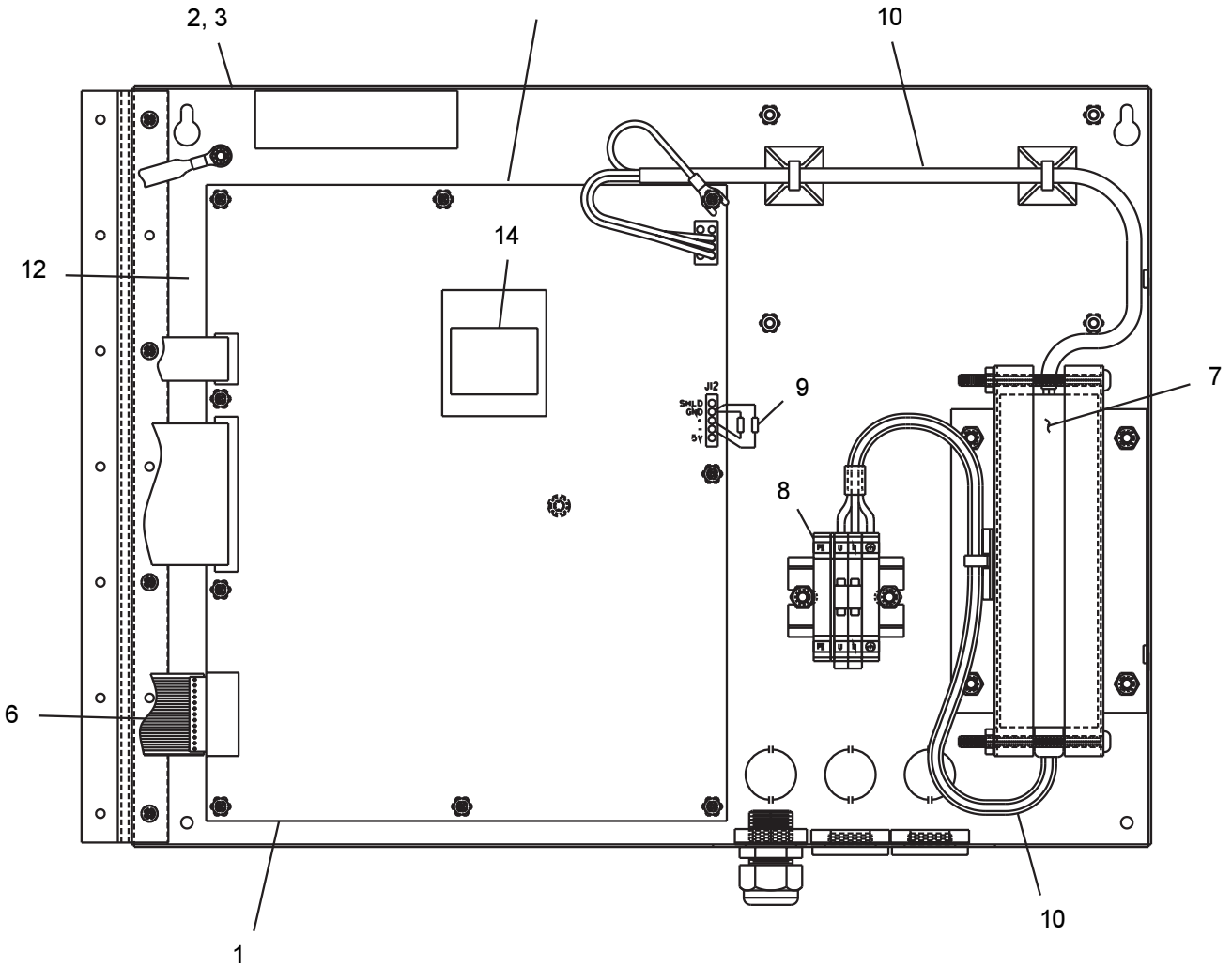


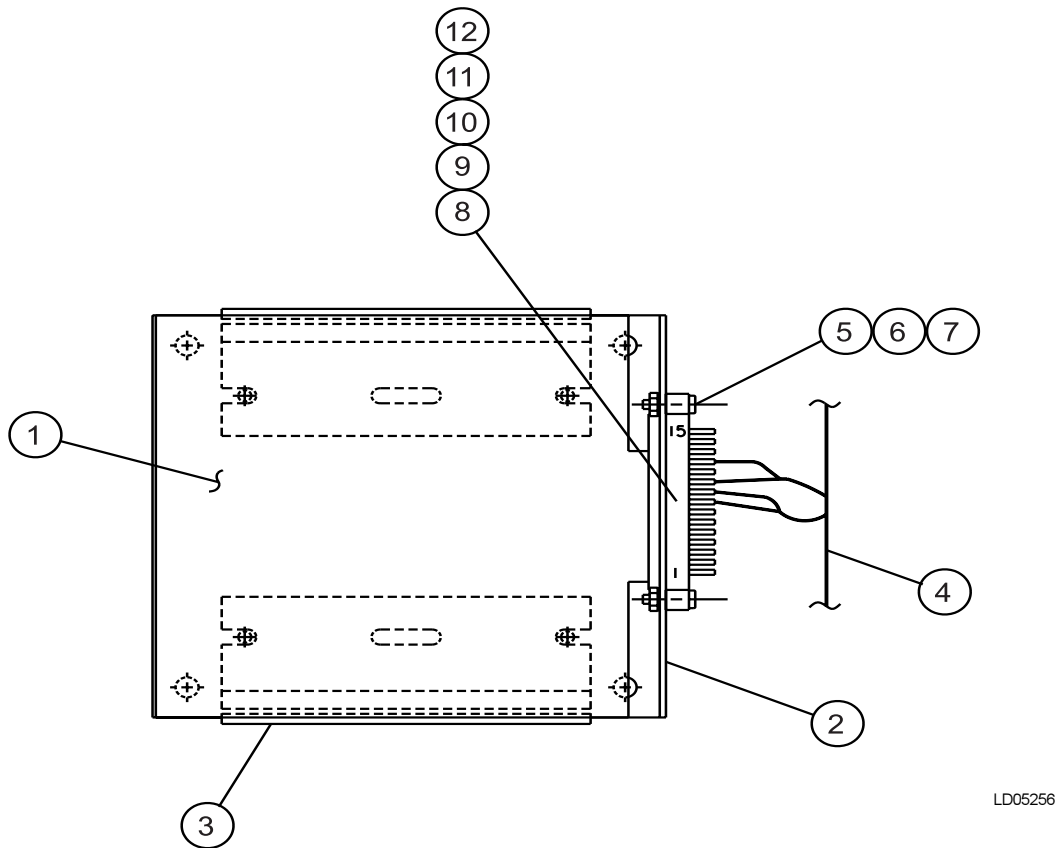
FIG. 21 – OPTIVIEW REMOTE CONTROL PANEL

02750-3a

TABLE 18 – OPTIVIEW REMOTE CONTROL PANEL PARTS

371-02750-101 (60 HZ)			
REF. NUMBER	QUANTITY	DESCRIPTION	PART NUMBER
1	1	CONTROL, MICROBOARD	031-01730-002
2	1	COVER, REMOTE CONTROL	371-02750-311
3	1	BASE, REMOTE CONTROL	071-02485-320
4	1	DISPLAY, KIT (NOT SHOWN)	331-02053-000
5	1	SWITCH, KEYPAD (NOT SHOWN)	024-30974-001
6	1	RIBBON CABLE	031-02056-000
7	1	POWER SUPPLY	371-02750-411
8	1	TERMINAL BLOCK	025-35120-000
9	1	SUPPRESSOR	031-02076-000
10	1	CABLE ASSEMBLY	571-02750-421
11	8	MODULE, LAN TRANSIENT PROTECTION (LTP)	031-01586-000
12	1	WIRING DIAGRAM	035-17188-000
13	1	OPERATOR'S MANUAL (NOT SHOWN)	201.24-NM1
14	1	FLASH MINI-CARD	031-02057-001

REMOTE CURRENT/TEMPERATURE RESET PARTS BREAKDOWN



LD05256

FIG. 22 – REMOTE CURRENT/TEMPERATURE RESET COMPONENTS

TABLE 19 – REMOTE CURRENT/TEMPERATURE RESET KIT NUMBER 375-90914-000

REF. NUMBER	QUANTITY	DESCRIPTION	PART NUMBER
1	1	CONTROL, REMOTE CURRENT/TEMP	031-00814-000
2	1	BRACKET, REMOTE CURRENT/TEMP RESET	371-01232-361
3	1	TRACK, SNAP	071-01232-363
4	1	WIRING, REMOTE CURRENT/TEMP RESET	571-02492-231*
5	2	SCREW, MACHINE PAN HEAD #4	021-17594-000
6	2	NUT, HEX MACH SCREW #4 – 40 UNC-2B	021-10056-000
7	2	LOCKWASHER, HEL. SPG. #4 REG.	021-17576-000

* refer to Table 19A

TABLE 19A – REMOTE RESET WIRING

REF. NUMBER	QUANTITY	DESCRIPTION	PART NUMBER
8	2	CONT SOC AWG WIRE SIZE 20	025-19674-000
9	2	TERMINAL PUSH ON STRAIGHT	025-06642-000
10	4	TUBING HEAT SHRINKABLE 1/8 ID	025-29632-000
11	1	HGS CONNECTOR ELECTRICAL PLUG	025-32564-000*
12	1	CONNECTOR EDGE, 15 POSITION, 0.125	025-29631-000

* Was P/N 025-21137-000 prior to Spring 1999.

Chiller Options

RECOMMENDED SPARE PARTS
York Model YCAL Style "C" Air Cooled Liquid Chillers
Suggested Spare Parts List for Critical Duty Applications

TABLE 20 – RECOMMENDED SPARE PARTS - YCAL CHILLERS (60 Hz)

PAGE REF. & ITEM NUMBER	DESCRIPTION	MODEL NUMBER YCAL	PART NUMBER
Page 10, Item 1	Fan Motor (Standard)	-17	024-30900-002
		-28	024-30900-002
		-40	024-30900-004
		-46	024-30900-001
		-58	024-30900-003
Page 10, Item 1	Fan Motor (Low Noise)	-17	024-30933-002
		-28	024-30933-002
		-40	024-30933-004
		-46	024-30933-001
		-58	024-30933-003
Page 10, Item 2	Fan Blade (Standard 0014-0060)	All	026-35607-000 026-36579-000
Page 10, Item 2	Fan Blade (Low Noise 0064-0080)	All	026-37577-000 026-37579-000
Page 14 & 15, Item 1	Valve, Thermal Expansion (Cooler)	See Table 5	025-34156-000
			025-27535-000
			025-27536-000
			025-20213-000
			025-32904-000
Page 14 & 15, Item 3	Core, Dehydrator	All	026-18328-000
Page 14 & 15, Item 4	Valve, Solenoid, Liquid Line	See Table 5	025-34585-000
			025-33705-000
Page 19, Item Oil	Oil, Compressor (TYPE 'F')	R-22	011-00434-000
	Oil, Compressor (TYPE 'T')	R-407C	011-00937-000
Page 27-69, Item 5B	Contactor, Fan	-17 and -28	024-34300-000
		-40, -46 and -58	024-34302-000
Page 27-69, Item 5F	Overload, Fan	-17 and -28	024-33170-000
		-40 and -46	024-33169-000
		-58	024-33168-000
Page 27-69, Item 8A	Micro Board	All	031-02050-001
Page 27-69, Item 8B	EPR0M	All	031-02049-001
Page 70, Item 1	Sensor, Outside Air Temp.	All	025-28663-001
Page 70, Item 2	Sensor, Water Temp.	All	025-29964-000
Page 70, Item 3	High Pressure Cutout Switch	All	025-28985-002
Page 70, Item 4	Low Pressure Cutout Switch	0014-0060	025-33707-000
Page 70, Item 6	Transducer, Suction Pressure	All	025-29139-001
Page 70, Item 7	Transducer, Discharge Pressure	All	025-29583-000

All parts should be purchased from your
local YORK Sales and Service Center.



P.O. Box 1592, York, Pennsylvania USA 17405-1592
Copyright © by York International Corporation 2002

Tele. 800-861-1001
www.york.com

Subject to change without notice. Printed in USA
ALL RIGHTS RESERVED

Form 150.62-RP4 (503)
New Release