



BY JOHNSON CONTROLS

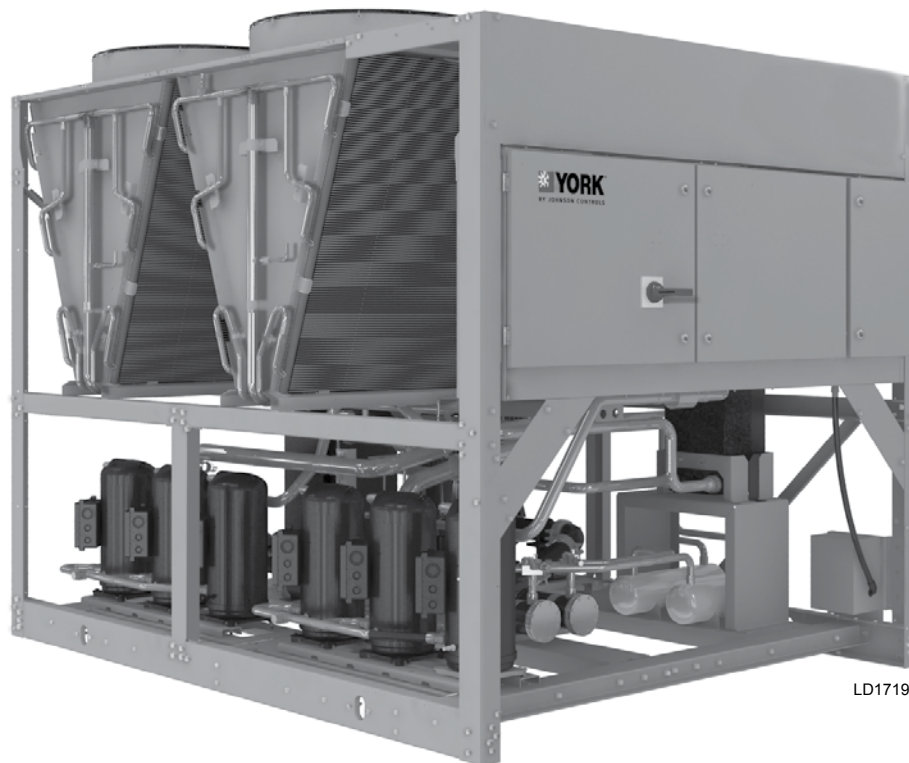
AIR-COOLED SCROLL CHILLERS

REPLACEMENT PARTS

NEW RELEASE

Form 150.72-RP6 (614)

**MODEL YLAA0058 - YLAA0175
DESIGN SERIES D OR F
DEVELOPMENT LEVEL B
BITZER COMPRESSORS
WITH BRAZED PLATE HEAT EXCHANGER**



LD17197

**R-410A
58 - 175 TON
60 Hz**



Issue Date:
June 13, 2014



IMPORTANT!

READ BEFORE PROCEEDING!

GENERAL SAFETY GUIDELINES

This equipment is a relatively complicated apparatus. During installation, operation maintenance or service, individuals may be exposed to certain components or conditions including, but not limited to: refrigerants, materials under pressure, rotating components, and both high and low voltage. Each of these items has the potential, if misused or handled improperly, to cause bodily injury or death. It is the obligation and responsibility of operating/service personnel to identify and recognize these inherent hazards, protect themselves, and proceed safely in completing their tasks. Failure to comply with any of these requirements could result in serious damage to the equipment and the property in

which it is situated, as well as severe personal injury or death to themselves and people at the site.

This document is intended for use by owner-authorized operating/service personnel. It is expected that these individuals possess independent training that will enable them to perform their assigned tasks properly and safely. It is essential that, prior to performing any task on this equipment, this individual shall have read and understood this document and any referenced materials. This individual shall also be familiar with and comply with all applicable governmental standards and regulations pertaining to the task in question.

SAFETY SYMBOLS

The following symbols are used in this document to alert the reader to specific situations:



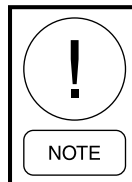
Indicates a possible hazardous situation which will result in death or serious injury if proper care is not taken.



Identifies a hazard which could lead to damage to the machine, damage to other equipment and/or environmental pollution if proper care is not taken or instructions are not followed.



Indicates a potentially hazardous situation which will result in possible injuries or damage to equipment if proper care is not taken.



Highlights additional information useful to the technician in completing the work being performed properly.



External wiring, unless specified as an optional connection in the manufacturer's product line, is not to be connected inside the control cabinet. Devices such as relays, switches, transducers and controls and any external wiring must not be installed inside the micro panel. All wiring must be in accordance with Johnson Controls' published specifications and must be performed only by a qualified electrician. Johnson Controls will NOT be responsible for damage/problems resulting from improper connections to the controls or application of improper control signals. Failure to follow this warning will void the manufacturer's warranty and cause serious damage to property or personal injury.

CHANGEABILITY OF THIS DOCUMENT

In complying with Johnson Controls' policy for continuous product improvement, the information contained in this document is subject to change without notice. Johnson Controls makes no commitment to update or provide current information automatically to the manual owner. Updated manuals, if applicable, can be obtained by contacting the nearest Johnson Controls Service office or accessing the Johnson Controls QuickLIT website at <http://cgproducts.johnsoncontrols.com>.

Operating/service personnel maintain responsibility for the applicability of these documents to the equipment. If there is any question regarding the applicability of

these documents, the technician should verify whether the equipment has been modified and if current literature is available from the owner of the equipment prior to performing any work on the chiller.

CHANGE BARS

Revisions made to this document are indicated with a line along the left or right hand column in the area the revision was made. These revisions are to technical information and any other changes in spelling, grammar or formatting are not included.

HOW TO USE RENEWAL PARTS MANUALS

Johnson Controls offers an assortment of replacements parts for Johnson Controls, YORK and UPG units. Each replacement part is manufactured and fitted for a specific model. This Replacement Parts Manual is for standard Johnson Controls units. Chiller units built with special options, modifications, or conversions are not covered in this manual.

This Replacement Parts Manual provides Johnson Controls chiller replacement parts by part numbers, descriptions, quantities and drawing figures. To determine the correct replacement part, locate the item on drawing figure and refer to the parts list for the part number, description and quantity.

NOTE: Provide a unit model number, unit serial number and part number when requesting a quotation or placing an order. Failure to include this information may delay processing of your request.

Model and Serial Number Locations:

- **Unit** - Namplate on side of Control Panel
- **Compressor** - Namplate on Compressor Housing
- **VSD** - Namplate on VSD Panel

Contact the following sources to order parts.

NORTH AMERICA

Baltimore Parts Center

Contrators within USA

Telephone: (800)-932-1701

Equipment Owners within USA who maintain their own equipment

Telephone: (800)-482-2778

Email: cg-baltimore-parts-customer@jci.com

For parts availability and ordering YORK HVAC Parts within the USA please use the following link: http://www.johnsoncontrols.com/content/us/en/products/building_efficiency/products-and-systems/integrated_hvac_systems/parts_center/baltimorepartscenter.html

EUROPE

HVAC Parts Centre (Europe)

Telephone: +44 (0) 1268 246 400

Email: ALLParts@jci.com

NOMENCLATURE

1 2 3 4

YLAA

UNIT TYPE

YORK Chiller
 Air Cooled Scroll

5 6 7 8

0058

CAPACITY

0058	0120
0065	0125
0070	0136
0080	0142
0081	0150
0089	0155
0092	0156
0100	0170
0101	0175
0115	

9

S

UNIT

DESIGNATOR

S = Standard Efficiency
 H = High Efficiency

10

E

REFRIGERANT

R-410A

11&12

46

VOLTAGE CODE

17 = 200-208/3/60
 28 = 230/3/60
 40 = 380/3/60
 46 = 460/3/60
 50 = 380-415/3/50
 58 = 575/3/60

13

X

STARTER

X = Across the
 Line Starter
 T = Soft Start

14

D

DESIGN SERIES

A = Design Series A
 C = Design Series C
 D = Design Series D
 F = Design Series F

15

B

DEVELOPMENT

LEVEL

LIST OF TABLES

TABLE 1 - Complete Pin Number Description	7
TABLE 2 - Base Assembly YLAA0058 - YLAA0120.....	11
TABLE 3 - Base Assembly YLAA0125 - YLAA0175.....	14
TABLE 4 - Compressor Part Numbers.....	16
TABLE 5 - System Piping Standard Valves (Pin 32 = X) (YLAA0058, YLAA0065, YLAA0081)	19
TABLE 6 - System Piping EEV (Pin 32 = E) (YLAA0058, YLAA0065, YLAA0081)	20
TABLE 7 - System Piping Standard Valves (Pin 32 = X) (YLAA0070, YLAA0080, YLAA0089)	23
TABLE 8 - System Piping EEV (Pin 32 = E) (YLAA0070, YLAA0080, YLAA0089)	24
TABLE 9 - System Piping Standard Valves (Pin 32 = X) (YLAA0092, YLAA0100, YLAA0101)	26
TABLE 10 - System Piping EEV (Pin 32 = E) (YLAA0092, YLAA0100, YLAA0101)	27
TABLE 11 - System Piping Standard Valve (Pin 32 = X) (YLAA0115, YLAA0120).....	29
TABLE 12 - System Piping EEV (Pin 32 = E) (YLAA0115, YLAA0120).....	30
TABLE 13 - System Piping Standard Valves (Pin 32 = X) (YLAA0125, YLAA0136, YLAA0142, YLAA0150, YLAA0155)	32
TABLE 14 - System Piping EEV (PIN 32 = E) (YLAA0125, YLAA0136, YLAA0142, YLAA0150, YLAA0155)	33
TABLE 15 - System Piping Standard Valves (Pin 32 = X) (YLAA0156, YLAA0170, YLAA0175)	35
TABLE 16 - System Piping EEV (Pin 32 = E) (YLAA0156, YLAA0170, YLAA0175)	36
TABLE 17 - Cooler, Insulated.....	38
TABLE 18 - Condenser Coils.....	39
TABLE 19 - Relief Safety Devices	43
TABLE 20 - Fan Components, Standard Low Sound and Ultra Quiet Fans	44
TABLE 21 - Fan Components, High Air Flow Fans.....	45
TABLE 22 - Sensor Wiring Pin 32 = X (YLAA0058).....	46
TABLE 23 - Sensor Wiring Pin 32 = X (YLAA0065).....	47
TABLE 24 - 1-BDP Discharge Pressure Wiring Detail Pin 32 = X (YLAA0058, YLAA0065, YLAA0081)	47
TABLE 25 - 2-BDP Discharge Pressure Wiring Detail Pin 32 = X (YLAA0058, YLAA0065, YLAA0081)	48
TABLE 26 - Sensor Wiring Pin 32 = X (YLAA0081).....	48
TABLE 27 - Sensor Wiring Pin 32 = X (YLAA0070, YLAA0080, YLAA0089, YLAA0100, YLAA0101).....	49
TABLE 28 - 1-BDP Discharge Pressure Wiring Detail Pin 32 = X (YLAA0070, YLAA0080, YLAA0089, YLAA0100, YLAA0101)	49
TABLE 29 - 2-BDP Discharge Pressure Wiring Detail Pin 32 = X (YLAA0070, YLAA0080, YLAA0089, YLAA0100, YLAA0101)	50
TABLE 30 - Sensor Wiring Pin 32 = X (YLAA0092, YLAA0115, YLAA0120).....	50
TABLE 31 - Sensor Wiring Pin 32 = X (YLAA0125 - YLAA0175)	51
TABLE 32 - 1-BDP Discharge Pressure Wiring Detail Pin 32 = X (YLAA0092, YLAA0115 - YLAA0175).....	51
TABLE 33 - 2-BDP Discharge Pressure Wiring Detail Pin 32 = X (YLAA0092, YLAA0115 - YLAA0175).....	52
TABLE 34 - Sensor Wiring Pin 32 = E (YLAA0058).....	52
TABLE 35 - Sensor Wiring Pin 32 = E (YLAA0065).....	53
TABLE 36 - 1-BDP Suction Pressure Wiring Detail Pin 32 = E (YLAA0058, YLAA0081).....	53
TABLE 37 - 1-BDP Suction Pressure Wiring Detail Pin 32 = E (YLAA0065).....	54
TABLE 38 - 2-BDP Suction Pressure Wiring Detail Pin 32 = E (YLAA0058, YLAA0065).....	54
TABLE 39 - Sensor Wiring Pin 32 = E (YLAA0070, YLAA0080, YLAA0089, YLAA0100, YLAA0101).....	55
TABLE 40 - 1-BDP Suction Pressure Wiring Detail Pin 32 = E (YLAA0070, YLAA0080, YLAA0089, YLAA0100, YLAA0101)	55
TABLE 41 - 2-BDP Suction Pressure Wiring Detail Pin 32 = E (YLAA0070, YLAA0080, YLAA0089, YLAA0100, YLAA0101)	56
TABLE 42 - Sensor Wiring Pin 32 = E (YLAA0081).....	56
TABLE 43 - 2-BDP Suction Pressure Wiring Detail Pin 32 = E (YLAA0081).....	57
TABLE 44 - Sensor Wiring Pin 32 = E (YLAA0092 - YLAA0125)	57
TABLE 45 - Sensor Wiring Pin 32 = E (YLAA0136 - YLAA0175)	58
TABLE 46 - 1-BDP Suction Pressure Wiring Detail Pin 32 = E (YLAA0092 - YLAA0175).....	58
TABLE 47 - 2-BDP Suction Pressure Wiring Detail Pin 32 = E (YLAA0092 - YLAA0175).....	59
TABLE 48 - System Wiring Standard Valves (Pin 32 = X).....	59
TABLE 49 - System Wiring Standard Valves Panel Parts (Pin 32 = X).....	60
TABLE 50 - System Wiring Electronic Expansion Valves (Pin 32 = E) (Pin 20 = H, S, A, B).....	61

LIST OF TABLES (CONT'D)

TABLE 51 - System Wiring Electronic Expansion Valves Panel Parts (Pin 32 = E) (Pin 20 = H, S, A, B)	62
TABLE 52 - System Wiring Harness Details	65
TABLE 53 - Power Enclosure (Pin 14 = C or F).....	71
TABLE 54 - Power Enclosure (Pin 14 = A or D).....	73
TABLE 55 - Control Panel and Power Panel Identifiers For Low Sound and Ultra Quiet Fans	76
TABLE 56 - Control Panel and Power Panel Identifiers For High Air Flow Fans	77
TABLE 57 - Single Point Terminal Block Standard Or Ultra Quiet Fans (Pin 52 = X or L) (SX).....	80
TABLE 58 - Single Point Terminal Block High Air Flow Fans (Pin 52 = G) (SX)	84
TABLE 59 - Single Point Terminal Block Standard or Ultra Quiet Fans (Pin 52 = X or L) (SD)	88
TABLE 60 - Single Point Terminal Block High Air Flow Fans (Pin 52 = G) (SD).....	92
TABLE 61 - Single Point Terminal Block Standard or Ultra Quiet Fans (Pin 52 = X or L) (BX).....	96
TABLE 62 - Single Point Terminal Block High Air Flow Fans (Pin 52 = G) (BX)	100
TABLE 63 - Single Point Terminal Block Standard or Ultra Quiet Fans (Pin 52 = X or L) (BC)	103
TABLE 64 - Single Point Terminal Block High Air Flow Fans (Pin 52 = G) (BC).....	108
TABLE 65 - Power Panel Fuses and Contactors	113
TABLE 66 - EEV Panel Kit.....	113
TABLE 67 - Hot Gas By-Pass Standard Valves (Pin 32 = X).....	114
TABLE 68 - Hot Gas By-Pass EEV (Pin 32 = E).....	115
TABLE 69 - Low Ambient Standard Kit	117
TABLE 70 - Low Ambient Expansion Valve	119
TABLE 71 - Low Ambient Wiring Harness Details	122
TABLE 72 - Power Factor Capacitor.....	124
TABLE 73 - Heat Recovery Assembly	126
TABLE 74 - Enclosure Kit Option.....	131
TABLE 75 - Wire Enclosure Panels	132
TABLE 76 - Louvered Enclosure Panels.....	135
TABLE 77 - Wire Louver Enclosure Panels (Pin 46 = X).....	141
TABLE 78 - Wire Louver Enclosure Heat Recovery (Pin 46 = H).....	143
TABLE 79 - Louver Enclosure Panels Condenser Only.....	148
TABLE 80 - Louver Enclosure Heat Recovery.....	149
TABLE 81 - Mechanical Extension Kit YLAA0058 - YLAA0120	150
TABLE 82 - Mechanical Extension Kit YLAA0125 - YLAA0175	151
TABLE 83 - Electronic Extension Kit.....	153
TABLE 84 - Pump Electrical Common Parts.....	154
TABLE 85 - Pump Selection	156
TABLE 86 - Aesthetic Panel.....	159
TABLE 87 - Keypad Overlays	160
TABLE 88 - E-Link Kit	160
TABLE 89 - Vibration Isolators Part Numbers.....	161
TABLE 90 - Field Installed Options Part Numbers.....	162
TABLE 91 - Control Transformer.....	162
TABLE 92 - Consumables.....	163
TABLE 93 - Recommended Spares.....	164
TABLE 94 - SI Metric Conversion	165

TABLE 1 - COMPLETE PIN NUMBER DESCRIPTION

FEATURE	FEATURE DESCRIPTION	OPTION	OPTION DESCRIPTION
MODEL	Model (PIN 1-4)		YLAA
CAP	Capacity (PIN 5-8)	0058	0058
		0065	0065
		0070	0070
		0080	0080
		0081	0081
		0089	0089
		0092	0092
		0100	0100
		0101	0101
		0115	0115
		0120	0120
		0125	0125
		0136	0136
		0142	0142
		0150	0150
		0155	0155
0156	0156		
0170	0170		
0175	0175		
UNIT	Unit Designator (PIN 9)	S	Standard Efficiency
		H	High Efficiency
		Y	High Efficiency (Round Tube)
		Z	Standard Efficiency (Round Tube)
REF	Refrigerant (PIN 10)	E	R-410A
VOLTS	Voltage (PIN 11 & 12)	17	200/3/60
		28	230/3/60
		40	380/3/60
		46	460/3/60
		50	380-415/3/50
		58	575/3/60
STARTER	Starter (PIN 13)	X	Across the Line starter
		T	Soft Start
DESIGN	Design Series (PIN 14)	A	Design Series A (MicroChannel)
		B	Design Series B (Tube and Fin)
		C	Design Series C (MicroChannel CE/ETL Panel)
DEV	Development Level (PIN 15)	A	Development Level A
POWER	Power Field (PIN 16 & 17)	XX	MP Supply TB
		SX	SP Supply TB
		SD	SP NF Disconnect Switch
		BX	SP Circuit Breaker w/ Lockable Handle
		DB	SP NF Disc Switch w/Ind Sys CB
		MB	MP Supply w/Ind Sys CB & L Ext Handles
		MD	MP NF Disc Switches

TABLE 1 - COMPLETE PIN NUMBER DESCRIPTION (CONT'D)

FEATURE	FEATURE DESCRIPTION	OPTION	OPTION DESCRIPTION
TRANS	Cntrl Transformer (PIN 18)	X	No Control Transformer Required
		T	Control Transformer Required
		Q	Special Control Transformer Required
PFC	Power Factor Capacitor (19)	X	No Power Capacitor required
		C	Power Capacitor required
		Q	Special Power Capacitor required
AMB	Ambient Kits (PIN 20)	H	High Ambient Kit Standard (factory)
		A	Both Low/High Ambient Kit required (factory)
		B	Both Low/High Ambient Kit w/Sunshield (factory)
		S	High Ambient Kit w/Sunshield (factory)
		Q	Special Ambient Kit required
BAS	Bas Reset/Offset (PIN 21)	X	BAS Reset/Offset required (standard)
		L	LON E-Link Kit (factory)
		Q	Special BAS Reset/Offset required
LCD	Language (PIN 22)	X	English
		S	Spanish
		C	Chinese (Simplified)
		E	English with Chinese Displayed Board
		F	French
		G	German
		I	Italian
RDOUT	Readout Kits (PIN 23)	B	Both Discharge & Suction Pressure Transducer Readout required
		Q	Special Pressure Readout required
SAFETY	Safety Codes (PIN 24)	C	European Safety Code (CE)
		G	China Safety Code (GB)
		L	N American Safety Code (cUL/cETL)
SENSOR	PIN 25	X	X
		Q	Special Quote
PUMP	Motor Current Module (PIN 26)	C	Motor Current Module
		Q	Special Quote
REMOTE	Remote Panel (PIN 27)	X	No Remote Panel required
		Q	Special Remote Panel required
SEQ	Sequence Kit (PIN 28)	X	No Sequence Kit required
		Q	Special Sequence Kit required
TEMP	Leaving Water Temp(29,30)		
CHICAGO	Chicago Code Kit (PIN 31)	X	No Chicago Code Kit required
		B	Both Chicago Code & Serv Isolation
		C	Chicago Code Kit required
		G	Both Suction Service Valve and Dual Relief Valve (Europe only)
		R	Dual Relief Valves no Suction Service Valve (Europe only)
		S	Service Isolation Valves
		Q	Special Chicago Code Kit required
VALVES	Valves (PIN 32)	X	Standard Valves Req'd
		E	Electronic Expansion Valve
		Q	Special Optional Valves Req'd

TABLE 1 - COMPLETE PIN NUMBER DESCRIPTION (CONT'D)

FEATURE	FEATURE DESCRIPTION	OPTION	OPTION DESCRIPTION
HGBP	Hot Gas Bypass (PIN 33)	X	No Hot Gas Bypass required
		1	Hot Gas Bypass required - 1 circuit
		Q	Special Hot Gas Bypass required
GAUGE	PIN 34	X	X
		Q	Special Quote
OVERLOAD	PIN 35	X	X
		Q	Special Quote
PIN36	PIN 36	X	X
		Q	Special Quote
HTR	Crankcase Heater (Pin 37)	H	Crankcase Heater Standard
		Q	Special Crankcase Heater required
DWP	DWP (PIN 38)	X	150psig DWP Waterside
		Q	Special Quote
INS	Insulation (PIN 39)	X	Standard Insulation
		D	Double Thick Insulation
		Q	Special Insulation required
FLANGES	Flanges (PIN 40)	X	No Flanges required
		V	Victaulic Flanges required
		Q	Special Flanges required
FLOW	Flow Switch (PIN 41)	X	No Flow Switch required
		S	One Flow Switch Required
		T	Two Flow Switches Required
		U	Three Flow Switches Required
		D	One Differential Pressure Switch Required
		E	Two Differential Pressure Switches Required
		F	Three Differential Pressure Switches Required
Q	Special Flow Switch required		
VESSEL	Vessel Codes (PIN 42)	A	ASME Pressure Vessel Codes
		E	PED Pressure Vessel Codes
		G	GB Pressure Vessel Codes
		Q	Special Quote
CLR	Cooler (PIN 43)	X	Standard Cooler required
		R	Remote Cooler required
		Q	Special Cooler required
PIN44	PIN 44	X	X
		Q	Special Quote
COILS	Coils (PIN 45)	X	Aluminum Coils
		C	Copper Fin Coils
		B	Pre-Coated Fin Coils
		P	Post-Coated Dipped Coils
		Q	Special Coils
HEAT	Heat Recovery (PIN 46)	X	No Option required
		H	Heat Recovery
		Q	Special Quote

TABLE 1 - COMPLETE PIN NUMBER DESCRIPTION (CONT'D)

FEATURE	FEATURE DESCRIPTION	OPTION	OPTION DESCRIPTION
FANMOTORS	Fan Motors (PIN 47)	X	TEAO Fan Motors
		Q	Special Fan Motors required
ENCL	Enclosure Panels (PIN 48)	X	No Enclosure required
		1	Wire (Full Unit) Encl Panels (factory)
		2	Wire (Full Unit) Encl Panels (field)
		3	Wire/Louvered Encl Panels (factory)
		4	Wire/Louvered Encl Panels (field)
		5	Louvered (Cond only) Encl Panels (factory)
		6	Louvered (Cond only) Encl Panels (field)
		7	Louvered (Full Unit) Encl Panels (factory)
		8	Louvered (Full Unit) Encl Panels (field)
		9	End Louver (End Hail Guard) Encl Panels (factory)
		A	End Louver (End Hail Guard) Encl Panels (field)
		B	Aesthetic Panel Kit only (factory)
		C	Aesthetic Panel Kit only (field)
		D	Aesthetic Panel Kit plus Hail Guards (factory)
		E	Aesthetic Panel Kit plus Hail Guards (field)
Q	Special Enclosure Panels		
ACOUSTIC	Acoustic Blanket (PIN 49)	X	No Acoustic Blanket required
		B	Acoustic Blanket Required
		E	Acoustic Enclosure
		Q	Special Acoustic Blanket required
SRDOCS	SR Documents (PIN 50)	X	No Documents Required
		A	Base, Material & Witness Documents
		B	Base Document
		M	Base & Material Documents
		W	Base & Witness Documents
		Q	Special Quote
FANS	Sound Fans (PIN 52)	X	Standard Low Sound Fans required
		A	High Airflow Fans required (Vendor Specific)
		E	Low Sound Fans required (Vendor Specific)
		G	High AirFlow Fans required
		L	Ultra Quiet Fans required
		S	High Static Fans required (Vendor Specific)
		U	Ultra Quiet Fans required (Vendor Specific)
		2	Two Speed Fans required (Vendor Specific)
		Q	Special Sound Fans required
ISOL	Vibration Isolators (PIN 54)	X	No Isolators required
		1	1" Deflection Isolators required
		N	Neoprene Isolators required
		S	Seismic Isolators required
		Q	Special Isolators required
PIN 61	PIN 61		Marketing Purposes Only!

UNIT COMPONENTS BASE ASSEMBLY

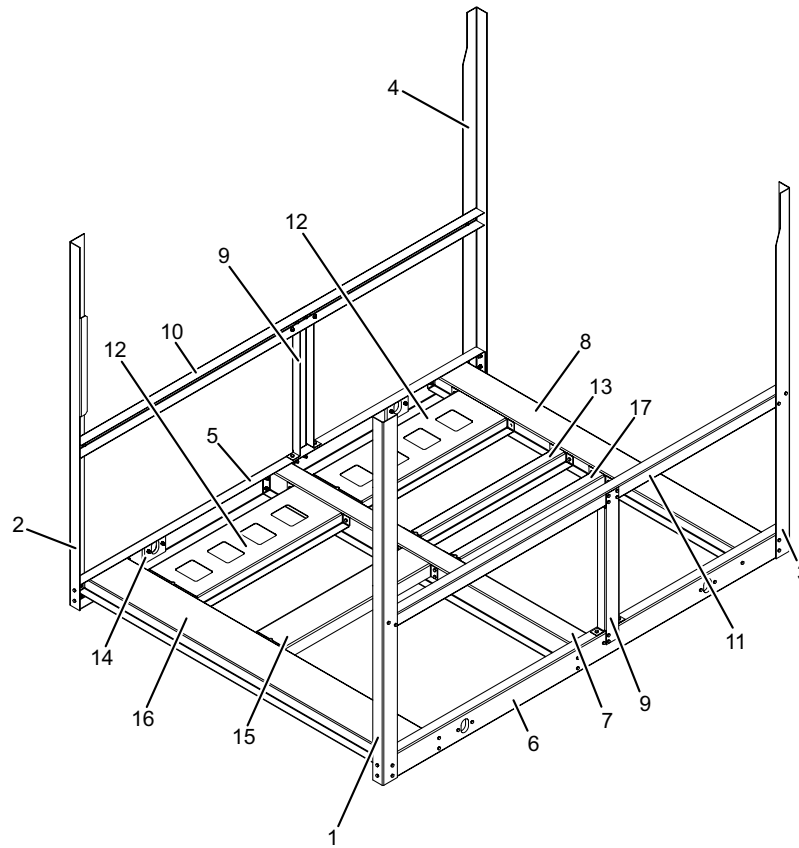
TABLE 2 - BASE ASSEMBLY YLAA0058 - YLAA0120

ITEM	DESCRIPTION	MODEL	PART NUMBER	SAP	QTY.	FIGURE
1	Angle Base Front Corner	YLAA0058 - YLAA0120	092-07648-000	817287	1	1,2
2	Angle Base Front Corner	YLAA0058 - YLAA0120	092-07648-001	817288	1	1,2
3	Angle Base Rear Corner	YLAA0058 - YLAA0120	092-07648-003	817290	1	1,2
4	Angle Base Rear Corner	YLAA0058 - YLAA0120	092-07648-004	817291	1	1,2
5	Channel Base Support	YLAA0058 , YLAA0065, YLAA0081	092-07648-119	1083636	1	1,2
		YLAA0070, YLAA0080	092-07648-005	817292	1	
		YLAA0089	092-07648-005	817292	1	
		YLAA0092, YLAA0100 - YLAA0120	092-07648-016	843983	1	
6	Channel Base Support	YLAA0058, YLAA0065, YLAA0081	092-07648-121	1083638	1	1,2
		YLAA0070, YLAA0080, YLAA0089	092-07648-009	817296	1	
		YLAA0092 - YLAA0120	092-07648-025	843992	1	
7	Beam Cross Support	YLAA0058 - YLAA0120	092-07648-007	817294	1	1,2
8	Beam Cross Support	YLAA0058 - YLAA0089	092-07648-008	817295	1	1,2
		YLAA0092 - YLAA0115	092-07648-099	1039318	1	
		YLAA0120	092-07648-097	1039316	1	
9	Beam Vertical Support	YLAA0058 - YLAA0120	092-07648-002	817289	2	1,2
10	Channel Coil Support	YLAA0058, YLAA0065, YLAA0081	092-07648-120	1083637	1	1,2
		YLAA0070, YLAA0080, YLAA0089	092-07648-006	817293	1	
		YLAA0092 - YLAA0120	092-07648-017	843984	1	
11	Channel Coil Support	YLAA0058, YLAA0065, YLAA0081	092-07648-122	1083639	1	1,2
		YLAA0070, YLAA0080, YLAA0089	092-07648-010	817297	1	
		YLAA0092 - YLAA0120	092-07648-018	843985	1	
12	Beam Comp Support	YLAA0058, YLAA0065, YLAA0081	092-07648-123	1083640	2	1,2
		YLAA0070, YLAA0080, YLAA0089	092-07648-011	817298	2	
		YLAA0092 - YLAA0120	092-07648-019	843986	1	
13	Beam Plate HX Support	YLAA0058, YLAA0065	092-07648-126	1083642	1	1,2
		YLAA0070	092-07648-103	1039532	1	
		YLAA0080	092-07648-105	1039534	1	
		YLAA0081	092-07648-131	1083645	1	
		YLAA0089	092-07648-107	1039536	1	
		YLAA0092 - YLAA0120	092-07648-034	843994	2	

TABLE 2 - BASE ASSEMBLY YLAA0058 - YLAA0120 (CONT'D)

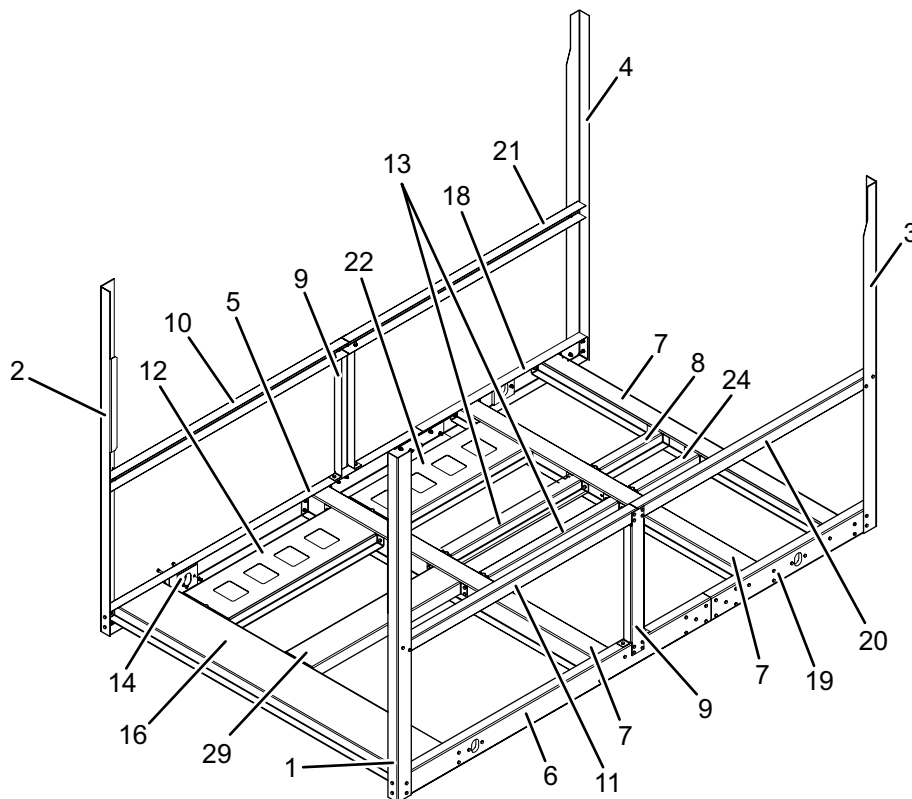
ITEM	DESCRIPTION	MODEL	PART NUMBER	SAP	QTY.	FIGURE
14	Beam Plate HX Support	YLAA0058, YLAA0065	092-07648-127	1083643	1	1,2
		YLAA0070, YLAA0080, YLAA0089 - YLAA0120	075-65620-000	561203	20	
		YLAA0081	092-07648-132	1083646	1	
15	Beam Filter/Dryer Support	YLAA0058, YLAA0065, YLAA0081	092-07648-125	1083641	1	1
		YLAA0070, YLAA0080, YLAA0089	092-07648-014	817299	1	
		YLAA0092	092-07648-036	843996	1	
16	Beam Cross Support	YLAA0058, YLAA0065, YLAA0081	092-07648-130	1083644	1	1,2
		YLAA0070	092-07648-104	1039533	1	
		YLAA0080	092-07648-106	1039535	1	
		YLAA0089	092-07648-108	1039537	1	
		YLAA0092-YLAA0120	092-07648-035	843995	1	
17	Plate Lifting Reinforcing	YLAA0058, YLAA0065, YLAA0081	075-65620-000	561203	20	1
	Beam Cross Support 4/6 Fan	YLAA0070, YLAA0080, YLAA0089	092-07648-129	1084531	1	
	Channel Side Connection	YLAA0092 - YLAA0120	092-07648-026	843993	2	
18	Channel, Base Support	YLAA0092 - YLAA0120	092-07648-024	843991	1	2
19	Channel, Base Support	YLAA0092 - YLAA0120	092-07648-023	843990	1	2
20	Channel, Coil Support	YLAA0092 - YLAA0120	092-07648-022	843989	1	2
21	Channel, Coil Support	YLAA0092 - YLAA0120	092-07648-021	843988	1	2
22	Beam, Comp Support	YLAA0092 - YLAA0120	092-07648-020	843987	1	2
24	Beam Plate HX Support	YLAA0092 - YLAA0115	092-07648-100	1039319	1	2
		YLAA0120	092-07648-098	1039317	1	
29	Beam Cross Support 4/6 Fan	YLAA0092 - YLAA0120	092-07648-129	1084531	1	2

NOTE: Items with an * are NOT represented.



LD18102

FIGURE 1 - BASE ASSEMBLY YLAA0058 - YLAA0089

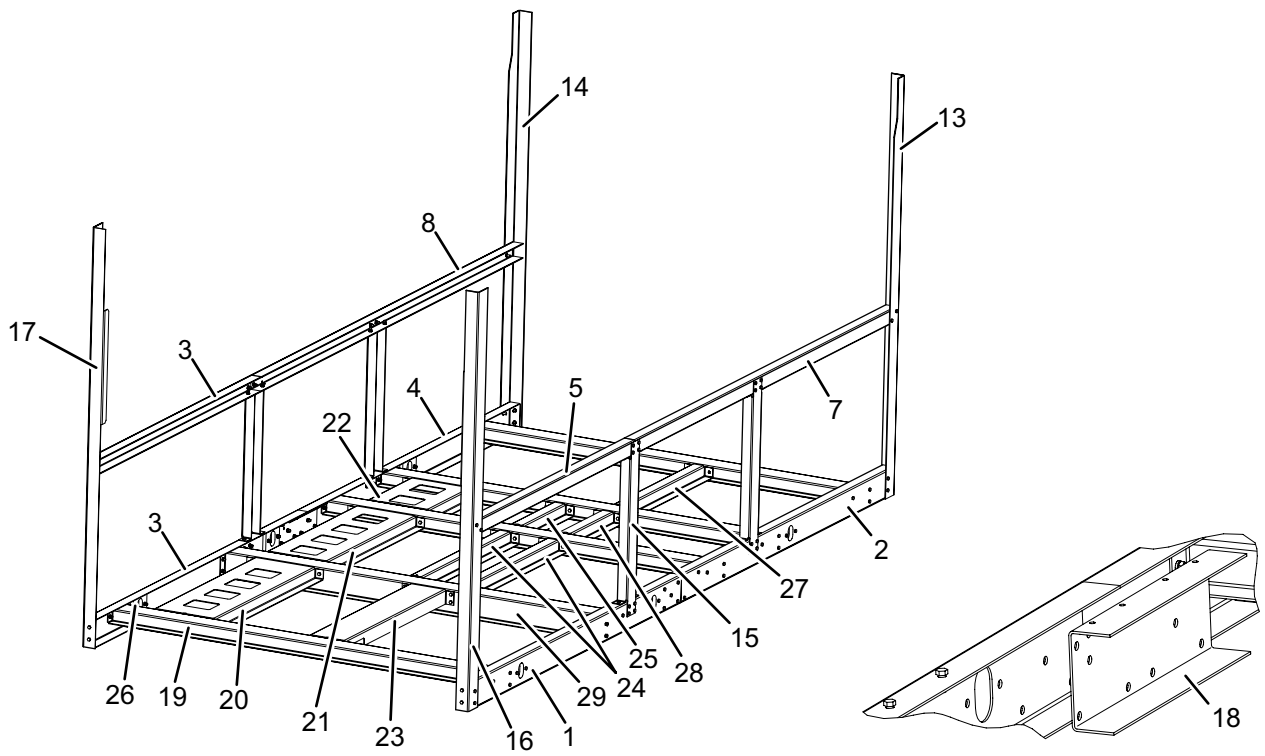


LD18103

FIGURE 2 - BASE ASSEMBLY YLAA0092 - YLAA0120

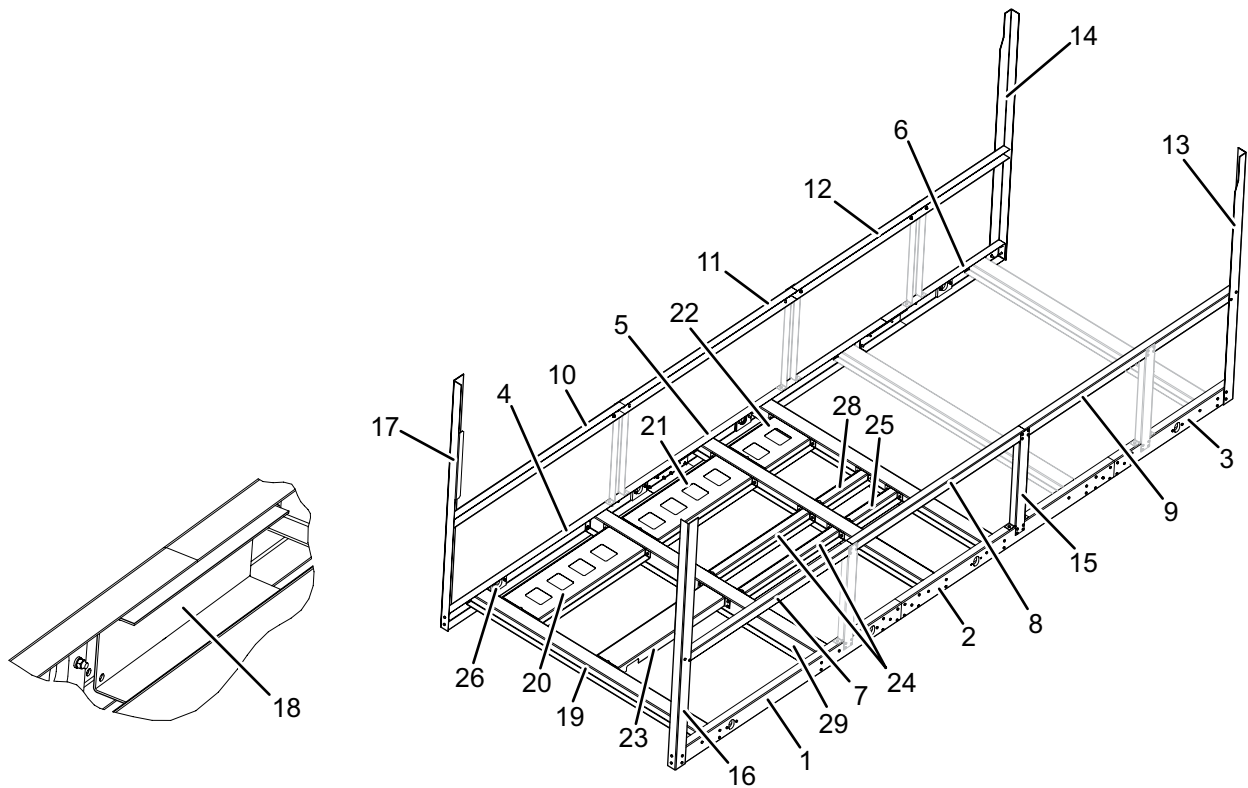
TABLE 3 - BASE ASSEMBLY YLAA0125 - YLAA0175

ITEM	DESCRIPTION	MODEL	PART NUMBER	SAP	QTY.	FIGURE
1	Channel Base Support	YLAA0125 - YLAA0175	092-07648-031	927779	1	3,4
2	Channel Base Support	YLAA0125 - YLAA0175	092-07648-028	927776	1	3,4
3	Channel Base Support	YLAA0125 - YLAA0175	092-07648-032	927780	1	3,4
4	Channel Base Support	YLAA0125 - YLAA0175	092-07648-027	927775	1	3,4
5	Channel Coil Support	YLAA0125 - YLAA0155	092-07648-087	927792	1	3,4
		YLAA0156 - YLAA0175	092-07648-071	927782	1	
6	Channel Coil Support	YLAA0125 - YLAA0155	092-07648-086	927791	1	4
		YLAA0156 - YLAA0175	092-07648-073	927784	1	
7	Channel Coil Support	YLAA0125 - YLAA0155	092-07648-029	927777	1	3,4
		YLAA0156 - YLAA0175	092-07648-078	927789	1	
8	Channel Coil Support	YLAA0125 - YLAA0155	092-07648-030	927778	1	3,4
		YLAA0156 - YLAA0175	092-07648-076	927787	1	
13	Angle Base Rear Corner	YLAA0125 - YLAA0175	092-07648-003	817290	1	3,4
14	Angle Base Rear Corner	YLAA0125 - YLAA0175	092-07648-004	817291	1	3,4
15	Beam Vertical Support	YLAA0125 - YLAA0175	092-07648-002	817289	4	3,4
16	Angle Base Front Corner	YLAA0125 - YLAA0175	092-07648-000	817287	1	3,4
17	Angle Base Front Corner	YLAA0125 - YLAA0175	092-07648-001	817288	1	3,4
18	Channel Side Connection	YLAA0125 - YLAA0175	092-07648-026	843993	2	3,4
19	Beam Cross Support	YLAA0125 - YLAA0175	092-07648-090	927795	4	3,4
20	Beam, Comp Support	YLAA0125 - YLAA0175	092-07648-019	843986	1	3,4
21	Beam, Comp Support	YLAA0125 - YLAA0175	092-07648-020	843987	1	3,4
22	Beam, Comp Support	YLAA0136, YLAA0142	092-07648-036	843996	1	3,4
23	Beam, Filter/Dryer Support	YLAA0125 - YLAA0175	092-07648-035	843995	1	3,4
24	Beam Plate Hx Support	YLAA0175	092-07648-098	1039317	1	3,4
		YLAA0125 - YLAA0155	092-07648-088	927793	2	
		YLAA0156, YLAA0170	092-07648-114	1055953	1	
25	Beam Plate Hx Support	YLAA0125	092-07648-111	1055650	1	3,4
		YLAA0136, YLAA0150	092-07648-113	1055952	1	
		YLAA0142, YLAA0155	092-07648-115	1055954	1	
		YLAA0156 - YLAA0175	092-07648-088	927793	2	
26	Plate Lifting Reinforcing	YLAA0125 - YLAA0175	075-65620-000	561203	30	3,4
27	Beam Extension Kit Support	YLAA0125 - YLAA0155	092-07648-095	927798	1	3
		YLAA0156 - YLAA0175	092-07648-096	927799	1	
28	Beam Plate Hx Support	YLAA0125	092-07648-112	1055951	1	3,4
		YLAA0136, YLAA0150	092-07648-114	1055953	1	
		YLAA0142, YLAA0155	092-07648-116	1055955	1	
		YLAA0156, YLAA0170	092-07648-113	1055952	1	
		YLAA0175	092-07648-097	1039316	1	
29	Beam Cross Support 8/10 Fan	YLAA0125 - YLAA0175	092-07648-128	1084530	1	3,4



LD18104

FIGURE 3 - BASE ASSEMBLY YLAA0125 - YLAA0155



LD18105

FIGURE 4 - BASE ASSEMBLY YLAA0156 - YLAA0175

COMPRESSOR

TABLE 4 - COMPRESSOR PART NUMBERS

MODEL	VOLTAGE (PIN 11 & 12)	SYSTEM #1 COMPRESSOR		QUANTITY
		PART NUMBER	MODEL	
YLAA0058, YLAA0080, YLAA0081, YLAA0089, YLAA0092, YLAA0100, YLAA0101	17, 28	015-04560-102	GSD60182VA	2
	40	015-04560-103		
	46	015-04560-104		
	58	015-04560-105		
YLAA0065, YLAA0070	17, 28	015-04561-102	GSD60154VA	3
	40	015-04561-103		
	46	015-04561-104		
	58	015-04561-105		
YLAA0115, YLAA0120, YLAA0125, YLAA0136, YLAA0142	17, 28	015-04551-102	GSD80385VA	2
	40	015-04551-103		
	46	015-04551-104		
	58	015-04551-105		
YLAA0150, YLAA0155, YLAA0156	17, 28	015-04551-103	GSD80385VA	3
	40	015-04551-103		
	46	015-04551-104		
	58	015-04551-105		
YLAA0170, YLAA0175	17, 28	015-04551-102	GSD80385VA	3
	40	015-04551-103		
	46	015-04551-104		
	58	015-04551-105		

NOTE: When required order the following specific compressor oil for Bitzer Compressors.

Compressor Oil Bitzer, PVE (1-quart container) 011-00981-000

Compressor Oil Bitzer, PVE (5-gallon container) 011-00982-000

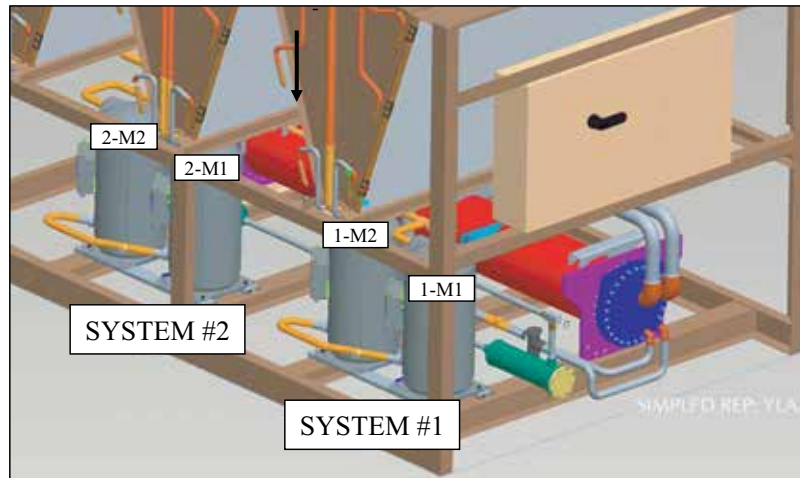
TABLE 4 - COMPRESSOR PART NUMBERS (CONT'D)

MODEL	VOLTAGE (PIN 11 & 12)	SYSTEM #2 COMPRESSOR		QUANTITY
		PART NUMBER	MODEL	
YLAA0058, YLAA0065	17, 28	015-04560-102	GSD60182VA	2
	40	015-04560-103		
	46	015-04560-104		
	58	015-04560-105		
YLAA0070, YLAA0080, YLAA0081	17, 28	015-04561-102	GSD60154VA	3
	40	015-04561-103		
	46	015-04561-104		
	58	015-04561-105		
YLAA0089, YLAA0092, YLAA0136, YLAA0142	17, 28	015-04560-102	GSD6182VA	3
	40	015-04560-103		
	46	015-04560-104		
	58	015-04560-105		
YLAA0100, YLAA0101, YLAA0115, YLAA0120, YLAA0125	17, 28	015-04551-102	GSD80385VA	2
	40	015-04551-103		
	46	015-04551-104		
	58	015-04551-105		
YLAA0150, YLAA0155, YLAA0156	17, 28	015-04551-103	GSD80385VA	2
	40	015-04551-103		
	46	015-04551-104		
	58	015-04551-105		
YLAA0170	17, 28	015-04551-102	GSD80385VA	2
	40	015-04551-103		
	46	015-04551-104		
	58	015-04551-105		

NOTE: When required order the following specific compressor oil for Bitzer Compressors.

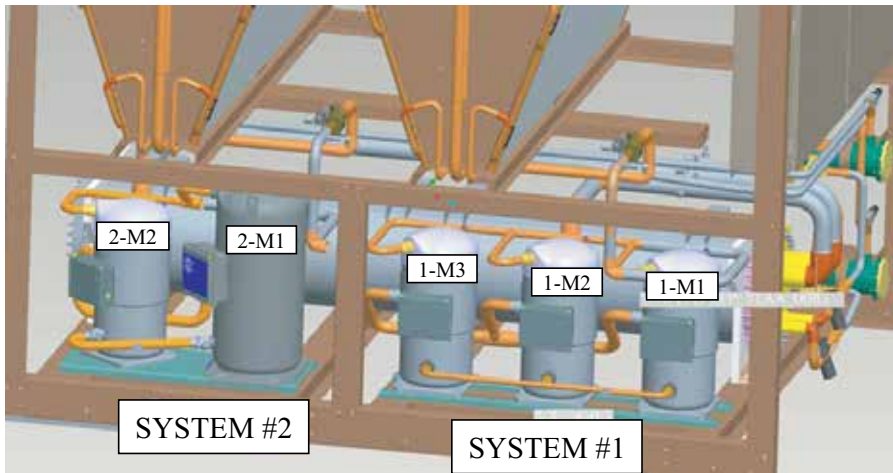
Compressor Oil Bitzer, PVE (1-quart container) 011-00981-000

Compressor Oil Bitzer, PVE (5-gallon container) 011-00982-000



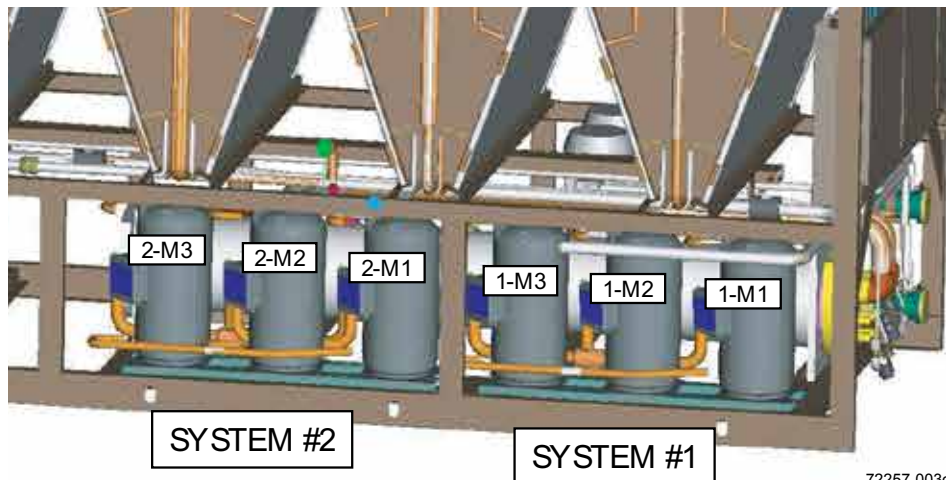
YLAA0058, 0091, 0115, 0120 & YLAA0125

72257-001c



YLAA0065, 0100, 0101, 0150, 0155 & YLAA0156

72257-002c



YLAA0070, 0080, 0081, 0089, 0092, 0136, 0142, 0170 & YLAA0175

72257-003c

FIGURE 5 - COMPRESSOR LAYOUTS

SYSTEM PIPING

TABLE 5 - SYSTEM PIPING STANDARD VALVES (PIN 32 = X) (YLAA0058, YLAA0065, YLAA0081)

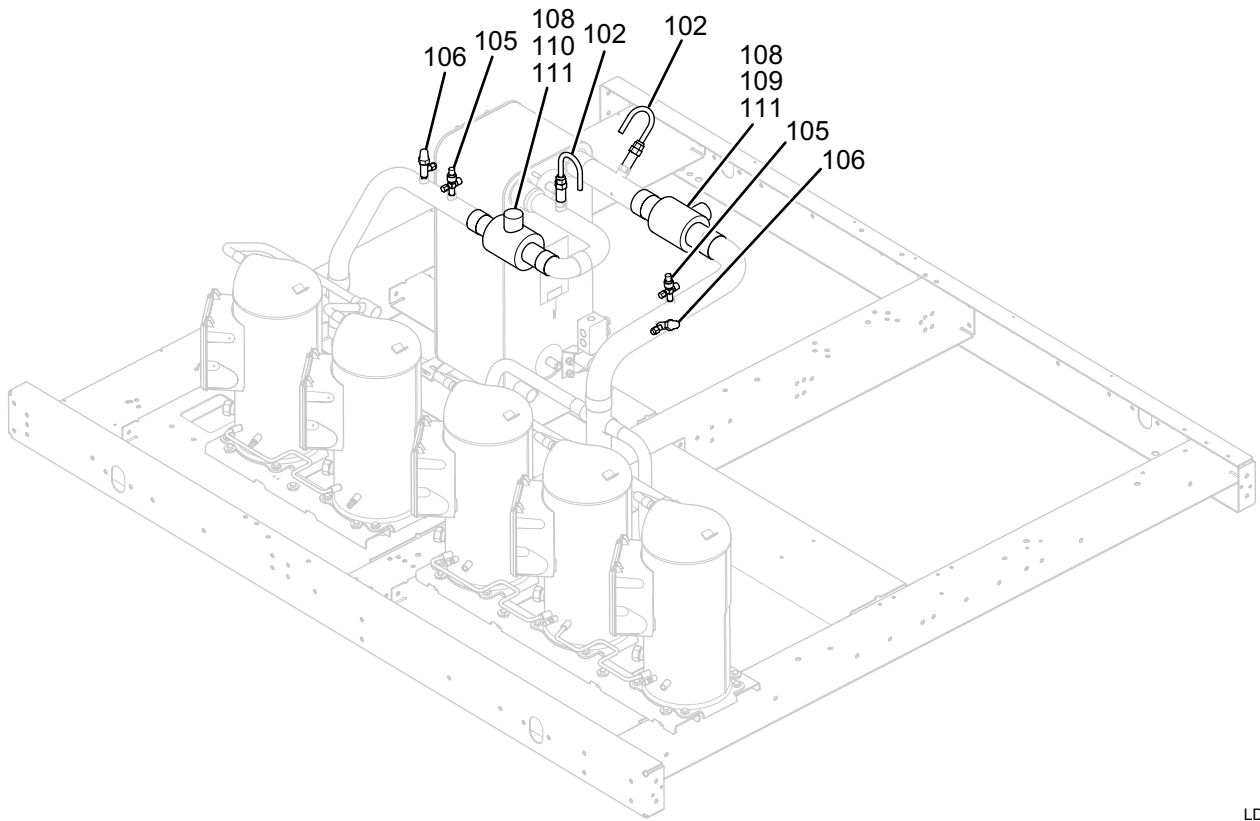
ITEM	DESCRIPTION	MODEL	PIN 31 OPTION	PART NUMBER	SAP NUMBER	FIGURE
102	Valve Rel.3/8Mptx1/2FI 400Psig	YLAA0058, YLAA0065, YLAA0081	X, C, S, B	022-11704-000	731425	6
105	Valve, Transducer 1/2 Solder X	YLAA0058, YLAA0065, YLAA0081	X, C, S, B	022-11735-000	430728	6,8
106	Valve, Charging Brass	YLAA0058, YLAA0065, YLAA0081	X, C, S, B	022-09754-000	391983	6
108	Valve, Ball 2-1/8 Ods Conn	YLAA0058, YLAA0065	S, B	022-09752-000	731278	6
109	Valve Shut Off Ball Valve	YLAA0081	S, B	022-09753-000	378432	6
111	Valve Shut Off Ball Valve	YLAA0065	S, B	022-09753-000	378432	6
118	Filter Drier Core 2 C-969	YLAA0058, YLAA0065, YLAA0081	X, C, S, B	026-43984-002	415229	7
119	CTG Dehy 100 Percent Molecular	YLAA0058, YLAA0065, YLAA0081	X or C	026-37540-000	740964	7
121	Valve, Solenoid 1-1/8 " Odf	YLAA0058, YLAA0065, YLAA0081	X, C, S, B	025-41743-000	740010	7
122	Special Adapter / Connector 1.125In M24	YLAA0058, YLAA0065, YLAA0081	X, C, S, B	026-37544-000	740965	7
123	Indicator Moist Liquid Cap M24 X 1	YLAA0058, YLAA0065, YLAA0081	X, C, S, B	026-37548-000	638590	7
124	Valve TXV, TGEL 40-31	YLAA0058, YLAA0065, YLAA0081	X, C, S, B	025-40900-003	739941	7
	Valve TEV 1-1/8" X1-3/8" Conns	YLAA0065, YLAA0081	S, B	025-40681-000	739877	
125	Valve TXV, TGEL 40-31	YLAA0065	S, B	025-40900-003	739941	7
128	Valve Stop Ang 1/4 NPTE X	YLAA0058, YLAA0065, YLAA0081	X, C, S, B	022-00009-000	257712	7
135	Valve, Ball 1-3/8 Ods Conn	YLAA0058, YLAA0065, YLAA0081	X, C, S, B	022-09750-000	731277	8
	Valve, Ball 1-5/8 Ods Conn's	YLAA0081	S, B	022-08883-000	731236	

NOTE: Items with an * are NOT represented.

TABLE 6 - SYSTEM PIPING EEV (PIN 32 = E) (YLAA0058, YLAA0065, YLAA0081)

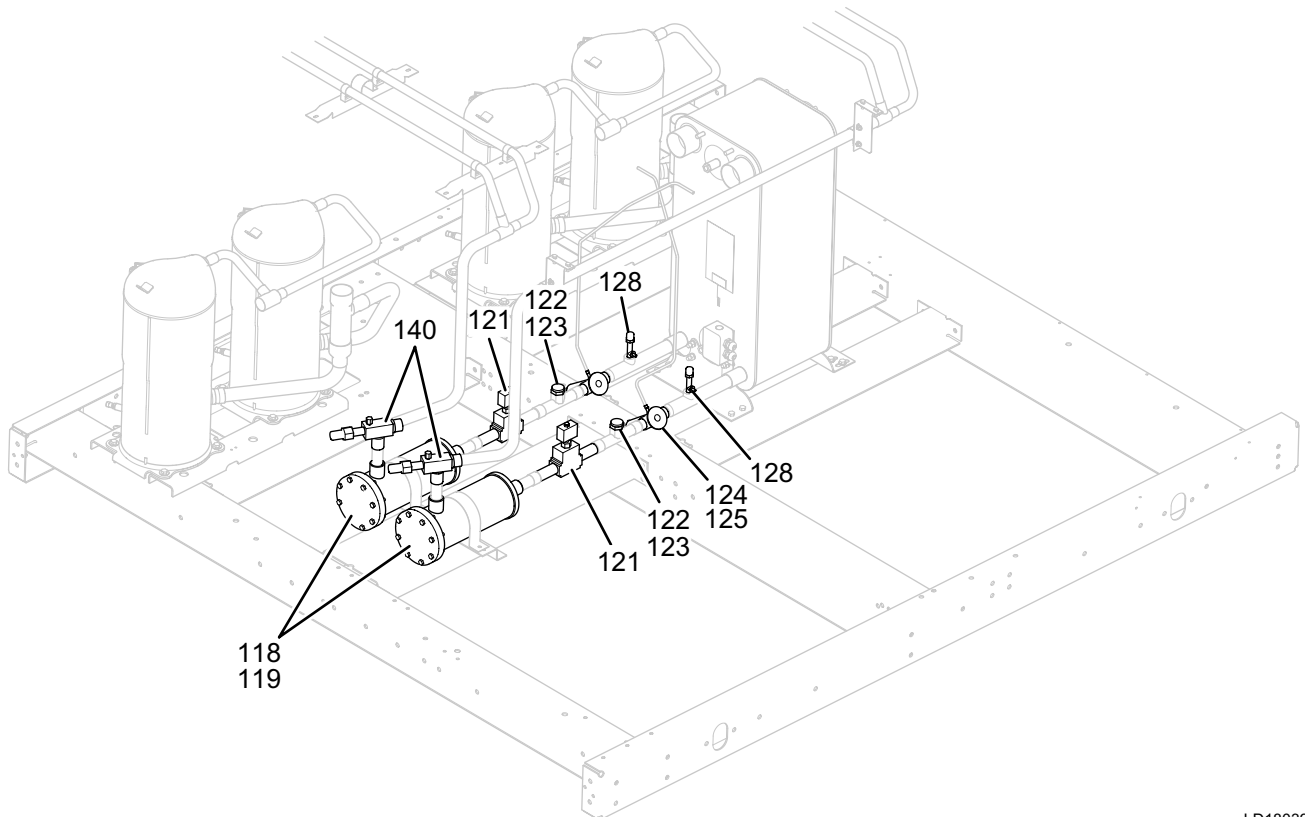
ITEM	DESCRIPTION	MODEL	PIN 31 OPTION	PART NUMBER	SAP NUMBER	FIGURE
102	Valve, Rel.3/8Mptx1/2FI 400Psig	YLAA0058, YLAA0065, YLAA0081	X, C, S, B	022-11704-000	731425	6
105	Valve, Transducer 1/2 Solder X	YLAA0058, YLAA0065, YLAA0081	X, C, S, B	022-11735-000	430728	6,8
106	Valve, Charging Brass	YLAA0058, YLAA0065, YLAA0081	X, C, S, B	022-09754-000	391983	6
108	Valve, Ball 2-1/8 Ods Conn	YLAA0058	S, B	022-09752-000	731278	6
110	Valve, Ball 2-1/8 Ods Conn	YLAA0065	S, B	022-09752-000	731278	6,7
111	Valve, Shut Off Ball Valve	YLAA0065	S, B	022-09753-000	378432	6
118	Filter, Drier Core 2 C-969	YLAA0058, YLAA0065, YLAA0081	X, C, S, B	026-43984-002	415229	7
119	CTG Dehy 100 Percent Molecular	YLAA0058, YLAA0065, YLAA0081	X or C	026-37540-000	740964	7
121	Valve, Solenoid 1-1/8 " Odf	YLAA0058, YLAA0065, YLAA0081	X, C, S, B	025-41743-000	740010	7
122	Special Adapter / Connector 1.125In M24	YLAA0058, YLAA0065, YLAA0081	X, C, S, B	026-37544-000	740965	7
123	Indicator Moist Liquid Cap M24 X 1	YLAA0058, YLAA0065, YLAA0081	X, C, S, B	026-37548-000	638590	7
124	Valve, Electronic ETS25 Danfoss	YLAA0058	X, C, S, B	025-42426-025	520120	7
	Valve, TEV 1-1/8" X1-3/8" Conns	YLAA0081	X, C	025-40681-000	739877	
	Valve, Expan. Elect Danfos	YLAA0065, YLAA0081	X, C, S, B	025-44670-050	740579	
125	Valve, Electronic ETS25 Danfoss	YLAA0065	X, C, S, B	025-42426-025	520120	7
128	Valve, Stop Ang 1/4 NPTE X	YLAA0058, YLAA0065, YLAA0081	X, C, S, B	022-00009-000	257712	7
135	Valve, Ball 1-3/8 Ods Conn	YLAA0058, YLAA0065	X, C, S, B	022-09750-000	731277	8
	Valve, Ball 1-5/8 Ods Conn's	YLAA0081	X,C	022-08883-000	731236	
136	Valve, Ball 1-3/8 Ods Conn	YLAA0081	X, C, S, B	022-09750-000	731277	8
140	Valve	YLAA0058, YLAA0065, YLAA0081	S,B	022-10022-000	62512	7

NOTE: Items with an * are NOT represented.



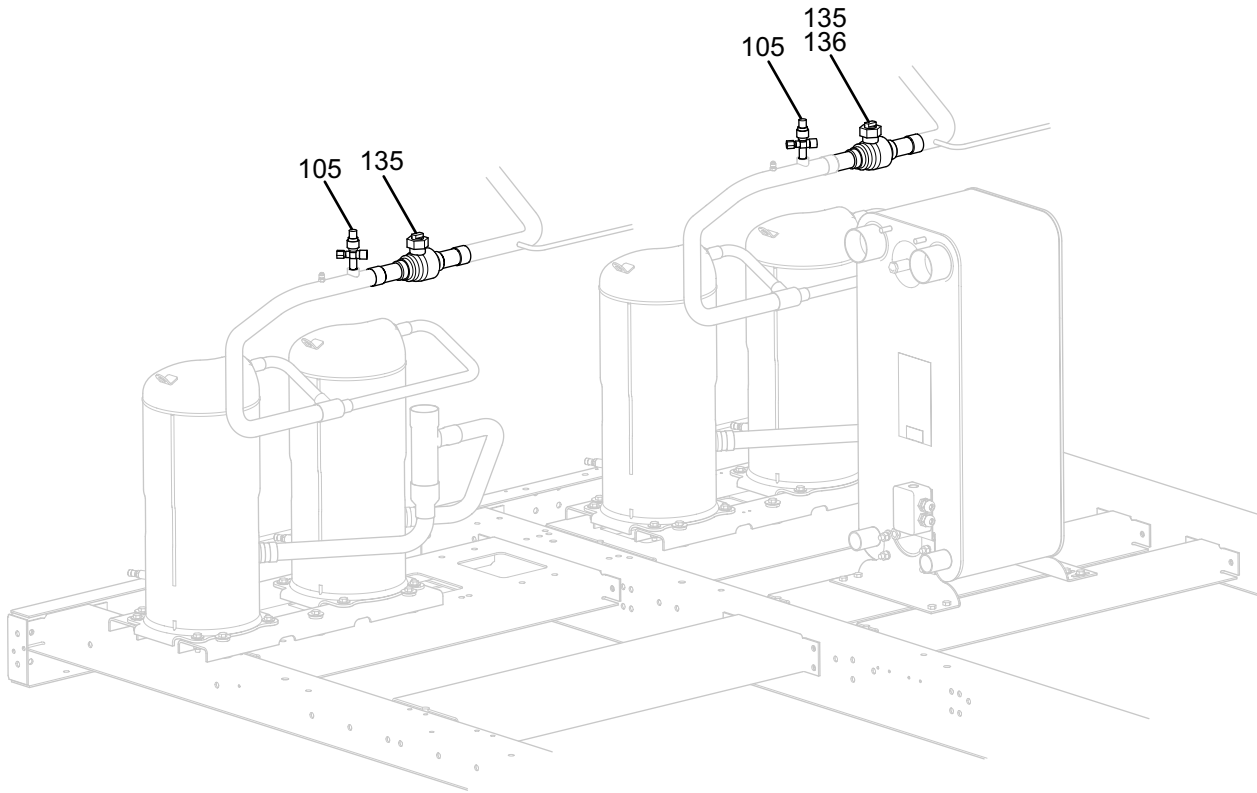
LD18038

FIGURE 6 - SYSTEM PIPING (YLAA0058, YLAA0065, YLAA0081)



LD18039

FIGURE 7 - SYSTEM PIPING (YLAA0058, YLAA0065, YLAA0081)



LD18047

FIGURE 8 - SYSTEM PIPING (YLAA0058, YLAA0065, YLAA0081)

TABLE 7 - SYSTEM PIPING STANDARD VALVES (PIN 32 = X) (YLAA0070, YLAA0080, YLAA0089)

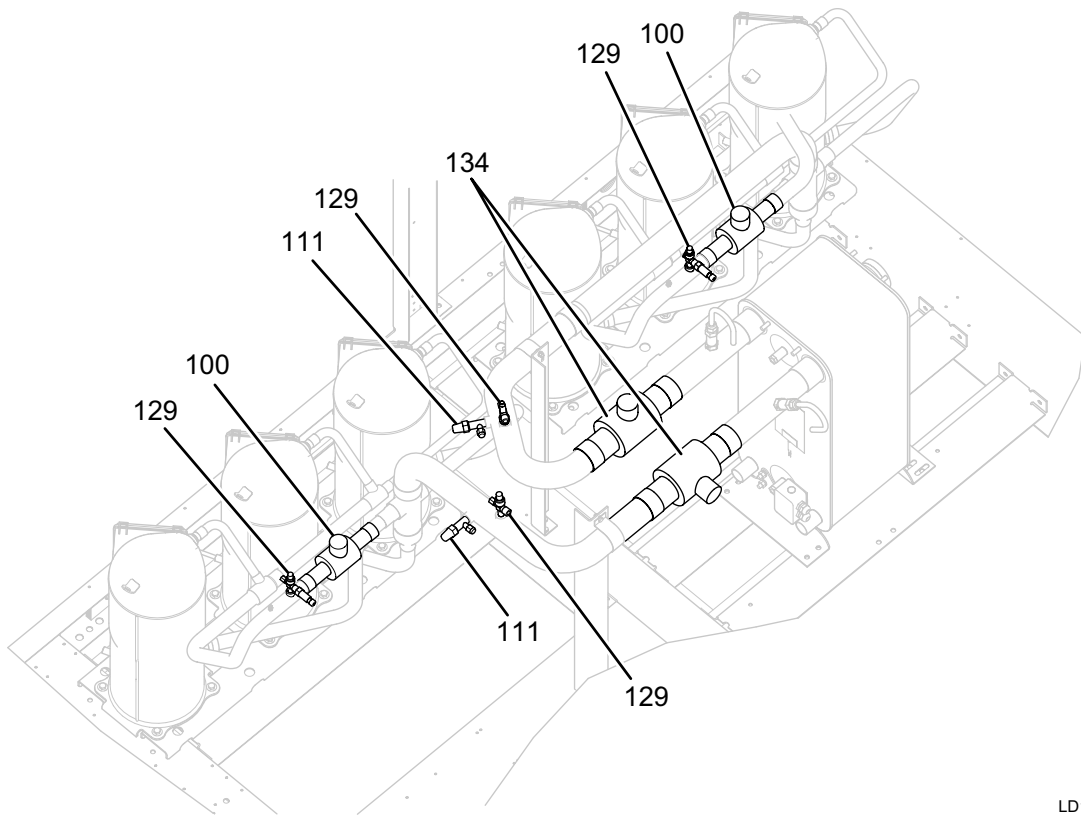
ITEM	DESCRIPTION	MODEL	PIN 31 OPTION	PART NUMBER	SAP NUMBER	FIGURE
100	Valve, Ball 1-5/8 Ods Conn's	YLAA0070, YLAA0080, YLAA0089	X, C, S, B	022-08883-000	731236	9
102	Valve TEV 1-1/8" X1-3/8" Cons TGEL40-35	YLAA0070	X, C, S, B	025-40666-000	371841	10
	Valve TEV 1-1/8" X1-3/8" Conns	YLAA0089	X, C, S, B	025-40681-000	739877	
103	Special Adapter / Connector 1.125In M24	YLAA0070, YLAA0080, YLAA0089	S or B	026-37544-000	740965	10
104	Valve	YLAA0070, YLAA0080, YLAA0089	X, C, S, B	022-10022-000	62512	10
105	Valve, Solenoid 1-1/8 " Odf	YLAA0070, YLAA0080, YLAA0089	X, C, S, B	025-41743-000	740010	10
106	Filter Drier Core 2 C-969	YLAA0070, YLAA0080, YLAA0089	X, C, S, B	026-43984-002	415229	10
107	CTG Dehy 100 Percent Molecular	YLAA0070, YLAA0080, YLAA0089	X, C, S, B	026-37540-000	740964	10
110	Valve Stop Ang 1/4 NPTE X	YLAA0070, YLAA0080, YLAA0089	X, C, S, B	022-00009-000	257712	10
111	Valve, Charging Brass	YLAA0070, YLAA0080, YLAA0089	X, C, S, B	022-09754-000	391983	9
129	Valve, Transducer 1/2 Solder X	YLAA0070, YLAA0080, YLAA0089	X, C, S, B	022-11735-000	430728	9
131	Indicator Moist Liquid Cap M24 X 1	YLAA0070, YLAA0080, YLAA0089	X, C, S, B	026-37548-000	638590	10
134	Valve Shut Off Ball Valve	YLAA0070, YLAA0080, YLAA0089	S, B	022-09753-000	378432	9
135	Valve TEV 1-1/8" X1-3/8" Cons TGEL40-35	YLAA0080	S, B	025-40666-000	371841	10

NOTE: Items with an * are NOT represented.

TABLE 8 - SYSTEM PIPING EEV (PIN 32 = E) (YLAA0070, YLAA0080, YLAA0089)

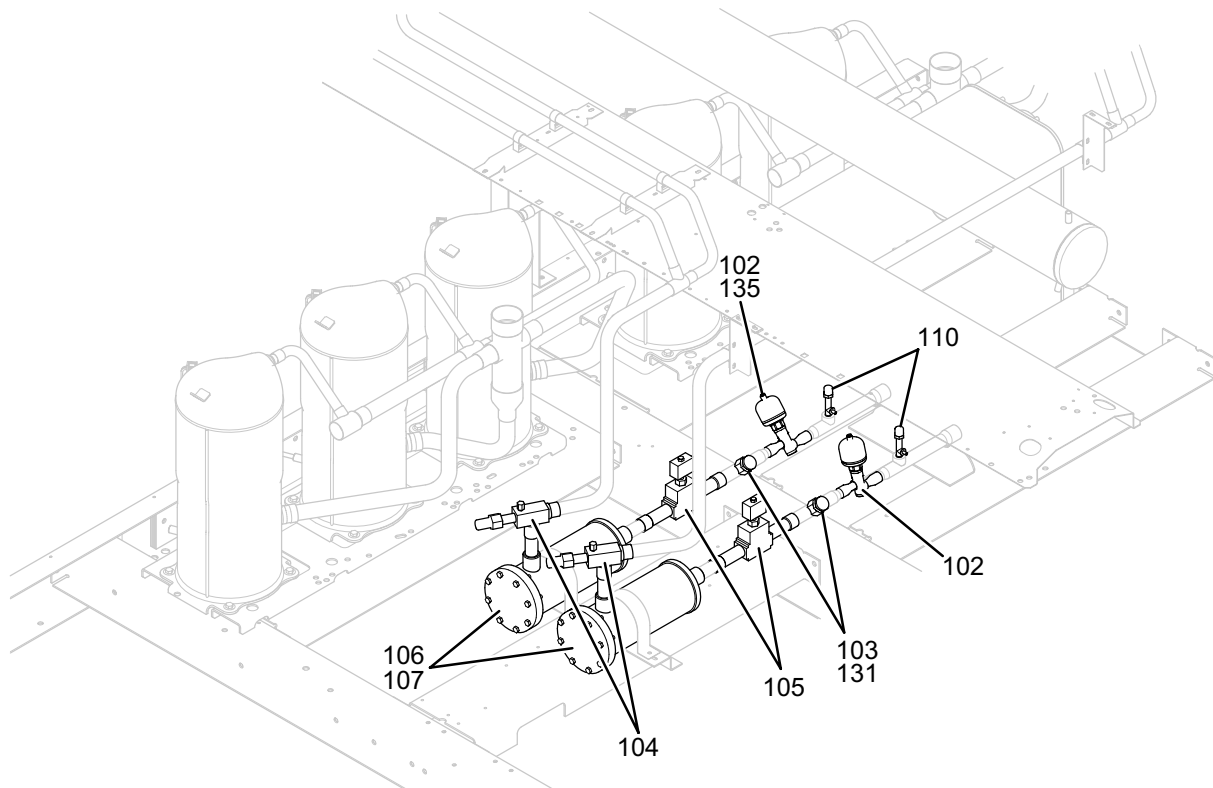
ITEM	DESCRIPTION	MODEL	PIN 31 OPTION	PART NUMBER	SAP NUMBER	FIGURE
100	Valve, Ball 1-5/8 Ods Conn's	YLAA0070, YLAA0080, YLAA0089	X, C, S, B	022-08883-000	731236	9
102	Valve, Electronic ETS25 Danfoss	YLAA0070	X, C	025-42426-025	520120	10
	Valve, Expan Elect Danfoss	YLAA0080	X, C	025-42426-050	516656	
	Valve, Electronic ETS25 Danfoss	YLAA0070, YLAA0080	S, B	025-42426-025	520120	
	Valve, TEV 1-1/8" X1-3/8" Conns	YLAA0089	X, C, S, B	025-40681-000	739877	
103	Special Adapter / Connector 1.125In M24	YLAA0070, YLAA0080, YLAA0089	X, C, S, B	026-37544-000	740965	10
104	Valve	YLAA0070, YLAA0080, YLAA0089	X, C, S, B	022-10022-000	62512	10
105	Valve, Solenoid 1-1/8 " Odf	YLAA0070, YLAA0080, YLAA0089	X, C, S, B	025-41743-000	740010	10
106	Filter, Drier Core 2 C-969	YLAA0070, YLAA0080, YLAA0089	X, C, S, B	026-43984-002	415229	10
107	CTG Dehy 100 Percent Molecular	YLAA0070, YLAA0080, YLAA0089	X, C, S, B	026-37540-000	740964	10
110	Valve, Stop Ang 1/4 NPTE X	YLAA0070, YLAA0080, YLAA0089	X, C, S, B	022-00009-000	257712	10
111	Valve, Charging Brass	YLAA0070, YLAA0080, YLAA0089	X, C, S, B	022-09754-000	391983	9
129	Valve, Transducer 1/2 Solder X	YLAA0070, YLAA0080, YLAA0089	X, C, S, B	022-11735-000	430728	9
131	Indicator, Moist Liquid Cap M24 X 1	YLAA0070, YLAA0080, YLAA0089	X, C, S, B	026-37548-000	638590	10
134	Valve, Shut Off Ball Valve	YLAA0070, YLAA0080, YLAA0089	S, B	022-09753-000	378432	9
135	Valve, Electronic ETS25 Danfoss	YLAA0080	S, B	025-42426-025	520120	10

NOTE: Items with an * are NOT represented.



LD18048

FIGURE 9 - SYSTEM PIPING (YLAA0070, YLAA0080, YLAA0089)



LD18049

FIGURE 10 - SYSTEM PIPING (YLAA0070, YLAA0080, YLAA0089)

TABLE 9 - SYSTEM PIPING STANDARD VALVES (PIN 32 = X) (YLAA0092, YLAA0100, YLAA0101)

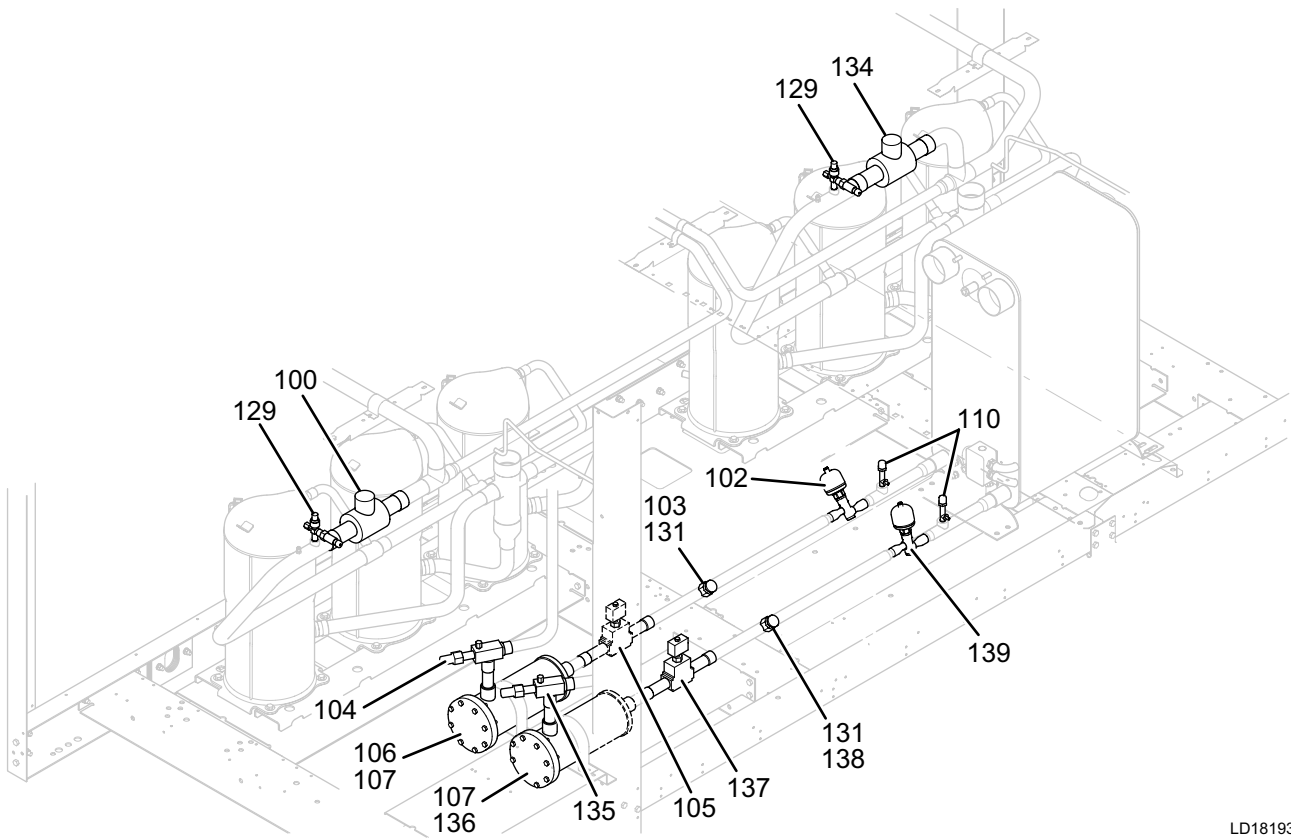
ITEM	DESCRIPTION	MODEL	PIN 31 OPTION	PART NUMBER	SAP NUMBER	FIGURE
100	Valve, Ball 1-5/8 Ods Conn's	YLAA0089 - YLAA0120	X, C, S, B	022-08883-000	731236	12
102	Valve TEV 1-1/8" X1-3/8" Conns	YLAA0089 - YLAA0101	X, C, S, B	025-40681-000	739877	12
103	Special Adapter / Connector 1.125In M24	YLAA0089 - YLAA0120	S or B	026-37544-000	740965	12
104	Valve	YLAA0089 - YLAA0120	X, C, S, B	022-10022-000	62512	12
105	Valve, Solenoid 1-1/8 " Odf	YLAA0089 - YLAA0120	X, C, S, B	025-41743-000	740010	12
106	Filter Drier Core 2 C-969	YLAA0089 - YLAA0155	X, C, S, B	026-43984-002	415229	12
107	CTG Dehy 100 Percent Molecular	YLAA0089 - YLAA0120	X, C, S, B	026-37540-000	740964	12
110	Valve Stop Ang 1/4 NPTE X	YLAA0089 - YLAA0120	X, C, S, B	022-00009-000	257712	12
111	Valve, Charging Brass	YLAA0089 - YLAA0120	X, C, S, B	022-09754-000	391983	13
129	Valve, Transducer 1/2 Solder X	YLAA0089 - YLAA0120	X, C, S, B	022-11735-000	430728	12,13
131	Indicator Moist Liquid Cap M24 x 1	YLAA0089 - YLAA0120	X, C, S, B	026-37548-000	638590	12
134	Valve, Ball 1-5/8 Ods Conn's	YLAA0092 - YLAA0120	S, B	022-08883-000	731236	12
135	Valve	YLAA0092 - YLAA0120	X, C, S, B	022-10022-000	62512	12
136	Filter Drier Core 2 C-969	YLAA0092 - YLAA0120	X, C, S, B	026-43984-002	415229	12
137	Valve, Solenoid 1-1/8 " Odf	YLAA0092 - YLAA0120	S, B	025-41743-000	740010	12
138	Special Adapter / Connector 1.125In M24	YLAA0092 - YLAA0120	X, C, S, B	026-37544-000	740965	12
139	Valve TXV, TRE 80-80 L	YLAA0100 - YLAA0120	X, C, S, B	025-40900-008	739946	12
147	Valve Shut Off Ball Valve	YLAA0101 - YLAA0120	S, B	022-09753-000	378432	13
148	Valve Shut Off Ball Valve	YLAA0101 - YLAA0120	S, B	022-09753-000	378432	13

NOTE: Items with an * are NOT represented.

TABLE 10 - SYSTEM PIPING EEV (PIN 32 = E) (YLAA0092, YLAA0100, YLAA0101)

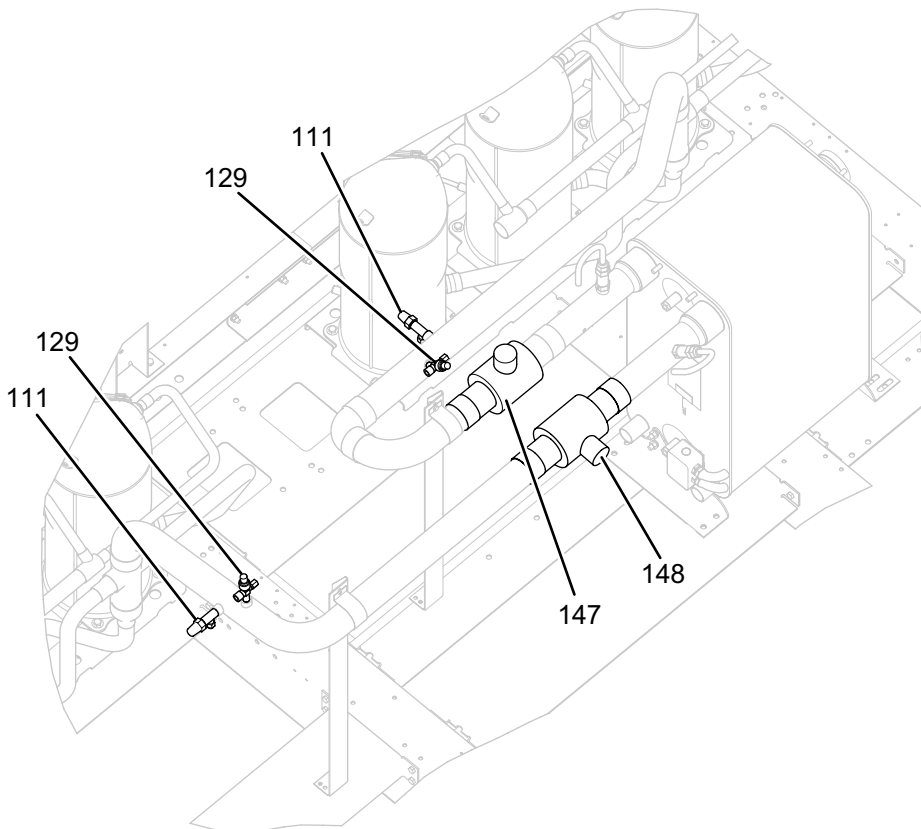
ITEM	DESCRIPTION	MODEL	PIN 31 OPTION	PART NUMBER	SAP NUMBER	FIGURE
100	Valve, Ball 1-5/8 Ods Conn's	YLAA0089 - YLAA0120	X, C, S, B	022-08883-000	731236	12
102	Valve Expan Elect Danfoss	YLAA0089 - YLAA0120	X, C	025-42426-050	516656	12
	Valve Electronic ETS25 Danfoss	YLAA0089 - YLAA0120	S, B	025-42426-025	520120	
103	Special Adapter / Connector 1.125In M24	YLAA0089 - YLAA0120	S or B	026-37544-000	740965	12
104	Valve	YLAA0089 - YLAA0120	X, C, S, B	022-10022-000	62512	12
105	Valve, Solenoid 1-1/8 " Odf	YLAA0089 - YLAA0120	X, C, S, B	025-41743-000	740010	12
106	Filter Drier Core 2 C-969	YLAA0089 - YLAA0120	X, C, S, B	026-43984-002	415229	12
107	CTG Dehy 100 Percent Molecular	YLAA0089 - YLAA0120	X, C, S, B	026-37540-000	740964	12
110	Valve Stop Ang 1/4 NPTE X	YLAA0089 - YLAA0120	X, C, S, B	022-00009-000	257712	12
111	Valve, Charging Brass	YLAA0089 - YLAA0120	X, C, S, B	022-09754-000	391983	13
129	Valve, Transducer 1/2 Solder X	YLAA0089 - YLAA0120	X, C, S, B	022-11735-000	430728	12,13
131	Indicator Moist Liquid Cap M24 x 1	YLAA0089 - YLAA0120	X, C, S, B	026-37548-000	638590	12
134	Valve, Ball 1-5/8 Ods Conn's	YLAA0092 - YLAA0120	X, C, S, B	022-08883-000	731236	12
135	Valve	YLAA0092 - YLAA0120	X, C	022-10022-000	62512	12
136	Filter Drier Core 2 C-969	YLAA0092 - YLAA0120	X, C, S, B	026-43984-002	415229	12
137	Valve, Solenoid 1-1/8 " Odf	YLAA0092 - YLAA0120	X, C, S, B	025-41743-000	740010	12
138	Special Adapter / Connector 1.125In M24	YLAA0092 - YLAA0120	X, C, S, B	026-37544-000	740965	12
139	Valve Expan Elect Danfoss	YLAA0089 - YLAA0120	X, C, S, B	025-42426-050	516656	12
147	Valve Shut Off Ball Valve	YLAA0092 - YLAA0120	S, B	022-09753-000	378432	13
148	Valve Shut Off Ball Valve	YLAA0092 - YLAA0120	S, B	022-09753-000	378432	13

NOTE: Items with an * are NOT represented.



LD18193

FIGURE 12 - SYSTEM PIPING (YLAA0092, YLAA0100, YLAA0101)



LD18194

FIGURE 11 - SYSTEM PIPING (YLAA0092, YLAA0100, YLAA0101)

TABLE 11 - SYSTEM PIPING STANDARD VALVE (Pin 32 = X) (YLAA0115, YLAA0120)

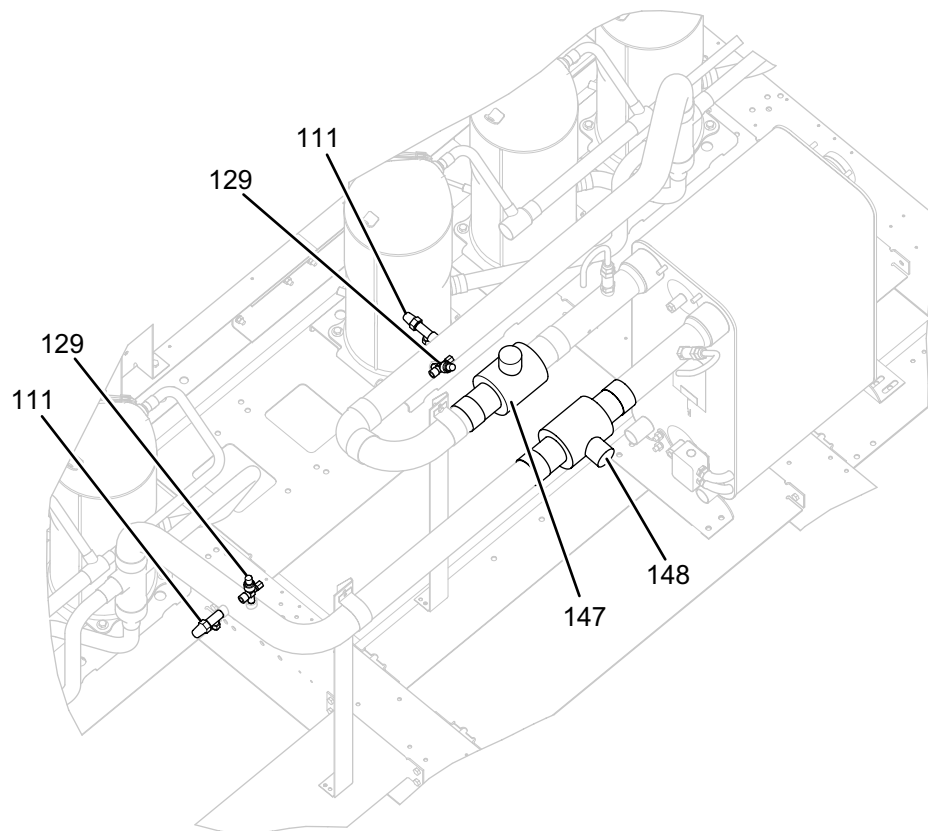
ITEM	DESCRIPTION	MODEL	PIN 31 OPTION	PART NUMBER	SAP NUMBER	FIGURE
100	Valve, Ball 1-5/8 Ods Conn's	YLAA0089 - YLAA0120	X, C, S, B	022-08883-000	731236	14
102	Valve TXV YCAL, TRE 80-80 L	YLAA0115, YLAA0120	X, C, S, B	025-40900-008	739946	14
103	Special Adapter / Connector 1.125In M24	YLAA0089 - YLAA0120	S or B	026-37544-000	740965	14
104	Valve	YLAA0089 - YLAA0120	X, C, S, B	022-10022-000	62512	14
105	Valve, Solenoid 1-1/8 " Odf	YLAA0089 - YLAA0120	X, C, S, B	025-41743-000	740010	14
106	Filter Drier Core 2 C-969	YLAA0089 - YLAA0155	X, C, S, B	026-43984-002	415229	14
107	CTG Dehy 100 Percent Molecular	YLAA0089 - YLAA0120	X, C, S, B	026-37540-000	740964	14
110	Valve Stop Ang 1/4 NPTE X	YLAA0089 - YLAA0120	X, C, S, B	022-00009-000	257712	14
111	Valve, Charging Brass	YLAA0089 - YLAA0120	X, C, S, B	022-09754-000	391983	13
129	Valve, Transducer 1/2 Solder X	YLAA0089 - YLAA0120	X, C, S, B	022-11735-000	430728	13,14
131	Indicator Moist Liquid Cap M24 x 1	YLAA0089 - YLAA0120	X, C, S, B	026-37548-000	638590	14
134	Valve, Ball 1-5/8 Ods Conn's	YLAA0092 - YLAA0120	S, B	022-08883-000	731236	14
135	Valve	YLAA0092 - YLAA0120	X, C	022-10022-000	62512	14
137	Valve, Solenoid 1-1/8 " Odf	YLAA0092 - YLAA0120	S, B	025-41743-000	740010	14
138	Special Adapter / Connector 1.125In M24	YLAA0092 - YLAA0120	X, C, S, B	026-37544-000	740965	14
139	Valve, TXV, TRE 80-80 L	YLAA0100 - YLAA0120	X, C, S, B	025-40900-008	739946	14
147	Valve, Shut Off Ball Valve	YLAA0101 - YLAA0120	S, B	022-09753-000	378432	13
148	Valve, Shut Off Ball Valve	YLAA0101 - YLAA0120	S, B	022-09753-000	378432	13

NOTE: Items with an * are NOT represented.

TABLE 12 - SYSTEM PIPING EEV (PIN 32 = E) (YLAA0115, YLAA0120)

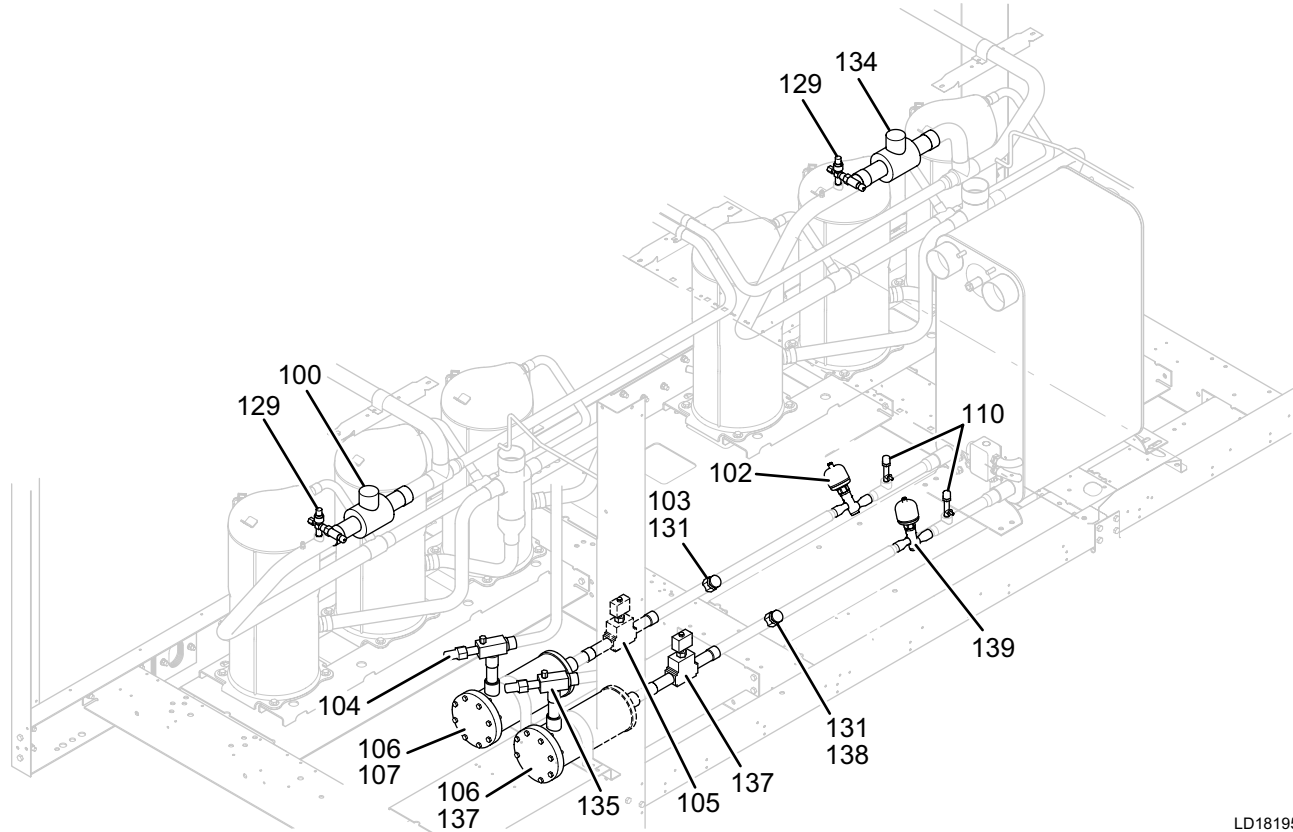
ITEM	DESCRIPTION	MODEL	PIN 31 OPTION	PART NUMBER	SAP NUMBER	FIGURE
100	Valve, Ball 1-5/8 Ods Conn's	YLAA0089 - YLAA0120	X, C, S, B	022-08883-000	731236	14
102	Valve Expan Elect Danfoss	YLAA0089 - YLAA0120	X, C	025-42426-050	516656	14
	Valve Electronic ETS25 Danfoss	YLAA0089 - YLAA0120	S, B	025-42426-025	520120	
103	Special Adapter / Connector 1.125In M24	YLAA0115, YLAA0120	X, C, S, B	026-37544-000	740965	14
104	Valve	YLAA0089 - YLAA0120	X, C, S, B	022-10022-000	62512	14
105	Valve, Solenoid 1-1/8 " Odf	YLAA0089 - YLAA0120	X, C, S, B	025-41743-000	740010	14
106	Filter Drier Core 2 C-969	YLAA0089 - YLAA0120	X, C, S, B	026-43984-002	415229	14
107	CTG Dehy 100 Percent Molecular	YLAA0089 - YLAA0120	X, C, S, B	026-37540-000	740964	14
110	Valve Stop Ang 1/4 NPTE X	YLAA0089 - YLAA0120	X, C, S, B	022-00009-000	257712	14
111	Valve, Charging Brass	YLAA0089 - YLAA0120	X, C, S, B	022-09754-000	391983	13
129	Valve, Transducer 1/2 Solder X	YLAA0089 - YLAA0120	X, C, S, B	022-11735-000	430728	13,14
131	Indicator Moist Liquid Cap M24 x 1	YLAA0089 - YLAA0120	X, C, S, B	026-37548-000	638590	14
134	Valve, Ball 1-5/8 Ods Conn's	YLAA0092 - YLAA0120	X, C, S, B	022-08883-000	731236	14
135	Valve	YLAA0092 - YLAA0120	X, C	022-10022-000	62512	14
137	Valve, Solenoid 1-1/8 " Odf	YLAA0092 - YLAA0120	X, C, S, B	025-41743-000	740010	14
138	Special Adapter / Connector 1.125In M24	YLAA0115, YLAA0120	X, C, S, B	026-37544-000	740965	14
139	Valve, Expan Elect Danfoss	YLAA0089 - YLAA0120	X, C	025-42426-050	516656	14
	Valve Expan Elect Danfoss	YLAA0092 - YLAA0120	S, B	025-42426-050	516656	
147	Valve, Shut Off Ball Valve	YLAA0092 - YLAA0120	S, B	022-09753-000	378432	13
148	Valve, Shut Off Ball Valve	YLAA0092 - YLAA0120	S, B	022-09753-000	378432	13

NOTE: Items with an * are NOT represented.



LD18194

FIGURE 13 - SYSTEM PIPING (YLA0115, YLA0120)



LD18195

FIGURE 14 - SYSTEM PIPING (YLA0115, YLA0120)

TABLE 13 - SYSTEM PIPING STANDARD VALVES (PIN 32 = X) (YLAA0125, YLAA0136, YLAA0142, YLAA0150, YLAA0155)

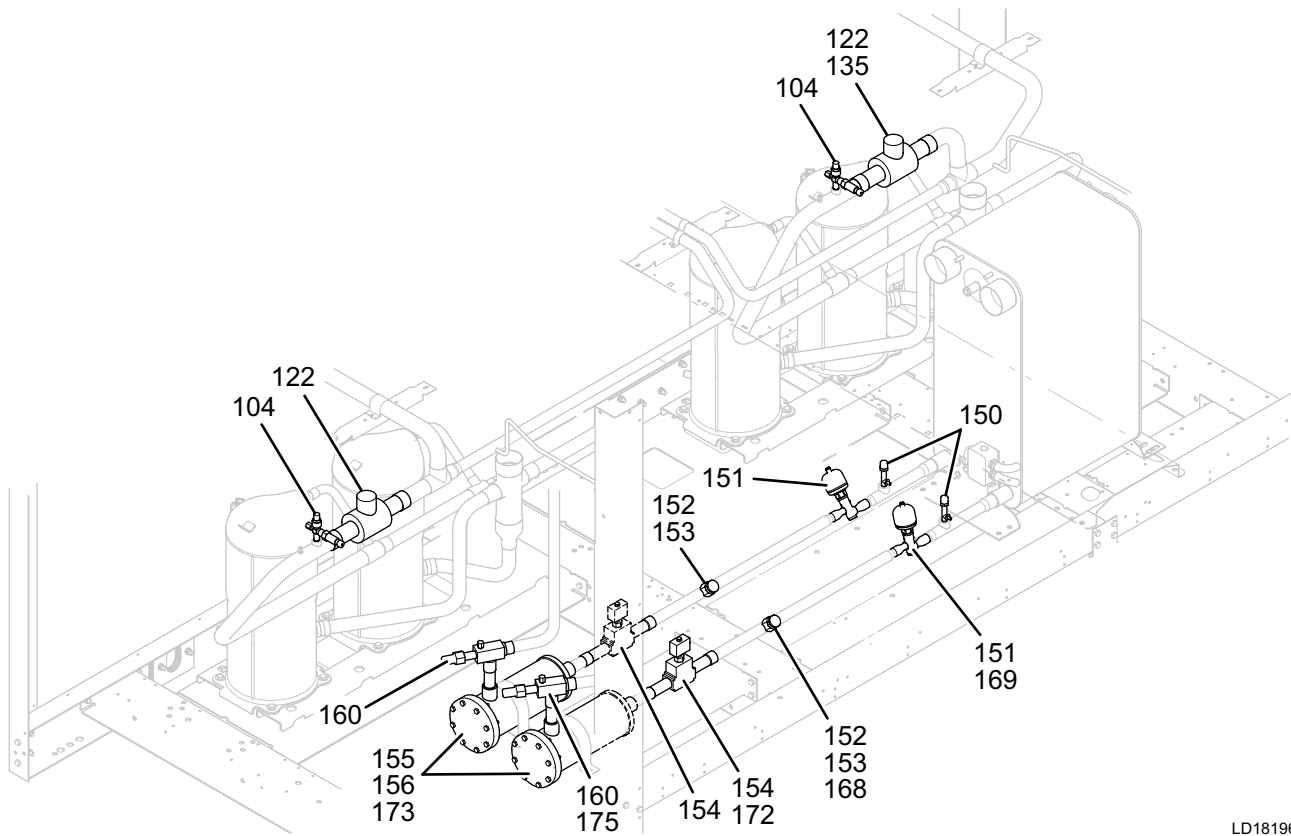
ITEM	DESCRIPTION	MODEL	PIN 31 OPTION	PART NUMBER	SAP NUMBER	FIGURE
103	Valve, Charging Brass	YLAA0125 - YLAA0155	S or B	022-09754-000	391983	16
104	Valve, Transducer 1/2 Solder X	YLAA0125 - YLAA0155	X, C, S, B	022-11735-000	430728	15,16
111	Valve Shut Off Ball Valve	YLAA0125	S, B	022-09753-000	378432	16
		YLAA0136 - YLAA0155	S, B	022-11325-000	444576	
120	Valve Shut Off Ball Valve	YLAA0136 - YLAA0155	S, B	022-09753-000	378432	16
122	Valve, Ball	YLAA0125	X, C, S, B	022-08883-000	731236	15
		YLAA0136 - YLAA0155	X, C, S, B	022-09752-000	731278	
135	Valve, Ball 1-3/8 Ods Conn	YLAA0136 - YLAA0155	X, C	022-09750-000	731277	15
	Valve, Ball 1-5/8 Ods Conn's	YLAA0136 - YLAA0155	S, B	022-08883-000	731236	
150	Valve Stop Ang 1/4 NPTE X	YLAA0125 - YLAA0155	X, C, S, B	022-00009-000	257712	15
151	Valve TXV, TRE 80-80 L	YLAA0125	X, C, S, B	025-40900-008	739946	15
	Valve TXV, TRE 80-100 L	YLAA0136 - YLAA0155	X, C, S, B	025-40900-004	739942	
152	Special Adapter / Connector 1.125In M24	YLAA0125 - YLAA0155	X, C, S, B	026-37544-000	740965	15
153	Indicator Moist Liquid Cap M24 x 1	YLAA0125 - YLAA0155	X, C, S, B	026-37548-000	638590	15
154	Valve, Solenoid 1-1/8 " Odf	YLAA0125	X, C, S, B	025-41743-000	740010	15
	Valve Solenoid 1-3/8" Odf	YLAA0136 - YLAA0155	X, C, S, B	025-42090-000	394340	
155	Filter Drier Core 2 C-969	YLAA0125	X, C, S, B	026-43984-002	415229	15
	Filter Drier Core 3 C-14411	YLAA0136 - YLAA0155	X, C, S, B	026-43984-003	741132	
156	CTG Dehy 100 Percent Molecular	YLAA0125 - YLAA0155	X, C, S, B	026-37540-000	740964	15
160	Valve	YLAA0125	X, C, S, B	022-10022-000	62512	15
	Valve, Liq Line Svc 1-3/8 Ods	YLAA0136 - YLAA0155	X, C, S, B	022-09778-000	731282	
168	Special Adapter / Connector 1.375In	YLAA0136 - YLAA0155	X or C	026-37545-000	740966	15
169	Valve TEV 1-1/8" X1-3/8" Conns	YLAA0136	X, C, S, B	025-40681-000	739877	15
	Valve TXV, TRE 80-80 L	YLAA0142 - YLAA0155	X, C, S, B	025-40900-008	739946	
172	Valve, Solenoid 1-1/8 " Odf	YLAA0136 - YLAA0155	X, C, S, B	025-41743-000	740010	15
173	Filter Drier Core 2 C-969	YLAA0136 - YLAA0155	X, C, S, B	026-43984-002	415229	15
175	Valve	YLAA0136 - YLAA0155	X, C, S, B	022-10022-000	62512	15

NOTE: Items with an * are NOT represented.

TABLE 14 - SYSTEM PIPING EEV (PIN 32 = E) (YLAA0125, YLAA0136, YLAA0142, YLAA0150, YLAA0155)

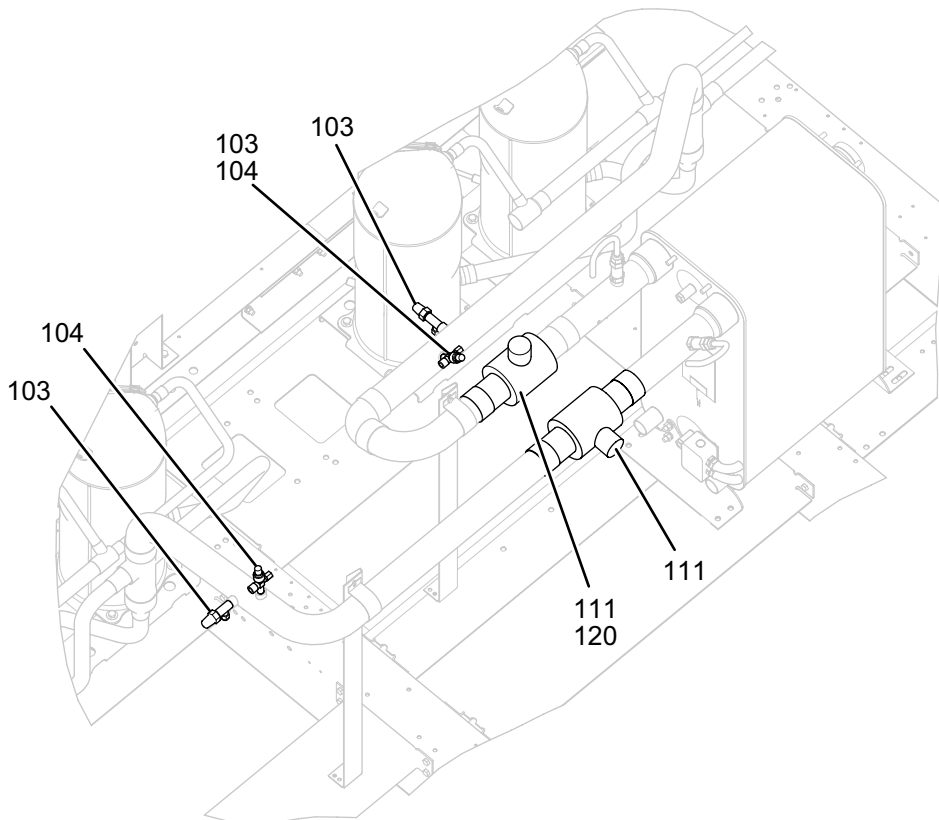
ITEM	DESCRIPTION	MODEL	PIN 31 OPTION	PART NUMBER	SAP NUMBER	FIGURE
103	Valve, Charging Brass	YLAA0125 - YLAA0155	X, C, S, B	022-09754-000	391983	16
104	Valve, Transducer 1/2 Solder X	YLAA0125 - YLAA0155	X, C, S, B	022-11735-000	430728	15,16
111	Valve Shut Off Ball Valve	YLAA0125	S, B	022-09753-000	378432	16
		YLAA0136 - YLAA0155	S, B	022-11325-000	444576	
120	Valve Shut Off Ball Valve	YLAA0142 - YLAA0155	X, C, S, B	022-09753-000	378432	16
122	Valve, Ball 1-5/8 Ods Conn's	YLAA0125	X, C, S, B	022-08883-000	731236	15
	Valve, Ball 2-1/8 Ods Conn	YLAA0136 - YLAA0155	X, C, S, B	022-09752-000	731278	
135	Valve, Ball 1-5/8 Ods Conn's	YLAA0136 - YLAA0155	X, C, S, B	022-08883-000	731236	15
150	Valve Stop Ang 1/4 NPTE X	YLAA0125 - YLAA0155	X, C, S, B	022-00009-000	257712	15
151	Valve Expan. Elect Danfos	YLAA0125	X, C, S, B	025-44670-050	740579	15
		YLAA0136 - YLAA0155	X, C, S, B	025-44670-100	740580	
152	Special Adapter / Connector 1.125In M24	YLAA0142	X, C	026-37544-000	740965	15
153	Indicator Moist Liquid Cap M24 x 1	YLAA0125 - YLAA0155	X, C, S, B	026-37548-000	638590	15
154	Valve, Solenoid 1-1/8 " Odf	YLAA0125	X, C, S, B	025-41743-000	740010	15
	Valve Solenoid 1-3/8" Odf	YLAA0136 - YLAA0155	X, C, S, B	025-42090-000	394340	
155	Filter Drier Core 2 C-969	YLAA0125	X, C, S, B	026-43984-002	415229	15
	Filter Drier Core 3 C-14411	YLAA0136 - YLAA0155	X, C, S, B	026-43984-003	741132	
156	CTG Dehy 100 Percent Molecular	YLAA0125 - YLAA0155	X, C, S, B	026-37540-000	740964	15
160	Valve	YLAA0125	X, C, S, B	022-10022-000	62512	15
	Valve, Liq Line Svc 1-3/8 Ods	YLAA0136 - YLAA0155	X, C, S, B	022-09778-000	731282	
169	Valve Electronic ETS25 Danfoss	YLAA0136 - YLAA0155	X, C	025-42426-025	520120	15
	Valve Electronic ETS25 Danfoss	YLAA0136	S, B	025-42426-025	520120	
	Valve Expan. Elect Danfos	YLAA0142 - YLAA0155	S, B	025-44670-050	740579	
172	Valve, Solenoid 1-1/8 " Odf	YLAA0136 - YLAA0155	X, C, S, B	025-41743-000	740010	15
173	Filter Drier Core 2 C-969	YLAA0136 - YLAA0155	S, B	026-43984-002	415229	15
175	Valve	YLAA0136 - YLAA0155	S, B	022-10022-000	62512	15

NOTE: Items with an * are NOT represented.



LD18196

FIGURE 15 - SYSTEM PIPING (YLAA0125, YLAA0136, YLAA0142, YLAA0150, YLAA0155)



LD18197

FIGURE 16 - SYSTEM PIPING (YLAA0125, YLAA0136, YLAA0142, YLAA0150, YLAA0155)

TABLE 15 - SYSTEM PIPING STANDARD VALVES (PIN 32 = X) (YLAA0156, YLAA0170, YLAA0175)

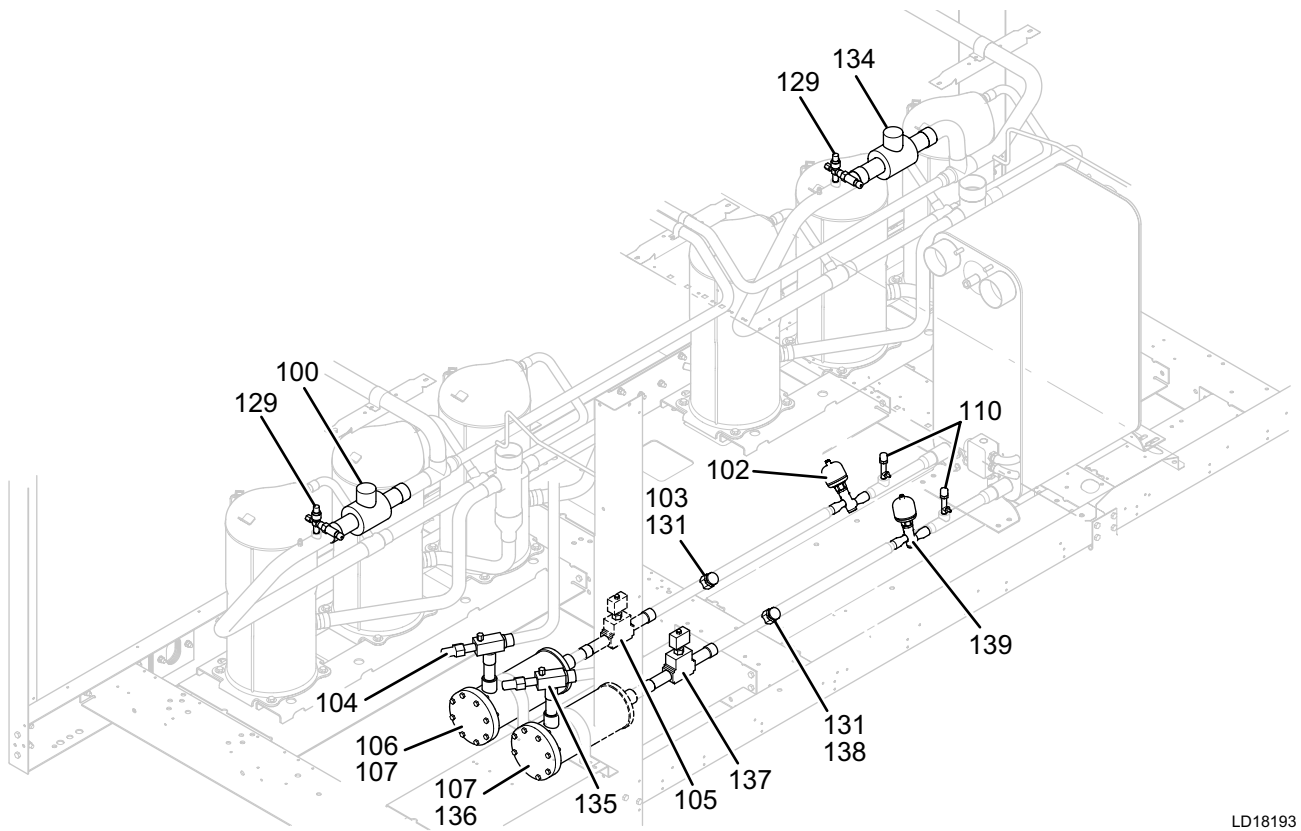
ITEM	DESCRIPTION	MODEL	PIN 31 OPTION	PART NUMBER	SAP NUMBER	FIGURE
100	Valve, Ball 2-1/8 Ods Conn	YLAA0156 - YLAA0175	X, C, S, B	022-09752-000	731278	17
102	Valve TXV, TRE 80-100 L	YLAA0156 - YLAA0175	X, C, S, B	025-40900-004	739942	17
103	Special Adapter / Connector 1.375in	YLAA0156 - YLAA0175	S or B	026-37545-000	740966	17
104	Valve, Liq Line Svc 1-3/8 Ods	YLAA0156 - YLAA0175	X, C, S, B	022-09778-000	731282	17
105	Valve, Solenoid 1-3/8" Odf	YLAA0156 - YLAA0175	X, C, S, B	025-42090-000	394340	17
106	Filter Drier Core 3 C-14411	YLAA0156 - YLAA0175	X, C	026-43984-003	741132	17
107	CTG Dehy 100 Percent Molecular	YLAA0156 - YLAA0175	X, C, S, B	026-37540-000	740964	17
110	Valve, Stop Ang 1/4 NPTE X	YLAA0156 - YLAA0175	X, C, S, B	022-00009-000	257712	17
111	Valve, Charging Brass	YLAA0156 - YLAA0175	S, B	022-09754-000	391983	18
129	Valve, Transducer 1/2 Solder X	YLAA0156 - YLAA0175	X, C, S, B	022-11735-000	430728	17,18
131	Indicator Moist Liquid Cap M24 x 1	YLAA0156 - YLAA0175	X, C, S, B	026-37548-000	638590	17
134	Valve, Ball 1-5/8 Ods Conn's	YLAA0156 - YLAA0175	S, B	022-08883-000	731236	17
135	Valve	YLAA0156 - YLAA0175	X, C	022-10022-000	62512	17
	Valve	YLAA0156	S, B	022-10022-000	62512	
	Valve, Liq Line Svc 1-3/8 Ods	YLAA0170, YLAA0175	S, B	022-09778-000	731282	
136	Filter Drier Core 2 C-969	YLAA0156 - YLAA0175	X, C, S, B	026-43984-002	415229	17
137	Valve, Solenoid 1-1/8 " Odf	YLAA0156	S, B	025-41743-000	740010	17
		YLAA0170, YLAA0175	S, B	025-42090-000	394340	
138	Special adapter / Connector 1.125in	YLAA0156 - YLAA0175	X, C	026-37544-000	740965	17
		YLAA0156	S, B	026-37544-000	740965	
	Special adapter / Connector 1.375in	YLAA0170, YLAA0175	S, B	026-37545-000	740966	
139	Valve, TXV, TRE 80-80 L	YLAA00156	X, C, S, B	025-40900-008	739946	17
	Valve, TXV, TRE 80-100 L	YLAA0170, YLAA0175	X, C, S, B	025-40900-004	739942	
147	Valve, Shut Off Ball Valve	YLAA0156	S, B	022-09753-000	378432	18
		YLAA0170, YLAA0175	S, B	022-11325-000	444576	
148	Valve, Shut Off Ball Valve	YLAA0156 - YLAA0175	S, B	022-11325-000	444576	18

NOTE: Items with an * are NOT represented.

TABLE 16 - SYSTEM PIPING EEV (PIN 32 = E) (YLAA0156, YLAA0170, YLAA0175)

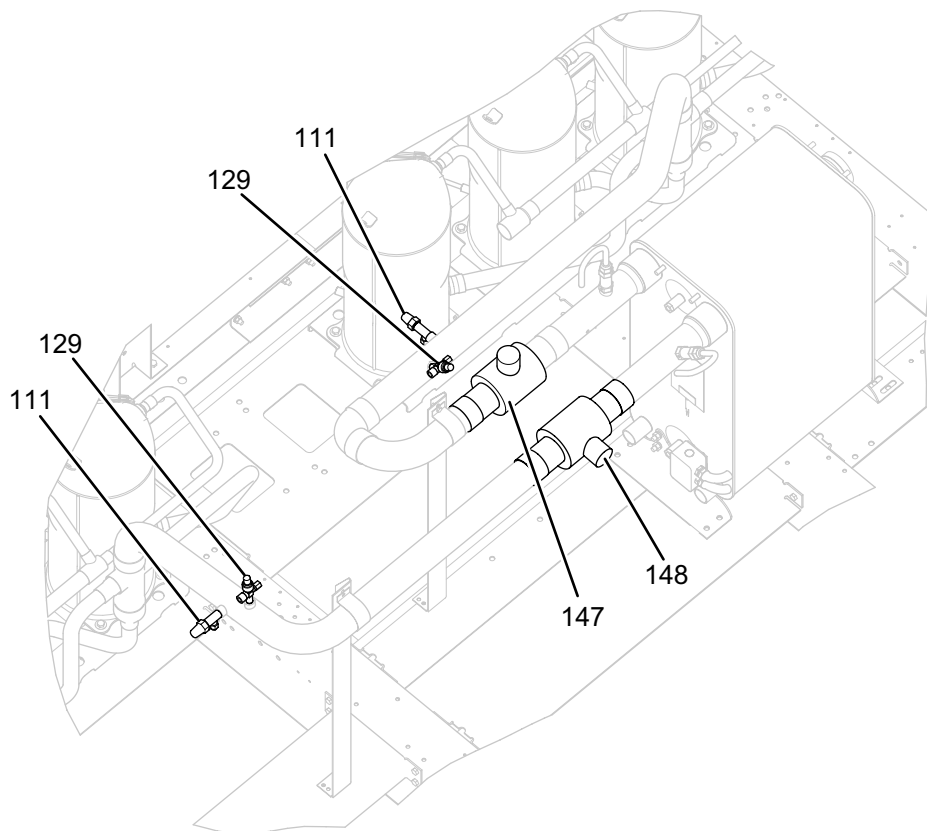
ITEM	DESCRIPTION	MODEL	PIN 31 OPTION	PART NUMBER	SAP NUMBER	FIGURE
102	Valve Expan. Elect Danfos	YLAA0156 - YLAA0175	X, C, S, B	025-44670-100	740580	17
104	Valve, Liq Line Svc 1-3/8 Ods	YLAA0156 - YLAA0175	X, C, S, B	022-09778-000	731282	17
103	Special Adapter / Connector 1.375in	YLAA0156 - YLAA0175	S or B	026-37545-000	740966	17
105	Valve Solenoid 1-3/8" Odf	YLAA0156 - YLAA0175	X, C, S, B	025-42090-000	394340	17
106	Filter Drier Core 3 C-14411	YLAA0156 - YLAA0175	X, C, S, B	026-43984-003	741132	17
107	CTG Dehy 100 Percent Molecular	YLAA0156 - YLAA0175	X, C, S, B	026-37540-000	740964	17
110	Valve Stop Ang 1/4 NPTE X	YLAA0156 - YLAA0175	X, C, S, B	022-00009-000	257712	17
111	Valve, Charging Brass	YLAA0156 - YLAA0175	X, C, S, B	022-09754-000	391983	18
129	Valve, Transducer 1/2 Solder X	YLAA0156 - YLAA0175	X, C, S, B	022-11735-000	430728	17,18
131	Indicator Moist Liquid Cap M24 x 1	YLAA0156 - YLAA0175	X, C, S, B	026-37548-000	638590	17
134	Valve, Ball 1-5/8 Ods Conn's	YLAA0156 - YLAA0175	X, C, S, B	022-08883-000	731236	17
	Valve, Ball 2-1/8 Ods Conn	YLAA0170, YLAA0175	S, B	022-09752-000	731278	
135	Valve	YLAA0156	X, C	022-10022-000	62512	17
	Valve, Liq Line Svc 1-3/8 Ods	YLAA0170, YLAA0175	X, C, S, B	022-09778-000	731282	
136	Filter Drier Core 2 C-969	YLAA0156 - YLAA0175	X, C	026-43984-002	415229	17
	Filter Drier Core 2 C-969	YLAA0156	S, B	026-43984-002	415229	
	Filter Drier Core 3 C-14411	YLAA0170, YLAA0175	S, B	026-43984-003	741132	
137	Valve, Solenoid 1-1/8 " Odf	YLAA0156	X, C, S, B	025-41743-000	740010	17
	Valve, Solenoid 1-3/8" Odf	YLAA0170, YLAA0175	X, C, S, B	025-42090-000	394340	
138	Special adapter / Connector 1.125in	YLAA0156 - YLAA0175	X, C	026-37544-000	740965	17
		YLAA0156	S, B	026-37544-000	740965	
		YLAA0170, YLAA0175	S, B	026-37545-000	740966	
139	Valve, Expan. Elect Danfos	YLAA0156	X, C	025-44670-050	740579	17
		YLAA0170, YLAA0175	X, C	025-44670-100	740580	
		YLAA0156 - YLAA0175	S, B	025-44670-050	740579	
147	Valve, Shut Off Ball Valve	YLAA0156	S, B	022-09753-000	378432	18
		YLAA0170, YLAA0175	S, B	022-11325-000	444576	
148	Valve, Shut Off Ball Valve	YLAA0156 - YLAA0175	S, B	022-11325-000	444576	18

NOTE: Items with an * are NOT represented.



LD18193

FIGURE 17 - SYSTEM PIPING (YLA0156, YLA0170, YLA0175)



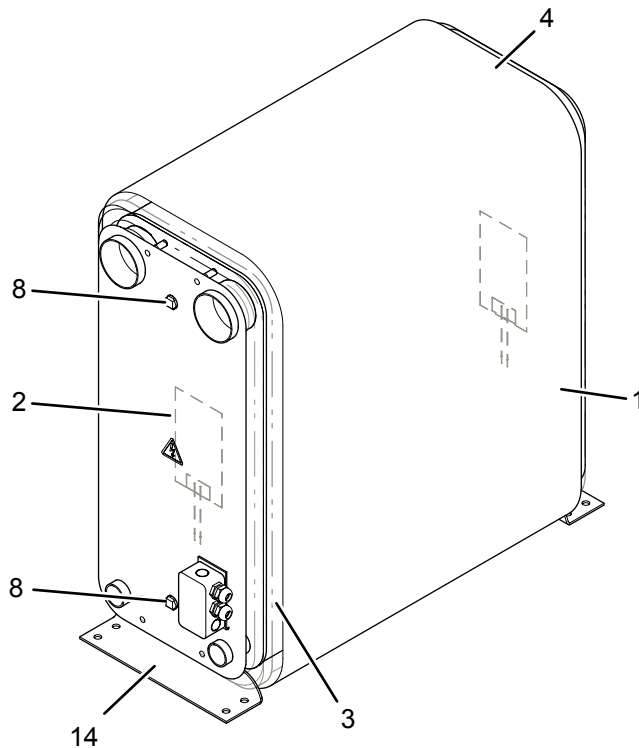
LD18194

FIGURE 18 - SYSTEM PIPING (YLA0156, YLA0170, YLA0175)

COOLER

TABLE 17 - COOLER, INSULATED

ITEM	DESCRIPTION	MODEL	PART NUMBER	SAP NUMBER	QUANTITY
1	Heat Exchanger 102 Plates	YLAA0058, YLAA0065 & YLAA070	026-46883-102	817281	1
	Heat Exchanger 126 Plates	YLAA0080	026-46883-126	817282	
	Heat Exchanger 190 Plates	YLAA0081, YLAA0136, YLAA0150, YLAA0156, YLAA0170	026-46883-190	817284	
	Heat Exchanger 166 Plates	YLAA0089, YLAA0092, YLAA0100, YLAA0101 & YLAA0115, YLAA0125	026-46883-166	817283	
	Heat Exchanger 250 Plates	YLAA0120, YLAA0155	026-46883-250	817285	
	Heat Exchanger Alfa Laval Ach500dq	YLAA0142	026-46883-251	1094923	
	Heat Exchanger 270 Plates	YLAA0175	026-46883-270	817286	
2	Strip Heater 70W 120V	YLAA0058 - YLAA0175	025-45788-000	926437	2
3	Ins Evapr Front 1st Layer Y	YLAA0058 - YLAA0175	092-07709-001	817342	1
4	Ins Evapr Back 1st Layer Y	YLAA0058 - YLAA0175	092-07709-002	817343	1
8	Well Thermo	YLAA0058 - YLAA0175	026-32328-001	740780	2
14	Bracket	YLAA0058 - YLAA0175	092-07700-000	817336	1



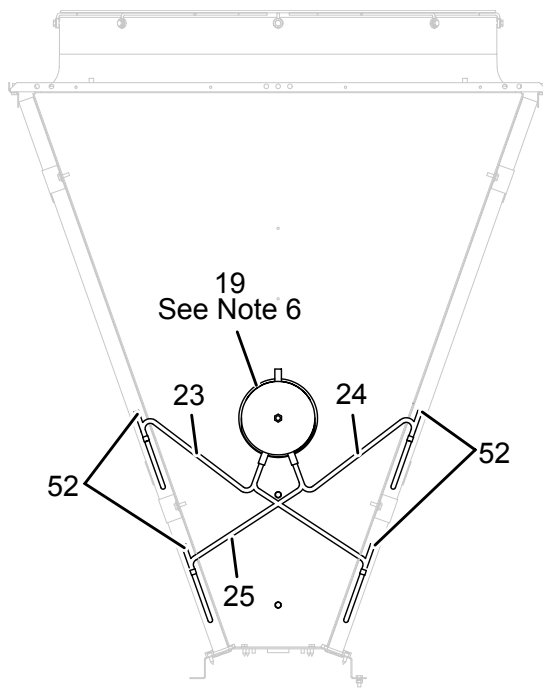
LD16778

FIGURE 19 - COOLER, INSULATED

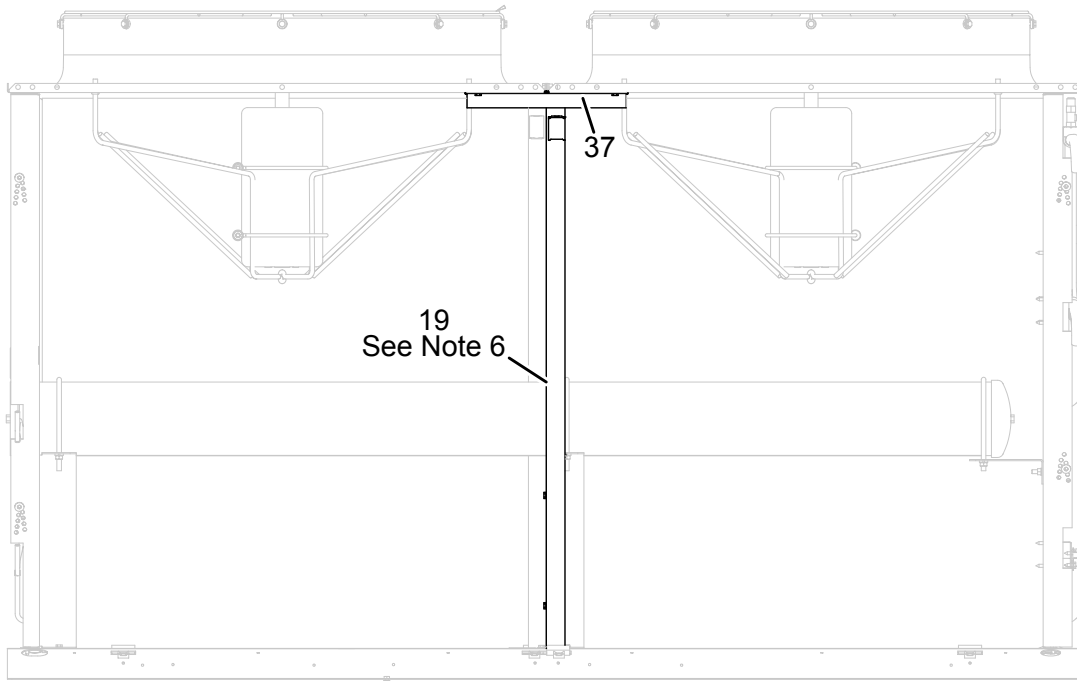
CONDENSER COILS WITH MODULE ASSEMBLY

TABLE 18 - CONDENSER COILS

ITEM	DESCRIPTION	MODEL	PART NUMBER	SAP	FIGURE
1	Support Lower Coil	YLAA0058 - YLAA0175	075-77929-001	394624	22
2	Coil Microchannel 81.69X47.68	YLAA0058 - YLAA0175	026-45535-000	741223	21
3	VEE Panel Header End	YLAA0058 - YLAA0175	075-77929-002	394625	22
4	VEE Panel Receiver End	YLAA0058 - YLAA0175	075-77929-003	394626	22
4a	VEE Panel Receiver End	YLAA0092 - YLAA0175	075-77929-008	440150	22
5	VEE Panel Micro Channel	YLAA0058 - YLAA0175	075-77929-004	394627	22
5a	VEE Panel Micro Channel	YLAA0092, YLAA0101, YLAA0115 - YLAA0175	075-74862-005	404174	22
5b	Panel 'A' Micro Channel	YLAA0100	075-76114-000	446951	22
6	Clamp Header	YLAA0058 - YLAA0175	075-74862-007	407226	22
7	Cable Tie Holder	YLAA0058 - YLAA0175	028-15993-000	742178	22
8	Mount Coil Y-Chassis	YLAA0058 - YLAA0175	028-15820-000	394353	22
9	Header Bushing Microchannel	YLAA0058 - YLAA0175	028-15821-000	742157	22
11	Bracket Receiver Support	YLAA0058 - YLAA0175	075-74862-008	394511	22
12	Bracket Receiver Support	YLAA0058 - YLAA0175	075-77929-005	440145	22
13	Tee Sld C X C X C 1-1/8 X	YLAA0058 - YLAA0175	023-04269-000	392000	21
14	Pipe Disch Microchannel Coil	YLAA0058 - YLAA0175	075-74849-004	394507	21
15	Tee Sld C X C X C 1-1/8 X	YLAA0058 - YLAA0175	023-02717-000	414153	21
16	Pipe Disch Micro Channel Coil	YLAA0058 - YLAA0175	075-77930-009	758163	21
17	Pipe Disch Micro Channel Coil	YLAA0058 - YLAA0175	075-77930-008	394634	21
19	Gasket Neoprene 1/2 X 1 X Roll	YLAA0058 - YLAA0175	028-11838-000	741665	20, 22
20	Pipe Disch Micro Channel Coil	YLAA0058 - YLAA0175	075-77930-010	758164	21
21	Pipe Disch Micro Channel Coil	YLAA0058 - YLAA0175	075-77930-011	758165	21
23	Pipe Coil To Receiver	YLAA0058 - YLAA0175	075-77930-001	394632	20
24	Pipe Coil To Receiver	YLAA0092 - YLAA0175	075-77930-002	404177	20
25	Pipe Coil To Receiver	YLAA0058 - YLAA0175	075-77930-003	394633	20
37	Bracket Coil	YLAA0058 - YLAA0175	075-74840-021	394506	20
41	Panel Top Cover	YLAA0100	075-76115-000	446952	21
42	Panel Btm 1 Fan	YLAA0100	075-75915-000	394560	22
43	Support Pipe	YLAA0058 - YLAA0175	075-77929-006	394629	21
44	Support Pipe	YLAA0058 - YLAA0175	075-77929-007	394630	21
45	Clamp Tube 1-5/8	YLAA0058 - YLAA0175	066-88928-000	372793	21
46	Clamp Tube 7/8 Id	YLAA0058 - YLAA0175	075-50979-078	518760	21
50	Bush Snap 1-5/8 IS Hole	YLAA0058 - YLAA0175	025-13418-000	737359	22
51	Support Pipe	YLAA0058 - YLAA0175	075-77929-010	430478	21
52	Tube Cu La 2.50 Lg X 3/8 Od	YLAA0058 - YLAA0175	075-07046-001	749765	20



BACK



NOTES:

1. Process per m-166.
2. A. Braze all copper to copper joints per mos 15-2-16 (Item 39)
 B. Braze all copper to steel joints per mos 15-2-12 (Item 40)
3. Use dry nitrogen inside tubing and joins for all brazing. Never immerse joint in water for cooling,
4. Add strip gasket along side flanges of front and back V-Panels directly in line with the center of the coil tube before putting coil assemblies in place.
5. Add a double thickness of gasket (Item 19) along entire top edge of top coil face on both coils to prevent air flow.
6. Wrap item 19 all the way around the receiver, up against the V-Panel, to block air flow.
7. Add a double thickness of gasket (Item 19) along entire top edge of top coil face on one coil to prevent air flow.
8. Do not align the pipes with the clamps or bracket. This is to offset the shop tolerance buildup.

LD16779

FIGURE 20 - CONDENSER COILS

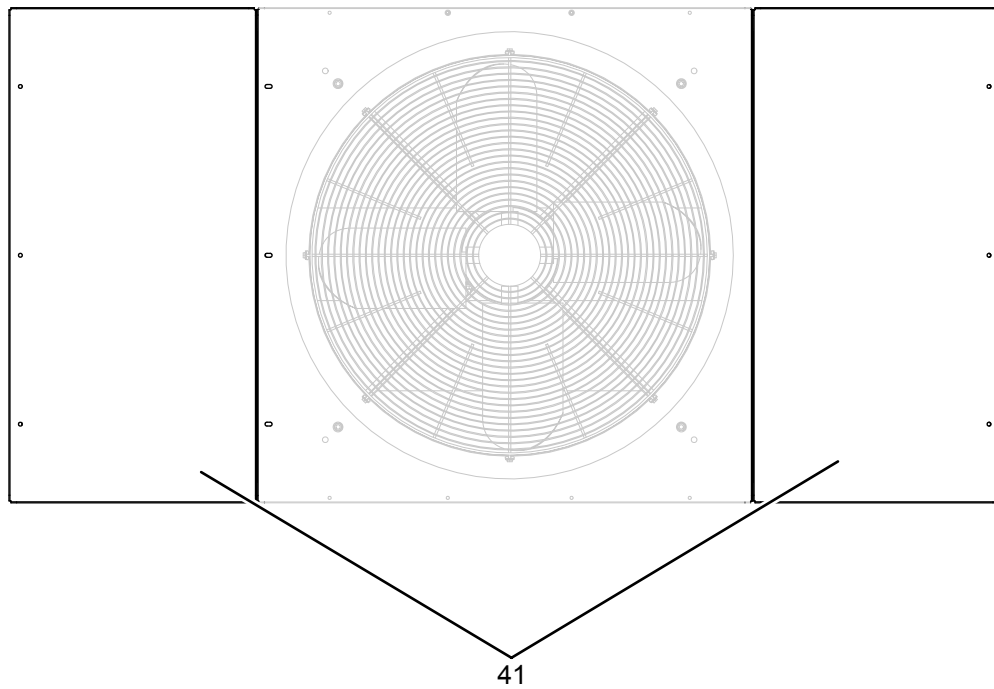
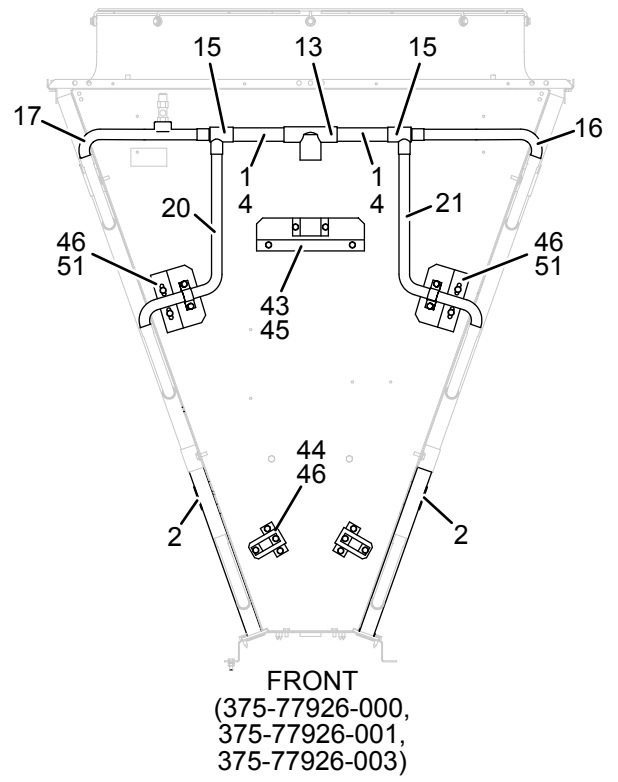
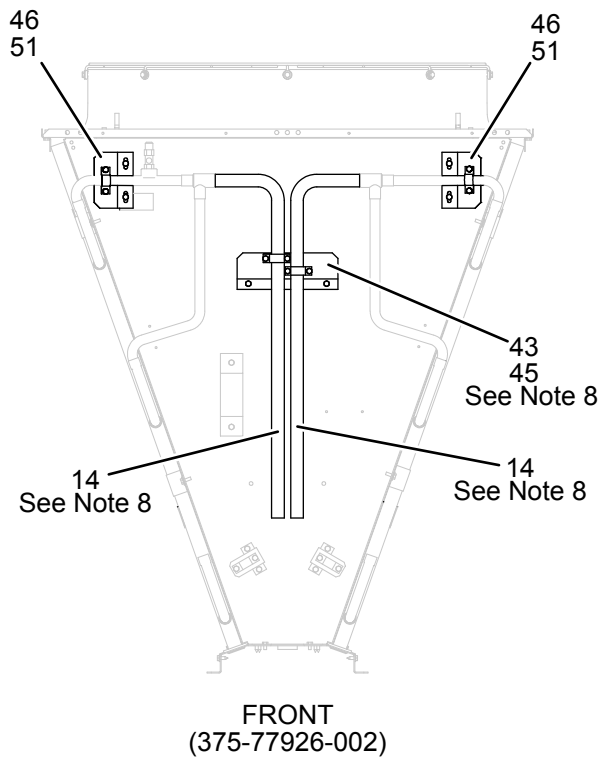
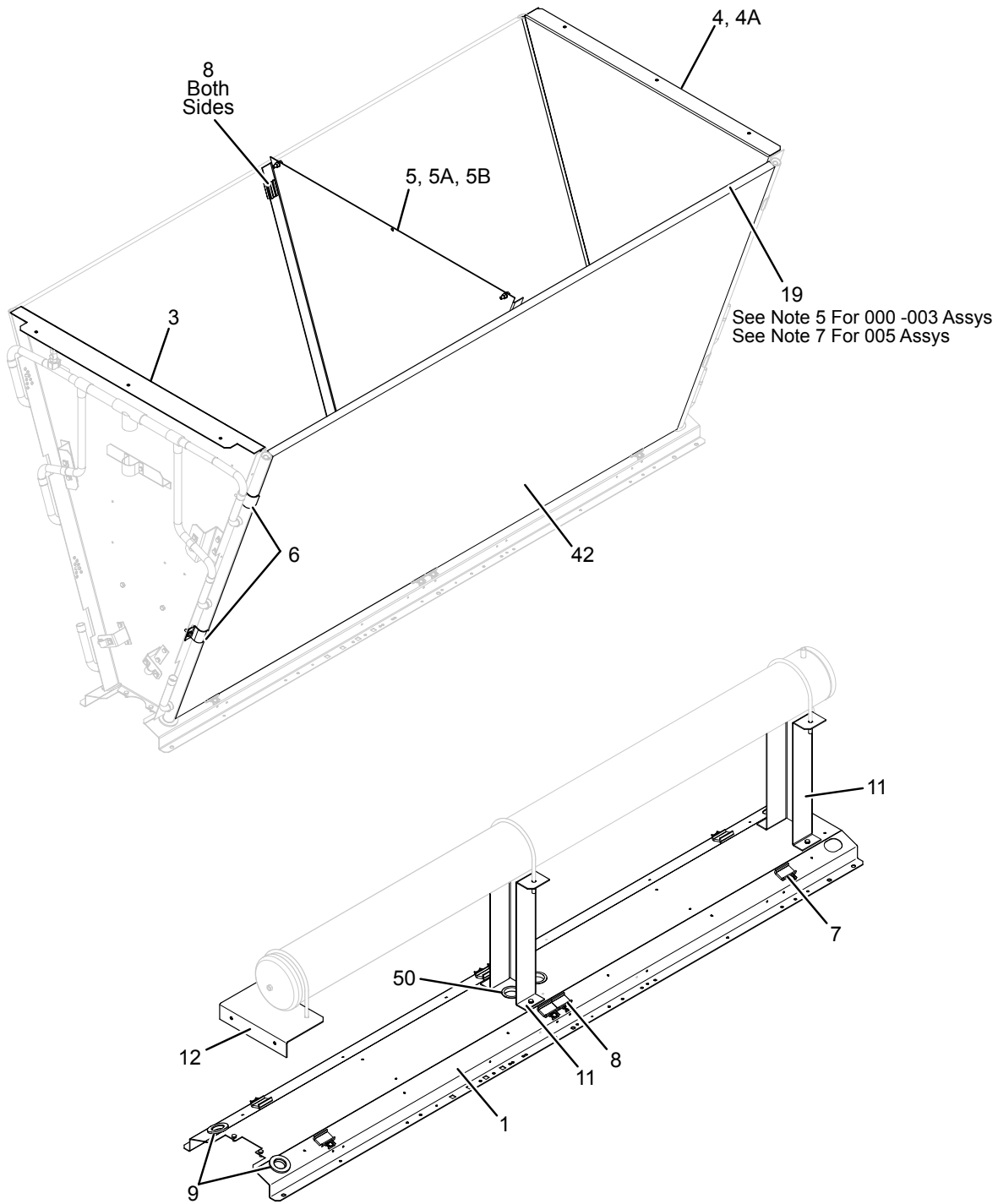


FIGURE 21 - CONDENSER COILS



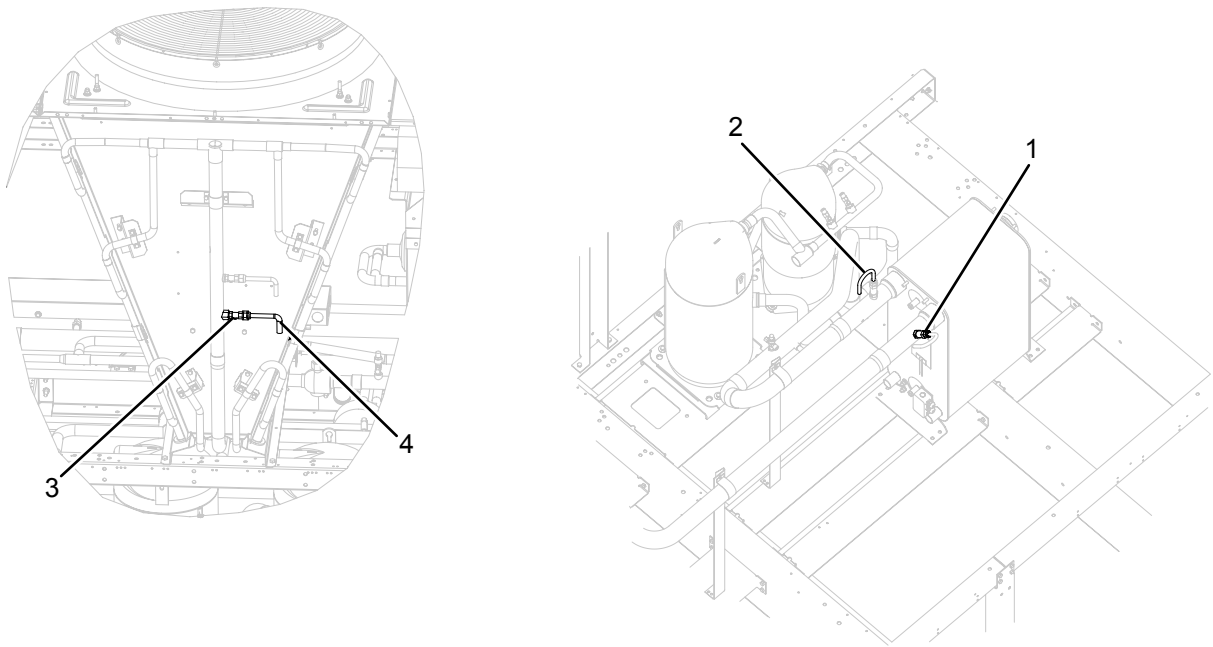
LD16779b

FIGURE 22 - CONDENSER COILS

RELIEF SAFETY DEVICES

TABLE 19 - RELIEF SAFETY DEVICES

ITEM	DESCRIPTION	PART NUMBER	SAP
1	Valve Relief (450 PSIG)	022-11879-000	731443
2	Tube Relief Valve Kit	375-37978-000	410839
	Tube Relief Valve	075-37977-000	410932
	FLA Short Forged 45 Nut	021-05663-000	115672
3	Valve Relief (43.1 lbs. of Air/Min)	022-10682-001	394324
4	Tube Relief Valve DXST Kit	375-37975-000	410931
	Tube Relief Valve	075-37974-000	410933
	FLA Short Forged 45 Nut	021-05663-000	115672



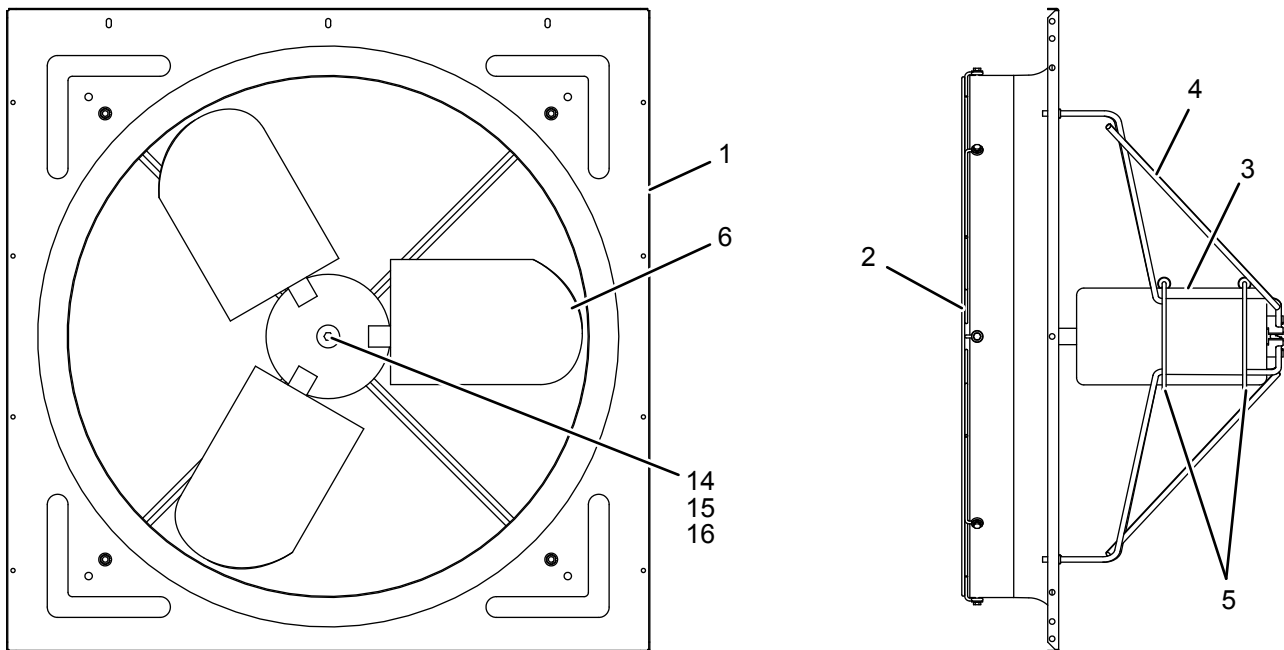
LD16780

FIGURE 23 - RELIEF SAFETY DEVICES

FAN DECK ASSEMBLY AND FAN WIRING SET

TABLE 20 - FAN COMPONENTS, STANDARD LOW SOUND AND ULTRA QUIET FANS

ITEM	VOLTAGE (PIN 11 & 12)	DESCRIPTION	PART NUMBER		QUANTITY
			STD LOW SOUND	ULTRA QUIET FAN	
1	All	Orifice, Flanged	026-45682-000	026-45682-000	1
2	All	Guard, Fan	026-46008-000	026-46008-000	1
3	17	Motor, Fan TEAO, 2 HP 6 Pole	024-36873-103	-----	1
	28	Motor, Fan TEAO, 2 HP 6 Pole	024-36873-106	-----	
	17 and 28	Motor, Fan TEAO, 8 Pole	-----	024-34980-102	
	40	Motor, Fan TEAO, 2 HP 6 Pole	024-36873-104	-----	
		Motor, Fan TEAO, 8 Pole	-----	024-34980-105	
	46	Motor, Fan TEAO, 2 HP 6 Pole	024-36873-107	-----	
		Motor, Fan TEAO, 8 Pole	-----	024-34980-101	
	58	Motor, Fan TEAO, 2 HP 6 Pole	024-36873-102	-----	
Motor, Fan TEAO, 8 Pole		-----	024-34980-104		
4	All	Support, Fan Motor	026-46735-000	-----	1
5	All	Support, Ring	026-36367-000	-----	1
6	All	Fan Impeller, 900mm	026-41594-000	-----	1
			-----	026-41942-000	
14	All	Screw, Cap Hex Hd, M8 X 1.25-6g	021-18494-000	-----	1
15	All	Spacer, Fan Motor	075-29007-000	-----	1
16	17	Spacer, Fan Motor	075-40484-000	-----	1



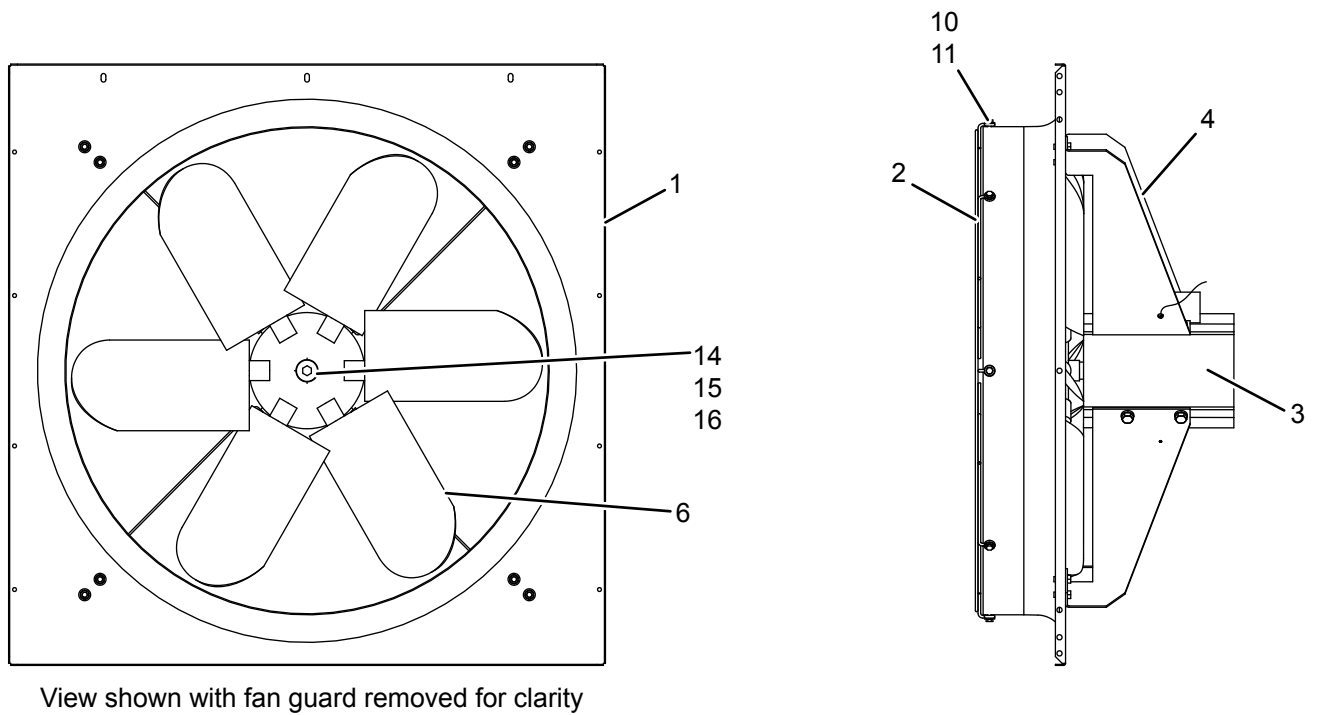
View shown with fan guard removed for clarity

LD15897

FIGURE 24 - FAN COMPONENTS, STANDARD LOW SOUND AND ULTRA QUIET FANS

TABLE 21 - FAN COMPONENTS, HIGH AIR FLOW FANS

ITEM	VOLTAGE (PIN 11 & 12)	DESCRIPTION	PART NUMBER	QUANTITY
1	40, 46	Orifice	026-45682-000	1
2	40, 46	Guard	026-46008-000	1
3	40	Motor Fan, TEAO, 3 Hp	024-36874-002	1
	46	Motor, Fan, TEAO, 3 Hp 6 Pole	024-36874-003	
4	40, 46	Bracket, Fan Support	075-67014-000	4
6	40, 46	Fan Impeller, 900mm	026-45538-000	1
10	40, 46	Screw, Cap Hex, 1/4" X 3/4" Lg	021-31337-000	8
11	40, 46	Washer, Plain, 5/16" ID X 3/4" OD	021-19314-000	8
14	40	Spacer, Fan Motor	075-40485-000	1
15	40, 46	Spacer, Fan Motor	075-67017-000	1
16	40, 46	Screw, Cap Hex Hd, M10 1.5-6h	021-17791-000	1



LD15899

FIGURE 25 - FAN COMPONENTS, HIGH AIR FLOW FANS

SYSTEM WIRING

TABLE 22 - SENSOR WIRING PIN 32 = X (YLAA0058)

FUNCTION	BOARD LOCATION	CABLE ITEM NUMBER	CABLE NUMBER	WIRE COLOR	PLUG PIN NUMBER	HARNESS ASSEMBLY PART NUMBER
System #1 Suction Pressure	Micro P7	100	4	Red	5	575-72382-617**
				White	10	
				Black	9	
				Drain	1	
The Discharge Pressure & Low Ambient Options Share These Pins	Micro P7			Red	6	
				White	11	
				Black	7	
				Drain	2	
Leaving Water Temperature	Micro P6	105	1	Black	7	575-72382-624**
				Red	4	
				Drain	1	
Enter Water Temperature	Micro P6	106	3	Black	8	575-72382-627**
				Red	5	
				Drain	2	
Outside Air Temperature	Micro P6	104	2	Black	9	575-72382-623**
				Red	6	
				Drain	3	
System #2 Suction Pressure	Micro P9	101	5	Red	5	575-72382-618**
				White	10	
				Black	9	
				Drain	1	
The Discharge Pressure & Low Ambient Options Share These Pins	Micro P9			Red	6	
				White	11	
				Black	7	
				Drain	2	

NOTE: **Refer to *Table 52 on page 65* for further breakdown of Wiring Harness.

TABLE 23 - SENSOR WIRING PIN 32 = X (YLAA0065)

FUNCTION	BOARD LOCATION	CABLE ITEM NUMBER	CABLE NUMBER	WIRE COLOR	PLUG PIN NUMBER	HARNESS ASSEMBLY PART NUMBER
System #1 Suction Pressure	Micro P7	100	4	Red	5	575-72382-619**
				White	10	
				Black	9	
				Drain	1	
The Discharge Pressure & Low Ambient Options Share These Pins				Red	6	
				White	11	
				Black	7	
				Drain	2	
Leaving Water Temperature		105	1	Black	7	575-72382-625**
				Red	4	
				Drain	1	
Enter Water Temperature	Micro P6	106	3	Black	8	575-72382-628**
				Red	5	
				Drain	2	
Outside Air Temperature		104	2	Black	9	575-72382-623**
				Red	6	
				Drain	3	
System #2 Suction Pressure	Micro P9	101	5	Red	5	575-72382-618**
				White	10	
				Black	9	
				Drain	1	
The Discharge Pressure & Low Ambient Options Share These Pins				Red	6	
				White	11	
				Black	7	
				Drain	2	

NOTE: **Refer to Table 52 on page 65 for further breakdown of Wiring Harness.

TABLE 24 - 1-BDP DISCHARGE PRESSURE WIRING DETAIL PIN 32 = X (YLAA0058, YLAA0065, YLAA0081)

FUNCTION	PIGTAIL PLUG LOCATION	CABLE ITEM NUMBER	CABLE NUMBER	PLUG PIN NO.	WIRE COLOR	HARNESS ASSEMBLY PART NUMBER
System #1 Discharge Pressure	P16	102	6	1	Red	575-72382-621**
				2	White	
				3	Black	
				4	Drain	

NOTE: **Refer to Table 52 on page 65 for further breakdown of Wiring Harness.

TABLE 25 - 2-BDP DISCHARGE PRESSURE WIRING DETAIL PIN 32 = X (YLAA0058, YLAA0065, YLAA0081)

FUNCTION	PIGTAIL PLUG LOCATION	CABLE ITEM NUMBER	CABLE NUMBER	PLUG PIN NO.	WIRE COLOR	HARNESS ASSEMBLY PART NUMBER
System #2 Discharge Pressure	P18	103	7	1	Red	575-72382-622**
				2	White	
				3	Black	
				4	Drain	

NOTE: **Refer to *Table 52 on page 65* for further breakdown of Wiring Harness.

TABLE 26 - SENSOR WIRING PIN 32 = X (YLAA0081)

FUNCTION	BOARD LOCATION	CABLE ITEM NUMBER	CABLE NUMBER	WIRE COLOR	PLUG PIN NUMBER	HARNESS ASSEMBLY PART NUMBER
System #1 Suction Pressure	Micro P7	100	4	Red	5	575-72382-617**
				White	10	
				Black	9	
				Drain	1	
The Discharge Pressure & Low Ambient Options Share These Pins	Micro P7			Red	6	
				White	11	
				Black	7	
				Drain	2	
Leaving Water Temperature	Micro P6	105	1	Black	7	575-72382-626**
				Red	4	
				Drain	1	
Enter Water Temperature	Micro P6	106	3	Black	8	575-72382-629**
				Red	5	
				Drain	2	
Outside Air Temperature	Micro P6	104	2	Black	9	575-72382-623**
				Red	6	
				Drain	3	
System #2 Suction Pressure	Micro P9	101	5	Red	5	575-72382-620**
				White	10	
				Black	9	
				Drain	1	
The Discharge Pressure & Low Ambient Options Share These Pins	Micro P9			Red	6	
				White	11	
				Black	7	
				Drain	2	

NOTE: **Refer to *Table 52 on page 65* for further breakdown of Wiring Harness.

TABLE 27 - SENSOR WIRING PIN 32 = X (YLAA0070, YLAA0080, YLAA0089, YLAA0100, YLAA0101)

FUNCTION	BOARD LOCATION	CABLE ITEM NUMBER	CABLE NUMBER	WIRE COLOR	PLUG PIN NUMBER	HARNESS ASSEMBLY PART NUMBER
System #1 Suction Pressure	Micro P7	100	4	Red	5	575-72382-345**
				White	10	
				Black	9	
				Drain	1	
The Discharge Pressure & Low Ambient Options Share These Pins				Red	6	
				White	11	
				Black	7	
				Drain	2	
Leaving Water Temperature		105	1	Black	7	575-72382-347**
				Red	4	
				Drain	1	
Enter Water Temperature	Micro P6	106	3	Black	8	575-72382-348**
				Red	5	
				Drain	2	
Outside Air Temperature		104	2	Black	9	575-72382-311**
				Red	6	
				Drain	3	
System #2 Suction Pressure	Micro P9	101	5	Red	5	575-72382-346**
				White	10	
				Black	9	
				Drain	1	
The Discharge Pressure & Low Ambient Options Share These Pins				Red	6	
				White	11	
				Black	7	
				Drain	2	

NOTE: **Refer to Table 52 on page 65 for further breakdown of Wiring Harness.

**TABLE 28 - 1-BDP DISCHARGE PRESSURE WIRING DETAIL PIN 32 = X
 (YLAA0070, YLAA0080, YLAA0089, YLAA0100, YLAA0101)**

FUNCTION	PIGTAIL PLUG LOCATION	CABLE ITEM NUMBER	CABLE NUMBER	PLUG PIN NO.	WIRE COLOR	HARNESS ASSEMBLY PART NUMBER
System #1 Discharge Pressure	P16	102	6	1	Red	575-72382-309**
				2	White	
				3	Black	
				4	Drain	

NOTE: **Refer to Table 52 on page 65 for further breakdown of Wiring Harness.

**TABLE 29 - 2-BDP DISCHARGE PRESSURE WIRING DETAIL PIN 32 = X
 (YLAA0070, YLAA0080, YLAA0089, YLAA0100, YLAA0101)**

FUNCTION	PIGTAIL PLUG LOCATION	CABLE ITEM NUMBER	CABLE NUMBER	PLUG PIN NO.	WIRE COLOR	HARNESS ASSEMBLY PART NUMBER
System #2 Discharge Pressure	P18	103	7	1	Red	575-72382-310**
				2	White	
				3	Black	
				4	Drain	

NOTE: **Refer to *Table 52 on page 65* for further breakdown of Wiring Harness.

TABLE 30 - SENSOR WIRING PIN 32 = X (YLAA0092, YLAA0115, YLAA0120)

FUNCTION	BOARD LOCATION	CABLE ITEM NUMBER	CABLE NUMBER	WIRE COLOR	PLUG PIN NUMBER	HARNESS ASSEMBLY PART NUMBER
System #1 Suction Pressure	Micro P7	100	4	Red	5	575-72382-341**
				White	10	
				Black	9	
				Drain	1	
The Discharge Pressure & Low Ambient Options Share These Pins				Red	6	
				White	11	
				Black	7	
				Drain	2	
Leaving Water Temperature	Micro P6	105	1	Black	7	575-72382-343**
				Red	4	
				Drain	1	
Enter Water Temperature	Micro P6	106	3	Black	8	575-72382-344**
				Red	5	
				Drain	2	
Outside Air Temperature	Micro P6	104	2	Black	9	575-72382-304**
				Red	6	
				Drain	3	
System #2 Suction Pressure	Micro P9	101	5	Red	5	575-72382-342**
				White	10	
				Black	9	
				Drain	1	
The Discharge Pressure & Low Ambient Options Share These Pins				Red	6	
				White	11	
				Black	7	
				Drain	2	

NOTE: **Refer to *Table 52 on page 65* for further breakdown of Wiring Harness.

TABLE 31 - SENSOR WIRING PIN 32 = X (YLAA0125 - YLAA0175)

FUNCTION	BOARD LOCATION	CABLE ITEM NUMBER	CABLE NUMBER	WIRE COLOR	PLUG PIN NUMBER	HARNESS ASSEMBLY PART NUMBER
System #1 Suction Pressure	Micro P7	100	4	Red	5	575-72382-341**
				White	10	
				Black	9	
				Drain	1	
The Discharge Pressure & Low Ambient Options Share These Pins				Red	6	
				White	11	
				Black	7	
				Drain	2	
Leaving Water Temperature		105	1	Black	7	575-72382-350**
				Red	4	
				Drain	1	
Enter Water Temperature	Micro P6	106	3	Black	8	575-72382-351**
				Red	5	
				Drain	2	
Outside Air Temperature		104	2	Black	9	575-72382-304**
				Red	6	
				Drain	3	
System #2 Suction Pressure	Micro P9	101	5	Red	5	575-72382-342**
				White	10	
				Black	9	
				Drain	1	
The Discharge Pressure & Low Ambient Options Share These Pins				Red	6	
				White	11	
				Black	7	
				Drain	2	

NOTE: **Refer to Table 52 on page 65 for further breakdown of Wiring Harness.

TABLE 32 - 1-BDP DISCHARGE PRESSURE WIRING DETAIL PIN 32 = X (YLAA0092, YLAA0115 - YLAA0175)

FUNCTION	PIGTAIL PLUG LOCATION	CABLE ITEM NUMBER	CABLE NUMBER	PLUG PIN NO.	WIRE COLOR	HARNESS ASSEMBLY PART NUMBER
System #1 Discharge Pressure	P16	102	6	1	Red	575-72382-302**
				2	White	
				3	Black	
				4	Drain	

NOTE: **Refer to Table 52 on page 65 for further breakdown of Wiring Harness.

TABLE 33 - 2-BDP DISCHARGE PRESSURE WIRING DETAIL PIN 32 = X (YLAA0092, YLAA0115 - YLAA0175)

FUNCTION	PIGTAIL PLUG LOCATION	CABLE ITEM NUMBER	CABLE NUMBER	PLUG PIN NO.	WIRE COLOR	HARNESS ASSEMBLY PART NUMBER
System #2 Discharge Pressure	P18	103	7	1	Red	575-72382-303**
				2	White	
				3	Black	
				4	Drain	

NOTE: **Refer to Table 52 on page 65 for further breakdown of Wiring Harness.

TABLE 34 - SENSOR WIRING PIN 32 = E (YLAA0058)

FUNCTION	BOARD LOCATION	CABLE ITEM NUMBER	CABLE NUMBER	WIRE COLOR	PLUG PIN NUMBER	HARNESS ASSEMBLY PART NUMBER
The Suction Pressure and EEV controller Share These Pins	Micro P7			Red	5	
				White	10	
				Black	9	
				Drain	1	
System #1 Suction Pressure	Micro P7	102	6	Red	6	575-72382-621**
				White	11	
				Black	7	
				Drain	2	
Leaving Water Temperature	Micro P6	105	1	Black	7	575-72382-624**
				Red	4	
				Drain	1	
Enter Water Temperature	Micro P6	106	3	Black	8	575-72382-627**
				Red	5	
				Drain	2	
Outside Air Temperature	Micro P6	104	2	Black	9	575-72382-623**
				Red	6	
				Drain	3	
The Suction Pressure and EEV controller Share These Pins	Micro P9		5	Red	5	
				White	10	
				Black	9	
				Drain	1	
System #2 Suction Pressure	Micro P9	103	7	Red	6	575-72382-622**
				White	11	
				Black	7	
				Drain	2	

NOTE: **Refer to Table 52 on page 65 for further breakdown of Wiring Harness.

TABLE 35 - SENSOR WIRING PIN 32 = E (YLAA0065)

FUNCTION	BOARD LOCATION	CABLE ITEM NUMBER	CABLE NUMBER	WIRE COLOR	PLUG PIN NUMBER	HARNESS ASSEMBLY PART NUMBER
The Suction Pressure and EEV controller Share These Pins	Micro P7			Red	5	
				White	10	
				Black	9	
				Drain	1	
System #1 Suction Pressure		102	6	Red	6	575-72382-619**
				White	11	
				Black	7	
				Drain	2	
Leaving Water Temperature		105	1	Black	7	575-72382-625**
				Red	4	
				Drain	1	
Enter Water Temperature	Micro P6	106	3	Black	8	575-72382-628**
				Red	5	
				Drain	2	
Outside Air Temperature		104	2	Black	9	575-72382-623**
				Red	6	
				Drain	3	
The Suction Pressure and EEV controller Share These Pins	Micro P9		5	Red	5	
				White	10	
				Black	9	
				Drain	1	
System #2 Suction Pressure		103	7	Red	6	575-72382-622**
				White	11	
				Black	7	
				Drain	2	

NOTE: **Refer to Table 52 on page 65 for further breakdown of Wiring Harness.

TABLE 36 - 1-BDP SUCTION PRESSURE WIRING DETAIL PIN 32 = E (YLAA0058, YLAA0081)

FUNCTION	PIGTAIL PLUG LOCATION	CABLE ITEM NUMBER	CABLE NUMBER	PLUG PIN NO.	WIRE COLOR	HARNESS ASSEMBLY PART NUMBER
System #1 Suction Pressure	P20	100	4	1	Red	575-72382-617**
				2	White	
				3	Black	
				4	Drain	

NOTE: **Refer to Table 52 on page 65 for further breakdown of Wiring Harness.

TABLE 37 - 1-BDP SUCTION PRESSURE WIRING DETAIL PIN 32 = E (YLAA0065)

FUNCTION	PIGTAIL PLUG LOCATION	CABLE ITEM NUMBER	CABLE NUMBER	PLUG PIN NO.	WIRE COLOR	HARNESS ASSEMBLY PART NUMBER
System #1 Suction Pressure	P20	100	4	1	Red	575-72382-619**
				2	White	
				3	Black	
				4	Drain	

NOTE: **Refer to *Table 52 on page 65* for further breakdown of Wiring Harness.

TABLE 38 - 2-BDP SUCTION PRESSURE WIRING DETAIL PIN 32 = E (YLAA0058, YLAA0065)

FUNCTION	PIGTAIL PLUG LOCATION	CABLE ITEM NUMBER	CABLE NUMBER	PLUG PIN NO.	WIRE COLOR	HARNESS ASSEMBLY PART NUMBER
System #2 Suction Pressure	P21	101	5	1	Red	575-72382-618**
				2	White	
				3	Black	
				4	Drain	

NOTE: **Refer to *Table 52 on page 65* for further breakdown of Wiring Harness.

TABLE 39 - SENSOR WIRING PIN 32 = E (YLAA0070, YLAA0080, YLAA0089, YLAA0100, YLAA0101)

FUNCTION	BOARD LOCATION	CABLE ITEM NUMBER	CABLE NUMBER	WIRE COLOR	PLUG PIN NUMBER	HARNESS ASSEMBLY PART NUMBER
The Suction Pressure and EEV controller Share These Pins	Micro P7			Red	5	
				White	10	
				Black	9	
				Drain	1	
System #1 Suction Pressure	Micro P7	102	6	Red	6	575-72382-309**
				White	11	
				Black	7	
				Drain	2	
Leaving Water Temperature	Micro P6	105	1	Black	7	575-72382-347**
				Red	4	
				Drain	1	
Enter Water Temperature	Micro P6	106	3	Black	8	575-72382-348**
				Red	5	
				Drain	2	
Outside Air Temperature	Micro P6	104	2	Black	9	575-72382-311**
				Red	6	
				Drain	3	
The Suction Pressure and EEV controller Share These Pins	Micro P9		5	Red	5	
				White	10	
				Black	9	
				Drain	1	
System #2 Suction Pressure	Micro P9	103	7	Red	6	575-72382-310**
				White	11	
				Black	7	
				Drain	2	

NOTE: **Refer to Table 52 on page 65 or further breakdown of Wiring Harness.

TABLE 40 - 1-BDP SUCTION PRESSURE WIRING DETAIL PIN 32 = E (YLAA0070, YLAA0080, YLAA0089, YLAA0100, YLAA0101)

FUNCTION	PIGTAIL PLUG LOCATION	CABLE ITEM NUMBER	CABLE NUMBER	PLUG PIN NO.	WIRE COLOR	HARNESS ASSEMBLY PART NUMBER
System #1 Suction Pressure	P20	100	4	1	Red	575-72382-345**
				2	White	
				3	Black	
				4	Drain	

NOTE: **Refer to Table 52 on page 65 for further breakdown of Wiring Harness.

**TABLE 41 - 2-BDP SUCTION PRESSURE WIRING DETAIL PIN 32 = E
 (YLAA0070, YLAA0080, YLAA0089, YLAA0100, YLAA0101)**

FUNCTION	PIGTAIL PLUG LOCATION	CABLE ITEM NUMBER	CABLE NUMBER	PLUG PIN NO.	WIRE COLOR	HARNESS ASSEMBLY PART NUMBER
System #2 Suction Pressure	P21	101	5	1	Red	575-72382-346**
				2	White	
				3	Black	
				4	Drain	

NOTE: **Refer to *Table 52 on page 65* for further breakdown of Wiring Harness.

TABLE 42 - SENSOR WIRING PIN 32 = E (YLAA0081)

FUNCTION	BOARD LOCATION	CABLE ITEM NUMBER	CABLE NUMBER	WIRE COLOR	PLUG PIN NUMBER	HARNESS ASSEMBLY PART NUMBER
The Suction Pressure and EEV controller Share These Pins	Micro P7			Red	5	
				White	10	
				Black	9	
				Drain	1	
System #1 Suction Pressure		102	6	Red	6	575-72382-621**
				White	11	
				Black	7	
				Drain	2	
Leaving Water Temperature		105	1	Black	7	575-72382-626**
				Red	4	
				Drain	1	
Enter Water Temperature	Micro P6	106	3	Black	8	575-72382-629**
				Red	5	
				Drain	2	
Outside Air Temperature		104	2	Black	9	575-72382-623**
				Red	6	
				Drain	3	
The Suction Pressure and EEV controller Share These Pins	Micro P9		5	Red	5	
				White	10	
				Black	9	
				Drain	1	
System #2 Suction Pressure		103	7	Red	6	575-72382-622**
				White	11	
				Black	7	
				Drain	2	

NOTE: **Refer to *Table 52 on page 65* for further breakdown of Wiring Harness.

TABLE 43 - 2-BDP SUCTION PRESSURE WIRING DETAIL PIN 32 = E (YLAA0081)

FUNCTION	PIGTAIL PLUG LOCATION	CABLE ITEM NUMBER	CABLE NUMBER	PLUG PIN NO.	WIRE COLOR	HARNESS ASSEMBLY PART NUMBER
System #2 Suction Pressure	P21	101	5	1	Red	575-72382-620**
				2	White	
				3	Black	
				4	Drain	

NOTE: **Refer to *Table 52 on page 65* for further breakdown of Wiring Harness.

TABLE 44 - SENSOR WIRING PIN 32 = E (YLAA0092 - YLAA0125)

FUNCTION	BOARD LOCATION	CABLE ITEM NUMBER	CABLE NUMBER	WIRE COLOR	PLUG PIN NUMBER	HARNESS ASSEMBLY PART NUMBER
The Suction Pressure and EEV controller Share These Pins	Micro P7			Red	5	
				White	10	
				Black	9	
				Drain	1	
System #1 Suction Pressure		102	6	Red	6	575-72382-302**
				White	11	
				Black	7	
				Drain	2	
Leaving Water Temperature		105	1	Black	7	575-72382-343**
				Red	4	
				Drain	1	
Enter Water Temperature	Micro P6	106	3	Black	8	575-72382-344**
				Red	5	
				Drain	2	
Outside Air Temperature		104	2	Black	9	575-72382-304**
				Red	6	
				Drain	3	
The Suction Pressure and EEV controller Share These Pins	Micro P9		5	Red	5	
				White	10	
				Black	9	
				Drain	1	
System #2 Suction Pressure		103	7	Red	6	575-72382-303**
				White	11	
				Black	7	
				Drain	2	

NOTE: **Refer to *Table 52 on page 65* for further breakdown of Wiring Harness.

TABLE 45 - SENSOR WIRING PIN 32 = E (YLAA0136 - YLAA0175)

FUNCTION	BOARD LOCATION	CABLE ITEM NUMBER	CABLE NUMBER	WIRE COLOR	PLUG PIN NUMBER	HARNESS ASSEMBLY PART NUMBER
The Suction Pressure and EEV controller Share These Pins	Micro P7			Red	5	
				White	10	
				Black	9	
				Drain	1	
System #1 Suction Pressure		102	6	Red	6	575-72382-302**
				White	11	
				Black	7	
				Drain	2	
Leaving Water Temperature		105	1	Black	7	575-72382-350**
				Red	4	
				Drain	1	
Enter Water Temperature	Micro P6	106	3	Black	8	575-72382-351**
				Red	5	
				Drain	2	
Outside Air Temperature		104	2	Black	9	575-72382-304**
				Red	6	
				Drain	3	
The Suction Pressure and EEV controller Share These Pins	Micro P9		5	Red	5	
				White	10	
				Black	9	
				Drain	1	
System #2 Suction Pressure		103	7	Red	6	575-72382-303**
				White	11	
				Black	7	
				Drain	2	

NOTE: **Refer to Table 52 on page 65 for further breakdown of Wiring Harness.

TABLE 46 - 1-BDP SUCTION PRESSURE WIRING DETAIL PIN 32 = E (YLAA0092 - YLAA0175)

FUNCTION	PIGTAIL PLUG LOCATION	CABLE ITEM NUMBER	CABLE NUMBER	PLUG PIN NO.	WIRE COLOR	HARNESS ASSEMBLY PART NUMBER
System #1 Suction Pressure	P20	100	4	1	Red	575-72382-341**
				2	White	
				3	Black	
				4	Drain	

NOTE: **Refer to Table 52 on page 65 for further breakdown of Wiring Harness.

TABLE 47 - 2-BDP SUCTION PRESSURE WIRING DETAIL PIN 32 = E (YLAA0092 - YLAA0175)

FUNCTION	PIGTAIL PLUG LOCATION	CABLE ITEM NUMBER	CABLE NUMBER	PLUG PIN NO.	WIRE COLOR	HARNESS ASSEMBLY PART NUMBER
System #2 Suction Pressure	P21	101	5	1	Red	575-72382-342**
				2	White	
				3	Black	
				4	Drain	

NOTE: **Refer to *Table 52 on page 65* for further breakdown of Wiring Harness.

TABLE 48 - SYSTEM WIRING STANDARD VALVES (PIN 32 = X)

ITEM	DESCRIPTION	MODEL	PART NUMBER	SAP	FIGURE
3	High Pressure Cut-Out	YLAA0058	575-72382-608	1081129	26
		YLAA0065, YLAA0081	575-72382-610	1081131	
		YLAA0070, YLAA0080, YLAA0089, YLAA0100, YLAA0101	575-72382-209	808289	
		YLAA0092, YLAA0115 - YLAA0175	575-72382-202	808282	
4	High Pressure Cut-Out	YLAA0058	575-72382-609	1081130	26
		YLAA0065	575-72382-611	1081132	
		YLAA0070, YLAA0080, YLAA0089, YLAA0100, YLAA0101, YLAA0136 - YLAA0175	575-72382-210	808290	
		YLAA0081	575-72382-612	1081133	
		YLAA0092, YLAA0115 - YLAA0125	575-72382-203	808283	
7	Sensor Temp 3000 Ohms	YLAA0058 - YLAA00175	025-40334-000	739796	26, 28
9	Assy, Outside Air Temp. Sensor	YLAA0058 - YLAA00175	371-01180-223	771355	26
	Contact Tab Mark II 070 Series		025-28949-000	738245	
	Sensor Temp Ambient Yca		025-28663-001	427369	
	Connector Cap Hsg, 2 Position,		025-28948-000	427370	
	Collar Rubber, Gray, 070		025-28957-000	117435	
16	Sensor Flow 1/4" Npt Conn	YLAA0125 - YLAA0175	025-43553-000	618247	28
17	Flow Switch Cable	YLAA0125 - YLAA0175	024-38119-000	852692	28
20	Transducer Psis 0-400	YLAA0125 - YLAA0175	025-41756-002	392054	26
21	Transducer Psis 0-650	YLAA0125 - YLAA0175	025-41756-003	392055	26
45	Heating Cable	YLAA0125 - YLAA0175	025-45938-001	944456	28

TABLE 49 - SYSTEM WIRING STANDARD VALVES PANEL PARTS (PIN 32 = X)

ITEM	DESCRIPTION	MODEL	PART NUMBER	SAP	FIGURE
1	Wiring Harness (with Din Plug)	YLAA0058	575-72382-613	1081134	26
		YLAA0065, YLAA0081	575-72382-615	1081136	
		YLAA0070, YLAA0080, YLAA0089, YLAA0100, YLAA0101, YLAA0136 - YLAA0175	575-72382-293	813877	
		YLAA0092, YLAA0115, YLAA0120, YLAA0125	575-72382-291	855337	
2	Wiring Harness (with Din Plug)	YLAA0058, YLAA0081	575-72382-614	1081135	26
		YLAA0065	575-72382-616	1081137	
		YLAA0070, YLAA0080, YLAA0089, YLAA0100, YLAA0101, YLAA0136 - YLAA0175	575-72382-294	813878	
		YLAA0092, YLAA0115, YLAA0120, YLAA0125	575-72382-292	855338	
10	Connr, Conduit Flex Angle	YLAA0058 - YLAA0175	025-31318-000	394338	26
18	Wiring Harness Sys #1	YLAA0058 - YLAA0175	575-72382-314	808353	*
19	Hsg Connr Plug Mini 9 Ckt Nat	YLAA0058 - YLAA0175	025-28383-000	737917	*
35	Wiring Harness Sys #2	YLAA0058 - YLAA0175	575-72382-315	808354	*
36	Hsg Connr Plug Mini 4 Ckt Nat	YLAA0058 - YLAA0175	025-28959-000	738246	*
42	Harness Heat. Exch. Htrs.	YLAA0058 - YLAA0175	575-72382-606	898581	26
100	Wiring Harness 3 Conductor Sensor	YLAA0058, YLAA0081	575-72382-617	1081138	26
		YLAA0065	575-72382-619	1081140	
		YLAA0070, YLAA0080, YLAA0089, YLAA0100, YLAA0101	575-72382-345	813879	
		YLAA0092, YLAA0115 - YLAA0175	575-72382-341	855339	
101	Wiring Harness 3 Conductor Sensor	YLAA0058, YLAA0065	575-72382-618	1081139	26
		YLAA0070, YLAA0080, YLAA0089, YLAA0100, YLAA0101	575-72382-346	813880	
		YLAA0081	575-72382-620	1081141	
		YLAA0092, YLAA0115 - YLAA0175	575-72382-342	855340	
102	Wiring Harness 3 Conductor Sensor	YLAA0058, YLAA0065, YLAA0081	575-72382-621	1081142	26
		YLAA0070, YLAA0080, YLAA0089, YLAA0100, YLAA0101	575-72382-309	808348	
		YLAA0092, YLAA0115 - YLAA0175	575-72382-302	808341	
103	Wiring Harness 3 Conductor Sensor	YLAA0058, YLAA0065, YLAA0081	575-72382-622	1081143	26
		YLAA0070, YLAA0080, YLAA0089, YLAA0100, YLAA0101	575-72382-310	808349	
		YLAA0092, YLAA0115 - YLAA0175	575-72382-303	808342	
104	Wiring Harness 2 Conductor Sensor	YLAA0058, YLAA0065, YLAA0081	575-72382-623	1081144	26
		YLAA0070, YLAA0080, YLAA0089, YLAA0100, YLAA0101	575-72382-311	808350	
		YLAA0092, YLAA0115 - YLAA0175	575-72382-304	808343	

TABLE 49 - SYSTEM WIRING STANDARD VALVES PANEL PARTS (PIN 32 = X) (CONT'D)

ITEM	DESCRIPTION	MODEL	PART NUMBER	SAP	FIGURE
105	Wiring Harness 2 Conductor Sensor	YLAA0058	575-72382-624	1081145	26, 28
		YLAA0065	575-72382-625	1081146	
		YLAA0070, YLAA0080, YLAA0089, YLAA0100, YLAA0101	575-72382-347	816571	
		YLAA0081	575-72382-626	1081147	
		YLAA0092, YLAA0115, YLAA0120	575-72382-343	855341	
		YLAA0125 - YLAA0175	575-72382-350	944956	
106	Wiring Harness 2 Conductor Sensor	YLAA0058	575-72382-627	1081148	26, 28
		YLAA0065	575-72382-628	1081149	
		YLAA0070, YLAA0080, YLAA0089, YLAA0100, YLAA0101	575-72382-348	816572	
		YLAA0081	575-72382-629	1081150	
		YLAA0092, YLAA0115, YLAA0120	575-72382-344	855342	
		YLAA0125 - YLAA0175	575-72382-351	944957	

NOTE: Items with an * are NOT represented.

TABLE 50 - SYSTEM WIRING ELECTRONIC EXPANSION VALVES (PIN 32 = E) (PIN 20 = H, S, A, B)

ITEM	DESCRIPTION	MODEL	PART NUMBER	SAP	FIGURE
3	High Pressure Cut-Out	YLAA0058	575-72382-608	1081129	26
		YLAA0065, YLAA0081	575-72382-610	1081131	
		YLAA0070, YLAA0080, YLAA0089, YLAA0100, YLAA0101, YLAA0136 - YLAA0175	575-72382-209	808289	
		YLAA0092, YLAA0115, YLAA0120, YLAA0125	575-72382-202	808282	
4	High Pressure Cut-Out	YLAA0058	575-72382-609	1081130	26
		YLAA0065	575-72382-611	1081132	
		YLAA0070, YLAA0080, YLAA0089, YLAA0100, YLAA0101, YLAA0136 - YLAA0175	575-72382-210	808290	
		YLAA0081	575-72382-612	1081133	
		YLAA0092, YLAA0115, YLAA0120, YLAA0125	575-72382-203	808283	
7	Sensor Temp 3000 Ohms	YLAA0058 - YLAA0175	025-40334-000	739796	26, 28
9	Assy, Outside Air Temp. Sensor	YLAA0058 - YLAA0175	371-01180-223	771355	26
	Contact Tab Mark II 070 Series		025-28949-000	738245	
	Sensor Temp Ambient		025-28663-001	427369	
	Connector Cap Hsg, 2 Position,		025-28948-000	427370	
	Collar Rubber, Gray, 070		025-28957-000	117435	
18	Wiring Harness Sys #1	YLAA0058, YLAA0092, YLAA0115 - YLAA0125	575-72382-314	808353	*
20	Transducer Psis 0-400	YLAA0058 - YLAA0175	025-41756-002	392054	26
21	Transducer Psis 0-650	YLAA0058 - YLAA0175	025-41756-003	392055	26

NOTE: Items with an * are NOT represented.

TABLE 51 - SYSTEM WIRING ELECTRONIC EXPANSION VALVES PANEL PARTS
 (PIN 32 = E) (PIN 20 = H, S, A, B)

ITEM	DESCRIPTION	MODEL	PART NUMBER	SAP	FIGURE
1	Wiring Harness (with Din Plug)	YLAA0058	575-72382-613	1081134	26
		YLAA0065, YLAA0081	575-72382-615	1081136	
		YLAA0070, YLAA0080, YLAA0089, YLAA0100, YLAA0101, YLAA0136 - YLAA0175	575-72382-293	813877	
		YLAA0092, YLAA0115, YLAA0120, YLAA0125	575-72382-291	855337	
2	Wiring Harness (with Din Plug)	YLAA0058, YLAA0081	575-72382-614	1081135	26
		YLAA0065	575-72382-616	1081137	
		YLAA0070, YLAA0080, YLAA0089, YLAA0100, YLAA0101, YLAA0136 - YLAA0175	575-72382-294	813878	
		YLAA0092, YLAA0115, YLAA0120, YLAA0125	575-72382-292	855338	
10	Connr, Conduit Flex Angle	YLAA0058 - YLAA0175	025-31318-000	394338	26
18	Sys. #1 Pigtail (P7/Suct/EEV)	YLAA0058 - YLAA0175	575-72382-332	808368	*
19	Hsg Connr Plug Mini 9 Ckt Nat	YLAA0058 - YLAA0175	025-28383-000	737917	*
35	Sys. #2 Pigtail (P9/Suct/EEV) (Pin 20 H or S)	YLAA0058 - YLAA0175	575-72382-333	808369	*
	Sys. #2 Pigtail (EEV/Low Amb.) (Pin 20 A or B)	YLAA0058 - YLAA0175	575-72382-331	808367	
36	Hsg Connr Plug Mini 4 Ckt Nat	YLAA0058 - YLAA0175	025-28959-000	738246	*
41	Surface And Duct Sensor	YLAA0058 - YLAA0175	025-42433-000	516912	27
42	Harness Heat. Exch. Htrs.	YLAA0058 - YLAA0175	575-72382-606	898581	26
53	Cable And Connector Assy.	YLAA0058 - YLAA0175	025-44664-002	899838	27
100	Wiring Harness 3 Conductor Sensor	YLAA0058, YLAA0081	575-72382-617	1081138	26
		YLAA0065	575-72382-619	1081140	
		YLAA0070, YLAA0080, YLAA0089, YLAA0100, YLAA0101	575-72382-345	813879	
		YLAA0092, YLAA0115 - YLAA0175	575-72382-341	855339	
101	Wiring Harness 3 Conductor Sensor	YLAA0058, YLAA0065	575-72382-618	1081139	26
		YLAA0070, YLAA0080, YLAA0089, YLAA0100, YLAA0101	575-72382-346	813880	
		YLAA0081	575-72382-620	1081141	
		YLAA0092, YLAA0115 - YLAA0175	575-72382-342	855340	
102	Wiring Harness 3 Conductor Sensor	YLAA0058, YLAA0065, YLAA0081	575-72382-621	1081142	26
		YLAA0070, YLAA0080, YLAA0089, YLAA0100, YLAA0101	575-72382-309	808348	
		YLAA0092, YLAA0115 - YLAA0175	575-72382-302	808341	
103	Wiring Harness 3 Conductor Sensor	YLAA0058, YLAA0065, YLAA0081	575-72382-622	1081143	26
		YLAA0070, YLAA0080, YLAA0089, YLAA0100, YLAA0101	575-72382-310	808349	
		YLAA0092, YLAA0115 - YLAA0175	575-72382-303	808342	

TABLE 51 - SYSTEM WIRING ELECTRONIC EXPANSION VALVES PANEL PARTS
 (PIN 32 = E) (PIN 20 = H, S, A, B) (CONT'D)

ITEM	DESCRIPTION	MODEL	PART NUMBER	SAP	FIGURE
104	Wiring Harness 2 Conductor Sensor	YLAA0058, YLAA0065, YLAA0081	575-72382-623	1081144	26
		YLAA0070, YLAA0080, YLAA0089, YLAA0100, YLAA0101	575-72382-311	808350	
		YLAA0092, YLAA0115 - YLAA0175	575-72382-304	808343	
105	Wiring Harness 2 Conductor Sensor	YLAA0058	575-72382-624	1081145	26, 28
		YLAA0065	575-72382-625	1081146	
		YLAA0070, YLAA0080, YLAA0089, YLAA0100, YLAA0101	575-72382-347	816571	
		YLAA0081	575-72382-626	1081147	
		YLAA0092, YLAA0115, YLAA0120, YLAA0125	575-72382-343	855341	
		YLAA0136 - YLAA0175	575-72382-350	944956	
106	Wiring Harness 2 Conductor Sensor	YLAA0058	575-72382-627	1081148	26, 28
		YLAA0065	575-72382-628	1081149	
		YLAA0070, YLAA0080, YLAA0089, YLAA0100, YLAA0101	575-72382-348	816572	
		YLAA0081	575-72382-629	1081150	
		YLAA0092, YLAA0115, YLAA0120, YLAA0125	575-72382-344	855342	
		YLAA0136 - YLAA0175	575-72382-351	944957	

NOTE: Items with an * are NOT represented.

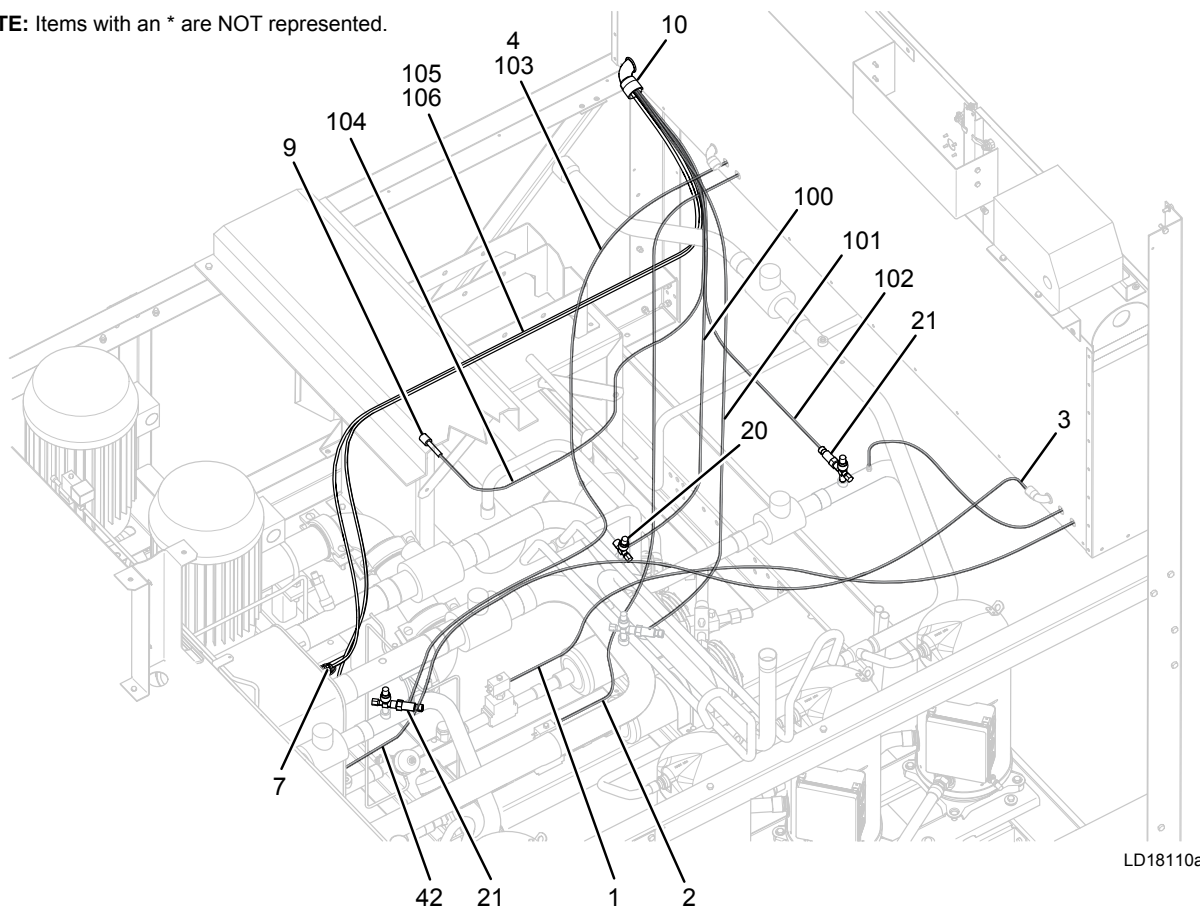
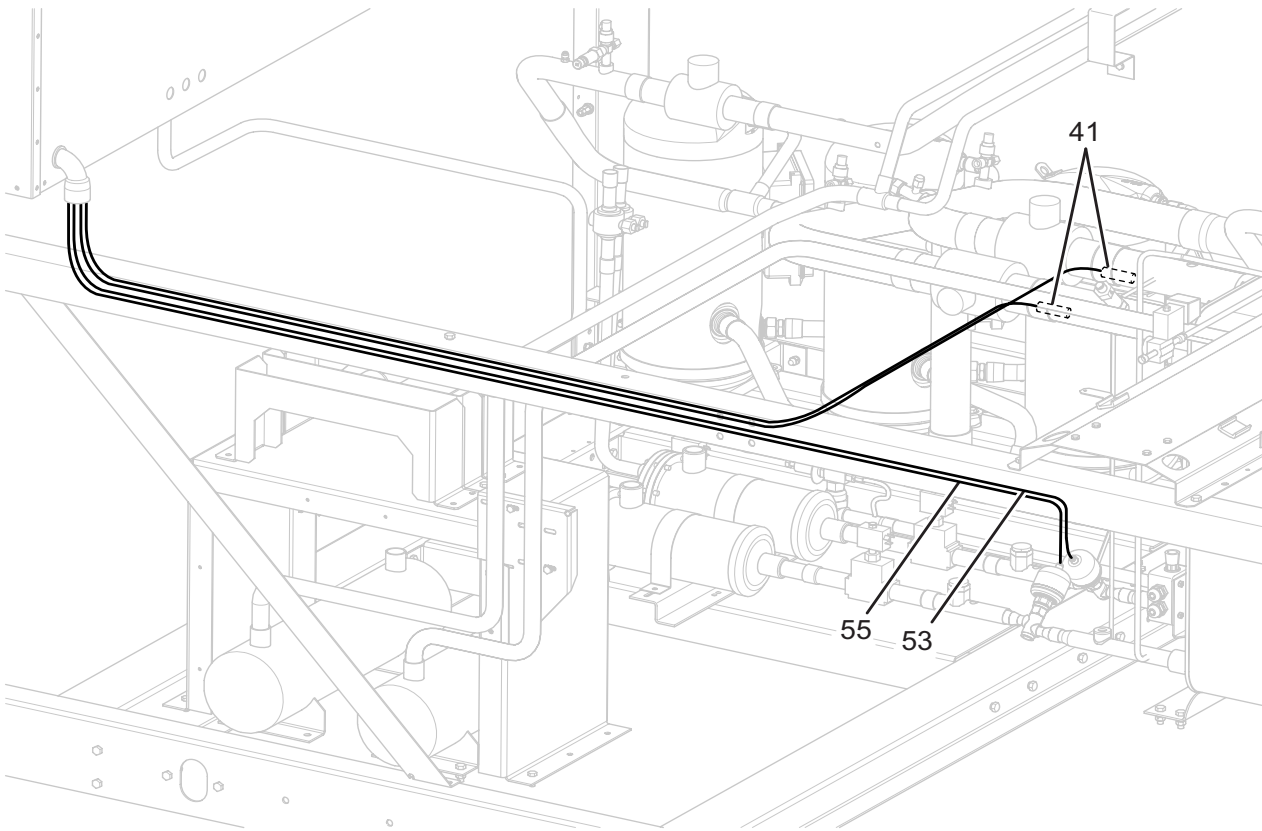
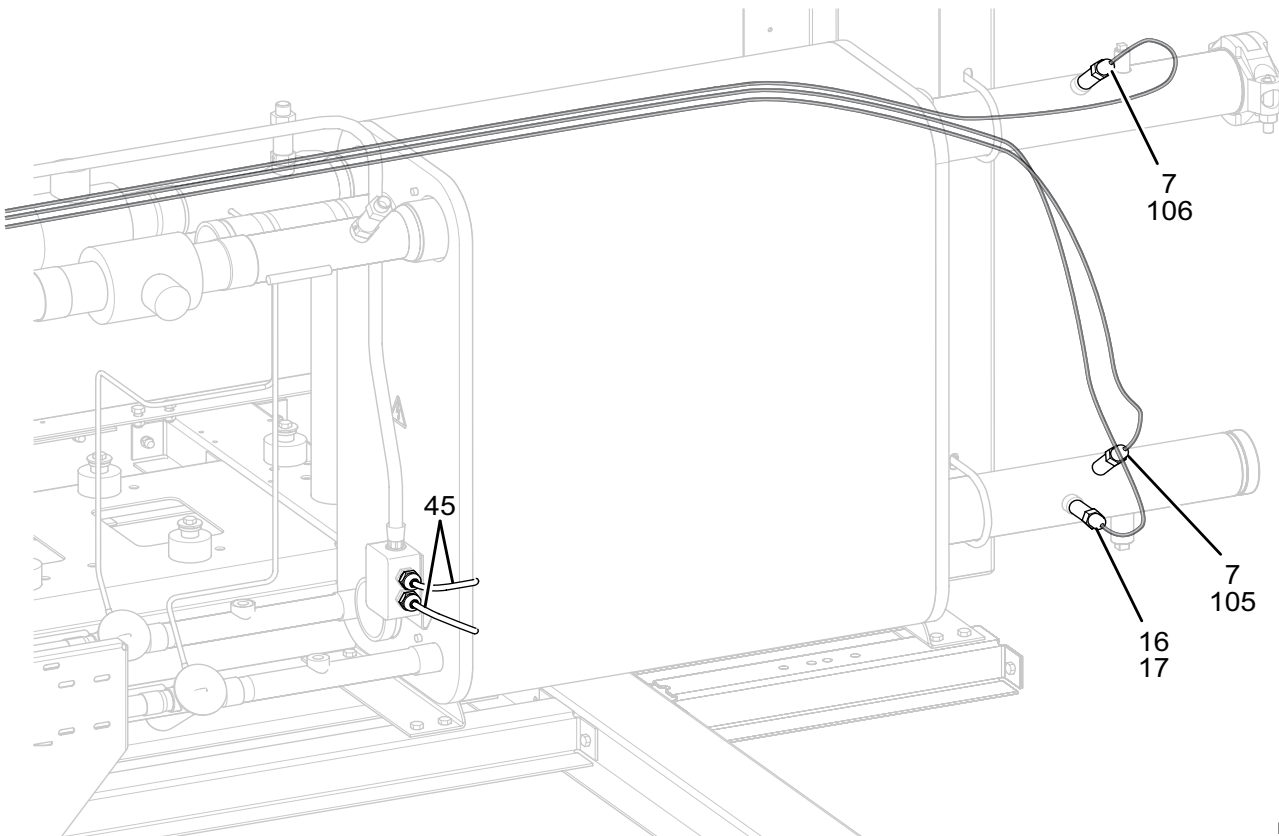


FIGURE 26 - SYSTEM WIRING



LD18035

FIGURE 27 - SYSTEM WIRING



LD18036

FIGURE 28 - SYSTEM WIRING

TABLE 52 - SYSTEM WIRING HARNESS DETAILS

ITEM	DESCRIPTION	PART NUMBER	SAP	QUANTITY
1	System #1 Suction Pressure 1-BSP (YLAA0058, YLAA0081) Pin 32 = X, E	575-72382-617	1081138	-
	Mini-Univ. Socket (P7)	025-28386-000	737925	4
	3 Conductor Shielded Wire	025-30463-003	738503	76"
	Terminal, Female (Sensor End)	025-41812-000	920272	3
	Plug, Connector (Sensor End)	025-41761-000	920269	1
1	System #1 Suction Pressure 1-BSP (YLAA0065) Pin 32 = X, E	575-72382-619	1081140	-
	Mini-Univ. Socket (P7)	025-28386-000	737925	4
	3 Conductor Shielded Wire	025-30463-003	738503	88"
	Terminal, Female (Sensor End)	025-41812-000	920272	3
	Plug, Connector (Sensor End)	025-41761-000	920269	1
1	System #1 Suction Pressure 1-BSP (YLAA0070, YLAA0080, YLAA0089, YLAA0100, YLAA0101) Pin 32 = X, E	575-72382-345	813879	-
	Mini-Univ. Socket (P7)	025-28386-000	737925	4
	3 Conductor Shielded Wire	025-30463-003	738503	111"
	Terminal, Female (Sensor End)	025-41812-000	920272	3
	Plug, Connector (Sensor End)	025-41761-000	920269	1
1	System #1 Suction Pressure 1-BSP (YLAA0092, YLAA0115 - YLAA0175)	575-72382-341	855339	-
	Mini-Univ. Socket (P7)	025-28386-000	737925	4
	3 Conductor Shielded Wire	025-30463-003	738503	103"
	Terminal, Female (Sensor End)	025-41812-000	920272	3
	Plug, Connector (Sensor End)	025-41761-000	920269	1
2	Leaving Water Temperature (BLCT) (YLAA0058)	575-72382-624	1081145	-
	Mini-Univ. Socket (P6)	025-28386-000	737925	4
	2 Conductor Shielded Wire	025-30463-003	738503	120"
	Collar (Sensor End)	025-28950-000	65212	2
	Contact Receptacle (Sensor End)	025-28952-000	260	2
	Plug, Connector (Sensor End)	025-28951-000	62724	1
2	Leaving Water Temperature (BLCT) (YLAA0065)	575-72382-625	1081146	-
	Mini-Univ. Socket (P6)	025-28386-000	737925	4
	2 Conductor Shielded Wire	025-30463-003	738503	130"
	Collar (Sensor End)	025-28950-000	65212	2
	Contact Receptacle (Sensor End)	025-28952-000	260	2
	Plug, Connector (Sensor End)	025-28951-000	62724	1
2	Leaving Water Temperature (BLCT) (YLAA0070, YLAA0080, YLAA0089, YLAA0100, YLAA0101)	575-72382-347	816571	-
	Mini-Univ. Socket (P6)	025-28386-000	737925	4
	2 Conductor Shielded Wire	025-30463-003	738503	140"
	Collar (Sensor End)	025-28950-000	65212	2
	Contact Receptacle (Sensor End)	025-28952-000	260	2
	Plug, Connector (Sensor End)	025-28951-000	62724	1

TABLE 52 - SYSTEM WIRING HARNESS DETAILS (CONT'D)

ITEM	DESCRIPTION	PART NUMBER	SAP	QUANTITY
2	Leaving Water Temperature (BLCT) (YLAA0081)	575-72382-626	1081147	-
	Mini-Univ. Socket (P6)	025-28386-000	737925	4
	2 Conductor Shielded Wire	025-30463-003	738503	112"
	Collar (Sensor End)	025-28950-000	65212	2
	Contact Receptacle (Sensor End)	025-28952-000	260	2
	Plug, Connector (Sensor End)	025-28951-000	62724	1
2	Leaving Water Temperature (BLCT) (YLAA0092, YLAA0115, YLAA0120)	575-72382-343	855341	-
	Mini-Univ. Socket (P6)	025-28386-000	737925	4
	2 Conductor Shielded Wire	025-30463-003	738503	169"
	Collar (Sensor End)	025-28950-000	65212	2
	Contact Receptacle (Sensor End)	025-28952-000	260	2
	Plug, Connector (Sensor End)	025-28951-000	62724	1
2	Leaving Water Temperature (BLCT) (YLAA0125 - YLAA0175)	575-72382-350	944956	-
	Mini-Univ. Socket (P6)	025-28386-000	737925	4
	2 Conductor Shielded Wire	025-30463-003	738503	209"
	Collar (Sensor End)	025-28950-000	65212	2
	Contact Receptacle (Sensor End)	025-28952-000	260	2
	Plug, Connector (Sensor End)	025-28951-000	62724	1
3	Enter Water Temperature (BECT) (YLAA0058)	575-72382-627	1081148	-
	Mini-Univ. Socket (P6)	025-28386-000	737925	3
	2 Conductor Shielded Wire	025-30463-002	738502	98"
	Collar (Sensor End)	025-28950-000	65212	2
	Contact Receptacle (Sensor End)	025-28952-000	260	2
	Plug, Connector (Sensor End)	025-28951-000	62724	1
3	Enter Water Temperature (BECT) (YLAA0065)	575-72382-628	1081149	-
	Mini-Univ. Socket (P6)	025-28386-000	737925	3
	2 Conductor Shielded Wire	025-30463-002	738502	110"
	Collar (Sensor End)	025-28950-000	65212	2
	Contact Receptacle (Sensor End)	025-28952-000	260	2
	Plug, Connector (Sensor End)	025-28951-000	62724	1
3	Enter Water Temperature (BECT) (YLAA0070, YLAA0080, YLAA0089, YLAA0100, YLAA0101)	575-72382-348	816572	-
	Mini-Univ. Socket (P6)	025-28386-000	737925	3
	2 Conductor Shielded Wire	025-30463-002	738502	139"
	Collar (Sensor End)	025-28950-000	65212	2
	Contact Receptacle (Sensor End)	025-28952-000	260	2
	Plug, Connector (Sensor End)	025-28951-000	62724	1
3	Enter Water Temperature (BECT) (YLAA0081)	575-72382-629	1081150	-
	Mini-Univ. Socket (P6)	025-28386-000	737925	3
	2 Conductor Shielded Wire	025-30463-002	738502	94"
	Collar (Sensor End)	025-28950-000	65212	2
	Contact Receptacle (Sensor End)	025-28952-000	260	2
	Plug, Connector (Sensor End)	025-28951-000	62724	1

TABLE 52 - SYSTEM WIRING HARNESS DETAILS (CONT'D)

ITEM	DESCRIPTION	PART NUMBER	SAP	QUANTITY
3	Enter Water Temperature (BECT) (YLAA0092, YLAA0115, YLAA0120)	575-72382-344	855342	-
	Mini-Univ. Socket (P6)	025-28386-000	737925	3
	2 Conductor Shielded Wire	025-30463-002	738502	147"
	Collar (Sensor End)	025-28950-000	65212	2
	Contact Receptacle (Sensor End)	025-28952-000	260	2
	Plug, Connector (Sensor End)	025-28951-000	62724	1
3	Enter Water Temperature (BECT) (YLAA0125 - YLAA0175)	575-72382-351	944957	-
	Mini-Univ. Socket (P6)	025-28386-000	737925	3
	2 Conductor Shielded Wire	025-30463-002	738502	187"
	Collar (Sensor End)	025-28950-000	65212	2
	Contact Receptacle (Sensor End)	025-28952-000	260	2
	Plug, Connector (Sensor End)	025-28951-000	62724	1
4	Outside Air Temperature (BAMB) (YLAA0058, YLAA0065, YLAA0081)	575-72382-623	1081144	-
	Mini-Univ. Socket (P6)	025-28386-000	737925	3
	2 Conductor Shielded Wire	025-30463-002	738502	120"
	Collar (Sensor End)	025-28950-000	65212	2
	Contact Receptacle (Sensor End)	025-28952-000	260	2
	Plug, Connector (Sensor End)	025-28951-000	62724	1
4	Outside Air Temperature (BAMB) (YLAA0070, YLAA0080, YLAA0089, YLAA0100, YLAA0101)	575-72382-311	808350	-
	Mini-Univ. Socket (P6)	025-28386-000	737925	3
	2 Conductor Shielded Wire	025-30463-002	738502	135"
	Collar (Sensor End)	025-28950-000	65212	2
	Contact Receptacle (Sensor End)	025-28952-000	260	2
	Plug, Connector (Sensor End)	025-28951-000	62724	1
4	Outside Air Temperature (BAMB) (YLAA0092, YLAA0115 - YLAA0175)	575-72382-304	808343	-
	Mini-Univ. Socket (P6)	025-28386-000	737925	3
	2 Conductor Shielded Wire	025-30463-002	738502	140"
	Collar (Sensor End)	025-28950-000	65212	2
	Contact Receptacle (Sensor End)	025-28952-000	260	2
	Plug, Connector (Sensor End)	025-28951-000	62724	1
5	System #2 Suction Pressure (2-BSP) (YLAA0058, YLAA0065)	575-72382-618	1081139	-
	Mini-Univ. Socket (P9)	025-28386-000	737925	4
	3 Conductor Shielded Wire	025-30463-003	738503	120"
	Terminal, Female (Sensor End)	025-41812-000	920272	3
	Plug, Connector (Sensor End)	025-41761-000	920269	1
5	System #2 Suction Pressure (2-BSP) (YLAA0070, YLAA0080, YLAA89, YLAA100, YLAA101)	575-72382-346	813880	-
	Mini-Univ. Socket (P9)	025-28386-000	737925	4
	3 Conductor Shielded Wire	025-30463-003	738503	134"
	Terminal, Female (Sensor End)	025-41812-000	920272	3
	Plug, Connector (Sensor End)	025-41761-000	920269	1

TABLE 52 - SYSTEM WIRING HARNESS DETAILS (CONT'D)

ITEM	DESCRIPTION	PART NUMBER	SAP	QUANTITY
5	System #2 Suction Pressure (2-BSP) (YLAA0081)	575-72382-620	1081141	-
	Mini-Univ. Socket (P9)	025-28386-000	737925	4
	3 Conductor Shielded Wire	025-30463-003	738503	96"
	Terminal, Female (Sensor End)	025-41812-000	920272	3
	Plug, Connector (Sensor End)	025-41761-000	920269	1
5	System #2 Suction Pressure (2-BSP) (YLAA0092, YLAA0115 - YLAA0175)	575-72382-342	855340	-
	Mini-Univ. Socket (P9)	025-28386-000	737925	4
	3 Conductor Shielded Wire	025-30463-003	738503	137"
	Terminal, Female (Sensor End)	025-41812-000	920272	3
	Plug, Connector (Sensor End)	025-41761-000	920269	1
6	System #1 Discharge Pressure (1-BDP) (YLAA0058, YLAA0065, YLAA0081)	575-72382-621	1081142	-
	Mini-Univ. Socket (P16)	025-28386-000	737925	4
	3 Conductor Shielded Wire	025-30463-003	738503	69"
	Terminal, Female (Sensor End)	025-41812-000	920272	3
	Plug, Connector (Sensor End)	025-41761-000	920269	1
6	System #1 Discharge Pressure (1-BDP) (YLAA0070, YLAA0080, YLAA0089, YLAA0100, YLAA0101)	575-72382-309	808348	-
	Mini-Univ. Socket (P16)	025-28386-000	737925	4
	3 Conductor Shielded Wire	025-30463-003	738503	100"
	Terminal, Female (Sensor End)	025-41812-000	920272	3
	Plug, Connector (Sensor End)	025-41761-000	920269	1
6	System #1 Discharge Pressure (1-BDP) (YLAA0092, YLAA0115 - YLAA0175)	575-72382-302	808341	-
	Mini-Univ. Socket (P16)	025-28386-000	737925	4
	3 Conductor Shielded Wire	025-30463-003	738503	120"
	Terminal, Female (Sensor End)	025-41812-000	920272	3
	Plug, Connector (Sensor End)	025-41761-000	920269	1
7	System #2 Discharge Pressure (2-BDP) (YLAA0058, YLAA0065, YLAA0081)	575-72382-622	1081143	-
	Mini-Univ. Socket (P18)	025-28386-000	737925	4
	3 Conductor Shielded Wire	025-30463-003	738503	115"
	Terminal, Female (Sensor End)	025-41812-000	920272	3
	Plug, Connector (Sensor End)	025-41761-000	920269	1
7	System #2 Discharge Pressure (2-BDP) (YLAA0070, YLAA0080, YLAA0089, YLAA0100, YLAA0101)	575-72382-310	808349	-
	Mini-Univ. Socket (P18)	025-28386-000	737925	4
	3 Conductor Shielded Wire	025-30463-003	738503	155"
	Terminal, Female (Sensor End)	025-41812-000	920272	3
	Plug, Connector (Sensor End)	025-41761-000	920269	1

TABLE 52 - SYSTEM WIRING HARNESS DETAILS (CONT'D)

ITEM	DESCRIPTION	PART NUMBER	SAP	QUANTITY
7	System #2 Discharge Pressure (2-BDP) (YLAA0092, YLAA0115 - YLAA0175)	575-72382-303	808342	-
	Mini-Univ. Socket (P18)	025-28386-000	737925	4
	3 Conductor Shielded Wire	025-30463-003	738503	160"
	Terminal, Female (Sensor End)	025-41812-000	920272	3
	Plug, Connector (Sensor End)	025-41761-000	920269	1
8	Wiring Harness w/ Din Plug 1-YLLSV (YLAA0058)	575-72382-613	1081134	-
	Conduit, 3/8"	025-31302-000	618155	7'
	Connector 3/8" 90 Deg Angle (Power Panel End)	025-31315-000	618164	1
	Connector 3/8" Straight (Sensor End)	025-31309-000	117547	1
	Connector Din Plug w/ Suppressor (Sensor End)	025-37876-000	117987	1
8	Wiring Harness w/ Din Plug 1-YLLSV (YLAA0070, YLAA0080, YLAA0089, YLAA0100, YLAA0101, YLAA0136 - YLAA0175)	575-72382-293	813877	-
	Conduit, 3/8"	025-31302-000	618155	8'
	Connector 3/8" 90 Deg Angle (Power Panel End)	025-31315-000	618164	1
	Connector 3/8" Straight (Sensor End)	025-31309-000	117547	1
	Connector Din Plug w/ Suppressor (Sensor End)	025-37876-000	117987	1
8	Wiring Harness w/ Din Plug 1-YLLSV (YLAA0092, YLAA0115, YLAA0120, YLAA0125)	575-72382-291	855337	-
	Conduit, 3/8"	025-31302-000	618155	9'
	Connector 3/8" 90 Deg Angle (Power Panel End)	025-31315-000	618164	1
	Connector 3/8" Straight (Sensor End)	025-31309-000	117547	1
	Connector Din Plug w/ Suppressor (Sensor End)	025-37876-000	117987	1
9	Wiring Harness w/ Din Plug 2-YLLSV (YLAA0058, YLAA0081)	575-72382-614	1081135	-
	Conduit, 3/8"	025-31302-000	618155	8'
	Connector 3/8" 90 Deg Angle (Power Panel End)	025-31315-000	618164	1
	Connector 3/8" Straight (Sensor End)	025-31309-000	117547	1
	Connector Din Plug w/ Suppressor (Sensor End)	025-37876-000	117987	1
9	Wiring Harness w/ Din Plug 2-YLLSV (YLAA0065)	575-72382-616	1081137	-
	Conduit, 3/8"	025-31302-000	618155	9.25'
	Connector 3/8" 90 Deg Angle (Power Panel End)	025-31315-000	618164	1
	Connector 3/8" Straight (Sensor End)	025-31309-000	117547	1
	Connector Din Plug w/ Suppressor (Sensor End)	025-37876-000	117987	1
9	Wiring Harness w/ Din Plug 2-YLLSV (YLAA0070, YLAA0080, YLAA0089, YLAA0100, YLAA0101, YLAA0136 - YLAA0175)	575-72382-294	813878	-
	Conduit, 3/8"	025-31302-000	618155	7.17'
	Connector 3/8" 90 Deg Angle (Power Panel End)	025-31315-000	618164	1
	Connector 3/8" Straight (Sensor End)	025-31309-000	117547	1
	Connector Din Plug w/ Suppressor (Sensor End)	025-37876-000	117987	1
9	Wiring Harness w/ Din Plug 2-YLLSV (YLAA0092, YLAA0115, YLAA0120, YLAA0125)	575-72382-292	855338	-
	Conduit, 3/8"	025-31302-000	618155	7.75'
	Connector 3/8" 90 Deg Angle (Power Panel End)	025-31315-000	618164	1
	Connector 3/8" Straight (Sensor End)	025-31309-000	117547	1
	Connector Din Plug w/ Suppressor (Sensor End)	025-37876-000	117987	1

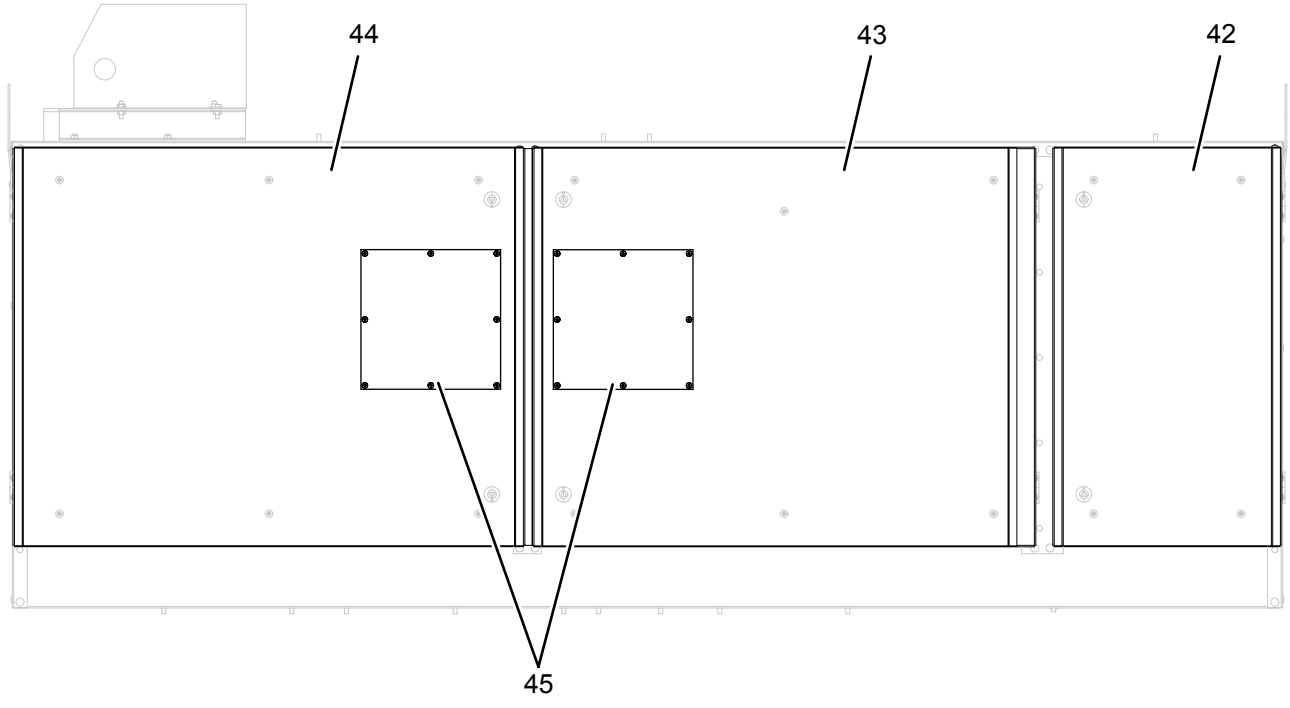
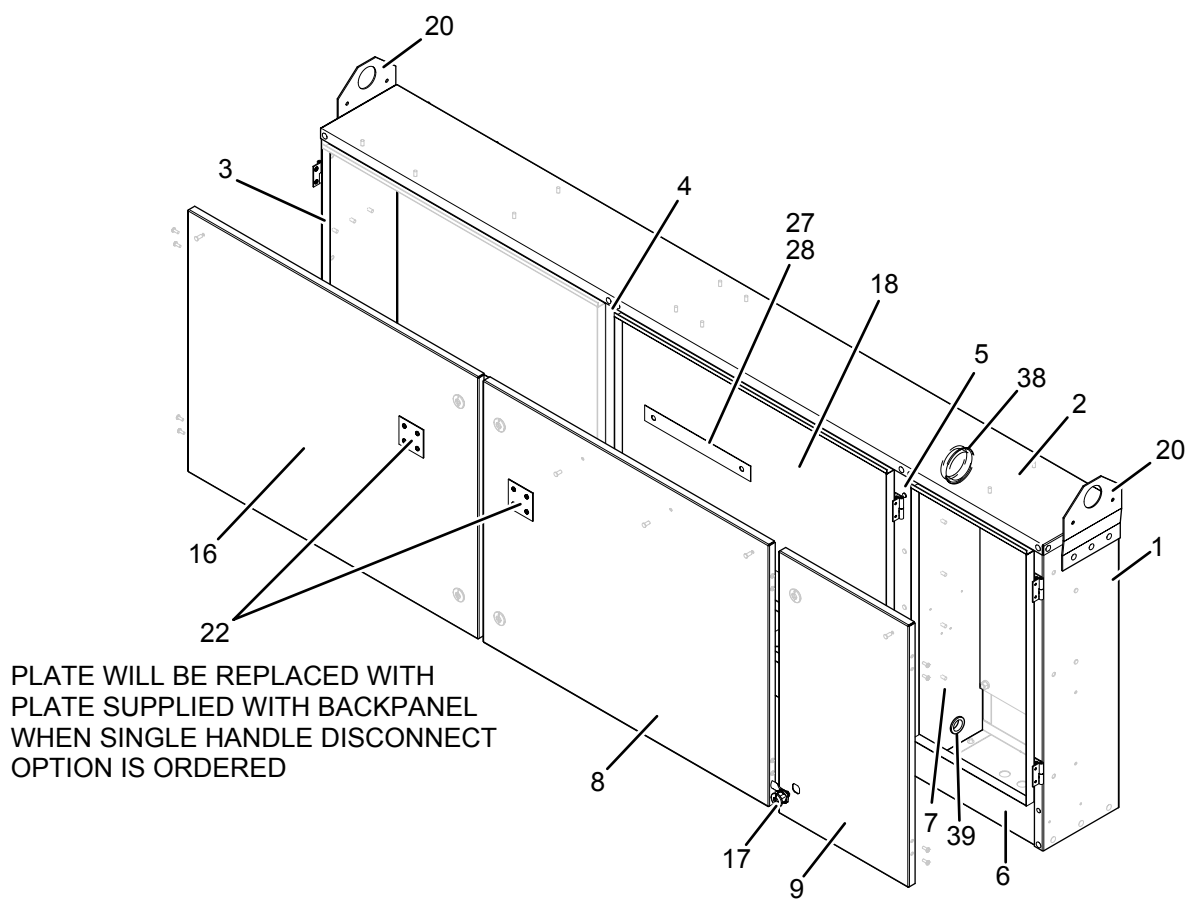
TABLE 52 - SYSTEM WIRING HARNESS DETAILS (CONT'D)

ITEM	DESCRIPTION	PART NUMBER	SAP	QUANTITY
10	Wiring Harness System #1	575-72382-314	808353	-
	3 Conductor Shielded Wire	025-30463-003	738503	.75'
	Plug, 12 Position	025-28384-000	737920	1
	Cap, 4 Position	025-32962-000	738788	1
	Cap, 3 Position	025-39838-000	739721	1
11	Wiring Harness System #2	575-72382-315	808354	-
	3 Conductor Shielded Wire	025-30463-003	738503	.75'
	Plug, 12 Position	025-28384-000	737920	1
	Cap, 4 Position	025-32962-000	738788	1
	Cap, 3 Position	025-39838-000	739721	1
11	Wiring Harness System #2 (Pin 20 = H or S)	575-72382-333	808369	-
	3 Conductor Shielded Wire	025-30463-003	738503	.75'
	3 Conductor Shielded Wire	025-30463-003	738503	2'
	Plug, 12 Position	025-28384-000	737920	1
	Cap, 4 Position	025-32962-000	738788	1
	Cap, 3 Position	025-39838-000	739721	1
11	Wiring Harness System #2 (Pin 20 = A or B)	575-72382-331	808367	-
	3 Conductor Shielded Wire	025-30463-003	738503	.75'
	Plug, 12 Position	025-28384-000	737920	1
	Cap, 4 Position	025-32962-000	738788	1
	Cap, 3 Position	025-39838-000	739721	1
12	Harness Heat Exchanger (EHE)	575-72382-606	898581	-
	Conduit, 3/8"	025-31302-000	618155	10'
	Connector 3/8" 90 Deg Angle (Power Panel End)	025-31315-000	618164	2

CONTROL WIRING AND POWER WIRING

TABLE 53 - POWER ENCLOSURE (PIN 14 = C OR F)

ITEM	DESCRIPTION	PART NUMBER	SAP	FIGURE
1	Electrical Enclosure Panel, Side	075-74544-000	757218	29
2	Electrical Enclosure Panel, Top	075-74542-000	757216	29
3	Electrical Enclosure Panel, Side	075-74543-000	757217	29
4	Support Door Electrical Enclosure	075-74545-000	757219	29
5	Support Door Electrical Enclosure	075-74557-000	757230	29
6	Electrical Enclosure Panel, Bottom	075-74552-000	757223	29
7	Electrical Enclosure Panel	075-74556-000	757229	29
8	Door, Electrical Enclosure	075-74558-000	757231	29
9	Door Control, Electrical Enclosure	075-74554-000	757226	29
16	Door, Electrical Enclosure (Pin 20 = A or H)	075-74553-000	757224	29
	Door, Electrical Enclosure (Pin 20 = B or S)	075-74553-500	757225	
17	Quarter Turn Panel Latch	021-32078-000	410126	29
18	Panel Rear Electrical Enclosure	075-74555-000	757228	29
20	Bracket Lifting Electrical Enclosure	075-74912-000	757514	29
22	Plate Patch	075-61074-009	754268	29
27	Bar Electrical Enclosure	075-74918-000	757515	29
28	Nut Wing M6	021-31562-000	654272	29
38	Snap Bushing	028-14325-000	741869	29
39	Snap Bushing	028-14320-000	741868	29
42	Cover Door Panel Control	075-84343-000	560103	29
43	Cover Door Panel Electrical (Right)	075-84344-001	759414	29
44	Cover Door Panel Electrical (Left)	075-84345-001	759415	29
45	Plate Patch Sunshield	075-90123-000	760207	29

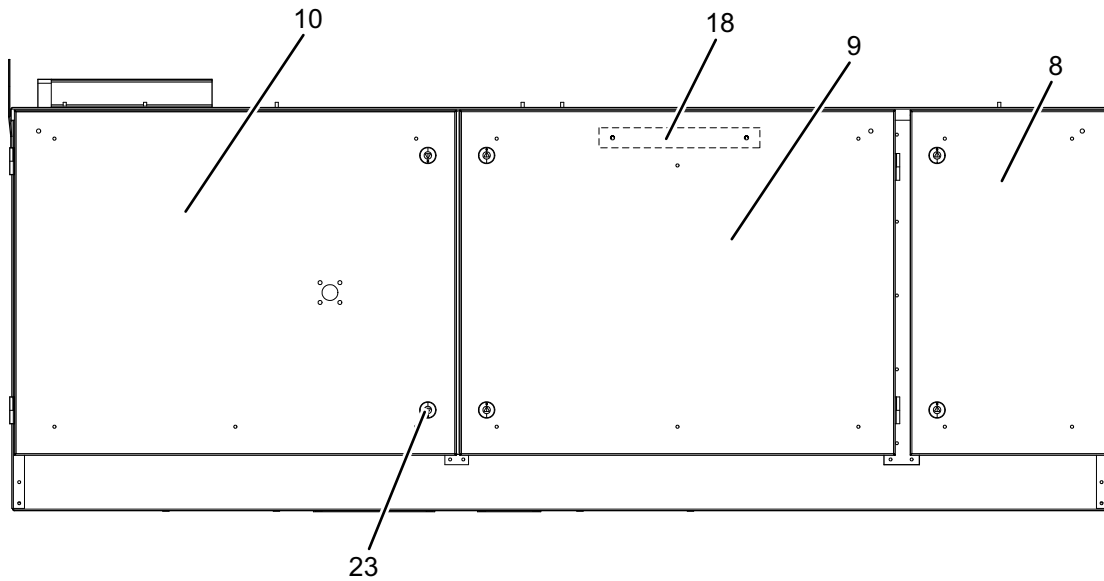
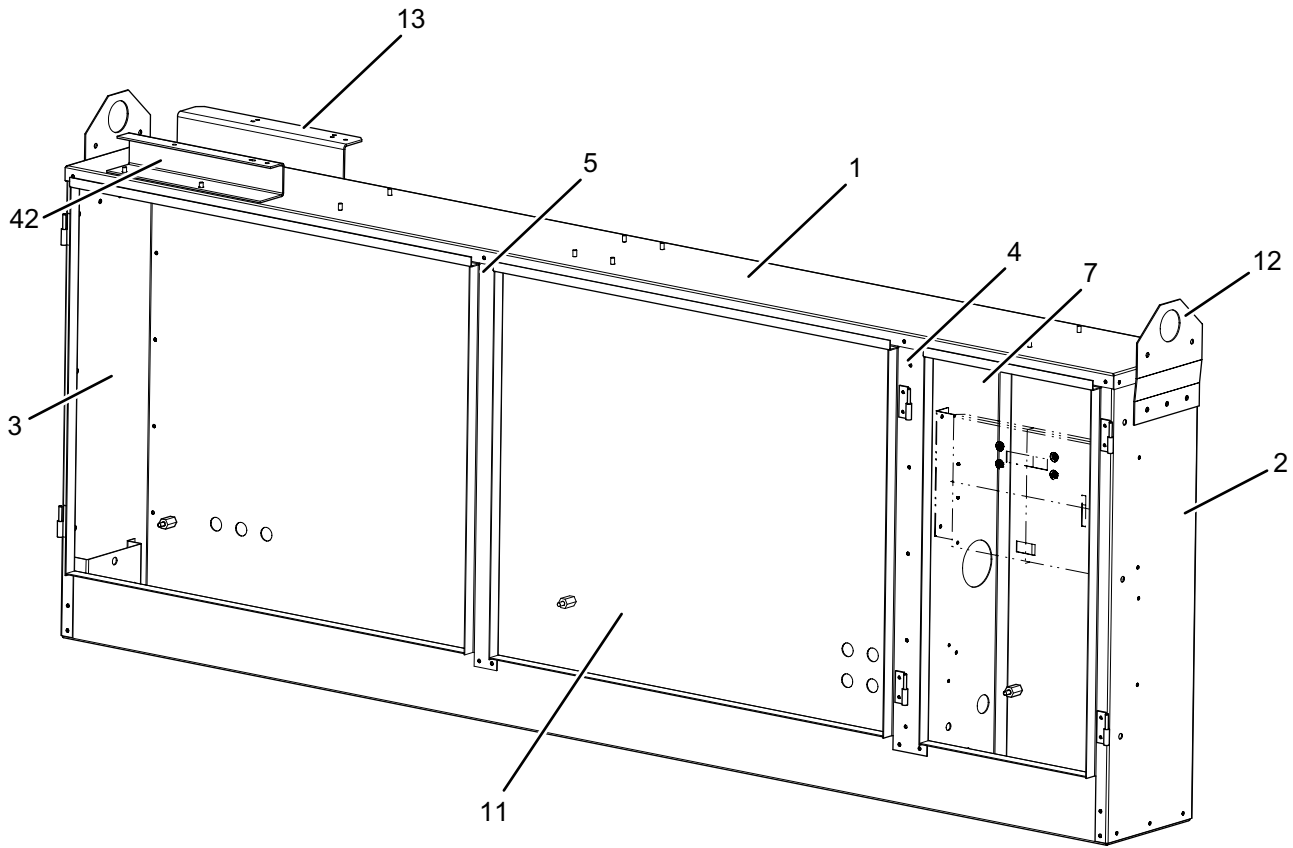


LD16781

FIGURE 29 - POWER ENCLOSURE (PIN 14 = C OR F)

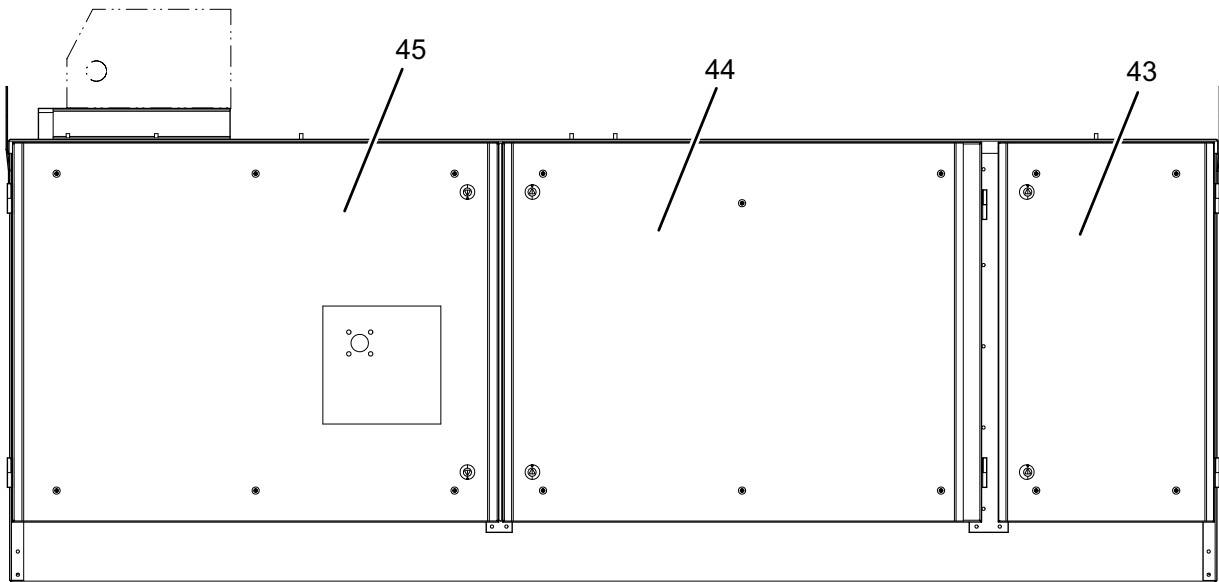
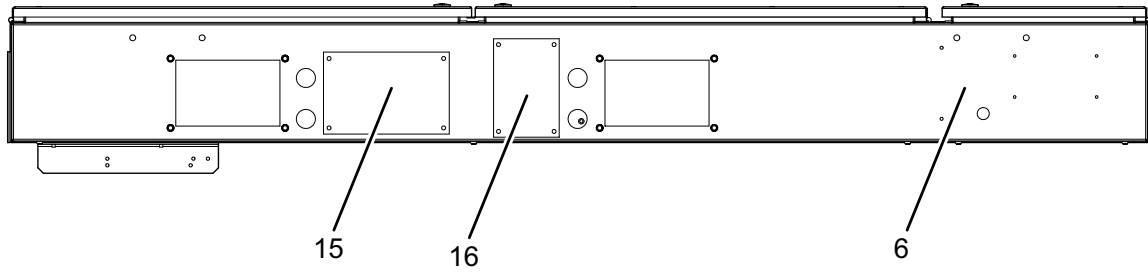
TABLE 54 - POWER ENCLOSURE (PIN 14 = A OR D)

ITEM	DESCRIPTION	PART NUMBER	SAP	FIGURE
1	Panel Top Enclosure	075-76657-000	758087	30
2	Panel Side Enclosure	075-76658-000	502396	30
3	Panel Side Enclosure	075-76659-000	502397	30
4	Support Door Elec	075-76660-000	502398	30
5	Support Enclosure	075-76661-000	758088	30
6	Panel Bottom Enclosure	075-76662-000	758089	31
7	Divider Electrical Enclosure	075-77666-000	502471	30
8	Door Elec Enclosure	075-77667-000	758090	30
	Door Elec Enclosure With Sunshield	075-77667-500	559979	
9	Door Power Enclosure	075-77668-000	758091	30
	Door Power R/H Enclosure With Sunshield	075-77668-500	560101	
10	Door Power Enclosure	075-77669-000	758092	30
	Door Power L/H Enclosure With Sunshield	075-77669-500	560102	
11	Panel Back Enclosure	075-77670-000	758093	30
12	Bracket Lifting Enclosure	075-77671-000	502476	30
13	Bracket Transformer	075-77911-000	758154	30
15	Patch Plate Door	075-77921-000	758155	31
16	Patch Plate Enclosure	075-77922-000	758156	31
17	Bracket Capacitor	075-77923-000	758157	*
18	Patch Plate Enclosure	075-79817-000	502482	30
23	Quarter-Turn Panel Latch	021-32078-000	410126	30
42	Bracket Trans Support	075-82816-000	758879	30
43	Cover Door Panel Control	075-84343-000	560103	31
44	Cover Door Panel Elec R/H	075-84344-000	560104	31
45	Cover Door Panel Control	075-84345-002	560105	31



LD18111

FIGURE 30 - POWER ENCLOSURE (PIN 14 = A OR D)



LD18112

FIGURE 31 - POWER ENCLOSURE (PIN 14 = A OR D)

TABLE 55 - CONTROL PANEL AND POWER PANEL IDENTIFIERS FOR LOW SOUND AND ULTRA QUIET FANS

MODEL	VOLTAGE (PIN 11 & 12)	SINGLE POINT TERMINAL BLOCK (SX)	SINGLE POINT NON-FUSED DISCONNECT SWITCH (SD)	SINGLE POINT CIRCUIT BREAKER (BX)	SINGLE POINT CIRCUIT BREAKER W/ LOCKABLE HANDLE, 65KA SCWR (BC)
YLAA0058	17	371-06570-111	371-06570-211	371-06570-311	371-06570-611
	28				
	40	371-06570-113	371-06570-213	371-06570-313	371-06570-613
	46	371-06570-114	371-06570-214	371-06570-314	371-06570-614
	58	371-06570-115	371-06570-215	371-06570-315	371-06570-615
YLAA0065	17	371-06570-121	371-06570-221	371-06570-321	371-06570-621
	28				
	40	371-06570-123	371-06570-223	371-06570-323	371-06570-623
	46	371-06570-124	371-06570-224	371-06570-324	371-06570-624
	58	371-06570-125	371-06570-225	371-06570-325	371-06570-625
YLAA0070	17	371-05245-101	371-05245-201	371-05245-301	371-05245-601
	28	371-05245-102	371-05245-202	371-05245-302	
	40	371-05245-103	371-05245-203	371-05245-303	371-05245-603
	46	371-05245-104	371-05245-204	371-05245-304	371-05245-604
	58	371-05245-105	371-05245-205	371-05245-305	371-05245-605
YLAA0080 AND YLAA0081	17	371-05245-107	371-05245-207	371-05245-307	371-05245-607
	28	371-05245-108	371-05245-208	371-05245-308	
	40	371-05245-109	371-05245-209	371-05245-309	371-05245-609
	46	371-05245-110	371-05245-210	371-05245-310	371-05245-610
	58	371-05245-111	371-05245-211	371-05245-311	371-05245-611
YLAA0089, YLAA0092	17	371-05246-141	371-05246-241	371-05246-341	371-05246-613
	28	371-05246-142	371-05246-242	371-05246-342	
	40	371-05246-143	371-05246-243	371-05246-343	371-05246-614
	46	371-05246-144	371-05246-244	371-05246-344	371-05246-612
	58	371-05246-145	371-05246-245	371-05246-345	371-05246-615
YLAA0100 AND YLAA0101	17	371-05246-107	371-05246-207	371-05246-329	371-05246-607
	28	371-05246-108	371-05246-208		
	40	371-05246-109	371-05246-209	371-05246-331	371-05246-609
	46	371-05246-110	371-05246-210	371-05246-310	371-05246-610
	58	371-05246-111	371-05246-211	371-05246-333	371-05246-611
YLAA0115, YLAA0120 AND YLAA0125	17	371-05244-107	371-05244-207	371-05244-313	371-05244-607
	28	371-05244-108	371-05244-208		
	40	371-05244-109	371-05244-209	371-05244-315	371-05244-609
	46	371-05244-110	371-05244-210	371-05244-316	371-05244-610
	58	371-05244-111	371-05244-211	371-05244-311	371-05244-611
YLAA0136, YLAA0142	17	371-06570-101	371-06570-201	371-06570-301	371-06570-601
	28				
	40	371-06570-103	371-06570-203	371-06570-303	371-06570-603
	46	371-06570-104	371-06570-204	371-06570-304	371-06570-604
	58	371-06570-105	371-06570-205	371-06570-305	371-06570-605

TABLE 55 - CONTROL PANEL AND POWER PANEL IDENTIFIERS FOR LOW SOUND AND ULTRA QUIET FANS (CONT'D)

MODEL	VOLTAGE (PIN 11 & 12)	SINGLE POINT TERMINAL BLOCK (SX)	SINGLE POINT NON-FUSED DISCONNECT SWITCH (SD)	SINGLE POINT CIRCUIT BREAKER (BX)	SINGLE POINT CIRCUIT BREAKER W/ LOCKABLE HANDLE, 65KA SCWR (BC)
YLAA0150, YLAA0155, YLAA0156	17	371-05246-119	371-05246-219	371-05246-325	371-05246-619
	28	371-05246-120	371-05246-220		
	40	371-05246-121	371-05246-221	371-05246-327	371-05246-621
	46	371-05246-122	371-05246-228	371-05246-328	371-05246-622
	58	371-05246-123	371-05246-223	371-05246-323	371-05246-623
YLAA0170, YLAA0175	17	371-05247-101	371-05247-201	371-05247-307	371-0527-601
	28	371-05247-102	371-05247-202		
	40	371-05247-103	371-05247-203	371-05247-309	371-0527-603
	46	371-05247-104	371-05247-204	371-05247-310	371-0527-604
	58	371-05247-105	371-05247-205	371-05247-311	371-0527-605

To identify replacement part numbers, select panel identifier number from *Table xx* or from the panel identifier label shown on *Figure xx*, then refer to the power panel component. See *Table xx* through *Table xx* and *Figure xx* through *Figure xx*.

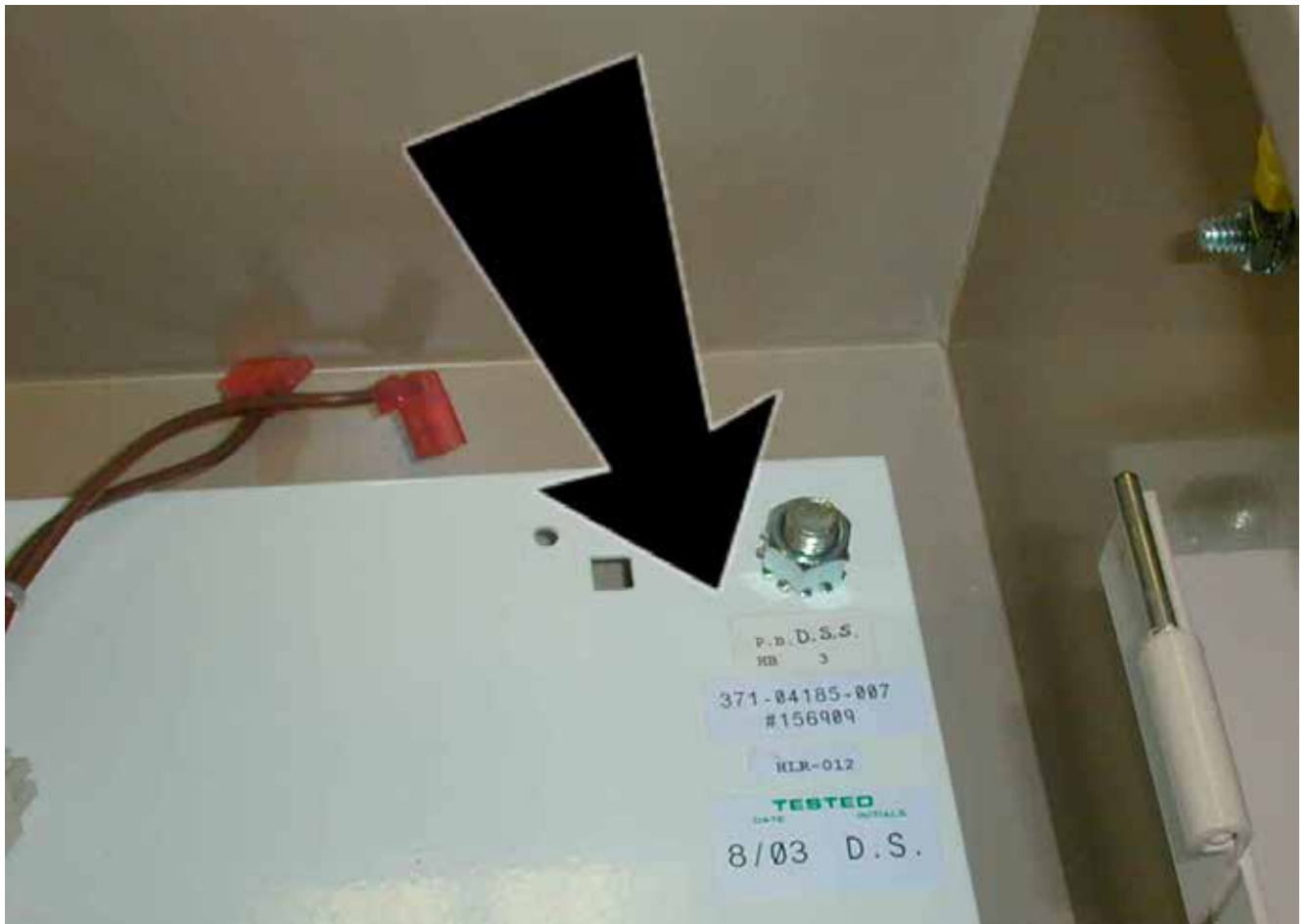
TABLE 56 - CONTROL PANEL AND POWER PANEL IDENTIFIERS FOR HIGH AIR FLOW FANS

MODEL	VOLTAGE (PIN 11 & 12)	SINGLE POINT TERMINAL BLOCK (SX)	SINGLE POINT NON-FUSED DISCONNECT SWITCH (SD)	SINGLE POINT CIRCUIT BREAKER (BX)	SINGLE POINT CIRCUIT BREAKER W/ LOCKABLE HANDLE, 65KA SCWR (BC)
YLAA0058	17	N/A	N/A	N/A	N/A
	28	N/A	N/A	N/A	N/A
	40	371-0650-116	371-06570-216	371-06570-316	371-06570-616
	46	371-06570-117	371-06570-217	371-06570-317	371-06570-617
	58	N/A	N/A	N/A	N/A
YLAA0065	17	N/A	N/A	N/A	N/A
	28	N/A	N/A	N/A	N/A
	40	371-06570-126	371-06570-226	371-06570-326	371-06570-626
	46	371-06570-127	371-06570-227	371-06570-327	371-06570-627
	58	N/A	N/A	N/A	N/A
YLAA0070	17	N/A	N/A	N/A	N/A
	28	N/A	N/A	N/A	N/A
	40	371-05245-160	371-05246-264	371-05246-364	371-05245-660
	46	371-05245-161	371-05246-261	371-05246-365	371-05246-661
	58	N/A	N/A	N/A	N/A
YLAA0080 AND YLAA0081	17	N/A	N/A	N/A	N/A
	28	N/A	N/A	N/A	N/A
	40	371-05245-162	371-05245-262	371-05246-366	371-05245-662
	46	371-05245-163	371-05245-263	371-05246-367	371-05246-663
	58	N/A	N/A	N/A	N/A

TABLE 56 - CONTROL PANEL AND POWER PANEL IDENTIFIERS FOR HIGH AIR FLOW FANS (CONT'D)

MODEL	VOLTAGE (PIN 11 & 12)	SINGLE POINT TERMINAL BLOCK (SX)	SINGLE POINT NON-FUSED DISCONNECT SWITCH (SD)	SINGLE POINT CIRCUIT BREAKER (BX)	SINGLE POINT CIRCUIT BREAKER W/ LOCKABLE HANDLE, 65KA SCWR (BC)
YLAA0089, YLAA0092	17	N/A	N/A	N/A	N/A
	28	N/A	N/A	N/A	N/A
	40	371-05244-190	371-05246-290	371-05246-390	371-05246-668
	46	371-05244-191	371-05246-291	371-05246-391	371-05246-669
	58	N/A	N/A	N/A	N/A
YLAA0100 AND YLAA0101	17	N/A	N/A	N/A	N/A
	28	N/A	N/A	N/A	N/A
	40	371-05246-162	371-05246-262	371-05246-362	371-05246-662
	46	371-05246-163	371-05246-263	371-05246-363	371-05246-663
	58	N/A	N/A	N/A	N/A
YLAA0115, YLAA0120 AND YLAA0125	17	N/A	N/A	N/A	N/A
	28	N/A	N/A	N/A	N/A
	40	371-05244-164	371-05244-264	371-05244-364	371-05244-664
	46	371-05244-165	371-05244-265	371-05244-369	371-05244-665
	58	N/A	N/A	N/A	N/A
YLAA0136, YLAA0142	17	N/A	N/A	N/A	N/A
	28	N/A	N/A	N/A	N/A
	40	371-06570-106	371-06570-206	371-06570-306	371-06570-606
	46	371-06570-107	371-06570-207	371-06570-307	371-06570-607
	58	N/A	N/A	N/A	N/A
YLAA0150, YLAA0155, YLAA0156	17	N/A	N/A	N/A	N/A
	28	N/A	N/A	N/A	N/A
	40	371-05246-170	371-05246-270	371-05246-374	371-05246-670
	46	371-05246-171	371-05246-274	371-05246-375	371-05246-671
	58	N/A	N/A	N/A	N/A
YLAA0170, YLAA0175	17	N/A	N/A	N/A	N/A
	28	N/A	N/A	N/A	N/A
	40	371-05247-160	371-05247-260	371-05247-360	371-05247-660
	46	371-05247-161	371-05247-261	371-05247-361	371-05247-661
	58	N/A	N/A	N/A	N/A

To identify replacement part numbers, select panel identifier number from *Table xx* or from the panel identifier label shown on *Figure xx*, then refer to the power panel component. See *Table xx* through *Table xx* and *Figure xx* through *Figure xx*.



DSCN0003

NOTE:
Locate the PANEL NUMBER sticker on the upper right hand corner of the power panel, see Figures 34-36, then refer to the appropriate parts list for that number.

FIGURE 32 - CONTROL PANEL COMPONENTS

POWER PANEL COMPONENTS

TABLE 57 - SINGLE POINT TERMINAL BLOCK STANDARD OR ULTRA QUIET FANS (PIN 52 = X OR L) (SX)

ITEM	DESCRIPTION	MODEL	VOLTAGE (PIN 11 & 12)	PART NUMBER	FIGURE
1	Fuse, 600V, Class CC, 30A	YLAA0058 - YLAA0175	ALL	025-39683-000**	33
1A	Fuse Holder, 3-Pole, 30A, Class CC	YLAA0058 - YLAA0175	ALL	025-45048-003	
2	YLAA/Tempo 115V Control Harness 4 Compressors / 4 Fan Contactors	YLAA0058 - YLAA0175	ALL	-	*
	Connector - Housing			025-20788-000	
	Connector, Plug			025-20918-000	
	Split Pin Connector			025-22214-000	
	Socket Connector, Female			025-22215-000	
	Connector Contact			025-28386-000	
	Housing, Cap			025-32962-000	
3	Clip-On RC Circ.110-240V, D09-D38 & Cad Contactor Coil Supp Module	YLAA0058 - YLAA0175	ALL	031-02106-000	*
4	Contactors, 3-Pole, 12A, 600V	YLAA0058, YLAA0065,	17, 28	024-34300-000**	33
	Contactors, 3-Pole, 9A, 600V	YLAA0089, YLAA0092	40, 46, 58	024-34302-000**	
	Contactors, 3-Pole, 12A, 600V	YLAA0070, YLAA0080,	17, 28, 40	024-34300-000**	
	Contactors, 3-Pole, 9A, 600V	YLAA0081	46, 58	024-34302-000**	
	Contactors, 3-Pole, 12A, 600V	YLAA0100, YLAA0101	17, 28	024-34300-000**	
	Contactors, 3-Pole, 18A, 600V		17, 28, 40	024-34304-000**	
	Contactors, 3-Pole, 9A, 600V	YLAA0115, YLAA0120,	46, 58	024-34302-000**	
	Contactors, 3-Pole, 18A, 600V		YLAA0125	17, 28	
	Contactors, 3-Pole, 12A, 600V	YLAA0136, YLAA0142	40, 46, 58	024-34300-000**	
	Contactors, 3-Pole, 18A, 600V		17, 28	024-34300-000**	
	Contactors, 3-Pole, 18A, 600V	YLAA0150, YLAA0155,	ALL	024-34304-000**	
	Contactors, 3-Pole, 18A, 600V	YLAA0156	17, 28, 40	024-34304-000**	
	Contactors, 3-Pole, 12A, 600V	YLAA0170, YLAA0175		46, 58	
	5	Contactors, 3-Pole, 80A, 600V	YLAA0058 - YLAA0081	17, 28	
Contactors, 3-Pole, 50A, 600V		40, 46, 58		024-37040-000**	
Contactors, 3-Pole, 65A, 600V		40		024-37041-000**	
Contactors, 3-Pole, 80A, 600V		YLAA0089, YLAA092	17, 28	024-34310-000**	
Contactors, 3-Pole, 50A, 600V			40, 46	024-37040-000**	
Contactors, 3-Pole, 40A, 600V			58	024-37039-000**	
Contactors, 3-Pole, 150A, 600V		YLAA0100, YLAA0101	17, 28	024-34294-000**	
Contactors, 3-Pole, 65A, 600V			40	024-37041-000**	
Contactors, 3-Pole, 115A, 600V 110V Coil			40	029-23472-000**	
Contactors, 3-Pole, 80A, 600V			17, 46, 58	024-34310-000**	
Contactors, 3-Pole, 150A, 600V			YLAA0115, YLAA0120,	17, 28, 40	024-34294-000**
Contactors, 3-Pole, 80A, 600V		YLAA0125	46, 58	024-34310-000**	

NOTE:

* Items are NOT represented.

** Make a visual inspection of the fuses and contactors in order to select the correct replacement part, refer to Table 65 on page 113.

**TABLE 57 - SINGLE POINT TERMINAL BLOCK STANDARD OR ULTRA QUIET FANS (PIN 52 = X OR L) (SX)
 (CONT'D)**

ITEM	DESCRIPTION	MODEL	VOLTAGE (PIN 11 & 12)	PART NUMBER	FIGURE	
5	Contactor, 3-Pole, 115A, 600V 110V Coil	YLAA0136, YLAA0142	17, 28, 40	029-23472-000**		
	Contactor, 3-Pole, 80A, 600V		46, 58	024-34310-000**		
	Contactor, 3-Pole, 150A, 600V	YLAA0150, YLAA0155, YLAA0156	17, 28	024-34294-000**		
	Contactor, 3-Pole, 115A, 600V 110V Coil		40	029-23472-000**		
	Contactor, 3-Pole, 80A, 600V		46, 58	024-34310-000**		
	Contactor, 3-Pole, 150A, 600V		17, 28	024-34294-000**		
	Contactor, 3-Pole, 115A, 600V 110V Coil	YLAA0170, YLAA0175	40	029-23472-000**		
	Contactor, 3-Pole, 80A, 600V		46, 58	024-34310-000**		
6	Cover, Distribution Block	YLAA0058, YLAA0065	17, 28	025-39397-000	33	
			40, 46, 58	025-40848-000		
		YLAA0070 - YLAA0101	17, 28	025-39397-000		
			40, 46, 58	025-38395-000		
		YLAA0115 - YLAA0142	17, 28, 40	025-39397-000		
			46, 58	025-38395-000		
		YLAA0150 - YLAA0175	40, 46	025-39397-000		
			58	025-38395-000		
7	Ground Lug, Copper	YLAA0058, YLAA0065	17, 28	025-34088-000	33	
			40, 46, 58	025-38395-000		
		YLAA0070 - YLAA0081, YLAA0100, YLAA0101, YLAA0136, YLAA0142	ALL	025-34088-000		
			YLAA0089, YLAA092	17, 28, 40		025-34455-000
		46, 58		025-34088-000		
		YLAA0115 - YLAA0125, YLAA0150 - YLAA0175	17, 28	025-34089-000		
			40, 46, 58	025-34088-000		
		8	Ground Lug, Copper	YLAA0058		17, 28
40, 46, 58	025-34455-000					
	025-29194-000					
YLAA0065	17, 28			025-34085-000		
	40, 58			025-34455-000		
	46			025-29194-000		
YLAA0070, YLAA0080, YLAA0081, YLAA0100, YLAA0101	ALL			025-34089-000		
	YLAA0089, YLAA0092			17, 28, 40	025-34085-000	
46, 58				025-34089-000		
YLAA0115 - YLAA0125	58			17, 28, 40, 46	025-34085-000	
				025-34089-000		

NOTE:

* Items are NOT represented.

** Make a visual inspection of the fuses and contactors in order to select the correct replacement part, refer to Table 65 on page 113.

**TABLE 57 - SINGLE POINT TERMINAL BLOCK STANDARD OR ULTRA QUIET FANS (PIN 52 = X OR L) (SX)
 (CONT'D)**

ITEM	DESCRIPTION	MODEL	VOLTAGE (PIN 11 & 12)	PART NUMBER	FIGURE
8	Ground Lug, Copper	YLAA0136, YLAA0142	17, 28, 40	025-34089-000	
			46	025-34086-000	
			58	025-34085-000	
		YLAA0150 - YLAA0175	17, 28, 46	025-34085-000	
			40, 58	025-34089-000	
8A	Ground Lug, Copper	YLAA0136, YLAA0142	17, 28	025-34086-000	33
9	Distribution Block	YLAA0058, YLAA0065	17, 28	025-32536-000	
			40, 46, 58	025-34089-000	
		YLAA0070 - YLAA0101	17, 28	025-32536-000	
			40, 46, 58	025-40848-000	
		YLAA0115 - YLAA0142	17, 28, 40	025-32536-000	
			46, 58	025-40848-000	
		YLAA0150 - YLAA0175	17, 28, 40, 46	025-32536-000	
			58	025-40848-000	
10	Surge Suppressor	YLAA0058 - YLAA0175	ALL	031-00808-000	33
11	Tempo Micro Assy	YLAA0058 - YLAA0175	ALL	-	*
	Fuse, 600V, Class CC, 10A			025-34430-000	
	Fuse Holder, 1-Pole, 30A, Class CC			025-45048-001	
	Pcb Connector, Female, 4-Position			025-35627-000	
	Terminal, Ground 22 - 10 Ga.			025-39407-000	
	Jumper, Plug-In (2-Position)			025-37678-000	
	PCB Connector, Female, 10-Position			025-29195-000	
	Connector - Housing			025-20788-000	
	Connector, Plug			025-20918-000	
	Split Pin Connector			025-22214-000	
	Socket Connector, Female			025-22215-000	
12	Harness - Micro Elv	YLAA0058 - YLAA0175	ALL	-	*
	Mini Mate-N-Lok			025-28385-000	
	Plug Housing			025-18955-000	
	Plug Housing			025-21137-000	
	Push-On Conn/Fem Straight			025-23735-000	
	Connector Contact			025-34058-000	
	4 Circuit Dual Row			025-28386-000	
		025-28959-000			
13	Assy IPU2 And I/O	YLAA0058 - YLAA0175	ALL	031-02550-001	*
14	Flash Card, Programmed	YLAA0058 - YLAA0175	ALL	031-02755-004	*
15	Carling Switch	YLAA0058 - YLAA0175	ALL	024-25517-000	*
16	Keypad, Non-Embossed, English	YLAA0058 - YLAA0175	ALL	024-36082-007	*
17	Display To IPU I/O Cable	YLAA0058 - YLAA0175	ALL	031-02108-000	*
18	2X20 Display	YLAA0058 - YLAA0175	ALL	031-02749-000	*

NOTE:

* Items are NOT represented.

** Make a visual inspection of the fuses and contactors in order to select the correct replacement part, refer to Table 65 on page 113.

**TABLE 57 - SINGLE POINT TERMINAL BLOCK STANDARD OR ULTRA QUIET FANS (PIN 52 = X OR L) (SX)
 (CONT'D)**

ITEM	DESCRIPTION	MODEL	VOLTAGE (PIN 11 & 12)	PART NUMBER	FIGURE
19	Relay, Control, 600V, 10A	YLAA0058 - YLAA0175	ALL	024-37045-000	33
21	Contactor-Relay Coil Suppressor	YLAA0058 - YLAA0175	ALL	031-02107-000	*
22	Terminal Strip, 10-Pole	YLAA0058 - YLAA0175	ALL	025-35641-000	33
	Terminal Strip, 12-Pole	YLAA0058 - YLAA0175	ALL	025-39812-000	

NOTE:

* Items are NOT represented.

** Make a visual inspection of the fuses and contactors in order to select the correct replacement part, refer to Table 65 on page 113.

TABLE 58 - SINGLE POINT TERMINAL BLOCK HIGH AIR FLOW FANS (PIN 52 = G) (SX)

ITEM	DESCRIPTION	MODEL	VOLTAGE (PIN 11 & 12)	PART NUMBER	FIGURE
1	Fuse, 600V, Class CC, 20A	YLAA0058 - YLAA0081	40, 46	025-34142-000*	33
	Fuse, 600V, Class CC, 12A	YLAA0100, YLAA0115, YLAA0120, YLAA0142, YLAA0170, YLAA0175	40	025-38396-000* 025-34140-000*	
	Fuse, 600V, Class CC, 10A	YLAA0100, YLAA0146, YLAA0170, YLAA0175	46	025-37618-000* 025-34139-000*	
	Fuse, 600V, Class CC, 12A	YLAA0115, YLAA0120	40, 46	025-38396-000* 025-34140-000*	
	Fuse, 600V, Class CC, 20A	YLAA0115, YLAA0120	46	025-34142-000*	
	Fuse, 600V, Class CC, 15A	YLAA0125, YLAA0156	46	025-34141-000*	
	Fuse, 600V, Class CC, 20A	YLAA0136	46	025-34142-000*	
	Fuse, 600V, Class CC, 15A	YLAA0100, YLAA0142, YLAA0170, YLAA0175	46	025-34141-000*	
1A	Fuse Holder, 3-Pole, 30A, Class CC	YLAA0100 - YLAA0175	40, 46	025-45048-003*	
2	115V Control Harness	YLAA0058 - YLAA0175		-	*
	Connector - Housing			025-20788-000	
	Connector, Plug			025-20918-000	
	Split Pin Connector			025-22214-000	
	Socket Connector, Female			025-22215-000	
	Connector Contact			025-28386-000	
	Housing, Cap			025-32962-000	
3	Clip-On RC Circ.110-240V, D09-D38 & Cad	YLAA0058 - YLAA0175	40, 46	031-02106-000	*
4	Contactora, 3-Pole, 12A, 600V	YLAA0058 - YLAA0101	40, 46	024-34300-000*	33
	Contactora, 3-Pole, 12A, 600V	YLAA0115 - YLAA0175	46	024-34300-000*	
	Contactora, 3-Pole, 12A, 600V	YLAA0136, YLAA0142	40	024-34300-000*	
5	Contactora, 3-Pole, 80A, 600V	YLAA0058 - YLAA0081	17, 28	024-34310-000*	33
	Contactora, 3-Pole, 50A, 600V	YLAA0058 - YLAA0070	40, 46	024-37040-000*	
	Contactora, 3-Pole, 65A, 600V	YLAA0080, YLAA0081, YLAA0136, YLAA0142	40	024-37041-000*	
	Contactora, 3-Pole, 50A, 600V	YLAA0080, YLAA0081,	40, 46	024-37040-000*	
	Contactora, 3-Pole, 115A, 600V 110V Coil	YLAA0100, YLAA0101	40	029-23472-000* 024-37042-000*	
	Contactora, 3-Pole, 80A, 600V	YLAA0100, YLAA0101, YLAA0115 - YLAA0175	46	024-34310-000*	
	Contactora, 3-Pole, 50A, 600V	YLAA0100, YLAA0101, YLAA0136, YLAA0142	46, 58	024-37040-000*	
	Contactora, 3-Pole, 115A, 600V 110V Coil	YLAA0115 - YLAA0175	40	029-23472-000*	
6	Cover, Distribution Block	YLAA0058 - YLAA0101	40, 46	025-38395-000	33
		YLAA0115 - YLAA0136	40	025-39397-000	
		YLAA0115 - YLAA0136	46	025-38395-000	
		YLAA0142 - YLAA0175	40, 46	025-39397-000	

NOTE:

* Items are NOT represented.

** Make a visual inspection of the fuses and contactors in order to select the correct replacement part, refer to Table 65 on page 113.

TABLE 58 - SINGLE POINT TERMINAL BLOCK HIGH AIR FLOW FANS (PIN 52 = G) (SX) (CONT'D)

ITEM	DESCRIPTION	MODEL	VOLTAGE (PIN 11 & 12)	PART NUMBER	FIGURE
7	Ground Lug, Copper	YLAA0058, YLAA0080, YLAA0081	40	025-34455-000 025-29194-000	33
		YLAA0058, YLAA0080, YLAA0081, YLAA0100	46	025-34088-000	
		YLAA0065	40, 46	025-34455-000 025-29194-000	
		YLAA0070, YLAA0100	40	025-34088-000	
		YLAA0070	46	025-34455-000 025-29194-000	
		YLAA0101, YLAA0115 - YLAA0125, YLAA0150 - YLAA0175	40, 46	025-34088-000	
		YLAA0136, YLAA142	40, 46	025-34455-000 025-29194-000	
7A	Ground Lug, Copper	YLAA0136, YLAA0142	40, 46	025-34088-000	33
8	Ground Lug, Copper	YLAA0058, YLAA0150 - YLAA156	40, 46	025-34085-000	33
		YLAA0065	40, 46	025-34089-000	
		YLAA0070, YLAA0080, YLAA0081	40 46	025-34085-000 025-34089-000	
		YLAA0100, YLAA0101, YLAA0136, YLAA0170, YLAA0175	40 46	025-34086-000 025-34085-000	
		YLAA0115 - YLAA0125	40 46	025-34089-000 025-34085-000	
		YLAA0142	40, 46	025-34086-000	
		9	Distribution Block, 3P, AI-380A, UL/CSA/ CE	YLAA0058 - YLAA0101	
Distribution Block, 3P, AI-760A, UL/CSA	YLAA0115, YLAA0120, YLAA0125, YLAA136		40	025-32536-000	
Distribution Block, 3P, AI-380A, UL/CSA/ CE			46	025-40848-000	
Distribution Block, 3P, AI-760A, UL/CSA	YLAA0142 - YLAA0175		40, 46	025-32536-000	
10	Surge Suppressor	YLAA0100 - YLAA0175	40, 46	031-00808-000	33

NOTE:

* Items are NOT represented.

** Make a visual inspection of the fuses and contactors in order to select the correct replacement part, refer to Table 65 on page 113.

TABLE 58 - SINGLE POINT TERMINAL BLOCK HIGH AIR FLOW FANS (PIN 52 = G) (SX) (CONT'D)

ITEM	DESCRIPTION	MODEL	VOLTAGE (PIN 11 & 12)	PART NUMBER	FIGURE
11	Micro Assy	YLAA0058 - YLAA0175	40, 46	-	*
	Fuse, 600V, Class CC, 10A			025-34430-000 025-35905-000	
	Fuse Holder, 1-Pole, 30A, Class CC			025-45048-001	
	PCB Connector, Female, 4-Position			025-35627-000	
	Terminal, Ground 22 - 10 Ga.			025-39407-000	
	Jumper, Plug-In (2-Position)			025-37678-000	
	PCB Connector, Female, 10-Position			025-29195-000	
	Connector - Housing			025-20788-000	
	Connector, Plug			025-20918-000	
	Split Pin Connector			025-22214-000	
	Socket Connector, Female			025-22215-000	
	12			Harness - Micro ELV	
Mini Mate-N-Lok		025-28385-000			
Plug Housing		025-18955-000			
Plug Housing		025-21137-000			
Push-On Conn/Fem Straight		025-23735-000 025-34058-000			
Connector Contact		025-28386-000			
4 Circuit Dual Row		025-28959-000			
13	Assy IPU2 And I/O	YLAA0058 - YLAA0175	40, 46	031-02550-001	*
14	Flash Card, Programmed	YLAA0058 - YLAA0175	40, 46	031-02755-004	*
15	Carling Switch	YLAA0058 - YLAA0175	40, 46	024-25517-000	*
16	Keypad, Non-Embossed, English	YLAA0058 - YLAA0175	40, 46	024-36082-007	*
17	Display To IPU I/O Cable	YLAA0058 - YLAA0175	40, 46	031-02108-000	*
18	2X20 Display	YLAA0058 - YLAA0175	40, 46	031-02749-000	*
19	Relay, Control, 600V, 10A	YLAA0058 - YLAA0175	40, 46	024-37045-000	33
21	Contact-Relay Coil Suppressor	YLAA0058 - YLAA0175	40, 46	031-02107-000	*
22	Terminal Strip, 10-Pole	YLAA0058 - YLAA0175	ALL	025-35641-000	33
	Terminal Strip, 12-Pole	YLAA0058 - YLAA0175	ALL	025-39812-000	

NOTE:

* Items are NOT represented.

** Make a visual inspection of the fuses and contactors in order to select the correct replacement part, refer to Table 65 on page 113.

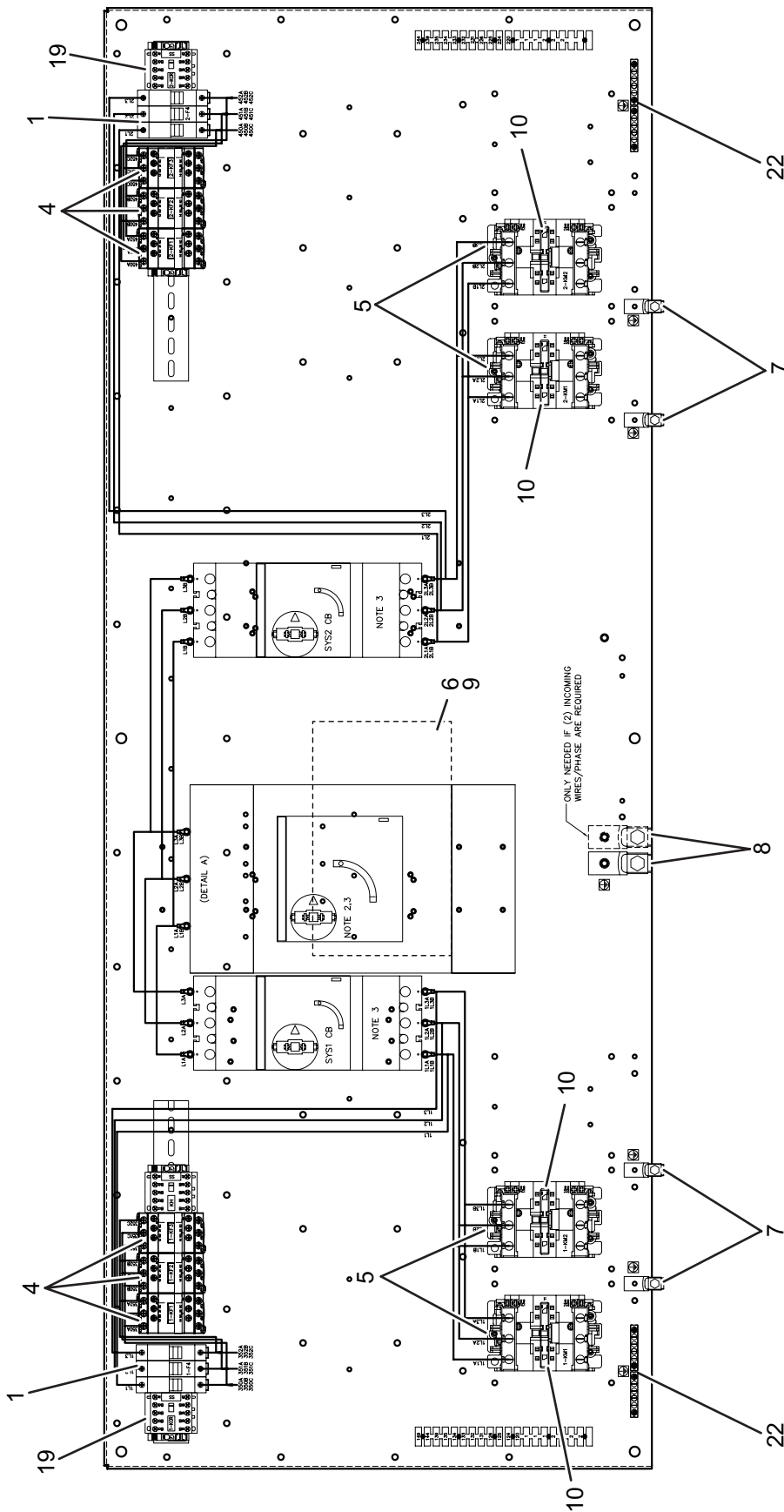


FIGURE 33 - SINGLE POINT TERMINAL BLOCK

TABLE 59 - SINGLE POINT TERMINAL BLOCK STANDARD OR ULTRA QUIET FANS (PIN 52 = X OR L) (SD)

ITEM	DESCRIPTION	MODEL	VOLTAGE (PIN 11 & 12)	SAP NUMBER	FIGURE
1	Fuse, 600V, Class CC, 30A	YLAA0058 - YLAA0175	ALL	025-39683-000*	34
1A	Fuse Holder, 3-Pole, 30A, Class CC	YLAA0058 - YLAA0175	ALL	025-45048-003	
2	115V Control Harness	YLAA0058 - YLAA0175	ALL	-	*
	Connector - Housing			025-20788-000	
	Connector, Plug			025-20918-000	
	Split Pin Connector			025-22214-000	
	Socket Connector, Female			025-22215-000	
	Connector Contact			025-28386-000	
	Housing, Cap			025-32962-000	
3	Clip-On RC Circ.110-240V, D09-D38 & CAD	YLAA0058 - YLAA0175	ALL	031-02106-000	*
4	Contact, 3-Pole, 12A, 600V	YLAA0058, YLAA0065,	17, 28	024-34300-000*	34
	Contact, 3-Pole, 9A, 600V	YLAA0092	40, 46, 58	024-34302-000*	
	Contact, 3-Pole, 12A, 600V	YLAA0070, YLAA0080,	17, 28, 40	024-34300-000*	
	Contact, 3-Pole, 9A, 600V	YLAA0081, YLAA0089	46, 58	024-34302-000*	
	Contact, 3-Pole, 18A, 600V	YLAA0100, YLAA0101	17, 28, 40	024-34304-000*	
	Contact, 3-Pole, 12A, 600V	YLAA0100 - YLAA0125	17, 28	024-34300-000*	
	Contact, 3-Pole, 9A, 600V		46, 58	024-34302-000*	
	Contact, 3-Pole, 18A, 600V	YLAA0115 - YLAA0125	17, 28	024-34304-000*	
	Contact, 3-Pole, 12A, 600V		40	024-34300-000*	
	Contact, 3-Pole, 12A, 600V	YLAA0136, YLAA0142	17, 28	024-34300-000*	
	Contact, 3-Pole, 18A, 600V		40	024-34304-000*	
	Contact, 3-Pole, 12A, 600V		46, 58	024-34300-000*	
	Contact, 3-Pole, 12A, 600V	YLAA0150 - YLAA0175	17, 28	024-34300-000*	
	Contact, 3-Pole, 18A, 600V		46, 58	024-34304-000*	
5	Contact, 3-Pole, 80A, 600V	YLAA0058 - YLAA0081	17, 28	024-34310-000*	34
	Contact, 3-Pole, 50A, 600V		40, 46, 58	024-37040-000*	
	Contact, 3-Pole, 80A, 600V	YLAA0089, YLAA0092	17, 28	024-34310-000*	
	Contact, 3-Pole, 50A, 600V		40, 46	024-37040-000*	
	Contact, 3-Pole, 40A, 600V		58	024-37039-000*	
	Contact, 3-Pole, 80A, 600V	YLAA0100, YLAA0101	17, 28	024-34310-000*	
	Contact, 3-Pole, 65A, 600V		40	024-37041-000*	
	Contact, 3-Pole, 80A, 600V		46, 58	024-34310-000*	
	Contact, 3-Pole, 150A, 600V	YLAA0100, YLAA0101	17, 28	024-34294-000*	
	Contact, 3-Pole, 50A, 600V		46, 58	024-37040-000*	
	Contact, 3-Pole, 115A, 600V 110V Coil	YLAA0100 - YLAA0125	40	029-23472-000* 024-37042-000*	
	Contact, 3-Pole, 150A, 600V	YLAA0115 - YLAA0125	17, 28	024-34294-000*	
	Contact, 3-Pole, 80A, 600V		46, 58	024-34310-000*	
	Contact, 3-Pole, 150A, 600V	YLAA0136, YLAA0142	17, 28	024-34294-000*	
	Contact, 3-Pole, 65A, 600V		40	024-37041-000*	
	Contact, 3-Pole, 80A, 600V		46, 58	024-34310-000*	
Contact, 32A, 110Vac Coil	YLAA0150 - YLAA0156	17, 28	024-34306-000*		

NOTE:

* Items are NOT represented.

** Make a visual inspection of the fuses and contactors in order to select the correct replacement part, refer to Table 65 on page 113.

**TABLE 59 - SINGLE POINT TERMINAL BLOCK STANDARD OR ULTRA QUIET FANS (PIN 52 = X OR L) (SD)
(CONT'D)**

ITEM	DESCRIPTION	MODEL	VOLTAGE (PIN 11 & 12)	SAP NUMBER	FIGURE
5	Contactora, 3-Pole, 150A, 600V	YLAA0150 - YLAA0175	17, 28	024-34294-000*	34
	Contactora, 3-Pole, 115A, 600V 110V Coil		40	029-23472-000* 024-37042-000*	
	Contactora, 3-Pole, 80A, 600V		46, 58	024-34310-000*	
6	Molded Case Switch, T6	YLAA0058	17, 28	024-37499-000	34
	Molded Case Switch, T4		40, 46, 58	024-35975-000 024-37497-000	
	Molded Case Switch, T6	YLAA0065, YLAA0070, YLAA0080, YLAA0081	17, 28	024-37499-000	
	Molded Case Switch, T5		40	024-37498-000	
	Molded Case Switch, T4, 250A		46, 58	024-35975-000 024-37497-000	
	Molded Case Switch, T6	YLAA0089 - YLAA0101	17, 28	024-37499-000	
	Molded Case Switch, T5		40, 46	024-37498-000	
	Molded Case Switch, T4, 250A		58	024-35975-000 024-37497-000	
	Molded Case Switch, T6	YLAA0115 - YLAA0142	17, 28, 40	024-37499-000	
	Molded Case Switch, T5		46, 58	024-37498-000	
	Molded Case Switch, T6	YLAA0150 - YLAA0156	17, 28, 40, 46	024-37499-000	
	Molded Case Switch, T5		58	024-37498-000	
	Molded Case Switch, T7	YLAA0170, YLAA0175	17, 28	024-37005-000 024-37500-000	
	Molded Case Switch, T6		40, 46	024-37499-000	
	Molded Case Switch, T5		58	024-37498-000	
7	Ground Lug, Copper	YLAA0058, YLAA0092	17, 28	025-34088-000	34
			40, 46, 58	025-34455-000 025-29194-000	
		YLAA0065	17, 28, 46	025-34088-000	
			40, 58	025-34455-000 025-29194-000	
		YLAA0070	17, 28, 46, 58	025-34088-000	
			40	025-34455-000 025-29194-000	
		YLAA0080, YLAA0081, YLAA0100, YLAA0101, YLAA136, YLAA0142	ALL	025-34088-000	
		YLAA0089	17, 28, 40, 58	025-34455-000 025-29194-000	
			46	025-34088-000	
		YLAA0115, YLAA0120, YLAA0125, YLAA0150 - YLAA0175	17, 28	025-34089-000	
40, 46, 58	025-34088-000				

NOTE:

* Items are NOT represented.

** Make a visual inspection of the fuses and contactors in order to select the correct replacement part, refer to Table 65 on page 113.

**TABLE 59 - SINGLE POINT TERMINAL BLOCK STANDARD OR ULTRA QUIET FANS (PIN 52 = X OR L) (SD)
(CONT'D)**

ITEM	DESCRIPTION	MODEL	VOLTAGE (PIN 11 & 12)	SAP NUMBER	FIGURE
7A	Grndlug Cu-6-1/0	YLAA0100, YLAA0101, YLAA0136, YLAA0142	17, 28	025-34089-000	34
8	4-3/0 Awg Gnd Lug	YLAA0058, YLAA0065, YLAA0100, YLAA0101, YLAA0170, YLAA0175	17, 28	025-34085-000	34
		YLAA0070	40, 46, 58	025-34089-000	
		YLAA0080, YLAA0081	ALL	025-34089-000	
		YLAA0089	17	025-34085-000	
			28, 40, 46, 58	025-34089-000	
			17, 28, 40	025-34085-000	
		YLAA0092	46	025-34089-000	
			58	025-34088-000	
		YLAA0115, YLAA0120, YLAA0125	17, 28, 40, 46	025-34085-000	
			58	025-34089-000	
		YLAA0136, YLAA0142	17, 28	025-34086-000	
			40	025-34089-000	
			46	025-34086-000	
			58	025-34085-000	
YLAA0150 - YLAA0156	17, 28, 46	025-34085-000			
	40, 58	025-34089-000			
9	Surge Suppressor	YLAA0058 - YLAA0175	ALL	031-00808-000	34
10	Tempo Micro Assy	YLAA0058 - YLAA0175	ALL	-	*
	Fuse, 600V, Class CC, 10A			025-34430-000/ 025-35905-000	
	Fuse Holder, 1-Pole, 30A, Class CC			025-45048-001	
	PCB Connector, Female, 4-Position			025-35627-000	
	Terminal, Ground 22 - 10 Ga.			025-39407-000	
	Jumper, Plug-In (2-Position)			025-37678-000	
	PCB Connector, Female, 10-Position			025-29195-000	
	Connector - Housing			025-20788-000	
	Connector, Plug			025-20918-000	
	Split Pin Connector			025-22214-000	
	Socket Connector, Female			025-22215-000	
11	Harness - Micro Elv	YLAA0058 - YLAA0175	ALL	-	*
	Mini Mate-N-Lok			025-28385-000	
	Plug Housing			025-18955-000	
	Plug Housing			025-21137-000	
	Push-On Conn/Fem Straight			025-23735-000/ 025-34058-000	
	Connector Contact			025-28386-000	
	4 Circuit Dual Row	025-28959-000			

NOTE:

* Items are NOT represented.

** Make a visual inspection of the fuses and contactors in order to select the correct replacement part, refer to Table 65 on page 113.

**TABLE 59 - SINGLE POINT TERMINAL BLOCK STANDARD OR ULTRA QUIET FANS (PIN 52 = X OR L) (SD)
 (CONT'D)**

ITEM	DESCRIPTION	MODEL	VOLTAGE (PIN 11 & 12)	SAP NUMBER	FIGURE
12	Assy IPU2 And I/O	YLAA0058 - YLAA0175	ALL	031-02550-001	*
13	Flash Card, Programmed	YLAA0058 - YLAA0175	ALL	031-02755-004	*
14	Carling Switch	YLAA0058 - YLAA0175	ALL	024-25517-000	*
15	Keypad, Non-Embossed, English	YLAA0058 - YLAA0175	ALL	024-36082-007	*
16	Display To Ipu I/O Cable	YLAA0058 - YLAA0175	ALL	031-02108-000	*
17	2X20 Display	YLAA0058 - YLAA0175	ALL	031-02749-000	*
18	Relay, Control, 600V, 10A	YLAA0058 - YLAA0175	ALL	024-37045-000	34
20	Contacto-Relay Coil Suppressor	YLAA0058 - YLAA0175	ALL	031-02107-000	*
22	Terminal Strip, 10-Pole	YLAA0058 - YLAA0175	ALL	025-35641-000	34
	Terminal Strip, 12-Pole	YLAA0058 - YLAA0175	ALL	025-39812-000	

NOTE:

* Items are NOT represented.

** Make a visual inspection of the fuses and contactors in order to select the correct replacement part, refer to Table 65 on page 113.

TABLE 60 - SINGLE POINT TERMINAL BLOCK HIGH AIR FLOW FANS (PIN 52 = G) (SD)

ITEM	DESCRIPTION	MODEL	VOLTAGE (PIN 11 & 12)	PART NUMBER	FIGURE
1	Fuse, 600V, Class CC, 20A	YLAA0058 - YLAA0081, YLAA0136, YLAA0150, YLAA0155	40, 46	025-34142-000*	34
	Fuse, 600V, Class CC, 12A	YLAA0058 - YLAA0175	46	025-38396-000* 025-34140-000*	
	Fuse, 600V, Class CC, 12A	YLAA0092	40, 46	025-38396-000* 025-34140-000*	
	Fuse, 600V, Class CC, 20A	YLAA0101	46	025-34142-000*	
	Fuse, 600V, Class CC, 12A	YLAA0115, YLAA0120	40	025-38396-000* 025-34140-000*	
	Fuse, 600V, Class CC, 20A		46	025-34142-000*	
	Fuse, 600V, Class CC, 17-1/2A	YLAA0125	40	025-34142-000*	
	Fuse, 600V, Class CC, 15A		46	025-34141-000*	
	Fuse, 600V, Class CC, 12A	YLAA0142	40	025-38396-000* 025-34140-000*	
	Fuse, 600V, Class CC, 15A		46	025-34141-000*	
	Fuse, 600V, Class CC, 10A	YLAA0142	46	025-37618-000* 025-34139-000*	
	Fuse, 600V, Class CC, 15A	YLAA0156	46	025-34141-000*	
	Fuse, 600V, Class CC, 10A	YLAA0170, YLAA0175	46	025-37618-000*	
1A	Fuse Holder, 3-Pole, 30A, Class CC	YLAA0058 - YLAA0175	40, 46	025-45048-003	
2	Haff 115V Control Harness	YLAA0058 - YLAA0175	40, 46	-	*
	Connector - Housing			025-20788-000	
	Connector, Plug			025-20918-000	
	Split Pin Connector			025-22214-000	
	Socket Connector, Female			025-22215-000	
	Connector Contact			025-28386-000	
	Housing, Cap			025-32962-000	
3	Clip-On RC Circ.110-240V, D09-D38 & Cad	YLAA0058 - YLAA0175	40, 46	031-02106-000	*
4	Contact, 3-Pole, 12A, 600V	YLAA0058 - YLAA0081	40, 46	024-34300-000*	34
	Contact, 3-Pole, 12A, 600V	YLAA0092 - YLAA0155	40	024-34300-000*	
	Contact, 3-Pole, 12A, 600V	YLAA0092, YLAA0101, YLAA0136, YLAA0142	40	024-34300-000*	
	Contact, 3-Pole, 12A, 600V	YLAA0115, YLAA0120, YLAA0125, YLAA0150, YLAA0156	40	024-34300-000*	

NOTE:

* Items are NOT represented.

** Make a visual inspection of the fuses and contactors in order to select the correct replacement part, refer to Table 65 on page 113.

TABLE 60 - SINGLE POINT TERMINAL BLOCK HIGH AIR FLOW FANS (PIN 52 = G) (SD) (CONT'D)

ITEM	DESCRIPTION	MODEL	VOLTAGE (PIN 11 & 12)	PART NUMBER	FIGURE
5	Contactora, 3-Pole, 50A, 600V	YLAA0058, YLAA0065	40, 46	024-37040-000*	34
	Contactora, 3-Pole, 50A, 600V	YLAA0070	46	024-37040-000*	
	Contactora, 3-Pole, 65A, 600V	YLAA0080, YLAA0081	40, 46	024-37041-000*	
	Contactora, 3-Pole, 65A, 600V	YLAA0092, YLAA0101	40	024-37041-000*	
	Contactora, 3-Pole, 80A, 600V		46	024-34310-000*	
	Contactora, 3-Pole, 80A, 600V	YLAA0115, YLAA0120, YLAA0125, YLAA0150, YLAA0156	46	024-34310-000*	
	Contactora, 3-Pole, 65A, 600V	YLAA0136, YLAA0142	40	024-37041-000*	
	Contactora, 3-Pole, 80A, 600V		46	024-34310-000*	
	Contactora, 3-Pole, 80A, 600V	YLAA0156 - YLAA0175	46	024-34310-000*	
6	Molded Case Switch, T4, 250A	YLAA0058	40, 46	024-35975-000 024-37497-000	34
	Molded Case Switch, T5	YLAA0065	40	024-37498-000	
	Molded Case Switch, T4, 250A		46	024-35975-000 024-37497-000	
	Molded Case Switch, T4, 250A	YLAA0070, YLAA0080, YLAA0081	46	024-35975-000 024-37497-000	
	Molded Case Switch, T5	YLAA0080, YLAA0081	40	024-37498-000	
	Molded Case Switch, T5	YLAA0092 - YLAA120	40, 46	024-37498-000	
	Molded Case Switch, T6	YLAA0125, YLAA0136, YLAA0142	40	024-37499-000	
	Molded Case Switch, T5		46	024-37498-000	
	Molded Case Switch, T6	YLAA0150, YLAA0155	40, 46	024-37499-000	
	Molded Case Switch, T6	YLAA0156 - YLAA0175	46	024-37499-000	
7	Ground Lug, Copper	YLAA0058, YLAA0080, YLAA0081	40	025-34455-000 025-29194-000	34
			46	025-34088-000	
		YLAA0065	40, 46	025-34455-000 025-29194-000	
		YLAA0070, YLAA0136, YLAA0142, YLAA0150, YLAA0155	46	025-34455-000 025-29194-000	
		YLAA0092, YLAA0101, YLAA0115 - YLAA0125	40, 46	025-34088-000	
		YLAA0150, YLAA0155	40	025-34088-000	
YLAA0156 - YLAA0175	46	025-34088-000			

NOTE:

* Items are NOT represented.

** Make a visual inspection of the fuses and contactors in order to select the correct replacement part, refer to Table 65 on page 113.

TABLE 60 - SINGLE POINT TERMINAL BLOCK HIGH AIR FLOW FANS (PIN 52 = G) (SD) (CONT'D)

ITEM	DESCRIPTION	MODEL	VOLTAGE (PIN 11 & 12)	PART NUMBER	FIGURE
8	4-3/0 Awg Gnd Lug	YLAA0058, YLAA0092, YLAA0101, YLAA0125, YLAA0150, YLAA0155	40, 46	025-34085-000	34
		YLAA0065	40, 46	025-34089-000	
		YLAA0070, YLAA0080, YLAA0081, YLAA136	46	025-34089-000	
		YLAA0080, YLAA0081	40	025-34085-000	
		YLAA0115, YLAA0120	40	025-34089-000	
			46	025-34085-000	
		YLAA0136	40	025-34086-000	
		YLAA0142	40, 46	025-34086-000	
YLAA0156 - YLAA0175	46	025-34085-000			
9	Surge Suppressor	YLAA0092 - YLAA0175	40, 46	031-00808-000	34
10	Micro Assy	YLAA0058 - YLAA0175	40, 46	-	*
	Fuse, 600V, Class CC, 10A			025-34430-000	
				025-35905-000	
	Fuse Holder, 1-Pole, 30A, Class CC			025-45048-001	
	PCB Connector, Female, 4-Position			025-35627-000	
	Terminal, Ground 22 - 10 Ga.			025-39407-000	
	Jumper, Plug-In (2-Position)			025-37678-000	
	PCB Connector, Female, 10-Position			025-29195-000	
	Connector - Housing			025-20788-000	
	Connector, Plug			025-20918-000	
	Split Pin Connector			025-22214-000	
	Socket Connector, Female	025-22215-000			
11	Harness - Micro ELV	YLAA0058 - YLAA0175	40, 46	-	*
	Mini Mate-N-Lok			025-28385-000	
	Plug Housing			025-18955-000	
	Plug Housing			025-21137-000	
	Push-On Conn/Fem Straight			025-23735-000	
				025-34058-000	
	Connector Contact			025-28386-000	
	4 Circuit Dual Row	025-28959-000			
12	Assy IPU2 And I/O	YLAA0058 - YLAA0175	40, 46	031-02550-001	*
13	Flash Card, Programmed	YLAA0058 - YLAA0175	40, 46	031-02755-004	*
14	Carling Switch	YLAA0058 - YLAA0175	40, 46	024-25517-000	*
15	Keypad, Non-Embossed, English	YLAA0058 - YLAA0175	40, 46	024-36082-007	*
16	Display To IPU I/O Cable	YLAA0058 - YLAA0175	40, 46	031-02108-000	*
17	2X20 Display	YLAA0058 - YLAA0175	40, 46	031-02749-000	*
18	Relay, Control, 600V, 10A	YLAA0058 - YLAA0175	40, 46	024-37045-000	34
20	Contact-Relay Coil Suppressor	YLAA0058 - YLAA0175	40, 46	031-02107-000	*
22	Terminal Strip, 10-Pole	YLAA0058 - YLAA0175	ALL	025-35641-000	34
	Terminal Strip, 10-Pole	YLAA0058 - YLAA0175	ALL	025-39812-000	

NOTE:

* Items are NOT represented.

** Make a visual inspection of the fuses and contactors in order to select the correct replacement part, refer to Table 65 on page 113.

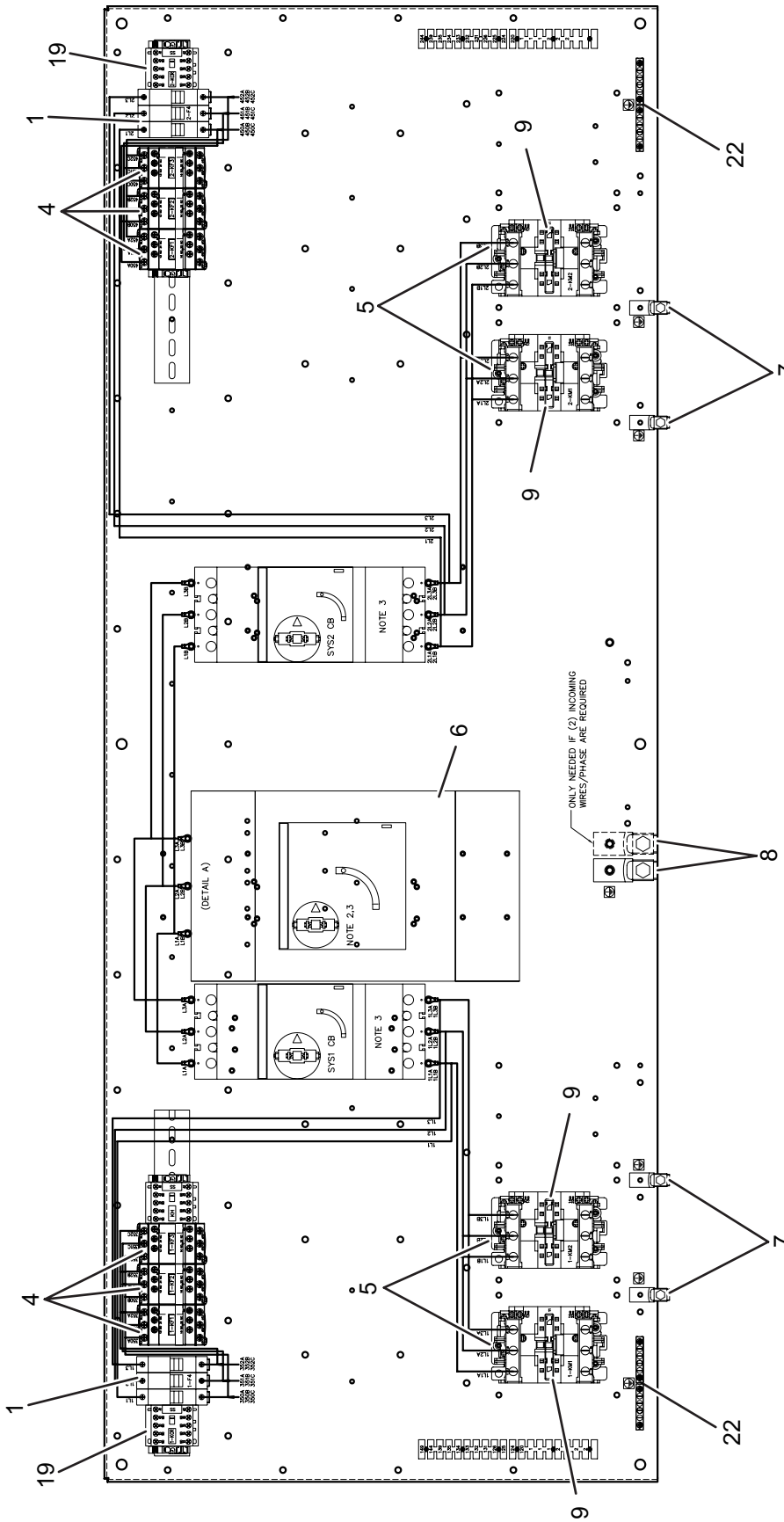


FIGURE 34 - SINGLE POINT TERMINAL BLOCK

LD18199

TABLE 61 - SINGLE POINT TERMINAL BLOCK STANDARD OR ULTRA QUIET FANS (PIN 52 = X OR L) (BX)

ITEM	DESCRIPTION	MODEL	VOLTAGE (PIN 11 & 12)	PART NUMBER	FIGURE
1	Fuse, 600V, Class CC, 30A	YLAA0058 - YLAA0175	ALL	025-39683-000*	35
1A	Fuse Holder, 3-Pole, 30A, Class CC	YLAA0058 - YLAA0175	ALL	025-45048-003	
2	115V Control Harness	YLAA0058 - YLAA0175	ALL	-	*
	Connector - Housing			025-20788-000	
	Connector, Plug			025-20918-000	
	Split Pin Connector			025-22214-000	
	Socket Connector, Female			025-22215-000	
	Connector Contact			025-28386-000	
	Housing, Cap			025-32962-000	
3	Clip-On RC Circ.110-240V, D09-D38 & Cad	YLAA0058 - YLAA0175	ALL	031-02106-000	*
4	Contact, 3-Pole, 12A, 600V	YLAA0058, YLAA0065, YLAA0092	17, 28	024-34300-000*	35
	Contact, 3-Pole, 9A, 600V		40, 46, 58	024-34302-000*	
	Contact, 3-Pole, 12A, 600V	YLAA0070, YLAA0080, YLAA0081, YLAA0089	17, 28, 40	024-34300-000*	
	Contact, 3-Pole, 9A, 600V		46, 58	024-34302-000*	
	Contact, 3-Pole, 18A, 600V	YLAA0100, YLAA0101	17, 28, 40	024-34304-000*	
	Contact, 3-Pole, 12A, 600V		46, 58	024-34300-000*	
	Contact, 3-Pole, 12A, 600V	YLAA0115 - YLAA0125	17, 28, 40	024-34300-000*	
	Contact, 3-Pole, 9A, 600V		46, 58	024-34302-000*	
	Contact, 3-Pole, 12A, 600V	YLAA0136, YLAA0142	17, 28, 40	024-34300-000*	
	Contact, 3-Pole, 12A, 600V		46, 58	024-34300-000*	
	Contact, 3-Pole, 18A, 600V	YLAA0115, YLAA0120, YLAA0125	17, 28	024-34304-000*	
	Contact, 3-Pole, 18A, 600V	YLAA0136, YLAA0142	17, 28	024-34304-000*	
	Contact, 3-Pole, 18A, 600V		40	024-34304-000*	
	Contact, 3-Pole, 18A, 600V	YLAA0150, YLAA0155	46, 58	024-34304-000*	
	Contact, 3-Pole, 18A, 600V	YLAA0150 - YLAA0175	17, 28	024-34304-000*	
	Contact, 3-Pole, 12A, 600V		40	024-34300-000*	
5	Contact, 3-Pole, 80A, 600V	YLAA0058, YLAA0065, YLAA0070	17, 28	024-34310-000*	35
	Contact, 3-Pole, 50A, 600V		40, 46, 58	024-37040-000*	
	Contact, 3-Pole, 80A, 600V		17, 28	024-34310-000*	
	Contact, 3-Pole, 65A, 600V	YLAA0080, YLAA0081	40	024-37041-000*	
	Contact, 3-Pole, 50A, 600V		46, 58	024-37040-000*	
	Contact, 3-Pole, 80A, 600V		17, 28	024-34310-000*	
	Contact, 3-Pole, 50A, 600V	YLAA0089, YLAA0092	40, 46	024-37040-000*	
	Contact, 3-Pole, 40A, 600V		58	024-37039-000*	
	Contact, 3-Pole, 150A, 600V		17, 28	024-34294-000*	
	Contact, 3-Pole, 50A, 600V	YLAA0100, YLAA0101	40	024-37040-000*	
	Contact, 3-Pole, 80A, 600V		46, 58	024-34310-000*	
	Contact, 3-Pole, 150A, 600V	YLAA0115, YLAA0120	17, 28	024-34294-000*	
Contact, 3-Pole, 50A, 600V		58	024-37040-000*		

NOTE:

* Items are NOT represented.

** Make a visual inspection of the fuses and contactors in order to select the correct replacement part, refer to Table 65 on page 113.

**TABLE 61 - SINGLE POINT TERMINAL BLOCK STANDARD OR ULTRA QUIET FANS (PIN 52 = X OR L) (BX)
 (CONT'D)**

ITEM	DESCRIPTION	MODEL	VOLTAGE (PIN 11 & 12)	PART NUMBER	FIGURE
5	Contactator, 3-Pole, 115A, 600V 110V Coil	YLAA0115 - YLAA0125	40	029-23472-000* 024-37042-000*	35
	Contactator, 3-Pole, 150A, 600V	YLAA0136, YLAA0142	17, 28	024-34294-000*	
	Contactator, 3-Pole, 65A, 600V		40	024-37041-000*	
	Contactator, 3-Pole, 80A, 600V		46, 58	024-34310-000*	
	Contactator, 3-Pole, 150A, 600V		17, 28	024-34294-000*	
	Contactator, 3-Pole, 50A, 600V	YLAA0150, YLAA0155	46, 58	024-37040-000*	
	Contactator, 3-Pole, 150A, 600V	YLAA0170, YLAA0175	17, 28	024-34294-000*	
	Contactator, 3-Pole, 115A, 600V 110V Coil	YLAA0150 - YLAA0175	40	029-23472-000* 024-37042-000*	
	Contactator, 3-Pole, 80A, 600V	YLAA0150 - YLAA0175	46, 58	024-34310-000*	
6	Circuit Breaker, 600V, 400A	YLAA0058, YLAA0065	17, 28	024-37079-000	35
	Circuit Breaker, 600V, 250A		40, 46, 58	024-35974-000	
	Circuit Breaker, 600V, 400A	YLAA0070	17, 28	024-37079-000	
	Circuit Breaker, 600V, 250A		40, 46, 58	024-35974-000	
	Circuit Breaker, 600V, 400A	YLAA0080, YLAA0081	17, 28, 40	024-35976-000	
	Circuit Breaker, 600V, 250A		46, 58	024-35974-000	
	Circuit Breaker, 600V, 600A	YLAA0089	17, 28	024-37004-000	
	Circuit Breaker, 600V, 400A		40	024-35976-000	
	Circuit Breaker, 600V, 250A		46, 58	024-35974-000	
	Circuit Breaker, 600V, 600A	YLAA0092	17, 28	024-37006-000	
	Circuit Breaker, 600V, 400A		40	024-35976-000	
	Circuit Breaker, 600V, 250A		46, 58	024-35974-000	
	Circuit Breaker, 600V, 600A	YLAA0100, YLAA0101	17, 28	024-37006-000	
	Circuit Breaker, 600V, 400A		40	024-37079-000	
	Circuit Breaker, 600V, 400A		46	024-35976-000	
	Circuit Breaker, 600V, 250A		58	024-35974-000	
	Circuit Breaker, 600V, 800A	YLAA0115, YLAA0120, YLAA0125	17, 28	024-37003-000	
	Circuit Breaker, 600V, 400A		40, 46	024-37079-000	
	Circuit Breaker, 600V, 400A		58	024-35976-000	
	Circuit Breaker, 600V, 800A	YLAA0136, YLAA0142	17, 28	024-37007-000	
	Circuit Breaker, 600V, 600A		40	024-37004-000	
	Circuit Breaker, 600V, 400A		46	024-37079-000	
	Circuit Breaker, 600V, 400A		58	024-35976-000	
	Circuit Breaker, 600V, 800A	YLAA0150, YLAA0155, YLAA0156	17, 28	024-37007-000	
	Circuit Breaker, 600V, 600A		40	024-37006-000	
	Circuit Breaker, 600V, 600A		46	024-37004-000	
	Circuit Breaker, 600V, 400A		58	024-35976-000	
	Circuit Breaker, 600V, 1000A	YLAA0170, YLAA0175	17, 28	024-37054-000	
	Circuit Breaker, 600V, 600A		40	024-37006-000	
	Circuit Breaker, 600V, 600A		46	024-37004-000	
Circuit Breaker, 600V, 400A	58		024-37079-000		

NOTE:

* Items are NOT represented.

** Make a visual inspection of the fuses and contactors in order to select the correct replacement part, refer to Table 65 on page 113.

**TABLE 61 - SINGLE POINT TERMINAL BLOCK STANDARD OR ULTRA QUIET FANS (PIN 52 = X OR L) (BX)
 (CONT'D)**

ITEM	DESCRIPTION	MODEL	VOLTAGE (PIN 11 & 12)	PART NUMBER	FIGURE
6A	Handle Kit, T4-T5 CB	YLAA0058 - YLAA0175	ALL	029-23477-000	35
	Operator Mechanism, Circuit Break, T4-T5			024-37558-000	
	Shaft, Operator, 19.7"/500mm			025-35696-000	
	Handle, Pistol, Ip65, S(T)4-5			029-23476-000	
7	Ground Lug, Copper	YLAA0058, YLAA0080, YLAA0081, YLAA0092	17, 28	025-34088-000	35
			40, 46, 58	025-34455-000	
				025-29194-000	
		YLAA0065	17, 28, 46	025-34088-000	
			40, 58	025-34455-000 025-29194-000	
		YLAA0070	17, 28, 58	025-34088-000	
			40, 46	025-34455-000 025-29194-000	
		YLAA0089	17, 28, 40, 58	025-34455-000 025-29194-000	
			46	025-34088-000	
		YLAA0100, YLAA0101	17, 28,40, 46	025-34088-000	
			58	025-34455-000 025-29194-000	
		YLAA0115 - YLAA0125, YLAA0150, YLAA0155	17, 28	025-34089-000	
40, 46, 58	025-34088-000				
YLAA0136, YLAA0142	ALL	025-34088-000			
8	Ground Lug	YLAA0058, YLAA0065	17, 28	025-34085-000	35
			40, 46, 58	025-34089-000	
		YLAA0070	ALL	025-34089-000	
			17, 28, 46, 58	025-34089-000	
		YLAA0080, YLAA0081	40	025-34085-000	
			17, 28, 40	025-34085-000	
		YLAA0089	46	025-34089-000	
			58	025-34088-000	
			17, 28, 40, 46	025-34085-000	
		YLAA0092	58	025-34088-000	
			17, 28, 46, 58	025-34089-000	
		YLAA0100, YLAA0101	40	025-34085-000	
			17, 28, 40, 46	025-34085-000	
		YLAA0115 - YLAA0125	58	025-34089-000	
			17, 28, 40	025-34089-000	
		YLAA0136, YLAA0142	46	025-34086-000	
			58	025-34085-000	
YLAA0150, YLAA0155	17, 28, 46	025-34085-000			
	40, 58	025-34089-000			

NOTE:

* Items are NOT represented.

** Make a visual inspection of the fuses and contactors in order to select the correct replacement part, refer to Table 65 on page 113.

**TABLE 61 - SINGLE POINT TERMINAL BLOCK STANDARD OR ULTRA QUIET FANS (PIN 52 = X OR L) (BX)
(CONT'D)**

ITEM	DESCRIPTION	MODEL	VOLTAGE (PIN 11 & 12)	PART NUMBER	FIGURE
8	Ground Lug	YLAA0170, YLAA0175	17, 28, 58	025-34089-000	35
			40, 46	025-34088-000	
9	Ground Lug, Copper	YLAA0100, YLAA0101 YLAA0136, YLAA0142 YLAA0170, YLAA0175	17, 28	025-34085-000	35
			17, 28	025-34086-000	
			17, 28, 40, 46	025-34085-000	
			58	025-34089-000	
10	Surge Suppressor	YLAA0058 - YLAA0175	ALL	031-00808-000	
11	Harness - Micro Logic	YLAA0058 - YLAA0175	ALL	-	*
	Fuse, 600V, Class CC, 10A			025-34430-000 025-35905-000	
	Fuse Holder, 1-Pole, 30A, Class CC			025-45048-001	
	PCB Connector, Female, 4-Position			025-35627-000	
	Terminal, Ground 22 - 10 Ga.			025-39407-000	
	Jumper, Plug-In (2-Position)			025-37678-000	
	PCB Connector, Female, 10-Position			025-29195-000	
	Connector - Housing			025-20788-000	
	Connector, Plug			025-20918-000	
	Split Pin Connector			025-22214-000	
	Socket Connector, Female			025-22215-000	
12	Harness - Micro ELV	YLAA0058 - YLAA0175	ALL	-	*
	Mini Mate-N-Lok			025-28385-000	
	Plug Housing			025-18955-000	
	Plug Housing			025-21137-000	
	Push-On Conn/Fem Straight			025-23735-000 025-34058-000	
	Connector Contact			025-28386-000	
	4 Circuit Dual Row			025-28959-000	
13	Assy IPU2 And I/O	YLAA0058 - YLAA0175	ALL	031-02550-001	*
14	Flash Card, Programmed	YLAA0058 - YLAA0175	ALL	031-02755-004	*
15	Carling Switch	YLAA0058 - YLAA0175	ALL	024-25517-000	*
16	Keypad, Non-Embossed, English	YLAA0058 - YLAA0175	ALL	024-36082-007	*
17	Display To IPU I/O Cable	YLAA0058 - YLAA0175	ALL	031-02108-000	*
18	2X20 Display	YLAA0058 - YLAA0175	ALL	031-02749-000	*
19	Relay, Control, 600V, 10A	YLAA0058 - YLAA0175	ALL	024-37045-000	35
20	Contacto-Relay Coil Suppressor	YLAA0058 - YLAA0175	ALL	031-02107-000	*
22	Terminal Strip, 10-Pole	YLAA0058 - YLAA0175	ALL	025-35641-000	35
	Terminal Strip, 12-Pole	YLAA0058 - YLAA0175	ALL	025-39812-000	

NOTE:

* Items are NOT represented.

** Make a visual inspection of the fuses and contactors in order to select the correct replacement part, refer to Table 65 on page 113.

TABLE 62 - SINGLE POINT TERMINAL BLOCK HIGH AIR FLOW FANS (PIN 52 = G) (BX)

ITEM	DESCRIPTION	MODEL	VOLTAGE (PIN 11 & 12)	PART NUMBER	FIGURE
1	Fuse, 600V, Class CC, 20A	YLAA0058 - YLAA0089	40, 46	025-34142-000*	35
	Fuse, 600V, Class CC, 12A	YLAA0092	40, 46	025-38396-000* 025-34140-000*	
	FUSE, 600V, CLASS CC, 12A	YLAA0100	40	025-38396-000* 025-34140-000*	
	Fuse, 600V, Class CC, 15A		46	025-34141-000*	
	Fuse, 600V, Class CC, 12A	YLAA0115, YLAA0120	46	025-38396-000* 025-34140-000*	
	Fuse, 600V, Class CC, 20A	YLAA0125	40	025-34142-000*	
	Fuse, 600V, Class CC, 15A		46	025-34141-000*	
	Fuse, 600V, Class CC, 20A	YLAA0136, YLAA0150 - YLAA0156	40, 46	025-34142-000*	
	Fuse, 600V, Class CC, 17-1/2A	YLAA0136	40, 46	025-34142-000*	
	Fuse, 600V, Class CC, 12A	YLAA0142	40	025-38396-000* 025-34140-000*	
	Fuse, 600V, Class CC, 10A		46	025-37618-000* 025-34139-000*	
	Fuse, 600V, Class CC, 20A	YLAA0170, YLAA0175	40	025-34142-000*	
	Fuse, 600V, Class CC, 12A	YLAA0170, YLAA0175	40	025-38396-000* 025-34140-000*	
	1A	Fuse Holder, 3-Pole, 30A, Class CC	YLAA0058 - YLAA0175	40, 46	
2	Haff 115V Control Harness	YLAA0058 - YLAA0175	40, 46	-	*
	Connector - Housing			025-20788-000	
	Connector, Plug			025-20918-000	
	Split Pin Connector			025-22214-000	
	Socket Connector, Female			025-22215-000	
	Connector Contact			025-28386-000	
	Housing, Cap			025-32962-000	
3	Clip-On RC Circ.110-240V, D09-D38 & Cad	YLAA0058 - YLAA0175	40, 46	031-02106-000	*
4	Contact, 3-Pole, 12A, 600V	YLAA0058 - YLAA0120	40, 46	024-34300-000*	35
	Contact, 3-Pole, 12A, 600V	YLAA0125, YLAA0150 - YLAA0156	40	024-34300-000*	
	Contact, 3-Pole, 12A, 600V	YLAA0136, YLAA0142	40, 46	024-34300-000*	
	Contact, 3-Pole, 12A, 600V	YLAA0170, YLAA0175	40	024-34300-000*	
5	Contact, 3-Pole, 50A, 600V	YLAA0058 - YLAA0092	40, 46	024-37040-000*	35
	Contact, 3-Pole, 80A, 600V	YLAA0100, YLAA0115, YLAA0120	46	024-34310-000*	
	Contact, 3-Pole, 115A, 600V 110V Coil	YLAA0125 - YLAA0175	40	029-23472-000* 024-37042-000*	
	Contact, 3-Pole, 65A, 600V	YLAA0136, YLAA0142	40	024-37041-000*	
	Contact, 3-Pole, 80A, 600V		46	024-34310-000*	

NOTE:

* Items are NOT represented.

** Make a visual inspection of the fuses and contactors in order to select the correct replacement part, refer to Table 65 on page 113.

TABLE 62 - SINGLE POINT TERMINAL BLOCK HIGH AIR FLOW FANS (PIN 52 = G) (BX) (CONT'D)

ITEM	DESCRIPTION	MODEL	VOLTAGE (PIN 11 & 12)	PART NUMBER	FIGURE
6	Circuit Breaker, 600V, 250A	YLAA0058, YLAA0065	40, 46	024-35974-000	35
	Circuit Breaker, 600V, 400A	YLAA0070	40	024-35976-000	
	Circuit Breaker, 600V, 250A		46	024-35974-000	
	Circuit Breaker	YLAA0080, YLAA0081	40	-	
	Circuit Breaker, 600V, 250A		46	024-35974-000	
	Circuit Breaker, 600V, 400A	YLAA0089	40	024-35976-000	
	Circuit Breaker, 600V, 250A		46	024-35974-000	
	Circuit Breaker, 600V, 400A	YLAA0092	40, 46	024-35976-000	
	Circuit Breaker	YLAA0100, YLAA0101	40	-	
	Circuit Breaker, 600V, 400A		46	024-35976-000	
	Circuit Breaker	YLAA0115, YLAA0120	40	-	
	Circuit Breaker, 600V, 400A		46	024-37079-000	
	Circuit Breaker, 600V, 600A	YLAA0125	40	024-37004-000	
	Circuit Breaker, 600V, 400A		46	024-35976-000	
	Circuit Breaker, 600V, 600A	YLAA0136, YLAA0142	40	025-37004-000	
	Circuit Breaker, 600V, 400A		46	024-37079-000	
	Circuit Breaker, 600V, 600A	YLAA0150, YLAA0155, YLAA0170, YLAA0175	40	025-37006-000	
	Circuit Breaker, 600V, 600A		46	025-37004-000	
Circuit Breaker, 600V, 600A	YLAA0156	40	025-37006-000		
Circuit Breaker, 600V, 400A		46	024-37079-000		
6A	Operator Mechanism, Circuit Breaker	YLAA0058 - YLAA0175	ALL	025-34409-000	
7	Ground Lug, Copper	YLAA0080, YLAA0081	46	025-34088-000	35
		YLAA0136, YLAA0142	40, 46	025-34455-000 025-29194-000	
8	Ground Lug, Copper	YLAA0058	40	025-34455-000 025-29194-000	35
			46	025-34088-000	
		YLAA0065, YLAA0089, YLAA0092	40,46	025-34455-000 025-29194-000	
		YLAA0070	40	025-34455-000 025-29194-000	
		YLAA0100	46	025-34088-000	
		YLAA0115, YLAA0120, YLAA0150, YLAA0155, YLAA0156	46	025-34455-000 025-29194-000	
		YLAA0125, YLAA0136, YLAA0142	40, 46	025-34088-000	
YLAA0150, YLAA0155, YLAA0156, YLAA0170, YLAA0175	40	025-34088-000			

NOTE:

* Items are NOT represented.

** Make a visual inspection of the fuses and contactors in order to select the correct replacement part, refer to Table 65 on page 113.

TABLE 62 - SINGLE POINT TERMINAL BLOCK HIGH AIR FLOW FANS (PIN 52 = G) (BX) (CONT'D)

ITEM	DESCRIPTION	MODEL	VOLTAGE (PIN 11 & 12)	PART NUMBER	FIGURE
9	Ground Lug, Copper	YLAA0058, YLAA0089, YLAA0092, YLAA0125, YLAA0150, YLAA0155, YLAA0156	40, 46	025-34085-000	35
		YLAA0065, YLAA0080, YLAA0081	40, 46	025-34089-000	
		YLAA0100, YLAA0115, YLAA0120, YLAA0136	46	025-34085-000	
		YLAA0136	40	025-34086-000	
		YLAA0142	40, 46	025-34086-000	
		YLAA0170, YLAA0175	40	025-34085-000	
10	Surge Suppressor, LC1D40 / 50 / 65A	YLAA0058 - YLAA0175	40, 46	031-00808-000	35
11	Micro Assy	YLAA0058 - YLAA0175	40, 46	-	*
	Fuse, 600V, Class CC, 10A			025-34430-000 025-35905-000	
	Fuse Holder, 1-Pole, 30A, Class CC			025-45048-001	
	PCB Connector, Female, 4-Position			025-35627-000	
	Terminal, Ground 22 - 10 Ga.			025-39407-000	
	Jumper, Plug-In (2-Position)			025-37678-000	
	PCB Connector, Female, 10-Position			025-29195-000	
	Connector - Housing			025-20788-000	
	Connector, Plug			025-20918-000	
	Split Pin Connector			025-22214-000	
	Socket Connector, Female	025-22215-000			
12	Harness - Micro ELV	YLAA0058 - YLAA0175	40, 46	-	*
	Mini Mate-N-Lok			025-28385-000	
	Plug Housing			025-18955-000	
	Plug Housing			025-21137-000	
	Push-On Conn/Fem Straight			025-23735-000 025-34058-000	
	Connector Contact			025-28386-000	
	4 Circuit Dual Row			025-28959-000	
13	Assy IPU2 and I/O	YLAA0058 - YLAA0175	40, 46	031-02550-001	*
14	Flash Card, Programmed	YLAA0058 - YLAA0175	40, 46	031-02755-004	*
15	Carling Switch	YLAA0058 - YLAA0175	40, 46	024-25517-000	*
16	Keypad, Non-Embossed, English	YLAA0058 - YLAA0175	40, 46	024-36082-007	*
17	Display To Ipu I/O Cable	YLAA0058 - YLAA0175	40, 46	031-02108-000	*
18	2X20 Display	YLAA0058 - YLAA0175	40, 46	031-02749-000	*
19	Relay, Control, 600V, 10A	YLAA0058 - YLAA0175	40, 46	024-37045-000	35
20	Contact-Relay Coil Suppressor	YLAA0058 - YLAA0175	40, 46	031-02107-000	*
22	Terminal Strip, 10-Pole	YLAA0058 - YLAA0175	ALL	025-35641-000	35
	Terminal Strip, 12-Pole	YLAA0058 - YLAA0175	ALL	025-39812-000	

NOTE:

* Items are NOT represented.

** Make a visual inspection of the fuses and contactors in order to select the correct replacement part, refer to Table 65 on page 113.

TABLE 63 - SINGLE POINT TERMINAL BLOCK STANDARD OR ULTRA QUIET FANS (PIN 52 = X OR L) (BC)

ITEM	DESCRIPTION	MODEL	VOLTAGE (PIN 11 & 12)	PART NUMBER	FIGURE
1	Fuse, 600V, Class J, 60A	YLAA0058, YLAA0065,	46	025-40537-001*	35
	Fuse, 600V, Class J, 45A	YLAA0080, YLAA0081, YLAA0089, YLAA0092	58	025-40537-011*	
	Fuse, 600V, Class J, 50A	YLAA065	46	025-40537-012*	
	Fuse, 600V, Class J, 45A		58	025-40537-011*	
	Fuse, 600V, Class J, 50A	YLAA0070	46	025-40537-012*	
	Fuse, 600V, Class J, 35A		58	025-42822-253*	
	Fuse, 600V, Class J, 50A	YLAA0080, YLAA0081	46	025-40537-012*	
	Fuse, 600V, Class J, 35A		58	025-42822-253*	
	Fuse, 600V, Class J, 60A	YLAA0100, YLAA0101,	46	025-40537-001*	
	Fuse, 600V, Class J, 90A	YLAA0136, YLAA0142	58	025-38344-000*	
	Fuse, 600V, Class J, 100A	YLAA0100, YLAA0101,	46	025-40537-002*	
	Fuse, 600V, Class J, 45A	YLAA0136, YLAA0142	58	025-40537-011*	
	Fuse, 600V, Class J, 100A	YLAA0115 -	46	025-40537-002*	
	Fuse, 600V, Class J, 90A	YLAAA0125, YLAA0150 - YLAA0175	58	025-38344-000*	
1A	Fuse Holder, 3-Pole, 30A, Class CC	YLAA0100, YLAA0101	All	025-45048-003*	
1B	Fuse Block, 3-Pole, 60A, Class J	YLAA0058 - YLAA0101, YLAA0136, YLAA0142	All	025-45050-003	
2	115V Control Harness	YLAA0058 - YLAA0175	ALL	-	*
	Connector - Housing			025-20788-000	
	Connector, Plug			025-20918-000	
	Split Pin Connector			025-22214-000	
	Socket Connector, Female			025-22215-000	
	Connector Contact			025-28386-000	
	Housing, Cap			025-32962-000	
3	Clip-On Rc Circ.110-240V, D09-D38 & Cad	YLAA0058 - YLAA0175	ALL	031-02106-000	*
4	Contact, 3-Pole, 12A, 600V	YLAA0058, YLAA0065	17, 28	024-34300-000*	35
	Contact, 3-Pole, 12A, 600V	YLAA0058	40, 46	024-34300-000*	
	Contact, 3-Pole, 9A, 600V		58	024-34302-000*	
	Contact, 3-Pole, 12A, 600V	YLAA0065, YLAA0080, YLAA0081	40, 46, 58	024-34300-000*	
	Contact, 3-Pole, 12A, 600V	YLAA0080, YLAA0081	17, 28	024-34300-000*	
	Contact, 3-Pole, 12A, 600V	YLAA0070, YLAA0089, YLAA0092	ALL	024-34300-000*	
	Contact, 3-Pole, 12A, 600V	YLAA0100, YLAA0101, YLAA0136, YLAA0142	17, 28	024-34300-000*	
	Contact, 3-Pole, 18A, 600V	YLAA0115 - YLAA0125	40	024-34304-000*	
	Contact, 3-Pole, 18A, 600V		17, 28	024-34304-000*	
	Contact, 3-Pole, 12A, 600V	YLAA0150 - YLAA0156	40, 46, 58	024-34300-000*	
	Contact, 3-Pole, 12A, 600V		40	024-34300-000*	
	Contact, 3-Pole, 18A, 600V	YLAA0150 - YLAA0175	46, 58	024-34304-000*	
	Contact, 3-Pole, 18A, 600V		17, 28, 40	024-34304-000*	
	Contact, 3-Pole, 12A, 600V	YLAA0150 - YLAA0175	46, 58	024-34300-000*	

NOTE:

* Items are NOT represented.

** Make a visual inspection of the fuses and contactors in order to select the correct replacement part, refer to Table 65 on page 113.

**TABLE 63 - SINGLE POINT TERMINAL BLOCK STANDARD OR ULTRA QUIET FANS (PIN 52 = X OR L) (BC)
 (CONT'D)**

ITEM	DESCRIPTION	MODEL	VOLTAGE (PIN 11 & 12)	PART NUMBER	FIGURE
5	Contactors, 3-Pole, 115A, 600V 110V Coil	YLAA0058	17, 28	024-37042-000*	35
	Contactors, 3-Pole, 50A, 600V	YLAA0058, YLAA0065	40, 46, 58	024-37040-000*	
	Contactors, 3-Pole, 80A, 600V	YLAA0065	17, 28	024-34310-000*	
	Contactors, 3-Pole, 115A, 600V 110V Coil	YLAA0065, YLAA0080, YLAA0081	17, 28	029-23472-000* 024-37042-000*	
	Contactors, 3-Pole, 80A, 600V	YLAA0070	17, 28	024-34310-000*	
	Contactors, 3-Pole, 50A, 600V		40, 46, 58	024-37040-000*	
	Contactors, 3-Pole, 115A, 600V 110V Coil	YLAA0100, YLAA0101, YLAA0136, YLAA0142	17, 28, 40	029-23472-000* 024-37042-000*	
	Contactors, 3-Pole, 115A, 600V 110V Coil	YLAA0115 - YLAA0125, YLAA0150 - YLAA0175	40	029-23472-000* 024-37042-000*	
	Contactors, 3-Pole, 80A, 600V	YLAA0080, YLAA0081	17, 28	024-34310-000*	
	Contactors, 3-Pole, 50A, 600V		40	024-37040-000*	
	Contactors, 3-Pole, 65A, 600V		40	024-37041-000*	
	Contactors, 3-Pole, 50A, 600V		46, 58	024-37040-000*	
	Contactors, 3-Pole, 80A, 600V	YLAA0089, YLAA0092	17, 28	024-34310-000*	
	Contactors, 3-Pole, 50A, 600V		40, 46	024-37040-000*	
	Contactors, 3-Pole, 40A, 600V		58	024-37039-000*	
	Contactors, 3-Pole, 150A, 600V	YLAA0100, YLAA0101, YLAA0136, YLAA0142	17, 28	024-34294-000*	
	Contactors, 3-Pole, 65A, 600V		40	024-37041-000*	
	Contactors, 3-Pole, 80A, 600V		46, 58	024-34310-000*	
	Contactors, 3-Pole, 50A, 600V		46, 58	024-37040-000*	
	Contactors, 3-Pole, 150A, 600V	YLAA0115 - YLAA0125, YLAA0170, YLAA0175	17, 28	024-34294-000*	
Contactors, 3-Pole, 80A, 600V	YLAA0115 - YLAA0125	46, 58	024-34310-000*		
Contactors, 3-Pole, 150A, 600V	YLAA0150 - YLAA0156	17, 28	024-34294-000*		
Contactors, 3-Pole, 80A, 600V	YLAA0150 - YLAA0175	46, 58	024-34310-000*		
6	Circuit Breaker, 600V, 400A	YLAA0058, YLAA0065	17, 28	024-37079-000	35
	Circuit Breaker, 600V, 250A		40, 46	024-35974-000	
	Circuit Breaker, 600V, 250A		58	024-37067-000	
	Circuit Breaker	YLAA0070	17, 28, 40, 58	-	
	Circuit Breaker, 600V, 250A		46	024-35974-000	
	Circuit Breaker, 600V, 600A	YLAA0080, YLAA0081	17, 28	024-37006-000	
	Circuit Breaker, 600V, 125A			024-37086-000	
	Circuit Breaker, 600V, 225A			024-37076-000	
	Circuit Breaker, 600V, 400A	YLAA0080, YLAA0081	40	024-37079-000	
	Circuit Breaker, 600V, 60A			024-37081-000	
	Circuit Breaker, 600V, 125A			024-37086-000	
	Circuit Breaker, 600V, 400A			024-35976-000	
	Circuit Breaker, 600V, 250A		58	024-37058-000	

NOTE:

* Items are NOT represented.

** Make a visual inspection of the fuses and contactors in order to select the correct replacement part, refer to Table 65 on page 113.

**TABLE 63 - SINGLE POINT TERMINAL BLOCK STANDARD OR ULTRA QUIET FANS (PIN 52 = X OR L) (BC)
(CONT'D)**

ITEM	DESCRIPTION	MODEL	VOLTAGE (PIN 11 & 12)	PART NUMBER	FIGURE
6	Circuit Breaker, 600V, 600A	YLAA0089	17, 28	024-37004-000	35
	Circuit Breaker, 600V, 125A			024-37086-000	
	Circuit Breaker, 600V, 400A		40	024-35976-000	
	Circuit Breaker, 600V, 60A			024-37081-000	
	Circuit Breaker, 600V, 250A		46	024-35974-000	
	Circuit Breaker, 600V, 250A		58	024-37067-000	
	Circuit Breaker, 600V, 600A	YLAA0092	17, 28	024-37006-000	
	Circuit Breaker, 600V, 125A			024-37086-000	
	Circuit Breaker, 600V, 400A		40	024-35976-000	
	Circuit Breaker, 600V, 60A			024-37081-000	
	Circuit Breaker, 600V, 250A		46	024-37058-000	
	Circuit Breaker, 600V, 250A		58	024-37067-000	
	Circuit Breaker, 600V, 600A	YLAA0100, YLAA0101	17, 28	024-37006-000	
	Circuit Breaker, 600V, 125A			024-37086-000	
	Circuit Breaker, 600V, 225A		40	024-37076-000	
	Circuit Breaker, 600V, 400A			024-37079-000	
	Circuit Breaker, 600V, 60A		024-37081-000		
	Circuit Breaker, 600V, 125A		024-37086-000		
	Circuit Breaker, 600V, 400A	46	024-35976-000		
	Circuit Breaker, 600V, 250A	58	024-37058-000		
	Circuit Breaker, 600V, 800A	YLAA0115, YLAA0120, YLAA0125	17, 28	024-37003-000	
	Circuit Breaker, 600V, 225A			024-37076-000	
	Circuit Breaker, 600V, 400A		40	024-37079-000	
	Circuit Breaker, 600V, 125A			024-37086-000	
	Circuit Breaker, 600V, 400A		46	024-37079-000	
	Circuit Breaker, 600V, 400A		58	024-37066-000	
	Circuit Breaker, 600V, 800A	YLAA0136, YLAA0142	17, 28	024-37007-000	
	Circuit Breaker, 600V, 125A			024-37086-000	
	Circuit Breaker, 600V, 225A		40	024-37076-000	
	Circuit Breaker, 600V, 600A			024-37004-000	
Circuit Breaker, 600V, 60A	024-37081-000				
Circuit Breaker, 600V, 125A	024-37086-000				
Circuit Breaker, 600V, 400A	46	024-37079-000			
Circuit Breaker, 600V, 400A	58	024-37066-000			
Circuit Breaker, 600V, 800A	YLAA0150, YLAA0155, YLAA0156	17, 28	024-37007-000		
Circuit Breaker, 600V, 225A			024-37076-000		
Circuit Breaker, 600V, 600A		40	024-37006-000		
Circuit Breaker, 600V, 125A			024-37086-000		
Circuit Breaker, 600V, 600A		46	024-37004-000		
Circuit Breaker, 600V, 400A		58	024-37066-000		

NOTE:

* Items are NOT represented.

** Make a visual inspection of the fuses and contactors in order to select the correct replacement part, refer to Table 65 on page 113.

**TABLE 63 - SINGLE POINT TERMINAL BLOCK STANDARD OR ULTRA QUIET FANS (PIN 52 = X OR L) (BC)
 (CONT'D)**

ITEM	DESCRIPTION	MODEL	VOLTAGE (PIN 11 & 12)	PART NUMBER	FIGURE
6	Circuit Breaker, 600V, 1000A	YLAA0170, YLAA0175	17, 28	024-37054-000	35
	Circuit Breaker, 600V, 225A			024-37076-000	
	Circuit Breaker, 600V, 600A		40	024-37006-000	
	Circuit Breaker, 600V, 400A		46	024-37004-000	
	Circuit Breaker, 600V, 400A		58	024-37059-000	
6A	Handle Kit, T4-T5 CB	YLAA0058 - YLAA0175	ALL	029-23477-000	35
	Operator Mechanism, Circuit Breaker, T4-T5			024-37558-000	
	Shaft, Operator, 19.7"/500mm			025-35696-000	
	Handle, Pistol, Ip65, S(T)4-5			029-23476-000	
7	Ground Lug, Copper	YLAA0058, YLAA0065, YLAA0092	17, 28	025-34088-000	35
			40, 46, 58	025-34455-000 025-29194-000	
		YLAA0070, YLAA0080, YLAA0081	17, 28, 40, 58	025-34088-000	
			40	025-34455-000 025-29194-000	
		YLAA0089	17, 28, 40, 58	025-34455-000 025-29194-000	
			46	025-34088-000	
		YLAA0100, YLAA0101	17, 28, 40, 56	025-34088-000	
			58	025-34455-000 025-29194-000	
		YLAA0115 - YLAA0125, YLAA0170, YLAA0175	17, 28	025-34089-000	
			40, 46, 58	025-34088-000	
		YLAA0136, YLAA142	ALL	025-34088-000	
		YLAA0150 - YLAA0156	17, 28	025-34089-000	
			40, 46	025-34088-000	
58	025-34455-000 025-29194-000				
7A	Ground Lug, Copper	YLAA0100, YLAA0101	58	025-34088-000	35
		YLAA0136, YLAA0142	17, 28	025-34089-000	
8	Ground Lug, Copper	YLAA0058, YLAA0065	17, 28	025-34085-000	35
			40, 46, 58	025-34089-000	
		YLAA0070, YLAA0080, YLAA0081	ALL	025-34089-000	
			17, 28, 40	025-34085-000	
		YLAA0089	46	025-34089-000	
			58	025-34088-000	
			17, 28, 40, 46	025-34085-000	
YLAA0092	58	025-34089-000			

NOTE:

* Items are NOT represented.

** Make a visual inspection of the fuses and contactors in order to select the correct replacement part, refer to Table 65 on page 113.

**TABLE 63 - SINGLE POINT TERMINAL BLOCK STANDARD OR ULTRA QUIET FANS (PIN 52 = X OR L) (BC)
(CONT'D)**

ITEM	DESCRIPTION	MODEL	VOLTAGE (PIN 11 & 12)	PART NUMBER	FIGURE
8	Ground Lug, Copper	YLAA0100, YLAA0101	17, 28, 40, 46	025-34089-000	35
			58	025-34085-000	
		YLAA0115 - YLAA0125	17, 28	025-34086-000	
			40, 46, 58	025-34085-000	
		YLAA0136, YLAA0142	17, 28, 46	025-34086-000	
			40, 58	025-34089-000	
YLAA0150 - YLAA0156	17, 28, 46, 58	025-34085-000			
	40	025-34089-000			
	YLAA0170, YLAA0175	ALL	025-34085-000		
9	Surge Suppressor	YLAA0058 - YLAA0175	ALL	031-00808-000	35
10	Micro Assy	YLAA0058 - YLAA0175	ALL	-	*
	Fuse, 600V, Class CC, 10A			025-34430-000	
	Fuse Holder, 1-Pole, 30A, Class CC			025-35905-000	
	PCB Connector, Female, 4-Position			025-45048-001	
	Terminal, Ground 22 - 10 Ga.			025-35627-000	
	Jumper, Plug-In (2-Position)			025-39407-000	
	PCB Connector, Female, 10-Position			025-37678-000	
	Connector - Housing			025-29195-000	
	Connector, Plug			025-20788-000	
	Split Pin Connector			025-20918-000	
	Socket Connector, Female			025-22214-000	
		025-22215-000			
11	Harness - Micro ELV	YLAA0058 - YLAA0175	ALL	-	*
	Mini Mate-N-Lok			025-28385-000	
	Plug Housing			025-18955-000	
	Plug Housing			025-21137-000	
	Push-On Conn/Fem Straight			025-23735-000	
	Connector Contact			025-34058-000	
	4 Circuit Dual Row			025-28386-000	
		025-28959-000			
12	Assy IPU2 And I/O	YLAA0058 - YLAA0175	ALL	031-02550-001	*
13	Flash Card, Programmed	YLAA0058 - YLAA0175	ALL	031-02755-004	*
14	Carling Switch	YLAA0058 - YLAA0175	ALL	024-25517-000	*
15	Keypad, Non-Embossed, English	YLAA0058 - YLAA0175	ALL	024-36082-007	*
16	Display To IPU I/O Cable	YLAA0058 - YLAA0175	ALL	031-02108-000	*
17	2X20 Display	YLAA0058 - YLAA0175	ALL	031-02749-000	*
18	Relay, Control, 600V, 10A	YLAA0058 - YLAA0175	ALL	024-37045-000	35
19	Contact-Relay Coil Suppressor	YLAA0058 - YLAA0175	ALL	031-02107-000	*
22	Terminal Strip, 10-Pole	YLAA0058 - YLAA0175	ALL	025-35641-000	35
	Terminal Strip, 10-Pole	YLAA0058 - YLAA0175	ALL	025-39812-000	

NOTE:

* Items are NOT represented.

** Make a visual inspection of the fuses and contactors in order to select the correct replacement part, refer to Table 65 on page 113.

TABLE 64 - SINGLE POINT TERMINAL BLOCK HIGH AIR FLOW FANS (PIN 52 = G) (BC)

ITEM	DESCRIPTION	MODEL	VOLTAGE (PIN 11 & 12)	PART NUMBER	FIGURE
1	Fuse, 600V, Class CC, 20A	YLAA0058	40	025-34142-000*	35
	Fuse, 600V, Class J, 60A		46	025-36176-000* 025-40537-001*	
	Fuse, 600V, Class CC, 20A	YLAA0065 - YLAA0081	40, 46	025-34142-000*	
	Fuse, 600V, Class CC, 20A	YLAA0100	40	025-34142-000*	
	Fuse, 600V, Class CC, 15A		46	025-34141-000*	
	Fuse, 600V, Class CC, 20A		46	025-34140-000*	
	Fuse, 600V, Class CC, 12A	YLAA0115, YLAA0120	40	025-38396-000* 025-34140-000*	
	Fuse, 600V, Class CC, 12A	YLAA0115, YLAA0120, YLAA0170, YLAA0175	46	025-38396-000* 025-34140-000*	
	Fuse, 600V, Class CC, 10A	YLAA0100, YLAA0142	46	025-37618-000* 025-34139-000*	
	Fuse, 600V, Class CC, 20A		46	025-34140-000*	
	Fuse, 600V, Class CC, 20A		46	025-34142-000*	
	Fuse, 600V, Class CC, 12A	YLAA0142, YLAA070, YLAA0175	40	025-38396-000* 025-34140-000*	
	Fuse, 600V, Class CC, 15A		46	025-34141-000*	
	Fuse, 600V, Class J, 45A	YLAA0070, YLAA0080, YLAA0081	46	025-39349-000* 025-40537-011*	
	Fuse, 600V, Class J, 50A	YLAA0080, YLAA0081	46	025-36175-000* 025-40537-012*	
Fuse, 600V, Class CC, 12A	YLAA0100	40	025-38396-000* 025-34140-000*		
1A	Fuse, 600V, Class J, 100A	YLAA0100	46	025-36180-000* 025-40537-002*	35
	Fuse, 600V, Class J, 100A	YLAA0101, YLAA0115, YLAA0120, YLAA0136, YLAA0142, YLAA0150, YLAA0155, YLAA0170, YLAA0175	46	025-36180-000* 025-40537-002*	
	Fuse, 600V, Class J, 100A	YLAA0125	46	025-36180-000* 025-40537-002*	
	Fuse, 600V, Class J, 100A	YLAA0156	46	025-36180-000* 025-40537-002*	
	Fuse, 600V, Class J, 60A	YLAA0100, YLAA0136, YLAA0142	46	025-36176-000* 025-40537-001*	
	Fuse, 600V, Class J, 50A	YLAA0101	46	025-36175-000* 025-40537-012*	
1B	Fuse Holder, 3-Pole, 30A, Class CC	YLAA0058 - YLAA0175	40, 46	025-45048-003	
1C	Fuse Block, 3-Pole, 60A, Class J	YLAA0058, YLAA0070, YLAA0080, YLAA0081, YLAA0100, YLAA0101, YLAA0136, YLAA0142	46	025-45050-003	

NOTE:

* Items are NOT represented.

** Make a visual inspection of the fuses and contactors in order to select the correct replacement part, refer to Table 65 on page 113.

TABLE 64 - SINGLE POINT TERMINAL BLOCK HIGH AIR FLOW FANS (PIN 52 = G) (BC) (CONT'D)

ITEM	DESCRIPTION	MODEL	VOLTAGE (PIN 11 & 12)	PART NUMBER	FIGURE
2	Haff 115V Control Harness	YLAA0058 - YLAA0175	40, 46	-	*
	Connector - Housing			025-20788-000	
	Connector, Plug			025-20918-000	
	Split Pin Connector			025-22214-000	
	Socket Connector, Female			025-22215-000	
	Connector Contact			025-28386-000	
	Housing, Cap			025-32962-000	
3	Clip-On RC Circ.110-240V, D09-D38 & Cad	YLAA0058 - YLAA0175	40, 46	031-02106-000	*
4	Contact, 3-Pole, 12A, 600V	YLAA0058 - YLAA0081	40, 46	024-34300-000*	35
	Contact, 3-Pole, 12A, 600V	YLAA0115 - YLAA0125, YLAA0150 - YLAA0175	40	024-34300-000*	
	Contact, 3-Pole, 12A, 600V	YLAA0100 - YLAA0175	46	024-34300-000*	
	Contact, 3-Pole, 12A, 600V	YLAA0100, YLAA0101, YLAA0136, YLAA0142	40	024-34300-000*	
5	Contact, 3-Pole, 50A, 600V	YLAA0058, YLAA0065, YLAA0070	40, 46	024-37040-000*	35
	Contact, 3-Pole, 50A, 600V	YLAA0080, YLAA0081	40	024-37040-000*	
	Contact, 3-Pole, 65A, 600V	YLAA0080, YLAA0081	40	024-37041-000*	
	Contact, 3-Pole, 50A, 600V		46	024-37040-000*	
	Contact, 3-Pole, 115A, 600V 110V Coil	YLAA0100 - YLAA0175	40	029-23472-000*	
	Contact, 3-Pole, 65A, 600V	YLAA0100, YLAA0101, YLAA0136, YLAA0142	40	024-37041-000*	
	Contact, 3-Pole, 80A, 600V		46	024-34310-000*	
	Contact, 3-Pole, 80A, 600V	YLAA0115 - YLAA0125, YLAA0150 - YLAA0175	46	024-34310-000*	
Contact, 3-Pole, 50A, 600V		46	024-37040-000*		
6	Circuit Breaker, 600V, 250A	YLAA0058	40	024-35974-000	35
	Circuit Breaker, 600V, 60A			024-37081-000	
	Circuit Breaker, 600V, 250A	YLAA0065	46	024-35974-000	
	Circuit Breaker, 600V, 250A			024-35974-000	
	Circuit Breaker, 600V, 400A	YLAA0070	40	024-35976-000	
	Circuit Breaker, 600V, 60A			024-37081-000	
	Circuit Breaker, 600V, 250A	YLAA0080, YLAA0081	46	024-35974-000	
	Circuit Breaker, 600V, 400A			024-35976-000	
	Circuit Breaker, 600V, 60A	YLAA0089	40	024-37081-000	
	Circuit Breaker, 600V, 250A			024-35974-000	
	Circuit Breaker, 600V, 400A	YLAA0092	40	024-35976-000	
	Circuit Breaker, 600V, 60A			024-37081-000	
	Circuit Breaker, 600V, 250A	YLAA0092	46	024-35974-000	
	Circuit Breaker, 600V, 400A			024-35976-000	
	Circuit Breaker, 600V, 60A	YLAA0092	40	024-37081-000	
	Circuit Breaker, 600V, 400A			024-35976-000	

NOTE:

* Items are NOT represented.

** Make a visual inspection of the fuses and contactors in order to select the correct replacement part, refer to Table 65 on page 113.

TABLE 64 - SINGLE POINT TERMINAL BLOCK HIGH AIR FLOW FANS (PIN 52 = G) (BC) (CONT'D)

ITEM	DESCRIPTION	MODEL	VOLTAGE (PIN 11 & 12)	PART NUMBER	FIGURE
6	Circuit Breaker, 600V, 400A	YLAA0100, YLAA0101	40	024-37079-000	35
	Circuit Breaker, 600V, 60A			024-37081-000	
	Circuit Breaker, 600V, 125A			024-37086-000	
	Circuit Breaker, 600V, 400A			024-35976-000	
	Circuit Breaker, 600V, 400A	YLAA0115, YLAA0120	40	024-37079-000	
	Circuit Breaker, 600V, 125A			024-37086-000	
	Circuit Breaker, 600V, 400A			024-37079-000	
	Circuit Breaker, 600V, 600A	YLAA0125	40	024-37004-000	
	Circuit Breaker, 600V, 125A			024-37086-000	
	Circuit Breaker, 600V, 400A			024-35976-000	
	Circuit Breaker, 600V, 600A	YLAA0136	40	024-37004-000	
	Circuit Breaker, 600V, 60A			024-37081-000	
	Circuit Breaker, 600V, 125A			024-37086-000	
	Circuit Breaker, 600V, 400A	YLAA0142	46	024-37079-000	
	Circuit Breaker, 600V, 600A			024-37004-000	
	Circuit Breaker, 600V, 60A			024-37081-000	
	Circuit Breaker, 600V, 125A	YLAA0150, YLAA0155	40	024-37086-000	
	Circuit Breaker, 600V, 400A			024-37079-000	
	Circuit Breaker, 600V, 600A			024-37006-000	
	Circuit Breaker, 600V, 600A	YLAA0156	40	024-37006-000	
	Circuit Breaker, 600V, 125A			024-37086-000	
	Circuit Breaker, 600V, 400A			024-37079-000	
	Circuit Breaker, 600V, 600A	YLAA0170, YLAA0175	40	024-37006-000	
	Circuit Breaker, 600V, 125A			024-37086-000	
Circuit Breaker, 600V, 600A	024-37004-000				
6A	Handle Kit, T4-T5 CB	YLAA0058 - YLAA0175	ALL	029-23477-000	
	Operator Mechanism, Circuit Breaker, T4-T5			024-37558-000	
	Shaft, Operator, 19.7"/500mm			025-35696-000	
	Handle, Pistol, Ip65, S(T)4-5			029-23476-000	
7	Ground Lug, Copper	YLAA0058, YLAA0065, YLAA0080, YLAA0081	40	025-34455-000	35
			46	025-29194-000	
		YLAA0070	40	025-34088-000	
			46	025-34455-000 025-29194-000	
		YLAA0100 - YLAA0125, YLAA0150 - YLAA0175	40, 46	025-34088-000	
		YLAA0136, YLAA0142	40, 46	025-34455-000 025-29194-000	
7A	Ground Lug, Copper	YLAA0136, YLAA0142	40	025-34088-000	35

NOTE:

* Items are NOT represented.

** Make a visual inspection of the fuses and contactors in order to select the correct replacement part, refer to Table 65 on page 113.

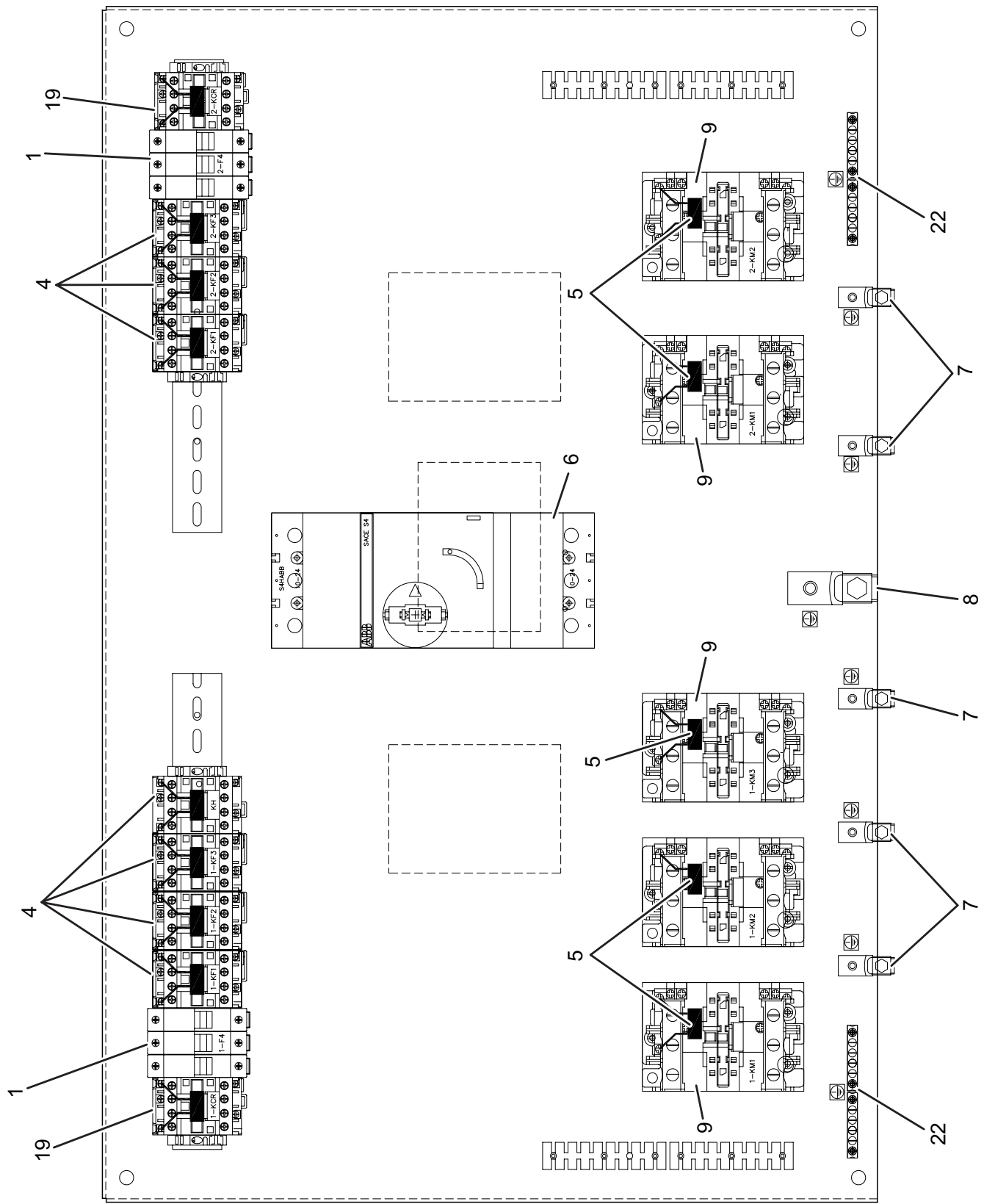
TABLE 64 - SINGLE POINT TERMINAL BLOCK HIGH AIR FLOW FANS (PIN 52 = G) (BC) (CONT'D)

ITEM	DESCRIPTION	MODEL	VOLTAGE (PIN 11 & 12)	PART NUMBER	FIGURE
8	Ground Lug, Copper	YLAA0058, YLAA0101, YLAA0125, YLAA0150 - YLAA0156	40, 46	025-34085-000	35
		YLAA0065, YLAA0115, YLAA0120	40	025-34089-000	
			46	025-34085-000	
		YLAA0070, YLAA0080, YLAA0081	40	025-34085-000	
			46	025-34089-000	
		YLAA0100, YLAA0170, YLAA0175	40	025-34086-000	
			46	025-34085-000	
YLAA0136	40	025-34086-000			
YLAA0142	40, 46	025-34088-000			
9	Surge Suppressor, LC1D40 / 50 / 65A	YLAA0058 - YLAA0175	40, 46	031-00808-000	35
10	Micro Assy	YLAA0058 - YLAA0175	40, 46	-	*
	Fuse, 600V, Class CC, 10A			025-34430-000	
	Fuse Holder, 1-Pole, 30A, Class CC			025-35905-000	
	PCB Connector, Female, 4-Position			025-45048-001	
	Terminal, Ground 22 - 10 Ga.			025-35627-000	
	Jumper, Plug-In (2-Position)			025-39407-000	
	PCB Connector, Female, 10-Position			025-37678-000	
	Connector - Housing			025-29195-000	
	Connector, Plug			025-20788-000	
	Split Pin Connector			025-20918-000	
	Socket Connector, Female	025-22214-000			
		025-22215-000			
11	Harness - Micro ELV	YLAA0058 - YLAA0175	40, 46	-	*
	Mini Mate-N-Lok			025-28385-000	
	Plug Housing			025-18955-000	
	Plug Housing			025-21137-000	
	Push-On Conn/Fem Straight			025-23735-000	
	Connector Contact			025-34058-000	
	4 Circuit Dual Row			025-28386-000	
		025-28959-000			
12	Assy IPU2 and I/O	YLAA0058 - YLAA0175	40, 46	031-02550-001	*
13	Flash Card, Programmed	YLAA0058 - YLAA0175	40, 46	031-02755-004	*
14	Carling Switch	YLAA0058 - YLAA0175	40, 46	024-25517-000	*
15	Keypad, Non-Embossed, English	YLAA0058 - YLAA0175	40, 46	024-36082-007	*
16	Display To IPU I/O Cable	YLAA0058 - YLAA0175	40, 46	031-02108-000	*
17	2X20 Display	YLAA0058 - YLAA0175	40, 46	031-02749-000	*
18	Relay, Control, 600V, 10A	YLAA0058 - YLAA0175	40, 46	024-37045-000	35
19	Contacto-Relay Coil Suppressor	YLAA0058 - YLAA0175	40, 46	031-02107-000	*
22	Terminal Strip, 10-Pole	YLAA0058 - YLAA0175	ALL	025-35641-000	35
	Terminal Strip, 12-Pole	YLAA0058 - YLAA0175	ALL	025-39812-000	

NOTE:

* Items are NOT represented.

** Make a visual inspection of the fuses and contactors in order to select the correct replacement part, refer to Table 65 on page 113.



LD18200

FIGURE 35 - SINGLE POINT TERMINAL BLOCK

TABLE 65 - POWER PANEL FUSES AND CONTACTORS

DESCRIPTION	PART NUMBER
FUSE, 600V, CLASS CC, 10A	025-37618-000 025-34139-000
FUSE, 600V, CLASS CC, 12A	025-38396-000 025-34140-000
FUSE, 600V, CLASS CC, 15A	025-34141-000
FUSE, 600V, CLASS CC, 17-1/2A	025-34142-000
FUSE, 600V, CLASS CC, 20A	025-34142-000
FUSE, 600V, CLASS CC, 30A	025-39683-000
FUSE, 600V, CLASS J, 35A	025-36172-000 025-42822-253
FUSE, 600V, CLASS J, 45A	025-39349-000 025-40537-011
FUSE, 600V, CLASS J, 50A	025-36175-000 025-40537-012
FUSE, 600V, CLASS J, 60A	025-36176-000 025-40537-001
FUSE, 600V, CLASS J, 90A	025-36179-000 025-38344-000
FUSE, 600V, CLASS J, 100A	025-36180-000 025-40537-002
CONTACTOR, 3-POLE, 9A, 600V	024-34302-000
CONTACTOR, 3-POLE, 12A, 600V	024-34300-000
CONTACTOR, 3-POLE, 18A, 600V	024-34304-000
CONTACTOR, 32A, 110VAC COIL	024-34306-000
CONTACTOR, 3-POLE, 40A, 600V	024-37039-000
CONTACTOR, 3-POLE, 50A, 600V	024-37040-000
CONTACTOR, 3-POLE, 65A, 600V	024-37041-000
CONTACTOR, 3-POLE, 80A, 600V	024-34310-000
CONTACTOR, 3-POLE, 115A, 600V 110V COIL	029-23472-000 024-37042-000
CONTACTOR, 3-POLE, 150A, 600V	024-34294-000

TABLE 66 - EEV PANEL KIT

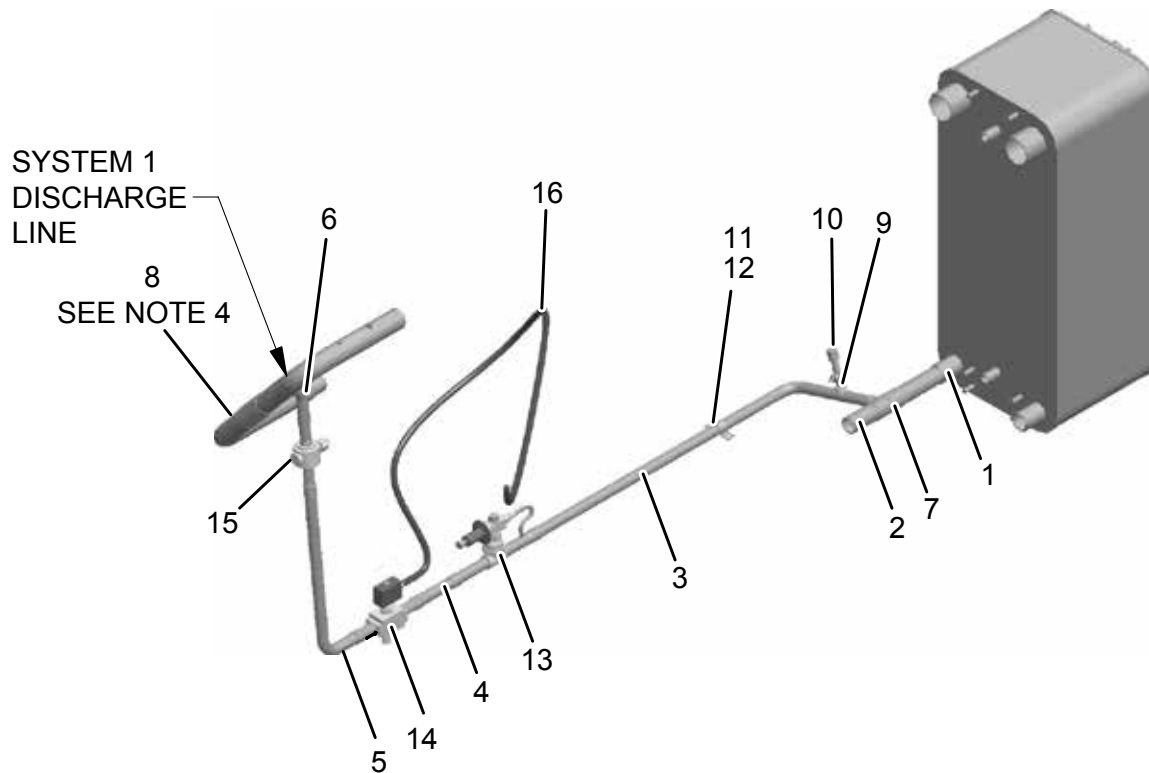
MODELS	PIN 9 =	PIN 32 = E
		PIN 14 = F
		PIN 24 = L
		PART NUMBER
YLAA0058, YLAA0065, YLAA0081, YLAA0092, YLAA0101, YLAA012	H	392-06140-003
YLAA0089, YLAA0100, YLAA0115, YLAA0120	S	
YLAA0070	S	392-06140-001
YLAA0080	S	392-06140-002
YLAA00136, YLAA0150, YLAA0155	S	392-06140-004
YLAA0142, YLAA0156	H	
YLAA0170	S	392-06140-005
YLAA0175	H	

TABLE 67 - HOT GAS BY-PASS STANDARD VALVES (PIN 32 = X)

ITEM	DESCRIPTION	MODEL	PART NUMBER	SAP NUMBER	FIGURE
1	Pipe Hot Gas By-Pass	YLAA0058	092-07688-802	1086371	36
		YLAA0065	092-07688-724	1071735	
		YLAA0070, YLAA0080, YLAA0089	092-07688-023	830254	
		YLAA0081	092-07688-724	1071735	
		YLAA0092-YLAA0101, YLAA0115, YLAA0120	092-07688-393	857615	
		YLAA0125-YLAA0175	092-07688-625	999458	
2	Tee SLD C X C X C 1-3/8 X	YLAA0058, YLAA0065, YLAA0092-YLAA0175	023-00289-000	371708	36
		YLAA0070 - YLAA0089	023-02680-000	731667	
3	Pipe, Hot Gas	YLAA0092 - YLAA0101	092-07688-395	857617	36
		YLAA0115, YLAA0120	092-07688-394	857616	
		YLAA125, YLAA0142	092-07688-628	999460	
		YLAA136, YLAA0150 - YLAA0175	092-07688-634	999463	
4	Pipe, Hot Gas By-Pass	YLAA0058	092-07688-725	1071736	36
		YLAA0065, YLAA0081	092-07688-795	1086365	
		YLAA0070, YLAA0080, YLAA0089	092-07688-022	830253	
		YLAA0092 - YLAA0120	092-07688-762	1073541	
		YLAA0125 - YLAA0175	092-07688-621	999454	
5	Valve Solenoid HGB-8	YLAA0058 - YLAA0175	025-40962-000	739962	36
6	Pipe Hot Gas By-Pass	YLAA0058	092-07688-791	1086361	36
		YLAA0065, YLAA0081	092-07688-793	1086363	
		YLAA0070, YLAA0080, YLAA0089	092-07688-717	1071670	
		YLAA0092 - YLAA0120	092-07688-763	1073542	
		YLAA0125 - YLAA0175	092-07688-622	999455	
7	Valve, Solenoid	YLAA0058 - YLAA0175	025-41558-000	739986	36
8	Pipe, Hot Gas By-Pass	YLAA0058 - YLAA0089	092-07688-761	1071737	36
		YLAA0092 - YLAA0120	092-07688-764	1073543	
		YLAA0125 - YLAA0175	092-07688-623	999456	
9	Valve Ball 7/8 OD (C X C)	YLAA0058 - YLAA0175	022-11742-000	731434	36
10	Pipe, Hot Gas By-Pass	YLAA0058 - YLAA0089	092-07688-718	1071731	36
		YLAA0092 - YLAA0101	092-07688-767	1073546	
		YLAA0115, YLAA0120	092-07688-766	1073545	
		YLAA0125	092-07688-630	999462	
		YLAA0136 - YLAA0175	092-07688-624	999457	
12	Bracket Hot Gas By-Pass Support	YLAA0058 - YLAA0120	092-07700-057	1071738	36
13	Clamp Tube 7/8 ID	YLAA0058 - YLAA0175	075-50979-078	518760	36
14	Tee SLD C X C X C 1-5/8 X	YLAA0092 - YLAA0125	023-02680-000	731667	36
		YLAA0136 - YLAA0175	023-02694-000	731670	
15	Pipe Hot Gas By-Pass	YLAA0058, YLAA0065	092-07688-792	1086362	36
		YLAA0070, YLAA0080, YLAA0089	092-07688-719	1071732	
		YLAA0081	092-07688-794	1086364	
19	Wiring Harness (1-YHGSV)	YLAA0058 - YLAA0175	575-72382-227	808306	*
20	Valve Stop Ang 1/4 NPTE X	YLAA0058 - YLAA0175	022-00009-000	257712	*
21	Bracket Tube Support	YLAA0125 - YLAA0175	092-07700-039	999468	*

TABLE 68 - HOT GAS BY-PASS EEV (PIN 32 = E)

ITEM	DESCRIPTION	MODEL	PART NUMBER	SAP NUMBER	FIGURE
1	Pipe EEV HGBP	YLAA0058	092-07688-800	1086369	36
		YLAA0065 - YLAA0089	092-07688-724	1071735	
		YLAA0092 - YLAA0120	092-07688-393	857615	
		YLAA0125 - YLAA0175	092-07688-625	999458	
2	Pipe, Hot Gas	YLAA0070	092-07688-398	857136	36
		YLAA0092 - YLAA0120	092-07688-395	857617	
		YLAA0125	092-07688-629	999461	
		YLAA0136 - YLAA0175	092-07688-628	999460	
3	Pipe Hot Gas By-Pass	YLAA0058	092-07688-801	1086370	36
		YLAA0080, YLAA0089	092-07688-725	1071736	
		YLAA0081	092-07688-796	1086366	
		YLAA0092 - YLAA0120	092-07688-762	1073541	
		YLAA0125 - YLAA0175	092-07688-621	999454	
4	Pipe Hot Gas By Pass	YLAA0065, YLAA0081	092-07688-793	1086363	36
		YLAA0070, YLAA0080, YLAA0089	092-07688-717	1071670	
		YLAA0092 - YLAA0120	092-07688-763	1073542	
		YLAA0125 - YLAA0175	092-07688-622	999455	
5	Pipe, Hot Gas By-Pass	YLAA0058 - YLAA0089	092-07688-761	1071737	36
		YLAA0092 - YLAA0120	092-07688-764	1073543	
		YLAA0125 - YLAA0175	092-07688-623	999456	
6	Pipe, Hot Gas By-Pass	YLAA0058 - YLAA0089	092-07688-718	1071731	36
		YLAA0092 - YLAA0101	092-07688-765	1073544	
		YLAA0115, YLAA0120	092-07688-766	1073545	
		YLAA0125 - YLAA0175	092-07688-624	999457	
7	Valve, Solenoid	YLAA0058- YLAA0120	025-41558-000	739986	36
8	Valve Solenoid HGB-8	YLAA0058 - YLAA0175	025-40962-000	739962	36
9	Valve Ball 7/8 OD (C X C)	YLAA0058 - YLAA0175	022-11742-000	731434	36
10	Pipe Hot Gas By Pass	YLAA0058, YLAA0065	092-07688-792	1086362	36
		YLAA0070, YLAA0080, YLAA0089	092-07688-719	1071732	
		YLAA0081	092-07688-794	1086364	
11	Tee SLD C X C X C 1-3/8 X	YLAA0058, YLAA0070	023-02713-000	731673	36
		YLAA0065, YLAA0081, YLAA0092-YLAA0175	023-00289-000	371708	
		YLAA0080, YLAA0089	023-02714-000	731674	
12	Bracket Hot Gas Bypass Support	YLAA0058 - YLAA0120	092-07700-057	1071738	36
13	Clamp Tube 7/8 ID	YLAA0058 - YLAA0175	075-50979-078	518760	36
14	Tee SLD C X C X C 1-5/8 X	YLAA0070 - YLAA0120	023-02680-000	731667	36
		YLAA0125 - YLAA0175	023-02694-000	731670	
19	Wiring Harness (1-YHGSV)	YLAA0058 - YLAA0175	575-72382-227	808306	*
20	Valve Stop Ang 1/4 NPTE X	YLAA0058 - YLAA0175	022-00009-000	257712	*
21	Bracket Tube Support	YLAA0125 - YLAA0175	092-07700-039	999468	*



LD16782

NOTES:

1. Harness should not come in contact with hot piping or compressor housing.
2. Process per M-166
3. Braze all copper to copper joints per MOS-15-2-16 (item 14).
4. Use only dry nitrogen inside tubing and joints for all brazing. Do not immerse joints in water for cooling.
5. Locate and cut discharge line to install tee.
6. When installing hot gas valve, the arrow on the valve must point in direction of expansion valve as shown.

FIGURE 36 - HOT GAS BY-PASS

TABLE 69 - LOW AMBIENT STANDARD KIT

ITEM	DESCRIPTION	MODEL	PART NUMBER	SAP NUMBER	FIGURE
2	Kit, Cable	YLAA0058 - YLAA092	375-83361-301	795488	*
		YLAA0100	392-07698-341	844142	
		YLAA0101	392-07698-342	856402	
		YLAA0115, YLAA0120	392-07698-301	817392	
		YLAA0125, YLAA150 - YLAA0175	392-07698-304	961134	
		YLAA0136	392-07698-305	961135	
		YLAA142	392-07698-303	961133	
3	Kit, Low Amb Sys #1	YLAA0058 - YLAA0089	575-72382-234	631203	38
		YLAA0092 - YLAA0175	575-72382-233	808311	
4	Kit, Low Amb Sys #2	YLAA0058, YLAA0065, YLAA0081	575-72382-769	1084079	38
		YLAA0070, YLAA0080, YLAA0089	575-72382-236	808312	
		YLAA0092 - YLAA0120	575-72382-235	631204	
		YLAA0125 - YLAA0155	575-72382-237	808313	
		YLAA0156 - YLAA0175	575-72382-238	808314	
8	Harness Sys #1 Low Amb Kit	YLAA0058 - YLAA0120	575-72382-239	808315	38
9	Harness Sys #2 Low Amb Kit	YLAA0058 - YLAA0100, YLAA0115, YLAA0120, YLAA0142	575-72382-240	808316	38
10	Harness Sys #1 Low Amb Kit	YLAA0058 - YLAA0120	575-72382-241	808317	38
11	Harness Sys #2 Low Amb Kit	YLAA0058 - YLAA0100, YLAA0115, YLAA0120, YLAA0142	575-72382-242	808318	38
12	Hsg Connr Plug Mini 3 Ckt Nat	YLAA0058 - YLAA0100, YLAA0115, YLAA0120, YLAA0142	025-29185-000	62736	*
14	Valve Solenoid 3/8" Odf Conn	YLAA0058 - YLAA0175	025-42198-000	435830	38
15	Connr, Conduit Flex Angle	YLAA0058 - YLAA0120, YLAA0142	025-31316-000	435091	*
16	VFD66 Control Fan Speed	YLAA0058 - YLAA0120, YLAA0142	024-35393-102	736280	*
17	Support Low Ambient	YLAA0058 - YLAA0175	075-55889-049	445829	38
18	Cover Low Ambient	YLAA0058 - YLAA0175	075-55889-050	445830	38
40	Red Sld Ftg X C 1/2 X 3/8	YLAA0058 - YLAA0175	023-00208-000	435831	38
41	Support Pipe Low Amb	YLAA0058 - YLAA0175	075-74862-019	435840	38
48	Cover Capacitor Low Amb	YLAA0058 - YLAA0175	075-55889-051	446031	37
50	Heater, TXV	YLAA0100 - YLAA0175	025-42228-000	445740	37
101	Harness Sys #1 Low Amb Kit	YLAA0058 - YLAA0120	575-72382-316	446415	37
102	Harness Sys #2 Low Amb Kit	YLAA0058 - YLAA0100, YLAA0115, YLAA0120, YLAA0142	575-72382-317	446416	37
103	Wiring Harness 2 Conductor	YLAA0115, YLAA0120, YLAA0125, YLAA0142 - YLAA0175	575-72382-339	817418	37
104	Wiring Harness 2 Conductor	YLAA0100, YLAA0115 - YLAA0175	575-72382-340	817419	37
	Wiring Harness 2 Conductor	YLAA0101	575-72382-319	808356	
105	Transformer Class 2	YLAA0100 - YLAA0175	025-27911-000	1312	37
106	Terminal	YLAA0100 - YLAA0175	025-39405-000	445012	37
107	Terminal, End Bracket	YLAA0100 - YLAA0175	025-39406-000	739625	37
108	Din Rail 6" Lg	YLAA0100 - YLAA0175	025-41733-000	445014	37

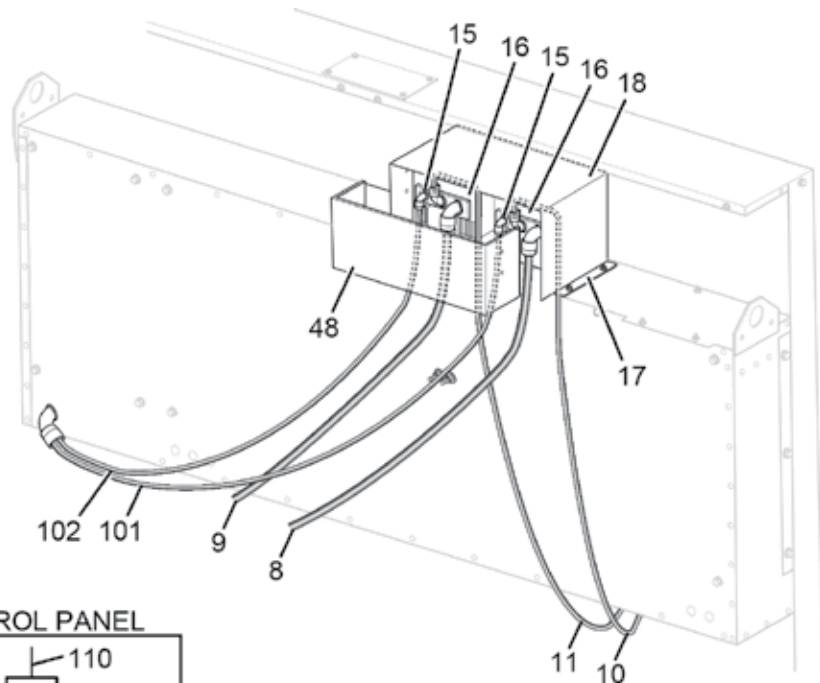
TABLE 69 - LOW AMBIENT STANDARD KIT (CONT'D)

ITEM	DESCRIPTION	MODEL	PART NUMBER	SAP NUMBER	FIGURE
109	TXW Htr Trans	YLAA0100 - YLAA0175	575-82818-001	446420	37
110	TXW Htr Trans	YLAA0100 - YLAA0175	575-82818-002	446421	37
111	TXW Htr Trans	YLAA0100 - YLAA0175	575-82818-003	446422	37
112	TXW Htr Trans	YLAA0100 - YLAA0175	575-82818-004	446423	37
113	Jumper (2 Pos)	YLAA0115, YLAA0120, YLAA0125, YLAA0142 - YLAA0175	025-37678-000	445015	37

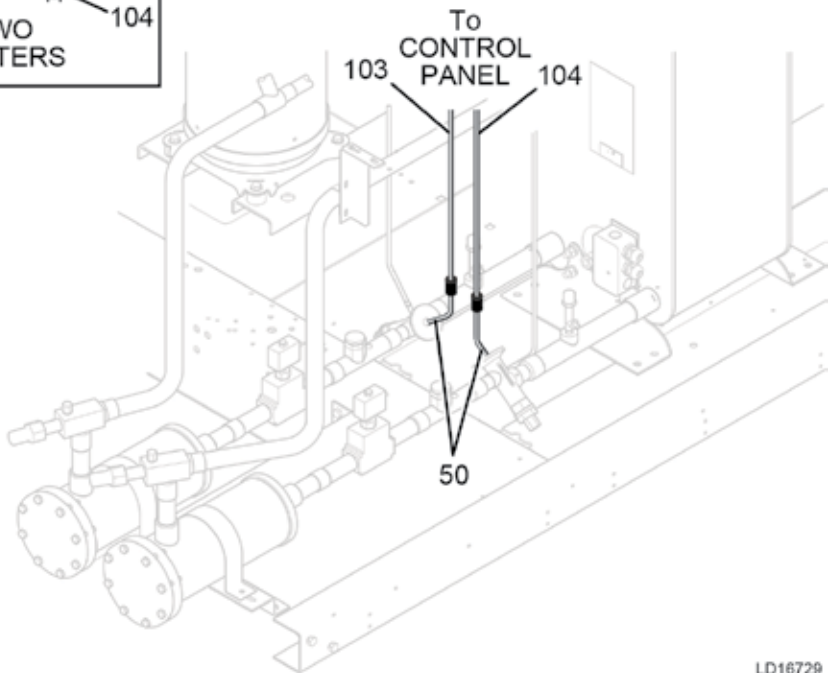
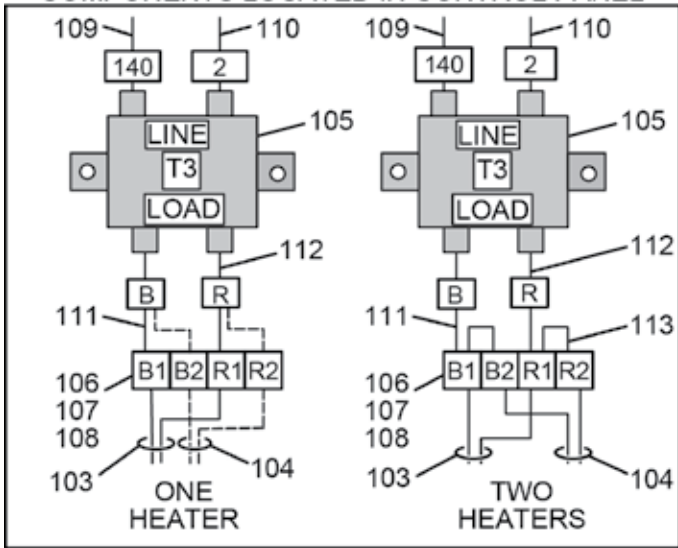
NOTE: Items with an * are NOT represented.

TABLE 70 - LOW AMBIENT EXPANSION VALVE

ITEM	DESCRIPTION	MODEL	PART NUMBER	SAP NUMBER	FIGURE
2	Kit, Cable	YLAA0058 - YLAA0100, YLAA0115, YLAA0120	375-83361-301	795488	*
		YLAA0101	392-07698-322	856401	
		YLAA0142	392-07698-323	961136	
3	Kit, Low Amb Sys #1	YLAA0058 - YLAA0089	575-72382-234	631203	38
		YLAA0092 - YLAA0175	575-72382-233	808311	
4	Kit, Low Amb Sys #2	YLAA0058, YLAA0065, YLAA0081	575-72382-769	1084079	38
		YLAA0070, YLAA0080, YLAA0089	575-72382-236	808312	
		YLAA0092 - YLAA0120	575-72382-235	631204	
		YLAA0125 - YLAA0155	575-72382-237	808313	
		YLAA0156 - YLAA0175	575-72382-238	808314	
8	Harness Sys#1 Low Amb Kit	YLAA0058 - YLAA0120	575-72382-239	808315	37
9	Harness Sys#2 Low Amb Kit	YLAA0058 - YLAA0100, YLAA0115, YLAA0120, YLAA0142	575-72382-240	808316	37
10	Harness Sys#1 Low Amb Kit	YLAA0058 - YLAA0120	575-72382-241	808317	37
11	Harness Sys#2 Low Amb Kit	YLAA0058 - YLAA0100, YLAA0115, YLAA0120, YLAA0142	575-72382-242	808318	37
12	HSG Connr Plug Mini 3 Ckt Nat	YLAA0058 - YLAA0120, YLAA0142	025-29185-000	62736	*
14	Valve Solenoid 3/8" ODF Conn	YLAA0058 - YLAA0175	025-42198-000	435830	38
15	Connr, Conduit Flex Angle	YLAA0058 - YLAA0120, YLAA0142	025-31316-000	435091	37
16	VFD66 Control Fan Speed	YLAA0058 - YLAA0120, YLAA0142	024-35393-102	736280	37
17	Support Low Ambient	YLAA0058 - YLAA0175	075-55889-049	445829	37
18	Cover Low Ambient	YLAA0058 - YLAA0175	075-55889-050	445830	37
40	Red Sld Ftg X C 1/2 X 3/8	YLAA0058 - YLAA0175	023-00208-000	435831	38
41	Support Pipe Low Amb	YLAA0058 - YLAA0175	075-74862-019	435840	38
42	Clamp Tube 3/8 OD With	YLAA0058 - YLAA0175	023-06552-000	146424	38
48	Cover Capacitor Low Amb	YLAA0058 - YLAA0175	075-55889-051	446031	37
50	Heater, TXV	YLAA0101	025-42228-000	445740	37
101	Harness Sys#1 Low Amb Kit	YLAA0058 - YLAA0120	575-72382-316	446415	*
102	Harness Sys#2 Low Amb Kit	YLAA0058 - YLAA0100, YLAA0115, YLAA0120, YLAA0142	575-72382-317	446416	*

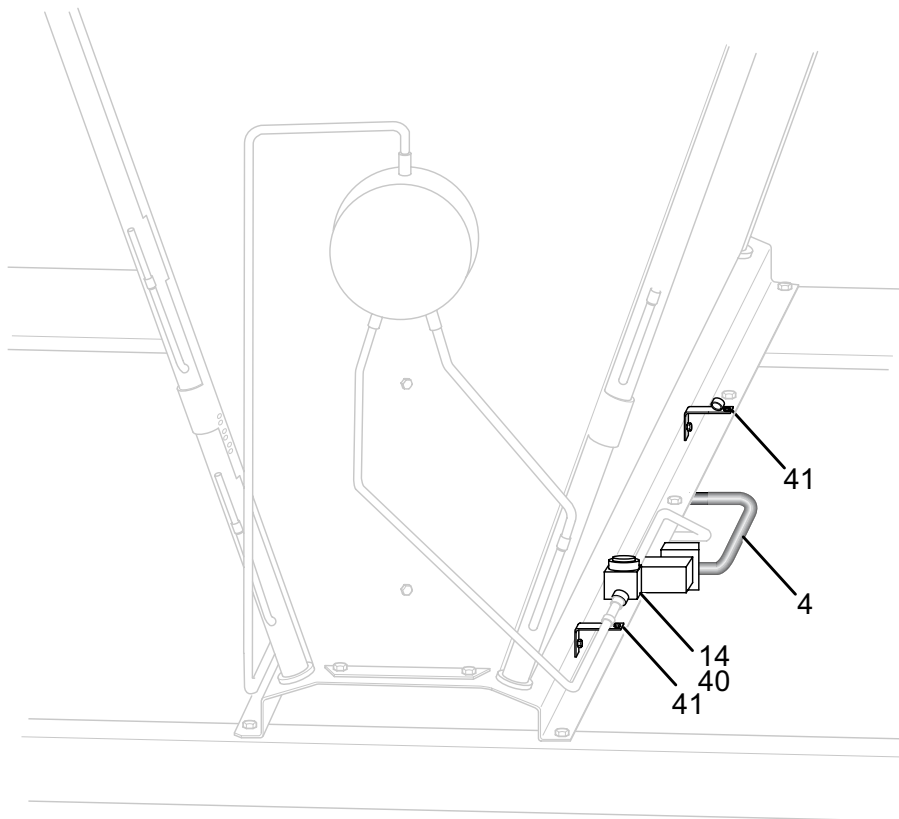
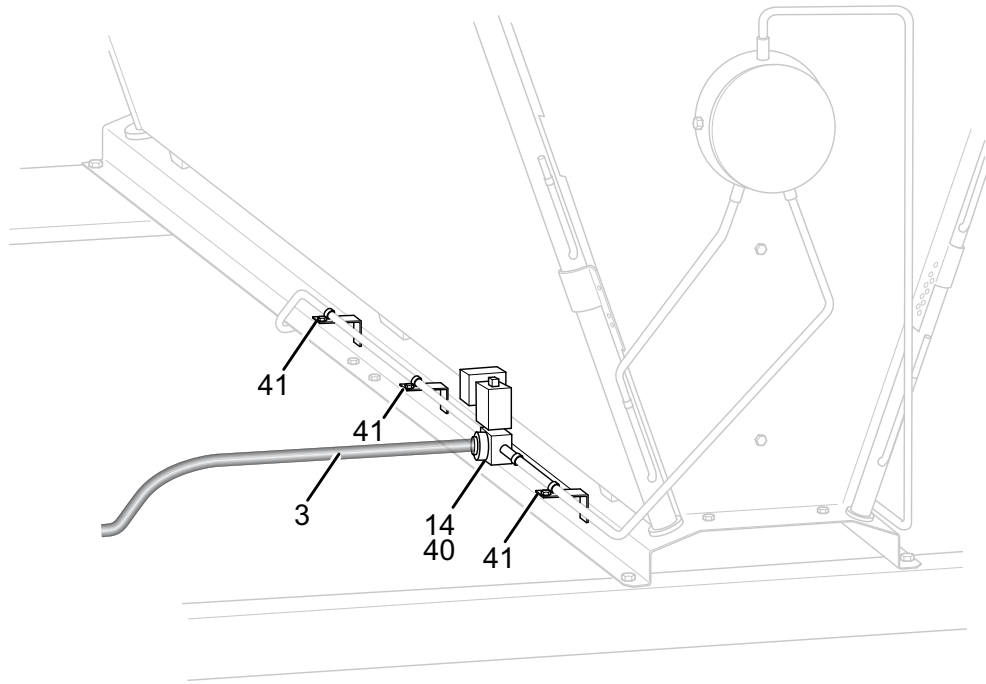


COMPONENTS LOCATED IN CONTROL PANEL



LD16729

FIGURE 37 - LOW AMBIENT KIT



LD16736

FIGURE 38 - LOW AMBIENT KIT

TABLE 71 - LOW AMBIENT WIRING HARNESS DETAILS

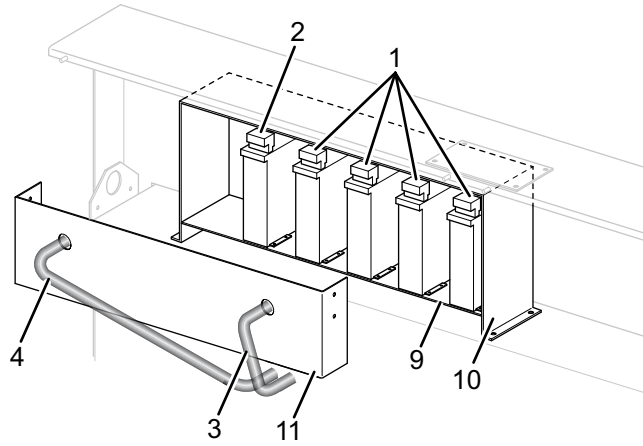
ITEM	DESCRIPTION	PART NUMBER	SAP	QUANTITY
1	Kit, Low Ambient Sys #1 (1-YSEV)	575-72382-234	631203	-
	Connector, 3/8" 90deg Angle (Panel End)	025-31315-000	618164	1
	Conduit, 3/8"	025-31302-000	618155	46"
	Connector, 3/8" Straight (Sensor End)	025-31309-000	117547	1
	Connector, Din Plug 43650 w/ Suppressor (Sensor End)	025-37876-000	117987	1
1	Kit, Low Ambient Sys #1 (1-YESV)	575-72382-233	808311	-
	Connector, 3/8" 90deg Angle (Panel End)	025-31315-000	618164	1
	Conduit, 3/8"	025-31302-000	618155	29"
	Connector, 3/8" Straight (Sensor End)	025-31309-000	117547	1
	Connector, Din Plug 43650 w/ Suppressor (Sensor End)	025-37876-000	117987	1
2	Kit, Low Ambient Sys #1 (2-YESV)	575-72382-235	631204	-
	Connector, 3/8" 90deg Angle (Panel End)	025-31315-000	618164	1
	Conduit, 3/8"	025-31302-000	618155	172"
	Connector, 3/8" Straight (Sensor End)	025-31309-000	117547	1
	Connector, Din Plug 43650 w/ Suppressor (Sensor End)	025-37876-000	117987	1
2	Kit, Low Ambient Sys #1 (2-YESV)	575-72382-236	808312	-
	Connector, 3/8" 90deg Angle (Panel End)	025-31315-000	618164	1
	Conduit, 3/8"	025-31302-000	618155	165"
	Connector, 3/8" Straight (Sensor End)	025-31309-000	117547	1
	Connector, Din Plug 43650 w/ Suppressor (Sensor End)	025-37876-000	117987	1
3	Harness, Sys #1 Low Ambient Kit (Sys #1)	575-72382-239	808315	-
	Connector, 1/2" 90deg Angle	025-31316-000	435091	1
	Conduit, 1/2"	025-30473-000	618151	50"
	Connector, 1/2" 90deg Angle (Sys #1 Inverter)	025-31316-000	435091	1
4	Harness, Sys #2 Low Ambient Kit (Sys #2)	575-72382-240	808316	-
	Connector, 1/2" 90deg Angle	025-31316-000	435091	1
	Conduit, 1/2"	025-30473-000	618151	60"
	Connector, 1/2" 90deg Angle (Sys #2 Inverter)	025-31316-000	435091	1
5	Harness, Sys #1 Low Ambient Kit (Sys #1 Inv/Pnl)	575-72382-241	808317	-
	Connector, 1/2" 90deg Angle (Power Panel)	025-31316-000	435091	1
	Conduit, 1/2"	025-30473-000	618151	49"
	Connector, 1/2" 90deg Angle (Sys #1 Inverter)	025-31316-000	435091	1
6	Harness, Sys #2 Low Ambient Kit (Sys #2 Inv/Pnl)	575-72382-242	808318	-
	Connector, 1/2" 90deg Angle (Power Panel)	025-31316-000	435091	1
	Terminal Pin (Panel End)	025-39452-000	833378	3
	Conduit, 1/2"	025-30473-000	618151	60"
	Connector, 1/2" 90deg Angle (Sys #1 Inverter)	025-31316-000	435091	1
7	Harness, Sys #1 Low Ambient Kit (Sys #1 Low Ambient)	575-72382-316	446415	-
	Housing, Connector Plug Mini	0205-29185-000	62736	1
	Mini Univ Socket (P17)	025-28386-000	737925	3
	3 Conductor Shielded Wire	025-30463-003	738503	84"
8	Harness, Sys #1 Low Ambient Kit (Sys #2 Inverter)	575-72382-317	446416	-
	Mini Univ Socket (P19)	025-28386-000	737925	3
	3 Conductor Shielded Wire	025-30463-003	738503	74"

TABLE 71 - LOW AMBIENT WIRING HARNESS DETAILS (CONT'D)

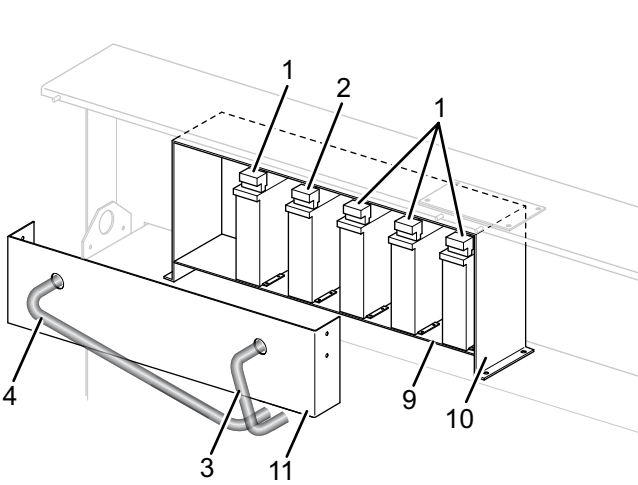
ITEM	DESCRIPTION	PART NUMBER	SAP	QUANTITY
9	Harness, 2 Conductor (TXV Heater Sys #1)	575-72382-339	817418	-
	2 Conductor Shielded Wire	025-30463-002	738502	104"
	Collar	025-28957-000	117435	2
	Contact Receptacle	025-28952-000	260	2
	Plug, Connector (TXV Heater End)	025-28951-000	62724	1
10	Harness, 2 Conductor (TXV Heater Sys #2)	575-72382-340	817419	-
	2 Conductor Shielded Wire	025-30463-002	738502	104"
	Collar	025-28957-000	117435	2
	Contact Receptacle	025-28952-000	260	2
	Plug, Connector (TXV Heater End)	025-28951-000	62724	1
10	Harness, 2 Conductor (TXV Heater Sys #2)	575-72382-319	808356	-
	2 Conductor Shielded Wire	025-32060-002	738502	40"
	Collar	025-28957-000	117435	2
	Contact Receptacle	025-28952-000	260	2
	Plug, Connector (TXV Heater End)	025-28951-000	62724	1
11	TXW HTR Trans	575-82818-001	446420	-
	Wire, #18 AWG Black	025-34003-000	738968	30"
	1/4" Insulated Stright Push-On	025-21156-000	618100	1
12	TXW HTR Trans	575-82818-002	446421	-
	Wire, #18 AWG Black	025-34003-000	738968	46"
	1/4" Insulated Straight Push-On	025-21156-000	618100	1
13	TXW HTR Trans	575-82818-003	446422	-
	Wire, #18 AWG Black	025-34003-000	738968	8"
	1/4" Insulated Straight Push-On	025-21156-000	618100	1
14	TXW HTR Trans	575-82818-004	446423	-
	Wire, #18 AWG Black	025-34003-000	738968	8"
	1/4" Insulated Straight Push-On	025-21156-000	618100	1

TABLE 72 - POWER FACTOR CAPACITOR

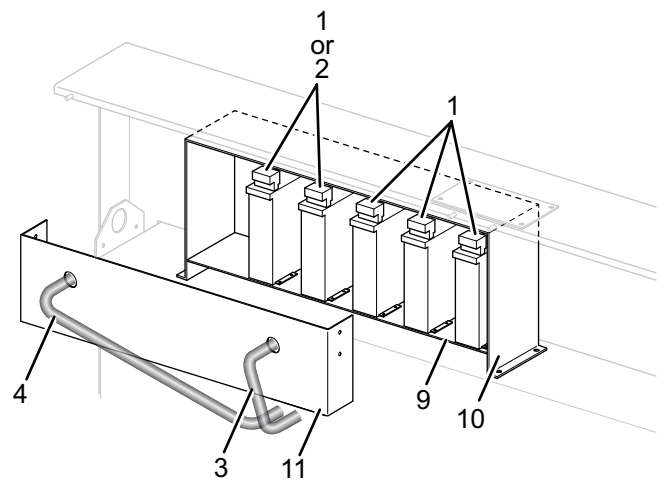
ITEM	DESCRIPTION	MODEL	VOLT	PART NUMBER	SAP NUMBER	FIGURE			
1	Capacitor Power Factor	YLAA0058, YLAA0080 - YLAA0101	17, 28	024-31615-000	735852	39			
			40, 46	024-31622-000	995989				
			58	024-31628-000	995990				
		YLAA0065, YLAA0070	17, 28	024-38446-004	1085167				
			40, 46	024-31620-000	830265				
			58	024-38450-004	1085170				
		YLAA00115 - YLAA0125, YLAA0150 - YLAA175	17, 28	024-31617-000	735854				
			40, 46	024-31626-000	735857				
			58	024-31631-000	735860				
		YLAA00136, YLAA0142	17,28	024-38446-003	995998				
			40, 46	024-38449-002	996011				
			58	024-38450-003	996014				
2	Capacitor Power Factor	YLAA0065, YLAA0136, YLAA0142	17, 28	024-31615-000	735852	39			
			40, 46	024-31622-000	995989				
			58	024-31628-000	995990				
		YLAA0080, YLAA0081	17, 28	024-38446-004	1085167				
			40, 46	024-31620-000	830265				
			58	024-38450-004	1085170				
		YLAA0100, YLAA0101	17, 28	024-31617-000	735854				
			40, 46	024-38449-002	996011				
			58	024-38450-003	996014				
		3	PFC Sys #1 (2 Compr System)	YLAA0058, YLAA0115 - YLAA0125	17, 28		575-72382-071	535467	39
					40, 46, 58		575-72382-071	535467	
			PFC Sys #1 (3 Compr System)	YLAA0065 - YLAA0101, YLAA0136 - YLAA0175	17,28, 40, 46, 58		575-72382-069	808194	
4	PFC Sys #2 (2 Compr System)	YLAA0058, YLAA0065, YLAA0100 - YLAA0125, YLAA0150, YLAA0156	17,28, 40, 46, 58	575-72382-072	535468	39			
	PFC Sys #2 (3 Compr System)	YLAA0070 - YLAA0092, YLAA0136, YLAA0142, YLAA0170, YLAA0175	17,28, 40, 46, 58	575-72382-070	808195				
9	Support Capacitors Power	YLAA0058 - YLAA0175	17,28, 40, 46, 58	075-71079-005	535469	39			
10	Cover Capacitor Power Factor	YLAA0058 - YLAA0175	17,28, 40, 46, 58	075-71079-006	535470	39			
11	Cover Capacitor Power Factor	YLAA0058 - YLAA0175	17,28, 40, 46, 58	075-71079-007	535494	39			



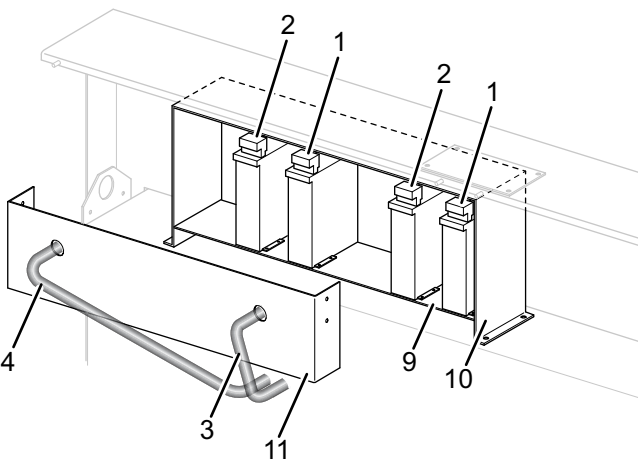
YLAA0135, YLAA0141



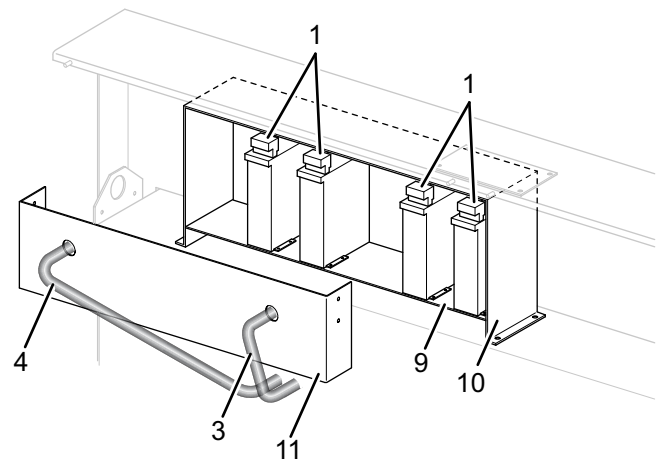
YLAA0090



**YLAA0065, YLAA0100, YLAA0101,
YLAA0150, YLAA0155**



YLAA0091



YLAA0058, YLAA0115, YLAA0120

LD16727

FIGURE 39 - POWER FACTOR CAPACITOR

TABLE 73 - HEAT RECOVERY ASSEMBLY

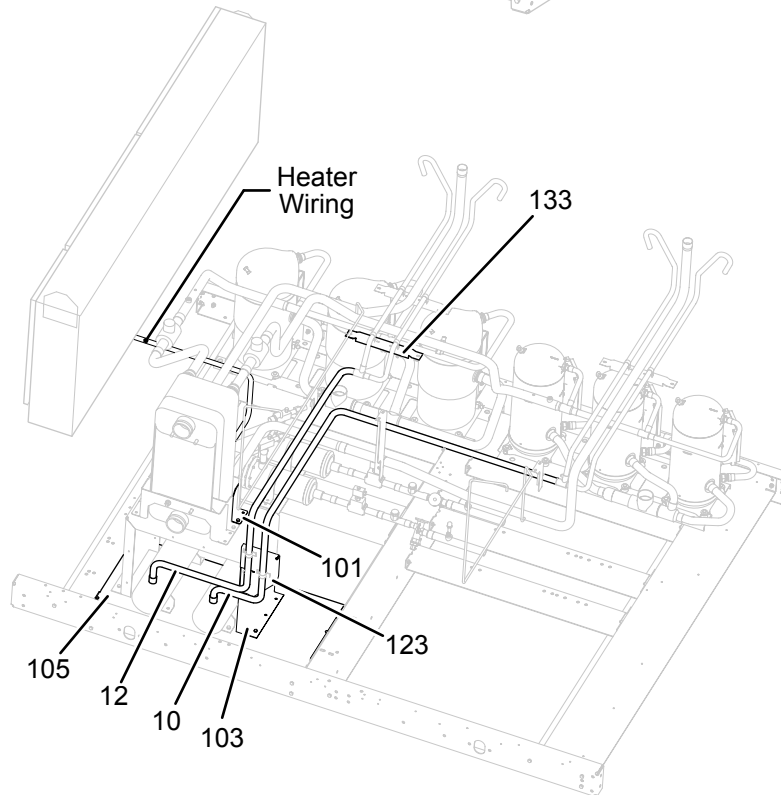
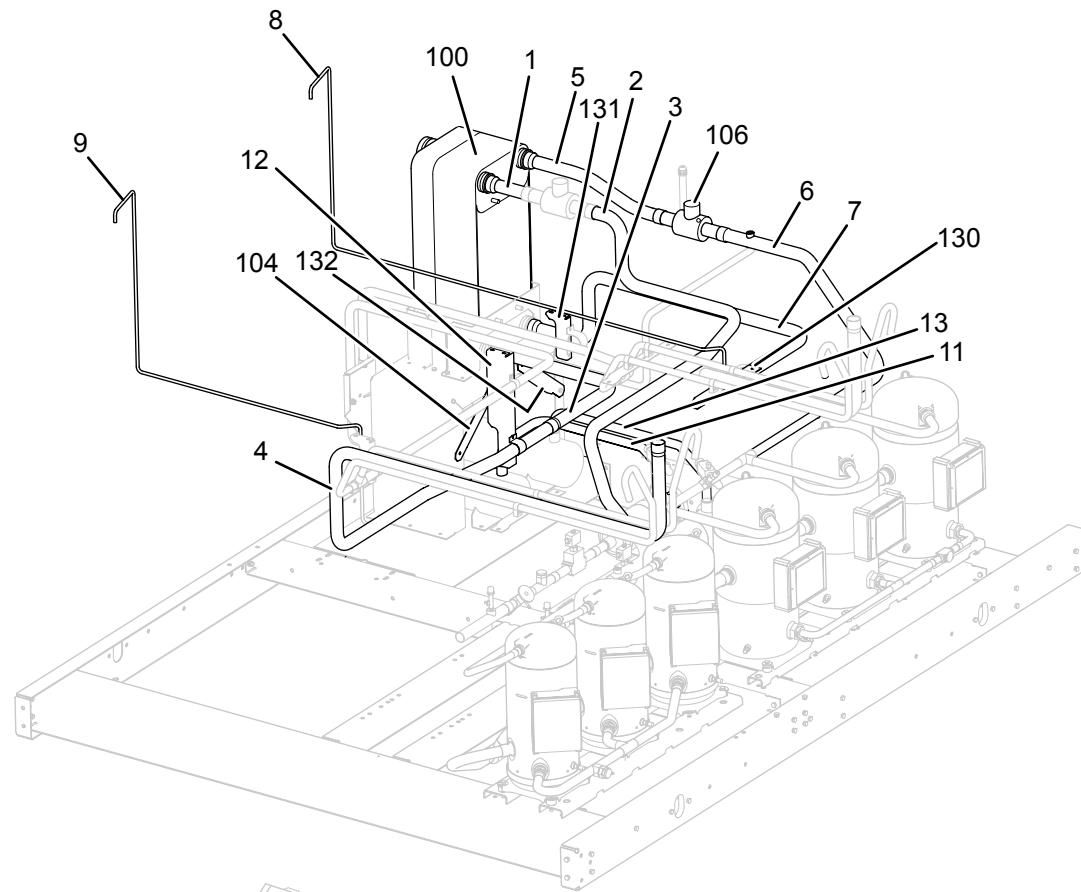
ITEM	DESCRIPTION	MODEL	PART NUMBER	SAP NUMBER	FIGURE
1	Line Discharge HR System 2	YLAA0070, YLAA0080, YLAA0089	092-07688-166	845294	40, 41
		YLAA0092 - YLAA0136	075-82895-000	758902	
	Line Discharge HR System 1	YLAA0142 - YLAA0175	092-07688-337	856087	
2	Line Discharge HR System 2	YLAA0070, YLAA0080, YLAA0089	092-17420-004	1088148	40, 41
	Line Discharge HR System 1 & 2	YLAA0092 - YLAA0120	092-07688-774	1084547	
	Line Discharge HR System 1	YLAA0125, YLAA0136	092-07688-311	856073	
		YLAA0142 - YLAA0175	092-07688-338	856088	
3	Line Discharge HR System 2	YLAA0070, YLAA0080, YLAA0089	092-07688-165	845293	40, 41
		YLAA0092	092-07688-784	1084717	
		YLAA0100 - YLAA0120	092-07688-779	1084712	
	Line Discharge HR System 1	YLAA0125, YLAA0136	092-07688-310	856072	
		YLAA0142 - YLAA0175	092-07688-339	856089	
4	Line Disch HR System 2	YLAA0070, YLAA0080, YLAA0089	092-17420-007	1088149	40
	Line Discharge HR System 1	YLAA0092 - YLAA0101	092-07688-773	1084546	
		YLAA0115, YLAA0120	092-07688-782	1084715	
	Line Discharge HR System 2	YLAA0150 - YLAA0156	075-82895-000	758902	
5	Line Disch HR System 1	YLAA0070, YLAA0080, YLAA0089	092-07688-169	845297	40, 41
		YLAA0092 - YLAA0101	092-17420-001	1084726	
		YLAA0115, YLAA0120	092-07688-783	1084716	
	Line Discharge HR System 2	YLAA0125, YLAA0150 - YLAA156	092-07688-308	856070	
		YLAA0136, YLAA0142	092-07688-643	1034676	
YLAA0170, YLAA0175	092-07688-332	856082			
6	Line Disch HR System 1	YLAA0070, YLAA0080, YLAA0089	092-17420-003	1088147	40
	Line Discharge HR System 2	YLAA0092, YLAA0100, YLAA0115, YLAA0120	092-07688-291	856024	
		YLAA0101	092-07688-317	856078	
7	Line Discharge HR System 1	YLAA0070, YLAA0080, YLAA0089	092-07688-168	845296	40, 41
	Line Discharge HR System 2	YLAA0092, YLAA0100, YLAA0115, YLAA0120	092-07688-785	1084718	
		YLAA0101	092-07688-786	1084719	
	Line Discharge HR System 1	YLAA0125, YLAA0136, YLAA0150, YLAA0155	092-07688-613	1034673	
		YLAA0142, YLAA0156 - YLAA0175	092-07688-592	993315	
8	Line Hot Gas Sys 1	YLAA0070, YLAA0080, YLAA0089	092-07688-172	845300	40
	Line Discharge HR System 2	YLAA0092, YLAA0100, YLAA0115, YLAA0120	092-07688-292	856025	
		YLAA0101	092-07688-315	856076	
	Line Discharge HR System 1	YLAA0125, YLAA0136, YLAA0150, YLAA0155	092-07688-612	1034672	
	Line Discharge HR System 1	YLAA0142, YLAA0156 - YLAA0175	092-07688-594	993317	
9	Line Discharge HR System 2	YLAA0070, YLAA0080, YLAA0089	092-17420-008	1088150	40, 41
		YLAA0092 - YLAA0120	092-07688-787	1084720	
	Line Discharge HR System 1	YLAA0125, YLAA0136, YLAA0150, YLAA0155	092-07688-614	1034674	
		YLAA0142, YLAA0156 - YLAA0175	092-07688-595	993318	

TABLE 73 - HEAT RECOVERY ASSEMBLY (CONT'D)

ITEM	DESCRIPTION	MODEL	PART NUMBER	SAP NUMBER	FIGURE
10	Liquid Line 1-1/8" HR	YLAA0070, YLAA0080, YLAA0089	092-07688-160	845020	40, 41
	Line Discharge HR System 1	YLAA0092 - YLAA0120	092-07688-775	1084548	
	Line Discharge HR System 2	YLAA0125, YLAA0136, YLAA0150, YLAA0155	092-07688-615	1034675	
		YLAA0142	092-07688-645	1034677	
		YLAA0156	092-07688-593	993316	
YLAA0170, YLAA0175		092-07688-596	993319		
11	Liquid Line 1-1/8" HR	YLAA0070, YLAA0080, YLAA0089	092-07688-163	845291	40, 41
	Line Discharge HR System 1	YLAA0092 - YLAA0120	092-07688-776	1084549	
12	Liquid Line 1-1/8" HR	YLAA0070, YLAA0080, YLAA0089	092-07688-159	845019	40, 41
	Line Discharge HR System 1	YLAA0092 - YLAA0101	092-07688-778	1084711	
		YLAA0115, YLAA0120	092-07688-781	1084714	
13	Liquid Line 1-1/8" HR	YLAA0070, YLAA0080, YLAA0089	092-07688-164	845292	40, 41
	Line Discharge HR System 1	YLAA0092 - YLAA0120	092-07688-772	1084545	
	Line Liquid HR System 1	YLAA0125	092-07688-609	1034520	
		YLAA0136 - YLAA0155	092-07688-605	1034516	
		YLAA0156 - YLAA0175	092-07688-591	993314	
100	Heat Exchanger DB400-102	YLAA0070, YLAA0080, YLAA0089	375-84467-100	552463	40, 41
	Heat Exchanger 102 Plate		026-45615-102	409781	
	Heater 120 Volts, 35 Watts		025-42878-000	740166	
	Insulation Heat Exchanger		075-83052-001	401794	
	Insulation Heat Exchanger		075-83052-002	401796	
	Heat Exchanger 102 Plate	YLAA0092 - YLAA0120	026-45615-102	409781	
	Heat Exchanger Sub Assy 130 PI	YLAA0125 - YLAA0142	375-84467-200	552464	
	Heat Exchanger 130 Plate		026-45615-130	427752	
	Heater 120 Volts, 35 Watts		025-42878-000	740166	
	Insulation Heat Exchanger		075-83052-001	401794	
	Insulation Heat Exchanger		075-83052-002	401796	
	Heat Exchanger Sub Assy 162 PI	YLAA0150 - YLAA0175	375-84467-300	552465	
	Heat Exchanger 162 Plate		026-45615-162	629537	
	Heater 120 Volts, 35 Watts		025-42878-000	740166	
	Insulation Heat Exchanger		075-83052-001	401794	
	Insulation Heat Exchanger		075-83052-002	401796	
101	Bracket Support Heat Exchanger	YLAA0070 - YLAA0175	075-76401-000	394590	40
103	Bracket Heat Exchanger	YLAA0070, YLAA0080, YLAA0089	092-07700-020	845317	40, 41
		YLAA0092 - YLAA0175	092-07700-024	856111	
104	Brace Support Heat Exchanger	YLAA0070 - YLAA0120	092-07700-060	1084722	40
		YLAA0125 - YLAA0175	092-07700-018	845315	
105	Beam Support Heat Exchanger	YLAA0070, YLAA0080, YLAA0089	092-07700-015	845314	40, 41
		YLAA0092 - YLAA0175	092-07700-023	856110	
106	Bracket Pipe Support	YLAA0092 - YLAA0120	092-07700-069	1084724	40, 41
		YLAA0125 - YLAA0175	092-07700-019	845316	
107	Bracket Pipe Support	YLAA0070 - YLAA0120	092-07700-059	1084721	*

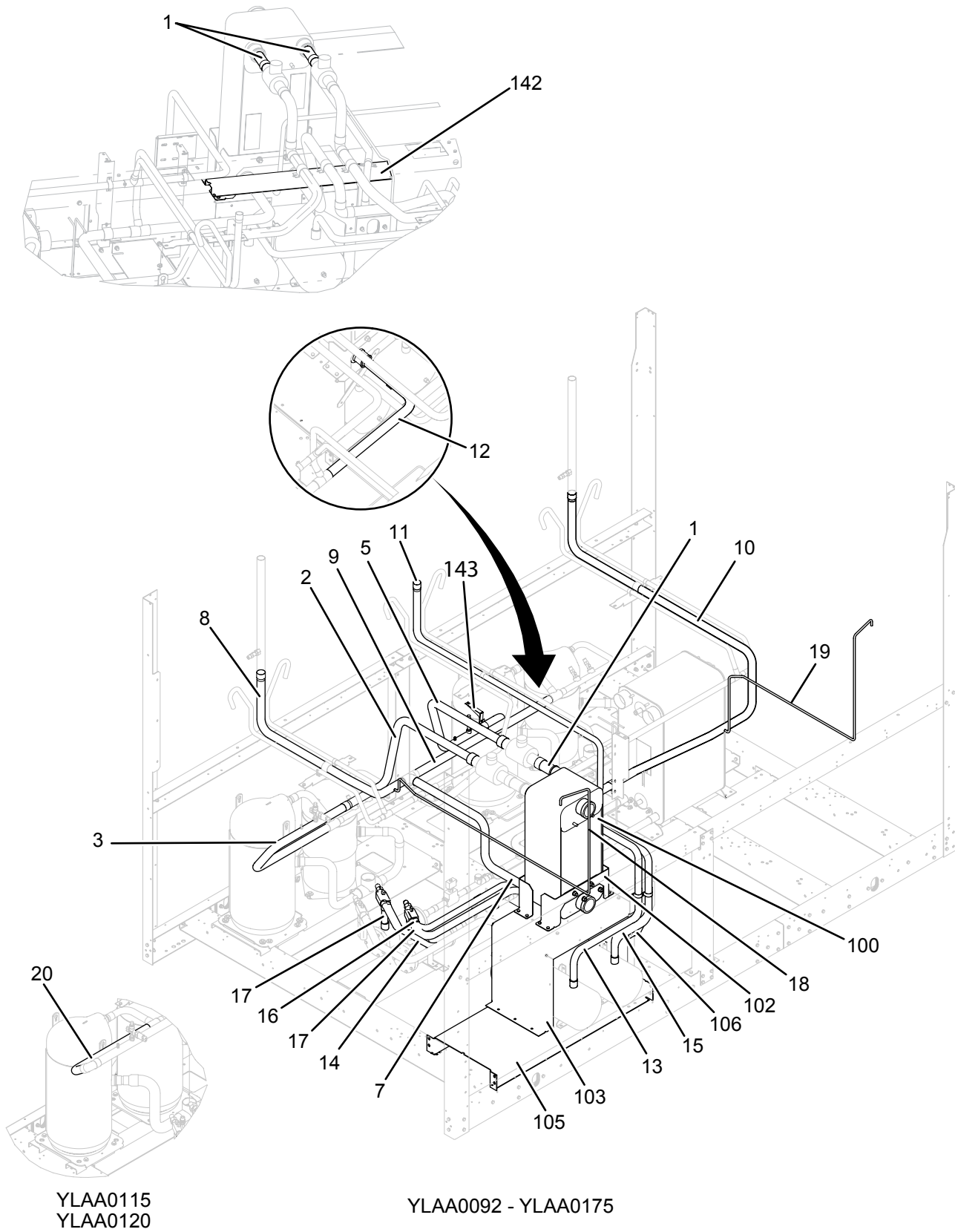
TABLE 73 - HEAT RECOVERY ASSEMBLY (CONT'D)

ITEM	DESCRIPTION	MODEL	PART NUMBER	SAP NUMBER	FIGURE
122	Bracket Pipe Support	YLAA0070 - YLAA0120	075-75051-008	845018	*
130	Rail Support, Sys 2 HR	YLAA0070, YLAA0080, YLAA0089	092-19966-001	1088167	40
131	Bracket Pipe Support	YLAA0070, YLAA0080, YLAA0089	092-19966-002	1088168	40
		YLAA0125 - YLAA0175	092-07700-030	899779	
132	Bracket Pipe Support	YLAA0070, YLAA0080, YLAA0089	092-19966-003	1088169	40
133	Bracket Pipe Support	YLAA0070, YLAA0080, YLAA0089	092-19966-005	1088170	40
141	Bracket Pipe Support	YLAA0092 - YLAA0120	075-75051-000	757570	*
142	Bracket Pipe Support	YLAA0092 - YLAA0120	092-07700-063	1084723	41
143	Bracket Pipe Support	YLAA0092 - YLAA0120	092-07700-070	1084725	41



LD18113

FIGURE 40 - HEAT RECOVERY ASSEMBLY (YLAA0070, YLAA0080, YLAA0089)



YLAA0115
YLAA0120

YLAA0092 - YLAA0175

LD18114

FIGURE 41 - HEAT RECOVERY ASSEMBLY (YLAA0092 - YLAA0175)

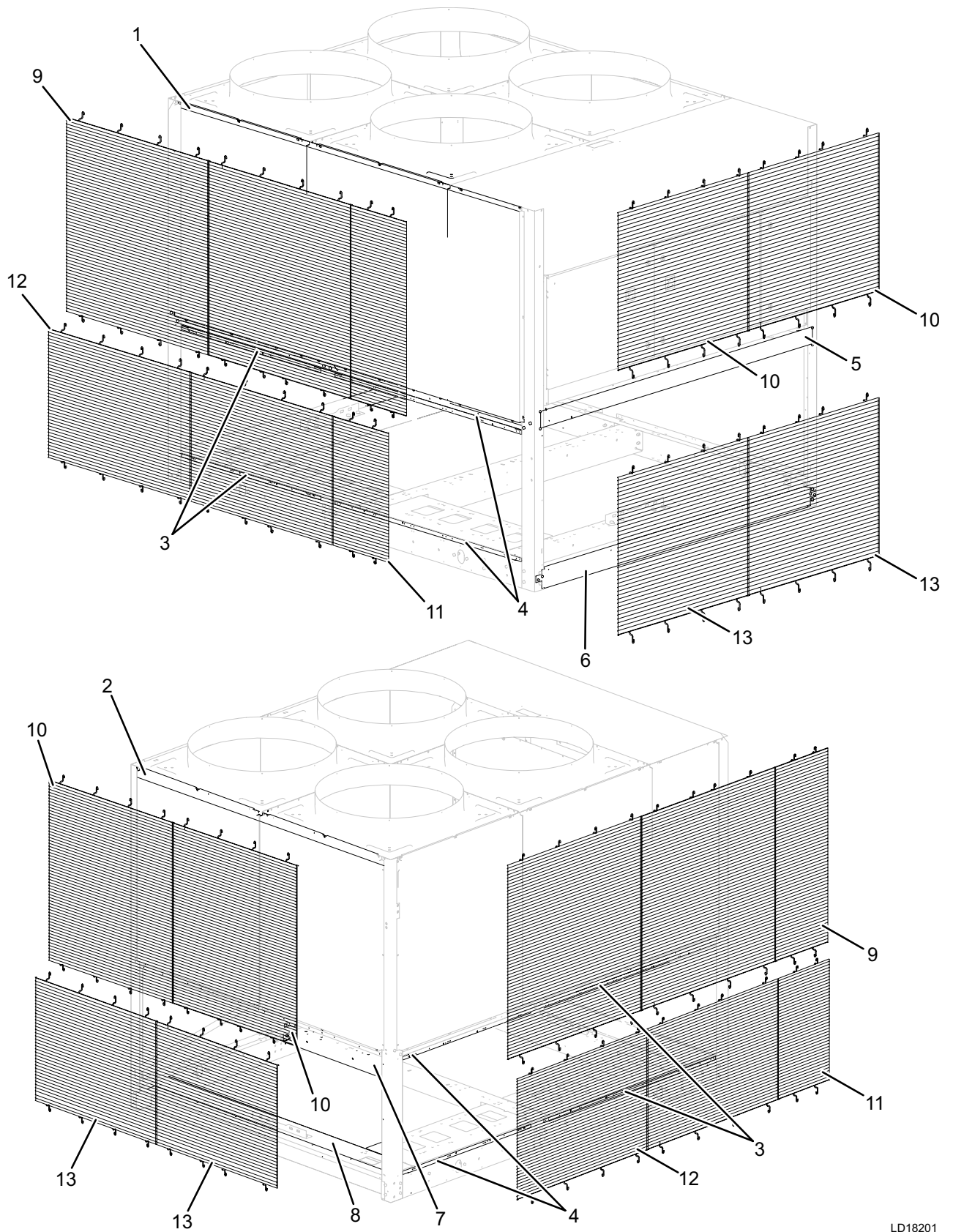
TABLE 74 - ENCLOSURE KIT OPTION

MODEL	WIRE ENCLOSURE	LOUVERED ENCLOSURE (NO PUMP)	LOUVERED ENCLOSURE (WITH PUMP)	LOUVERED ENCLOSURE (NO PUMP)	LOUVERED ENCLOSURE (WITH PUMP)	LOUVERED ENCLOSURE (HAIL GUARD ONLY)
		PIN 46 = X		PIN 46 = H		
058	475-91492-351	492-11341-311	492-11341-311	-	-	475-91493-353
065						
070	475-91492-301	492-11341-301	492-11341-351	492-11341-701	492-11341-751	475-91493-303
080						
081	475-91492-351	492-11341-311	492-11341-311	-	-	475-91493-353
089	475-91492-301	492-11341-301	492-11341-351	492-11341-701	492-11341-751	475-91493-303
092	475-91492-201	492-11341-201	492-11341-251	492-11341-601	492-11341-651	475-91493-203
100						
101						
115						
120						
125	475-91492-101	492-11341-101	492-11341-151	492-11341-501	492-11341-551	475-91493-103
136						
142						
150						
155	475-91492-401	492-11341-401	492-11341-451	492-11341-801	492-11341-851	475-91493-403
156						
170						
175						

MODEL	WIRE / LOUVERED ENCLOSURE PIN 46 = X PIN 49 = X or B	WIRE / LOUVERED ENCLOSURE PIN 46 = H PIN 49 = X or B	LOUVERED ENCLOSURE (HAIL GUARD ONLY)	LOUVERED ENCLOSURE (CONDENSER ONLY)
058	475-91492-353	-	475-91493-104	-
065				
070	475-91492-303	492-11479-703		492-11349-703
080				
081	475-91492-353	-		-
089	475-91492-303	492-11479-703		492-11349-703
092	475-91492-203	475-91492-603		475-91493-603
100				
101				
115				
120	475-91492-103	475-91492-503	475-91493-503	
125				
136				
142				
150	475-91492-403	475-91492-803	475-91493-803	
155				
156				
170				
175				

TABLE 75 - WIRE ENCLOSURE PANELS

ITEM	DESCRIPTION	MODELS	PART NUMBER	SAP NUMBER	FIGURE
YLAA0058, YLAA0065, YLAA0081					
1	Support Grill/Louver	YLAA0058, YLAA0065, YLAA0081	092-20313-001	1088127	42
2	Support Grill/Louver	YLAA0058, YLAA0065, YLAA0081	075-75047-007	435520	42
3	Support Grill/Louver	YLAA0058, YLAA0065, YLAA0081	092-20313-003	1088128	42
4	Support Grill/Louver	YLAA0058, YLAA0065, YLAA0081	092-20313-004	1088129	42
5	Support Grill/Louver	YLAA0058, YLAA0065, YLAA0081	075-75047-022	438427	42
6	Support Grill/Louver	YLAA0058, YLAA0065, YLAA0081	075-75047-019	438429	42
7	Support Grill/Louver	YLAA0058, YLAA0065, YLAA0081	075-75047-001	757569	42
8	Support Grill/Louver	YLAA0058, YLAA0065, YLAA0081	075-75047-018	448039	42
9	Guard Coil	YLAA0058, YLAA0065, YLAA0081	026-47713-001	1087913	42
10	Guard Coil	YLAA0058, YLAA0065, YLAA0081	026-45058-008	511233	42
11	Guard Coil	YLAA0058, YLAA0065, YLAA0081	026-47713-002	1087914	42
12	Guard Coil	YLAA0058, YLAA0065, YLAA0081	026-47713-003	1087915	42
13	Guard Coil	YLAA0058, YLAA0065, YLAA0081	026-45058-005	511231	42
YLAA0070, YLAA0080, YLAA0089 - YLAA0175					
1	Guard Coil	YLAA0070, YLAA0080, YLAA0089 - YLAA0175	026-46141-007	638484	43
3	Guard Coil	YLAA0070, YLAA0080, YLAA0089 - YLAA0175	026-45058-008	511233	43
4	Guard Coil	YLAA0070, YLAA0080, YLAA0089 - YLAA0175	026-45058-001	510650	43
5	Guard Coil	YLAA0070, YLAA0080, YLAA0089 - YLAA0175	026-45058-005	511231	43
6	Support Grill/Louver	YLAA0070, YLAA0080, YLAA0089 - YLAA0155	075-75047-006	435518	42
		YLAA0156 -YLAA0175	075-75047-013	448068	
7	Support Grill/Louver	YLAA0125 - YLAA0155	075-75047-008	435681	*
		YLAA0156 -YLAA0175	075-75047-017	448069	
8	Support Grill/Louver	YLAA0070, YLAA0080, YLAA0089 - YLAA0175	075-75047-007	435520	42
9	Support Grill/Louver	YLAA0092 - YLAA0120	075-75047-009	436027	43
		YLAA0156 -YLAA0175	075-75047-014	448482	
10	Support Grill/Louver	YLAA0092 - YLAA0155	075-75047-004	438426	43
		YLAA0156 -YLAA0175	075-75047-016	448483	
12	Support Grill/Louver	YLAA0070, YLAA0080, YLAA0089 - YLAA0175	075-75047-022	438427	43
13	Support Grill/Louver	YLAA0070, YLAA0080, YLAA0089	075-75047-018	448039	43
		YLAA0092 - YLAA0155	075-75047-019	438429	
		YLAA0156 -YLAA0175	075-75047-024	448484	
14	Support Grill/Louver	YLAA0156 -YLAA0175	075-75047-015	448485	43
23	Support Grill/Louver	YLAA0070, YLAA0080, YLAA0089	075-75047-011	448040	*
24	Support Grill/Louver	YLAA0070, YLAA0080, YLAA0089	075-75047-012	448351	43
31	Support Grill/Louver	YLAA0070, YLAA0080, YLAA0089	075-75047-019	438429	43
32	Support Grill/Louver	YLAA0092 - YLAA0155	075-75047-020	438430	43
		YLAA0156 -YLAA0175	075-75047-025	448486	
33	Support Grill/Louver	YLAA0125 - YLAA0155	075-75047-023	438441	43
		YLAA0156 -YLAA0175	075-75047-019	438429	



LD18201

FIGURE 42 - WIRING ENCLOSURE PANELS (YLAA0058, YLAA0065, YLAA0081)

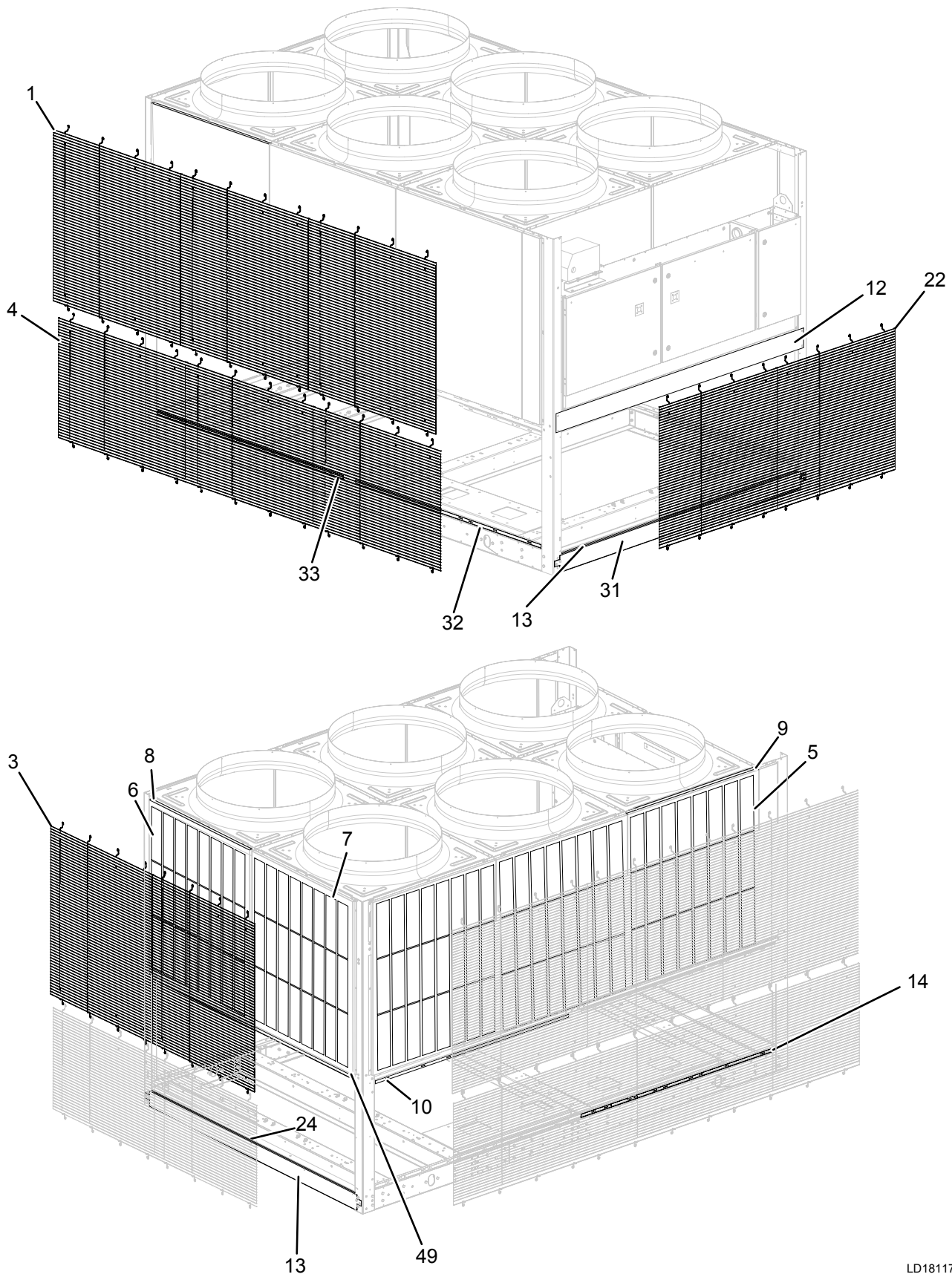


FIGURE 43 - WIRING ENCLOSURE PANELS (YLAA0070, YLAA0080, YLAA0089 - YLAA0175)

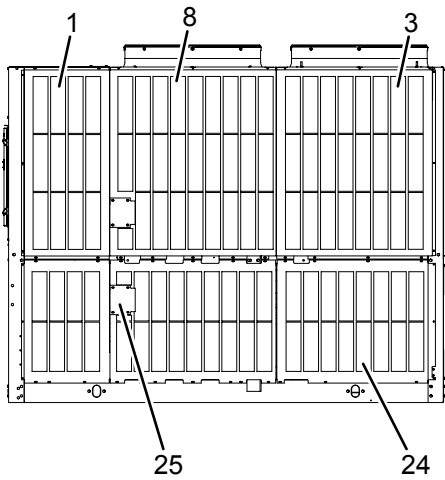
TABLE 76 - LOUVERED ENCLOSURE PANELS

ITEM	DESCRIPTION	MODELS	PART NUMBER	SAP NUMBER	FIGURE
1	Panel Louver Side Front	YLAA0058, YLAA0065, YLAA0081	092-20312-001	1087918	44, 45, 46, 47
	Panel Louvers Right Side	YLAA0070, YLAA0080, YLAA0089	075-91494-000	760744	
	Panel Louvers Right (Front)	YLAA0092 - YLAA0175	075-91494-001	760745	
2	Panel Louver Side End	YLAA0058, YLAA0065, YLAA0081	092-20312-002	1087919	44, 45, 46, 47
	Panel Louvers Middle	YLAA0070, YLAA0080, YLAA0089 - YLAA0175	075-91494-002	760746	
3	Panel Louvers (Rear Left)	YLAA0058, YLAA0065, YLAA0081	075-91494-004	760748	44, 45, 46, 47
	Panel Louvers End Side Right	YLAA0070, YLAA0080, YLAA0089 - YLAA0175	075-91494-003	760747	
4	Panel Louvers (Rear Right)	YLAA0058, YLAA0065, YLAA0081	075-91494-005	760749	44, 45, 46, 47
	Panel Louvers End (Left)	YLAA0070, YLAA0080, YLAA0089 - YLAA0175	075-91494-023	760766	
5	Panel Enclosure	YLAA0058, YLAA0065, YLAA0081	092-20312-015	1088126	44, 45, 46, 47
	Panel Louvers Left(Front)	YLAA0070, YLAA0080, YLAA0089	075-91494-020	760763	
	Panel Louvers Left (Front)	YLAA0092 - YLAA0175	075-91494-021	760764	
6	Panel Enclosure	YLAA0058, YLAA0065, YLAA0081	075-91494-054	862852	44, 45, 46, 47
	Panel Louvers (Rear Left)	YLAA0070, YLAA0080, YLAA0089 - YLAA0175	075-91494-004	760748	
7	Panel Enclosure	YLAA0058, YLAA0065, YLAA0081	092-20312-013	1088124	44, 45, 46, 47
	Panel Louvers (Rear Right)	YLAA0070, YLAA0080, YLAA0089 - YLAA0175	075-91494-005	760749	
8	Panel Enclosure	YLAA0058, YLAA0065, YLAA0081	092-20312-014	1088125	44
9	Panel Enclosure	YLAA0058, YLAA0065, YLAA0081	075-91494-009	760753	44
10	Panel Enclosure	YLAA0058, YLAA0065, YLAA0081	075-91494-010	760754	44
11	Panel Enclosure	YLAA0058, YLAA0065, YLAA0081	092-20312-011	1088122	44, 45, 46, 47
		YLAA0070, YLAA0080, YLAA0089 - YLAA0175	075-91494-009	760753	
12	Panel Enclosure	YLAA0058, YLAA0065, YLAA0081	092-20312-012	1088123	44, 45, 46, 47
		YLAA0070, YLAA0080, YLAA0089 - YLAA0175	075-91494-010	760754	
13	Panel Enclosure	YLAA0058, YLAA0065, YLAA0081	075-91494-056	862854	44, 45, 46, 47
		YLAA0070, YLAA0080, YLAA0089 - YLAA0175	075-91494-015	760758	
14	Panel Enclosure	YLAA0070, YLAA0080, YLAA0089	075-91494-056	862854	45, 46, 47
		YLAA0156 - YLAA0175	075-91494-080	1034185	
15	Panel Enclosure	YLAA0156 - YLAA0175	075-91494-081	1034186	47
16	Panel Enclosure	YLAA0070, YLAA0080, YLAA0089	075-91494-013	760756	46, 47
		YLAA0092 - YLAA0175	075-91494-022	760765	
17	Panel Enclosure	YLAA0070, YLAA0080, YLAA0089 - YLAA0175	075-91494-029	760772	44, 45, 46, 47
18	Panel Enclosure	YLAA0070, YLAA0080, YLAA0089	075-91494-014	760757	44, 45, 46, 47
		YLAA0092 - YLAA0175	075-91494-030	760773	
19	Panel Enclosure	YLAA0070, YLAA0080, YLAA0089	075-91494-054	862852	44, 45, 46, 47
		YLAA0092 - YLAA0120	075-91494-066	1034171	
		YLAA0125 - YLAA0175	075-91494-008	760752	

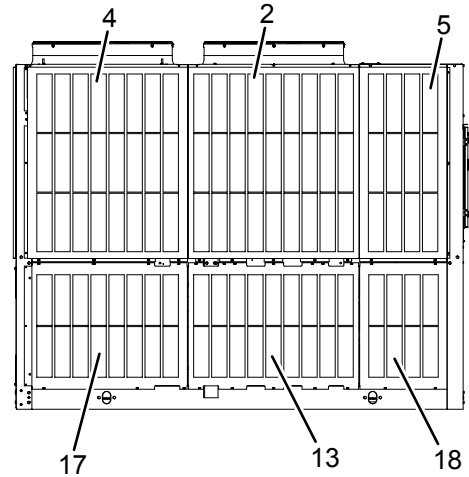
TABLE 76 - LOUVERED ENCLOSURE PANELS (CONT'D)

ITEM	DESCRIPTION	MODELS	PART NUMBER	SAP NUMBER	FIGURE
20	Panel Enclosure	YLAA0070, YLAA0080, YLAA0089	075-91494-055	862853	44, 45, 46, 47
		YLAA0092 - YLAA0120	075-91494-065	1034170	
		YLAA0125 - YLAA0175	075-91494-007	760751	
21	Panel Enclosure	YLAA0125 - YLAA0155	075-91494-018	760761	46, 47
		YLAA0156 - YLAA0175	075-91494-082	1034187	
22	Panel Enclosure	YLAA0156 - YLAA0175	075-91494-083	1034188	47
23	Panel Enclosure	YLAA0156 - YLAA0175	075-91494-086	1034191	47
24	Panel Enclosure	YLAA0070, YLAA0080, YLAA0089 - YLAA0120	075-91494-006	760750	44, 45, 46, 47
		YLAA0125 - YLAA0155	075-91494-079	1034184	
		YLAA0156 - YLAA0175	075-91494-085	1034190	
25	Panel Enclosure Ylaa	YLAA0092 - YLAA0120	075-91494-056	862854	44, 45, 46, 47
		YLAA0125 - YLAA0155	075-91494-075	1034180	
		YLAA0156 - YLAA0175	075-91494-087	1034192	
27	Panel Enclosure Ylaa	YLAA0156 - YLAA0175	075-91494-084	1034189	47
35	Support Grill/Louver Ylaa	YLAA0070, YLAA0080, YLAA0089 - YLAA0175	075-75047-022	438427	44, 46, 47
36	Support Grill/Louver Ylaa	YLAA0070, YLAA0080, YLAA0089	075-75047-018	448039	44
37	Support Grill/Louver Ylaa	YLAA0070, YLAA0080, YLAA0089 - YLAA0175	075-75047-019	438429	46, 47
49	Support Grill/Louver	YLAA0058 - YLAA0175	075-75047-001	757569	46, 47

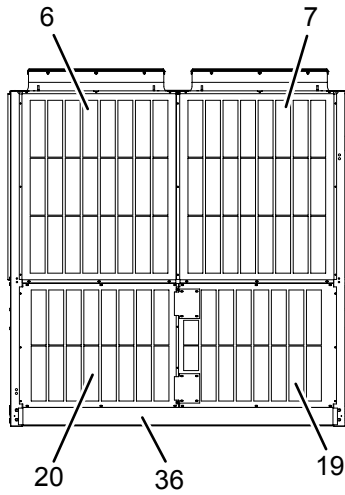
NOTE: Items with an * are NOT represented.



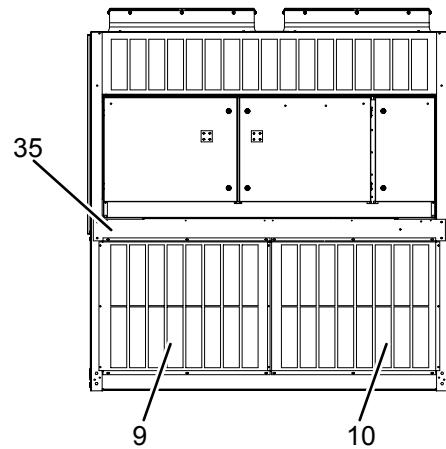
Right with pump package & heat recovery



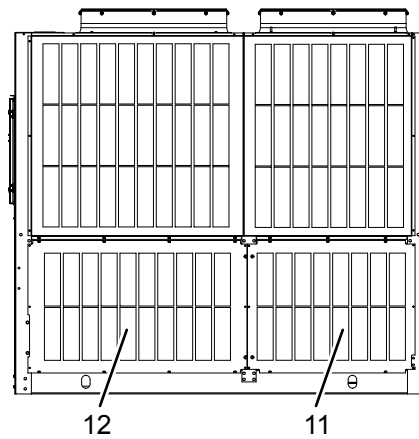
Left with pump package & heat recovery



Rear with pump package & heat recovery



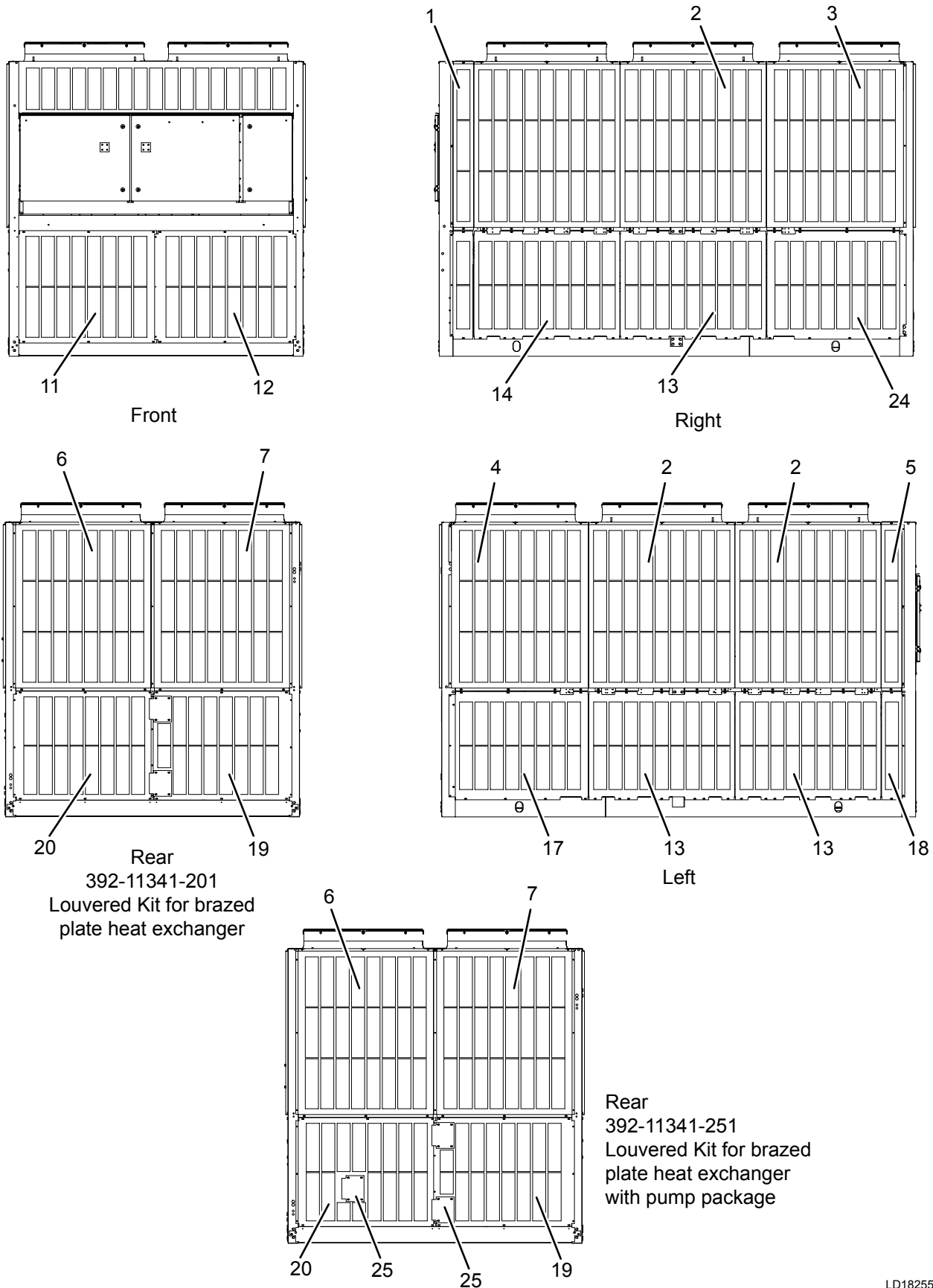
Front with or without pump kit



Right with or without pump kit

LD18254

FIGURE 44 - LOUVERED ENCLOSURE PANELS (YLAA0058 - YLAA0089)



LD18255

FIGURE 45 - LOUVERED ENCLOSURE PANELS (YLAA0092 - YLAA0120)

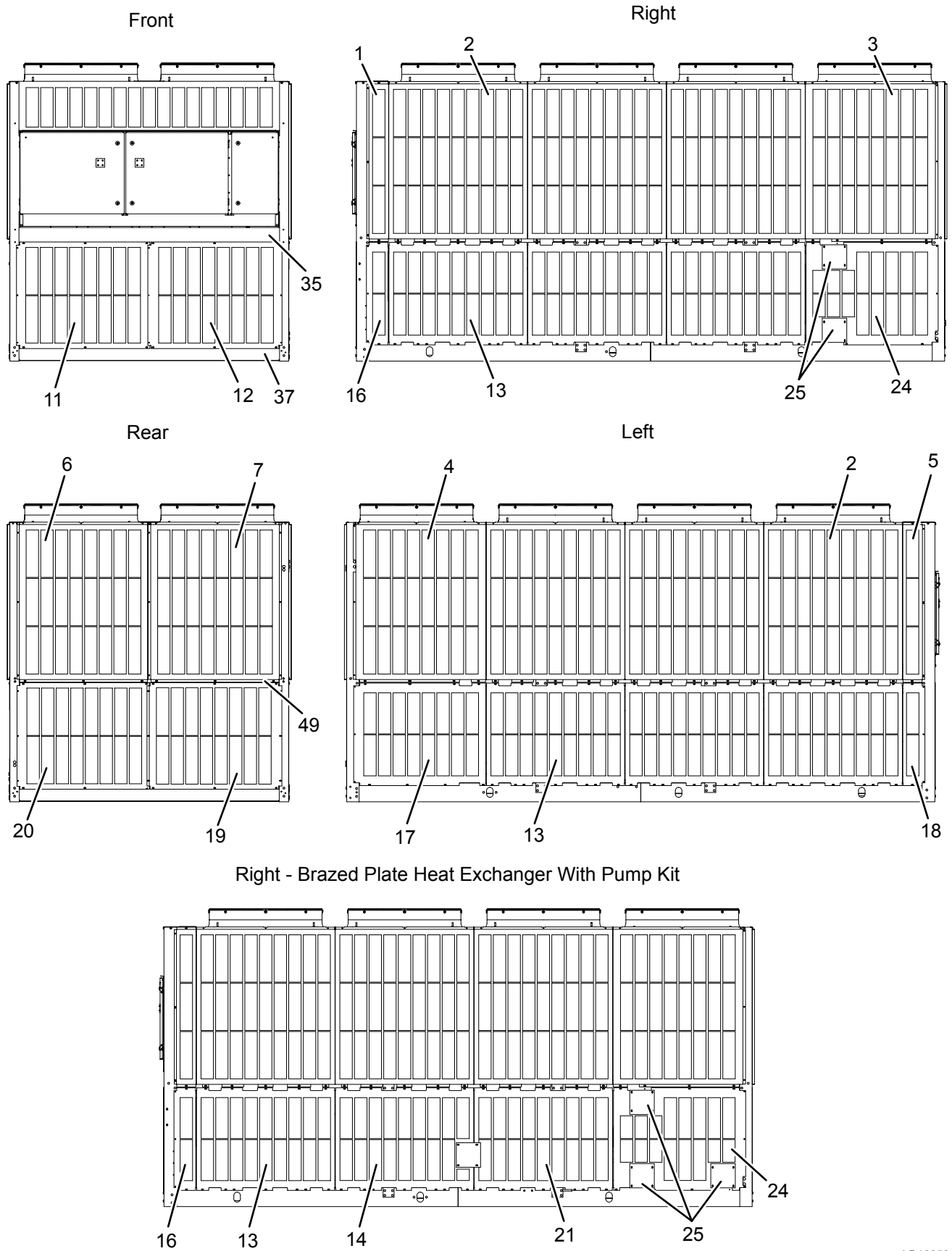
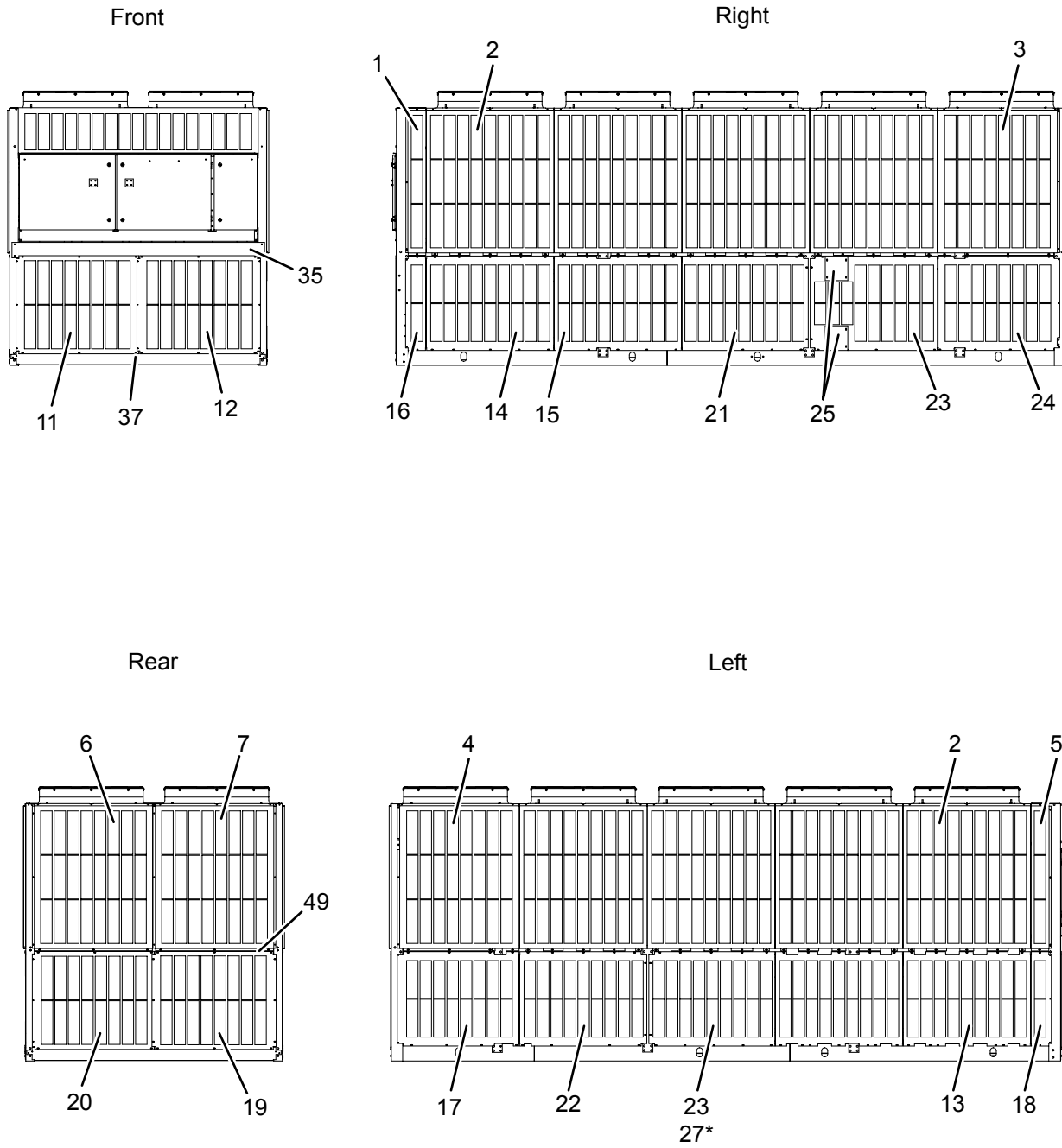


FIGURE 46 - LOUVERED ENCLOSURE PANELS (YLAA0125 - YLAA0155)

LD18256



* Standard Brazed Plate Heat Exchanger
 With Heat Recovery

LD18257

FIGURE 47 - LOUVERED ENCLOSURE PANELS (YLAA0156 - YLAA0175)

TABLE 77 - WIRE LOUVER ENCLOSURE PANELS (PIN 46 = X)

ITEM	DESCRIPTION	MODELS	PART NUMBER	SAP NUMBER	FIGURE
1	Panel Louver Side Front	YLAA0058, YLAA0065, YLAA0081	092-20312-001	1087918	48, 49, 50, 51
	Panel Louvers Right Side	YLAA0070, YLAA0080, YLAA0089	075-91494-000	760744	
	Panel Louvers Right (Front)	YLAA0092 - YLAA0175	075-91494-001	760745	
2	Panel Louver Side End	YLAA0058, YLAA0065, YLAA0081	092-20312-002	1087919	48, 49, 50, 51
	Panel Louvers Middle	YLAA0070, YLAA0080, YLAA0089 - YLAA0120	075-91494-002	760746	
3	Panel Louvers (Rear Left)	YLAA0058, YLAA0065, YLAA0081	075-91494-004	760748	48, 49, 50, 51
	Panel Louvers End Side Right	YLAA0070, YLAA0080, YLAA0089 - YLAA0120	075-91494-003	760747	
4	Panel Louvers (Rear Right)	YLAA0058, YLAA0065, YLAA0081	075-91494-005	760749	48, 49, 50, 51
	Panel Louvers End (Left)	YLAA0070, YLAA0080, YLAA0089 - YLAA0120	075-91494-023	760766	
4A	Guard Coil	YLAA0058, YLAA0065, YLAA0081	026-47713-002	1087914	48, 49, 50, 51
	Guard Coil	YLAA0070, YLAA0080, YLAA0089 - YLAA0120	026-45058-001	510650	
5	Panel Louvers Left(Front)	YLAA0070, YLAA0080, YLAA0089	075-91494-020	760763	48, 49, 50, 51
	Panel Louvers Left (Front)	YLAA0092 - YLAA0175	075-91494-021	760764	
5A	Guard Coil	YLAA0058, YLAA0065, YLAA0081	026-47713-003	1087915	48, 49, 50, 51
	Guard Coil	YLAA0070, YLAA0080, YLAA0089 - YLAA0120	026-45058-005	511231	
6	Panel Louvers Side End	YLAA0058, YLAA0065, YLAA0081	092-20312-005	1087920	48, 49, 50, 51
	Panel Louvers (Rear Left)	YLAA0070, YLAA0080, YLAA0089 - YLAA0120, YLAA0156 - YLAA0175	075-91494-004	760748	
	Support Grill/Louver	YLAA0125 - YLAA0155	075-75047-006	435518	
7	Panel Louvers Side Front	YLAA0058, YLAA0065, YLAA0081	092-20312-006	1088121	48, 49, 50, 51
	Panel Louvers (Rear Right)	YLAA0070, YLAA0080, YLAA0089 - YLAA0120, YLAA0156 - YLAA0175	075-91494-005	760749	
	Support Grill/Louver	YLAA0125 - YLAA0155	075-75047-008	435681	
8	Support Grill/Louver	YLAA0125 - YLAA0155	075-75047-007	435520	49, 50, 51
9	Support Grill/Louver	YLAA0058, YLAA0065, YLAA0081	092-20313-003	1088128	49, 51
	Support Grill/Louver	YLAA0125 - YLAA0155	075-75047-005	438425	
	Support Grill/Louver	YLAA0156 - YLAA0175	075-75047-014	448482	
10	Support Grill/Louver	YLAA0058, YLAA0065, YLAA0081	092-20313-004	1088129	49, 51
	Support Grill/Louver	YLAA0092 - YLAA0155	075-75047-004	438426	
	Support Grill/Louver	YLAA0156 - YLAA0175	075-75047-016	448483	
12	Support Grill/Louver	YLAA0058, YLAA0065, YLAA0081	075-75047-022	438427	48, 49, 50, 51
	Support Grill/Louver	YLAA0070, YLAA0080, YLAA0089 - YLAA0120	075-75047-022	438427	
13	Support Grill/Louver	YLAA0058, YLAA0065, YLAA0081	075-75047-019	438429	48, 49, 51
	Support Grill/Louver	YLAA0070, YLAA0080, YLAA0089	075-75047-018	448039	
	Support Grill/Louver	YLAA0092 - YLAA0155	075-75047-019	438429	
	Support Grill/Louver	YLAA0156 - YLAA0175	075-75047-024	448484	
14	Support Grill/Louver	YLAA0156 - YLAA0175	075-75047-015	448485	50, 51

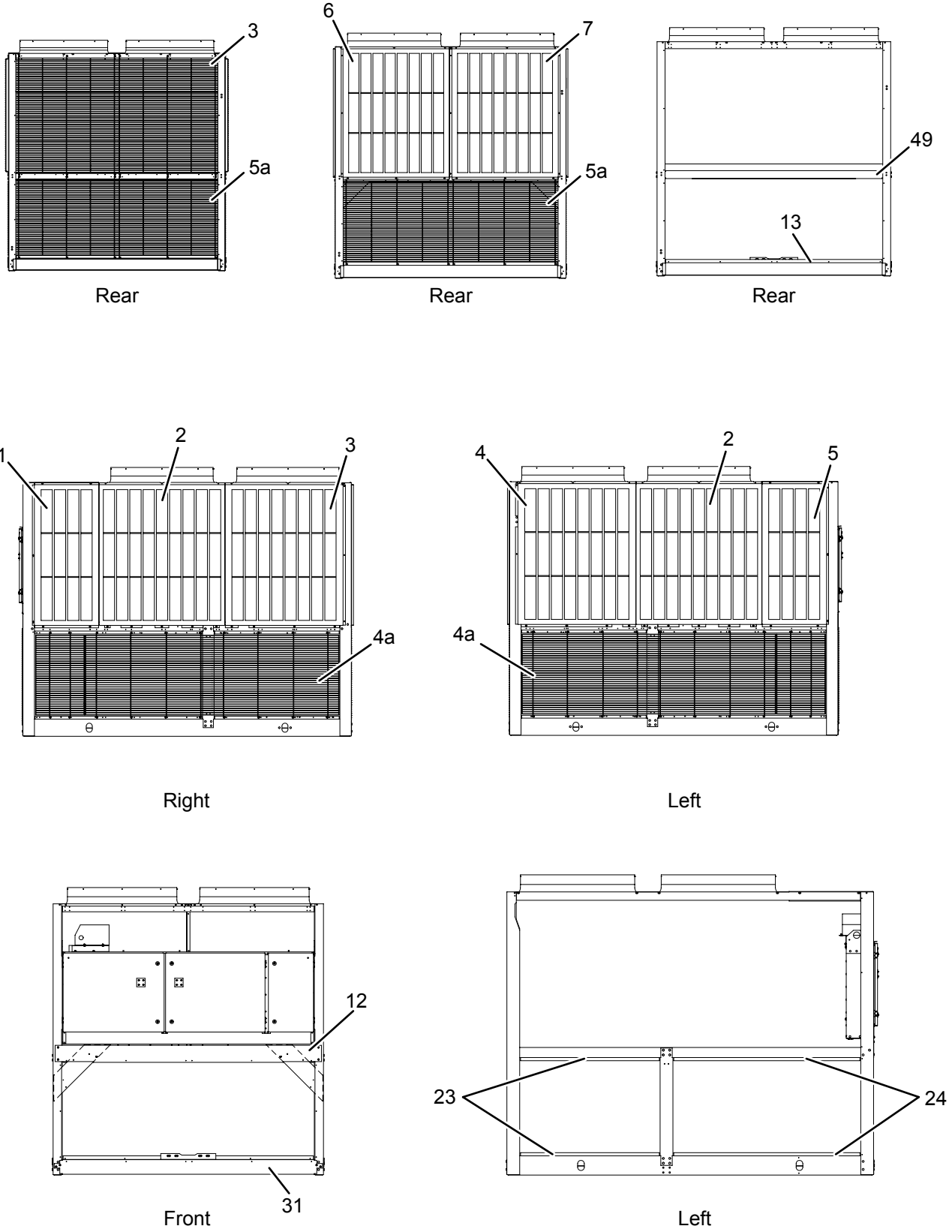
TABLE 77 - WIRE LOUVER ENCLOSURE PANELS (CONT'D)

ITEM	DESCRIPTION	MODELS	PART NUMBER	SAP NUMBER	FIGURE
23	Support Grill/Louver	YLAA0058, YLAA0065, YLAA0081	075-75047-001	757569	48
	Support Grill/Louver	YLAA0070, YLAA0080, YLAA0089	075-75047-011	448040	
24	Support Grill/Louver	YLAA0058, YLAA0065, YLAA0081	075-75047-018	448039	48
	Support Grill/Louver	YLAA0070, YLAA0080, YLAA0089	075-75047-012	448351	
31	Support Grill/Louver	YLAA0070, YLAA0080, YLAA0089	075-75047-019	438429	48, 50
32	Support Grill/Louver	YLAA0092 - YLAA0155	075-75047-020	438430	49, 51
	Support Grill/Louver	YLAA0156 - YLAA0175	075-75047-025	448486	
33	Support Grill/Louver	YLAA0125 - YLAA0155	075-75047-023	438441	51
	Support Grill/Louver	YLAA0156 - YLAA0175	075-75047-019	438429	
49	Support Grill/Louver	YLAA0070, YLAA0080, YLAA0089 - YLAA0120	075-75047-001	757569	48, 49, 50, 51

NOTE: Items with an * are NOT represented.

TABLE 78 - WIRE LOUVER ENCLOSURE HEAT RECOVERY (PIN 46 = H)

ITEM	DESCRIPTION	MODELS	PART NUMBER	SAP NUMBER	FIGURE
1	Panel Louvers Right Side	YLAA0070, YLAA0080, YLAA0089	075-91494-000	760744	48, 49, 50, 51
	Panel Louvers Right (Front)	YLAA0092 - YLAA0175	075-91494-001	760745	
2	Panel Louvers Middle	YLAA0070, YLAA0080, YLAA0089 - YLAA0175	075-91494-002	760746	48, 49, 50, 51
3	Panel Louvers End Side Right	YLAA0070, YLAA0080, YLAA0089 - YLAA0175	075-91494-003	760747	48, 49, 51
4	Panel Louvers End (Left)	YLAA0070, YLAA0080, YLAA0089 - YLAA0175	075-91494-023	760766	48, 49, 50, 51
4A	Guard Coil	YLAA0070, YLAA0080, YLAA0089 - YLAA0175	026-45058-001	510650	48, 49, 50, 51
5	Panel Louvers Left(Front)	YLAA0070, YLAA0080, YLAA0089	075-91494-020	760763	48, 49, 50, 51
		YLAA0092 - YLAA0175	075-91494-021	760764	
5A	Guard Coil	YLAA0070, YLAA0080, YLAA0089 - YLAA0175	026-45058-005	511231	48, 49, 50, 51
6	Panel Louvers (Rear Left)	YLAA0070, YLAA0080, YLAA0089 - YLAA0175	075-91494-004	760748	48, 49, 50, 51
7	Panel Louvers (Rear Right)	YLAA0070, YLAA0080, YLAA0089 - YLAA0175	075-91494-005	760749	48, 49, 50, 51
8	Panel Enclosure	YLAA0070, YLAA0080, YLAA0089	075-91494-057	862855	49, 50, 51
	Panel Louvers Middle	YLAA0092 - YLAA0175	075-91494-042	760785	
9	Panel Enclosure	YLAA0070, YLAA0080, YLAA0089	075-91494-056	862854	49, 50, 51
	Panel Louvers Middle	YLAA0092 - YLAA0175	075-91494-043	760786	
9A	Support Grill/Louver	YLAA0125 - YLAA0155	075-75047-005	438425	49
		YLAA0156 - YLAA0175	075-75047-014	448482	
10	Panel Enclosure	YLAA0092 - YLAA0175	075-91494-048	760791	49, 50, 51
10A	Support Grill/Louver	YLAA0092 - YLAA0155	075-75047-004	438426	*
		YLAA0156 - YLAA0175	075-75047-016	448483	
12	Support Grill/Louver	YLAA0070, YLAA0080, YLAA0089 - YLAA0175	075-75047-022	438427	48, 49, 50, 51
13	Support Grill/Louver	YLAA0092 - YLAA0155	075-75047-019	438429	48, 49, 51
		YLAA0156 - YLAA0175	075-75047-024	448484	
14	Support Grill/Louver	YLAA0156 - YLAA0175	075-75047-015	448485	50, 51
22	Guard Coil	YLAA0070, YLAA0080, YLAA0089	026-45058-010	741219	*
		YLAA0156 - YLAA0175	026-45058-011	448489	
23	Support Grill/Louver	YLAA0070, YLAA0080, YLAA0089	075-75047-011	448040	48
24	Support Grill/Louver	YLAA0070, YLAA0080, YLAA0089	075-75047-012	448351	48
26	Panel Enclosure	YLAA0070, YLAA0080, YLAA0089	075-75918-042	543892	*
31	Support Grill/Louver	YLAA0070, YLAA0080, YLAA0089	075-75047-019	438429	48, 50
32	Support Grill/Louver	YLAA0092 - YLAA0155	075-75047-020	438430	49, 50, 51
		YLAA0156 - YLAA0175	075-75047-025	448486	
33	Support Grill/Louver	YLAA0125 - YLAA0155	075-75047-023	438441	50, 51
		YLAA0156 - YLAA0175	075-75047-019	438429	
49	Support Grill/Louver	YLAA0070, YLAA0080, YLAA0089 - YLAA0175	075-75047-001	757569	48, 49, 50, 51



LD18258

FIGURE 48 - WIRE LOUVER ENCLOSURE PANELS (YLAA0058 - YLAA0089)

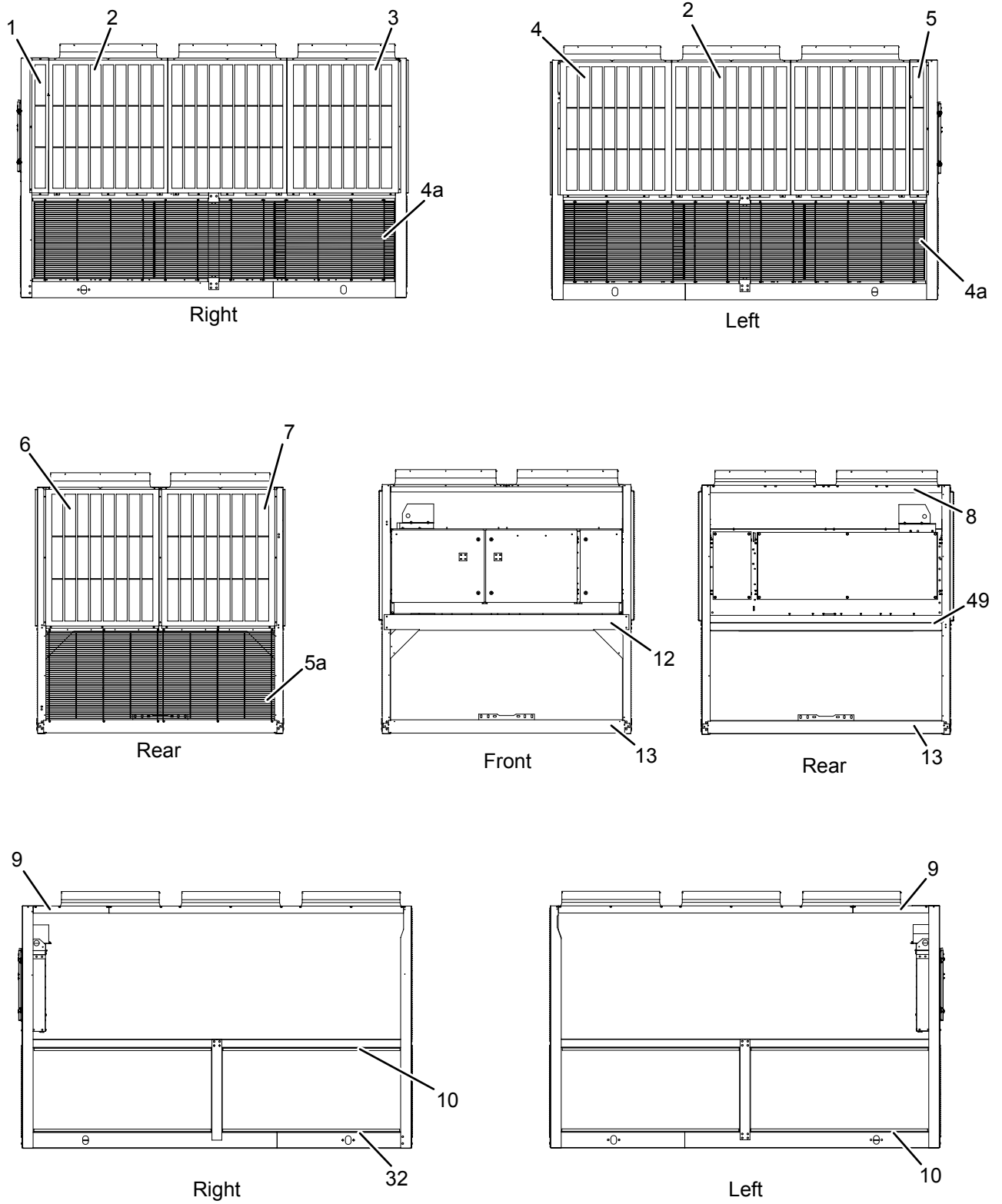
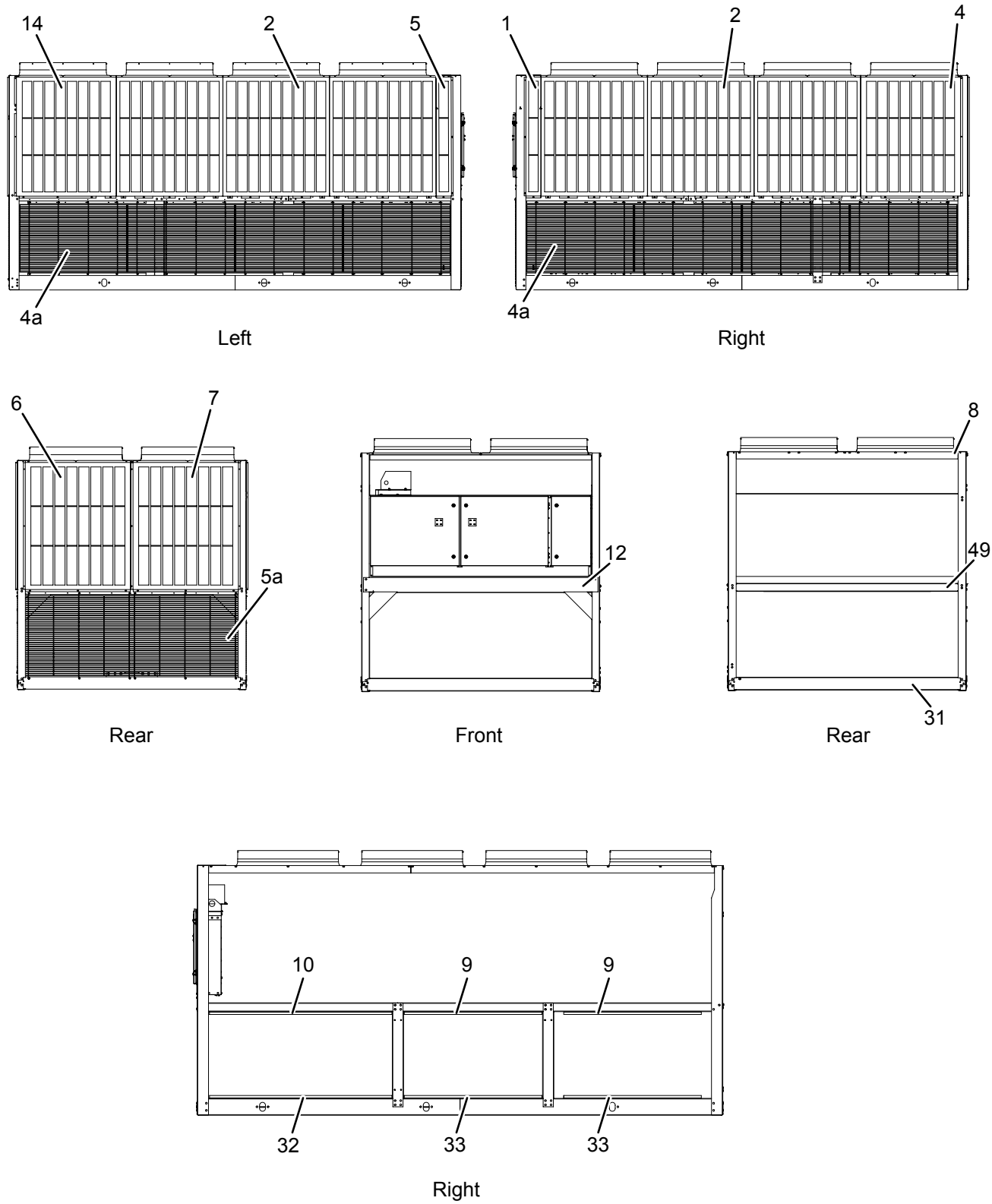


FIGURE 49 - WIRE LOUVER ENCLOSURE PANELS (YLAA0092 - YLAA0120)

LD18259



LD18260

FIGURE 50 - WIRE LOUVER ENCLOSURE PANELS (YLAA0125 - YLAA0155)

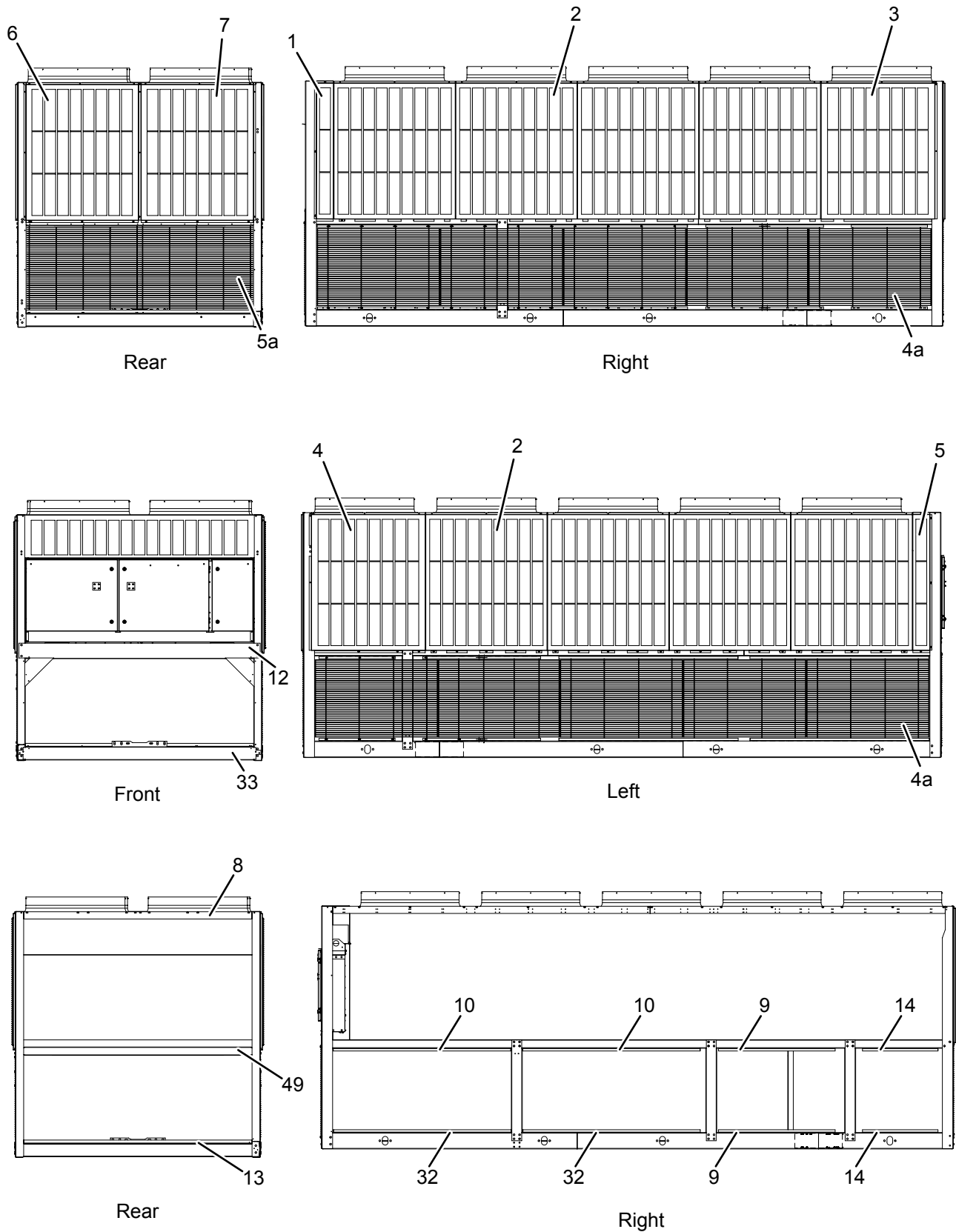


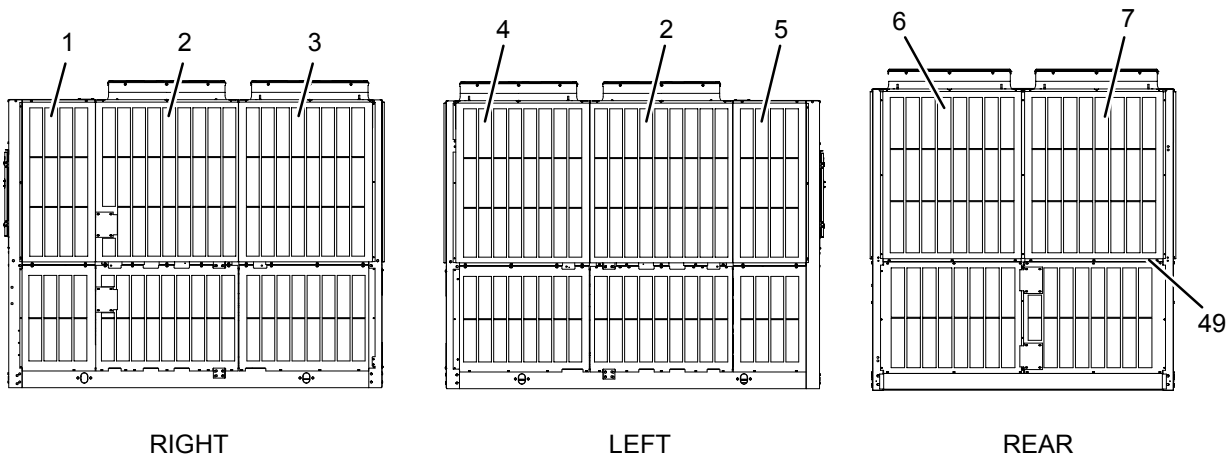
FIGURE 51 - WIRE LOUVER ENCLOSURE PANELS (YLAA0156 - YLAA0175)

LD18261

TABLE 79 - LOUVER ENCLOSURE PANELS CONDENSER ONLY

ITEM	DESCRIPTION	MODELS	PART NUMBER	SAP NUMBER	FIGURE
1	Panel Louver Side Front	YLAA0058, YLAA0065, YLAA0081	092-20312-001	1087918	52
	Panel Louvers Right Side	YLAA0070, YLAA0080, YLAA0089	075-91494-000	760744	
	Panel Louvers Right (Front)	YLAA0092 - YLAA0175	075-91494-001	760745	
2	Panel Louver Side End	YLAA0058, YLAA0065, YLAA0081	092-20312-002	1087919	52
	Panel Louvers Middle	YLAA0070, YLAA0080, YLAA0089 - YLAA0175	075-91494-002	760746	
3	Panel Louvers (Rear Left)	YLAA0058, YLAA0065, YLAA0081	075-91494-004	760748	52
	Panel Louvers End Side Right	YLAA0070, YLAA0080, YLAA0089 - YLAA0175	075-91494-003	760747	
4	Panel Louvers (Rear Right)	YLAA0058, YLAA0065, YLAA0081	075-91494-005	760749	52
	Panel Louvers End (Left)	YLAA0070, YLAA0080, YLAA0089 - YLAA0175	075-91494-023	760766	
5	Panel Louvers Left(Front)	YLAA0070, YLAA0080, YLAA0089	075-91494-020	760763	52
	Panel Louvers Left (Front)	YLAA0092 - YLAA0175	075-91494-021	760764	
6	Panel Louvers (Rear Left)	YLAA0070, YLAA0080, YLAA0089 - YLAA0175	075-91494-004	760748	52
7	Panel Louvers (Rear Right)	YLAA0070, YLAA0080, YLAA0089 - YLAA0175	075-91494-005	760749	52
31	Panel Louvers Side End	YLAA0058, YLAA0065, YLAA0081	092-20312-005	1087920	*
32	Panel Louvers Side Front	YLAA0058, YLAA0065, YLAA0081	092-20312-006	1088121	*
49	Support Grill/Louver	YLAA0070, YLAA0080, YLAA0089 - YLAA0175	075-75047-001	757569	52

NOTE: Items with an * are NOT represented.



Models YLAA0058-YLAA0089
 Shown

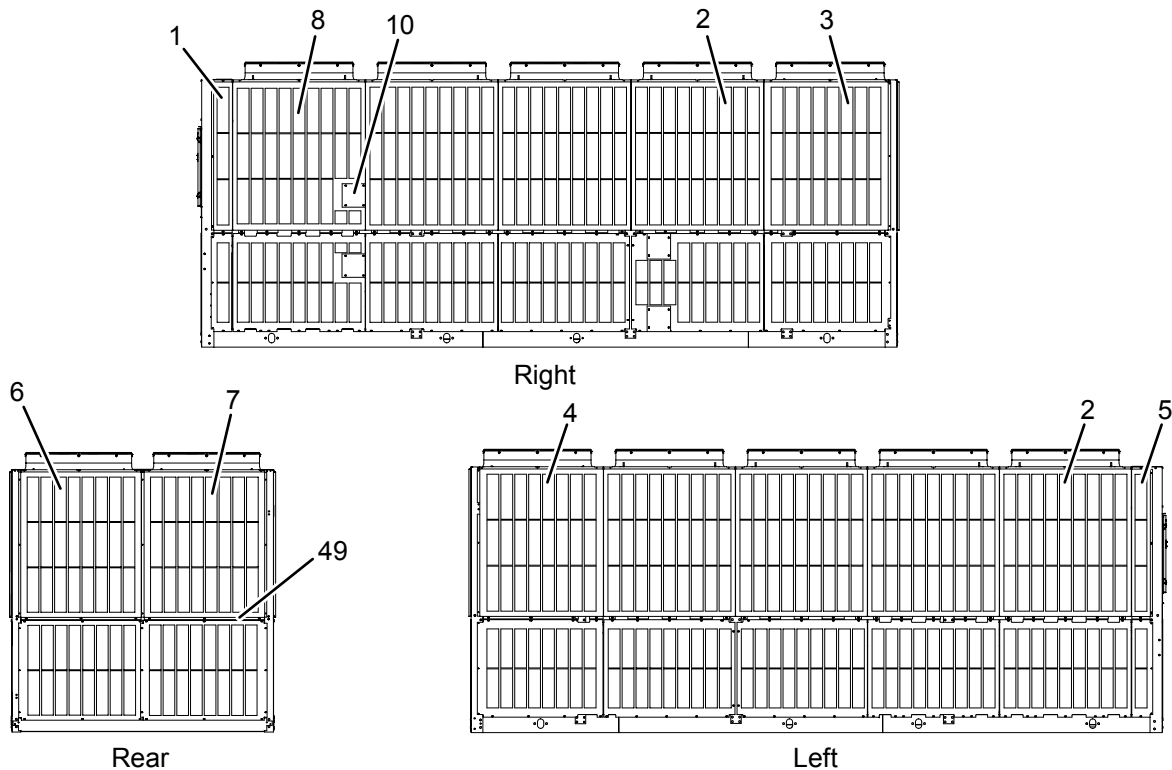
LD18262

FIGURE 52 - LOUVER ENCLOSURE PANELS CONDENSER ONLY

TABLE 80 - LOUVER ENCLOSURE HEAT RECOVERY

ITEM	DESCRIPTION	MODELS	PART NUMBER	SAP NUMBER	FIGURE
1	Panel Louvers Right Side	YLAA0070, YLAA0080, YLAA0089	075-91494-000	760744	53
	Panel Louvers Right (Front)	YLAA0092 - YLAA0175	075-91494-001	760745	
2	Panel Louvers Middle	YLAA0070, YLAA0080, YLAA0089 - YLAA0175	075-91494-002	760746	53
3	Panel Louvers End Side Right	YLAA0070, YLAA0080, YLAA0089 - YLAA0175	075-91494-003	760747	53
4	Panel Louvers End (Left)	YLAA0070, YLAA0080, YLAA0089 - YLAA0175	075-91494-023	760766	53
5	Panel Louvers Left(Front)	YLAA0070, YLAA0080, YLAA0089	075-91494-020	760763	53
	Panel Louvers Left (Front)	YLAA0092 - YLAA0175	075-91494-021	760764	
6	Panel Louvers (Rear Left)	YLAA0070, YLAA0080, YLAA0089 - YLAA0175	075-91494-004	760748	53
7	Panel Louvers (Rear Right)	YLAA0070, YLAA0080, YLAA0089 - YLAA0175	075-91494-005	760749	53
8	Panel Enclosure	YLAA0070, YLAA0080, YLAA0089	075-91494-057	862855	53
	Panel Louvers Middle	YLAA0092 - YLAA0175	075-91494-042	760785	
9	Panel Enclosure	YLAA0070, YLAA0080, YLAA0089	075-91494-056	862854	*
	Panel Louvers Middle	YLAA0092 - YLAA0175	075-91494-043	760786	
10	Panel Enclosure	YLAA0092 - YLAA0175	075-91494-048	760791	53
49	Support Grill/Louver	YLAA0070, YLAA0080, YLAA0089 - YLAA0175	075-75047-001	757569	53

NOTE: Items with an * are NOT represented.



Models YLAA0156 - YLAA0175 Shown

LD18263

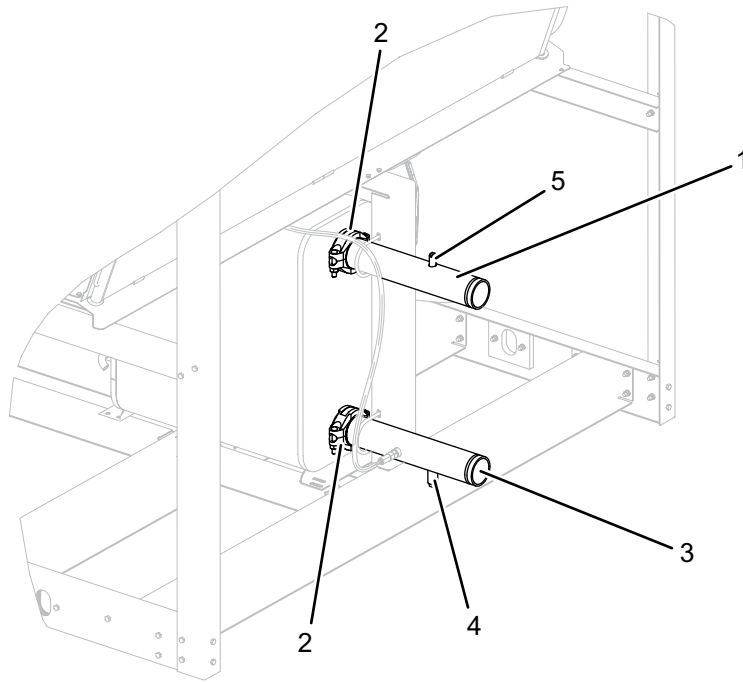
FIGURE 53 - LOUVER ENCLOSURE HEAT RECOVERY

TABLE 81 - MECHANICAL EXTENSION KIT YLAA0058 - YLAA0120

ITEM	DESCRIPTION	MODELS	PART NUMBER	SAP NUMBER	QTY	FIGURE
1	Kit, Water Connection Extension	YLAA0058 - YLAA0070	392-11489-001	901487	1	54, 55
	Pipe Extension		092-09771-001	844065	1	
	CPLG Pipe 1/4 3000		023-02565-000	146494	1	
	Kit, Water Connection Extension	YLAA0080	392-11489-002	901488	1	
	Pipe Extension		092-09771-002	844066	1	
	CPLG Pipe 1/4 3000		023-02565-000	146494	1	
	Kit, Water Connection Extension	YLAA0081	392-11489-003	901489	1	
	Pipe Extension		092-09771-003	844067	1	
	CPLG Pipe 1/4 3000		023-02565-000	146494	1	
	Kit, Water Connection Extension	YLAA0089	392-11489-006	901742	1	
	Pipe Extension		092-09771-006	844070	1	
	CPLG Pipe 1/4 3000		023-02565-000	146494	1	
	Kit, Water Connection Extension	YLAA0092 - YLAA0115	392-11489-004	901490	1	
	Pipe Extension		092-09771-004	844068	1	
	CPLG Pipe 1/4 3000		023-02565-000	146494	1	
	Kit, Water Connection Extension	YLAA0120	392-11489-005	901741	1	
Pipe Extension	092-09771-005		844069	1		
CPLG Pipe 1/4 3000	023-02565-000		146494	1		
2	Flexible Coupling Victaulic 3"	YLAA0058 - YLAA0120	023-23834-001	435867	2	54, 55
3	Pipe Extension Evaporator Assy	YLAA0058 - YLAA0070	392-11489-051	860848	1	54, 55
	Pipe Extension		092-09771-051	860818	1	
	CPLG Half Pipe 1/4 - 18 NPTI		023-20862-000	617692	1	
	CPLG Pipe 1/2 3000		023-01564-000	146587	1	
	Pipe Extension Evaporator Assy	YLAA0080	392-11489-052	860849	1	
	Pipe Extension		092-09771-052	860819	1	
	CPLG Half Pipe 1/4 - 18 NPTI		023-20862-000	617692	1	
	CPLG Pipe 1/2 3000		023-01564-000	146587	1	
	Pipe Extension Evaporator Assy	YLAA0081	392-11489-053	860850	1	
	Pipe Extension		092-09771-053	860820	1	
	CPLG Half Pipe 1/4 - 18 NPTI		023-20862-000	617692	1	
	CPLG Pipe 1/2 3000		023-01564-000	146587	1	
	Pipe Extension Evaporator Assy	YLAA0089	392-11489-056	860853	1	
	Pipe Extension		092-09771-056	860843	1	
	CPLG Half Pipe 1/4 - 18 NPTI		023-20862-000	617692	1	
	CPLG Pipe 1/2 3000		023-01564-000	146587	1	
	Pipe Extension Evaporator Assy	YLAA0092 - YLAA0115	392-11489-054	860851	1	
	Pipe Extension		092-09771-054	860841	1	
	CPLG Half Pipe 1/4 - 18 NPTI		023-20862-000	617692	1	
	CPLG Pipe 1/2 3000		023-01564-000	146587	1	
Pipe Extension Evaporator Assy	YLAA0120	392-11489-055	860852	1		
Pipe Extension		092-09771-055	860842	1		
CPLG Half Pipe 1/4 - 18 NPTI		023-20862-000	617692	1		
CPLG Pipe 1/2 3000		023-01564-000	146587	1		
4	Square Head Pipe Plug 1/2 NPTI	YLAA0058 - YLAA0120	023-01991-000	146538	1	54, 55
5	Plug Pipe 1/4 Square Head	YLAA0058 - YLAA0120	023-01972-000	146597	1	54

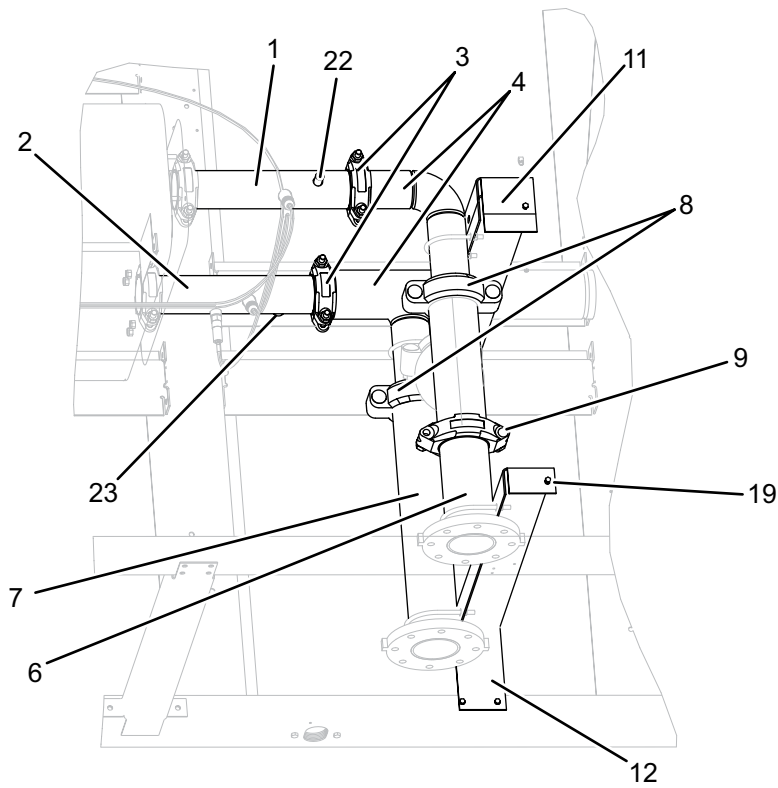
TABLE 82 - MECHANICAL EXTENSION KIT YLAA0125 - YLAA0175

ITEM	DESCRIPTION	MODEL	PART NUMBER	SAP	QTY	FIGURE
1	Pipe Extension Vaporator Assy	YLAA0125	392-09842-004	961431	1	54, 55
	Pipe Extension Evaporator		092-09839-004	961410	1	
	CPLG Pipe 1/4 3000		023-02565-000	146494	1	
	CPLG Pipe 1/2 3000		023-01564-000	146587	1	
	Pipe Extension Vaporator Assy	YLAA0136, YLAA0150, YLAA0156, YLAA0170	392-09842-003	961430	1	
	Pipe Extension Evaporator		092-09839-003	961409	1	
	CPLG Pipe 1/4 3000		023-02565-000	146494	1	
	CPLG Pipe 1/2 3000		023-01564-000	146587	1	
	Pipe Extension Vaporator Assy	YLAA0142, YLAA0155	392-09842-002	961429	1	
	Pipe Extension Evaporator		092-09839-002	961408	1	
	CPLG Pipe 1/4 3000		023-02565-000	146494	1	
	CPLG Pipe 1/2 3000		023-01564-000	146587	1	
	Pipe Extension Vaporator Assy	YLAA0175	392-09842-001	961428	1	
	Pipe Extension Evaporator		092-09839-001	961407	1	
	CPLG Pipe 1/4 3000		023-02565-000	146494	1	
	CPLG Pipe 1/2 3000		023-01564-000	146587	1	
2	Pipe Extension Vaporator Assy	YLAA0125	392-09842-104	961435	1	54, 55
	Pipe Extension Evaporator		092-09839-104	961414	1	
	CPLG Pipe 1/2 3000		023-01564-000	146587	2	
	CPLG Half Pipe 1/4 - 18 Npti		023-20862-000	617692	1	
	Pipe Extension Vaporator Assy	YLAA0136, YLAA0150, YLAA0156, YLAA0170	392-09842-103	961434	1	
	Pipe Extension Evaporator		092-09839-103	961413	1	
	CPLG Pipe 1/2 3000		023-01564-000	146587	2	
	CPLG Half Pipe 1/4 - 18 Npti		023-20862-000	617692	1	
	Pipe Extension Vaporator Assy	YLAA0142, YLAA0155	392-09842-102	961433	1	
	Pipe Extension Evaporator		092-09839-102	961412	1	
	CPLG Pipe 1/2 3000		023-01564-000	146587	2	
	CPLG Half Pipe 1/4 - 18 Npti		023-20862-000	617692	1	
	Pipe Extension Vaporator Assy	YLAA0175	392-09842-101	961432	1	
	Pipe Extension Evaporator		092-09839-101	961411	1	
	CPLG Pipe 1/2 3000		023-01564-000	146587	2	
	CPLG Half Pipe 1/4 - 18 Npti		023-20862-000	617692	1	
3	Flexible Coupling Victaulic 3"	YLAA0125 - YLAA0175	023-23834-001	435867	4	54, 55
4	Pipe Extension Vaporator Assy	YLAA0125 - YLAA0175	392-09843-000	961436	2	54, 55
	Union Instm 1/2 Tube X		023-09843-000	732186	2	
	Pipe Extension		092-09840-001	961415	2	
	Pipe Extension		092-09840-002	961416	2	
6	Pipe Extension	YLAA0125 - YLAA0175	092-09841-001	961417	1	55
7	Pipe Extension	YLAA0125 - YLAA0175	092-09841-002	961418	1	55
8	Reducer Victaulic 4.000 In Victaulic	YLAA0125 - YLAA0175	023-25902-000	961403	2	55
9	Flexible Coupling Victaulic 4"	YLAA0125 - YLAA0175	023-23834-002	733854	1	55
11	Bracket Support	YLAA0125 - YLAA0175	092-07700-036	961405	1	55
12	Bracket Support	YLAA0125 - YLAA0175	092-07700-038	961406	1	55
19	HHCS 0.250-20 X 0.750 Gr 5 Emp	YLAA0125 - YLAA0175	021-19313-012	730445	2	55
22	Plug Pipe 1/4 Square Head	YLAA0125 - YLAA0175	023-01972-000	146597	1	55
23	Square Head Pipe Plug 1/2 Npt	YLAA0125 - YLAA0175	023-01991-000	146538	1	55



LD18115

FIGURE 54 - MECHANICAL EXTENSION KIT (YLAA0058, YLAA0120)

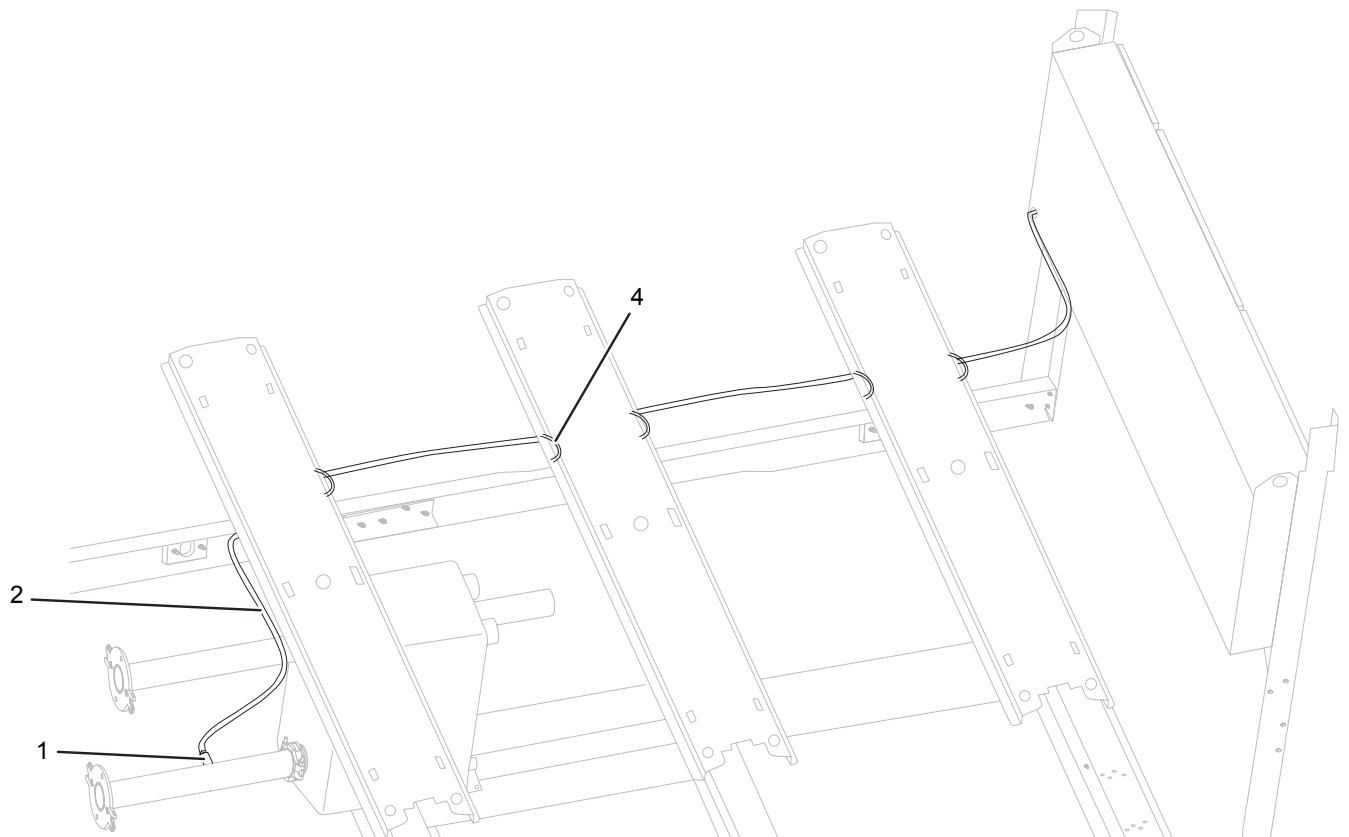


LD18116

FIGURE 55 - MECHANICAL EXTENSION KIT (YLAA0125, YLAA0175)

TABLE 83 - ELECTRONIC EXTENSION KIT

ITEM	DESCRIPTION	PART NUMBER	SAP NUMBER	QUANTITY	FIGURE
1	Sensor Flow 1/4" Npt Conn	025-43553-000	618247	1	56
2	Flow Switch Cable	024-38119-000	852692	1	56
4	Strap, Cable	025-39830-000	556821	5	56



LD17096

FIGURE 56 - ELECTRONIC EXTENSION KIT

TABLE 84 - PUMP ELECTRICAL COMMON PARTS

ITEM	DESCRIPTION	PUMP KIT	VOLTS	PART NUMBER	SAP NUMBER
1	Single Pump Kit Panel	A, E, J, R	17, 28	375-75880-106	792768
	Dual Pump Kit Panel			375-75876-106	792725
	Single Pump Kit Panel		40, 46	375-75880-119	853064
	Dual Pump Kit Panel			375-75876-119	853022
	Single Pump Kit Panel		58	375-75880-118	853063
	Dual Pump Kit Panel			375-75876-118	853021
1	Single Pump Kit Panel	B, G, U	17	375-75880-128	1088632
	Dual Pump Kit Panel			375-75876-128	1088617
	Single Pump Kit Panel		28	375-75880-107	792769
	Dual Pump Kit Panel			375-75876-107	852697
	Single Pump Kit Panel		40, 46	375-75880-109	792771
	Dual Pump Kit Panel			375-75876-109	852698
	Single Pump Kit Panel		58	375-75880-119	853064
	Dual Pump Kit Panel			375-75876-119	853022
1	Single Pump Kit Panel	C, H, N, S	17	375-75880-129	1088633
	Dual Pump Kit Panel			375-75876-129	1088618
	Single Pump Kit Panel		28	375-75880-103	792765
	Dual Pump Kit Panel			375-75876-103	792722
	Single Pump Kit Panel		40	375-75880-101	792763
	Dual Pump Kit Panel			375-75876-101	792721
	Single Pump Kit Panel		46	375-75880-106	792768
	Dual Pump Kit Panel			375-75876-106	792725
	Single Pump Kit Panel		58	375-75880-114	792776
	Dual Pump Kit Panel			375-75876-114	792731
1	Single Pump Kit Panel	D, F, I, K, P, T	17	375-75880-130	1088634
	Dual Pump Kit Panel			375-75876-130	1088619
	Single Pump Kit Panel		28	375-75880-104	792766
	Dual Pump Kit Panel			375-75876-104	792723
	Single Pump Kit Panel		40	375-75880-112	792774
	Dual Pump Kit Panel			375-75876-112	792729
	Single Pump Kit Panel		46	375-75880-115	792777
	Dual Pump Kit Panel			375-75876-115	792732
	Single Pump Kit Panel		58	375-75880-121	853066
	Dual Pump Kit Panel			375-75876-121	853024
1	Single Pump Kit Panel	L, V	17	375-75880-131	1088635
	Dual Pump Kit Panel			375-75876-131	1088620
	Single Pump Kit Panel		28	375-75880-122	853067
	Dual Pump Kit Panel			375-75876-122	853025
	Single Pump Kit Panel		40	375-75880-123	853068
	Dual Pump Kit Panel			375-75876-123	853026
	Single Pump Kit Panel		46	375-75880-100	792762
	Single Pump Kit Panel			375-75876-100	792720
	Single Pump Kit Panel		58	375-75880-124	853069
	Dual Pump Kit Panel			375-75876-124	853027

TABLE 84 - PUMP ELECTRICAL COMMON PARTS (CONT'D)

ITEM	DESCRIPTION	PUMP KIT	VOLTS	PART NUMBER	SAP NUMBER
1	Single Pump Kit Panel	M	17	375-75880-127	1088631
	Dual Pump Kit Panel			375-75876-127	1088616
	Single Pump Kit Panel		28	375-75880-119	853064
	Dual Pump Kit Panel			375-75876-119	853022
	Single Pump Kit Panel		40, 46	375-75880-116	853061
	Dual Pump Kit Panel			375-75876-116	852699
	Single Pump Kit Panel		58	375-75880-117	853062
	Dual Pump Kit Panel			375-75876-117	852700
2	Flow Switch Cable	All	All	024-38119-000	852692
3	Wiring Harness YLAA	All	All	575-72382-600	853121
4	Sensor Flow 1/4" Npt Conn	All	All	025-43553-000	618247
5	Insr Elec For Use With	All	All	025-10371-000	737257
6	Ferr Splice Cap For Use With	All	All	025-10372-000	737258
7	Fitting Liquid Tight 1/2 Npt	All	All	025-28720-000	117421
8	Bracket Terminal Box Pump Kit	All	All	092-04930-003	1065891
9	Screw Cap Hex 1/4 Un X 3/4 Lg	All	All	021-31337-000	536603
10	Encl Elec H=130.00mm W=130.00mm	All	All	025-45163-000	840936
14	Heating Cable	All	All	025-42119-001	435099
16	Heat Shrink End Cap	All	All	025-42120-000	740059
17	Strap, Cable	All	All	025-39830-000	556821
18	Heating Cable Tape	All	All	025-42146-000	740061
19	Schematic YLAA	All	All	035-21583-105	745286
21	Jumper - Pump Kit	All	All	575-72382-289	832664
27	Locknut, 1/2 Npt, Nylon Black;	All	All	025-34090-000	435354
40	Kit,Elec.YLAA Pump Pkg Sngl Pump W\	All	All	075-75880-300	1053297
	Kit,Elec YLAA Pump Pkg Dual Pump WB			075-75876-300	1053295

TABLE 85 - PUMP SELECTION

PUMP KIT	VOLTS	PIN 60 =		QUANTITY
		SINGLE PUMP PART NUMBER	DUAL PUMP PART NUMBER	
A	17	026-47089-101	026-47089-301	1
	28	026-47089-102	026-47089-302	1
	40	026-47089-103	026-47089-303	1
	46	026-47089-104	026-47089-304	1
	50	026-47089-105	026-47089-305	1
	58	026-47089-106	026-47089-306	1
B	17	026-47089-107	026-47089-307	1
	28	026-47089-108	026-47089-308	1
	40	026-47089-109	026-47089-309	1
	46	026-47089-110	026-47089-310	1
	50	026-47089-111	026-47089-311	1
	58	026-47089-112	026-47089-312	1
C	17	026-47089-113	026-47089-313	1
	28	026-47089-114	026-47089-314	1
	40	026-47089-115	026-47089-315	1
	46	026-47089-116	026-47089-316	1
	50	026-47089-117	026-47089-317	1
	58	026-47089-118	026-47089-318	1
D	17	026-47089-119	026-47089-319	1
	28	026-47089-120	026-47089-320	1
	40	026-47089-121	026-47089-321	1
	46	026-47089-122	026-47089-322	1
	50	—	—	—
	58	026-47089-124	026-47089-324	1
E	17	026-47089-125	026-47089-325	1
	28	026-47089-126	026-47089-326	1
	40	026-47089-127	026-47089-327	1
	46	026-47089-128	026-47089-328	1
	50	026-47089-129	026-47089-329	1
	58	026-47089-130	026-47089-330	1
F	17	026-47089-131	026-47089-331	1
	28	026-47089-132	026-47089-332	1
	40	026-47089-133	026-47089-333	1
	46	026-47089-134	026-47089-334	1
	50	026-47089-135	026-47089-335	1
	58	026-47089-136	026-47089-336	1
G	17	026-47089-137	026-47089-337	1
	28	026-47089-138	026-47089-338	1
	40	026-47089-139	026-47089-339	1
	46	026-47089-140	026-47089-340	1
	50	026-47089-141	026-47089-341	1
	58	026-47089-142	026-47089-342	1

TABLE 85 - PUMP SELECTION (CONT'D)

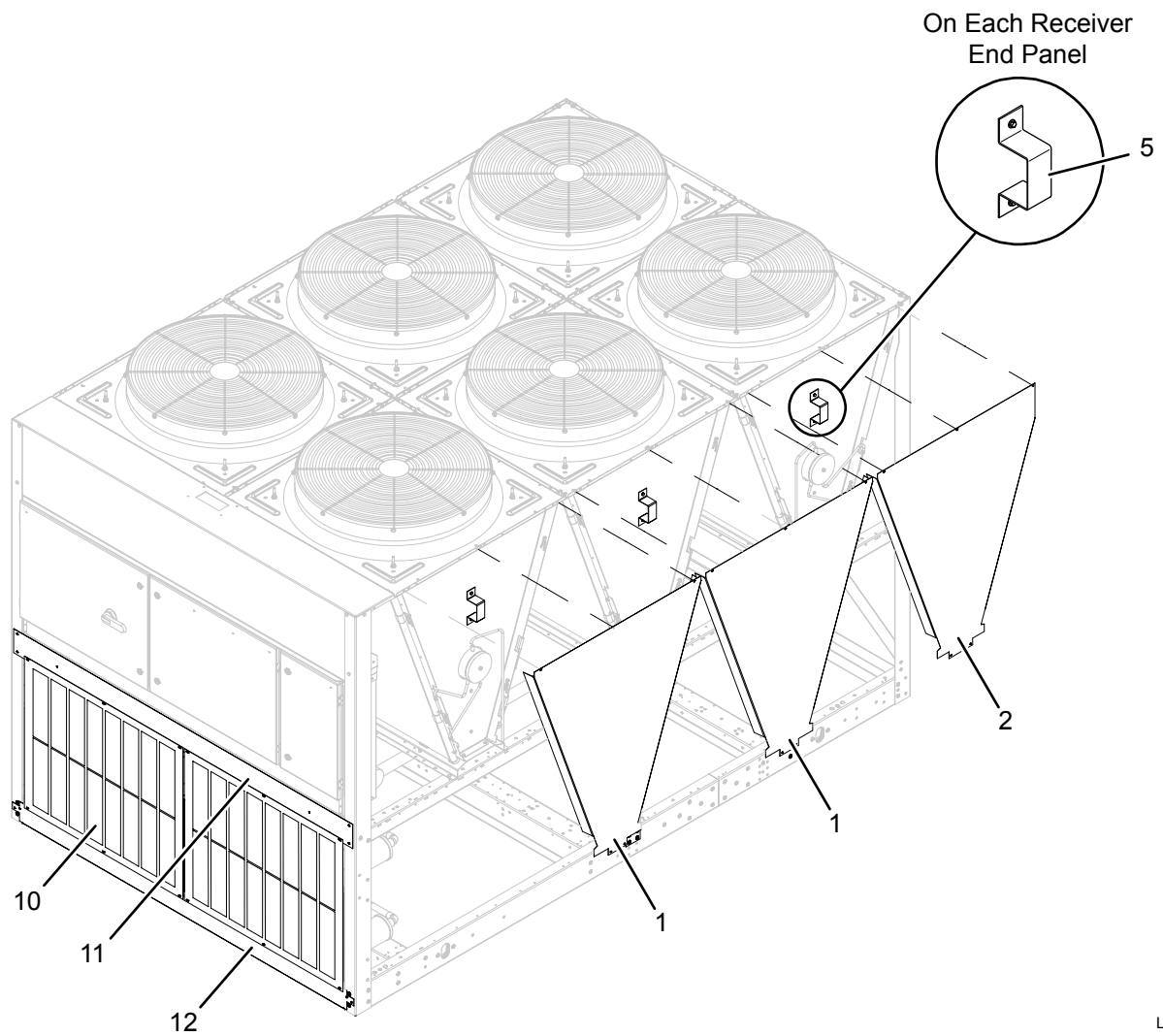
PUMP KIT	VOLTS	PIN 60 =		QUANTITY
		SINGLE PUMP PART NUMBER	DUAL PUMP PART NUMBER	
H	17	026-47089-143	026-47089-343	1
	28	026-47089-144	026-47089-344	1
	40	026-47089-145	026-47089-345	1
	46	026-47089-146	026-47089-346	1
	50	026-47089-147	026-47089-347	1
	58	026-47089-148	026-47089-348	1
I	17	026-47089-149	026-47089-349	1
	28	026-47089-150	026-47089-350	1
	40	026-47089-151	026-47089-351	1
	46	026-47089-152	026-47089-352	1
	50	—	—	—
	58	026-47089-154	026-47089-354	1
J	17	026-47089-155	026-47089-355	1
	28	026-47089-156	026-47089-356	1
	40	026-47089-157	026-47089-357	1
	46	026-47089-158	026-47089-358	1
	50	026-47089-159	026-47089-359	1
	58	026-47089-160	026-47089-360	1
K	17	026-47089-161	026-47089-361	1
	28	026-47089-162	026-47089-362	1
	40	026-47089-163	026-47089-363	1
	46	026-47089-164	026-47089-364	1
	50	026-47089-165	026-47089-365	1
	58	026-47089-166	026-47089-366	1
L	17	026-47089-167	026-47089-367	1
	28	026-47089-168	026-47089-368	1
	40	026-47089-169	026-47089-369	1
	46	026-47089-170	026-47089-370	1
	50	026-47089-171	026-47089-371	1
	58	026-47089-172	026-47089-372	1
M	17	026-47089-173	026-47089-373	1
	28	026-47089-174	026-47089-374	1
	40	026-47089-175	026-47089-375	1
	46	026-47089-176	026-47089-376	1
	50	026-47089-177	026-47089-377	1
	58	026-47089-178	026-47089-378	1
N	17	026-47089-179	026-47089-379	1
	28	026-47089-180	026-47089-380	1
	40	026-47089-181	026-47089-381	1
	46	026-47089-182	026-47089-382	1
	50	026-47089-183	026-47089-383	1
	58	026-47089-184	026-47089-384	1

TABLE 85 - PUMP SELECTION (CONT'D)

PUMP KIT	VOLTS	PIN 60 =		QUANTITY
		SINGLE PUMP PART NUMBER	DUAL PUMP PART NUMBER	
O	17	—	—	—
	28	—	—	—
	40	—	—	—
	46	—	—	—
	50	026-47089-189	026-47089-389	1
	58	—	—	—
P	17	026-47089-191	026-47089-391	1
	28	026-47089-192	026-47089-392	1
	40	026-47089-193	026-47089-393	1
	46	026-47089-194	026-47089-394	1
	50	—	—	—
	58	026-47089-196	026-47089-396	1
R	17	026-47089-203	026-47089-403	1
	28	026-47089-204	026-47089-404	1
	40	026-47089-205	026-47089-405	1
	46	026-47089-206	026-47089-406	1
	50	—	—	—
	58	026-47089-208	026-47089-408	1
S	17	026-47089-209	026-47089-409	1
	28	026-47089-210	026-47089-410	1
	40	026-47089-211	026-47089-411	1
	46	026-47089-212	026-47089-412	1
	50	—	—	—
	58	026-47089-214	026-47089-414	1
T	17	026-47089-215	026-47089-415	1
	28	026-47089-216	026-47089-416	1
	40	026-47089-217	026-47089-417	1
	46	026-47089-218	026-47089-418	1
	50	—	—	—
	58	026-47089-220	026-47089-420	1
U	17	026-47089-221	026-47089-421	1
	28	026-47089-222	026-47089-422	1
	40	026-47089-223	026-47089-423	1
	46	026-47089-224	026-47089-424	1
	50	—	—	—
	58	026-47089-226	026-47089-426	1
V	17	026-47089-197	026-47089-397	1
	28	026-47089-198	026-47089-398	1
	40	026-47089-199	026-47089-399	1
	46	026-47089-200	026-47089-400	1
	50	—	—	—
	58	026-47089-202	026-47089-402	1

TABLE 86 - AESTHETIC PANEL

ITEM	DESCRIPTION	PART NUMBER	SAP NUMBER	FIGURE
1	Aesthetic Vee Panel	075-83175-000	434009	57, 58
2	Aesthetic Vee Panel Right	075-83844-000	759171	57, 58
3	Aesthetic Vee Panel Left	075-83844-001	759172	57, 58
4	Bracket Louver	075-77929-012	434011	57, 58
5	Bracket Louver	075-77929-013	434010	57
10	Panel Enclosure	075-75918-004	447357	57
11	Support Grill/Louver	075-75047-022	438427	57
12	Support Grill/Louver	075-75047-019	438429	57



LD16787

FIGURE 57 - AESTHETIC PANEL

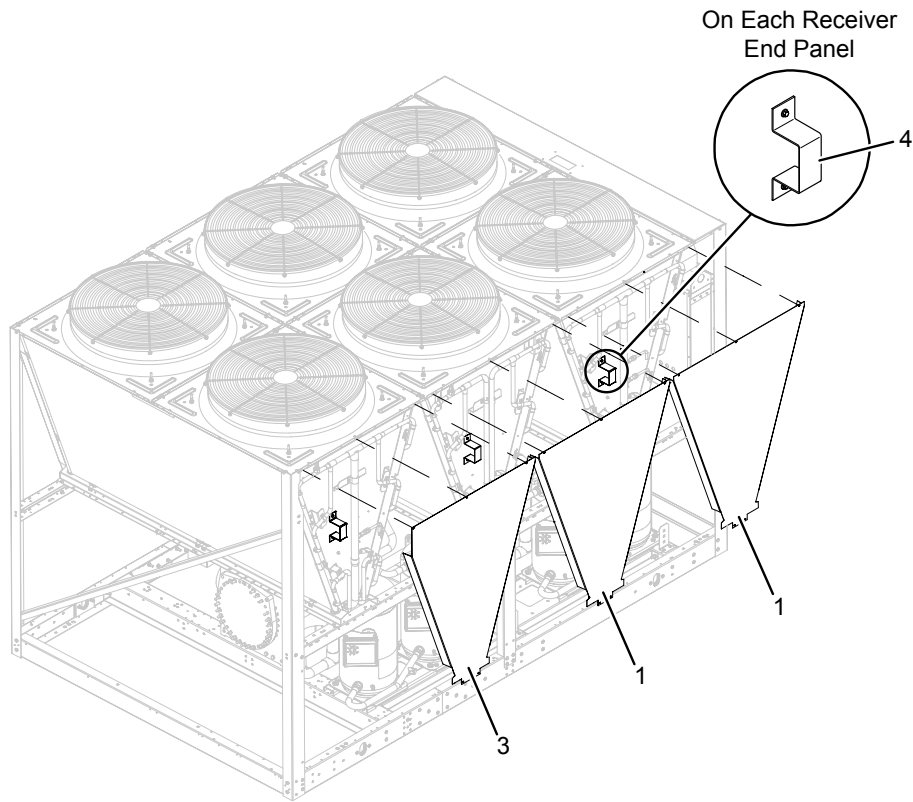


FIGURE 58 - AESTHETIC PANEL

TABLE 87 - KEYPAD OVERLAYS

DESCRIPTION	PART NUMBER	SAP NUMBER
Overlay, Keypad (English)	035-21911-000	745371
Overlay, Keypad (Spanish)	035-21911-050	840788

TABLE 88 - E-LINK KIT

DESCRIPTION	PART NUMBER	SAP NUMBER
E-Link Kit	375-83069-000	795384
E-Link W/Serial Ports (LON)	025-44384-000	740489
E-Link Ipu-li Installation Kit	025-44659-000	740575

TABLE 89 - VIBRATION ISOLATORS PART NUMBERS

NEOPRENE ISOLATOR CROSS REFERENCE (PIN 54 = N)				
**WEIGHT RANGE (LBS.)	WEIGHT RANGE (KG.)	MODEL PART NUMBER	COLOR	YORK PART NUMBER
Up to 826 lbs.	Up to 375 kg.	RD-3	CHARCOAL	029-25335-001
826 to 1689 lbs.	375 to 766 kg.	RD-4	BRICK RED	029-25335-002
1689 to ***4000 lbs.	766 to 1814 kg.	RD-4	CHARCOAL	029-25335-004
ONE INCH DEFLECTION SPRING ISOLATOR CROSS REFERENCE* (PIN 54 = 1) SEE NOTE BELOW				
*WEIGHT RANGE (LBS.)	WEIGHT RANGE (KG.)	MODEL PART NUMBER	COLOR	YORK PART NUMBER
Up to 435 lbs.	Up to 197 kg.	CP-1D-510	BLACK	029-25334-002
435 to 766 lbs.	197 to 347 kg.	CP-1D-900	DARK GREEN	029-25334-003
766 to 1021 lbs.	347 to 463 kg.	CP-1D-1200	GRAY	029-25334-004
1021 to 1157 lbs.	463 to 525 kg.	CP-1D-1360	WHITE	029-25334-005
1157 to ***1785 lbs.	525 to 810 kg.	CP-1D-1785N	GRAY/RED	029-25334-006
Up to 1149 lbs.	Up to 521 kg.	C2P-1D-1350	DARK PURPLE	029-25334-008
1149 to 1531 lbs.	521 to 694 kg.	C2P-1D-1800	DARK GREEN	029-25334-009
1531 to 2041 lbs.	694 to 926 kg.	C2P-1D-2400	GRAY	029-25334-010
2041 to 2313 lbs.	926 to 1049 kg.	C2P-1D-2720	WHITE	029-25334-012
2313 to ***3570 lbs.	1049 to 1619 kg.	C2P-1D-3570N	GRAY/ RED	029-25334-013
TWO INCH DEFLECTION, SEISMIC SPRING ISOLATOR CROSS REFERENCE (PIN 54 = S)				
*WEIGHT RANGE (LBS.)	WEIGHT RANGE (KG.)	MODEL PART NUMBER	COLOR	YORK PART NUMBER
Up to 392 lbs.	Up to 178 kg.	Y2RSI-2D-460	GREEN	029-25336-006
392 to 605 lbs.	178 to 274 kg.	Y2RSI-2D-710	DARK BROWN	029-25336-008
605 to 741 lbs.	274 to 336 kg.	Y2RSI-2D-870	RED	029-25336-009
741 to 1021 lbs.	336 to 463 kg.	Y2RSI-2D-1200N	RED/BLACK	029-25336-010
1021 to 1438 lbs.	463 to 652 kg.	Y2RSI-2D-1690	PINK	029-25336-011
1438 to 2245 lbs.	652 to 1018 kg.	Y2RSI-2D-2640N	PINK/GRAY	029-25336-012
2245 to 2619 lbs.	1018 to 1188 kg.	Y2RSI-2D-2870N	PINK/GRAY/ORANGE	029-25336-013
2619 to ***3740 lbs.	1188 to 1697 kg.	Y2RSI-2D-3280N	PINK/GRAY/DARK BROWN	029-25336-014

* Value is de-rated by 15%.

** Value is de-rated by 25%.

*** Value is not de-rated.

Note: One Inch Deflection Spring Isolators must all be of the same class for the entire unit.
Must use C2P's at all locations on a selected unit, or all CP's.

TABLE 90 - FIELD INSTALLED OPTIONS PART NUMBERS

MODEL NUMBER YLAA	CHICAGO RELIEF VALVE	STANDARD 150# FLOW SWITCH	VICTAULIC FLANGE KIT		ACOUSTIC SOUND BLANKET KIT	HOTGAS BY-PASS SOLENOID VALVE W/ HARNESS		
			Pin 59 = X	Pin 59 = A-V		392-18510	392-19930	392-14451
MODEL	022-10682				010-06507			
58	**		023-19047-000	023-19047-000	-010	-008	n/a	n/a
65	**					-009		
70	**					-000		
80	-001					-010		
81						-000		
89						-000		
92								
100								
101								
115								
120								
125			023-19048-000	023-19048-000	-000	n/a	-002	
136							-004	
142								
150								
155								
156								
170								
175								

**Chicago Code Requirements are met with standard relief.

TABLE 91 - CONTROL TRANSFORMER

DESCRIPTION	MODEL	VOLTAGE	KIT PART NUMBER	TRANSFORMER ONLY
Kit, Control Trans 200/3/60	YLAA0058 - YLAA0175	17	392-07708-001	025-34493-000
		28	392-07708-002	025-37605-000
		40	392-07708-003	025-34493-000
		46	392-07708-004	025-37605-000
		58	392-07708-005	025-37633-000

TABLE 92 - CONSUMABLES

DESCRIPTION	PART NUMBER	SAP NUMBER
Adhesive Scotch Grip 1357	013-02297-000	616579
Compound Heat Conductive 4oz	013-00898-000	616572
Insulation Thermal 3/4" Thick	010-05997-000	728830
Insulation Thermal 4-1/2 Id X 1/2	010-03686-000	728790
Insulation Armaflex 1 3/8 Tube	010-00012-000	728971
Insulation Thermal 3-1/2 Id X 1/2	010-07731-000	728853
Compressor Oil Bitzer, PVE (1-quart container)	011-00981-000	729008
Compressor Oil Bitzer, PVE (5-gallon container)	011-00982-000	729009
Tape Electric Insulation 3/4 Wide	025-15093-000	686102
Tape, Corrosion Protection	025-40318-000	739789
Thermal Insulation Tape	010-06553-000	728847
Thermal Insulation Sheet	010-06548-000	728846

TABLE 93 - RECOMMENDED SPARES

DESCRIPTION	PIN OPTION	PART NUMBER	SAP
Fan Motor, Standard	(PIN 11,12) -17	024-27322-103	735401
	(PIN 11,12) -28	024-27322-106	735403
	(PIN 11,12) -40	024-27322-104	735402
	(PIN 11,12) -46	024-27322-107	735404
	(PIN 11,12) -58	024-27322-102	735400
Fan Motor, Low Noise	(PIN 11,12) -17	024-34980-102	736129
	(PIN 11,12) -28		
	(PIN 11,12) -40	024-34980-105	736132
	(PIN 11,12) -46	024-34980-101	736128
	(PIN 11,12) -58	024-34980-103	736130
Fan Blade, Standard	-	026-41594-000	741043
Fan Blade, Low Noise	-	026-41592-000	741042
Valve, Thermal Expansion (YLAA0070-YLAA0090)	(PIN 29,30) >10	025-42426-025	520120
	(PIN 29,30) >30	025-40681-000	739877
Valve, Thermal Expansion (YLAA0091)	(PIN 29,30) >10	025-42426-025	520120
Valve, Thermal Expansion (YLAA0100-YLAA0120)	(PIN 29,30) >10	025-42426-050	516656
Valve, Thermal Expansion (YLAA0091-YLAA0101)	(PIN 29,30) >30	025-40681-000	739877
Valve, Thermal Expansion (YLAA0115-YLAA0120)	(PIN 29,30) >30	025-41743-000	740010
Core, Dehydrator	-	026-37540-000	740964
Oil, Compressor (Type "V") 6-1 gallon	-	011-00948-000	62387
Oil, Compressor (Type "V") 5 gallon	-	011-00949-000	729001
Micro, I/O Kit	-	331-02550-101	406668
Flashcard	-	031-02755-004	744085
Sensor, Outside Air Temperature	-	025-28663-001	427369
Sensor, Entering Water Temperature	-	025-40334-000	739796
Sensor, Leaving Water Temperature	-	025-40334-000	739796
Transducer, Suction Pressure (0-400psi)	-	025-41756-002	392054
Transducer, Discharge Pressure (0-650psi)	-	025-41756-003	392055

The following factors can be used to convert from English to the most common SI Metric values.

TABLE 94 - SI METRIC CONVERSION

MEASUREMENT	MULTIPLY ENGLISH UNIT	BY FACTOR	TO OBTAIN METRIC UNIT
Capacity	Tons Refrigerant Effect (ton)	3.516	Kilowatts (kW)
Power	Horsepower	0.7457	Kilowatts (kW)
Flow Rate	Gallons / Minute (gpm)	0.0631	Liters / Second (l/s)
Length	Feet (ft)	0.3048	Meters (m)
	Inches (in)	25.4	Millimeters (mm)
Weight	Pounds (lbs)	0.4538	Kilograms (kg)
Velocity	Feet / Second (fps)	0.3048	Meters / Second (m/s)
Pressure Drop	Feet of Water (ft)	2.989	Kilopascals (kPa)
	Pounds / Square Inch (psi)	6.895	Kilopascals (kPa)

TEMPERATURE

To convert degrees Fahrenheit (°F) to degrees Celsius (°C), subtract 32° and multiply by 5/9 or 0.5556.

Example: $(45.0^{\circ}\text{F} - 32^{\circ}) \times 0.5556 = 27.2^{\circ}\text{C}$

To convert a temperature range (i.e., a range of 10°F) from Fahrenheit to Celsius, multiply by 5/9 or 0.5556.

Example: $10.0^{\circ}\text{F range} \times 0.5556 = 5.6^{\circ}\text{C range}$



P.O. Box 1592, York, Pennsylvania USA 17405-1592

Copyright © by Johnson Controls 2014

Form 150.72-RP6 (614)

Issue Date: June 13, 2014

NEW RELEASE

800-861-1001

www.johnsoncontrols.com

Subject to change without notice. Printed in USA

ALL RIGHTS RESERVED