



BY JOHNSON CONTROLS

OPTISPEED™ VARIABLE SPEED DRIVE

REPLACEMENT PARTS

Supersedes: Form 160.84-RP3 (1014)

Form 160.84-RP3 (115)

MODELS
HYP0490
HYP0612A
HYP0774



490 AMPS – 50/60 HZ, 380-460 VAC (P/N 371-06569-XXX)
612 AMPS – 50/60 HZ, 380-460 VAC (P/N 371-06336-XXX)
774 AMPS – 50/60 HZ, 380-460 VAC (P/N 371-05992-XXX)

Issue Date:
January 30, 2015



IMPORTANT!

READ BEFORE PROCEEDING!

GENERAL SAFETY GUIDELINES

This equipment is a relatively complicated apparatus. During installation, operation maintenance or service, individuals may be exposed to certain components or conditions including, but not limited to: refrigerants, materials under pressure, rotating components, and both high and low voltage. Each of these items has the potential, if misused or handled improperly, to cause bodily injury or death. It is the obligation and responsibility of operating/service personnel to identify and recognize these inherent hazards, protect themselves, and proceed safely in completing their tasks. Failure to comply with any of these requirements could result in serious damage to the equipment and the property in

which it is situated, as well as severe personal injury or death to themselves and people at the site.

This document is intended for use by owner-authorized operating/service personnel. It is expected that these individual possess independent training that will enable them to perform their assigned tasks properly and safely. It is essential that, prior to performing any task on this equipment, this individual shall have read and understood this document and any referenced materials. This individual shall also be familiar with and comply with all applicable governmental standards and regulations pertaining to the task in question.

SAFETY SYMBOLS

The following symbols are used in this document to alert the reader to specific situations:



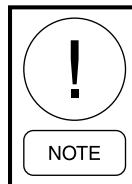
Indicates a possible hazardous situation which will result in death or serious injury if proper care is not taken.



Identifies a hazard which could lead to damage to the machine, damage to other equipment and/or environmental pollution if proper care is not taken or instructions are not followed.



Indicates a potentially hazardous situation which will result in possible injuries or damage to equipment if proper care is not taken.



Highlights additional information useful to the technician in completing the work being performed properly.



External wiring, unless specified as an optional connection in the manufacturer's product line, is not to be connected inside the control cabinet. Devices such as relays, switches, transducers and controls and any external wiring must not be installed inside the micro panel. All wiring must be in accordance with Johnson Controls' published specifications and must be performed only by a qualified electrician. Johnson Controls will NOT be responsible for damage/problems resulting from improper connections to the controls or application of improper control signals. Failure to follow this warning will void the manufacturer's warranty and cause serious damage to property or personal injury.

CHANGEABILITY OF THIS DOCUMENT

In complying with Johnson Controls' policy for continuous product improvement, the information contained in this document is subject to change without notice. Johnson Controls makes no commitment to update or provide current information automatically to the manual owner. Updated manuals, if applicable, can be obtained by contacting the nearest Johnson Controls Service office or accessing the Johnson Controls QuickLIT website at <http://cgproducts.johnsoncontrols.com>.

Operating/service personnel maintain responsibility for the applicability of these documents to the equipment. If there is any question regarding the applicability of these documents, the technician should verify whether the equipment has been modified and if current literature is available from the owner of the equipment prior to performing any work on the chiller.

CHANGE BARS

Revisions made to this document are indicated with a line along the left or right hand column in the area the revision was made. These revisions are to technical information and any other changes in spelling, grammar or formatting are not included.

NOTES

Throughout this parts guide there are special notes calling attention to various parts and ordering instructions for those parts. Please read these notes carefully and follow the instructions to ensure you receive all the replacement parts necessary to complete the service.

HOW TO USE RENEWAL PARTS MANUALS

Johnson Controls offers an assortment of replacements parts for Johnson Controls, YORK and UPG units. Each replacement part is manufactured and fitted for a specific model. This Replacement Parts Manual is for standard Johnson Controls units. Chiller units built with special options, modifications, or conversions are not covered in this manual.

This Replacement Parts Manual provides Johnson Controls chiller replacement parts by part numbers, descriptions, quantities and drawing figures. To determine the correct replacement part, locate the item on drawing figure and refer to the parts list for the part number, description and quantity.

NOTE: Provide a unit model number, unit serial number and part number when requesting a quotation or placing an order. Failure to include this information may delay processing of your request.

Model and Serial Number Locations:

- **Unit** - Namplate on side of Control Panel
- **Compressor** - Namplate on Compressor Housing
- **VSD** - Namplate on VSD Panel

Contact the following sources to order parts.

NORTH AMERICA

Baltimore Parts Center Contractors within USA

Telephone: (800)-932-1701

Equipment Owners within USA who maintain their own equipment

Telephone: (800)-482-2778

Email: cg-baltimore-parts-customer@jci.com

For parts availability and ordering YORK HVAC Parts within the USA please use the following link:

http://www.johnsoncontrols.com/content/us/en/products/building_efficiency/products-and-systems/integrated_hvac_systems/parts_center/baltimorepartscenter.html

EUROPE

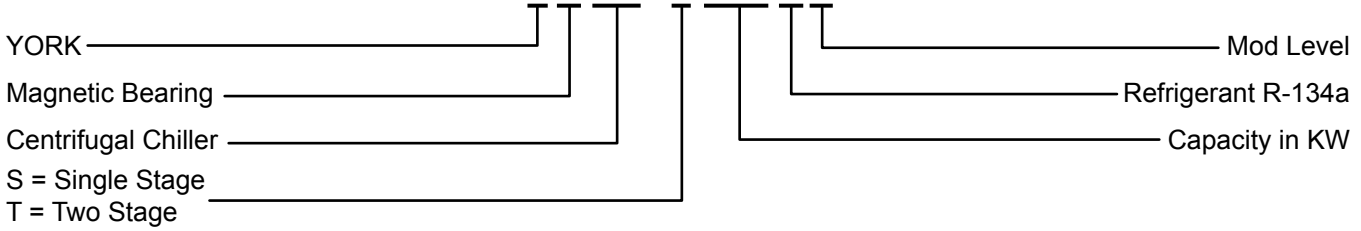
HVAC Parts Centre (Europe)

Telephone: +44 (0) 1268 246 400

Email: ALLParts@jci.com

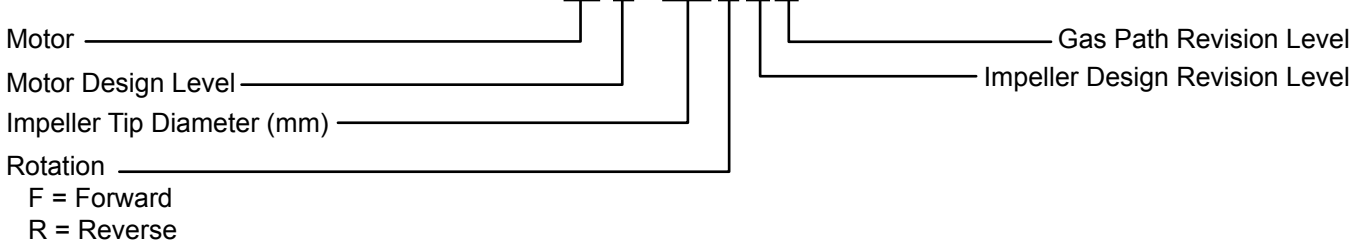
SYSTEM NOMENCLATURE

Y M C 2 - S 1301 A B



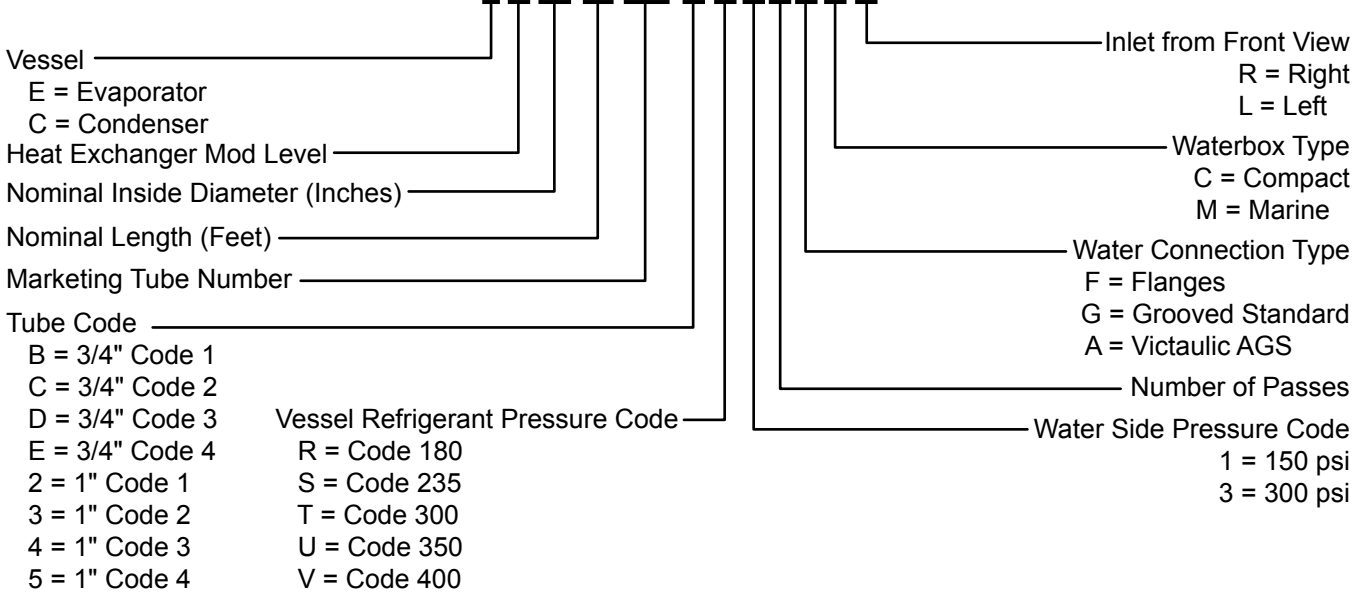
COMPRESSOR NOMENCLATURE

M2 B - 205 F A A



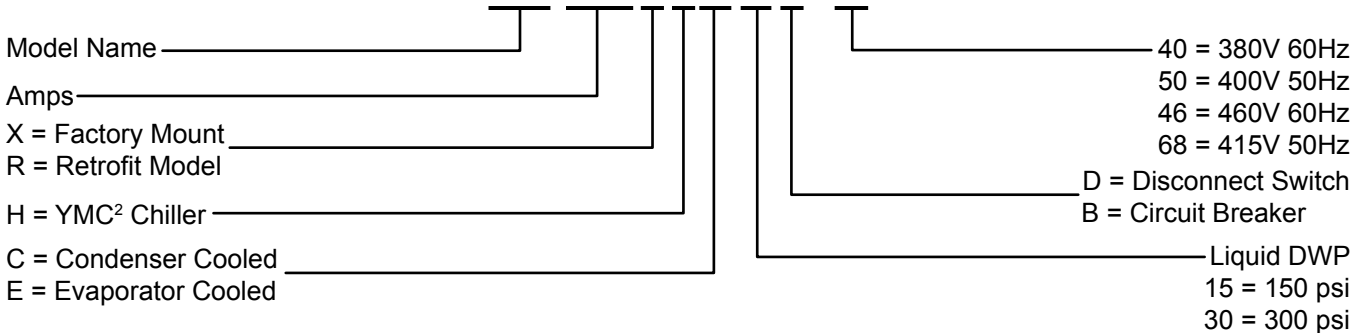
VESSEL NOMENCLATURE

E A 25 10 321 C S 1 2 G C R



VARIABLE SPEED DRIVE NOMENCLATURE

HYP 0774 X H C 15 D - 46



LIST OF TABLES

SECTION 1 - 0490 AMP VARIABLE SPEED DRIVE	9
TABLE 1 - Input Components (0490 Amps).....	9
TABLE 2 - Fuse Components (0490 Amps).....	13
TABLE 3 - Door Components (0490 Amps).....	15
TABLE 4 - Cooling System Components (0490 Amps).....	16
TABLE 5 - Power Assembly Components (0490 Amps)	18
TABLE 6 - Output Components (0490 Amps).....	19
TABLE 7 - Drive Logic Board and Components (0490 Amps)	21
TABLE 8 - Miscellaneous Components (0490 Amps).....	22
TABLE 9 - Wiring Harnesses and Connectors (0490 Amps)	23
TABLE 10 - Power Wiring Section (0490 Amps).....	25
SECTION 2 - 0612 AMP VARIABLE SPEED DRIVE	27
TABLE 11 - Input Components (0612 Amps).....	27
TABLE 12 - Fuse Components (0612 Amps).....	32
TABLE 13 - Door Components (0612 Amps).....	34
TABLE 14 - Cooling System Components (0612 Amps).....	35
TABLE 15 - Power Assembly Components (0612 Amps)	38
TABLE 16 - Output Components (0612 Amps).....	39
TABLE 17 - Drive Logic Board and Components (0612 Amps)	41
TABLE 18 - Miscellaneous Components (0612 Amps).....	42
TABLE 19 - Wiring Harnesses and Connectors (0612 Amps)	43
TABLE 20 - Power Wiring Section (0612 Amps).....	45
SECTION 3 - 0774 AMP VARIABLE SPEED DRIVE	47
TABLE 21 - Input Components (0774 Amps).....	47
TABLE 22 - Fuse Components (0774 Amps).....	50
TABLE 23 - Door Components (0774 Amps).....	52
TABLE 24 - Cooling System Components (0774 Amps).....	53
TABLE 25 - Power Assembly Components (0774 Amps)	57
TABLE 26 - Output Components (0774 Amps).....	59
TABLE 27 - Drive Logic Board and Components (0774 Amps)	61
TABLE 28 - Miscellaneous Components (0774 Amps).....	62
TABLE 29 - Wiring Harnesses and Connectors (0774 Amps)	63
TABLE 30 - Power Wiring Section (0774 Amps).....	65

LIST OF FIGURES

SECTION 1 - 0490 AMP VARIABLE SPEED DRIVE	9
FIGURE 1 - Circuit Breaker (CB).....	9
FIGURE 2 - Disconnect Switch (DS).....	10
FIGURE 3 - Input Current Transducer (DCCT)	10
FIGURE 4 - Input Filter Capacitor Assembly	11
FIGURE 5 - Left Side of VSD Enclosure	11
FIGURE 6 - Input Inductor (L1, L2)	12
FIGURE 7 - Resistor Assembly	12
FIGURE 8 - Fuses and Fuse Holders (4FU-8FU & 21FU)	13
FIGURE 9 - Fuses and Fuse Holders (14FU, 15FU, 19FU & 22FU-24FU))	14
FIGURE 10 - Input Power Fuses (1FU-3FU).....	14
FIGURE 11 - Door Components.....	15
FIGURE 12 - Cooling System Components	17
FIGURE 13 - Cooling System Components	17
FIGURE 14 - Power Assembly Components.....	18
FIGURE 15 - Output Components.....	19
FIGURE 16 - Harmonic Filter	20
FIGURE 17 - Drive Logic Board and Components.....	21
FIGURE 18 - Miscellaneous Components.....	22
SECTION 2 - 0612 AMP VARIABLE SPEED DRIVE	27
FIGURE 19 - Circuit Breaker (CB).....	27
FIGURE 20 - Disconnect Switch (DS).....	28
FIGURE 21 - Input Current Transducer (DCCT)	28
FIGURE 22 - Input Filter Capacitor Assembly	29
FIGURE 23 - Left Side of VSD Enclosure	29
FIGURE 24 - Input Inductor (L1, L2)	30
FIGURE 25 - Resistor Assembly	30
FIGURE 26 - Supply Contactor	31
FIGURE 27 - Fuses and Fuse Holders.....	33
FIGURE 28 - Door Components.....	34
FIGURE 29 - Internal Cooling System Components	36
FIGURE 30 - External Cooling System Components.....	37
FIGURE 31 - Power Assembly Components.....	38
FIGURE 32 - Output Components.....	39
FIGURE 33 - Output Harmonic Filter Components	40
FIGURE 34 - Drive Logic Board and Components.....	41
FIGURE 35 - Miscellaneous Components.....	42

LIST OF FIGURES (CONT'D)

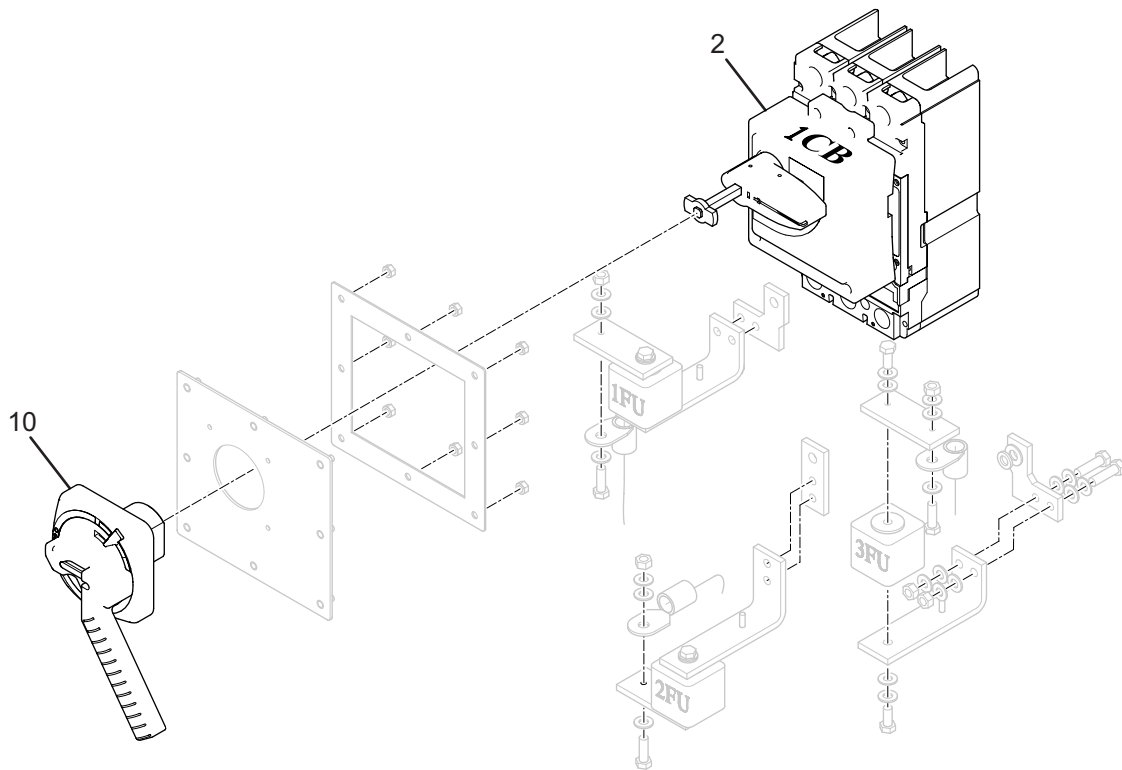
SECTION 3 - 0774 AMP VARIABLE SPEED DRIVE	47
FIGURE 36 - Circuit Breaker (CB).....	47
FIGURE 37 - Disconnect Switch (DS).....	48
FIGURE 38 - Current Transducer (DCCT)	48
FIGURE 39 - Input Filter Components	49
FIGURE 40 - Fuses and Fuse Holders (1FU-10FU, 19FU-21FU & 27FU)	50
FIGURE 41 - Auxiliary Fuses (19FU-21FU)	51
FIGURE 42 - Fuses and Fuse Holders (11FU-15FU).....	51
FIGURE 43 - Door Components.....	52
FIGURE 44 - External Cooling System	54
FIGURE 45 - Internal Cooling System.....	54
FIGURE 46 - Internal Cooling System.....	55
FIGURE 47 - Internal Cooling System.....	55
FIGURE 48 - Inductor Cooling.....	56
FIGURE 49 - Power Assembly Components.....	57
FIGURE 50 - Power Pole Assembly	58
FIGURE 51 - Output Harmonic Filter Components #1	59
FIGURE 52 - Output Harmonic Filter Components #2	60
FIGURE 53 - Drive Logic Board and Components.....	61
FIGURE 54 - Miscellaneous Components.....	62

THIS PAGE INTENTIONALLY LEFT BLANK.

SECTION 1 - 0490 AMP VARIABLE SPEED DRIVE

TABLE 1 - INPUT COMPONENTS (0490 AMPS)

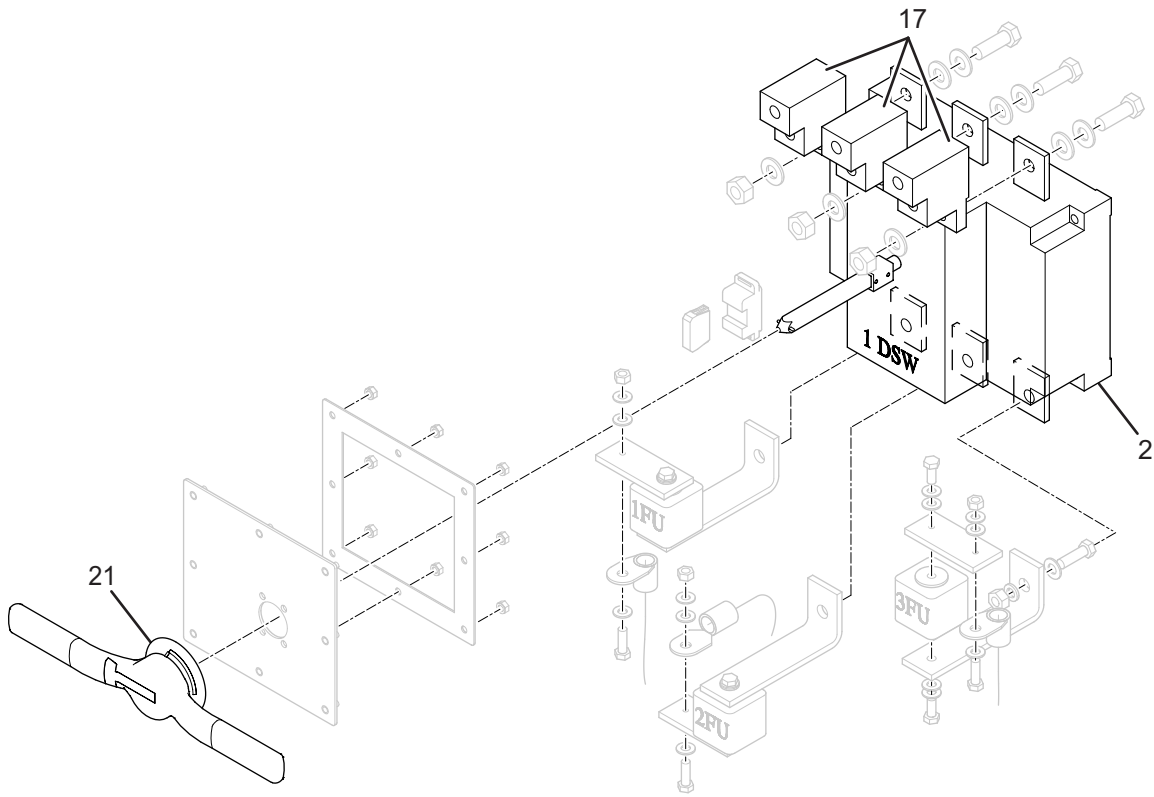
ITEM NUMBER	DESCRIPTION	YORK PART NUMBER	SAP PART NUMBER	QUANTITY	FIGURE
2	Circuit Breaker	224-37879-000	839940	1	1
10	Circuit Breaker Handle	024-35429-000	736285		
29	Damping Resistor Kit (includes 2 resistors & bracket)	025-45521-000	873884	3	7
2	Disconnect Switch	024-37442-000	839733	1	2
21	Disconnect Switch Handle	024-36614-000	736390		
17	Disconnect Switch Lug Kit	025-42181-000	680131		
41	Ground Lug	025-35173-000	117722	1	5
22	Input Current Transducer (DCCT)	025-42748-000	740133	3	3
9	Input Filter Assembly	371-05614-341	839967	1	4
1	Input Filter Capacitor for Assembly	025-44490-000	839745	6	4
1	Input Filter Capacitor with Resistor	025-43928-000	740379	1	5
7	Input Filter Resistor for Assembly	025-42616-000	740130	4	4/5
8	Input Inductor (1L & 2L) 340 lbs (154 Kg)	025-44458-000	835714	1	6
13	Input Power Wiring (wiring between 1FU - 3FU and 1L/2L)	571-06569-231	1059326	1	6
40	Input Voltage Isolator Board	031-02022-000	65064	1	5
15	Voltage Transient Board (Fuses are not included)	031-02453-000	743895	1	5



LD16521a

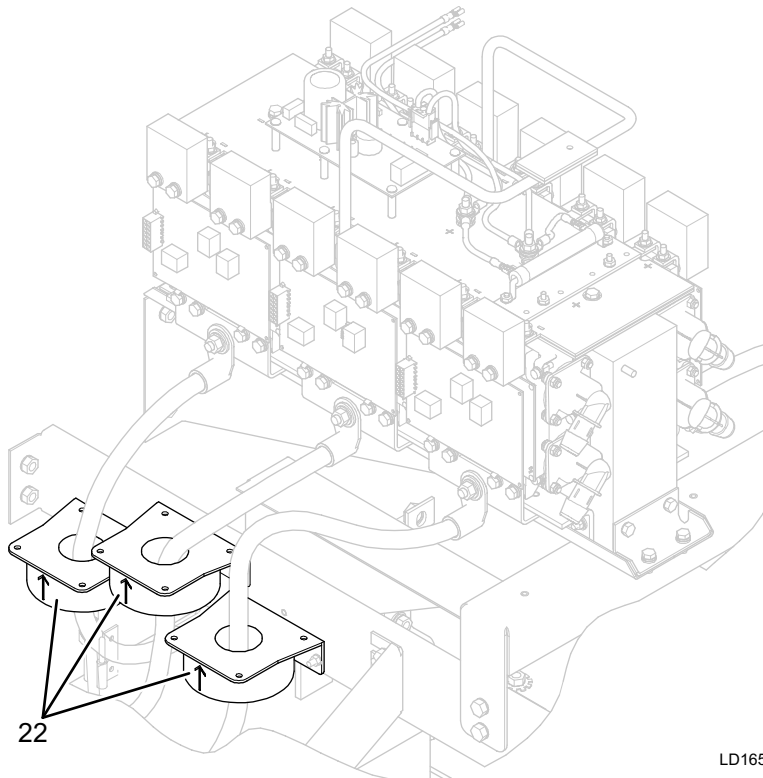
FIGURE 1 - CIRCUIT BREAKER (CB)

0490 AMP VARIABLE SPEED DRIVE



LD16522a

FIGURE 2 - DISCONNECT SWITCH (DS)



LD16523a

FIGURE 3 - INPUT CURRENT TRANSDUCER (DCCT)

0490 AMP VARIABLE SPEED DRIVE

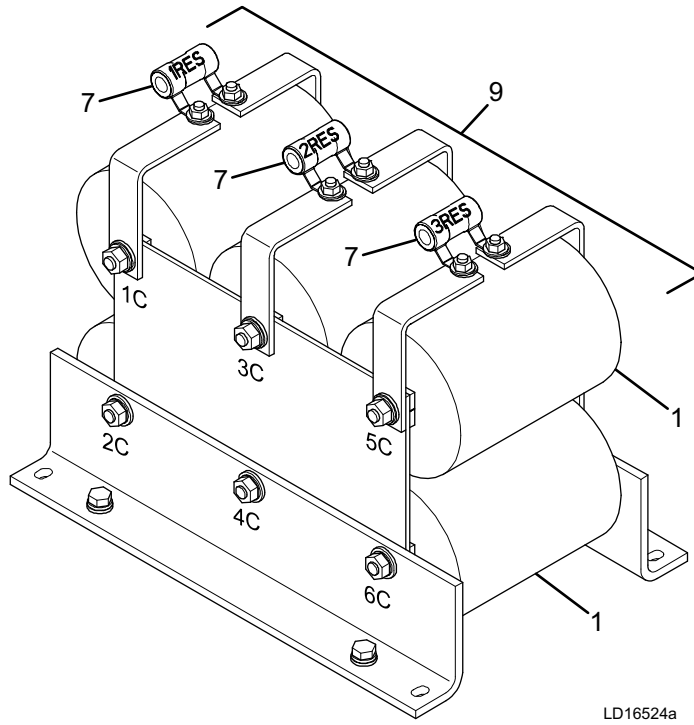


FIGURE 4 - INPUT FILTER CAPACITOR ASSEMBLY

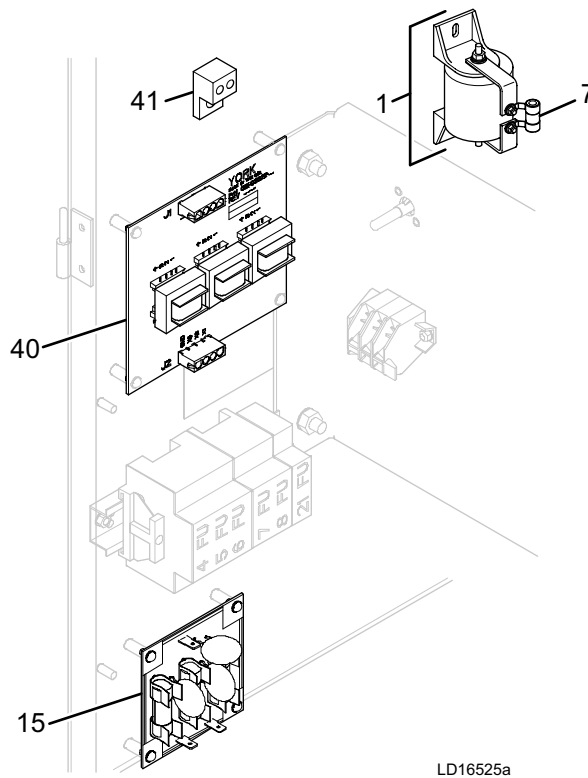
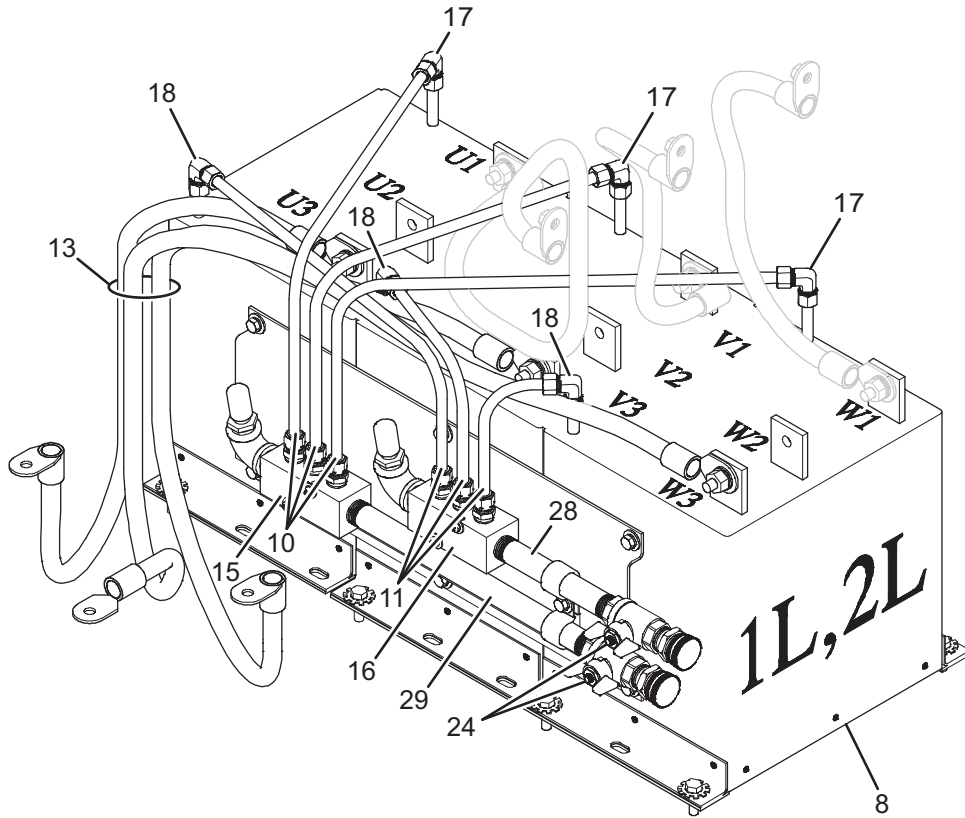


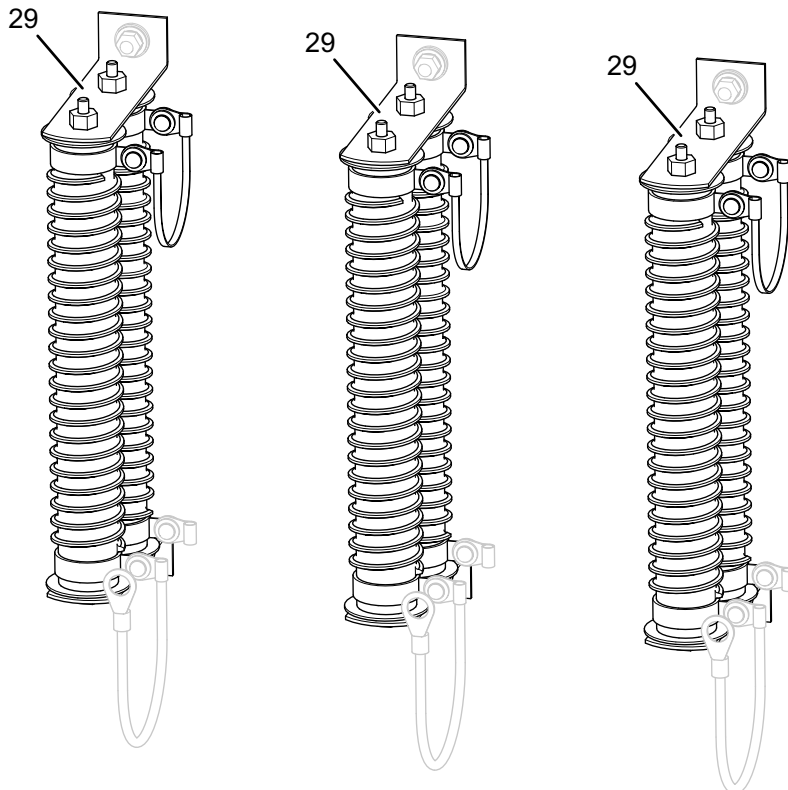
FIGURE 5 - LEFT SIDE OF VSD ENCLOSURE

0490 AMP VARIABLE SPEED DRIVE



LD16526a

FIGURE 6 - INPUT INDUCTOR (L1, L2)



LD16538a

FIGURE 7 - RESISTOR ASSEMBLY

0490 AMP VARIABLE SPEED DRIVE

TABLE 2 - FUSE COMPONENTS (0490 AMPS)

ITEM NUMBER	DESCRIPTION	YORK PART NUMBER	SAP PART NUMBER	QUANTITY	FIGURE
117	Fuse 1 AMP (4FU-6FU & 22FU-24FU)	025-43326-000	740259	6	8/9
105	Fuse 5 AMP Voltage Transient Board Fuses (16FU-18FU)	025-38523-000	739590	3	8
119	Fuse 5 AMP (19FU)	025-35901-000	-	1	9
122	Fuse 6 AMP (15FU)	025-35902-000	264466	1	9
12	Fuse 15 AMP 400-460 VAC 60 Hz, 400-415 VAC 50 Hz (7FU & 8FU)	025-35907-000	117822	2	8
118	Fuse 20 AMP (14FU & 21FU)	025-35908-000	117823	2	8/9
34	1 Pole Fuse Holder 30A	025-39951-000	359985	4	8/9
33	2 Pole Fuse Holder 30A	025-44520-000	740518	1	8
27	3 Pole Fuse Holder 30A	025-39952-000	343433	2	8/9
4	Input Power Fuse (1FU-3FU set of three)	371-05614-601	-	1	10

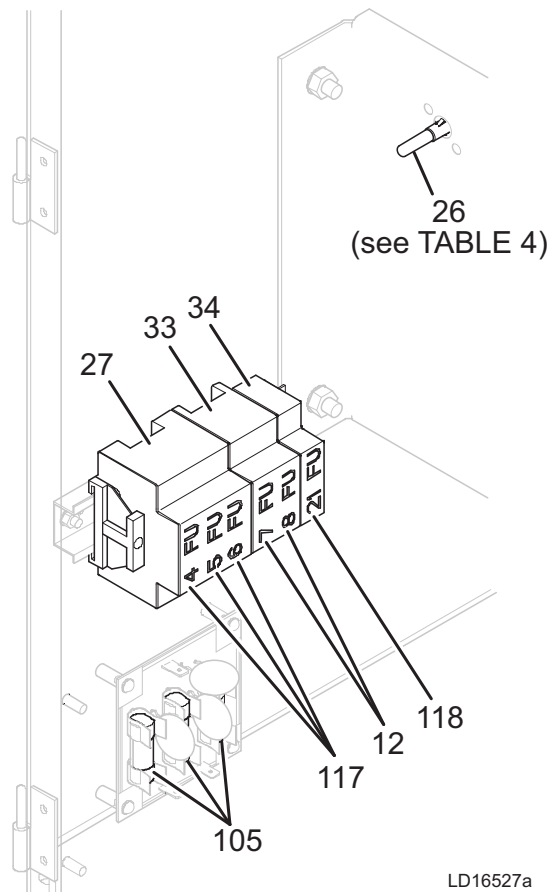


FIGURE 8 - FUSES AND FUSE HOLDERS (4FU-8FU & 21FU)

0490 AMP VARIABLE SPEED DRIVE

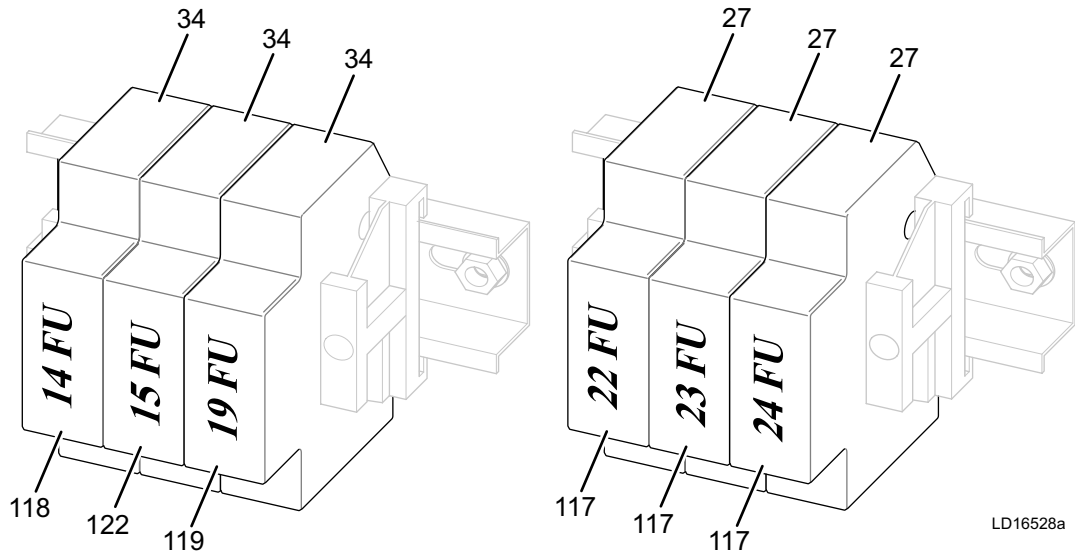


FIGURE 9 - FUSES AND FUSE HOLDERS (14FU, 15FU, 19FU & 22FU-24FU))

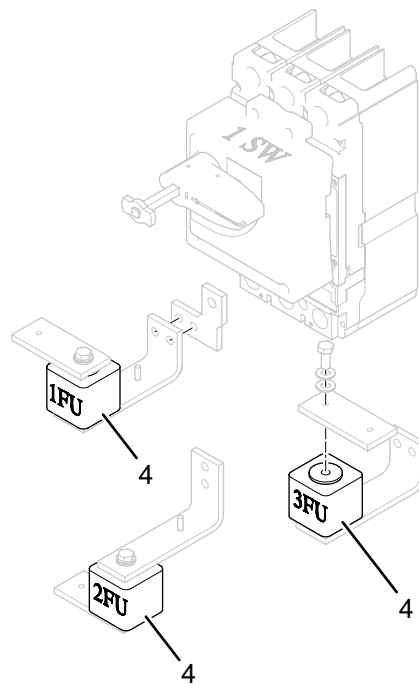
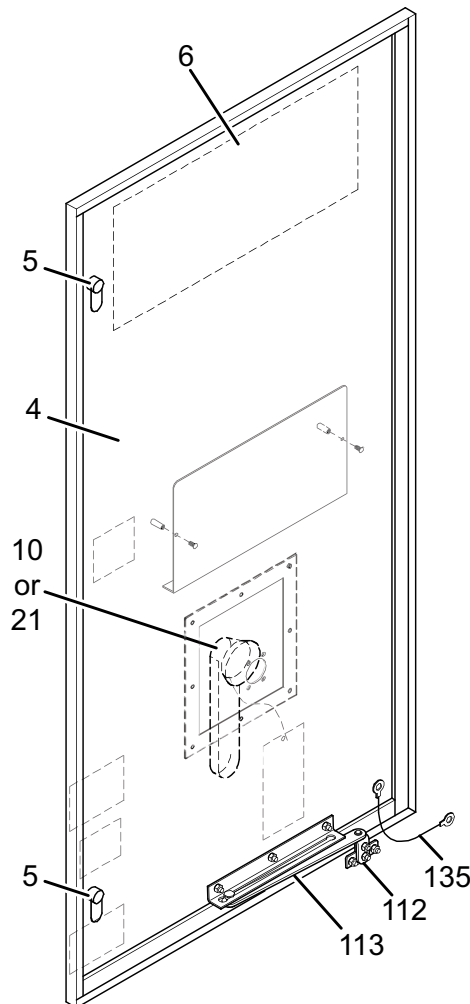


FIGURE 10 - INPUT POWER FUSES (1FU-3FU)

0490 AMP VARIABLE SPEED DRIVE

TABLE 3 - DOOR COMPONENTS (0490 AMPS)

ITEM NUMBER	DESCRIPTION	YORK PART NUMBER	SAP PART NUMBER	QUANTITY	FIGURE
10	Circuit Breaker Door Mounting Kit	024-35429-000	736285	1	11
21	Disconnect Switch Handle	024-36614-000	736390	1	11
135	Door Ground Strap	525-32508-001	806677	2	11
4	Door Kit Left 60 Hz (Including all labels and latches)	371-05614-651	-	1	11
	Door Kit Left 50 Hz (Including all labels and latches)	371-05614-653	-		
	Door Kit Right 60 Hz (Including all labels and latches)	371-05614-656	-		
	Door Kit Right 50 Hz (Including all labels and latches)	371-05614-658	-		
5	Door Latch	029-25614-000	743380	4	11
113	Door Stop	029-23420-000	119865	1	11
112	Door Stop Mounting Plate	371-05614-553	840001	1	11
6	Label Front Door JCI Logo	035-23036-000	745608	1	11



LD14665a

FIGURE 11 - DOOR COMPONENTS

0490 AMP VARIABLE SPEED DRIVE

TABLE 4 - COOLING SYSTEM COMPONENTS (0490 AMPS)

ITEM NUMBER	DESCRIPTION	YORK PART NUMBER	SAP PART NUMBER	QUANTITY	FIGURE
1	Coolant Drain Valve	022-12207-000	839729	1	13
2	Coolant Drain Valve Cap	025-25526-000	-	1	13
3	Coolant Hose Barb Straight Kit (hose barb & hose)	371-05571-626	-	2	12
4	Coolant Hose Barb Elbow Kit (hose barb & hose)	371-05571-631	-	2	12
5	Coolant Hose Clamp 1"	023-08856-000	617439	26	12/13
6	Coolant Hose Clamp 2"	021-32226-000	730939	4	13
7	Coolant Hose External 1 1/2"	028-16373-000	742214	17"	13
8	Coolant Hose External 3/4 " ID by the foot (To the power panel)	028-16692-000	864411	70"	13
9	Coolant Hose Internal 3/4 " ID by the foot	028-16768-000	1056103	-	12/16
10	Coolant Hose on Inductor 3/8 "	325-44864-607	-	-	6/16
11	Coolant Hose on Inductor 1/2 "	325-44864-618	-	-	6/16
12	Coolant Manifold Supply Kit	371-06569-636	-	1	12
13	Coolant Manifold Return Kit	371-06569-641	-	1	12
14	Coolant Manifold Clamp	028-16554-000	839771	2	12
15	Coolant Manifold on Inductors 3/8"	325-44864-603	-	2	6/16
16	Coolant Manifold on Inductors 1/2"	325-44864-615	-	2	6/16
17	Coolant Manifold on Inductors Fittings Elbow 3/8"	325-44864-609	-	6	6/16
18	Coolant Manifold on Inductors Fittings Elbow 1/2"	325-44864-616	-	6	6/16
19	Coolant Pump	026-33890-000	3590	1	13
20	Coolant Pump Flange Set	023-20283-000	733193	1	13
21	Coolant Reservoir Fill Plug	028-16378-000	742218	1	13
22	Coolant Reservoir Hose Clamp	021-19150-000	564227	1	13
23	Coolant Reservoir 3" PVC with Fill Plug Kit	371-05614-671	-	1	13
24	Coolant Valves on Inductors	325-44864-605	-	4	6
25	Elbow 45°	028-16369-000	742210	1	13
26	Enclosure Temperature Sensor with connector	571-05182-283	807091	2	8/18
27	Flow Restrictor	028-16620-000	839778	2	12
	Inhibitor	013-02987-000	-	5 gal	-
28	Input Inductor Drain Pipe Kit (5")	325-44458-601	-	1	6
29	Input Inductor Drain Pipe Kit (12")	325-44458-603	-	1	6
30	Internal Cooling Fan	025-32557-000	738735	1	12
31	Internal Cooling Coil	026-46734-000	839767	1	12
32	Output Inductor Drain Pipe Kit (1.25")	325-44864-611	-	1	16
33	Output Inductor Drain Pipe Kit (8")	325-44864-613	-	1	16
34	Relay, Control Fan / Pump	024-30441-000	664298	1	12
42	Shell and Tube Heat Exchanger 3", 150/300 PSI	026-37572-000	104160	1	13
*	Shell and Tube Heat Exchanger Head Gaskets (set of two) 3"	371-03716-001	-	1	-

NOTE: Items with an * are NOT represented.

0490 AMP VARIABLE SPEED DRIVE

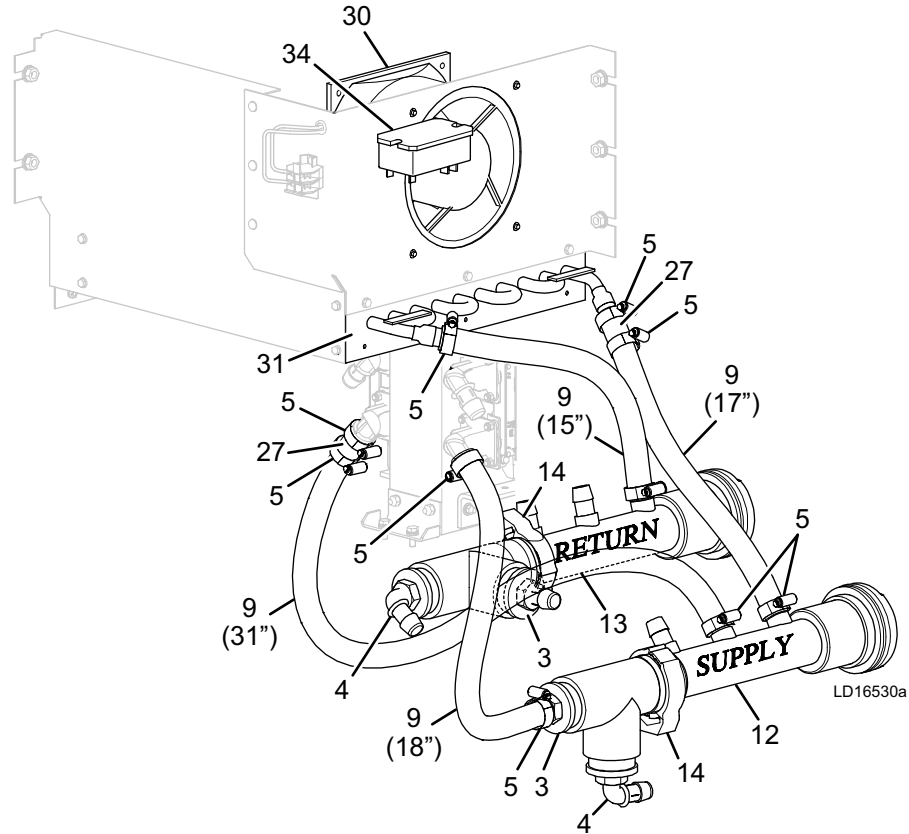


FIGURE 12 - COOLING SYSTEM COMPONENTS

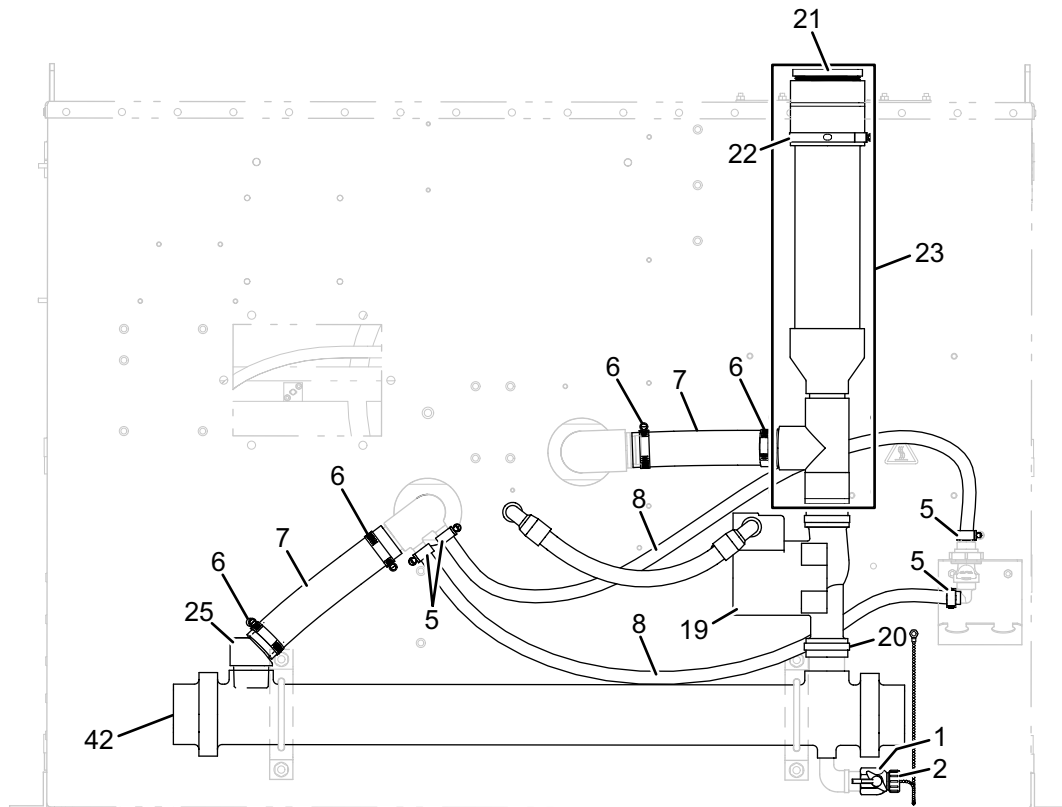


FIGURE 13 - COOLING SYSTEM COMPONENTS

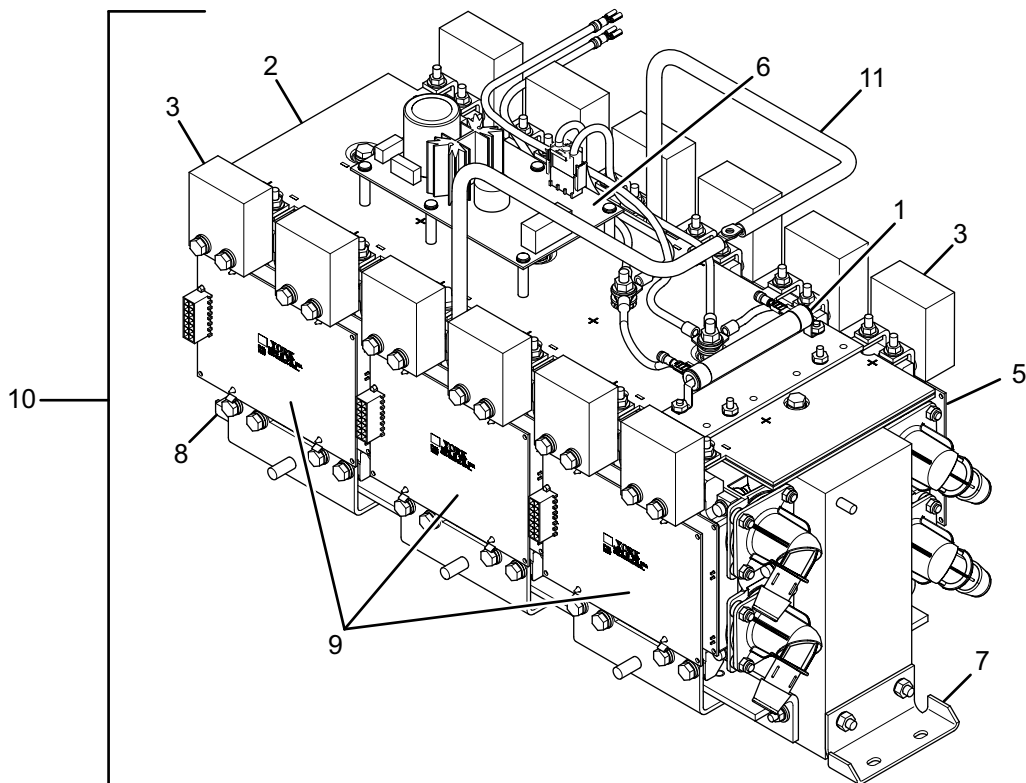
LD17768

0490 AMP VARIABLE SPEED DRIVE

TABLE 5 - POWER ASSEMBLY COMPONENTS (0490 AMPS)

ITEM NUMBER	DESCRIPTION	YORK PART NUMBER	SAP PART NUMBER	QUANTITY	FIGURE
1	Bus Bleeder Resistor (ea.)	371-06165-001	840018	1	14
2	Bus Plate Assembly Kit	371-06619-601	-	1	14
3	Bus Snubber Capacitor (ea.)	025-42835-000	740149	12	14
5	Inverter Gate Driver Board	031-02901-004	839195	3	14
*	Inverter Power Complete Kit (all phases)	371-05904-611	-	-	-
*	Inverter Power Wiring (wiring between Inverter & L3)	571-06569-233	1059328	1	-
6	Power Supply Board	031-02903-002	839200	1	14
7	Power Unit Mounting Foot Front	071-05508-312	749269	1	14
8	Power Unit Mounting Foot Rear	071-05508-310	749268	1	14
9	Rectifier Gate Driver Board	031-02901-003	839194	3	14
*	Rectifier Power Complete Kit (all phases)	371-05904-616	-	-	-
*	Rectifier Power Wiring (wiring between 1L/2L and rectifier)	571-06569-232	1059327	1	-
10	VSD Rectifier/Inverter Power Unit Complete Kit, Weight 54lbs (119 Kg)	371-06619-621	-	1	14
11	Wiring Ground	571-05526-241	807110	2	14

NOTE: Items with an * are NOT represented.



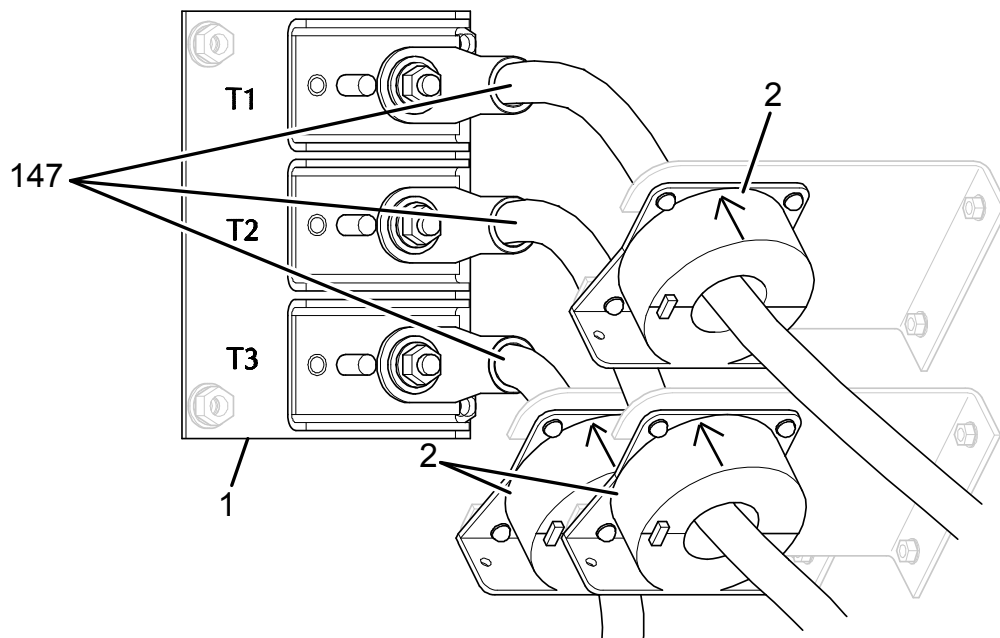
LD16533b

FIGURE 14 - POWER ASSEMBLY COMPONENTS

0490 AMP VARIABLE SPEED DRIVE

TABLE 6 - OUTPUT COMPONENTS (0490 AMPS)

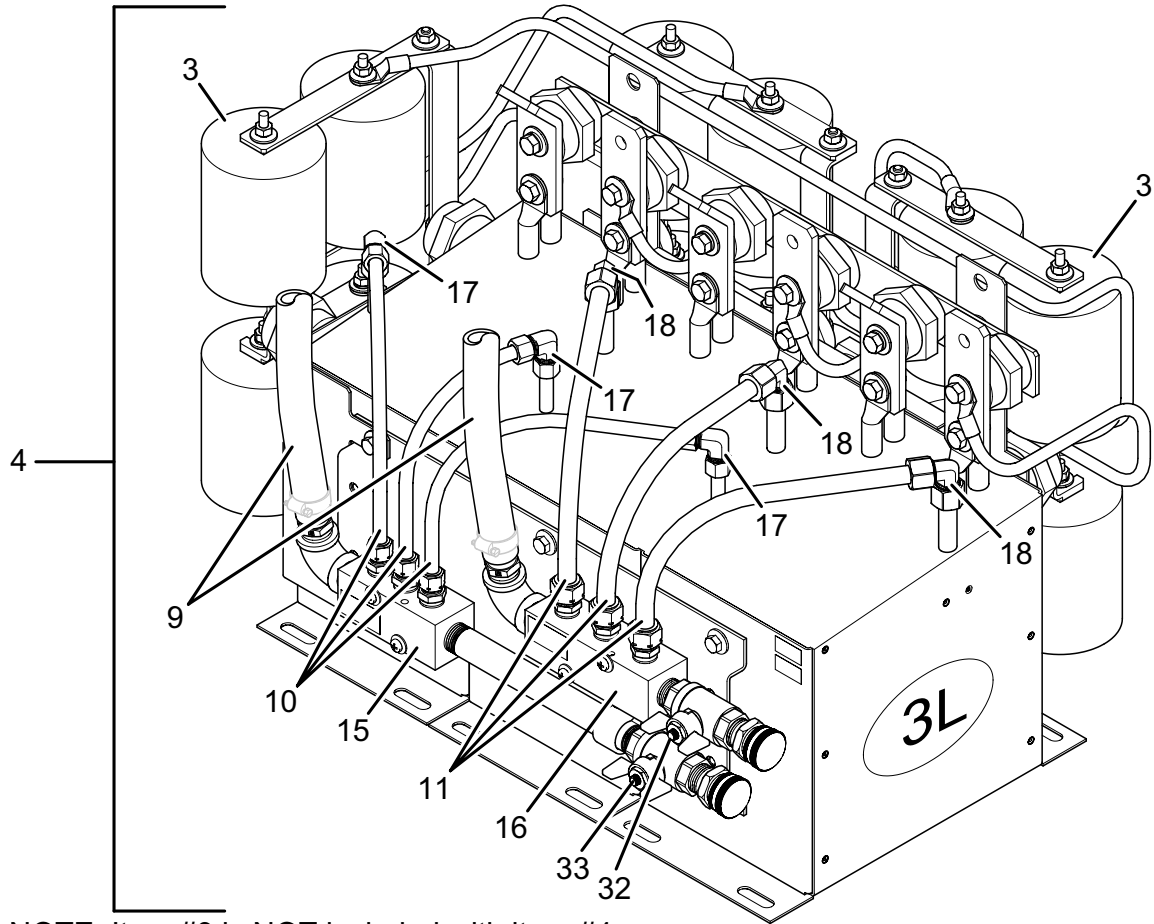
ITEM NUMBER	DESCRIPTION	YORK PART NUMBER	SAP PART NUMBER	QUANTITY	FIGURE
1	Motor Connection Plate	371-05614-357	839971	1	15
2	Output Current Transducer (DCCT)	025-45590-000	1045992	3	15
3	Output Harmonic Filter Capacitor 0490	025-45337-000	-	12	16
4	Output Harmonic Filter Assembly 224 lbs (102 Kg)	025-46349-000	1059278	1	16
147	Output Power Wiring (wiring between 3L and motor connection plate)	571-06569-234	1059329	1	15
5	Output Voltage Isolator Board	031-02022-001	743845	1	18



LD16670a

FIGURE 15 - OUTPUT COMPONENTS

0490 AMP VARIABLE SPEED DRIVE



NOTE: Item #9 is NOT included with item #4

LD17769

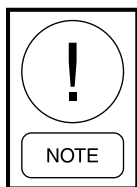
FIGURE 16 - HARMONIC FILTER

0490 AMP VARIABLE SPEED DRIVE

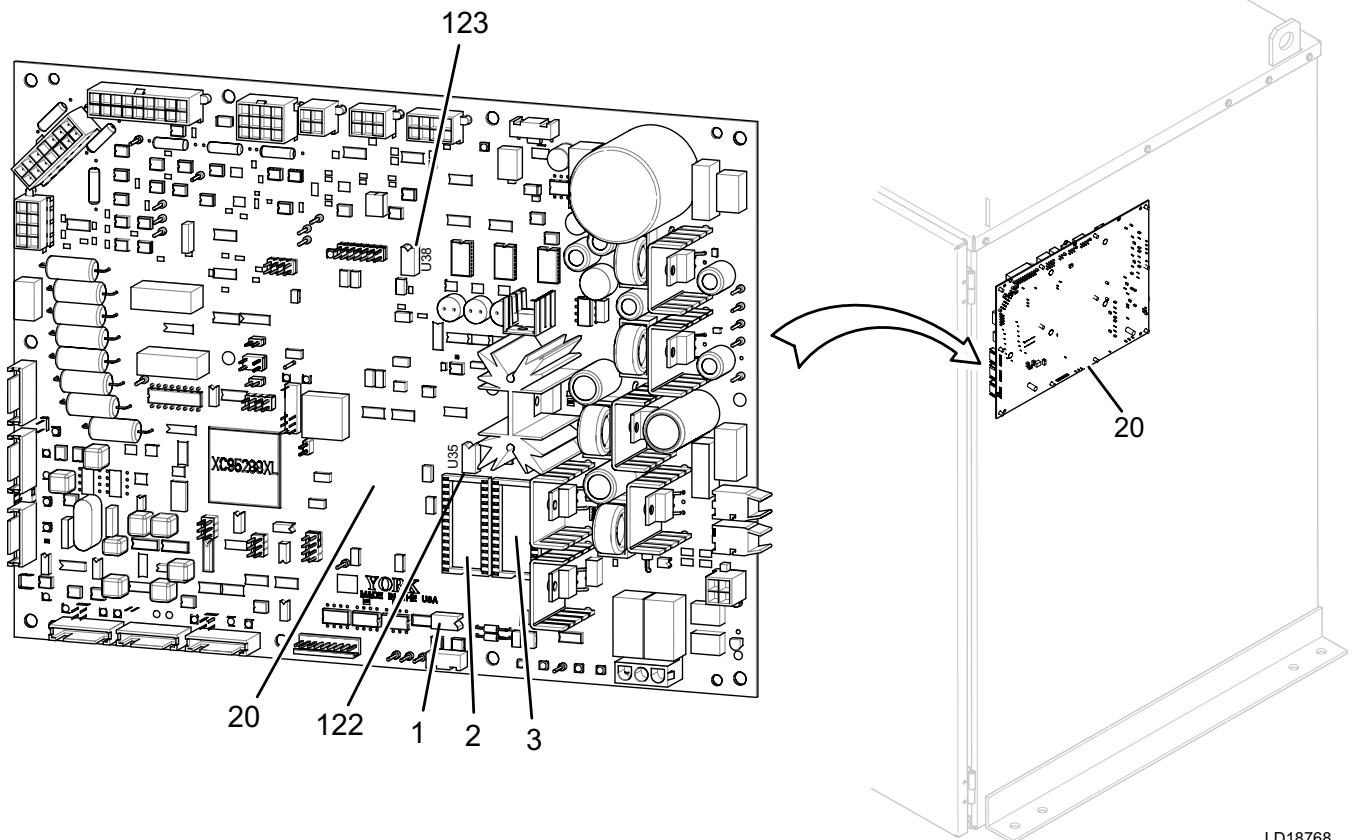
TABLE 7 - DRIVE LOGIC BOARD AND COMPONENTS (0490 AMPS)

ITEM NUMBER	DESCRIPTION	YORK PART NUMBER	SAP PART NUMBER	QUANTITY	FIGURE
3	BRAM Chip U36	031-02482-000	-	1	17
2	BRAM Chip U37	031-02483-000	-	1	17
122	PROM Chip U35 (for 031-02911-00X board)	031-03048-001	744215	1	17
123	PROM Chip U38 (for 031-02911-00X board)	031-03049-001	744216	1	17
1	U66 485 Communications Driver	031-02074-000	120352	-	17
20	VSD Logic Board	031-02911-003	1135023	1	17
*	VSD Logic Board Kit (includes all software)	331-02911-603	1150615	-	-

NOTE: Items with an * are NOT represented.



PROM Chips U35 and U38 must be ordered as a set.



LD18768

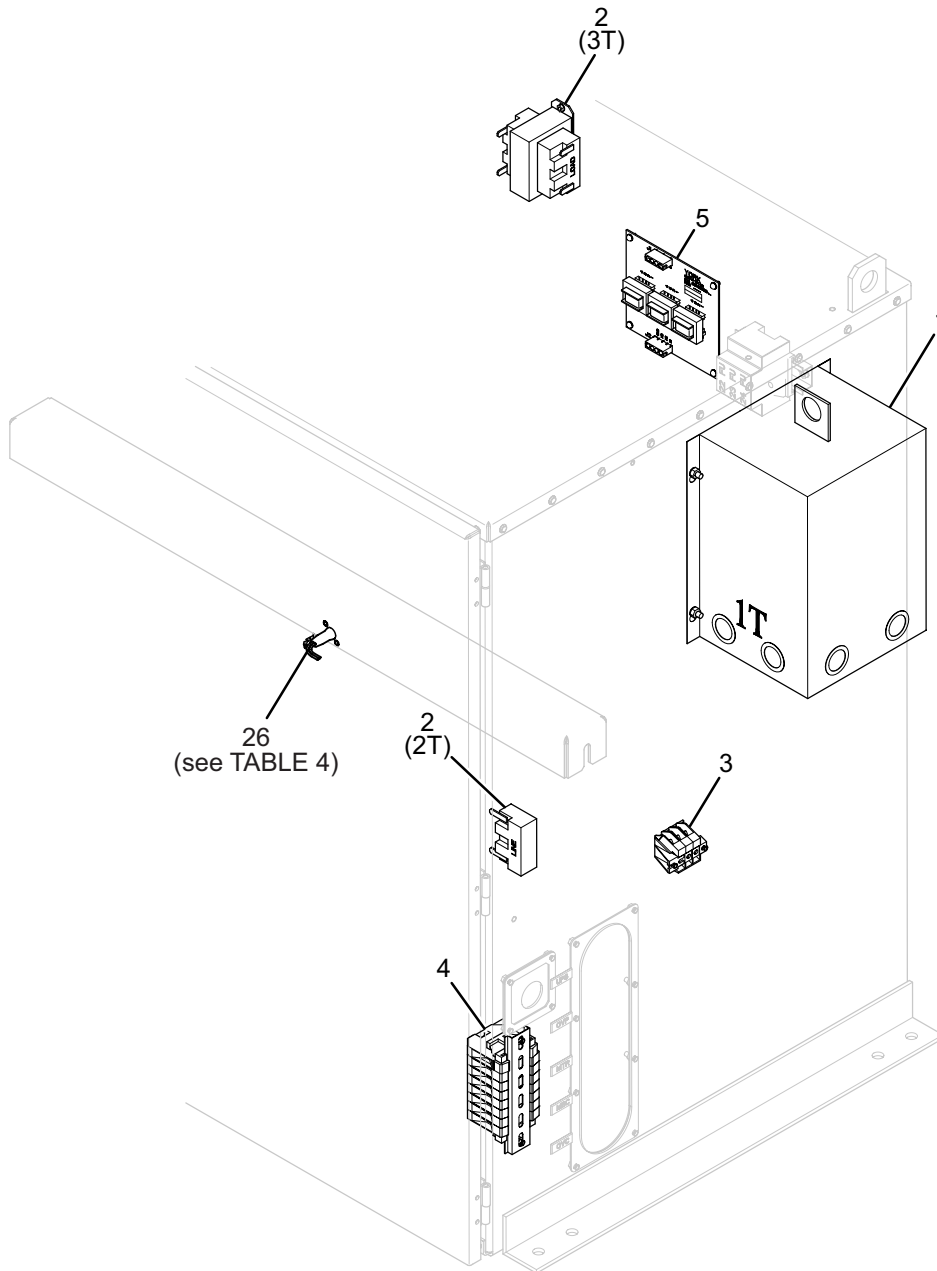
FIGURE 17 - DRIVE LOGIC BOARD AND COMPONENTS

0490 AMP VARIABLE SPEED DRIVE

TABLE 8 - MISCELLANEOUS COMPONENTS (0490 AMPS)

ITEM NUMBER	DESCRIPTION	YORK PART NUMBER	SAP PART NUMBER	QUANTITY	FIGURE
1	Control Transformer 480 VAC 3KVA	025-31499-000	738608	1	18
	Control Transformer 380/400/415 VAC 3KVA	025-32983-000	117599		
2	Control Transformer 24 VAC 75 VA (2T/3T)	025-27911-000	1312	2	18
3	Terminal Block 3-pole	025-44853-003	-	2	5/18
4	Terminal Block 8-pole	025-45041-000	-	1	18
*	Suppressor (Used on 1R)	031-00808-000	618876	1	-

NOTE: Items with an * are NOT represented.



LD17779a

FIGURE 18 - MISCELLANEOUS COMPONENTS

0490 AMP VARIABLE SPEED DRIVE

TABLE 9 - WIRING HARNESSSES AND CONNECTORS (0490 AMPS)

BOARD NAME	BOARD PART NUMBER	POSITION	HOUSING PART NUMBER (SAP PART NUMBER)	PIN PART NUMBER (SAP PART NUMBER)
Line Voltage Isolator Board	031-02022-000	J1	025-19671-000 (737534)	025-22215-000 (62701)
Line Voltage Isolator Board	031-02022-000	J2	025-21417-000 (737658)	025-22215-000 (62701)
Output Voltage Isolator Board	031-02022-001	J1	025-21417-000 (737658)	025-22215-000 (62701)
Output Voltage Isolator Board	031-02022-001	J2	025-21417-000 (737658)	025-22215-000 (62701)
Input DC Current Transducer	-	-	025-43356-000 (740274)	025-43357-000 (740275)
Input DC Current Transformer (Complete Cable)				Assembly # 571-05614-211 (840019)
Output DC Current Transducer	-	-	025-43356-000 (740274)	025-43357-000 (740275)
Output DC Current Transformer (complete Cable)	-	-		Assembly # 571-05614-213 (840020)
VSD Logic Board	031-02911-003	J1	025-19672-000 (737535)	025-22215-000 (62701)
VSD Logic Board	031-02911-003	J2	025-42614-000 (740129)	025-28386-000 (737925)
VSD Logic Board	031-02911-003	J3	025-35964-000 (739253)	025-28386-000 (737925)
VSD Logic Board	031-02911-003	J4	025-28384-000 (737920)	025-28386-000 (737925)
VSD Logic Board	031-02911-003	J5	025-28959-000 (738246)	025-28386-000 (737925)
VSD Logic Board	031-02911-003	J6	025-28382-000 (737916)	025-28386-000 (737925)
VSD Logic Board	031-02911-003	J7	025-35966-000 (550505)	025-28386-000 (737925)
VSD Logic Board	031-02911-003	J8 - J13	Assembly # 571-05614-241 (840026)	N/A
VSD Logic Board	031-02911-003	J14	025-28959-000 (738246)	025-28386-000 (737925)
VSD Logic Board	031-02911-003	J15	025-29130-000 (738262)	025-28386-000 (737925)
VSD Logic Board	031-02911-003	J17	025-21136-000 (737636)	025-19674-000 (737537)

0490 AMP VARIABLE SPEED DRIVE

TABLE 9 - WIRING HARNESSES AND CONNECTORS (0490 AMPS) (CONT'D)

BOARD NAME	BOARD PART NUMBER	POSITION	HOUSING PART NUMBER (SAP PART NUMBER)	PIN PART NUMBER (SAP PART NUMBER)
VSD Logic Board	031-02911-003	J18	Assembly # 571-05614-227 (840022)	N/A
VSD Logic Board	031-02911-003	J19	025-21137-000 (737637)	025-19674-000 (737537)
VSD Logic Board	031-02911-003	J25	025-35966-000 (550505)	025-28386-000 (737925)
VSD Logic Board	031-02911-003	J36	Assembly # 571-05614-291 (840034)	N/A
IGBT Gate Driver Board - Inverter	031-02901-004	J1	025-42614-000 (740129)	025-28386-000 (737925)
IGBT Gate Driver Board - Rectifier	031-02901-003	J1	025-42614-000 (740129)	025-28386-000 (737925)
Gate Driver Power Supply Board	031-02903-001	J1	025-29185-000 (62736)	025-19674-000 (737537)
Gate Driver Power Supply Board	031-02903-001	J2	025-44494-000 (839746)	025-28386-000 (737925)
Gate Driver Power Supply Board	031-02903-001	J7	025-19671-000 (737534)	025-11083-000 (737290)
Gate Driver Power Supply Board	031-02903-001	J8	025-19672-000 (737535)	025-22215-000 (62701)
Ambient Temperature at Sensor	-	-	025-29130-000 (738262)	025-28386-000 (737925)
Ambient Temperature at Cable	-	-	025-32564-000 (738737)	025-30999-000 (738540)
CPC CONNECTORS				
CPC CONNECTORS	HOUSING PART NUMBER (SAP PART NUMBER)	PIN PART NUMBER (SAP PART NUMBER)	COMPLETE CABLE (SAP PART NUMBER)	
Magnet Bearing Controller	025-37873-000 (739490)	025-40463-000 (873883)	571-05614-291 (840034)	
Motor Monitoring	025-44974-000 (828162)	025-40463-000 (873883)	571-05614-286 (840033)	
OptiView Communication	025-37873-000 (739490)	025-40463-000 (873883)	571-05614-227 (840022)	
OptiView Power	025-44974-000 (828162)	025-37875-000 (739491)	571-05614-236 (840025)	
UPS	025-44974-000 (828162)	025-37875-000 (739491)	571-05614-235 (840024)	

Note: All items in Table 9 are NOT shown

0490 AMP VARIABLE SPEED DRIVE

1

TABLE 10 - POWER WIRING SECTION (0490 AMPS)

SECTION	PART NUMBER	SAP NUMBER
Damping Resistors 2 Sets of Wires (2L1E-2L3E, 3L1A-3L3A, and braided wires)	571-06569-251	1059330
Input Power Wiring Circuit Breaker (Wiring between circuit breaker and 1L)	571-06569-231	1059326
Input Power Wiring Disconnect Switch (Wiring between disconnect switch and 1L)	571-06569-231	1059326
Inverter Power Wiring (Wiring between Inverter and 3L)	571-06569-233	1059328
Output Power Wiring (Wiring between 3L and motor connection plate)	571-06569-234	1059329
Rectifier Power Wiring (Wiring between 1L, 2L and rectifier)	571-06569-232	1059327

THIS PAGE INTENTIONALLY LEFT BLANK.

SECTION 2 - 0612 AMP VARIABLE SPEED DRIVE

TABLE 11 - INPUT COMPONENTS (0612 AMPS)

ITEM NUMBER	DESCRIPTION	YORK PART NUMBER	SAP PART NUMBER	QUANTITY	FIGURE
4	Circuit Breaker	224-38969-000	1160805	1	19
12	Circuit Breaker Handle	026-46045-000	741273	1	19
13	Damping Resistor Kit (includes 2 resistors & bracket)	025-46537-000	1160777	3	25
4	Disconnect Switch	024-36613-000	736389	1	20
12	Disconnect Switch Handle	024-36614-000	736390	1	20
5	Disconnect Switch Lug Kit	025-43345-000	740272	1	20
2	Ground Lug	025-32835-000	738755	3	23
21	Input Current Transducer (DCCT)	025-42748-000	740133	3	21
5	Input Filter Assembly	371-06336-348	1160814	1	22
3	Input Filter Capacitor for Assembly	025-42834-000	740148	9	22
25	Input Filter Capacitor with Resistor	371-06336-349	1160815	1	23
6	Input Filter Resistor for Assembly	025-42616-000	740130	4	22/23
4	Input Inductor (1L & 2L) 545 lbs.(247 Kg)	025-46193-000	641006	1	24
35	Input Power Wiring (from input power fuses to 1L/2L) with Circuit Breaker	571-06336-231	1160836	1	19
	Input Power Wiring (from input power fuses to 1L/2L) with Disconnect Switch	571-06336-236	1160841		20
18	Input Voltage Isolator Board	031-02022-000	65064	1	23
35	Pre-Charge Contactor	024-30985-000	735841	1	23
37	Pre-Charge Resistors	025-46179-000	1160773	3	23
27	Supply Contactor	024-38524-000	1160772	1	26
26	Voltage Transient Board (Fuses are not included)	031-02453-000	743895	1	23
43	Resistor DV/DT Network (50 Hz only)	025-46678-000	1113967	3	21
44	Silicon Pad use with item 43 (1 each)	025-15299-000	-	3	21
45	Capacitor DV/DT Network (50 Hz only)	025-39806-000	251765	3	21

2

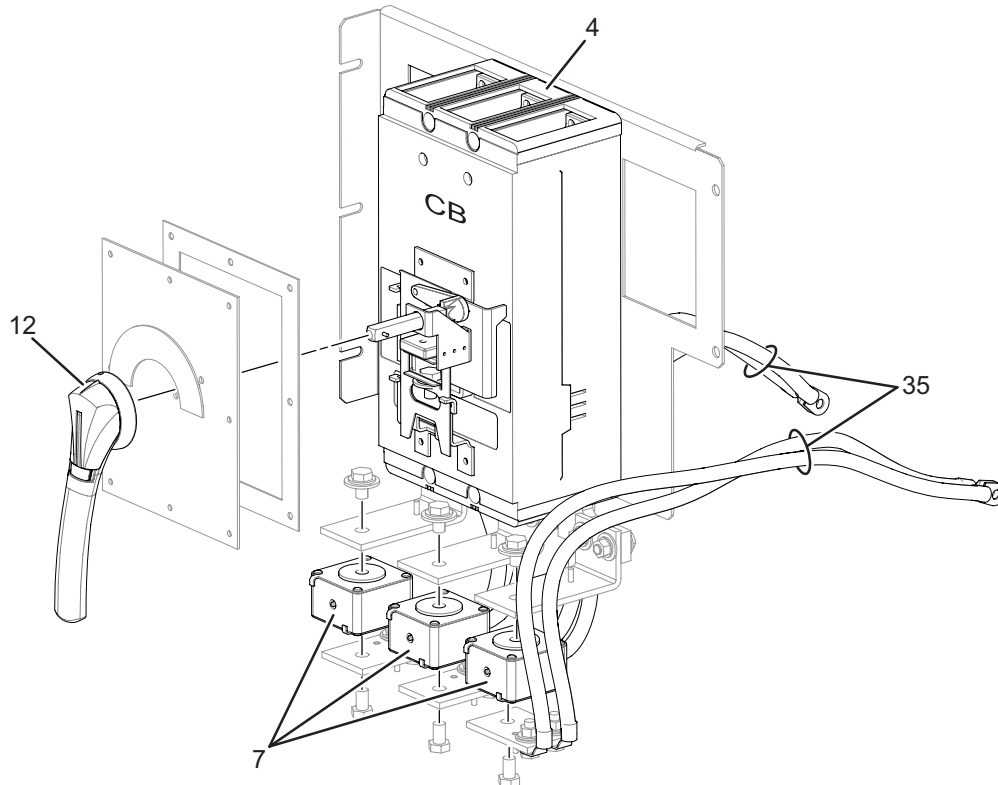
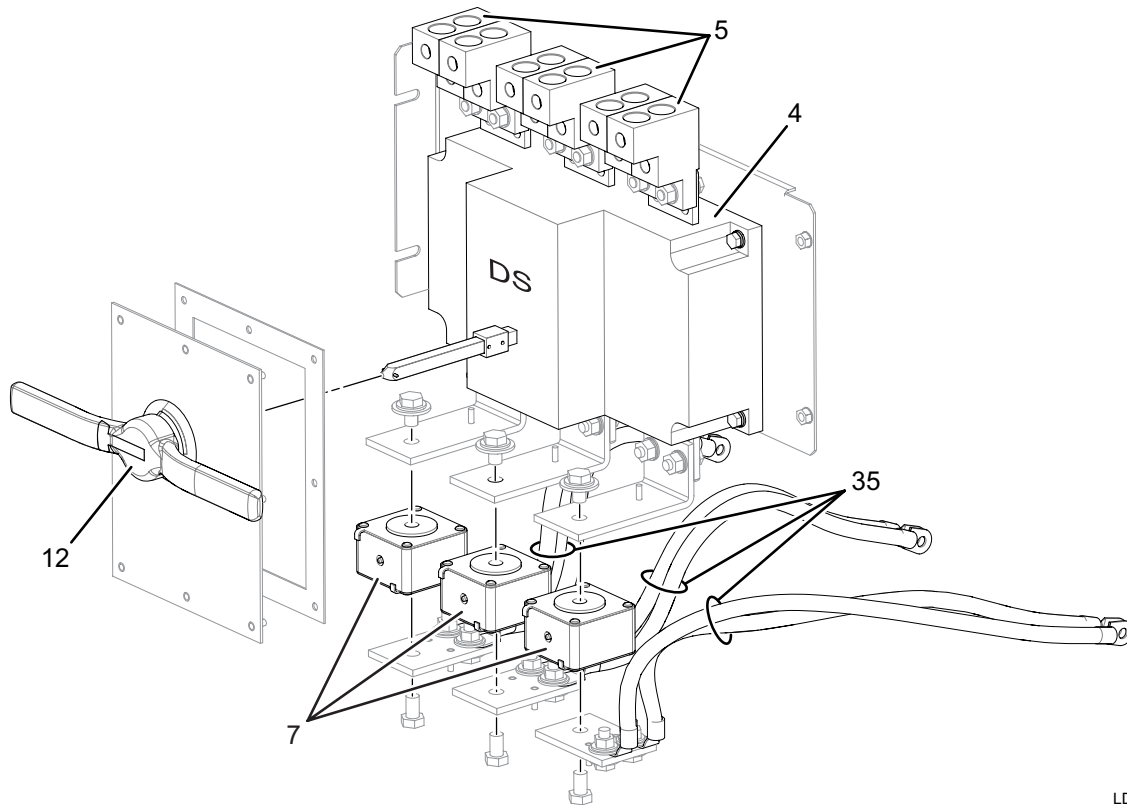


FIGURE 19 - CIRCUIT BREAKER (CB)

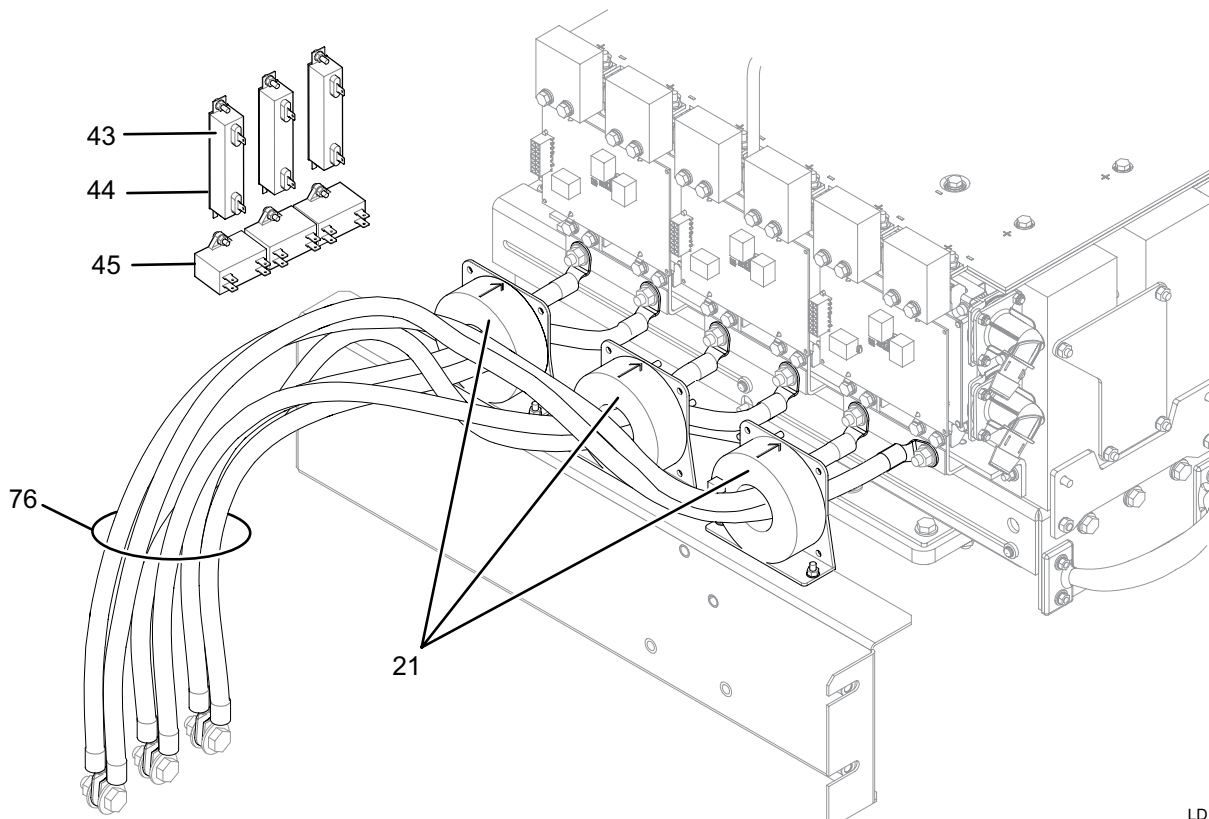
LD18757

0612 AMP VARIABLE SPEED DRIVE



LD18758

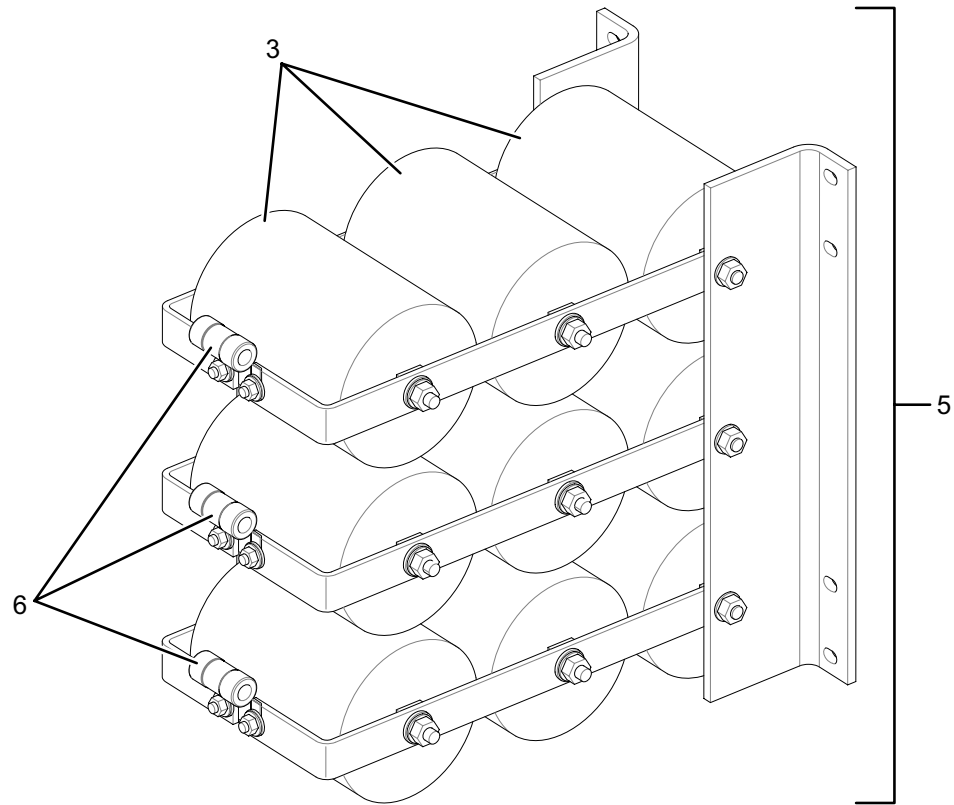
FIGURE 20 - DISCONNECT SWITCH (DS)



LD18759

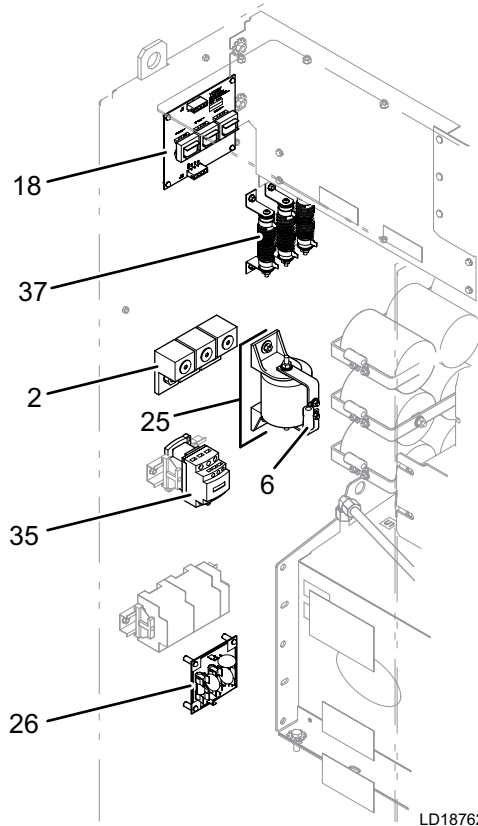
FIGURE 21 - INPUT CURRENT TRANSDUCER (DCCT)

0612 AMP VARIABLE SPEED DRIVE



LD18761

FIGURE 22 - INPUT FILTER CAPACITOR ASSEMBLY



LD18762

FIGURE 23 - LEFT SIDE OF VSD ENCLOSURE

0612 AMP VARIABLE SPEED DRIVE

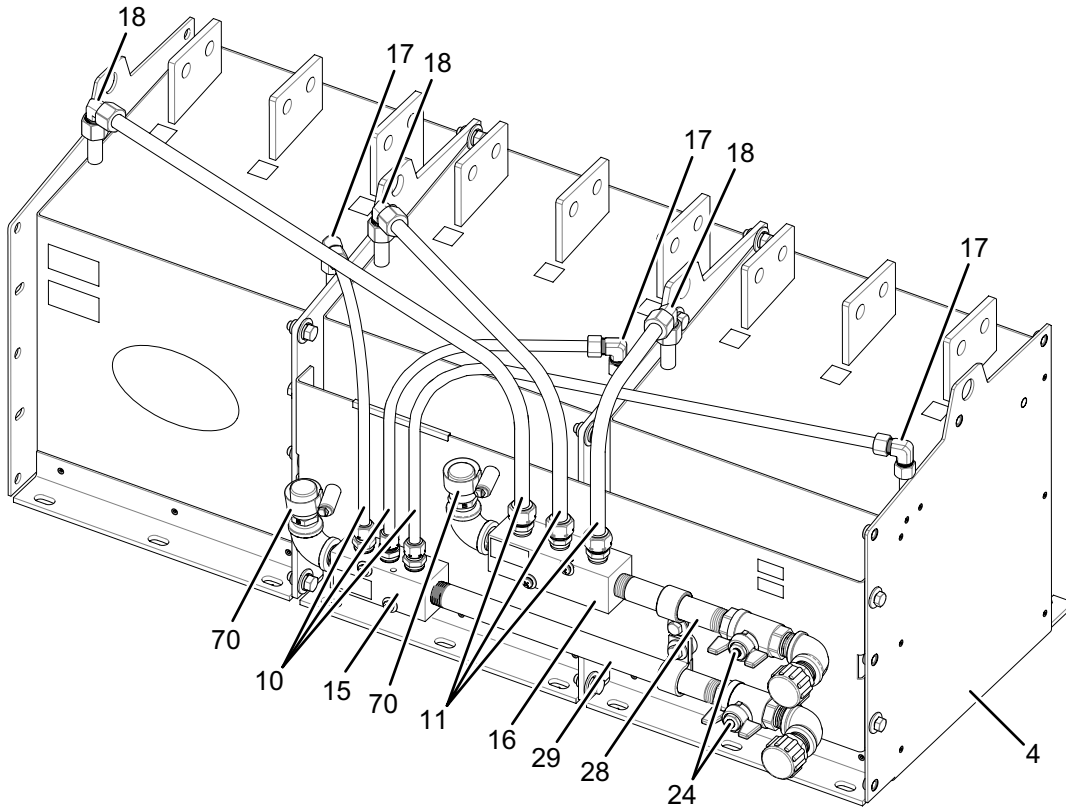


FIGURE 24 - INPUT INDUCTOR (L1, L2)

LD18754

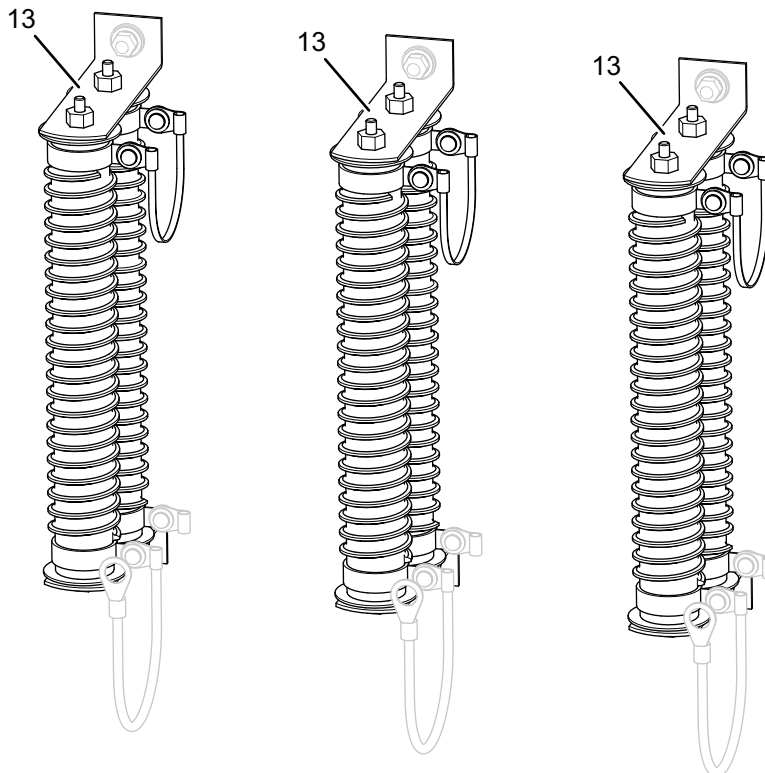
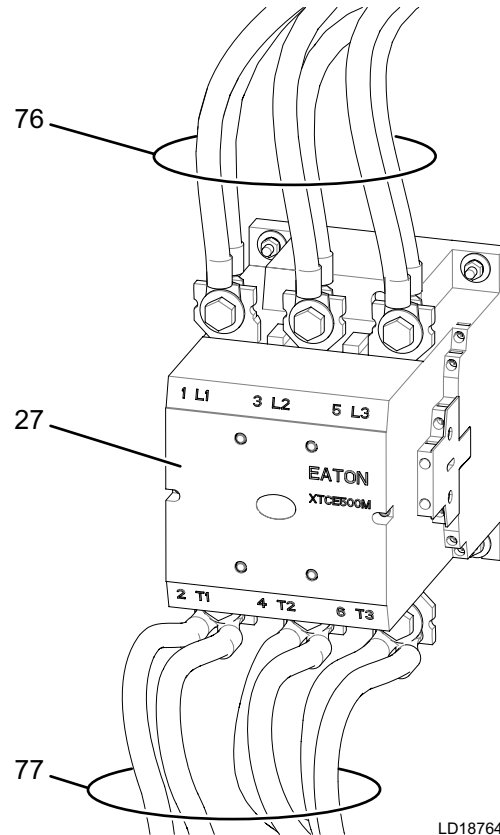


FIGURE 25 - RESISTOR ASSEMBLY

LD18763

0612 AMP VARIABLE SPEED DRIVE



2

FIGURE 26 - SUPPLY CONTACTOR

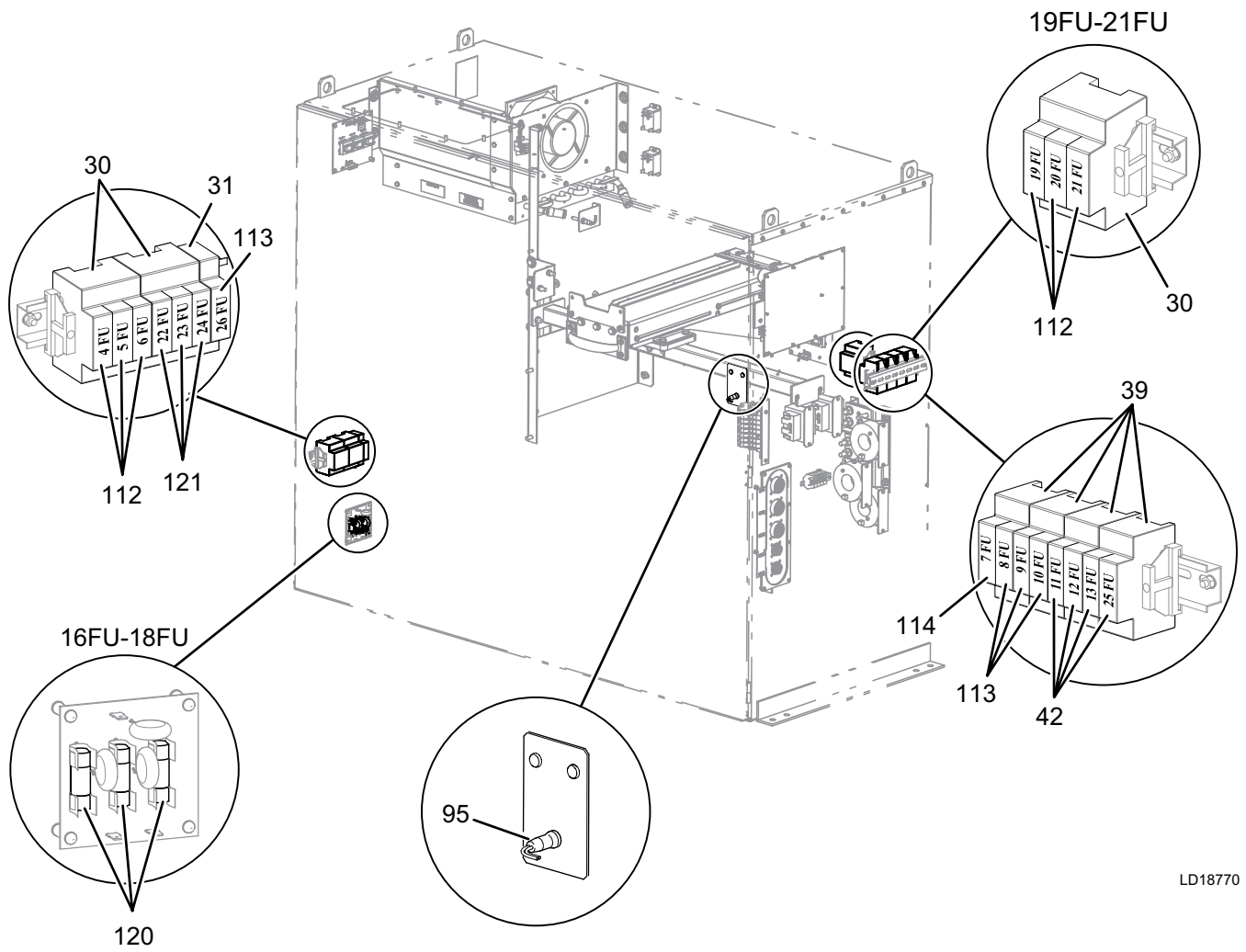
LD18764

0612 AMP VARIABLE SPEED DRIVE

TABLE 12 - FUSE COMPONENTS (0612 AMPS)

ITEM NUMBER	DESCRIPTION	YORK PART NUMBER	SAP PART NUMBER	QUANTITY	FIGURE
112	Fuse 1 AMP (4FU-6FU & 19FU-21FU)	025-43326-000	740259	6	27
120	Fuse 5 AMP Voltage Transient Board Fuses (16FU-18FU)	025-38523-000	739590	3	27
114	Fuse 7 AMP (13FU)	025-35903-000	117821	1	27
42	Fuse 10 AMP (7FU-10FU) 460 VAC 60Hz	025-35905-000	739234	4	27
	Fuse 12 AMP (7FU-10FU) 400 VAC, 415 VAC 50 HZ, 60 HZ	025-35906-000	652698		
113	Fuse 20 AMP (11FU, 12FU, 25FU, 26FU)	025-35908-000	117823	4	27
121	Fuse 30 AMP (22FU-24FU)	025-35910-000	739236	3	27
31	1 Pole Fuse Holder 30A	025-39951-000	359985	1	27
39	2 Pole Fuse Holder 30A	025-44520-000	740518	4	27
30	3 Pole Fuse Holder 30A	025-39952-000	343433	3	27
7	Input Power Fuse (1FU-3FU set of three)	371-06336-601	-	1	19,20

0612 AMP VARIABLE SPEED DRIVE



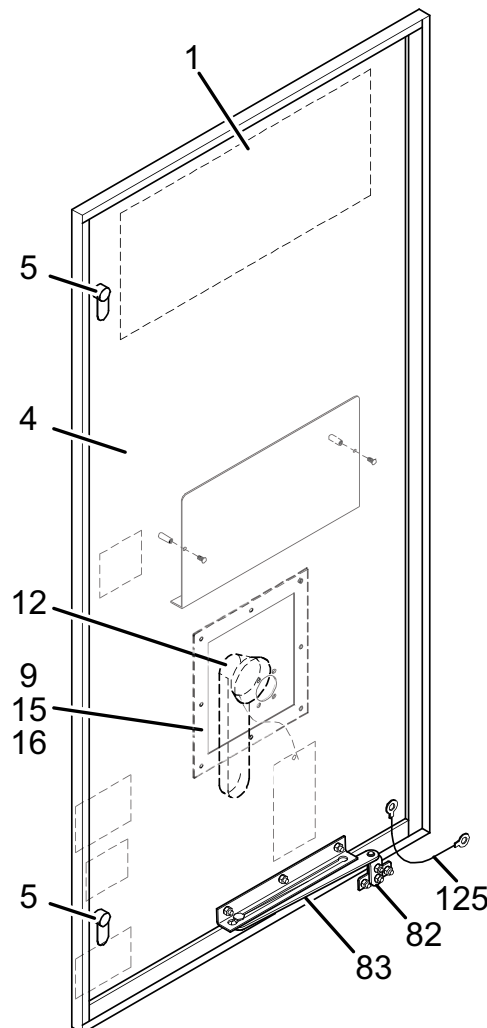
LD18770

FIGURE 27 - FUSES AND FUSE HOLDERS

0612 AMP VARIABLE SPEED DRIVE

TABLE 13 - DOOR COMPONENTS (0612 AMPS)

ITEM NUMBER	DESCRIPTION	YORK PART NUMBER	SAP PART NUMBER	QUANTITY	FIGURE
12	Circuit Breaker Handle	026-46045-000	741273	1	28
12	Disconnect Switch Handle	024-36614-000	736390	1	28
125	Door Ground Strap, 6"	525-32508-001	806677	2	28
4	Door Kit Left, 50 Hz (Includes labels and Latches)	371-06336-653	-	1	28
	Door Kit Right, 50 Hz (Includes labels and Latches)	371-06336-658	-		
	Door Kit Left, 60 Hz (Includes labels and Latches)	371-06336-651	-		
	Door Kit Right 60 Hz (Includes labels and Latches)	371-06336-656	-		
5	Door Latch	029-25614-000	743380	4	28
83	Door Stop	029-23420-000	119865	1	28
82	Door Stop Mounting Plate	371-05614-553	840001	1	28
15	Gasket, Circuit Breaker, Door Adapter Plate	028-16384-000	742241	1	28
9	Gasket, Disconnect Switch,	028-16384-000	742241	1	28
1	Label Front Door JCI Logo	035-23036-000	745608	1	28
16	Label, Circuit Breaker Handle	035-23233-000	745662	1	28



LD18765

FIGURE 28 - DOOR COMPONENTS

0612 AMP VARIABLE SPEED DRIVE

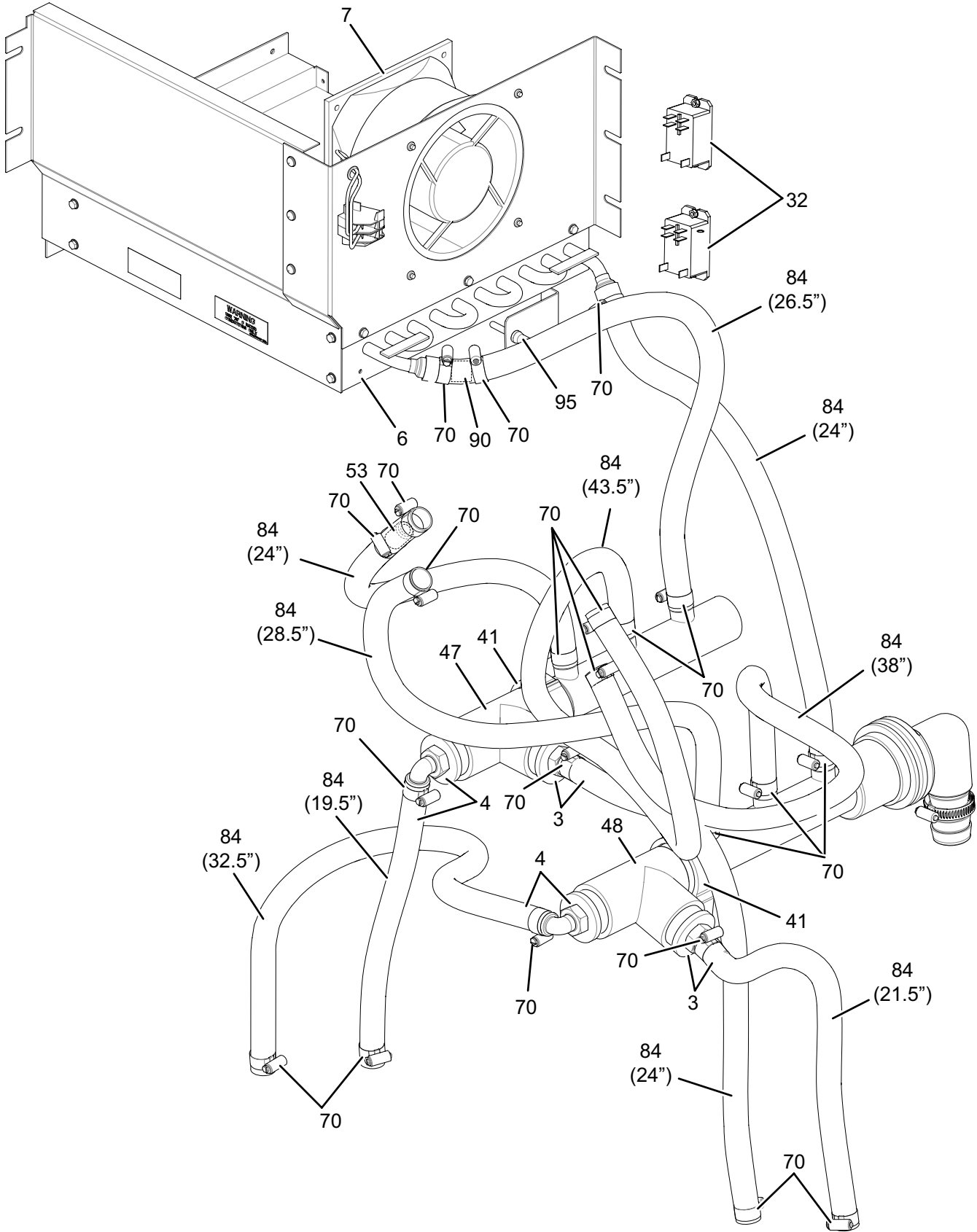
TABLE 14 - COOLING SYSTEM COMPONENTS (0612 AMPS)

ITEM NUMBER	DESCRIPTION	YORK PART NUMBER	SAP PART NUMBER	QUANTITY	FIGURE
51	Coolant Drain Valve	022-12207-000	839729	1	30
52	Coolant Drain Valve Cap	025-25526-000	-	1	30
3	Coolant Hose Barb Straight Kit (hose barb & hose)	371-05571-626	-	2	29
4	Coolant Hose Barb Elbow Kit (hose barb & hose)	371-05571-631	-	2	29
70	Coolant Hose Clamp 1"	023-08856-000	617439	26	24, 29, 30, 33
71	Coolant Hose Clamp 2"	021-32226-000	730939	4	29, 30
74	Coolant Hose External 1 1/2"	028-16373-000	742214	2.13 ft	30
75	Coolant Hose External 1/2 " ID by the foot (To the power panel)	028-16692-000	864411	5.69 ft	30
84	Coolant Hose Internal 3/4 " ID by the foot	028-16379-000	742219	23.5 ft	29
10	Coolant Hose on Inductor 3/8 "	325-44864-607	-	-	24, 33
11	Coolant Hose on Inductor 1/2 "	325-44864-618	-	-	24, 33
48	Coolant Manifold Supply Kit	371-06336-636	-	1	29
47	Coolant Manifold Return Kit	371-06336-641	-	1	29
41	Coolant Manifold Clamp	028-16554-000	839771	2	29
15	Coolant Manifold on Inductors 3/8"	325-44864-603	-	2	24, 33
16	Coolant Manifold on Inductors 1/2"	325-44864-615	-	2	24, 33
17	Coolant Manifold on Inductors Fittings Elbow 3/8"	325-44864-609	-	6	24, 33
18	Coolant Manifold on Inductors Fittings Elbow 1/2"	325-44864-616	-	6	24, 33
64	Coolant Pump	026-47723-000	1160779	1	30
55	Coolant Pump Flange Set	023-20283-000	733193	2	30
21	Coolant Reservoir Fill Plug	028-16630-000	843247	1	30
86	Coolant Reservoir Hose Clamp	021-33315-000	865765	1	30
59	Coolant Reservoir 3" PVC with Fill Plug Kit	371-06336-671		1	30
24	Coolant Valves on Inductors	325-44864-605	-	4	24, 33
62	Elbow 45°	028-16559-000	839776	1	30
95	Enclosure Temperature Sensor with connector	571-05182-283	807091	2	27, 29
53	Flow Restrictor, .750OD x .281 x 1"	028-16835-000	1160780	1	29
90	Flow Restrictor, .750OD x .188 x 1"	028-16836-000		1	29
*	Inhibitor	013-02987-000	-	5 gal	-
28	Input Inductor Drain Pipe Kit (5")	325-44458-601	-	1	24
29	Input Inductor Drain Pipe Kit (12")	325-44458-603	-	1	24
7	Internal Cooling Fan	025-32557-000	738735	1	29
6	Internal Cooling Coil	026-46734-000	839767	1	29
32	Output Inductor Drain Pipe Kit (1.25")	325-44864-611	-	1	33
33	Output Inductor Drain Pipe Kit (8")	325-44864-613	-	1	33
32	Relay, Control Fan / Pump	024-30441-000	664298	2	29
45	Shell and Tube Heat Exchanger 3", 150/300 PSI	026-37572-000	104160	1	30
*	Shell and Tube Heat Exchanger Head Gaskets (set of two) 3"	371-03716-001	-	1	-

NOTE: Items with an * are NOT represented.

2

0612 AMP VARIABLE SPEED DRIVE



LD18766

FIGURE 29 - INTERNAL COOLING SYSTEM COMPONENTS

0612 AMP VARIABLE SPEED DRIVE

2

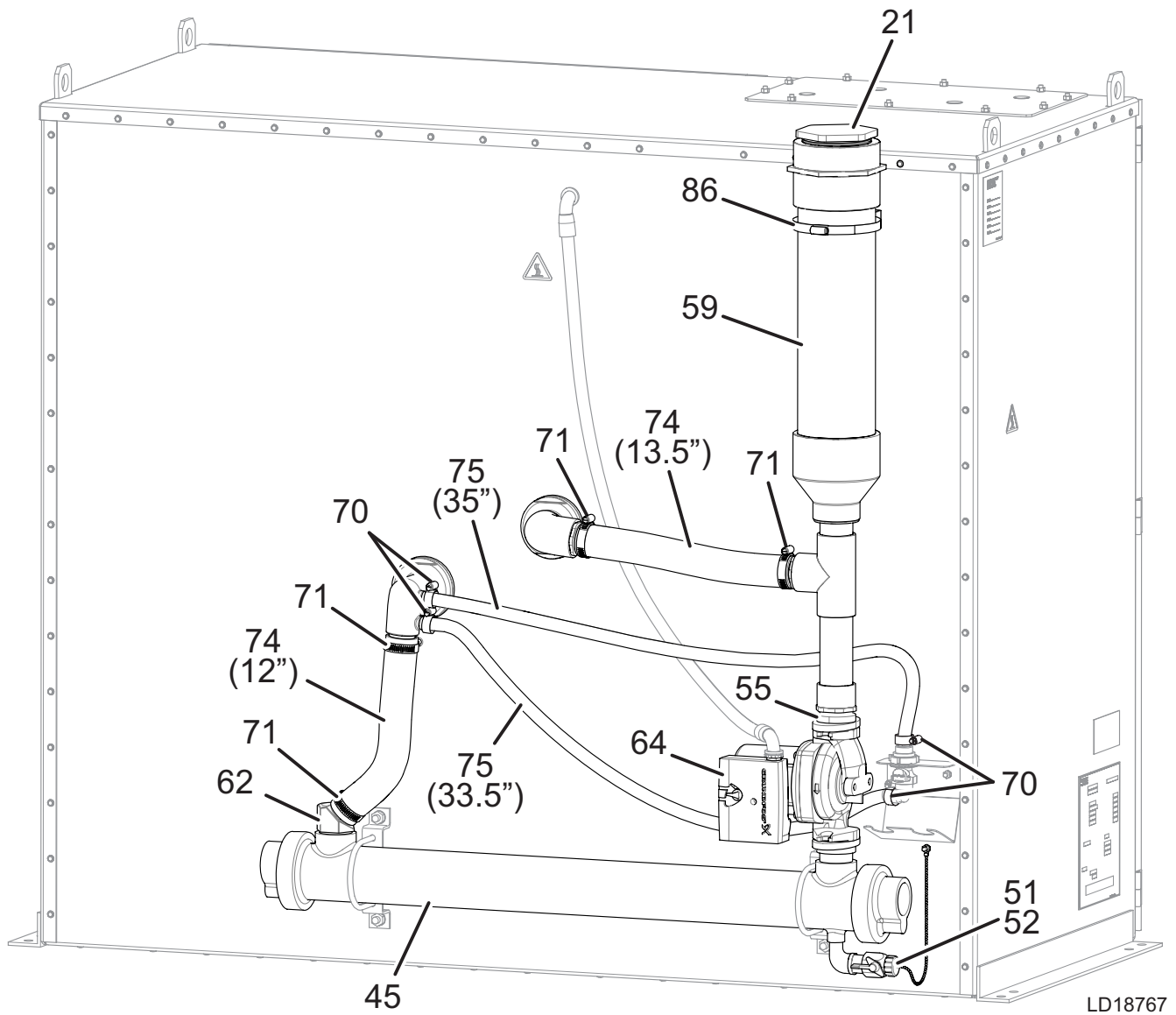


FIGURE 30 - EXTERNAL COOLING SYSTEM COMPONENTS

0612 AMP VARIABLE SPEED DRIVE

TABLE 15 - POWER ASSEMBLY COMPONENTS (0612 AMPS)

ITEM NUMBER	DESCRIPTION	YORK PART NUMBER	SAP PART NUMBER	QUANTITY	FIGURE
2	Bus Bleeder Resistor (ea.)	371-06165-002		1	31
1	Bus Plate Assembly Kit	371-06336-681	-	1	31
19	Bus Snubber Capacitor (ea.)	025-42835-000	740149	12	31
*	Inverter Power Complete Kit (all phases)	371-06336-611	1150619	1	31
21	Inverter/Rectifier Gate Driver Board	031-02901-004	839195	6	31
23	Power Supply Board	031-02903-002	839200	1	31
25	Power Unit Mounting Foot Rear	071-05558-310	749268	1	31
28	Power Unit Mounting Plate Front	071-05558-326	1104681	1	31
*	Rectifier Power Complete Kit (all phases)	371-06336-616	1150620	1	31
22	VSD Rectifier/Inverter Power Unit Complete Kit 98 lbs (45 Kg)	371-06336-621	-	1	31
14	Wiring Ground	571-05526-241	807110	2	31

NOTE: Items with an * are NOT represented.

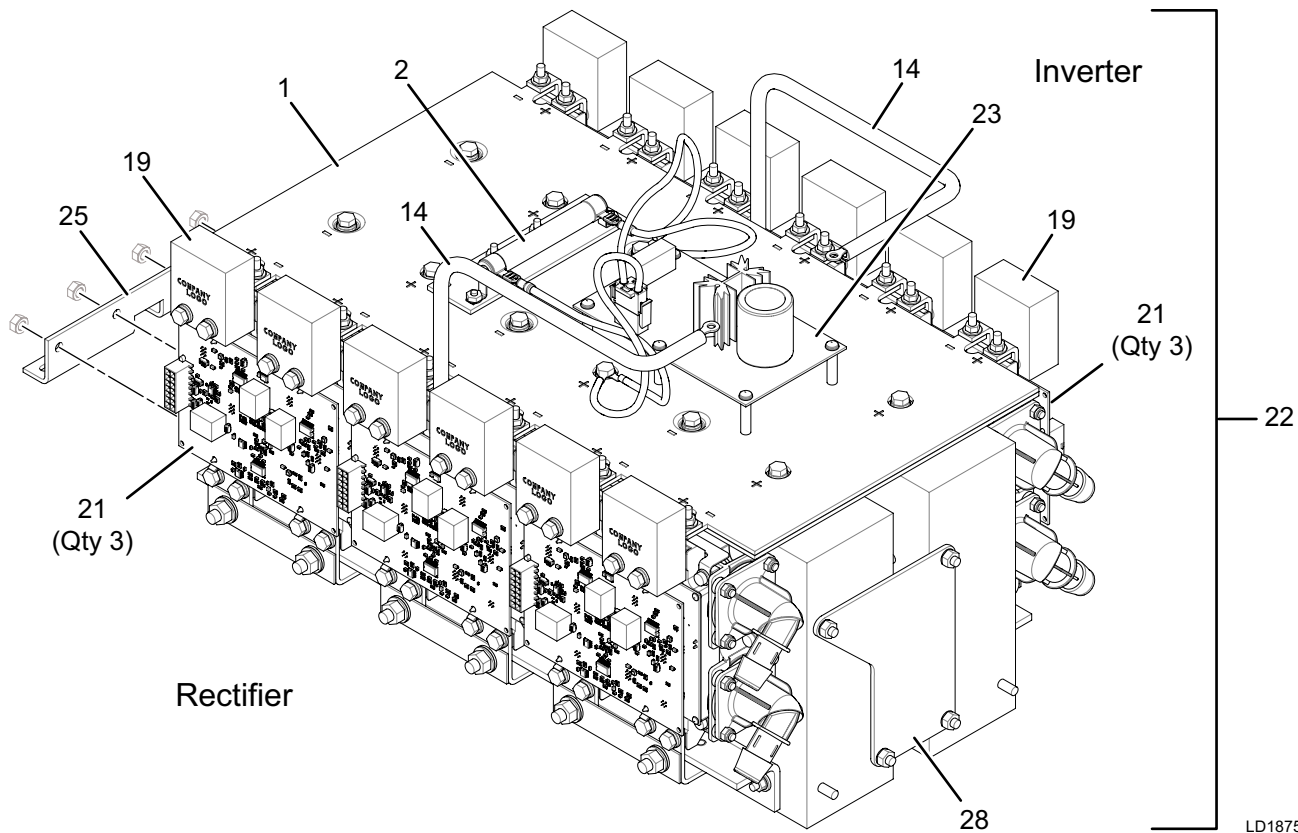


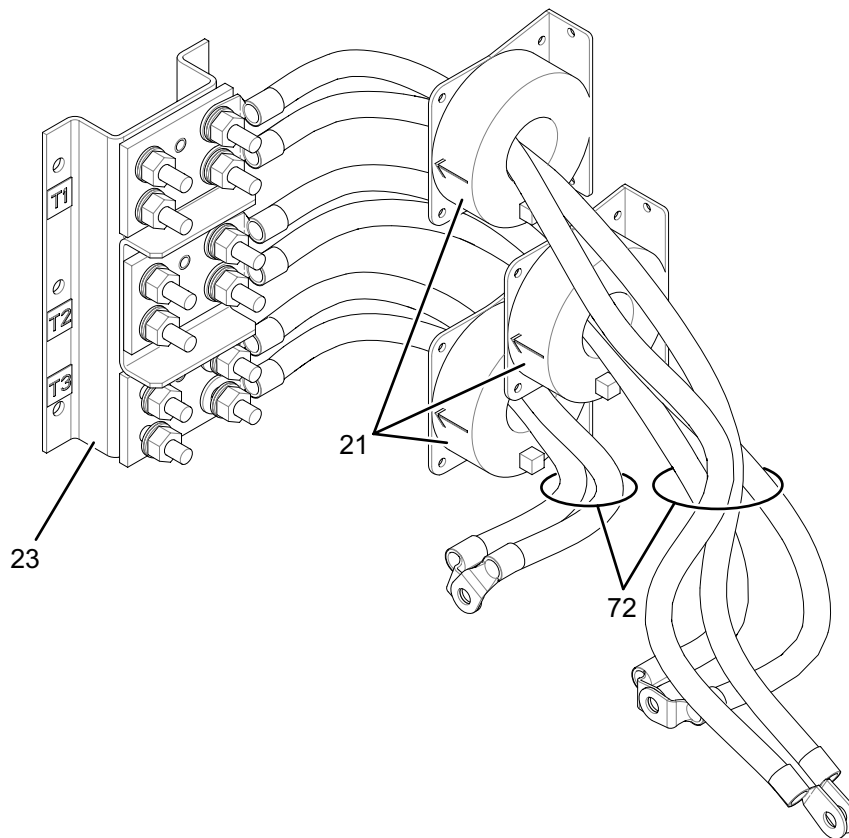
FIGURE 31 - POWER ASSEMBLY COMPONENTS

0612 AMP VARIABLE SPEED DRIVE

TABLE 16 - OUTPUT COMPONENTS (0612 AMPS)

ITEM NUMBER	DESCRIPTION	YORK PART NUMBER	SAP PART NUMBER	QUANTITY	FIGURE
23	Motor Connection Plate	371-06336-366	1160819	1	32
21	Output Current Transducer (DCCT)	025-45590-000	1045992	3	32
3	Output Harmonic Filter Capacitor	025-46876-000	1160778	18	33
5	Output Harmonic Filter Assembly 222 lbs (101 Kg)	025-46194-000	1160775	1	33
72	Output Power Wiring (wiring between 3L and motor connection plate)	571-06336-235	1160840	1	32
36	Output Voltage Isolation Board	031-02022-001	-	1	35

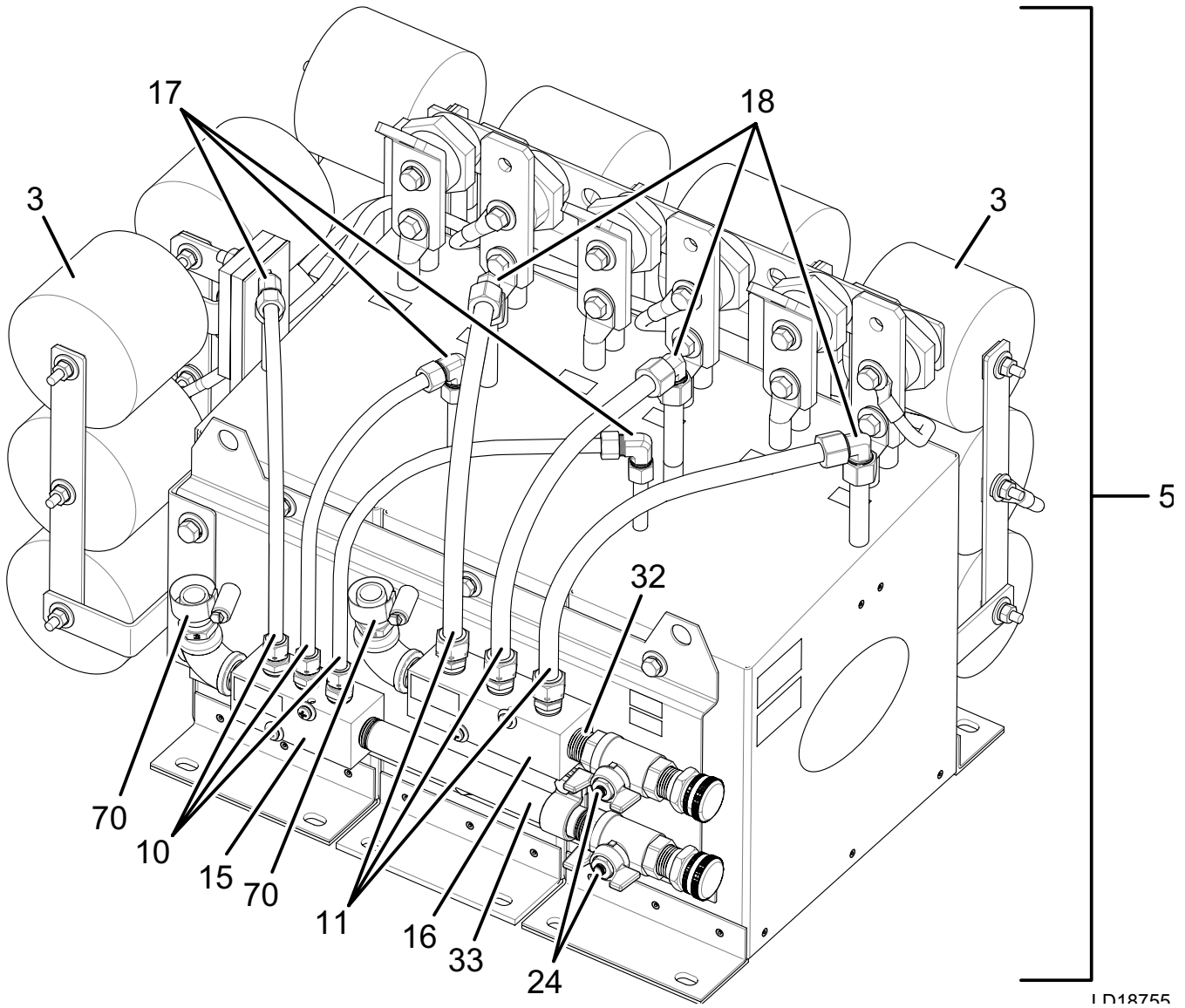
2



LD18760

FIGURE 32 - OUTPUT COMPONENTS

0612 AMP VARIABLE SPEED DRIVE



LD18755

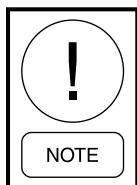
FIGURE 33 - OUTPUT HARMONIC FILTER COMPONENTS

0612 AMP VARIABLE SPEED DRIVE

TABLE 17 - DRIVE LOGIC BOARD AND COMPONENTS (0612 AMPS)

ITEM NUMBER	DESCRIPTION	YORK PART NUMBER	SAP PART NUMBER	QUANTITY	FIGURE
3	BRAM Chip U36	031-02482-000	-	1	34
2	BRAM Chip U37	031-02483-000	-	1	34
122	PROM Chip U35 (for 031-02911-00X board)	031-03048-001	744215	1	34
123	PROM Chip U38 (for 031-02911-00X board)	031-03049-001	744216	1	34
1	U66 485 Communications Driver	031-02074-000	120352	-	34
20	VSD Logic Board	031-02911-009	1135023	1	34
*	VSD Logic Board Kit (includes all software)	331-02911-609	1150615	-	-

NOTE: Items with an * are NOT represented.



PROM Chips U35 and U38 must be ordered as a set.

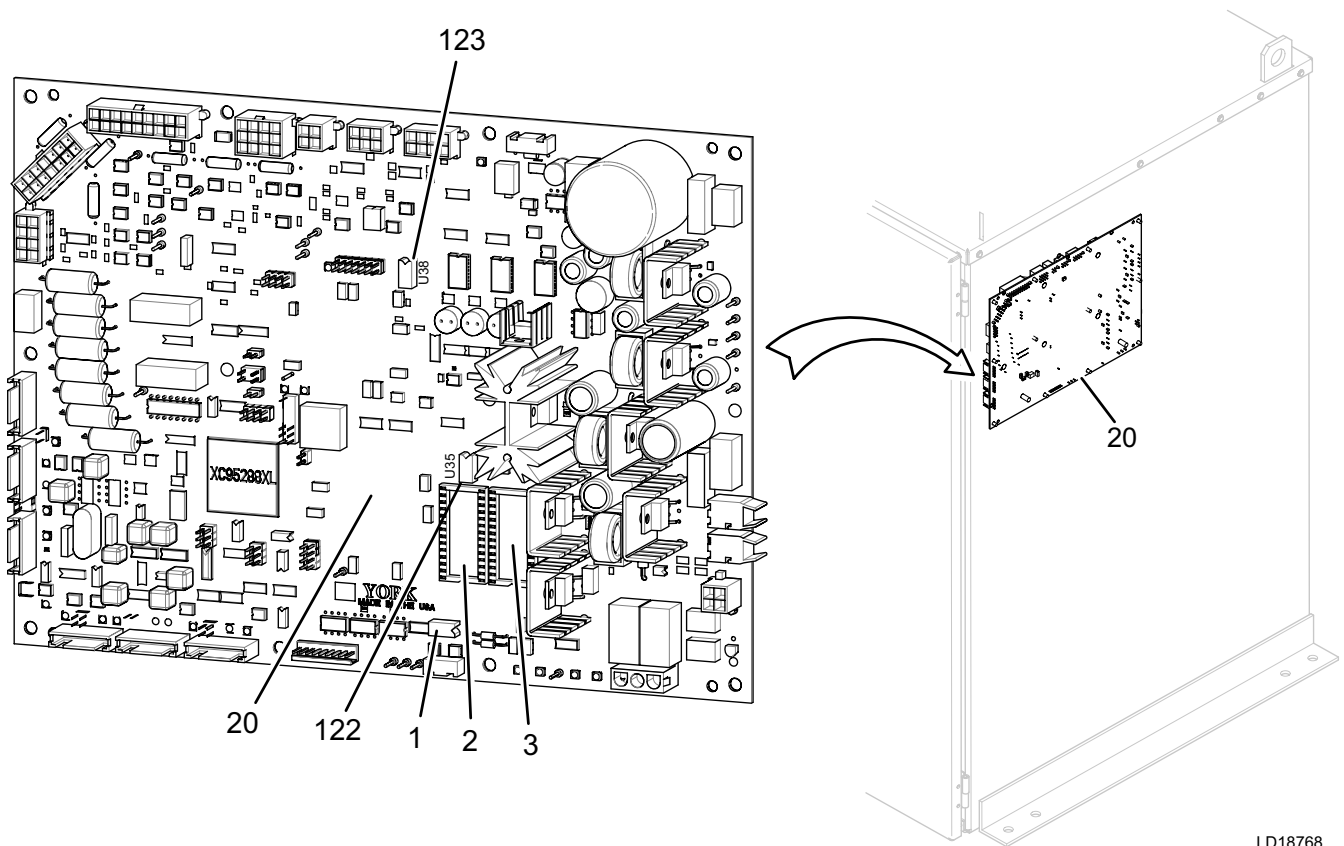


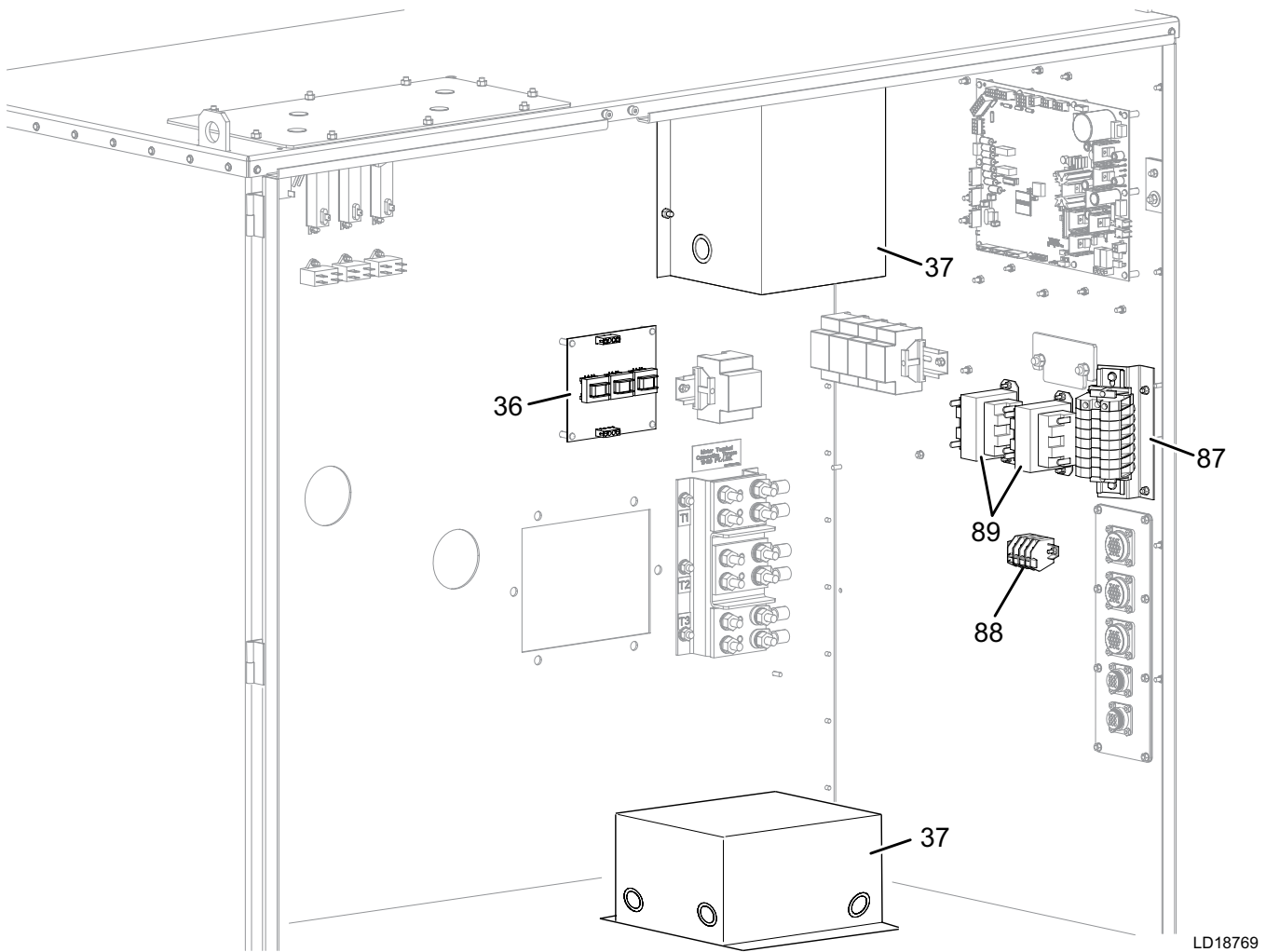
FIGURE 34 - DRIVE LOGIC BOARD AND COMPONENTS

0612 AMP VARIABLE SPEED DRIVE

TABLE 18 - MISCELLANEOUS COMPONENTS (0612 AMPS)

ITEM NUMBER	DESCRIPTION	YORK PART NUMBER	SAP PART NUMBER	QUANTITY	FIGURE
37	Control Transformer 240/480 VAC 2KVA	025-29627-002	117496	2	35
	Control Transformer 380/400/415 VAC 2KVA	025-29627-003	738308	2	
89	Control Transformer 24 VAC 75 VA (2T/3T)	025-27911-000	1312	2	35
88	Terminal Block 4-pole	025-44853-004	839754	1	35
87	Terminal Block 8-pole	025-45041-000	-	1	35
*	Suppressor used on 1M, 2M	025-46473-000	1072517	-	-
*	Suppressor used on 1R, 2R	031-00808-000	618876	-	-

NOTE: Items with an * are NOT represented.



LD18769

FIGURE 35 - MISCELLANEOUS COMPONENTS

0612 AMP VARIABLE SPEED DRIVE

TABLE 19 - WIRING HARNESSSES AND CONNECTORS (0612 AMPS)

BOARD NAME	BOARD PART NUMBER	POSITION	HOUSING PART NUMBER (SAP PART NUMBER)	PIN PART NUMBER (SAP PART NUMBER)
Line Voltage Isolator Board	031-02022-000	J1	025-19671-000 (737534)	025-22215-000 (62701)
Line Voltage Isolator Board	031-02022-000	J2	025-21417-000 (737658)	025-22215-000 (62701)
Output Voltage Isolator Board	031-02022-001	J1	025-21417-000 (737658)	025-22215-000 (62701)
Output Voltage Isolator Board	031-02022-001	J2	025-21417-000 (737658)	025-22215-000 (62701)
Input DC Current Transducer	-	-	025-43356-000 (740274)	025-43357-000 (740275)
Input DC Current Transformer (Complete Cable)				Assembly # 571-06336-211 (1160833)
Output DC Current Transducer	-	-	025-43356-000 (740274)	025-43357-000 (740275)
Output DC Current Transformer (complete Cable)	-	-		Assembly # 571-06336-213 (1160834)
VSD Logic Board	031-02911-009	J1	025-21417-000 (737658)	025-22215-000 (62701)
VSD Logic Board	031-02911-009	J2	025-42614-000 (740129)	025-28386-000 (737925)
VSD Logic Board	031-02911-009	J3	025-35964-000 (739253)	025-28386-000 (737925)
VSD Logic Board	031-02911-009	J4	025-28384-000 (737920)	025-28386-000 (737925)
VSD Logic Board	031-02911-009	J5	025-28959-000 (738246)	025-28386-000 (737925)
VSD Logic Board	031-02911-009	J6	025-28382-000 (737916)	025-28386-000 (737925)
VSD Logic Board	031-02911-009	J7	025-35966-000 (550505)	025-28386-000 (737925)
VSD Logic Board	031-02911-009	J8 - J13	Assembly # 571-06336-241 (1160844)	N/A
VSD Logic Board	031-02911-009	J14	025-28959-000 (738246)	025-28386-000 (737925)
VSD Logic Board	031-02911-009	J15	025-29130-000 (738262)	025-28386-000 (737925)
VSD Logic Board	031-02911-009	J16	025-19671-000 (737534)	025-22215-000 (62701)
VSD Logic Board	031-02911-009	J17	025-21136-000 (737636)	025-19674-000 (737537)

2

0612 AMP VARIABLE SPEED DRIVE

TABLE 19 - WIRING HARNESSSES AND CONNECTORS (0612 AMPS) (CONT'D)

BOARD NAME	BOARD PART NUMBER	POSITION	HOUSING PART NUMBER (SAP PART NUMBER)	PIN PART NUMBER (SAP PART NUMBER)
VSD Logic Board	031-02911-009	J18	Assembly # 571-06336-227 (1160835)	N/A
VSD Logic Board	031-02911-009	J19	025-21137-000 (737637)	025-19674-000 (737537)
VSD Logic Board	031-02911-009	J25	025-35966-000 (550505)	025-28386-000 (737925)
VSD Logic Board	031-02911-009	J36	Assembly # 571-06336-291 (1160853)	N/A
IGBT Gate Driver Board - Inverter	031-02901-004	J1	025-42614-000 (740129)	025-28386-000 (737925)
IGBT Gate Driver Board - Rectifier	031-02901-004	J1	025-42614-000 (740129)	025-28386-000 (737925)
Gate Driver Power Supply Board	031-02903-002	J1	025-29185-000 (62736)	025-19674-000 (737537)
Gate Driver Power Supply Board	031-02903-002	J2	025-44494-000 (839746)	025-28386-000 (737925)
Gate Driver Power Supply Board	031-02903-002	J7	025-19671-000 (737534)	025-11083-000 (737290)
Gate Driver Power Supply Board	031-02903-002	J8	025-19672-000 (737535)	025-22215-000 (62701)
Ambient Temperature at Sensor	-	-	025-29130-000 (738262)	025-28386-000 (737925)
Ambient Temperature at Cable	-	-	025-32564-000 (738737)	025-30999-000 (738540)
CPC CONNECTORS				
CPC CONNECTORS	HOUSING PART NUMBER (SAP PART NUMBER)	PIN PART NUMBER (SAP PART NUMBER)	COMPLETE CABLE (SAP PART NUMBER)	
Magnet Bearing Controller	025-37873-000 (739490)	025-40463-000 (873883)	571-06336-291 (1160853)	
Motor Monitoring	025-44974-000 (828162)	025-40463-000 (873883)	571-06336-286 (1160852)	
OptiView Communication	025-37873-000 (739490)	025-40463-000 (873883)	571-06336-227 (1160835)	
OptiView Power	025-44974-000 (828162)	025-37875-000 (739491)	571-06336-238 (1160843)	
UPS	025-44974-000 (828162)	025-37875-000 (739491)	571-06336-237 (1160842)	

Note: All items in Table 9 are NOT shown

0612 AMP VARIABLE SPEED DRIVE

TABLE 20 - POWER WIRING SECTION (0612 AMPS)

ITEM	SECTION	PART NUMBER	SAP NUMBER	FIGURE
119	Damping Resistors Wiring (wiring between L1 - L2 and the damping resistors)	571-06336-252	1160846	-
	Input Filter Wiring (Wiring between L1, L2 and capacitor assembly 3L1A - 3L3A)	571-06336-251	1160845	
35	Input Power Wiring Circuit Breaker (Wiring between circuit breaker and 1L)	571-06336-231	1160836	19
	Input Power Wiring Disconnect Switch (Wiring between disconnect switch and 1L)	571-06336-236	1160841	20
73	Inverter Power Wiring (Wiring between inverter and 3L)	571-06336-234	1160839	-
72	Output Power Wiring (Wiring between 3L and motor connection plate)	571-06336-235	1160840	32
76	Rectifier Power Wiring (Wiring between 1M and rectifier)	571-06336-233	1160838	21, 26
77	Power Wiring (Wiring between 2L and 1M)	571-06336-232	1160837	26

2

THIS PAGE INTENTIONALLY LEFT BLANK.

SECTION 3 - 0774 AMP VARIABLE SPEED DRIVE

TABLE 21 - INPUT COMPONENTS (0774 AMPS)

ITEM NUMBER	DESCRIPTION	YORK PART NUMBER	SAP PART NUMBER	QUANTITY	FIGURE
11	Circuit Breaker	224-37855-000	913802	1	36
29	Circuit Breaker Handle	026-46045-000	741273	1	36
10	Circuit Breaker Insulator	071-04459-310	748934	1	*
75	Damping Resistor Kit (includes 2 resistors & bracket)	025-44857-000	913761	6	39
11	Disconnect Switch	024-36974-000	704473	1	37
29	Disconnect Switch Handle	024-36614-000	736390	1	37
43	Disconnect Switch Lug Kit	025-43345-000	740272	1	37
24	Ground Lug	025-32835-000	738755	4	39
2	Input Current Transducer (DCCT)	025-42749-000	740134	3	38
5	Input Filter Assembly	371-05992-341	913807	1	39
3	Input Filter Capacitor for Assembly	025-42834-000	740148	9	39
1	Input Filter Capacitor with Resistor	025-43928-000	740379	1	39
6	Input Filter Resistor for Assembly	025-42616-000	740130	4	39
6	Input Line Inductor (1L) 227 lbs (103 Kg)	025-42768-000	740137	1	40
12	Input Load Inductor (2L) 291 lbs (132 Kg)	025-44855-000	838276	1	48
37	Input Voltage Isolator Board	031-02022-000	65064	1	39
36	Input Power Wiring Circuit Breaker (wiring between circuit breaker & 1L)	571-05992-231	913818	1	36
36	Input Power Wiring Disconnect Switch (wiring between disconnect switch & 1L)	571-05992-201	913816	1	37
8	Voltage Transient Board (Fuses are not included)	031-02453-000	743895	1	36
103	Input Filter Contactor	024-38736-000	1072516	1	39
67	Resistor DV/DT Network (50 Hz only)	025-46678-000	1113967	3	40
68	Capacitor DV/DT Network (50 Hz only)	025-39806-000	251765	3	40
70	Silicon Pad use with item 67 (1 each)	025-15299-000	-	3	40

3

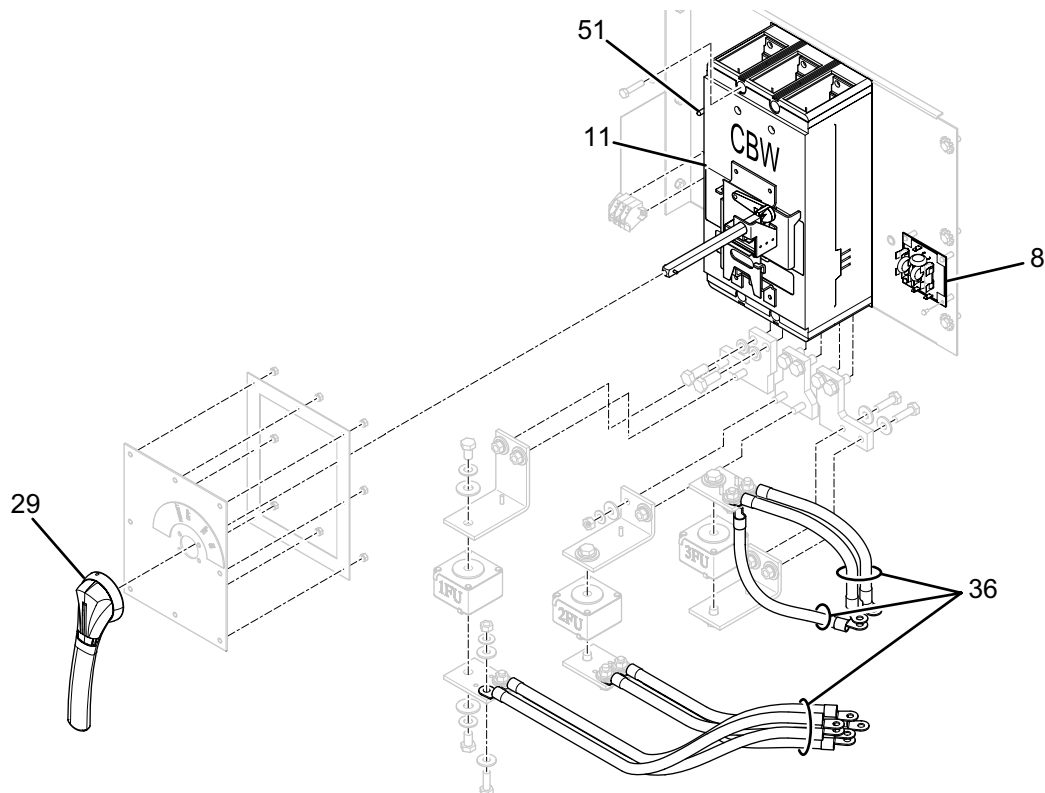


FIGURE 36 - CIRCUIT BREAKER (CB)

LD17774

0774 AMP VARIABLE SPEED DRIVE

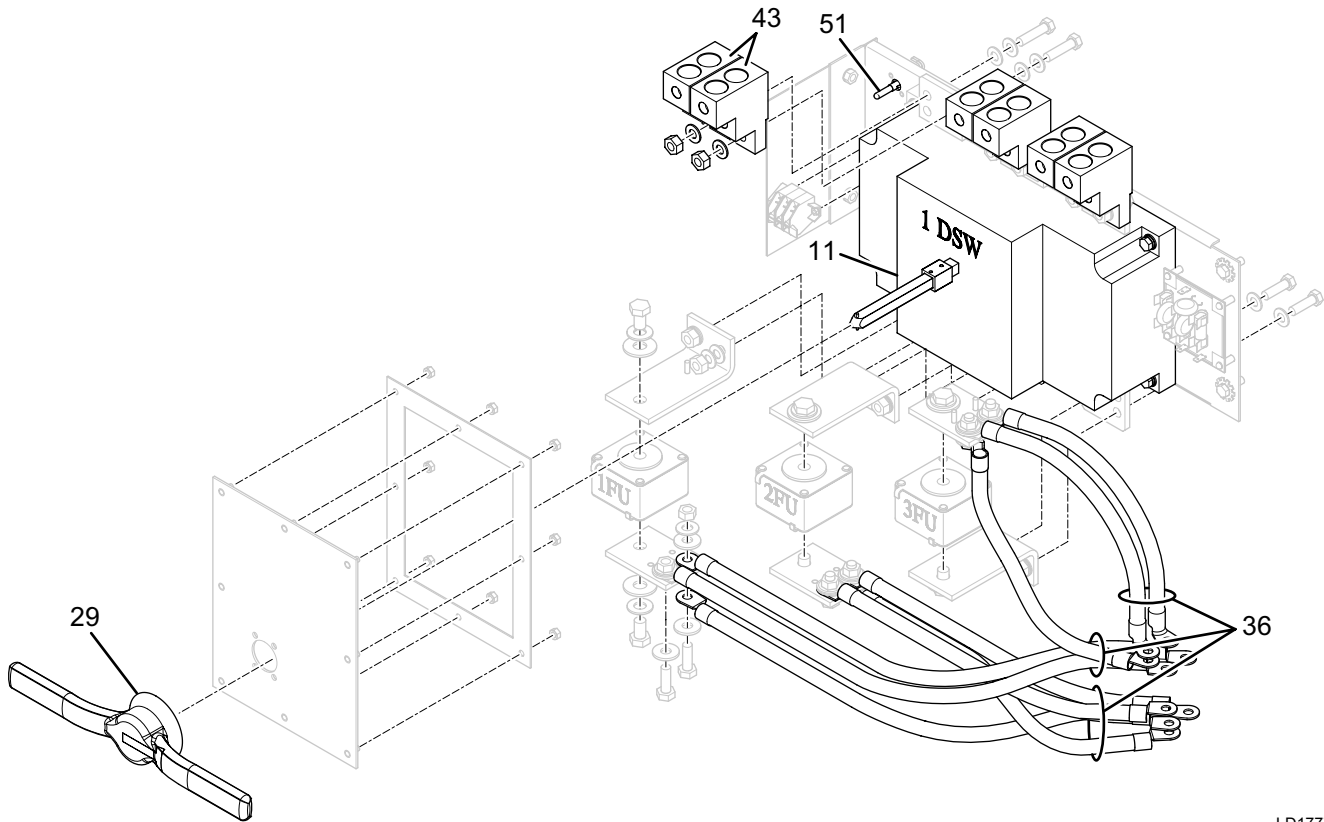


FIGURE 37 - DISCONNECT SWITCH (DS)

LD17773

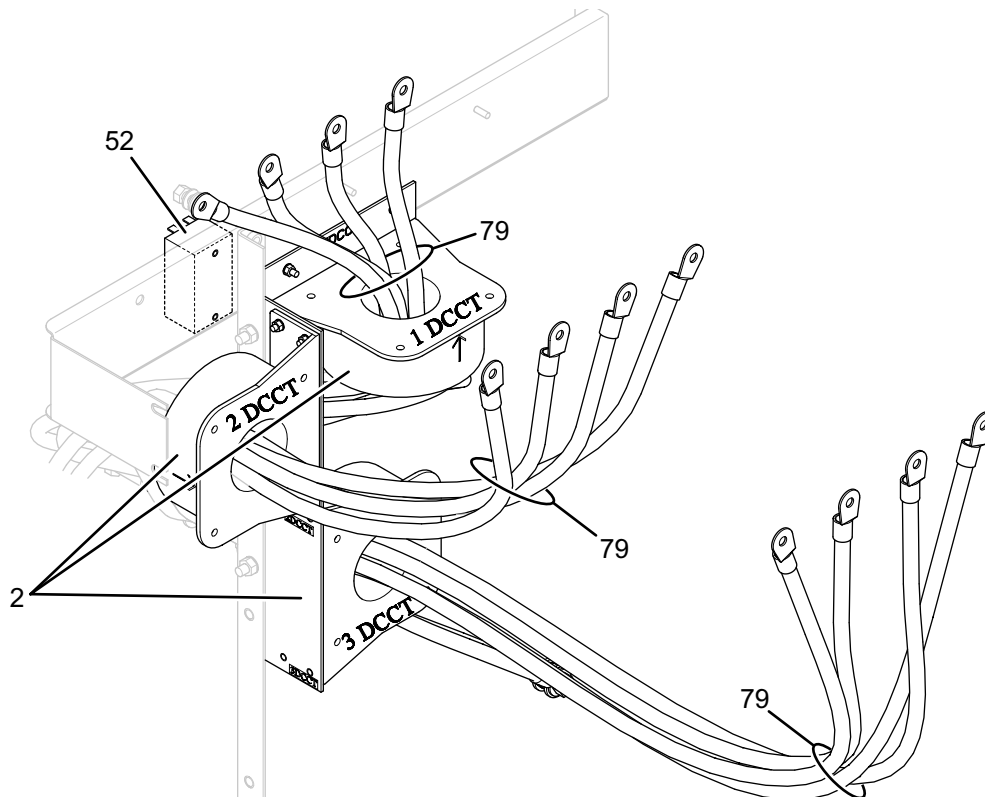
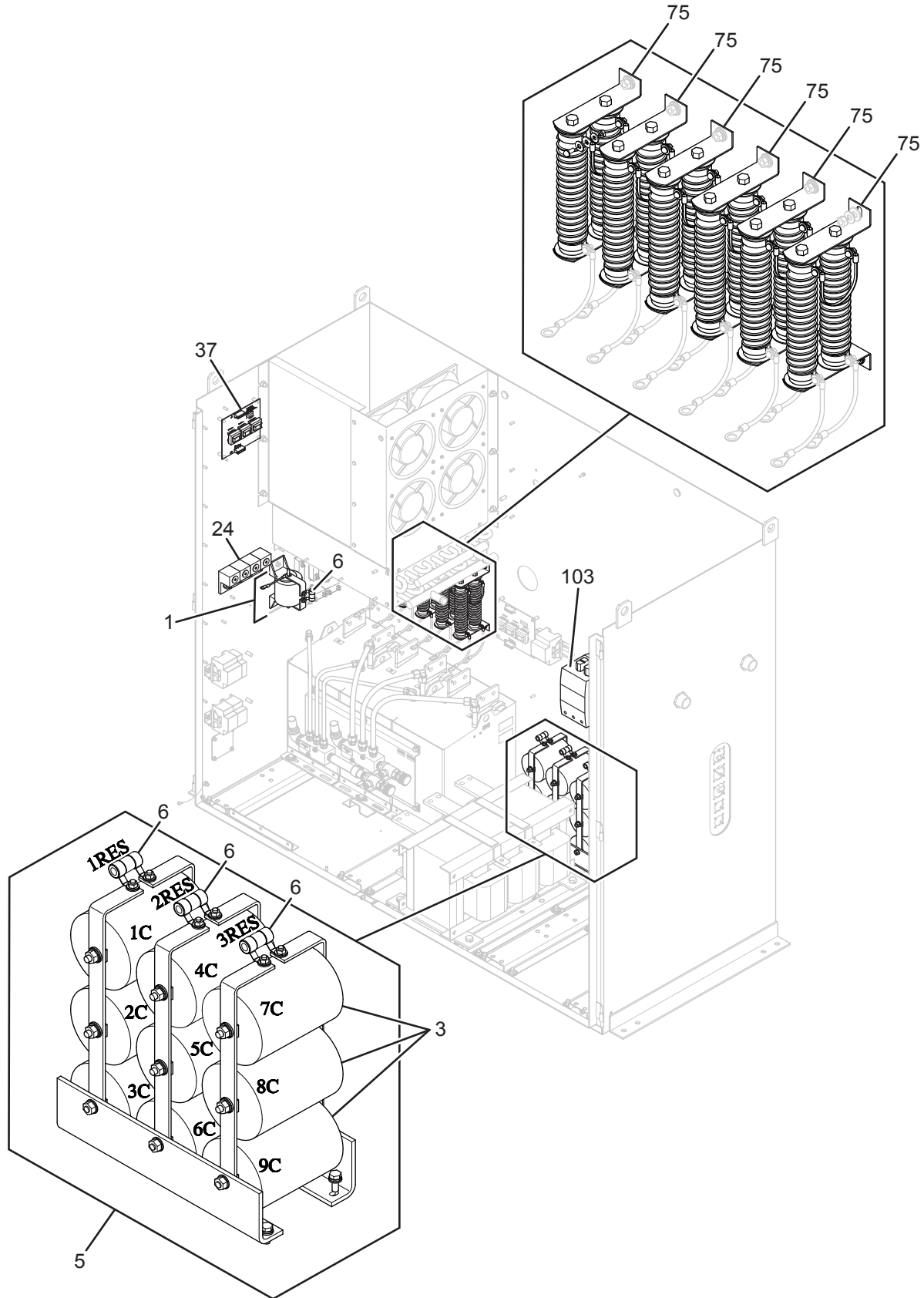


FIGURE 38 - CURRENT TRANSDUCER (DCCT)

LD17775

0774 AMP VARIABLE SPEED DRIVE



3

FIGURE 39 - INPUT FILTER COMPONENTS

LD17776

0774 AMP VARIABLE SPEED DRIVE

TABLE 22 - FUSE COMPONENTS (0774 AMPS)

ITEM NUMBER	DESCRIPTION	YORK PART NUMBER	SAP PART NUMBER	QUANTITY	FIGURE
86	Fuse 1 AMP (4FU-6FU & 19FU-21FU)	025-43326-000	740259	6	40/41
26	Fuse 5 AMP Voltage Transient Board Fuses (16FU-18FU)	025-38523-000	739590	3	40
88	Fuse 7 AMP (13FU-15FU)	025-35903-000	117821	3	42
57	Fuse 10 AMP 460 VAC 60 Hz (7FU-10FU)	025-35905-000	739234	4	40
	Fuse 12 AMP 400 VAC 60 Hz, & 400, 415 VAC 50Hz (7FU-10FU)	025-35906-000	652698		
87	Fuse 20 AMP (11FU, 12FU & 27FU)	025-35908-000	117823	3	40/42
35	2 Pole Fuse Holder	025-43899-000	740368	3	40/42
32	1 Pole Fuse Holder 30A	025-39951-000	359985	1	40
31	3 Pole Fuse Holder 30A	025-39952-000	343433	3	40-42
24	Input Power Fuse (1FU-3FU)	025-42615-000	913760	3	40
*	Input Power Fuse (1FU-3FU set of three)	371-05992-601	-	-	-

NOTE: Items with an * are NOT represented.

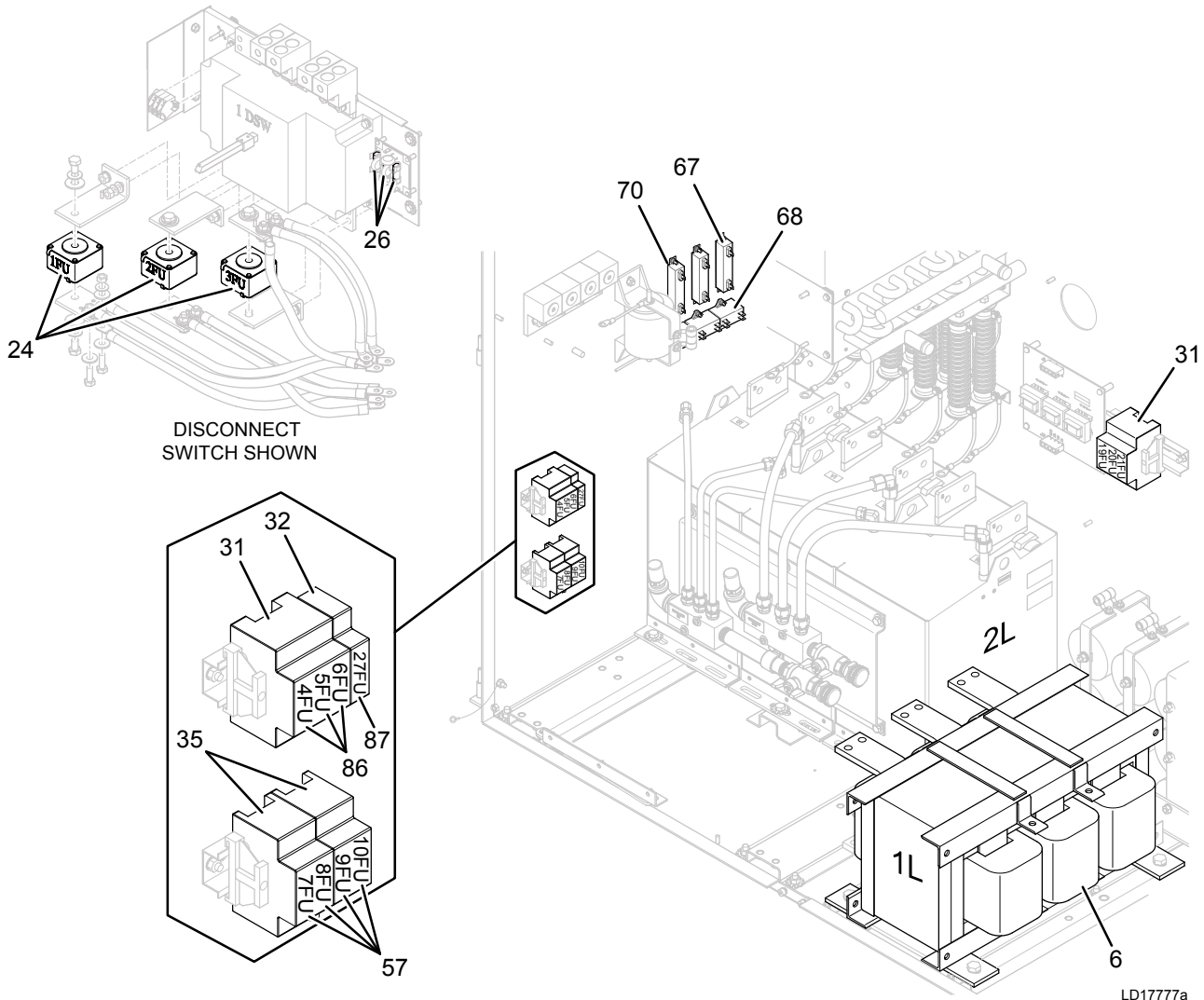
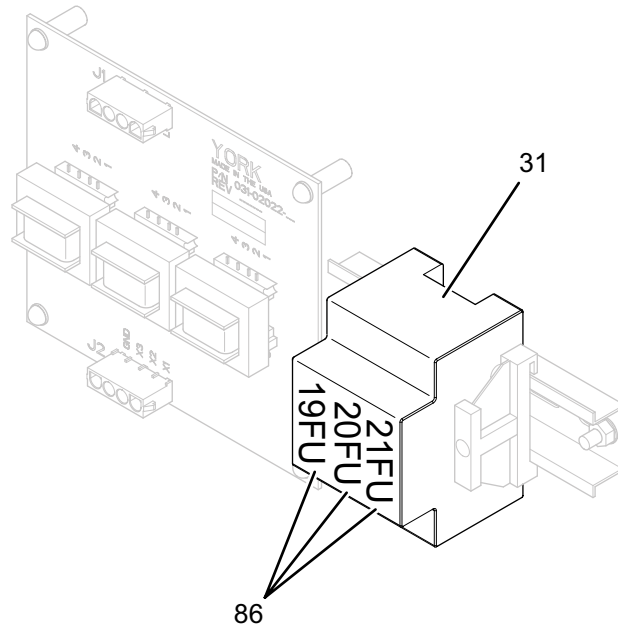


FIGURE 40 - FUSES AND FUSE HOLDERS (1FU-10FU, 19FU-21FU & 27FU)

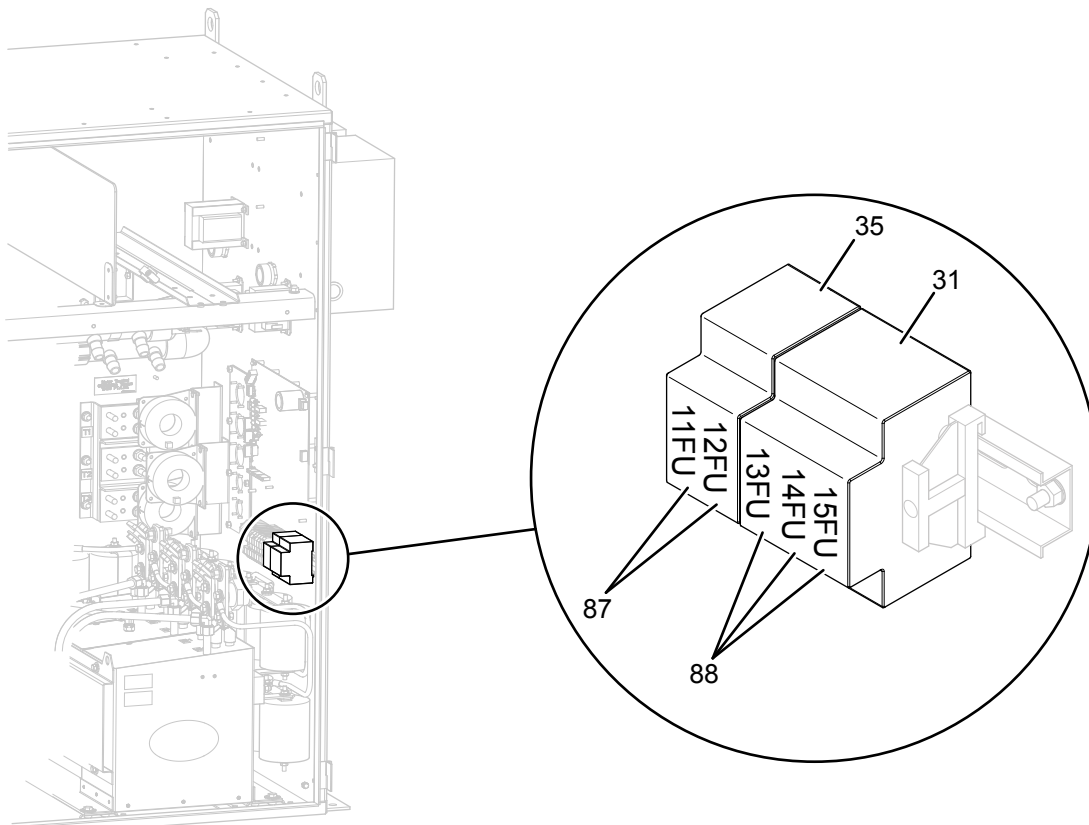
0774 AMP VARIABLE SPEED DRIVE



3

LD17780

FIGURE 41 - AUXILIARY FUSES (19FU-21FU)



LD18019

FIGURE 42 - FUSES AND FUSE HOLDERS (11FU-15FU)

0774 AMP VARIABLE SPEED DRIVE

TABLE 23 - DOOR COMPONENTS (0774 AMPS)

ITEM NUMBER	DESCRIPTION	YORK PART NUMBER	SAP PART NUMBER	QUANTITY	FIGURE
29	Circuit Breaker Door Mounting Kit	026-46045-000	741273	1	43
	Disconnect Switch Handle	024-36614-000	736390		
105	Door Ground Strap	525-32508-001	806677	2	43
4	Door Kit Left 60 Hz (Including all labels & latches)	371-05992-651	-	1	43
	Door Kit Left 50 Hz (Including all labels & latches)	371-05592-653	-		
	Door Kit Right 60 Hz (Including all labels & latches)	371-05992-656	-		
	Door Kit Right 50 Hz (Including all labels & latches)	371-05592-658	-		
3	Door Latch	029-25614-000	743380	4	43
19	Door Stop Mounting Plate	371-05614-553	-	1	43
97	Door Stop Assembly	029-23420-000	119865	1	43
52-1	Label Front Door JCI Logo	035-23036-000	745608	1	43

NOTE: Items with an * are NOT represented.

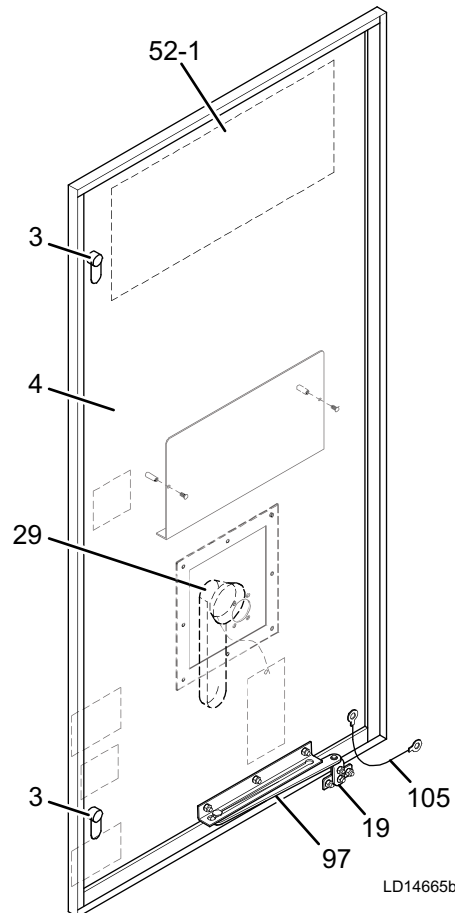


FIGURE 43 - DOOR COMPONENTS

0774 AMP VARIABLE SPEED DRIVE

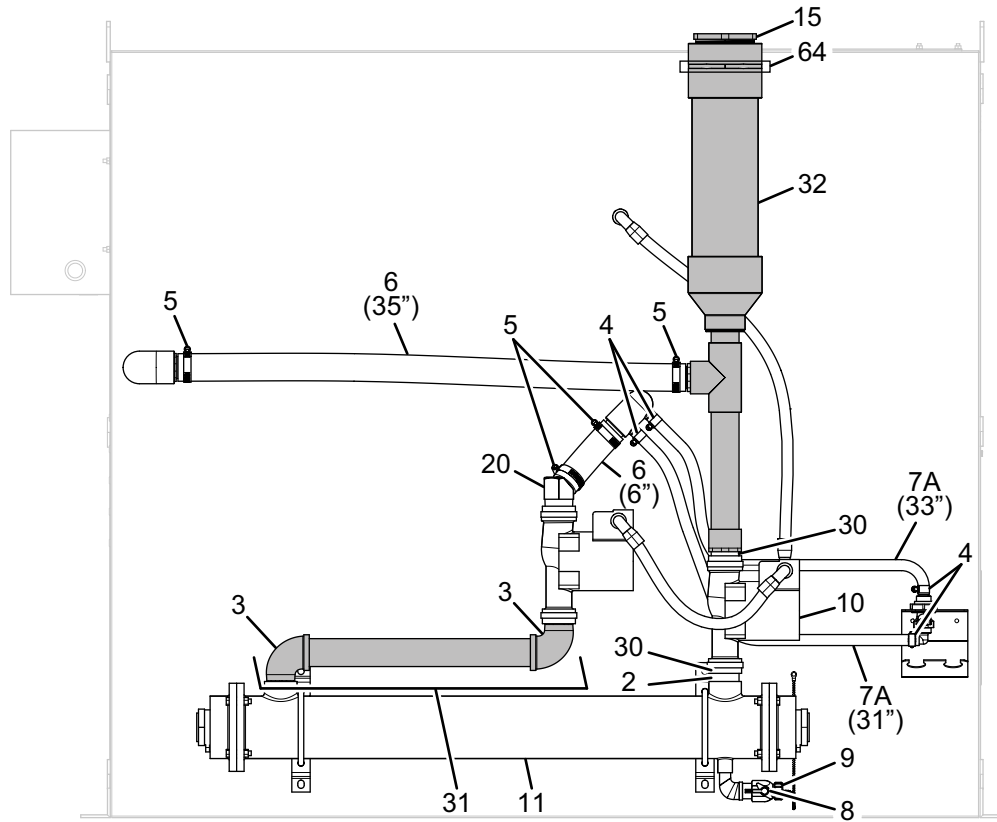
TABLE 24 - COOLING SYSTEM COMPONENTS (0774 AMPS)

ITEM NUMBER	DESCRIPTION	YORK PART NUMBER	SAP PART NUMBER	QUANTITY	FIGURE
8	Coolant Drain Valve	022-12207-000	839729	1	44
9	Coolant Drain Valve Cap	025-25526-000	-	1	44
1	Coolant Hose Barb Straight Kit (hose barb & hose)	371-05992-626	-	-	50
2	Coolant Hose Barb Elbow Kit (hose barb & hose)	371-05992-631	-	-	47
4	Coolant Hose Clamp 1"	023-08856-000	617439	50	44/47/48
5	Coolant Hose Clamp 2"	021-32226-000	730939	4	44
6	Coolant Hose External 1 1/2"	028-16373-000	742214	38"	44
7A	Coolant Hose External 3/4 " ID by the foot (To the power panel)	028-16692-000	864411	64"	44
7B	Coolant Hose Internal 3/4 " ID by the foot	028-16768-000	1056103	50"	47
70	Coolant Hose on Inductor 3/8 "	325-44864-607	-		48
71	Coolant Hose on Inductor 1/2 "	325-44864-618	-		48
32	Coolant Manifold Kit	371-05992-672	-	1	45/47
31	Coolant Manifold Supply Kit	371-05992-636	-	1	45/47
30	Coolant Manifold Return Kit	371-05992-671	-	1	45/47
45	Coolant Manifold Clamp	028-16632-000	913766	5	47/48
49	Coolant Manifold Bracket	371-05182-399	-	2	47
72	Coolant Manifold on Inductors 3/8"	325-44864-603	-	2	48
73	Coolant Manifold on Inductors 1/2"	325-44864-615	-	2	48
74	Coolant Manifold on Inductors Fittings Elbow 3/8"	325-44864-609	-	6	48
75	Coolant Manifold on Inductors Fittings Elbow 1/2"	325-44864-616	-	6	48
10	Coolant Pump	026-33890-000	3590	1	44
30	Coolant Pump Flange Set	023-20283-000	733193	2	44
32	Coolant Reservoir 4" PVC with Fill Plug Kit	371-05992-673	-	1	44
15	Coolant Reservoir Fill Plug	028-16630-000	843247	1	
64	Coolant Reservoir Hose Clamp	021-33315-000	865765	1	
76	Coolant Valves on Inductors	325-44864-605	-	4	
20	Elbow 45°	028-16559-000	839776	1	44
3	Elbow 90°	023-17785-000	617581	2	44
51	Enclosure Temperature Sensor with connector	571-05182-283	807091	1	37/45
62	Flow Restrictor	028-16619-000	-	4	47/49
*	Inhibitor Per Gallon	013-02987-000	-	6 Gallon	-
14	Internal Cooling Coil	026-45982-000	741251	1	46/47
19	Internal Cooling Fan	025-32557-000	738735	4	46
2	Nipple Pipe Stl Sch 40, 1-1/2 X 2.00" Lg.	023-18209-000	-	1	44
52	Relay, Control Fan / Pump	024-30441-000	664298	1	45
11	Shell & Tube Heat Exchanger, 150 PSI Condenser 4"	026-46071-000	-	1	44
	Shell & Tube Heat Exchanger, 300 PSI Condenser 4"	026-46434-000	913764		
*	Shell & Tube Heat Exchanger Head Gaskets (set of two) 4"	371-03716-002	-	1	-
31	Shell and Tube Heat Exchanger Outlet Assembly Kit	371-05992-662	-	1	44
60	Tee Adapter 'A'	371-05992-406	843294	1	47/49
61	Tee Adapter 'B'	371-05992-408	843295	1	47/49

NOTE: Items with an * are NOT represented.

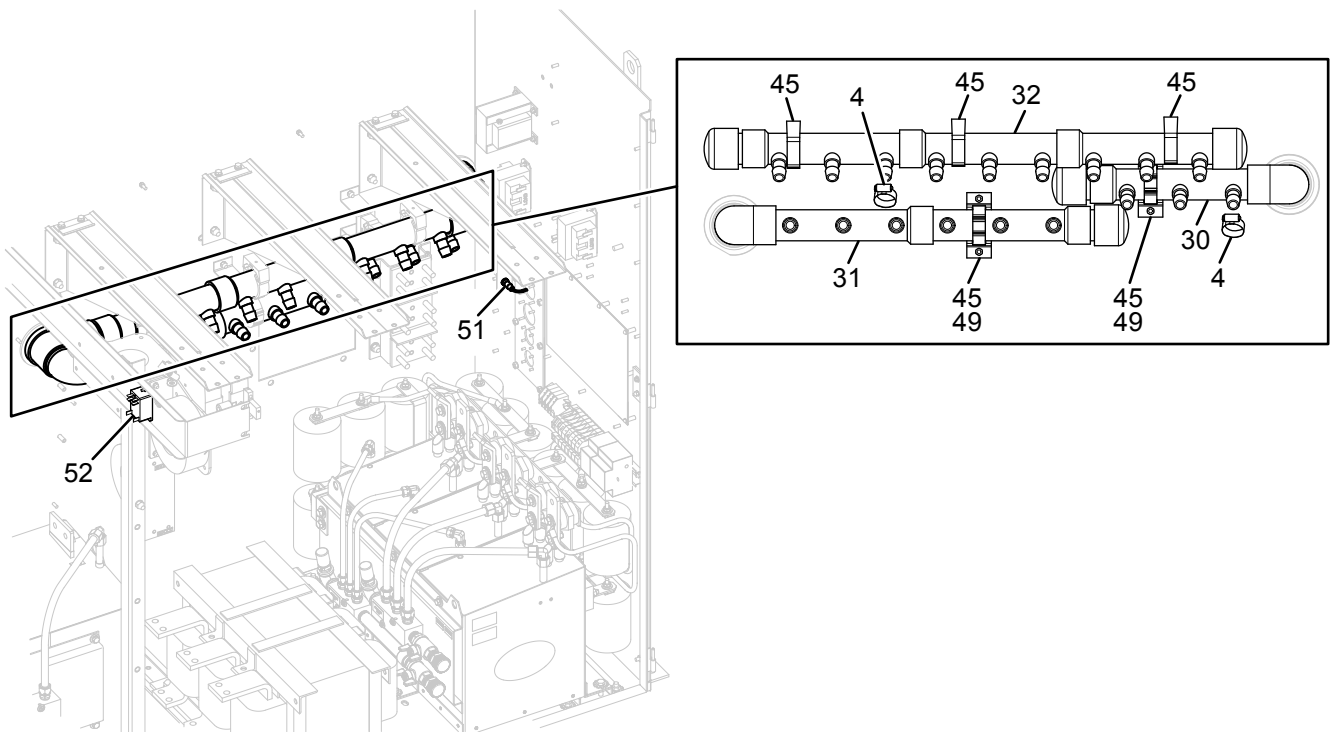
3

0774 AMP VARIABLE SPEED DRIVE



LD18020

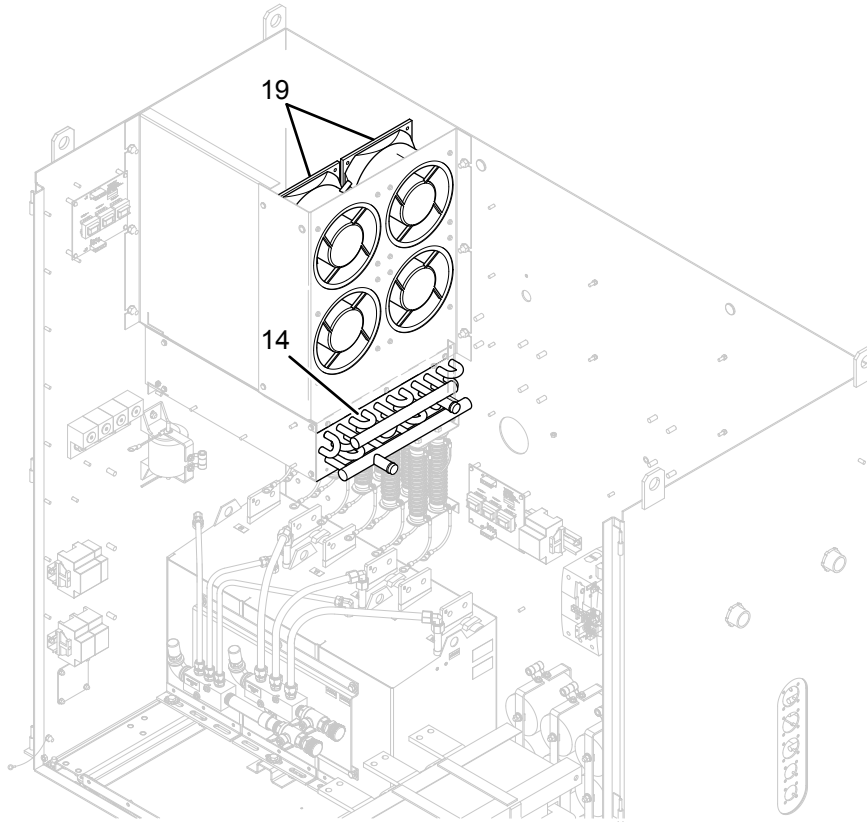
FIGURE 44 - EXTERNAL COOLING SYSTEM



LD18021

FIGURE 45 - INTERNAL COOLING SYSTEM

0774 AMP VARIABLE SPEED DRIVE



LD18023

FIGURE 46 - INTERNAL COOLING SYSTEM

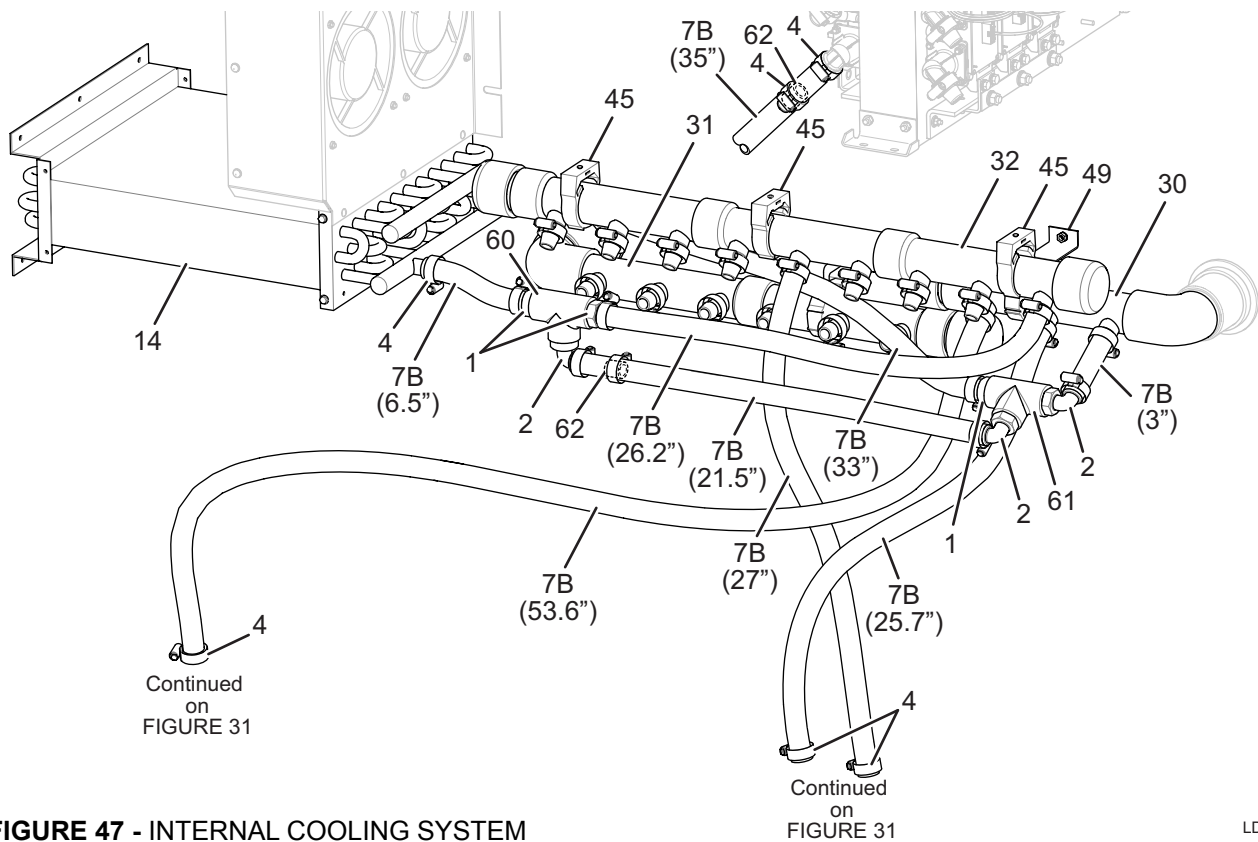


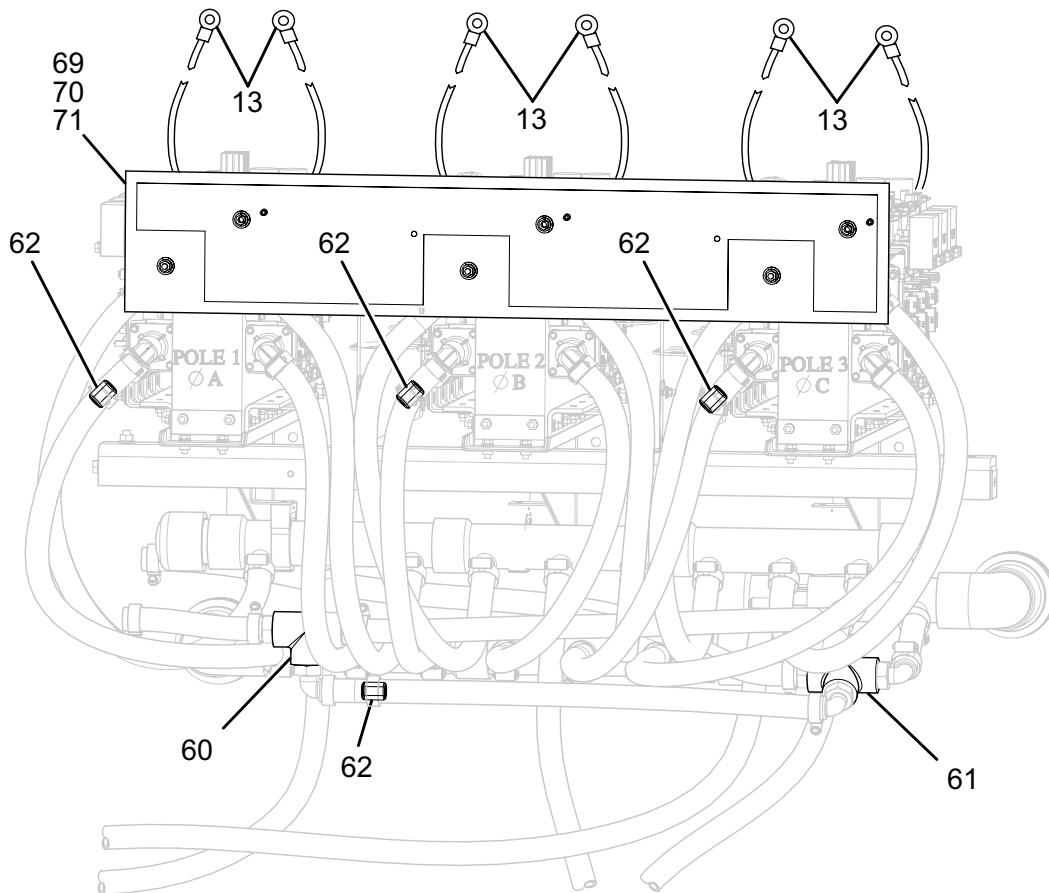
FIGURE 47 - INTERNAL COOLING SYSTEM

LD18025

0774 AMP VARIABLE SPEED DRIVE

TABLE 25 - POWER ASSEMBLY COMPONENTS (0774 AMPS)

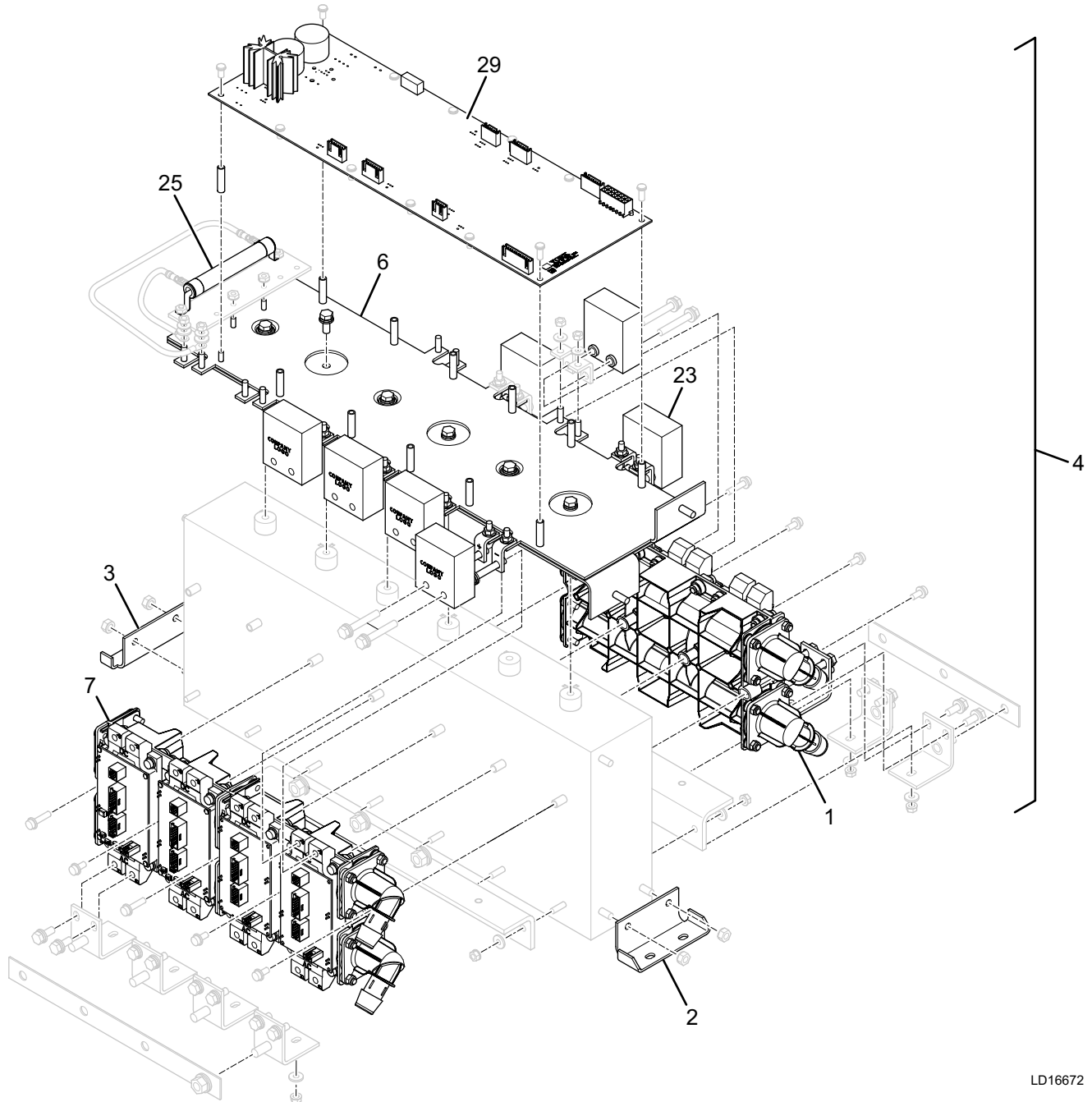
ITEM NUMBER	DESCRIPTION	YORK PART NUMBER	SAP PART NUMBER	QUANTITY	FIGURE
25	Bus Bleeder Resistor (ea.)	025-45188-000	843241	3	50
6	Bus Plate Assembly Kit	371-05526-601	-	3	50
70	Bus Plate (Positive or Negative)	071-05182-485	843250	2	49
23	Bus Snubber Capacitor (ea.)	025-42835-000	740149	21	50
29	IGBT Gate Driver Board	031-02762-001	744086	3	50
71	Insulator sheet between Bus Plates	071-05992-385	843267	1	49
1	Inverter Power Module Kit (one phase)	371-05999-611	-	3	50
83	Inverter Power Wiring (wiring between Inverter & L3)	571-05992-241	913821	1	51
2	Power Unit Mounting Foot Front	071-05508-312	749269	3	50
3	Power Unit Mounting Foot Rear	071-05508-310	749268	3	50
7	Rectifier Power Module Kit (one phase)	371-05526-616	-	3	50
79	Rectifier Power Wiring (wiring between 1L,2L&rectifier)	571-05992-221	913817	1	38
69	Spacer between Bus Plates	371-05182-490	843274	3	49
4	VSD Rectifier/Inverter Power Unit Complete Kit (IGBT, Capacitors, Heatsink, Coolant) 50 lbs. (23 Kg)	371-05999-621	-	3	50
13	Wiring Ground	571-05526-241	807110	6	49



LD18022

FIGURE 49 - POWER ASSEMBLY COMPONENTS

0774 AMP VARIABLE SPEED DRIVE



LD16672

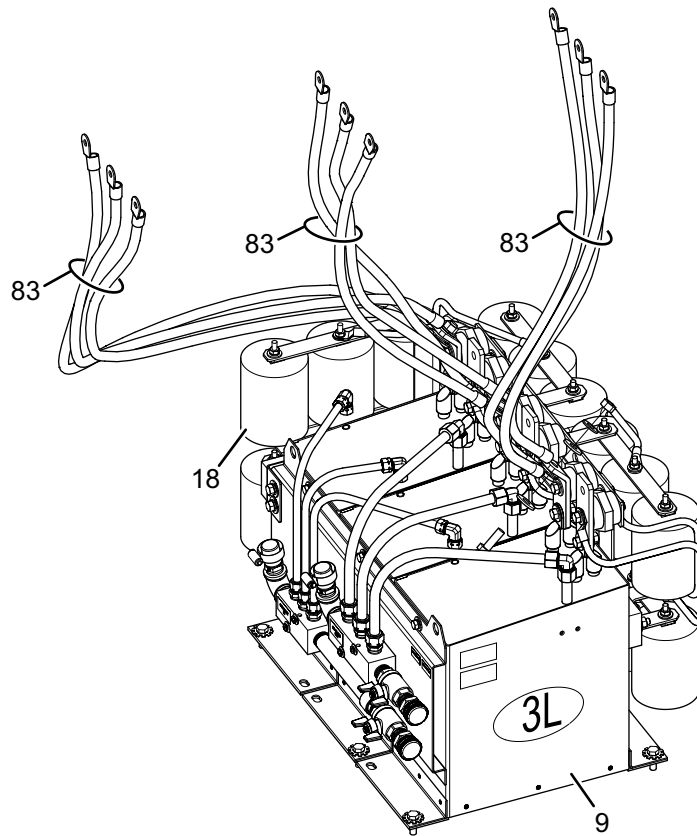
FIGURE 50 - POWER POLE ASSEMBLY

0774 AMP VARIABLE SPEED DRIVE

TABLE 26 - OUTPUT COMPONENTS (0774 AMPS)

ITEM NUMBER	DESCRIPTION	YORK PART NUMBER	SAP PART NUMBER	QUANTITY	FIGURE
1	Motor Connection Plate	371-05992-366	843288	1	52
2	Output Current Transducer (DCCT)	025-45590-000	1045992	3	52
18	Output Harmonic Filter Capacitor	025-45337-000	-	18	51
9	Output Harmonic Filter Assembly 381 lbs (173 Kg)	025-44856-000	838277	1	51
147	Output Power Wiring (wiring between 3L & motor connection plate)	571-05992-236	913819	1	52
38	Output Voltage Isolator Board	031-02022-001	743845	1	52

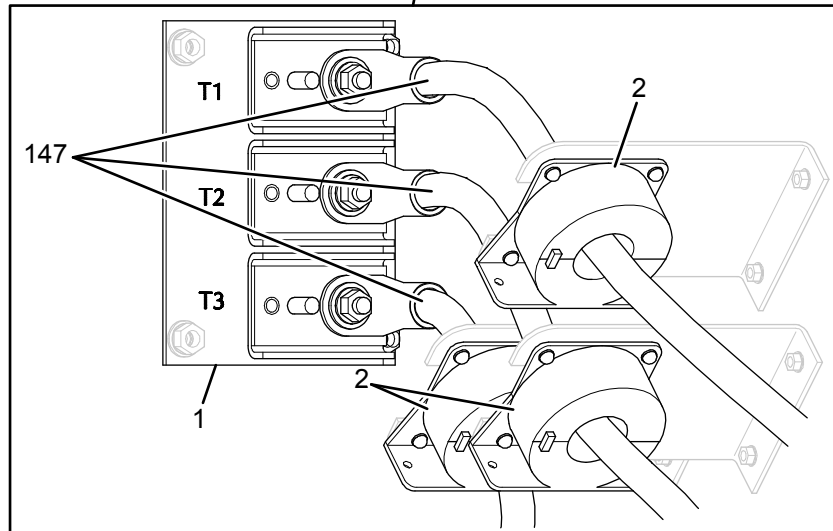
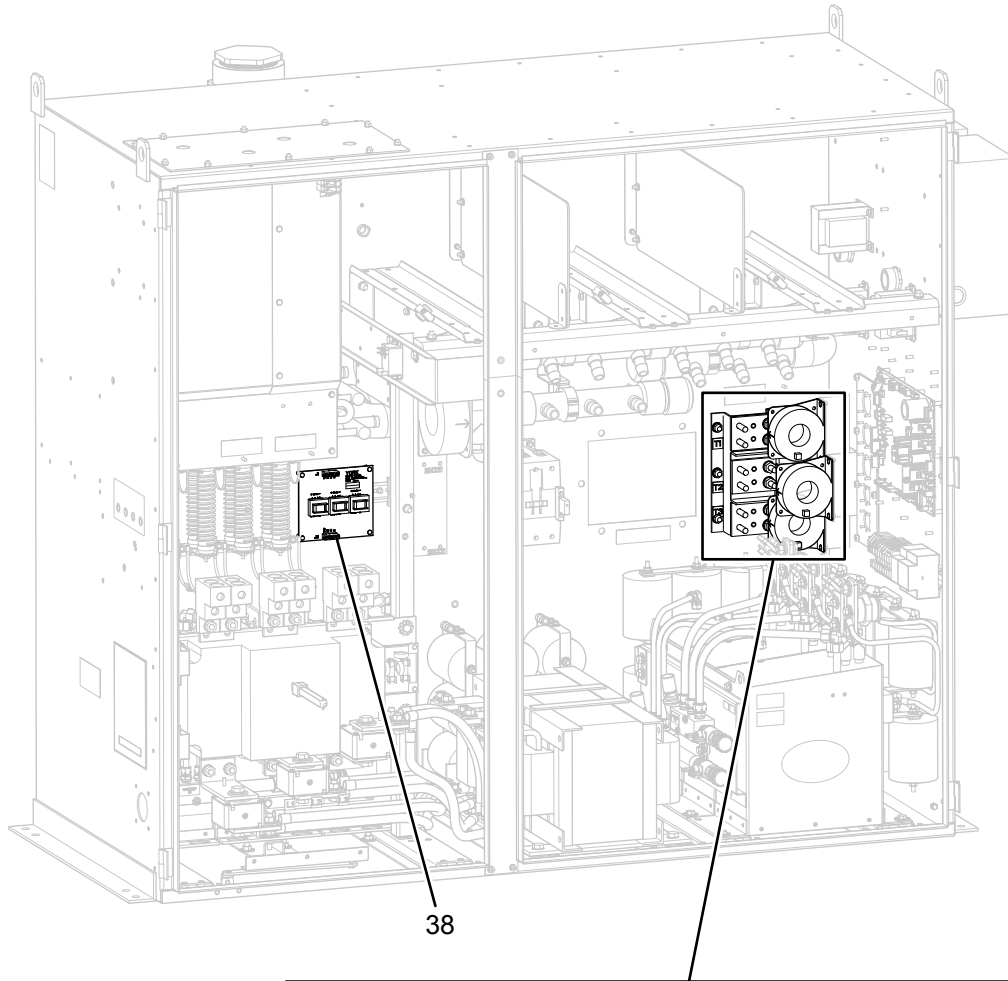
3



LD16534

FIGURE 51 - OUTPUT HARMONIC FILTER COMPONENTS #1

0774 AMP VARIABLE SPEED DRIVE



LD16670

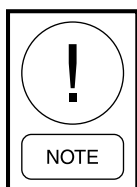
FIGURE 52 - OUTPUT HARMONIC FILTER COMPONENTS #2

0774 AMP VARIABLE SPEED DRIVE

TABLE 27 - DRIVE LOGIC BOARD AND COMPONENTS (0774 AMPS)

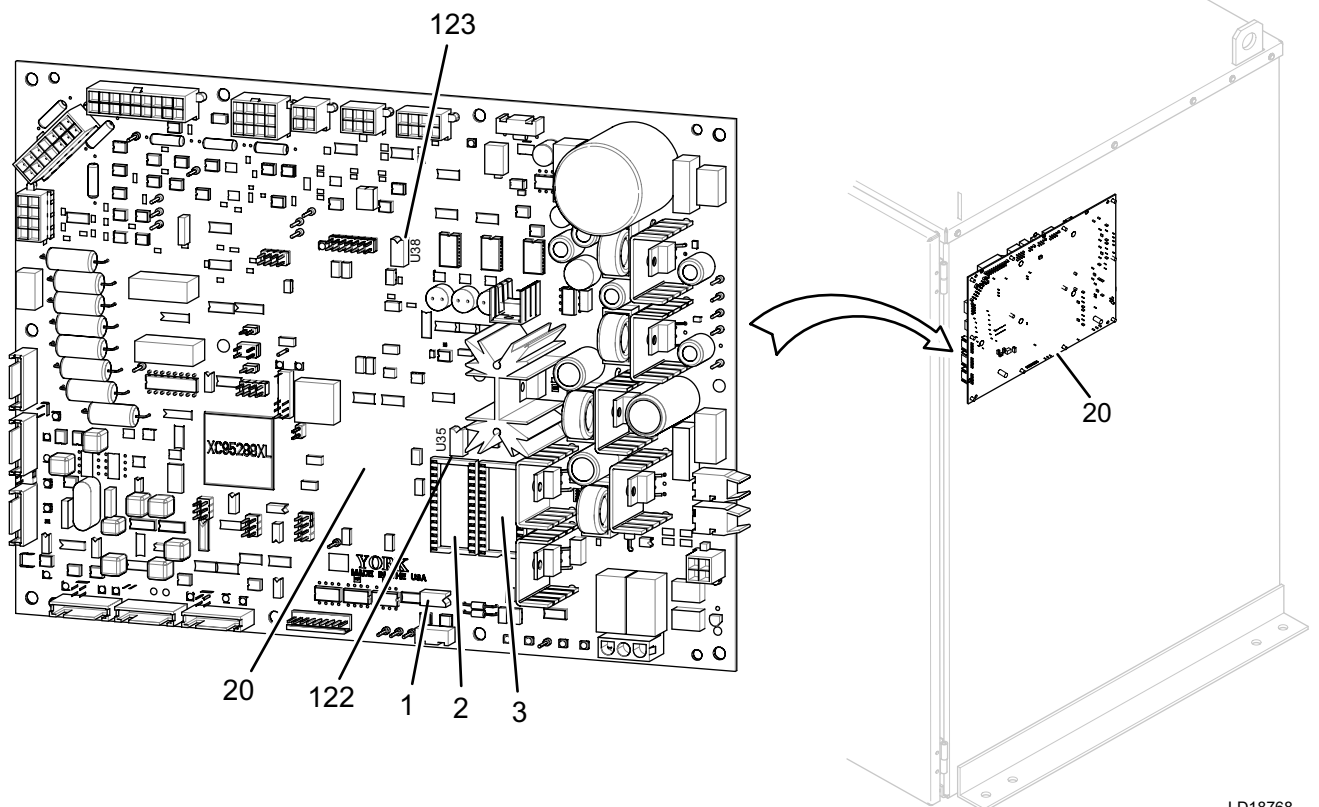
ITEM NUMBER	DESCRIPTION	YORK PART NUMBER	SAP PART NUMBER	QUANTITY	FIGURE
3	BRAM Chip U36	031-02482-000	-	1	53
2	BRAM Chip U37	031-02483-000	-	1	53
122	PROM Chip U35 (for 031-02911-00X board)	031-03048-001	744215	1	53
123	PROM Chip U38 (for 031-02911-00X board)	031-03049-001	744216	1	53
1	U66 485 Communications Driver	031-02074-000	120352	-	53
20	VSD Logic Board	031-02911-004	1135023	1	53
*	VSD Logic Board Kit (includes all software)	331-02911-604	1150615	-	-

NOTE: Items with an * are NOT represented.



PROM Chips U35 and U38 must be ordered as a set.

3



LD18768

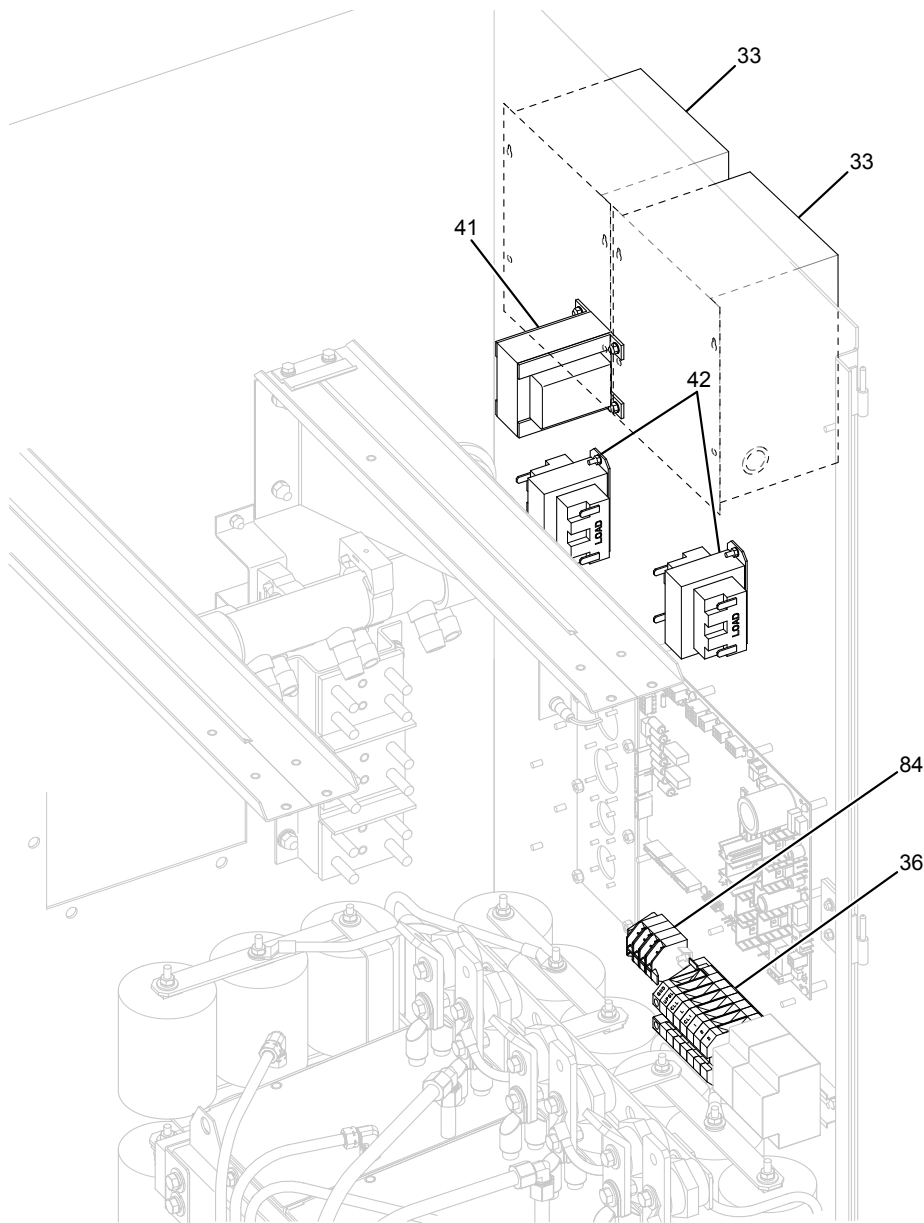
FIGURE 53 - DRIVE LOGIC BOARD AND COMPONENTS

0774 AMP VARIABLE SPEED DRIVE

TABLE 28 - MISCELLANEOUS COMPONENTS (0774 AMPS)

ITEM NUMBER	DESCRIPTION	YORK PART NUMBER	SAP PART NUMBER	QUANTITY	FIGURE
33	Control Transformer 480VAC 3KVA	025-29627-002	117496	2	54
	Control Transformer 380/400/415VAC 3KVA	025-29627-003	738308	2	
42	Control Transformer 24 VAC 75 VA	025-27911-000	1312	2	54
41	Control Transformer	025-43339-000	740269	1	54
84	Terminal Block 4-pole	025-44853-004	839754	1	54
36	Terminal Block 8-pole	025-45041-000	839762	1	54
*	Suppressor used on 1M	025-46473-000	1072517	-	-
*	Suppressor used on 1R	031-00808-000	618876	-	-

NOTE: Items with an * are NOT represented.



LD17779

FIGURE 54 - MISCELLANEOUS COMPONENTS

0774 AMP VARIABLE SPEED DRIVE

TABLE 29 - WIRING HARNESSSES AND CONNECTORS (0774 AMPS)

BOARD NAME	BOARD PART NUMBER	POSITION	HOUSING PART NUMBER (SAP PART NUMBER)	PIN PART NUMBER (SAP PART NUMBER)
Line Voltage Isolator Board	031-02022-000	J1	025-19671-000 (737534)	025-22215-000 (62701)
Line Voltage Isolator Board	031-02022-000	J2	025-21417-000 (737658)	025-22215-000 (62701)
Output Voltage Isolator Board	031-02022-001	J1	025-21417-000 (737658)	025-22215-000 (62701)
Output Voltage Isolator Board	031-02022-001	J2	025-21417-000 (737658)	025-22215-000 (62701)
Input DC Current Transducer	-	-	025-43356-000 (740274)	025-43357-000 (740275)
Output DC Current Transducer	-	-	025-43356-000 (740274)	025-43357-000 (740275)
VSD Logic Board	031-02911-004	J1	025-19672-000 (737535)	025-22215-000 (62701)
VSD Logic Board	031-02911-004	J2	025-42614-000 (740129)	025-28386-000 (737925)
VSD Logic Board	031-02911-004	J3	025-35964-000 (739253)	025-28386-000 (737925)
VSD Logic Board	031-02911-004	J4	025-28384-000 (737920)	025-28386-000 (737925)
VSD Logic Board	031-02911-004	J5	025-28959-000 (738246)	025-28386-000 (737925)
VSD Logic Board	031-02911-004	J6	025-28382-000 (737916)	025-28386-000 (737925)
VSD Logic Board	031-02911-004	J7	025-35966-000 (550505)	025-28386-000 (737925)
VSD Logic Board	031-02911-004	J8 and J11	Assembly # 571-05992-205 (994025)	N/A
VSD Logic Board	031-02911-004	J9 and J12	Assembly # 571-05992-207 (994026)	N/A
VSD Logic Board	031-02911-004	J10 and J13	Assembly # 571-05992-209 (994027)	N/A
VSD Logic Board	031-02911-004	J14	025-28959-000 (738246)	025-28386-000 (737925)
VSD Logic Board	031-02911-004	J15	025-29130-000 (738262)	025-28386-000 (737925)
VSD Logic Board	031-02911-004	J17	025-21136-000 (737636)	025-19674-000 (144774)

3

0774 AMP VARIABLE SPEED DRIVE

TABLE 29 - WIRING HARNESSSES AND CONNECTORS (0774 AMPS) (CONT'D)

BOARD NAME	BOARD PART NUMBER	POSITION	HOUSING PART NUMBER (SAP PART NUMBER)	PIN PART NUMBER (SAP PART NUMBER)
VSD Logic Board	031-02911-004	J18	Assembly # 571-05992-227 (994032)	N/A
VSD Logic Board	031-02911-004	J19	025-21137-000 (737637)	025-19674-000 (737537)
VSD Logic Board	031-02911-004	J25	025-35966-000 (550505)	025-28386-000 (737925)
VSD Logic Board	031-02911-004	J36	Assembly # 571-05992-291 (994037)	N/A
IGBT Gate Driver Board	031-02762-001	J1	025-21136-000 (737636)	025-32506-000 (738721)
IGBT Gate Driver Board	031-02762-001	J2	025-42614-000 (740129)	025-28386-000 (737925)
IGBT Gate Driver Board	031-02762-001	J3	025-19671-000 (737534)	025-19673-000 (737536)
IGBT Gate Driver Board	031-02762-001	J4	025-19672-000 (737535)	025-22215-000 (62701)
IGBT Gate Driver Board - Inverter	031-02762-001	J5 and J6	Assembly # 571-05999-201 (843306)	N/A
IGBT Gate Driver Board - Rectifier	031-02762-001	J7 and J8	Assembly # 571-05526-211 (807107)	N/A
IGBT Gate Driver Board - Rectifier	031-02762-001	J9 and J11	Assembly # 571-05526-221 (807107)	N/A
IGBT Gate Driver Board - Inverter	031-02762-001	J10	Assembly # 571-05999-231 (843307)	N/A
Rectifier Resistor Board	031-02764-001	J1 and J4	Assembly # 571-05526-221 (807108)	N/A
Rectifier Resistor Board	031-02764-001	J2 and J3	Assembly # 571-05526-211 (807107)	N/A
Inverter Resistor Board	031-02765-001	J1	Assembly # 571-05999-231 (843307)	N/A
Inverter Resistor Board	031-02765-001	J2 and J3	Assembly # 571-05999-201 (843306)	N/A

0774 AMP VARIABLE SPEED DRIVE

TABLE 29 - WIRING HARNESSSES AND CONNECTORS (0774 AMPS) (CONT'D)

BOARD NAME	BOARD PART NUMBER	POSITION	HOUSING PART NUMBER (SAP PART NUMBER)	PIN PART NUMBER (SAP PART NUMBER)
Ambient Temperature at Sensor	-	-	025-29130-000 (738262)	025-28386-000 (737925)
Ambient Temperature at Cable	-	-	025-32564-000 (738737)	025-30999-000 (738540)
CPC CONNECTORS				
CPC CONNECTORS DESCRIPTION	HOUSING PART NUMBER (SAP PART NUMBER)	PIN PART NUMBER (SAP PART NUMBER)	COMPLETE CABLE (SAP PART NUMBER)	
Magnet Bearing Controller	025-37873-000 (739490)	025-40463-000 (873883)	571-05992-291 (994037)	
Motor Monitoring	025-44974-000 (828162)	025-40463-000 (873883)	571-05992-286 (994036)	
OptiView Communication	025-37873-000 (739490)	025-40463-000 (873883)	571-05992-227 (994032)	
OptiView Power	025-44974-000 (828162)	025-37875-000 (739491)	571-05992-217 (994031)	
UPS	025-44974-000 (828162)	025-37875-000 (739491)	571-05992-216 (994030)	

Note: All items in Table 19 are NOT shown

TABLE 30 - POWER WIRING SECTION (0774 AMPS)

DESCRIPTION	PART NUMBER	SAP NUMBER
Damping resistors (4L1-4L3)	571-05992-251	913822
Damping resistors 3 sets of wires (2L1G-2L3G, 3L1-3L3, 3L1E-3L3E, and braided wires)	571-05992-252	913823
Input Power Wiring Circuit Breaker (Wiring between circuit breaker and 1L)	571-05992-231	913818
Input Power Wiring Disconnect Switch (Wiring between disconnect switch and 1L)	571-05992-201	913816
Inverter Power Wiring (Wiring between Inverter and 3L)	571-05992-241	913821
Output Power Wiring (Wiring between 3L & motor connection plate)	571-05992-236	913819
Rectifier Power Wiring (Wiring between 1L, 2L and rectifier)	571-05992-221	913817



P.O. Box 1592, York, Pennsylvania USA 17405-1592
Copyright © by Johnson Controls 2015
Form 160.84-RP3 (115)
Issue Date: January 30, 2015
Supersedes: Form 160.84-RP3 (1014)

800-861-1001
www.johnsoncontrols.com

Subject to change without notice. Printed in USA
ALL RIGHTS RESERVED