



BY JOHNSON CONTROLS

**PACKAGED ROOFTOP
AIR CONDITIONING UNITS**

RENEWAL PARTS

Supersedes: 100.50-RP7 (109)

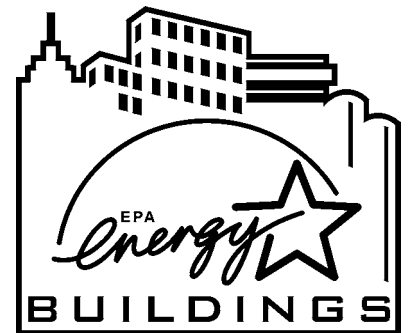
Form 100.50-RP7 (610)

eco²

**50 - 105 TON
R-407 and R-22
MOD D**

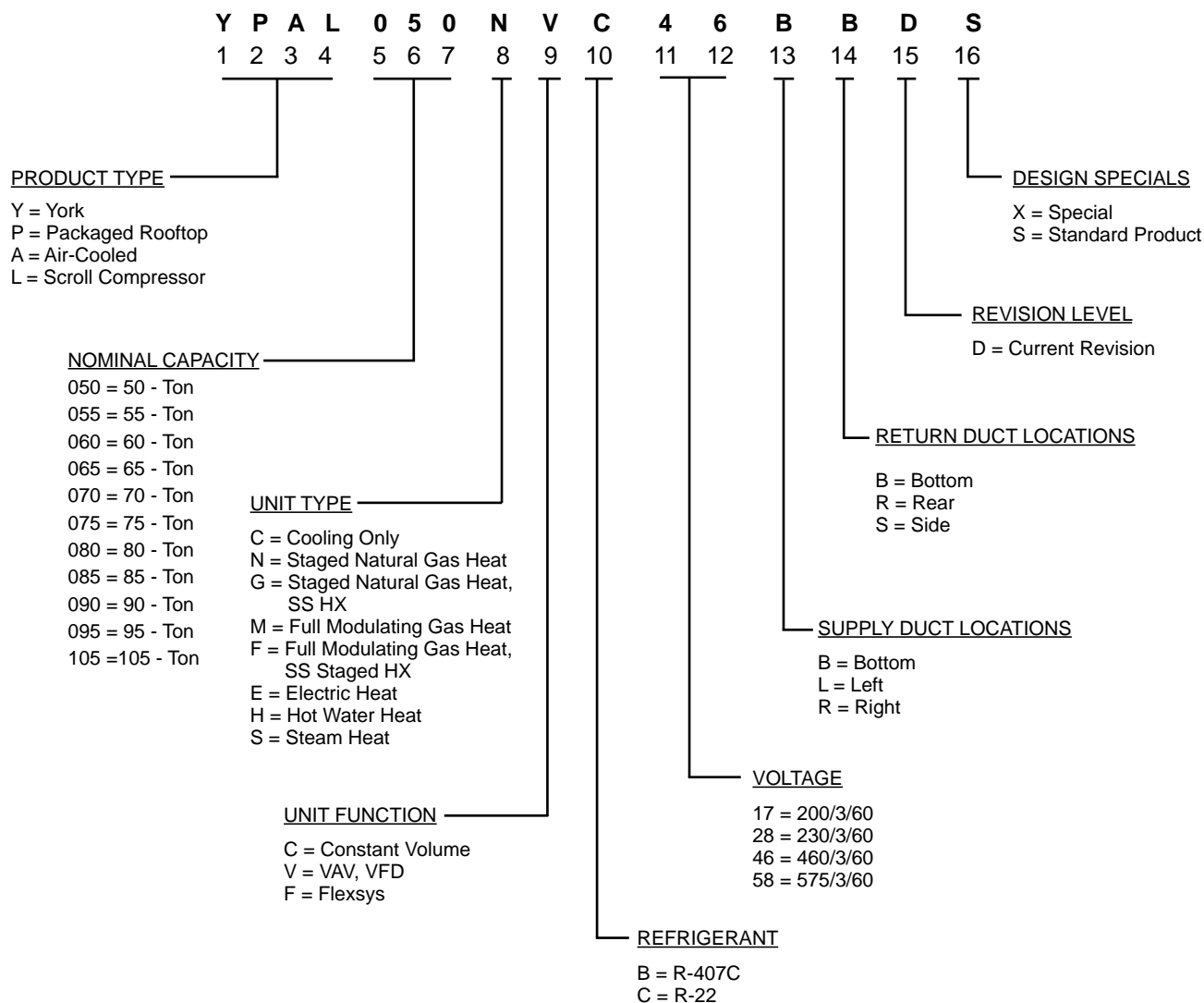


00406



ALLY

BASIC MODEL NUMBER



WARNING
HIGH VOLTAGE
is used in the operation of this equipment.
DEATH or SERIOUS INJURY
may result if personnel fail to observe safety precautions.

Work on electronic equipment should **NOT** be undertaken unless the individual(s) has (have) been trained in the proper maintenance of the equipment and is (are) familiar with its potential hazards.

Shut off the power supply to the equipment before beginning work and follow lockout procedures. When working inside equipment with the power "OFF", take care of discharge every capacitor is likely to hold dangerous potential.

Be careful not to contact high voltage connections when installing or operating this equipment.

LOW VOLTAGE

DO NOT be misled by the term "low voltage". Voltages as low as 50 volts may cause death.

LIST OF TABLES

TABLE 1 - DOOR ASSEMBLIES.....	6
TABLE 2 - DOOR LATCH AND HINGE ASSEMBLIES.....	10
TABLE 3 - EXTERIOR UPRIGHT ASSEMBLIES.....	11
TABLE 4 - PANEL ASSEMBLIES	15
TABLE 5 - HOOD ASSEMBLIES AND FILTERS	15
TABLE 6 - CHIMNEY ASSEMBLIES.....	19
TABLE 7 - EXHAUST DAMPERS AND ACTUATORS.....	20
TABLE 8 - EXHAUST FANS	21
TABLE 9 - EXHAUST FAN MOTORS, ODP, 3-PHASE, 60 HERTZ.....	21
TABLE 10 - EXHAUST FAN MOTORS, TEFC, 3-PHASE, 60 HERTZ	22
TABLE 11 - EXHAUST FAN MOTORS, ODP AND TEFC, 3-PHASE, 50 HERTZ	23
TABLE 12 - EXHAUST FAN ONE-INCH SPRING ISOLATORS.....	23
TABLE 13 - EXHAUST FAN MOTORS TWO-INCH SPRING ISOLATORS.....	24
TABLE 14 - EXHAUST FAN MOTORS ONE-HALF-INCH NEOPRENE ISOLATORS	24
TABLE 15 - ISOLATOR PART NUMBER IDENTIFICATION BY COLOR.....	25
TABLE 16 - EXHAUST FAN DRIVES 15 -15 (50 - 65 TON)	26
TABLE 17 - EXHAUST FAN DRIVES 18 - 18 (50 - 105 TON)	27
TABLE 18 - EXHAUST FAN DRIVES 20-18 (70 - 105 TON)	30
TABLE 19 - EXHAUST FAN REPLACEMENT PARTS.....	34
TABLE 20 - RETURN FANS.....	35
TABLE 21 - RETURN FAN MOTORS, ODP, 3-PHASE, 60 HERTZ.....	35
TABLE 22 - RETURN FAN MOTORS, TEFC, 3-PHASE, 60 HERTZ.....	36
TABLE 23 - RETURN FAN MOTORS, ODP AND TEFC, 3-PHASE, 50 HERTZ	36
TABLE 24 - RETURN FAN ONE-INCH SPRING ISOLATORS	37
TABLE 25 - RETURN FAN TWO-INCH SPRING ISOLATORS.....	37
TABLE 26 - ISOATOR PART NUMBER IDENTIFICATION BY COLOR.....	37
TABLE 27 - RETURN FAN DRIVES (50 - 65 TON).....	39
TABLE 28 - RETURN FAN REPLACEMENT PARTS	42
TABLE 29 - RETURN FAN DRIVES (70 - 80 TON).....	43
TABLE 30 - RETURN FAN DRIVES (90 - 105 TON).....	46
TABLE 31 - ECONOMIZER DAMPERS AND ACTUATORS	51
TABLE 32 - AIR MEASUREMENT STATIONS.....	55
TABLE 33 - UNIT FILTERS, ANGLE	55
TABLE 34 - UNIT FILTERS, RIGID	57
TABLE 35 - EVAPORATOR COILS (R407C AND R22).....	61
TABLE 36 - SUPPLY FAN MOTOR MOUNTING BASE	63
TABLE 37 - SUPPLY FANS	63
TABLE 38 - SUPPLY FAN MOTORS, ODP, 3-PHASE, 60 HERTZ.....	64
TABLE 39 - SUPPLY FAN MOTORS, TEFC, 3-PHASE, 60 HERTZ.....	65
TABLE 40 - SUPPLY FAN MOTORS, ODP AND TEFC, 3-PHASE, 50 HERTZ	66

LIST OF TABLES (CON'T)

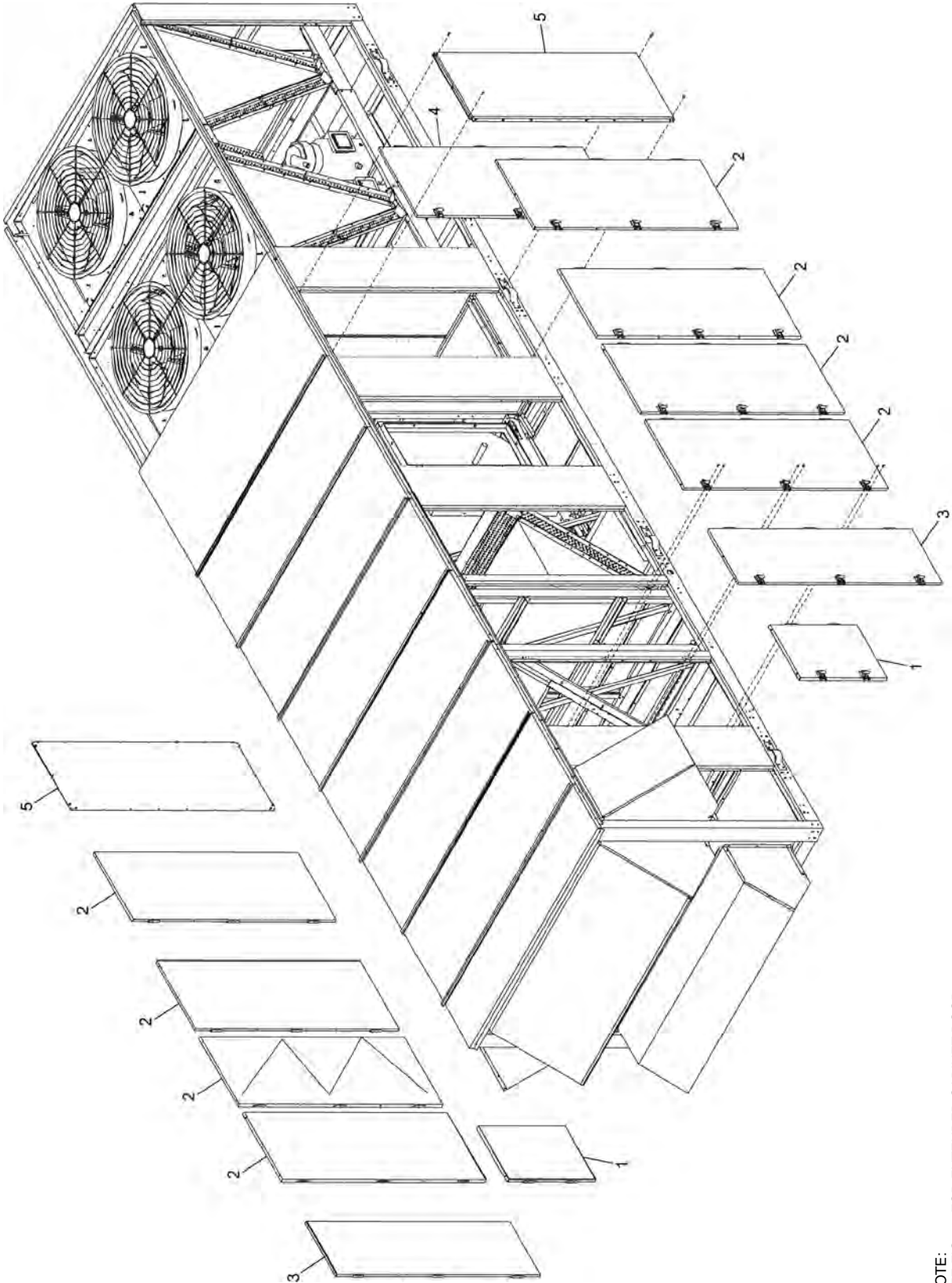
TABLE 41 - SUPPLY FAN (FORWARD-CURVED) ONE-INCH ISOLATORS.....	66
TABLE 42 - SUPPLY FAN (FORWARD-CURVED) TWO-INCH ISOLATORS	67
TABLE 43 - SUPPLY FAN (AIR-FOIL) ONE-INCH ISOLATORS	67
TABLE 44 - SUPPLY FAN (AIR-FOIL) TWO-INCH ISOLATORS	68
TABLE 45 - ISOLATOR PART NUMBER IDENTIFICATION BY COLOR.....	68
TABLE 46 - SUPPLY FAN REPLACEMENT PARTS	71
TABLE 47 - SUPPLY FAN DRIVES FORWARD CURVE 25-22 (50 - 65 TON).....	74
TABLE 48 - SUPPLY FAN DRIVES FORWARD CURVE 28-25 (70 - 80 TON).....	78
TABLE 49 - SUPPLY FAN DRIVES FORWARD CURVE 28-28 (90 - 105 TON).....	82
TABLE 50 - SUPPLY FAN DRIVES AIRFOIL 25-25 CLASS 1 (50 - 65 TON)	86
TABLE 51 - SUPPLY FAN DRIVES AIR FOIL CLASS 1 (70 - 105 TON)	87
TABLE 52 - SUPPLY FAN DRIVES AIRFOIL 25-25 CLASS 2 (50 - 65 TON)	90
TABLE 53 - SUPPLY FAN DRIVES AIR FOIL CLASS 1 (70 - 105 TON)	95
TABLE 54 - SUPPLY FAN DRIVES AIR FOIL CLASS 2 (70 - 105 TON)	96
TABLE 55 - SUPPLY FAN VARIABLE FREQUENCY DRIVES	99
TABLE 56 - SUPPLY FAN VFD BYPASS PANELS	99
TABLE 57 - EXHAUST FAN MOTOR VARIABLE FREQUENCY DRIVES.....	101
TABLE 58 - RETURN FAN MOTOR VARIABLE FREQUENCY DRIVES	101
TABLE 59 - EXHAUST FAN MOTOR VFD BYPASS PANELS.....	101
TABLE 60 - VFD BYPASS PANEL REPLACEMENT PARTS.....	103
TABLE 61 - FLEXSYS BYPASS DAMPERS AND ACTUATORS.....	109
TABLE 62 - STAGED GAS HEAT	110
TABLE 63 - MODULATING GAS HEAT	114
TABLE 64 - HOT WATER HEAT COILS (STANDARD CABINET)	116
TABLE 65 - STEAM HEAT COILS (STANDARD CABINET)	116
TABLE 66 - HOT WATER HEAT PIPING PARTS (STANDARD CABINET)	118
TABLE 67 - ELECTRIC HEATER COILS	123
TABLE 68 - DOOR AND SIDE PANEL ASSEMBLIES (EXTENDED CABINET).....	125
TABLE 69 - EXTERIOR UPRIGHT ASSEMBLIES (EXTENDED CABINET).....	129
TABLE 70 - FILTERS, RIGID (EXTENDED CABINET).....	133
TABLE 71 - HOT WATER HEAT COILS (EXTENDED CABINET).....	137
TABLE 72 - STEAM HEAT COILS (EXTENDED CABINET)	137
TABLE 73 - HOT WATER HEAT PIPING PARTS (EXTENDED CABINET).....	138
TABLE 74 - CONDENSER COIL LANCED PANELS.....	143
TABLE 75 - CONDENSER COIL WIRE GUARDS	143
TABLE 76 - CONDENSER FAN ASSEMBLY	146
TABLE 77 - CONDENSER FAN MOTOR VARIABLE FREQUENCY DRIVES	147
TABLE 78 - CONDENSER COILS (R407C).....	148
TABLE 79 - CONDENSER COILS (R22).....	148
TABLE 80 - CONDENSER DISCHARGE HEADERS (R407)	148

LIST OF TABLES (CON'T)

TABLE 81 - CONDENSER LIQUID HEADERS (R407)	148
TABLE 82 - CONDENSER DISCHARGE HEADERS (R22)	149
TABLE 83 - CONDENSER LIQUID HEADERS (R22)	149
TABLE 84 - REFRIGERANT PIPING PARTS (R407C AND R22)	151
TABLE 85 - COMPRESSORS, SCROLL (R407C)	152
TABLE 86 - COMPRESSORS, SCROLL (R22)	153
TABLE 87 - THERMAL EXPANSION VALVES AND DISTRIBUTORS	160
TABLE 88 - COMPRESSOR CRANKCASE HEATERS	161
TABLE 89 - COMPRESSOR SOUND BLANKETS	161
TABLE 90 - TRANSDUCERS, SWITCHES, AND SENSORS	162
TABLE 91 - RETURN FAN MOTOR OVERLOAD RELAY	163
TABLE 92 - MISCELLANEOUS	171

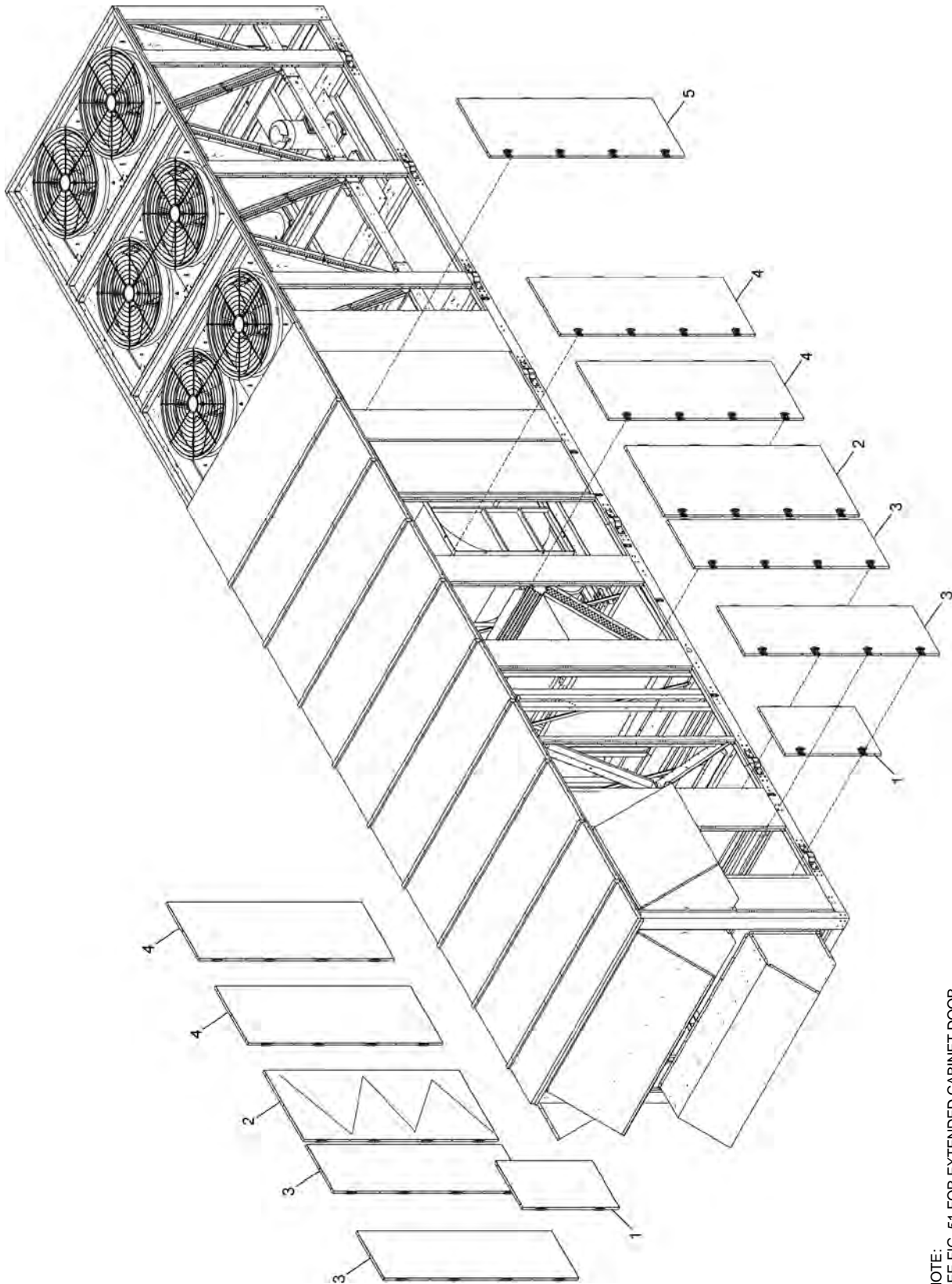
TABLE 1 - DOOR ASSEMBLIES

FIG	ITEM	UNIT SIZE	DESCRIPTION	PART NUMBER
1	1	50-65	HALF DOOR ASSEMBLY	385-00429-100
1	2		DOOR ASSEMBLY, 28.25" X 73.87"	385-00429-101
1	3		DOOR ASSEMBLY, 22.25" X 73.87"	385-00429-102
1	4		DOOR ASSEMBLY, GAS HEAT OPTION, 28.25" X 73.87"	385-00429-200
2	1	70-85	HALF DOOR ASSEMBLY	385-00429-103
2	2		DOOR ASSEMBLY, 34.32" X 83.87"	385-00429-104
2	3		DOOR ASSEMBLY, 23.25" X 83.87"	385-00429-105
2	4		DOOR ASSEMBLY, 28.25" X 83.87"	385-00429-103
2	5		DOOR ASSEMBLY, GAS HEAT OPTION, 28.25" X 83.87"	385-00429-107
3	1	90-105	HALF DOOR ASSEMBLY	385-00429-106
3	2		DOOR ASSEMBLY, 28.25" X 83.87"	385-00429-107
3	3		DOOR ASSEMBLY, GAS HEAT OPTION, 28.25" X 83.87"	385-00429-203
NOT SHOWN		50-105	PAINT, TOUCH-UP, CHAMPAGNE	013-03355-000
NOT SHOWN			CAULK, CHAMPAGNE	013-03317-040
NOT SHOWN		50-105	HORIZONTAL DOOR GASKET	028-15317-005
NOT SHOWN		50-105	DOOR GASKET	028-11795-000



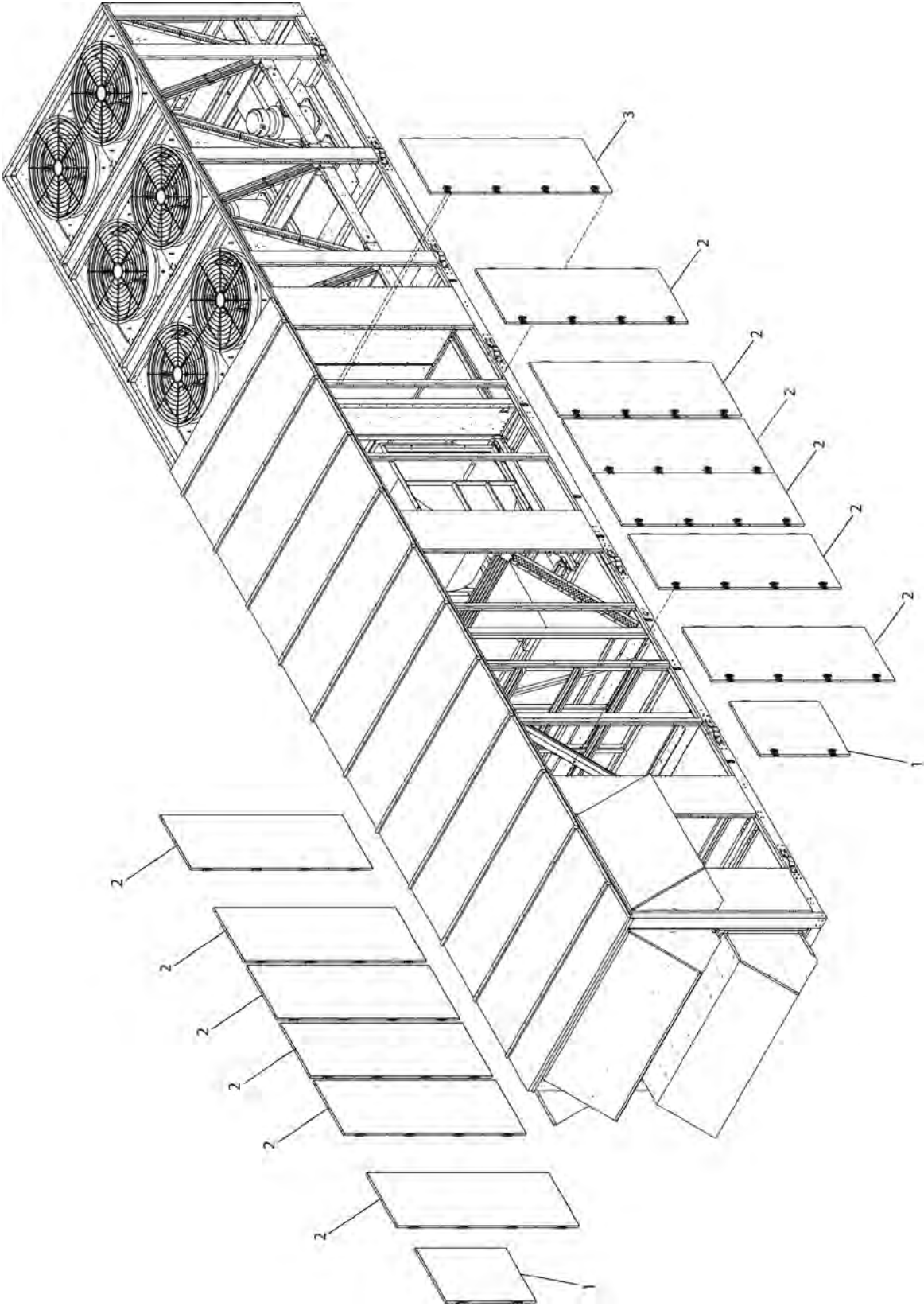
NOTE:
SEE FIG. 50 FOR EXTENDED CABINET DOOR
AND SIDE PANEL ASSEMBLIES (50-65 TON).

FIG. 1 - DOOR ASSEMBLIES AND SIDE PANEL ASSEMBLIES (50-65 TON)



NOTE:
SEE FIG. 51 FOR EXTENDED CABINET DOOR
AND SIDE PANEL ASSEMBLIES (70-85 TON).

FIG. 2 - DOOR ASSEMBLIES AND SIDE PANEL ASSEMBLIES (70-85 TON)



NOTE:
SEE FIG. 52 FOR EXTENDED CABINET DOOR
AND SIDE PANEL ASSEMBLIES (90-105 TON).

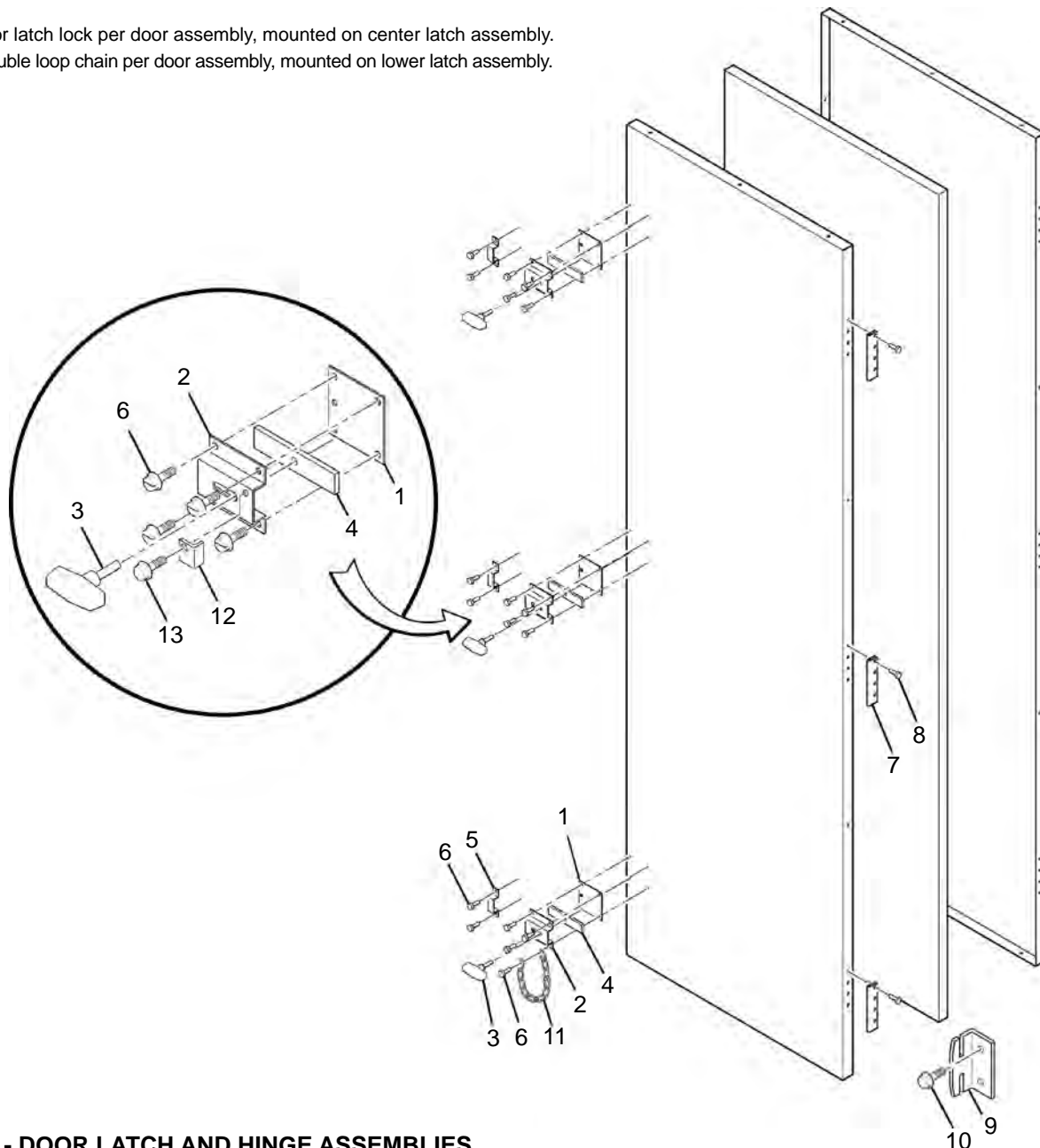
FIG. 3 - DOOR ASSEMBLIES AND SIDE PANEL ASSEMBLIES (90-95 TON)

TABLE 2 - DOOR LATCH AND HINGE ASSEMBLIES

FIG	ITEM	DESCRIPTION	PART NUMBER
4	1	LATCH, DOOR, BACK PLATE	029-22030-000
4	2	LATCH, DOOR, TONGUE GUIDE	029-22029-000
4	3	KNOB, DOOR, TEE, .25_20	029-22027-000
4	4	LATCH, DOOR, TONGUE	029-22032-000
4	5	LATCH, DOOR, CATCH	029-22028-000
4	6	SCREW, HH, COAT, #10_.5	021-19520-000
4	7	HINGE, DOOR, 1.5W_4L_ .063 THK	029-22026-000
4	8	SCREW, PHIL, PH, COAT, #10-16_.5	021-13769-000
4	9	DOOR TIE BACK	085-20000-010
4	10	SCREW, HH COAT, .25-20_.75	021-31337-000
4	11	CHAIN, DOUBLE LOOP, #5 **	012-06262-010
4	12	ANG DOOR LATCH LOCK *	085-20000-011
4	13	SCREW, TEK, PLTD, 10-24_.5 *	021-13863-000

Notes:

- * 1 door latch lock per door assembly, mounted on center latch assembly.
- ** 1 double loop chain per door assembly, mounted on lower latch assembly.

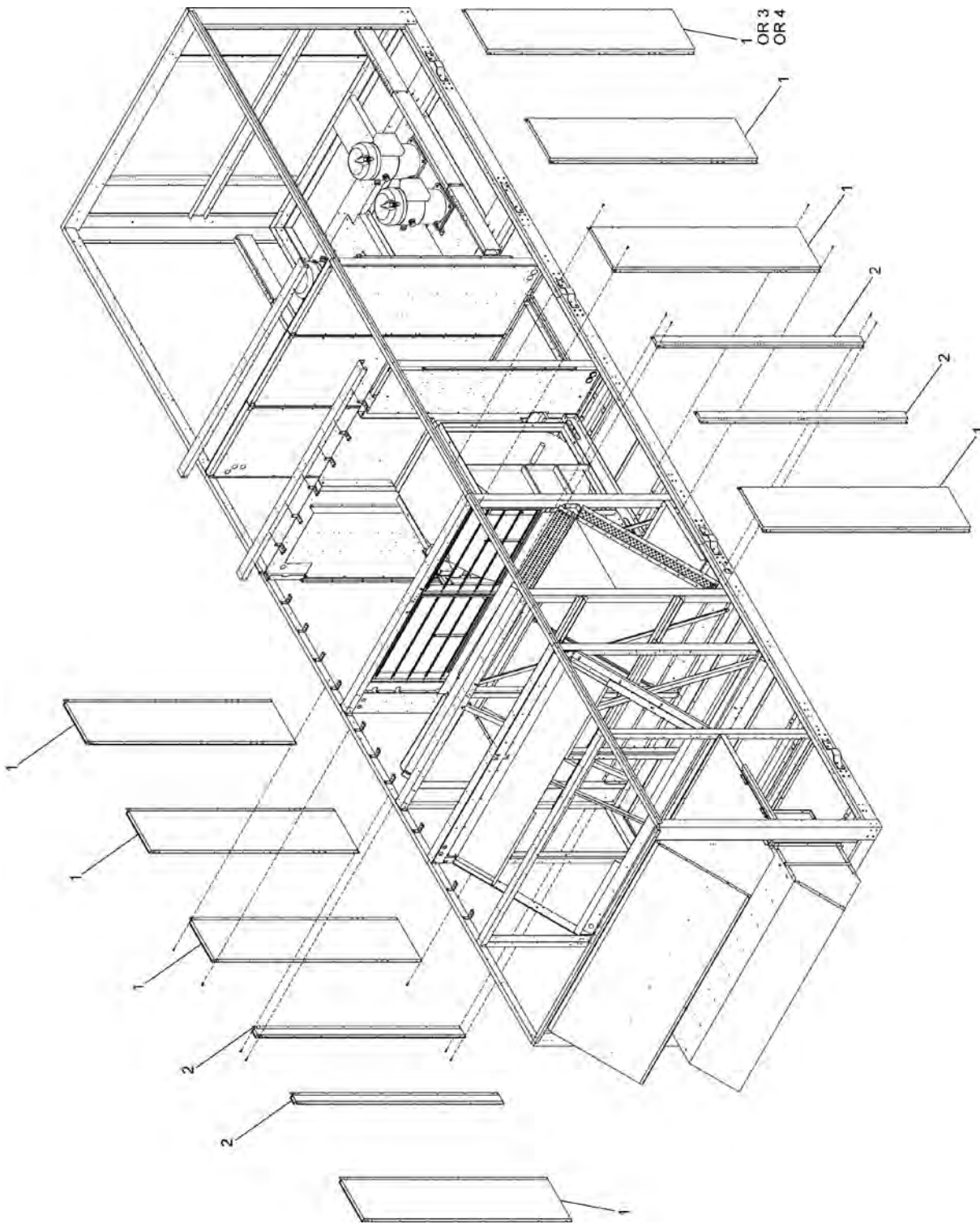


LD11035

FIG. 4 - DOOR LATCH AND HINGE ASSEMBLIES

TABLE 3 - EXTERIOR UPRIGHT ASSEMBLIES

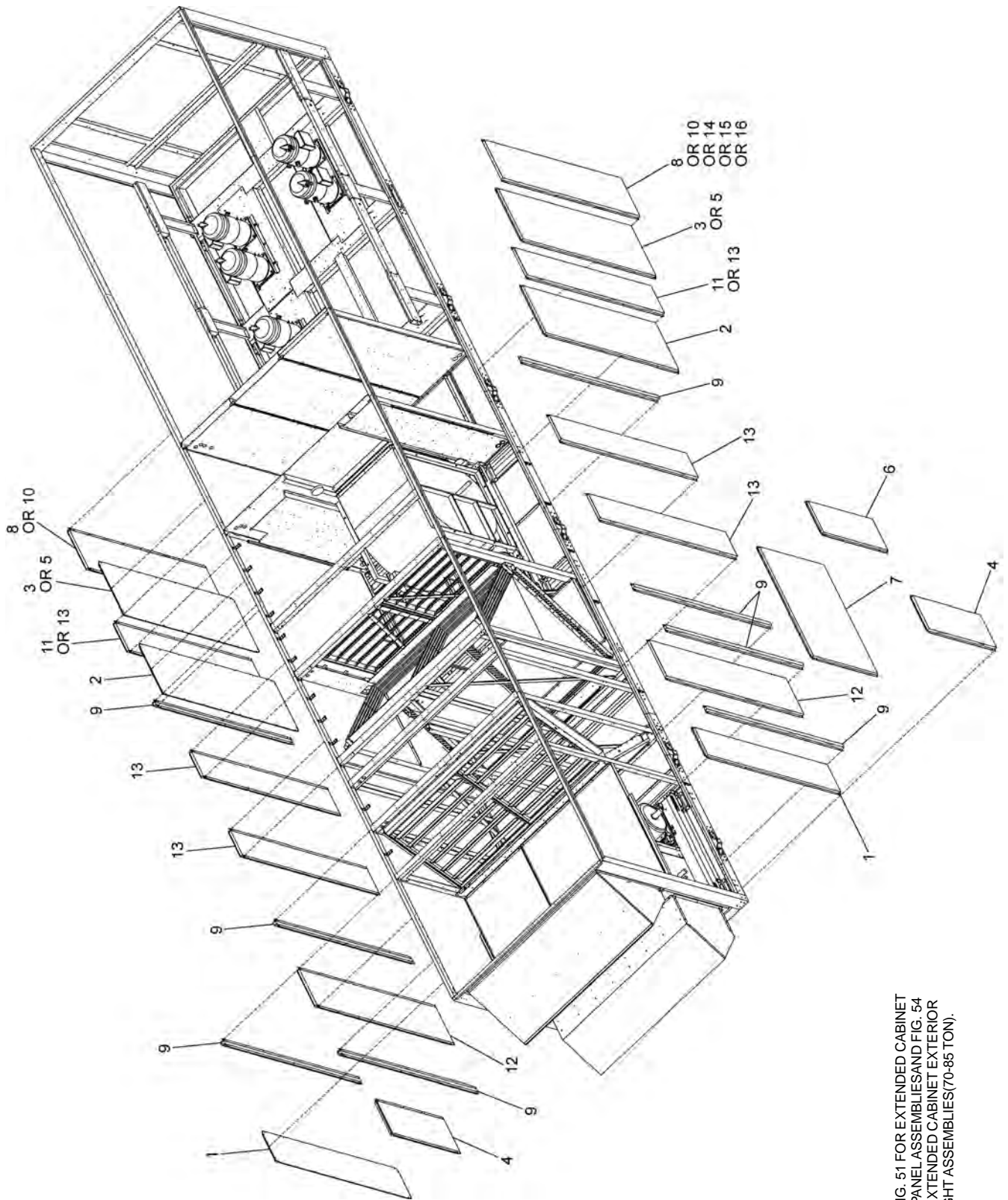
FIG	ITEM	UNIT SIZE	DESCRIPTION	PART NUMBER
5	1	50-65	UPRIGHT ASSEMBLY, 18.75" X 75.42"	385-00434-102
5	2		UPRIGHT ASSEMBLY, 4.75" X 75.42"	385-00434-103
5	3		UPRIGHT ASSEMBLY, GAS HEAT, SINGLE FLUE, 18.75" X 75.42"	385-00434-200
5	4		UPRIGHT ASSEMBLY, GAS HEAT, DOUBLE FLUE, 18.75" X 75.42"	385-00434-201
6	8	70-85	UPRIGHT ASSEMBLY, 22.36" X 85.42"	385-00434-301
6	9		UPRIGHT ASSEMBLY, 3.75" X 85.42"	385-00434-302
6	10		UPRIGHT ASSEMBLY, 13" X 85.42"	385-00434-305
6	11		UPRIGHT ASSEMBLY, 16.64" X 85.42"	385-00434-306
6	12		UPRIGHT ASSEMBLY, 21.25" X 85.42"	385-00434-307
6	13		UPRIGHT ASSEMBLY, 15" X 85.42"	385-00434-308
6	14		UPRIGHT ASSEMBLY, GAS HEAT, SINGLE FLUE, 22.36" X 85.42"	385-00434-400
6	15		UPRIGHT ASSEMBLY, GAS HEAT, DOUBLE FLUE, 22.36" X 85.42"	385-00434-401
6	16		UPRIGHT ASSEMBLY, GAS HEAT, TRIPLE FLUE, 22.36" X 85.42"	385-00434-402
7	8	90-105	UPRIGHT ASSEMBLY, 24.53" X 85.42"	385-00434-300
7	9		UPRIGHT ASSEMBLY, 22.36" X 85.42"	385-00434-301
7	10		UPRIGHT ASSEMBLY, 3.75" X 85.42"	385-00434-302
7	11		UPRIGHT ASSEMBLY, FILTER SECTION, 3.75" X 85.42"	385-00434-303
7	12		UPRIGHT ASSEMBLY, 8.25" X 85.42"	385-00434-304
7	13		UPRIGHT ASSEMBLY, 13" X 85.42"	385-00434-305
7	14		UPRIGHT ASSEMBLY, GAS HEAT, SINGLE FLUE, 22.36" X 85.42"	385-00434-400
7	15		UPRIGHT ASSEMBLY, GAS HEAT, DOUBLE FLUE, 22.36" X 85.42"	385-00434-401
7	16		UPRIGHT ASSEMBLY, GAS HEAT, TRIPLE FLUE, 22.36" X 85.42"	385-00434-402



NOTE:
SEE FIG. 53 FOR EXTENDED CABINET
EXTERIOR UPRIGHT ASSEMBLIES (50-65 TON).

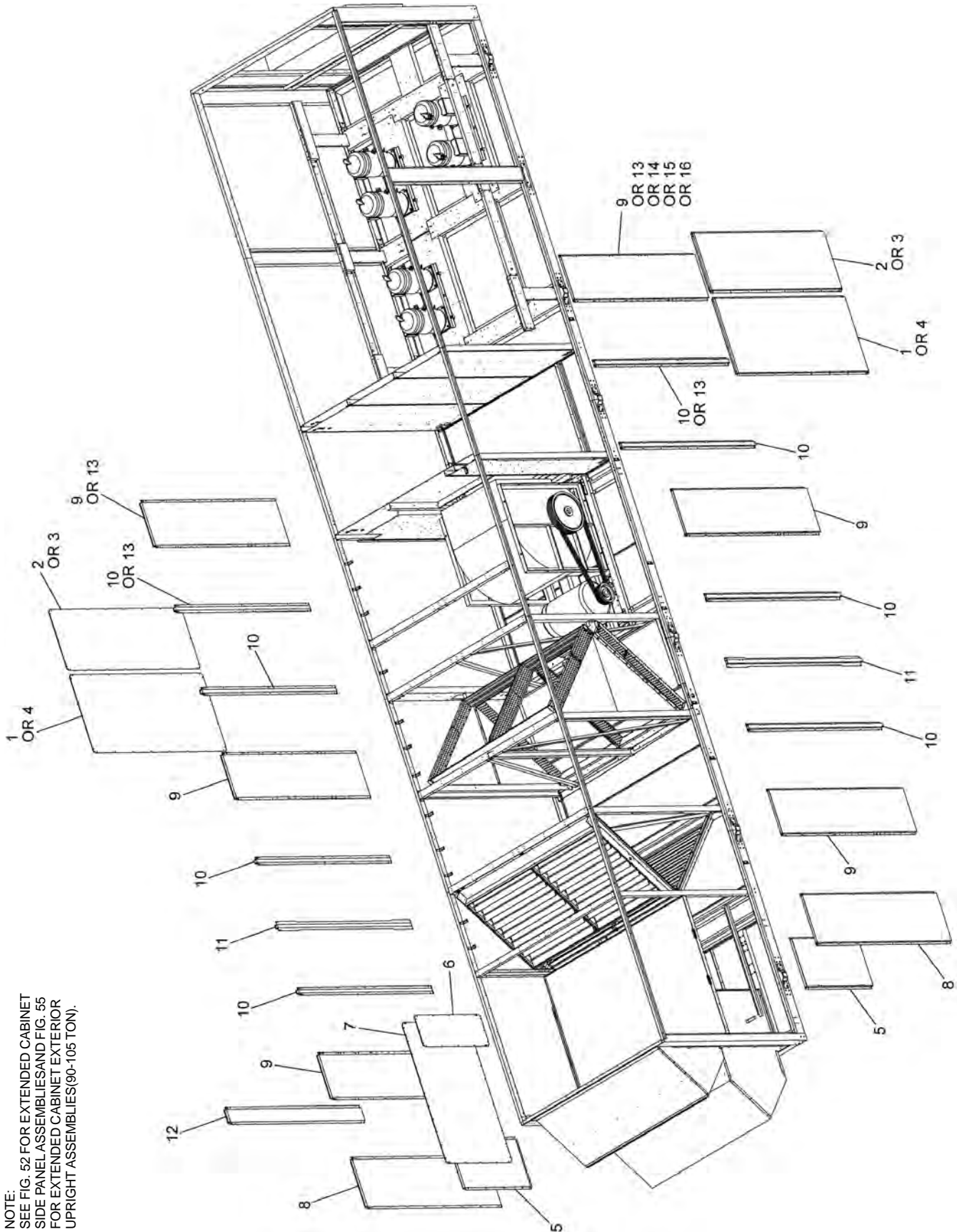
LD11781

FIG. 5 - EXTERIOR UPRIGHT ASSEMBLIES (50-65 TON)



NOTE:
SEE FIG. 51 FOR EXTENDED CABINET
SIDE PANEL ASSEMBLIES AND FIG. 54
FOR EXTENDED CABINET EXTERIOR
UPRIGHT ASSEMBLIES (70-85 TON).

FIG. 6 - EXTERIOR UPRIGHT ASSEMBLIES (70-85 TON)



NOTE:
SEE FIG. 52 FOR EXTENDED CABINET
SIDE PANEL ASSEMBLIES AND FIG. 55
FOR EXTENDED CABINET EXTERIOR
UPRIGHT ASSEMBLIES (90-105 TON).

FIG. 7 - EXTERIOR UPRIGHT ASSEMBLIES (90-95 TON)

LD11783

TABLE 4 - PANEL ASSEMBLIES

FIG	ITEM	UNIT SIZE	DESCRIPTION	PART NUMBER
8	1	50-65	TOP END PANEL ASSEMBLY	385-00431-100
8	2		BOTTOM END PANEL ASSEMBLY	385-00431-101
8	3		RETURN FAN PANEL ASSEMBLY WITH OPENING	385-00432-110
8	4		RETURN FAN PANEL ASSEMBLY WITHOUT OPENING	385-00432-111
1	5		SIDE PANEL ASSEMBLY, 27" X 74.75"	385-00431-102
9	1	70-85	TOP END PANEL ASSEMBLY	385-00431-100
6	1		SIDE PANEL ASSEMBLY, 14.75" X 84.75"	385-00431-103
6	2		SIDE PANEL ASSEMBLY, 25.365" X 84.75"	385-00431-104
6	3		SIDE PANEL ASSEMBLY, 38" X 84.75"	385-00431-105
6	4		HALF PANEL ASSEMBLY	385-00431-106
9	2		BOTTOM END PANEL ASSEMBLY	385-00431-109
6	5		SIDE PANEL ASSEMBLY, 27" X 84.75"	385-00431-110
6	6		SIDE PANEL ASSEMBLY, RETURN WITH OUTSIDE AIR	385-00431-115
6	7		SIDE PANEL ASSEMBLY, RETURN WITHOUT OUTSIDE AIR	385-00431-116
10	1	90-105	TOP END PANEL ASSEMBLY	385-00431-100
7	1		SIDE PANEL ASSEMBLY, 21.375" X 84.75"	385-00431-107
7	2		SIDE PANEL ASSEMBLY, 41" X 84.75"	385-00431-108
10	2		BOTTOM END PANEL ASSEMBLY	385-00431-109
7	3		SIDE PANEL ASSEMBLY, 27" X 84.75"	385-00431-110
7	4		SIDE PANEL ASSEMBLY, 35.216" X 84.75"	385-00431-111
7	5		HALF PANEL ASSEMBLY	385-00431-112
7	6		SIDE PANEL ASSEMBLY, RETURN WITH OUTSIDE AIR	385-00431-113
7	7		SIDE PANEL ASSEMBLY, RETURN WITHOUT OUTSIDE AIR	385-00431-114

TABLE 5 - HOOD ASSEMBLIES AND FILTERS

FIG	ITEM	UNIT SIZE	DESCRIPTION	PART NUMBER
8	5	50-65	SIDE HOOD ASSEMBLY	385-00435-100
8	6		CLEANABLE FILTER FOR SIDE HOOD ASSEMBLY	026-36381-000
8	7		REAR HOOD ASSEMBLY	385-00436-100
8	8		CLEANABLE FILTER FOR REAR HOOD ASSEMBLY	026-36381-000
8	9		EXHAUST HOOD ASSEMBLY	385-00437-100
8	10		RETURN HOOD ASSEMBLY	385-00437-110
9	3	70-85	SIDE HOOD ASSEMBLY	385-00435-200
9	4		CLEANABLE FILTER FOR SIDE HOOD ASSEMBLY	385-36405-000
9	5		REAR HOOD ASSEMBLY	385-00436-100
9	6		CLEANABLE FILTER FOR REAR HOOD ASSEMBLY	026-36381-000
9	7		RETURN HOOD ASSEMBLY	385-00437-200
10	3	90-105	SIDE HOOD ASSEMBLY	385-00435-300
10	4		CLEANABLE FILTER FOR SIDE HOOD ASSEMBLY	026-36381-00
10	5		REAR HOOD ASSEMBLY	385-00436-100
10	6		CLEANABLE FILTER FOR REAR HOOD ASSEMBLY	026-36381-000
10	7		RETURN HOOD ASSEMBLY	385-00437-300

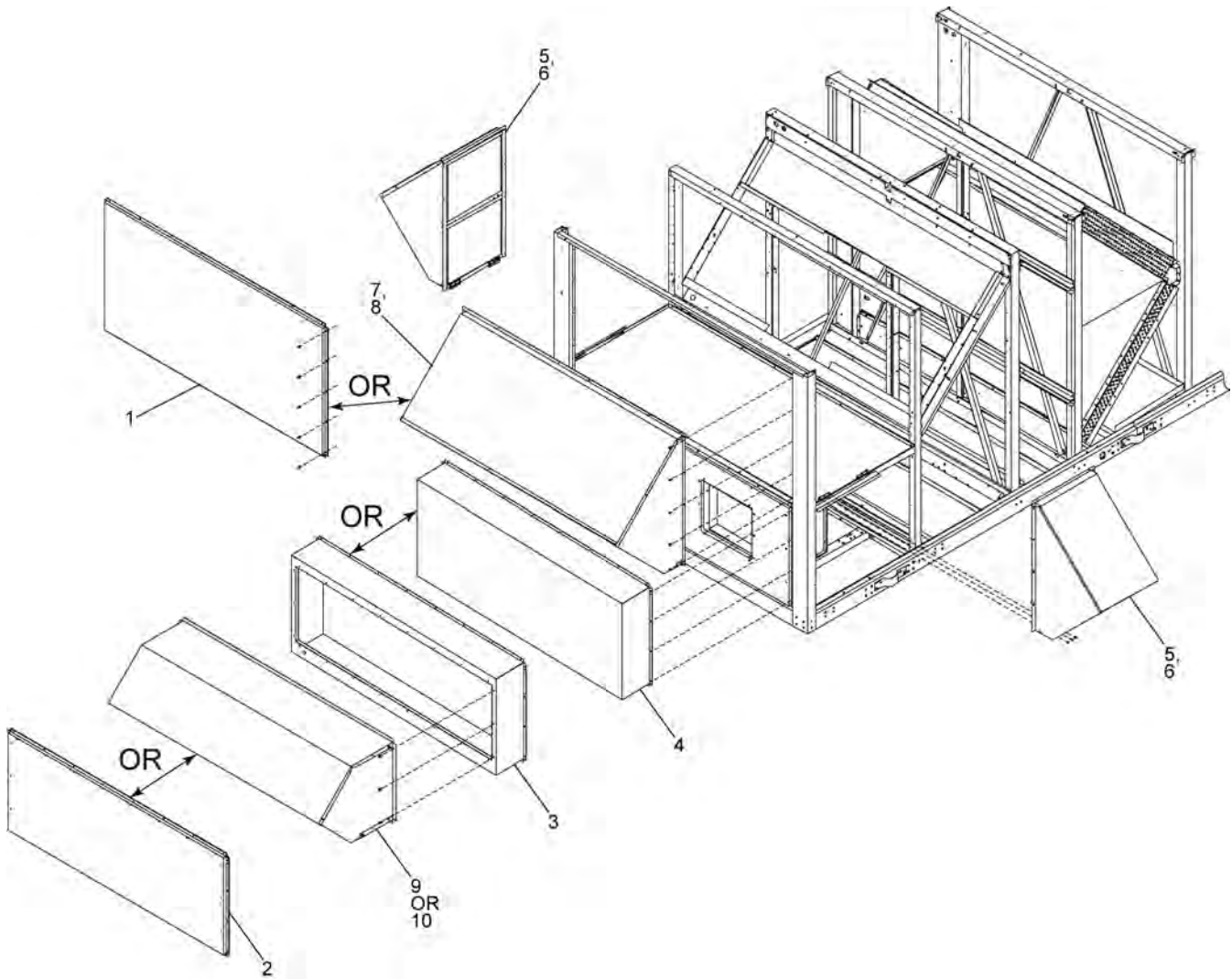


FIG. 8 - SIDE, REAR, AND EXHAUST HOODS AND TOP, BOTTOM, AND RETURN PANELS (50-65 TON)

LD11784

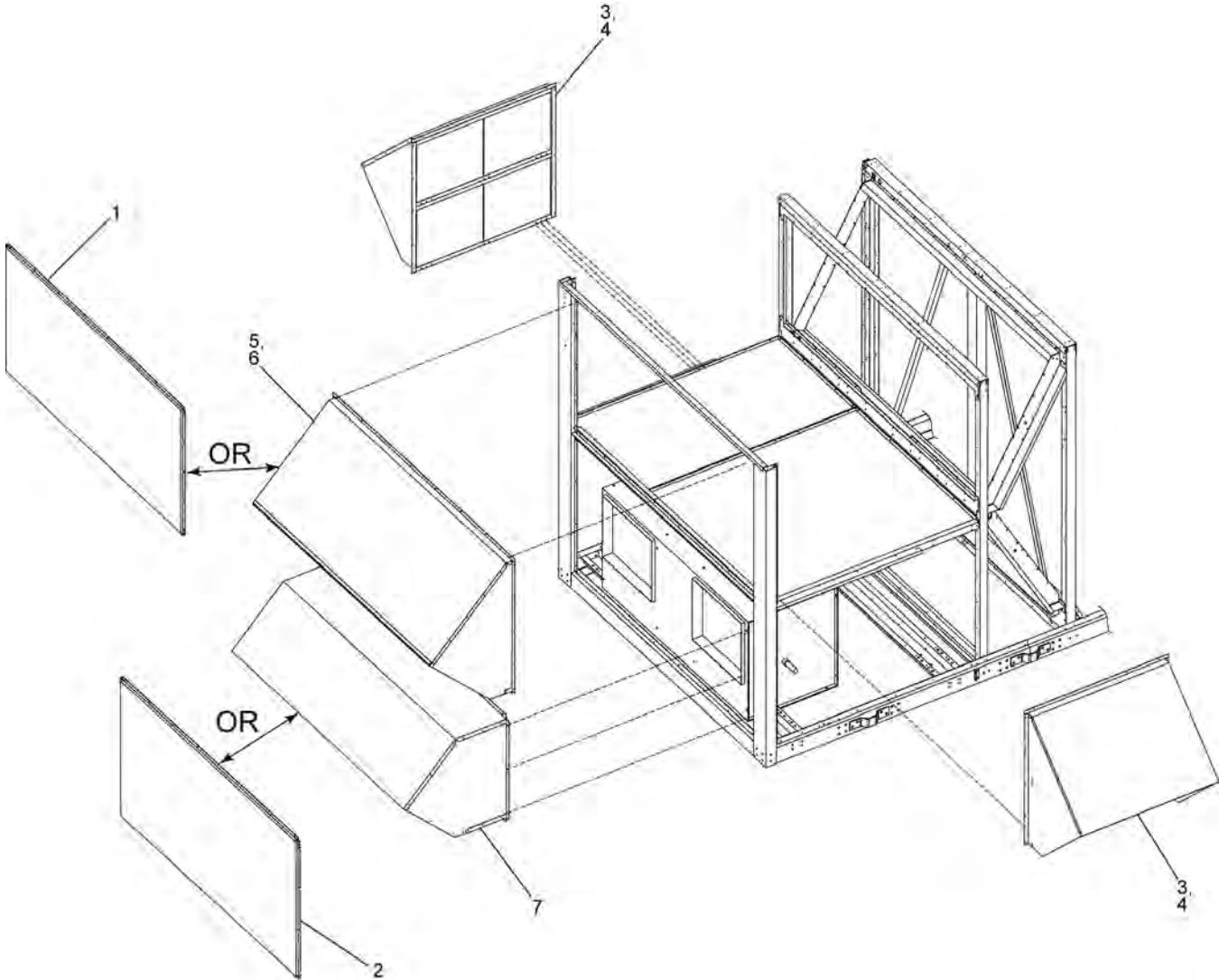
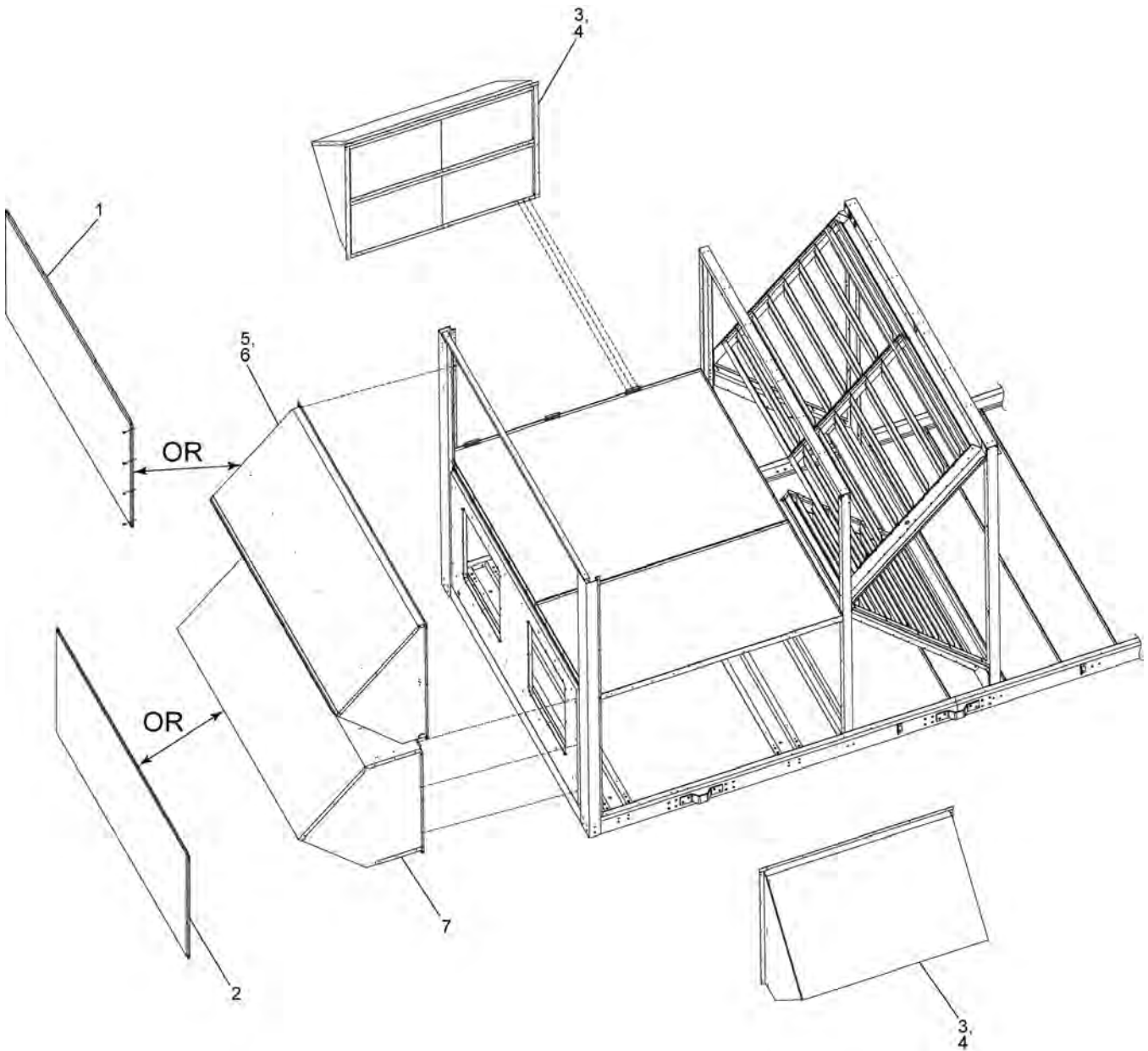


FIG. 9 - SIDE, REAR, AND EXHAUST HOODS AND TOP, BOTTOM, AND RETURN PANELS (70-85 TON)



LD11786

FIG. 10 - SIDE, REAR, AND EXHAUST HOODS AND TOP, BOTTOM, AND RETURN PANELS (90-95 TON)

TABLE 6 - CHIMNEY ASSEMBLIES

FIG	ITEM	UNIT SIZE	DESCRIPTION	PART NUMBER
11	1	50-65	CHIMNEY ASSY, SINGLE	385-00438-202
11	2		CHIMNEY ASSY, DOUBLE	385-00438-203
11	1	70-105	CHIMNEY ASSY, SINGLE	385-00438-213
11	2		CHIMNEY ASSY, DOUBLE	385-00438-214
11	3		CHIMNEY ASSY, TRIPLE	385-00438-215

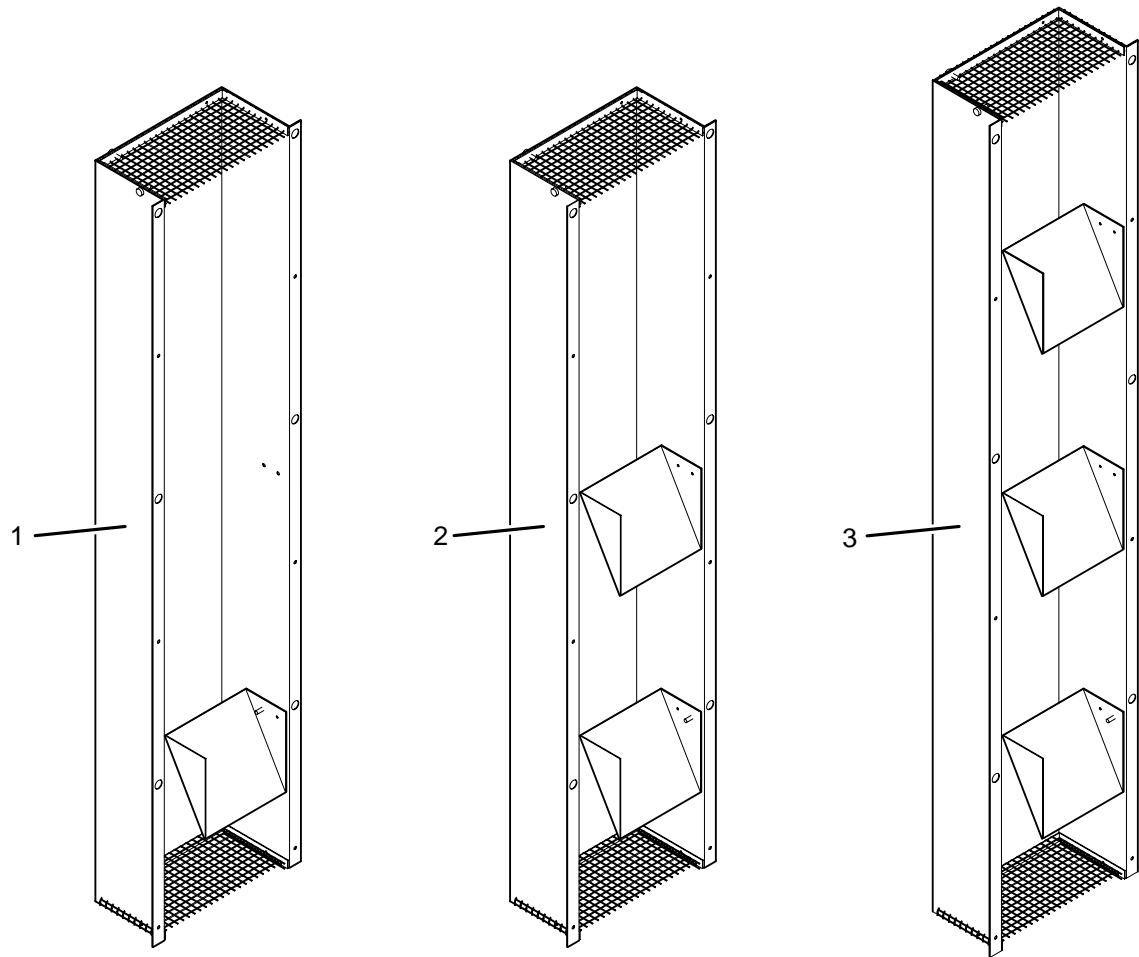


FIG. 11 - CHIMNEY ASSEMBLIES

TABLE 7 - EXHAUST DAMPERS AND ACTUATORS

FIG	ITEM	UNIT SIZE	DESCRIPTION	PART NUMBER
12	1	50-65	BARAMETRIC RELIEF DAMPR, 26.5" X 75.5"	026-40702-000
12	1		CONTROL DAMPER, 26.5" X 75.5"	026-40701-000
12	1	70-85	BARAMETRIC RELIEF DAMPR, 32" X 75.5"	026-40702-001
12	1		CONTROL DAMPER, 32" X 75.5"	026-40701-001
12	1	90-105	BARAMETRIC RELIEF DAMPR, 37.5" X 75.5"	026-40702-002
12	1		CONTROL DAMPER, 37.5" X 75.5"	026-40701-002
12	2	50-105	ACTUATOR, JCI	025-35774-016
12	2		ACTUATOR, BELIMO	025-30958-009
12	3		BRACKET, ACTUATOR MOUTING	285-01432-000

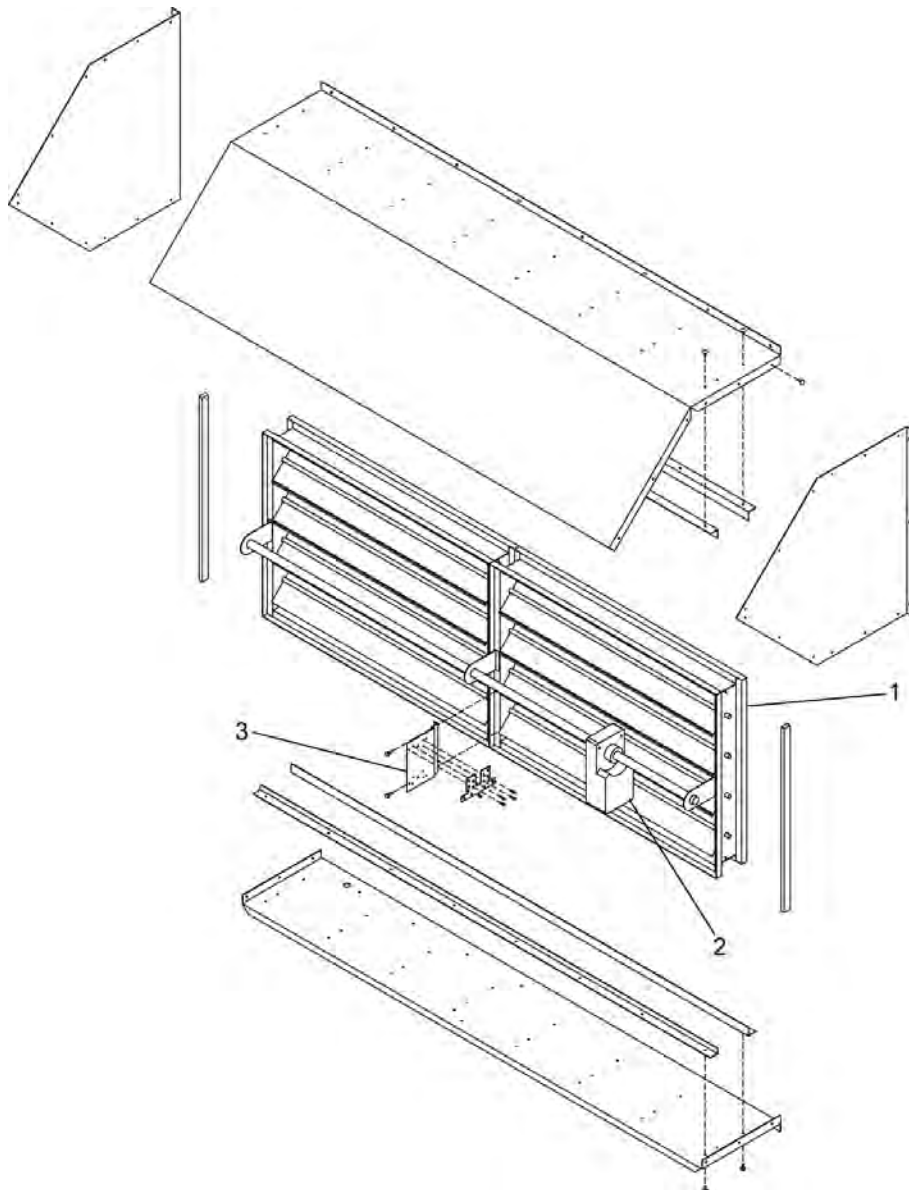


FIG. 12 - EXHAUST DAMPERS AND ACTUATORS

LD11787

TABLE 8 - EXHAUST FANS

FIG	ITEM	UNIT SIZE	RETURN AIR LOCATION	MOTOR HP	SIZE	CLASS	PART NUMBER
13	1	50-65	BOTTOM OR RIGHT	5, 7.5, 10	15-15	1	026-36358-000
13	1		LEFT	5, 7.5, 10	15-15	1	026-36435-000
13	1		BOTTOM OR RIGHT	5, 7.5, 10, 15, 20	18-18	1	026-36359-000
13	1		LEFT	5, 7.5, 10, 15, 20	18-18	1	026-36406-000
13	1	70-105	BOTTOM OR RIGHT	5, 7.5, 10, 15, 20	18-18	1	026-36359-000
13	1		LEFT	5, 7.5, 10, 15, 20	18-18	1	026-36406-000
13	1		BOTTOM OR RIGHT	5, 7.5, 10, 15, 20, 25, 30	20-18	1	026-36438-000
13	1		LEFT	5, 7.5, 10, 15, 20, 25, 30	20-18	1	026-36439-000

TABLE 9 - EXHAUST FAN MOTORS, ODP, 3-PHASE, 60 HERTZ

FIG	ITEM	UNIT SIZE	MOTOR HP	VOLTAGE	STANDARD EFFICIENCY PART NUMBER	HIGH EFFICIENCY PART NUMBER	
13	2	0-105	5	200	024-23936-000	024-27056-000	
13	2			230	024-23929-000	024-27057-000	
13	2			380	024-26234-000	NA	
13	2			460	024-23929-000	024-27057-000	
13	2			575	024-27009-000	024-27371-000	
13	2		7.5	7.5	200	024-23937-000	024-27058-000
13	2				230	024-23930-000	024-27059-000
13	2				380	024-26235-000	NA
13	2				460	024-23930-000	024-27059-000
13	2				575	024-27010-000	024-27372-000
13	2		10	10	200	024-23938-000	024-27060-000
13	2				230	024-23931-000	024-27062-000
13	2				380	024-26236-000	NA
13	2				460	024-23931-000	024-27062-000
13	2				575	024-27011-000	024-27373-000
13	2		15	15	200	024-23939-000	024-27063-000
13	2				230	024-23932-000	024-27064-000
13	2				380	024-26237-000	NA
13	2				460	024-23932-000	024-27064-000
13	2				575	024-27012-000	024-27374-000
13	2	20	20	200	024-23940-000	024-27065-000	
13	2			230	024-23933-000	024-27066-000	
13	2			380	024-26238-000	NA	
13	2			460	024-23933-000	024-27066-000	
13	2			575	024-27013-000	024-27375-000	

TABLE 9 - EXHAUST FAN MOTORS, ODP, 3-PHASE, 60 HERTZ (CONT'D)

13	2	70-105	25	200	024-23941-000	024-27067-000
13	2			230	024-23934-000	024-27068-000
13	2			380	024-26239-000	NA
13	2			460	024-23934-000	024-27068-000
13	2			575	024-27014-000	024-27376-000
13	2		30	200	024-26265-000	024-27069-000
13	2			230	024-23191-000	024-27070-000
13	2			380	024-26240-000	NA
13	2			460	024-23191-000	024-27070-000
13	2			575	024-27015-000	024-27377-000

TABLE 10 - EXHAUST FAN MOTORS, TEFC, 3-PHASE, 60 HERTZ

FIG	ITEM	UNIT SIZE	MOTOR HP	VOLTAGE	STANDARD EFFICIENCY PART NUMBER	HIGH EFFICIENCY PART NUMBER
13	2	50-105	5	200	024-23922-000	024-27083-000
13	2			230	024-23915-000	024-27084-000
13	2			380	024-26249-000	NA
13	2			460	024-23915-000	024-27084-000
13	2			575	024-27041-000	024-27343-000
13	2		7.5	200	024-23923-000	024-27085-000
13	2			230	024-23916-000	024-27086-000
13	2			380	024-26250-000	NA
13	2			460	024-23916-000	024-27086-000
13	2			575	024-27042-000	024-27345-000
13	2		10	200	024-23924-000	024-27087-000
13	2			230	024-23917-000	024-27088-000
13	2			380	024-26251-000	NA
13	2			460	024-23917-000	024-27088-000
13	2			575	024-27043-000	024-27347-000
13	2		15	200	024-23925-000	024-27089-000
13	2			230	024-23918-000	024-27090-000
13	2			380	024-26252-000	NA
13	2			460	024-23918-000	024-27090-000
13	2			575	024-27314-000	024-27349-000
13	2		20	200	024-27336-000	024-27097-000
13	2			230	024-23919-000	024-27098-000
13	2			380	024-26253-000	NA
13	2			460	024-23919-000	024-27098-000
13	2	575		024-27029-000	024-27351-000	

TABLE 10 - EXHAUST FAN MOTORS, TEFC, 3-PHASE, 60 HERTZ (CONT'D)

13	2	70-105	25	200	024-27338-000	024-27099-000
13	2			230	024-23920-000	024-27300-000
13	2			380	024-26254-000	NA
13	2			460	024-23920-000	024-27300-000
13	2			575	024-27030-000	024-27353-000
13	2		30	200	024-26271-000	024-30744-000
13	2			230	024-26282-000	024-27301-000
13	2			380	024-26255-000	NA
13	2			460	024-26282-000	024-27301-000
13	2			575	024-27031-000	024-27355-000

TABLE 11 - EXHAUST FAN MOTORS, ODP AND TEFC, 3-PHASE, 50 HERTZ

FIG	ITEM	UNIT SIZE	MOTOR HP	VOLTAGE	ODP STANDARD EFFICIENCY PART NUMBER	TEFC STANDARD EFFICIENCY PART NUMBER
13	2	50-105	5	400	024-27323-000	024-27331-000
13	2		7.5	400	024-27324-000	024-27332-000
13	2		10	400	024-27325-000	024-27334-000
13	2		15	400	024-27326-000	024-27335-000
13	2		20	400	024-27327-000	024-27337-000
13	2	70-105	25	400	024-27379-000	024-27339-000
13	2		30	400	024-27381-000	024-27340-000

TABLE 12 - EXHAUST FAN ONE-INCH SPRING ISOLATORS

FIG	UNIT SIZE	FAN SIZE	MOTOR HP	BLOWER DRIVE	OPPOSITE BLOWER DRIVE	MOTOR DRIVE	OPPOSITE MOTOR DRIVE
13	50-65	15-15	5	029-21363-002	029-21363-001	029-21363-002	029-21363-001
13			7.5	029-21363-002	029-21363-001	029-21363-003	029-21363-001
13			10	029-21363-002	029-21363-001	029-21363-004	029-21363-002
13		18-18	5	029-21363-002	029-21363-001	029-21363-002	029-21363-001
13			7.5	029-21363-002	029-21363-001	029-21363-003	029-21363-002
13			10	029-21363-002	029-21363-001	029-21363-004	029-21363-002
13			15	029-21363-002	029-21363-001	029-21363-005	029-21363-002
13			20	029-21363-003	029-21363-001	029-21363-006	029-21363-002
13	70-105	18-18	5	029-21363-002	029-21363-001	029-21363-002	029-21363-002
13			7.5	029-21363-002	029-21363-001	029-21363-003	029-21363-002
13			10	029-21363-002	029-21363-001	029-21363-004	029-21363-002
13			15	029-21363-003	029-21363-001	029-21363-005	029-21363-002
13			20	029-21363-003	029-21363-001	029-21363-006	029-21363-003
13		20-18	5	029-21363-002	029-21363-002	029-21363-003	029-21363-002
13			7.5	029-21363-003	029-21363-002	029-21363-004	029-21363-002
13			10	029-21363-003	029-21363-002	029-21363-004	029-21363-002
13			15	029-21363-004	029-21363-002	029-21363-005	029-21363-003
13			20	029-21363-004	029-21363-002	029-21363-006	029-21363-003
13			25	029-21363-004	029-21363-002	029-21363-006	029-21363-004
13			30	029-21363-004	029-21363-002	029-21363-006	029-21363-004

TABLE 13 - EXHAUST FAN MOTORS TWO-INCH SPRING ISOLATORS

FIG	UNIT SIZE	FAN SIZE	MOTOR HP	BLOWER DRIVE	OPPOSITE BLOWER DRIVE	MOTOR DRIVE	OPPOSITE MOTOR DRIVE
13	50-65	15-15	5	029-21330-602	029-21330-601	029-21330-603	029-21330-601
13			7.5	029-21330-602	029-21330-601	029-21330-603	029-21330-601
13			10	029-21330-602	029-21330-601	029-21330-614	029-21330-602
13		18-18	5	029-21330-602	029-21330-601	029-21330-603	029-21330-601
13			7.5	029-21330-602	029-21330-601	029-21330-603	029-21330-602
13			10	029-21330-602	029-21330-601	029-21330-614	029-21330-602
13			15	029-21330-603	029-21330-601	029-21330-616	029-21330-603
13			20	029-21330-603	029-21330-601	029-21330-616	029-21330-603
13	70-105	18-18	5	029-21330-602	029-21330-601	029-21330-603	029-21330-602
13			7.5	029-21330-602	029-21330-601	029-21330-614	029-21330-602
13			10	029-21330-603	029-21330-601	029-21330-614	029-21330-602
13			15	029-21330-603	029-21330-601	029-21330-616	029-21330-603
13			20	029-21330-603	029-21330-601	029-21330-616	029-21330-603
13		20-18	5	029-21330-603	029-21330-602	029-21330-603	029-21330-602
13			7.5	029-21330-603	029-21330-602	029-21330-614	029-21330-602
13			10	029-21330-603	029-21330-602	029-21330-614	029-21330-603
13			15	029-21330-614	029-21330-602	029-21330-616	029-21330-603
13			20	029-21330-614	029-21330-602	029-21330-616	029-21330-614
13			25	029-21330-614	029-21330-602	029-21330-616	029-21330-614
13			30	029-21330-614	029-21330-602	029-21330-616	029-21330-614

TABLE 14 - EXHAUST FAN MOTORS ONE-HALF-INCH NEOPRENE ISOLATORS

FIG	UNIT SIZE	FAN SIZE	MOTOR HP	BLOWER DRIVE	OPPOSITE BLOWER DRIVE	MOTOR DRIVE	OPPOSITE MOTOR DRIVE
13	50-65	15-15	5	028-11957-002	028-11957-002	028-11957-003	028-11957-002
13			7.5	028-11957-002	028-11957-002	028-11957-004	028-11957-002
13			10	028-11957-002	028-11957-002	028-11957-004	028-11957-002
13		18-18	5	028-11957-002	028-11957-002	028-11957-003	028-11957-002
13			7.5	028-11957-002	028-11957-002	028-11957-004	028-11957-002
13			10	028-11957-003	028-11957-002	028-11957-004	028-11957-002
13			15	028-11957-003	028-11957-002	028-11957-005	028-11957-003
13			20	028-11957-003	028-11957-002	028-11957-005	028-11957-003
13	70-105	18-18	5	028-11957-002	028-11957-002	028-11957-003	028-11957-002
13			7.5	028-11957-003	028-11957-002	028-11957-004	028-11957-002
13			10	028-11957-003	028-11957-002	028-11957-004	028-11957-002
13			15	028-11957-003	028-11957-002	028-11957-005	028-11957-003
13			20	028-11957-004	028-11957-002	028-11957-005	028-11957-003
13		20-18	5	028-11957-003	028-11957-002	028-11957-003	028-11957-002
13			7.5	028-11957-003	028-11957-002	028-11957-004	028-11957-002
13			10	028-11957-004	028-11957-002	028-11957-004	028-11957-003
13			15	028-11957-004	028-11957-002	028-11957-005	028-11957-004
13			20	028-11957-004	028-11957-002	028-11957-005	028-11957-004
13			25	028-11957-004	028-11957-002	028-11957-006	028-11957-004
13			30	028-11957-004	028-11957-002	028-11957-006	028-11957-004

TABLE 15 - ISOLATOR PART NUMBER IDENTIFICATION BY COLOR

ONE INCH SPRING ISOLATORS		TWO INCH SPRING ISOLATORS	
COLOR	PART NUMBER	COLOR	PART NUMBER
BLUE	029-21363-001	BLUE	029-21330-601
BLUE/PINK	029-21363-002	YELLOW	029-21330-602
BLUE/BLACK	029-21363-003	BLACK	029-21330-603
BLUE/BLUE	029-21363-004	GREEN	029-21330-614
BLACK	029-21363-005	RED	029-21330-616
BLACK/YELLOW	029-21363-006	RED/BLACK	029-21330-607
RED/BROWN	029-21363-008	RED/GREEN	029-21330-608

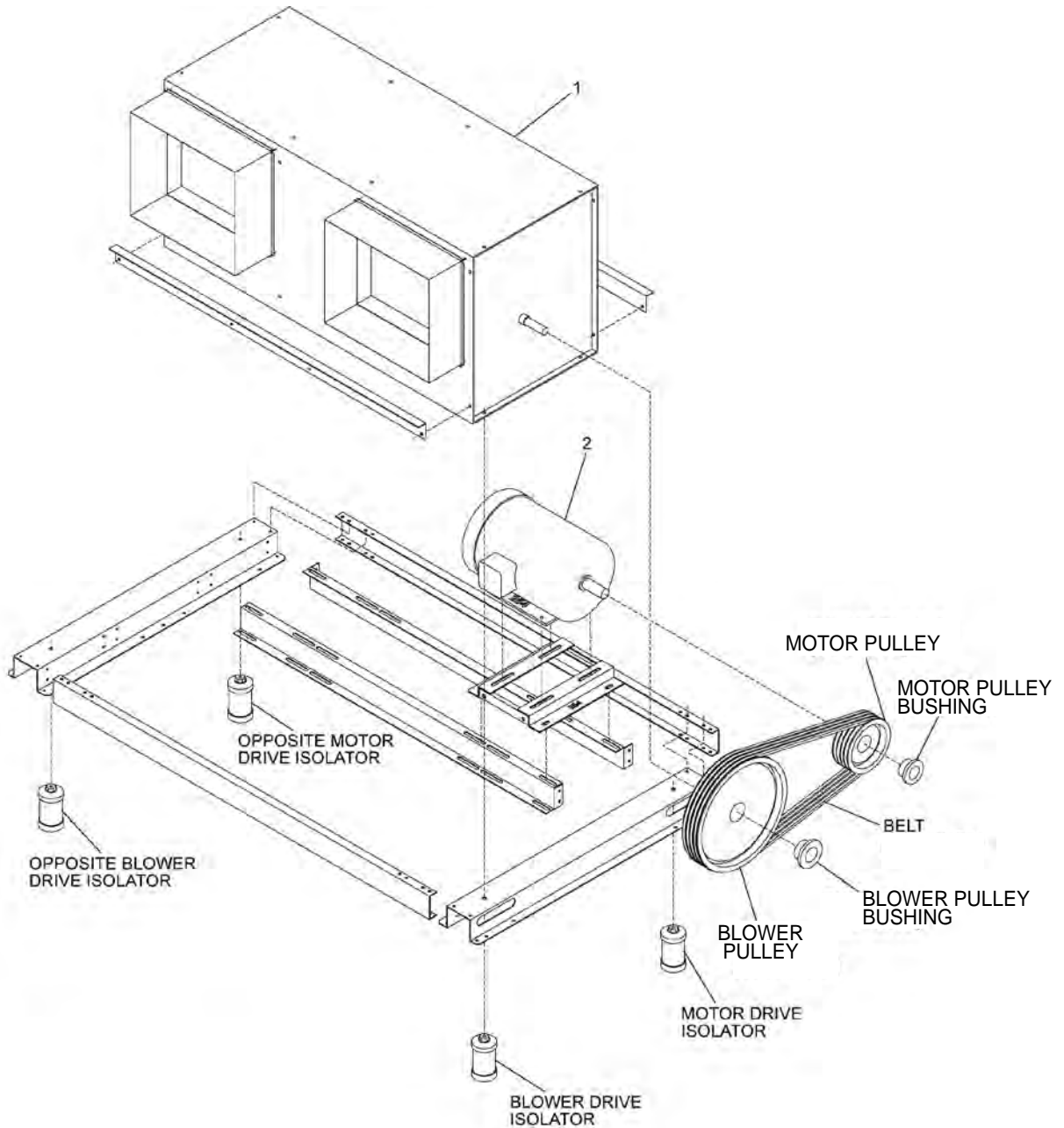


FIG. 13 - EXHAUST FANS, MOTORS, ISOLATORS, AND DRIVE COMPONENTS

TABLE 16 - EXHAUST FAN DRIVES 15 -15 (50 - 65 TON)

MOTOR HP	NOM RPM	MOTOR PULLEY	MOTOR PULLEY BUSHING	BLOWER PULLEY	BLOWER PULLEY BUSHING	BELT QTY	BELT	DRIVE SPEED RPM	DRIVE CENTER DIST
5	600	2AK39118	-----	2AK1141316	-----	2	AX81	583.3	29.5
		2AK41118	-----	2AK1141316	-----	2	AX81	614.4	29.4
		2AK39-QT	QT118	2AK1141316	-----	2	AX81	583.3	29.5
5	700	BK52118	-----	BK1301316	-----	1	BX84	684.6	29.3
		BK52118	-----	BK130-QT	QT1316	1	BX84	684.6	29.3
		BK52-QT	QT118	BK1301316	-----	1	BX84	684.6	29.3
5	800	BK52118	-----	BK1101316	-----	1	BX81	811.3	29.5
		BK55118	-----	BK1201316	-----	1	BX81	787.0	29.4
		BK57118	-----	BK1201316	-----	1	BX81	816.7	29.3
5	900	BK52118	-----	BK1001316	-----	1	BX79	893.9	29.3
		AK64118	-----	AK1241316	-----	1	AX86	892.8	29.4
		AK66118	-----	AK1241316	-----	1	AX86	921.4	29.2
5	1000	AK61X1 1/8	-----	AK104X1 3/16	-----	1	AX82	1015.9	29.2
		BK52X1 1/8	-----	BK90X1 3/16	-----	1	BX77	995.4	29.1
		AK64X1 1/8	-----	AK114X1 3/16	-----	1	AX84	972.2	29.2
5	1100	BK52118	-----	BK801316	-----	1	BX76	1087.8	33.7
		AK66118	-----	AK1041316	-----	1	AX83	1122.8	33.9
		BK55118	-----	BK851316	-----	1	BX77	1121.7	33.9
5	1200	AK64118	-----	AK941316	-----	1	AX81	1182.4	29.3
		AK66118	-----	AK941316	-----	1	AX81	1220.2	29.2
		BK55118	-----	BK801316	-----	1	BX76	1190.0	29.2
7.5	600	2AK49X1 3/8	-----	2AK144-QT	QTX1 3/16	2	AX87	583.3	33.3
		2AK51X1 3/8	-----	2AK144-QT	QTX1 3/16	2	AX87	607.8	33.1
		2BK45X1 3/8	-----	2BK130X1 3/16	-----	2	BX82	583.3	33.3
7.5	700	2AK51X1 3/8	-----	2AK124X1 3/16	-----	2	AX83	698.6	33.3
		2BK45X1 3/8	-----	2BK110X1 3/16	-----	2	BX79	720.7	33.2
		2AK51X1 3/8	-----	2AK124-QT	QTX1 3/16	2	AX83	698.6	33.3
7.5	800	2AK49X1 3/8	-----	2AK104X1 3/16	-----	2	AX80	811.0	29.1
		2AK54X1 3/8	-----	2AK114X1 3/16	-----	2	AX82	816.7	28.9
		2AK49X1 3/8	-----	2AK104-QT	QTX1 3/16	2	AX80	811.0	29.1
7.5	900	BK67-QT	QTX1 3/8	BK130X1 3/16	-----	1	BX86	799.8	33.5
		BK72X1 3/8	-----	BK140X1 3/16	-----	1	BX88	799.8	33.5
		BK67-QT	QTX1 3/8	BK130-QT	QTX1 3/16	1	BX86	810.9	33.1
7.5	1000	BK70-QT	QTX1 3/8	BK120X1 3/16	-----	1	BX84	1021.7	33.5
		BK77X1 3/8	-----	BK130X1 3/16	-----	1	BX87	976.5	33.6
		BK65-QT	QTX1 3/8	BK115-QT	QTX1 3/16	1	BX83	1007.4	33.5
7.5	1100	BK77X1 3/8	-----	BK120X1 3/16	-----	1	BX85	1113.0	28.8
		BK70-QT	QTX1 3/8	BK110X1 3/16	-----	1	BX83	1102.6	29.1
		BK67-QT	QTX1 3/8	BK105-QT	QTX1 3/16	1	BX81	1105.2	28.8

TABLE 16 - EXHAUST FAN DRIVES 15 -15 (50 - 65 TON) (CONT'D)

MOTOR HP	NOM RPM	MOTOR PULLEY	MOTOR PULLEY BUSHING	BLOWER PULLEY	BLOWER PULLEY BUSHING	BELT QTY	BELT	DRIVE SPEED RPM	DRIVE CENTER DIST
7.5	1200	BK70-QT	QTX1 3/8	BK100X1 3/16	-----	1	BX81	1215.0	29.0
		BK77X1 3/8	-----	BK110X1 3/16	-----	1	BX84	1215.9	29.1
		AK84-QT	QTX1 3/8	AK124X1 3/16	-----	1	AX88	1178.6	28.9
10	600	4.0X3B-SH	SHX1 3/8	12.4X3B-SK	SKX1 3/16	3	BX83	602.7	29.2
		4.8X3B-SD	SDX1 3/8	13.6X3B-SK	SKX1 3/16	3	AX86	605.0	28.9
		4.4X3B-SH	SHX1 3/8	13.6X3B-SK	SKX1 3/16	3	BX85	601.1	28.9
10	700	2BK57X1 3/8	-----	2BK140X1 3/16	-----	2	BX86	706.1	33.6
		2BK57-QT	QTX1 3/8	2BK140X1 3/16	-----	2	BX86	706.1	33.6
		2BK57X1 3/8	-----	2BK140-QT	QTX1 3/16	2	BX86	684.6	33.3
10	800	2AK61X1 3/8	-----	2AK134X1 3/16	-----	2	AX87	785.8	29.2
		2AK61X1 3/8	-----	2AK134-QT	QTX1 3/16	2	AX87	785.8	29.2
		2BK55X1 3/8	-----	2BK120X1 3/16	-----	2	BX82	787.1	28.9
10	900	2AK61X1 3/8	-----	2AK114X1 3/16	-----	2	AX83	925.6	28.9
		2AK64X1 3/8	-----	2AK124X1 3/16	-----	2	AX85	892.9	28.9
		2AK61-QT	QTX1 3/8	2AK114X1 3/16	-----	2	AX83	925.6	28.9
10	1000	2AK61X1 3/8	-----	2AK104X1 3/16	-----	2	AX82	1015.9	29.2
		2AK64X1 3/8	-----	2AK114X1 3/16	-----	2	AX84	972.2	29.2
		2AK61-QT	QTX1 3/8	2AK104X1 3/16	-----	2	AX82	1015.9	29.2
10	1100	2AK61X1 3/8	-----	2AK94X1 3/16	-----	2	AX80	1116.5	33.2
		2AK64X1 3/8	-----	2AK104X1 3/16	-----	2	AX82	1116.5	33.2
		2AK61-QT	QTX1 3/8	2AK94X1 3/16	-----	2	AX80	1087.8	33.2
10	2100	2AK64X1 3/8	-----	2AK94X1 3/16	-----	2	AX80	1182.4	28.8
		2BK55X1 3/8	-----	2BK80X1 3/16	-----	2	BX76	1190.0	29.2
		2BK57X1 3/8	-----	2BK80X1 3/16	-----	2	BX76	1234.8	29.1

Model numbers shown are for T B Woods

TABLE 17 - EXHAUST FAN DRIVES 18 - 18 (50 - 105 TON)

MOTOR HP	NOM RPM	MOTOR PULLEY	MOTOR PULLEY BUSHING	BLOWER PULLEY	BLOWER PULLEY BUSHING	BELT QTY	BELT	DRIVE SPEED RPM	DRIVE CENTER DIST
5	600	BK52118	-----	BK150-QT	QT1716	1	BX96	592.2	33.6
		AK64118	-----	AK184-QT	QT1716	1	AX105	599.3	33.8
		AK66118	-----	AK184-QT	QT1716	1	AX105	618.4	33.6
5	700	BK52118	-----	BK1301716	-----	1	BX93	684.6	33.8
		AK59118	-----	AK1441716	-----	1	AX97	706.1	33.6
		AK59118	-----	AK144-QT	QT1716	1	AX97	706.1	33.6
5	800	AK59118	-----	AK1241716	-----	1	AX94	821.4	33.7
		BK52118	-----	BK1101716	-----	1	BX89	811.3	33.5
		BK52118	-----	BK1151716	-----	1	BX90	775.4	33.6
5	900	AK59118	-----	AK1141716	-----	1	AX93	894.4	34.1
		BK52118	-----	BK1001716	-----	1	BX88	893.9	33.8
		AK64118	-----	AK1241716	-----	1	AX95	892.8	33.9

TABLE 17 - EXHAUST FAN DRIVES 18 - 18 (50 - 105 TON) (CONT'D)

MOTOR HP	NOM RPM	MOTOR PULLEY	MOTOR PULLEY BUSHING	BLOWER PULLEY	BLOWER PULLEY BUSHING	BELT QTY	BELT	DRIVE SPEED RPM	DRIVE CENTER DIST
5	1000	AK59118	-----	AK1041716	-----	1	AX91	981.7	33.9
		AK61118	-----	AK1041716	-----	1	AX91	1015.8	33.8
		BK52118	-----	BK901716	-----	1	BX86	995.4	33.6
5	1100	AK59118	-----	AK941716	-----	1	AX89	1087.8	33.7
		BK52118	-----	BK801716	-----	1	BX85	1122.8	33.9
		AK64118	-----	AK991716	-----	1	AX91	1121.7	33.9
7.5	600	2AK49138	-----	2AK1441716	-----	2	AX95	583.3	33.3
		2AK51138	-----	2AK1441716	-----	2	AX95	607.8	33.1
		2AK49138	-----	2AK144-QT	QT1716	2	AX95	583.3	33.3
7.5	700	BK65-QT	QT138	BK160-QT	QT1716	1	BX99	698.6	33.3
		BK67-QT	QT138	BK160-QT	QT1716	1	BX99	720.7	33.2
		BK65-QT	QT138	BK1601716	-----	1	BX99	698.6	33.3
7.5	800	BK65-QT	QT138	BK1401716	-----	1	BX96	799.8	33.5
		BK65-QT	QT138	BK140-QT	QT1716	1	BX96	799.8	33.5
		2AK49138	-----	2AK1041716	-----	2	AX88	810.9	33.1
7.5	900	BK65-QT	QT138	BK1401716	-----	1	BX96	799.8	33.5
		BK65-QT	QT138	BK140-QT	QT1716	1	BX96	799.8	33.5
		2AK49138	-----	2AK1041716	-----	2	AX88	810.9	33.1
7.5	1000	BK65-QT	QT138	BK1101716	-----	1	BX91	1021.7	33.5
		BK65-QT	QT138	BK1151716	-----	1	BX92	976.5	33.6
		BK67-QT	QT138	BK1151716	-----	1	BX92	1007.4	33.5
7.5	1100	BK72138	-----	BK1151716	-----	1	BX93	1084.8	33.6
		BK67-QT	QT138	BK1051716	-----	1	BX90	1105.1	33.3
		BK77138	-----	BK1201716	-----	1	BX94	1112.9	33.3
10	600	2BK55138	-----	2BK1601716	-----	2	BX98	587.9	33.5
		2BK57138	-----	2BK1601716	-----	2	BX98	610.1	33.4
		2BK55138	-----	2BK160-QT	QT1716	2	BX98	587.9	33.5
10	700	2AK59138	-----	2AK1441716	-----	2	AX97	706.1	33.6
		2AK59138	-----	2AK144-QT	QT1716	2	AX97	706.1	33.6
		2BK52138	-----	2BK1301716	-----	2	2-BX92	684.6	33.3
10	800	2AK59138	-----	2AK1241716	-----	2	2-AX93	821.4	33.2
		BK90138	-----	BK1901716	-----	1	BX108	819.7	33.5
		2BK52138	-----	2BK1101716	-----	2	BX89	811.3	33.5
10	900	BK80138	-----	BK150-QT	QT1716	1	BX100	923.0	33.6
		BK80-QT	QT138	BK150-QT	QT1716	1	BX100	923.0	33.6
		BK85138	-----	BK160-QT	QT1716	1	BX103	919.9	33.9
10	1000	BK80138	-----	BK1401716	-----	1	BX98	989.8	33.4
		BK80138	-----	BK140-QT	QT1716	1	BX98	989.8	33.4
		BK80-QT	QT138	BK1401716	-----	1	BX98	989.8	33.4
10	1100	BK90138	-----	BK1401716	-----	1	BX99	1116.5	33.2
		BK90138	-----	BK140-QT	QT1716	1	BX99	1116.5	33.2
		2AK59138	-----	2AK941716	-----	2	AX88	1087.8	33.2
15	600	6.0X3B-SD	SDX1 5/8	16.0X3B-SK	SKX1 7/16	3	AX97	645.9	31.5
		5.4X3B-SD	SDX1 5/8	15.4X3B-SK	SKX1 7/16	3	BX95	643.3	31.7

TABLE 17 - EXHAUST FAN DRIVES 18 - 18 (50 - 105 TON) (CONT'D)

MOTOR HP	NOM RPM	MOTOR PULLEY	MOTOR PULLEY BUSHING	BLOWER PULLEY	BLOWER PULLEY BUSHING	BELT QTY	BELT	DRIVE SPEED RPM	DRIVE CENTER DIST
15	700	6.0X2B-SDS	SDSX1 5/8	15.4X2B-SK	SKX1 7/16	2	BX96	709.7	31.7
		6.0X2B-SDS	SDSX1 5/8	16.0X2B-SK	SKX1 7/16	2	BX97	683.8	31.7
		6.2X2B-SDS	SDSX1 5/8	16.0X2B-SK	SKX1 7/16	2	BX97	705.1	31.6
15	800	602B-SDS	SDS158	1362B-SK	SK1716	2	BX93	800.8	31.8
		602LB-SF	SF158	1362B-SK	SK1716	2	BX93	800.8	31.8
		623B-SD	SD158	1363B-SK	SK1716	2	AX93	787.1	32.0
15	900	602B-SDS	SDS158	1242B-SK	SK1716	2	BX91	875.8	31.8
		622B-SDS	SDS158	1242B-SK	SK1716	2	BX91	903.2	31.6
		602LB-SF	SF158	1242B-SK	SK1716	2	BX91	875.8	31.8
15	1000	602B-SDS	SDS158	1102B-SK	SK1716	2	BX88	983.3	31.4
		622B-SDS	SDS158	1102B-SK	SK1716	2	BX89	1013.9	31.8
		682B-SDS	SDS158	1242B-SK	SK1716	2	BX92	985.1	31.7
15	1100	662B-SDS	SDS158	1102B-SK	SK1716	2	BX89	1075.3	31.5
		682B-SDS	SDS158	1102B-SK	SK1716	2	BX90	1105.9	31.9
		603B-SD	SD158	943B-SK	SK1716	3	AX85	1106.7	31.6
20	600	5.6X3B-SD	SDX1 5/8	16.0X3B-SK	SKX1 7/16	3	BX96	641.1	31.5
		5.6X3LB-SF	SFX1 5/8	16.0X3B-SK	SKX1 7/16	3	BX96	641.1	31.5
20	700	6.2X3B-SD	SDX1 5/8	16.0X3B-SK	SKX1 7/16	3	BX97	705.1	31.6
20	800	7.4X2B-SK	SKX1 5/8	16.0X2B-SK	SKX1 7/16	2	BX99	833.0	31.7
		7.5X2C-SF	SFX1 5/8	16.0X2C-SF	SFX1 7/16	2	CX100	843.0	32.7
20	900	802B-SK	SK158	1602B-SK	SK1716	2	BX100	897.0	31.8
		802LB-SF	SF158	1602B-SK	SK1716	2	BX100	897.0	31.8
		803B-SK	SK158	1543B-SK	SK1716	3	AX98	900.8	31.7
20	1000	742B-SK	SK158	1362B-SK	SK1716	2	BX95	975.7	31.8
		862B-SK	SK158	1542B-SK	SK1716	2	BX100	997.4	31.9
		803B-SK	SK158	1363B-SK	SK1716	3	AX95	1021.3	31.7
20	1100	803B-SK	SK158	1243B-SK	SK1716	3	AX93	1121.4	31.7
		942B-SK	SK158	1542B-SK	SK1716	2	BX103	1085.9	32.8
		803LB-SF	SF158	1243B-SK	SK1716	3	AX93	1121.4	31.7

Model numbers shown are for T B Woods

TABLE 18 - EXHAUST FAN DRIVES 20-18 (70 - 105 TON)

MOTOR HP	NOM RPM	MOTOR PULLEY	MOTOR PULLEY BUSHING	BLOWER PULLEY	BLOWER PULLEY BUSHING	BELT QTY	BELT	DRIVE SPEED RPM	DRIVE CENTER DIST
5	600	382B-SH	SH118	1102B-SK	SK11116	2	AX86	588.7	32.5
		402B-SH	SH118	1102B-SK	SK11116	2	AX86	620.9	32.3
		481B-SDS	SDS118	1541B-SK	SK11116	1	BX96	576.9	32.6
5	700	461B-SDS	SDS118	1241B-SDS	SDS11116	1	BX90	684.6	32.3
		481B-SDS	SDS118	1241B-SDS	SDS11116	1	BX90	711.9	32.2
		501B-SDS	SDS118	1361B-SDS	SDS11116	1	BX93	675.9	32.5
5	800	481B-SDS	SDS118	1101B-SDS	SDS11116	1	BX88	799.3	32.3
		541B-SDS	SDS118	1241B-SDS	SDS11116	1	BX91	793.9	32.2
		561B-SDS	SDS118	1241B-SDS	SDS11116	1	BX92	821.2	32.6
5	900	461B-SDS	SDS118	941B-SDS	SDS11116	1	BX85	893.9	32.3
		541B-SDS	SDS118	1101B-SDS	SDS11116	1	BX89	891.3	32.4
		561B-SDS	SDS118	1101B-SDS	SDS11116	1	BX89	921.9	32.2
5	1000	481B-SDS	SDS118	861B-SDS	SDS11116	1	BX84	1012.1	32.3
		521B-SDS	SDS118	941B-SDS	SDS11116	1	BX86	1000.9	32.4
		621B-SDS	SDS118	1101B-SDS	SDS11116	1	AX89	975.8	32.2
5	1100	461B-SDS	SDS118	741B-SDS	SDS11116	1	BX82	1122.8	32.4
		481B-SDS	SDS118	801B-SDS	SDS11116	1	BX83	1084.3	32.3
		601B-SDS	SDS118	941B-SDS	SDS11116	1	AX86	1106.7	32.1
5	1200	461B-SDS	SDS118	681B-SDS	SDS11116	1	BX81	1216.2	32.4
		461B-SDS	SDS118	701B-SDS	SDS11116	1	BX81	1183.4	32.3
		501B-SDS	SDS118	741B-SDS	SDS11116	1	BX82	1212.4	32.1
7.5	600	2AK49138	-----	2AK1441716	-----	2	AX95	583.3	33.3
		2AK51138	-----	2AK1441716	-----	2	AX95	607.8	33.1
		2AK49138	-----	2AK144-QT	QT1716	2	AX95	583.3	33.3
7.5	700	BK65-QT	QT138	BK160-QT	QT1716	1	BX99	698.6	33.3
		BK67-QT	QT138	BK160-QT	QT1716	1	BX99	720.7	33.2
		BK65-QT	QT138	BK1601716	-----	1	BX99	698.6	33.3
7.5	800	BK65-QT	QT138	BK1401716	-----	1	BX96	799.8	33.5
		BK65-QT	QT138	BK140-QT	QT1716	1	BX96	799.8	33.5
		2AK49138	-----	2AK1041716	-----	2	AX88	810.9	33.1
7.5	900	BK67-QT	QT138	BK1301716	-----	1	BX94	889.5	33.2
		BK72138	-----	BK1401716	-----	1	BX97	888.4	33.5
		BK67-QT	QT138	BK130-QT	QT1716	1	BX94	889.5	33.2
7.5	1000	BK80138	-----	BK1401716	-----	1	BX98	989.8	33.4
		BK80138	-----	BK140-QT	QT1716	1	BX98	989.8	33.4
		BK80-QT	QT138	BK1401716	-----	1	BX98	989.8	33.4
7.5	1100	BK90138	-----	BK1401716	-----	1	BX99	1116.5	33.2
		BK90138	-----	BK140-QT	QT1716	1	BX99	1116.5	33.2
		2AK59138	-----	2AK941716	-----	2	AX88	1087.8	33.2
7.5	1200	621B-SDS	SDS138	941B-SDS	SDS11116	1	BX87	1179.3	32.1
		641B-SDS	SDS138	941B-SDS	SDS11116	1	BX87	1214.9	32.0
		402B-SH	SH138	602B-SDS	SDS11116	2	BX78	1204.2	32.0

TABLE 18 - EXHAUST FAN DRIVES 20-18 (70 - 105 TON) (CONT'D)

MOTOR HP	NOM RPM	MOTOR PULLEY	MOTOR PULLEY BUSHING	BLOWER PULLEY	BLOWER PULLEY BUSHING	BELT QTY	BELT	DRIVE SPEED RPM	DRIVE CENTER DIST
10	600	2BK55138	-----	2BK1601716	-----	2	BX98	587.9	33.5
		2BK57138	-----	2BK1601716	-----	2	BX98	610.1	33.4
		2BK55138	-----	2BK160-QT	QT1716	2	BX98	587.9	33.5
10	700	2AK59138	-----	2AK1441716	-----	2	AX97	706.1	33.6
		2AK59138	-----	2AK144-QT	QT1716	2	AX97	706.1	33.6
		2BK52138	-----	2BK1301716	-----	2	BX92	684.6	33.3
10	800	2AK59138	-----	2AK1241716	-----	2	AX93	821.4	33.2
		BK90138	-----	BK1901716	-----	1	BX108	819.7	33.5
		2BK52138	-----	2BK1101716	-----	2	BX89	811.3	33.5
10	900	BK80138	-----	BK150-QT	QT1716	1	BX100	923.0	33.6
		BK80-QT	QT138	BK150-QT	QT1716	1	BX100	923.0	33.6
		BK85138	-----	BK160-QT	QT1716	1	BX103	919.9	33.9
10	1000	BK80138	-----	BK1401716	-----	1	BX98	989.8	33.4
		BK80138	-----	BK140-QT	QT1716	1	BX98	989.8	33.4
		BK80-QT	QT138	BK1401716	-----	1	BX98	989.8	33.4
10	1100	BK90138	-----	BK1401716	-----	1	BX99	1116.5	33.2
		BK90138	-----	BK140-QT	QT1716	1	BX99	1116.5	33.2
		2AK59138	-----	2AK941716	-----	2	AX88	1087.8	33.2
10	1200	741B-SDS	SDS138	1101B-SDS	SDS11116	1	BX91	1197.9	31.9
		462B-SDS	SDS138	682B-SDS	SDS11116	2	BX80	1216.2	31.9
		3V4123-SH	SH138	3V603-SDS	SDS11116	3	3VX800	1201.6	32.0
15	600	6.0X3B-SD	SDX1 5/8	16.0X3B-SK	SKX1 7/16	3	AX97	645.9	31.5
		5.4X3B-SD	SDX1 5/8	15.4X3B-SK	SKX1 7/16	3	BX95	643.3	31.7
15	700	6.0X2B-SDS	SDSX1 5/8	15.4X2B-SK	SKX1 7/16	2	BX96	709.7	31.7
		6.0X2B-SDS	SDSX1 5/8	16.0X2B-SK	SKX1 7/16	2	BX97	683.8	31.7
		6.2X2B-SDS	SDSX1 5/8	16.0X2B-SK	SKX1 7/16	2	BX97	705.1	31.6
15	800	602B-SDS	SDS158	1362B-SK	SK1716	2	BX93	800.8	31.8
		602LB-SF	SF158	1362B-SK	SK1716	2	BX93	800.8	31.8
		623B-SD	SD158	1363B-SK	SK1716	2	AX93	787.1	32.0
15	900	602B-SDS	SDS158	1242B-SK	SK1716	2	BX91	875.8	31.8
		622B-SDS	SDS158	1242B-SK	SK1716	2	BX91	903.2	31.6
		602LB-SF	SF158	1242B-SK	SK1716	2	BX91	875.8	31.8
15	1000	602B-SDS	SDS158	1102B-SK	SK1716	2	BX88	983.3	31.4
		622B-SDS	SDS158	1102B-SK	SK1716	2	BX89	1013.9	31.8
		682B-SDS	SDS158	1242B-SK	SK1716	2	BX92	985.1	31.7
15	1100	662B-SDS	SDS158	1102B-SK	SK1716	2	BX89	1075.3	31.5
		682B-SDS	SDS158	1102B-SK	SK1716	2	BX90	1105.9	31.9
		603B-SD	SD158	943B-SK	SK1716	3	AX85	1106.7	31.6
15	1200	622B-SDS	SDS158	942B-SK	SK11116	2	BX83	1179.3	30.1
		642B-SDS	SDS158	942B-SK	SK11116	2	BX84	1214.9	30.5
		463B-SD	SD158	683B-SD	SD11116	3	BX77	1216.2	30.4
20	600	5.6X3B-SD	SDX1 5/8	16.0X3B-SK	SKX1 7/16	3	BX96	641.1	31.5
		5.6X3LB-SF	SFX1 5/8	16.0X3B-SK	SKX1 7/16	3	BX96	641.1	31.5
20	700	6.2X3B-SD	SDX1 5/8	16.0X3B-SK	SKX1 7/16	3	BX97	705.1	31.6

TABLE 18 - EXHAUST FAN DRIVES 20-18 (70 - 105 TON) (CONT'D)

MOTOR HP	NOM RPM	MOTOR PULLEY	MOTOR PULLEY BUSHING	BLOWER PULLEY	BLOWER PULLEY BUSHING	BELT QTY	BELT	DRIVE SPEED RPM	DRIVE CENTER DIST
20	800	7.4X2B-SK	SKX1 5/8	16.0X2B-SK	SKX1 7/16	2	BX99	833.0	31.7
		7.5X2C-SF	SFX1 5/8	16.0X2C-SF	SFX1 7/16	2	CX100	843.0	32.7
20	900	802B-SK	SK158	1602B-SK	SK1716	2	BX100	897.0	31.8
		802LB-SF	SF158	1602B-SK	SK1716	2	BX100	897.0	31.8
		803B-SK	SK158	1543B-SK	SK1716	3	AX98	900.8	31.7
20	1000	742B-SK	SK158	1362B-SK	SK1716	2	BX95	975.7	31.8
		862B-SK	SK158	1542B-SK	SK1716	2	BX100	997.4	31.9
		803B-SK	SK158	1363B-SK	SK1716	3	AX95	1021.3	31.7
20	1100	803B-SK	SK158	1243B-SK	SK1716	3	AX93	1121.4	31.7
		942B-SK	SK158	1542B-SK	SK1716	2	BX103	1085.9	32.8
		803LB-SF	SF158	1243B-SK	SK1716	3	AX93	1121.4	31.7
20	1200	742B-SK	SK158	1102B-SK	SK11116	2	BX88	1197.9	30.4
		742B-SK	SK158	1102LB-SF	SF11116	2	BX88	1197.9	30.4
		623B-SD	SD158	943B-SK	SK11116	3	BX83	1179.3	30.1
25	600	6.0X4B-SD	SDX1 7/8	18.4X4B-SF	SFX1 11/16	4	BX98	596.5	30.1
		6.2X4B-SD	SDX1 7/8	18.4X4B-SF	SFX1 11/16	4	BX98	615.1	30.0
		3V6.5X5-SK	SKX1 7/8	3V19.0X5-SF	SFX1 11/16	5	3VX1060	598.7	32.4
25	700	7.0X3B-SK	SKX1 7/8	18.4X3B-SK	SKX1 11/16	3	BX99	689.6	29.9
		6.0X4B-SD	SDX1 7/8	15.4X4B-SF	SFX1 11/16	4	BX93	709.7	30.2
		7.0X3LB-SF	SFX1 7/8	18.4X3B-SK	SKX1 11/16	3	BX99	689.6	29.9
25	800	8.0X3B-SK	SKX1 7/8	18.4X3B-SK	SKX1 11/16	3	BX103	782.6	31.2
		8.0X3LB-SF	SFX1 7/8	18.4X3B-SK	SKX1 11/16	3	BX103	782.6	31.2
		8.6X4B-SK	SKX1 7/8	18.4X4B-SF	SFX1 11/16	4	AX103	810.3	30.6
25	900	9.4X2B-SK	SKX1 7/8	18.4X2B-SK	SKX1 11/16	2	BX103	912.8	30.2
		9.4X2LB-SF	SFX1 7/8	18.4X2B-SK	SKX1 11/16	2	BX103	912.8	30.2
		8.0X3B-SK	SKX1 7/8	16.0X3B-SK	SKX1 11/16	3	BX96	897.0	29.8
25	1000	9.4X3B-SK	SKX1 7/8	16.0X3B-SK	SKX1 11/16	3	AX100	1021.3	30.5
		8.6X3B-SK	SKX1 7/8	15.4X3B-SK	SKX1 11/16	3	BX96	997.5	29.9
		9.4X3LB-SF	SFX1 7/8	16.0X3B-SK	SKX1 11/16	3	AX100	1021.3	30.5
25	1100	9.4X2B-SK	SKX1 7/8	15.4X2B-SK	SKX1 11/16	2	BX97	1086.0	29.8
		9.4X2LB-SF	SFX1 7/8	15.4X2B-SK	SKX1 11/16	2	BX97	1086.0	29.8
		8.6X3B-SK	SKX1 7/8	13.6X3B-SK	SKX1 11/16	3	BX93	1125.6	29.9
25	1200	8.6X2B-SK	SKX1 5/8	15.4X2B-SK	SKX1 7/16	2	BX88	997.5	25.8
		8.0X3B-SK	SKX1 5/8	13.6X3B-SK	SKX1 7/16	3	AX84	1021.4	25.5
		8.6X2LB-SF	SFX1 5/8	15.4X2B-SK	SKX1 7/16	2	BX88	997.5	25.8
30	700	7.4X3B-SK	SKX1 7/8	18.4X3B-SK	SKX1 11/16	3	BX100	726.8	30.1
30	800	8.0X3B-SK	SKX1 7/8	18.4X3B-SK	SKX1 11/16	3	BX103	782.6	31.2
		8.0X3LB-SF	SFX1 7/8	18.4X3B-SK	SKX1 11/16	3	BX103	782.6	31.2
		8.6X4B-SK	SKX1 7/8	18.4X4B-SF	SFX1 11/16	4	AX103	810.3	30.6
30	900	8.0X3B-SK	SKX1 7/8	16.0X3B-SK	SKX1 11/16	3	BX96	897.0	29.8
		8.0X3LB-SF	SFX1 7/8	16.0X3B-SK	SKX1 11/16	3	BX96	897.0	29.8
		9.4X3B-SK	SKX1 7/8	18.4X3B-SK	SKX1 11/16	3	BX103	912.8	30.2

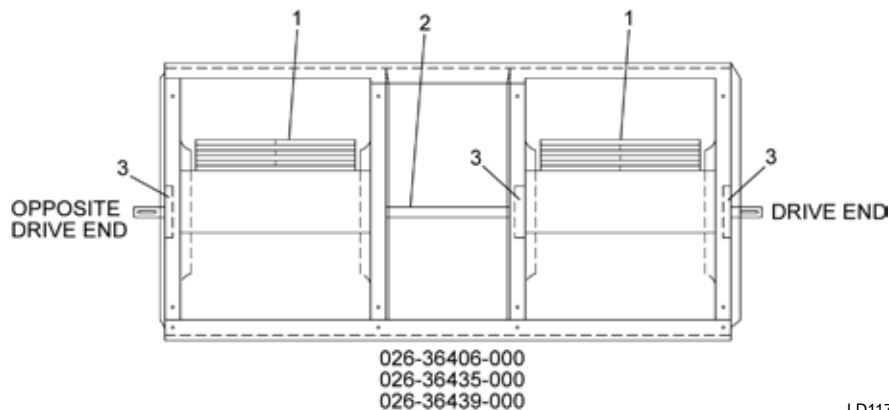
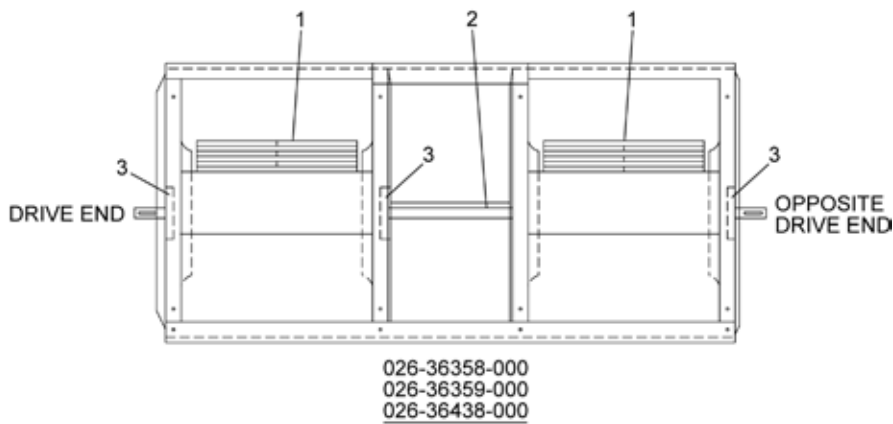
TABLE 18 - EXHAUST FAN DRIVES 20-18 (70 - 105 TON) (CONT'D)

MOTOR HP	NOM RPM	MOTOR PULLEY	MOTOR PULLEY BUSHING	BLOWER PULLEY	BLOWER PULLEY BUSHING	BELT QTY	BELT	DRIVE SPEED RPM	DRIVE CENTER DIST
30	1000	3V10.6X3-SK	SKX1 7/8	3V19.0X3-SF	SFX1 11/16	3	3VX1120	976.3	32.5
		10.0X2C-SF	SFX1 7/8	18.0X2C-SF	SFX1 11/16	2	CX105	989.1	31.7
		5V10.9X2-SK	SKX1 7/8	5V18.7X2-SF	SFX1 11/16	2	5VX1120	1020.1	32.5
30	1100	9.4X3B-SK	SKX1 7/8	15.4X3B-SK	SKX1 11/16	3	BX97	1086.0	29.8
		9.4X3LB-SF	SFX1 7/8	15.4X3B-SK	SKX1 11/16	3	BX97	1086.0	29.8
		9.4X3B-SK	SKX1 7/8	15.4X3LB-SF	SFX1 11/16	3	BX97	1086.0	29.8
30	1200	11.0X2B-SK	SKX1 7/8	16.0X2B-SK	SKX1 11/16	2	BX103	1216.9	31.1
		9.4X3B-SK	SKX1 7/8	13.6X3B-SK	SKX1 11/16	3	BX94	1225.5	29.8
		11.0X2LB-SF	SFX1 7/8	16.0X2B-SK	SKX1 11/16	2	BX103	1216.9	31.1

Model numbers shown are T B Woods

TABLE 19 - EXHAUST FAN REPLACEMENT PARTS

FIG	ITEM	RETURN AIR LOCATION	SIZE	EXHAUST FAN PART NUMBER	PART DESCRIPTION	QTY.	PART NUMBER
14	1	BOTTOM OR RIGHT	15-15	026-36358-000 (50-65 TON)	WHEEL	2	026-38829-000
14	2				SHAFT	1	029-22049-000
14	3				BEARING	3	029-22057-000
14	1	LEFT	15-15	026-36435-000 (50-65 TON)	WHEEL	2	026-38829-000
14	2				SHAFT	1	029-22049-000
14	3				BEARING	3	029-22057-000
14	1	BOTTOM OR RIGHT	18-18	026-36359-000 (50-65 TON)	WHEEL	2	026-38831-000
14	2				SHAFT	1	029-22051-000
14	3				BEARING	3	029-22059-000
14	1	LEFT	18-18	026-36406-000 (50-65 TON)	WHEEL	2	026-38831-000
14	2				SHAFT	1	029-22051-000
14	3				BEARING	3	029-22059-000
14	1	BOTTOM OR RIGHT	20-18	026-36438-000 (70-105 TON)	WHEEL	2	026-33836-000
14	2				SHAFT	1	029-22063-000
14	3				BEARING	3	029-22060-000
14	1	LEFT	20-18	026-36439-000 (70-105 TON)	WHEEL	2	026-33836-000
14	2				SHAFT	1	029-22063-000
14	3				BEARING	3	029-22060-000



LD11789

FIG. 14 - EXHAUST FAN REPLACEMENT PARTS

TABLE 20 - RETURN FANS

FIG	ITEM	UNIT SIZE	ROTATION	PART NUMBER
15	1	50-65	CLOCKWISE	026-40562-000
15	2		COUNTERCLOCKWISE	026-40562-001
15	1	70-105	CLOCKWISE	026-40563-000
15	2		COUNTERCLOCKWISE	026-40563-001

TABLE 21 - RETURN FAN MOTORS, ODP, 3-PHASE, 60 HERTZ

FIG	ITEM	UNIT SIZE	MOTOR HP	VOLTAGE	STANDARD EFFICIENCY PART NUMBER	HIGH EFFICIENCY PART NUMBER
15	3	50-105	5	200	024-23936-000	024-27056-000
15	3			230	024-23929-000	024-27057-000
15	3			380	024-26234-000	NA
15	3			460	024-23929-000	024-27057-000
15	3			575	024-27009-000	024-27371-000
15	3		7.5	200	024-23937-000	024-27058-000
15	3			230	024-23930-000	024-27059-000
15	3			380	024-26235-000	NA
15	3			460	024-23930-000	024-27059-000
15	3			575	024-27010-000	024-27372-000
15	3		10	200	024-23938-000	024-27060-000
15	3			230	024-23931-000	024-27062-000
15	3			380	024-26236-000	NA
15	3			460	024-23931-000	024-27062-000
15	3			575	024-27011-000	024-27373-000
15	3		15	200	024-23939-000	024-27063-000
15	3			230	024-23932-000	024-27064-000
15	3			380	024-26237-000	NA
15	3			460	024-23932-000	024-27064-000
15	3			575	024-27012-000	024-27374-000
15	3	90-105	20	200	024-23940-000	024-27065-000
15	3			230	024-23933-000	024-27066-000
15	3			380	024-26238-000	NA
15	3			460	024-23933-000	024-27066-000
15	3			575	024-27013-000	024-27375-000

TABLE 22 - RETURN FAN MOTORS, TEFC, 3-PHASE, 60 HERTZ

FIG	ITEM	UNIT SIZE	MOTOR HP	VOLTAGE	STANDARD EFFICIENCY PART NUMBER	HIGH EFFICIENCY PART NUMBER	
15	3	50-105	5	200	024-23922-000	024-27083-000	
15	3			230	024-23915-000	024-27084-000	
15	3			380	024-26249-000	NA	
15	3			460	024-23915-000	024-27084-000	
15	3			575	024-27041-000	024-27343-000	
15	3		7.5	7.5	200	024-23923-000	024-27085-000
15	3				230	024-23916-000	024-27086-000
15	3				380	024-26250-000	NA
15	3				460	024-23916-000	024-27086-000
15	3				575	024-27042-000	024-27345-000
15	3		10	10	200	024-23924-000	024-27087-000
15	3				230	024-23917-000	024-27088-000
15	3				380	024-26251-000	NA
15	3				460	024-23917-000	024-27088-000
15	3				575	024-27043-000	024-27347-000
15	3		15	15	200	024-23925-000	024-27089-000
15	3				230	024-23918-000	024-27090-000
15	3				380	024-26252-000	NA
15	3				460	024-23918-000	024-27090-000
15	3				575	024-27314-000	024-27349-000
15	3	90-105	20	200	024-27336-000	024-27097-000	
15	3			230	024-23919-000	024-27098-000	
15	3			380	024-26253-000	NA	
15	3			460	024-23919-000	024-27098-000	
15	3			575	024-27029-000	024-27351-000	

TABLE 23 - RETURN FAN MOTORS, ODP AND TEFC, 3-PHASE, 50 HERTZ

FIG	ITEM	UNIT SIZE	MOTOR HP	VOLTAGE	ODP STANDARD EFFICIENCY PART NUMBER	TEFC STANDARD EFFICIENCY PART NUMBER
15	3	50-105	5	400	024-27323-000	024-27331-000
15	3		7.5	400	024-27324-000	024-27332-000
15	3		10	400	024-27325-000	024-27334-000
15	3		15	400	024-27326-000	024-27335-000
15	3	90-105	20	400	024-27327-000	024-27337-000

TABLE 24 - RETURN FAN ONE-INCH SPRING ISOLATORS

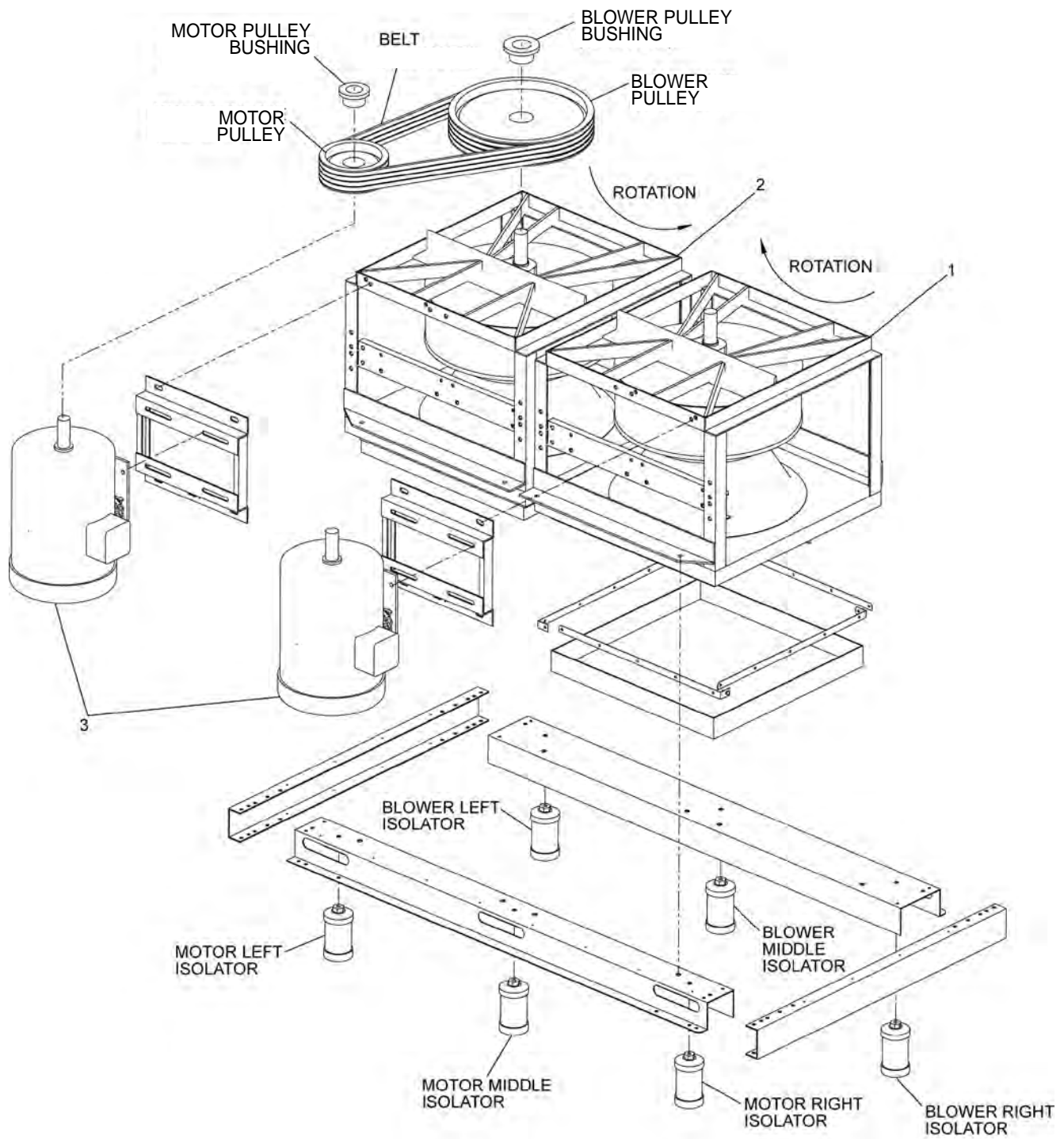
FIG	UNIT SIZE	MOTOR HP	BLOWER LEFT	BLOWER MIDDLE	BLOWER RIGHT	MOTOR LEFT	MOTOR MIDDLE	MOTOR RIGHT
15	50-65	5	029-21363-002	029-21363-002	029-21363-002	029-21363-003	029-21363-002	029-21363-003
15		7.5	029-21363-002	029-21363-002	029-21363-002	029-21363-004	029-21363-002	029-21363-004
15		10	029-21363-002	029-21363-002	029-21363-002	029-21363-004	029-21363-003	029-21363-004
15		15	029-21363-002	029-21363-002	029-21363-002	029-21363-005	029-21363-005	029-21363-005
15	70-85	5	029-21363-004	029-21363-002	029-21363-004	029-21363-003	029-21363-002	029-21363-003
15		7.5	029-21363-003	029-21363-002	029-21363-003	029-21363-004	029-21363-002	029-21363-004
15		10	029-21363-003	029-21363-002	029-21363-003	029-21363-004	029-21363-003	029-21363-004
15		15	029-21363-003	029-21363-003	029-21363-003	029-21363-005	029-21363-005	029-21363-005
15	90-105	5	029-21363-004	029-21363-002	029-21363-004	029-21363-003	029-21363-002	029-21363-003
15		7.5	029-21363-003	029-21363-002	029-21363-003	029-21363-004	029-21363-003	029-21363-004
15		10	029-21363-003	029-21363-002	029-21363-003	029-21363-005	029-21363-004	029-21363-005
15		15	029-21363-003	029-21363-003	029-21363-003	029-21363-006	029-21363-005	029-21363-006
15		20	029-21363-003	029-21363-003	029-21363-003	029-21363-006	029-21363-006	029-21363-006

TABLE 25 - RETURN FAN TWO-INCH SPRING ISOLATORS

FIG	UNIT SIZE	MOTOR HP	BLOWER LEFT	BLOWER MIDDLE	BLOWER RIGHT	MOTOR LEFT	MOTOR MIDDLE	MOTOR RIGHT
15	50-65	5	029-21330-603	029-21330-602	029-21330-603	029-21330-603	029-21330-602	029-21330-603
15		7.5	029-21330-603	029-21330-602	029-21330-603	029-21330-614	029-21330-603	029-21330-614
15		10	029-21330-603	029-21330-602	029-21330-603	029-21330-614	029-21330-614	029-21330-614
15		15	029-21330-603	029-21330-603	029-21330-603	029-21330-616	029-21330-616	029-21330-616
15	70-85	5	029-21330-614	029-21330-602	029-21330-614	029-21330-614	029-21330-602	029-21330-614
15		7.5	029-21330-614	029-21330-602	029-21330-614	029-21330-614	029-21330-603	029-21330-614
15		10	029-21330-614	029-21330-603	029-21330-614	029-21330-614	029-21330-614	029-21330-614
15		15	029-21330-603	029-21330-603	029-21330-603	029-21330-616	029-21330-616	029-21330-616
15	90-105	5	029-21330-614	029-21330-602	029-21330-614	029-21330-614	029-21330-602	029-21330-614
15		7.5	029-21330-614	029-21330-602	029-21330-614	029-21330-614	029-21330-603	029-21330-614
15		10	029-21330-614	029-21330-603	029-21330-614	029-21330-616	029-21330-614	029-21330-616
15		15	029-21330-603	029-21330-603	029-21330-603	029-21330-616	029-21330-616	029-21330-616
15		20	029-21330-603	029-21330-603	029-21330-603	029-21330-616	029-21330-616	029-21330-616

TABLE 26 - ISOATOR PART NUMBER IDENTIFICATION BY COLOR

ONE INCH SPRING ISOLATORS		TWO INCH SPRING ISOLATORS	
COLOR	PART NUMBER	COLOR	PART NUMBER
BLUE	029-21363-001	BLUE	029-21330-601
BLUE/PINK	029-21363-002	YELLOW	029-21330-602
BLUE/BLACK	029-21363-003	BLACK	029-21330-603
BLUE/BLUE	029-21363-004	GREEN	029-21330-614
BLACK	029-21363-005	RED	029-21330-616
BLACK/YELLOW	029-21363-006	RED/BLACK	029-21330-607
RED/BROWN	029-21363-008	RED/GREEN	029-21330-608



LD11790

FIG. 15 - RETURN FANS, MOTORS, ISOLATORS, AND DRIVE COMPONENTS

TABLE 27 - RETURN FAN DRIVES (50 - 65 TON)

MOTOR HP	NOM RPM	MOTOR PULLEY	MOTOR PULLEY BUSHING	BLOWER PULLEY	BLOWER PULLEY BUSHING	BELT QTY	BELT	DRIVE SPEED RPM	DRIVE CENTER DIST
5	1000	4.8X1B-SDS	SDSX1 1/8	8.6X1B-SDS	SDSX1 11/16	1	BX65	1012	22.79
		5.2X1B-SDS	SDSX1 1/8	9.4X1B-SDS	SDSX1 11/16	1	BX67	1001	22.83
		6.2X1B-SDS	SDSX1 1/8	11.0X1B-SDS	SDSX1 11/16	1	AX72	976	23.01
5	1100	4.8X1B-SDS	SDSX1 1/8	8.0X1B-SDS	SDSX1 11/16	1	BX64	1084	22.79
		5.0X1B-SDS	SDSX1 1/8	8.0X1B-SDS	SDSX1 11/16	1	BX64	1126	22.64
		5.2X1B-SDS	SDSX1 1/8	8.6X1B-SDS	SDSX1 11/16	1	BX66	1090	22.99
5	1200	4.8X1B-SDS	SDSX1 1/8	7.0X1B-SDS	SDSX1 11/16	1	BX62	1231	22.60
		4.8X1B-SDS	SDSX1 1/8	7.4X1B-SDS	SDSX1 11/16	1	BX63	1168	22.78
		5.0X1B-SDS	SDSX1 1/8	7.4X1B-SDS	SDSX1 11/16	1	BX63	1212	22.62
5	1300	4.8X1B-SDS	SDSX1 1/8	6.6X1B-SDS	SDSX1 11/16	1	BX62	1301	22.92
		4.8X1B-SDS	SDSX1 1/8	6.8X1B-SDS	SDSX1 11/16	1	BX62	1265	22.76
		5.0X1B-SDS	SDSX1 1/8	6.8X1B-SDS	SDSX1 11/16	1	BX62	1313	22.61
5	1400	4.8X1B-SDS	SDSX1 1/8	6.0X1B-SDS	SDSX1 11/16	1	BX61	1423	22.90
		4.8X1B-SDS	SDSX1 1/8	6.2X1B-SDS	SDSX1 11/16	1	BX61	1380	22.74
		5.0X1B-SDS	SDSX1 1/8	6.2X1B-SDS	SDSX1 11/16	1	BX62	1432	23.09
5	1500	4.8X1B-SDS	SDSX1 1/8	5.6X1B-SDS	SDSX1 11/16	1	BX60	1517	22.72
		4.8X1B-SDS	SDSX1 1/8	5.8X1B-SDS	SDSX1 11/16	1	BX61	1468	23.06
		5.0X1B-SDS	SDSX1 1/8	5.8X1B-SDS	SDSX1 11/16	1	BX61	1525	22.91
5	1600	4.8X1B-SDS	SDSX1 1/8	5.4X1B-SDS	SDSX1 11/16	1	BX60	1569	22.88
		5.0X1B-SDS	SDSX1 1/8	5.4X1B-SDS	SDSX1 11/16	1	BX60	1630	22.73
		5.0X1B-SDS	SDSX1 1/8	5.6X1B-SDS	SDSX1 11/16	1	BX61	1575	23.07
5	1700	5.0X1B-SDS	SDSX1 1/8	5.0X1B-SDS	SDSX1 11/16	1	BX60	1750	23.04
		5.0X1B-SDS	SDSX1 1/8	5.2X1B-SDS	SDSX1 11/16	1	BX60	1688	22.88
		5.2X1B-SDS	SDSX1 1/8	5.2X1B-SDS	SDSX1 11/16	1	BX60	1750	22.73
5	1800	5.0X1B-SDS	SDSX1 1/8	4.8X1B-SDS	SDSX1 11/16	1	BX59	1817	22.70
		5.0X1B-SDS	SDSX1 1/8	5.0X1B-SDS	SDSX1 11/16	1	BX60	1750	23.04
		5.2X1B-SDS	SDSX1 1/8	5.0X1B-SDS	SDSX1 11/16	1	BX60	1815	22.88
5	1900	5.2X1B-SDS	SDSX1 1/8	4.8X1B-SDS	SDSX1 11/16	1	BX60	1884	23.04
		5.4X1B-SDS	SDSX1 1/8	4.8X1B-SDS	SDSX1 11/16	1	BX60	1951	22.88
		5.4X1B-SDS	SDSX1 1/8	5.0X1B-SDS	SDSX1 11/16	1	BX60	1879	22.73
5	2000	5.2X1B-SDS	SDSX1 1/8	4.6X1B-SDS	SDSX1 11/16	1	BX59	1959	22.70
		5.4X1B-SDS	SDSX1 1/8	4.6X1B-SDS	SDSX1 11/16	1	BX60	2029	23.04
		5.4X1B-SDS	SDSX1 1/8	4.8X1B-SDS	SDSX1 11/16	1	BX60	1951	22.88
7.5	1000	6.2X1B-SDS	SDSX1 3/8	11.0X1B-SDS	SDSX1 11/16	1	BX73	1014	23.76
		6.8X1B-SDS	SDSX1 3/8	12.4X1B-SDS	SDSX1 11/16	1	BX76	985	23.65
		4.0X2B-SH	SHX1 3/8	7.4X2B-SK	SKX1 11/16	2	BX63	988	23.38
7.5	1100	6.6X1B-SDS	SDSX1 3/8	11.0X1B-SDS	SDSX1 11/16	1	BX73	1075	23.47
		6.8X1B-SDS	SDSX1 3/8	11.0X1B-SDS	SDSX1 11/16	1	BX73	1106	23.32
		4.0X2B-SH	SHX1 3/8	6.6X2B-SDS	SDSX1 11/16	2	BX62	1101	23.53
7.5	1200	6.2X1B-SDS	SDSX1 3/8	9.4X1B-SDS	SDSX1 11/16	1	BX70	1179	23.59
		6.4X1B-SDS	SDSX1 3/8	9.4X1B-SDS	SDSX1 11/16	1	BX70	1215	23.44
		4.0X2B-SH	SHX1 3/8	6.0X2B-SDS	SDSX1 11/16	2	BX61	1204	23.52

TABLE 27 - RETURN FAN DRIVES (50 - 65 TON) (CONT'D)

MOTOR HP	NOM RPM	MOTOR PULLEY	MOTOR PULLEY BUSHING	BLOWER PULLEY	BLOWER PULLEY BUSHING	BELT QTY	BELT	DRIVE SPEED RPM	DRIVE CENTER DIST
7.5	1300	6.2X1B-SDS	SDSX1 3/8	8.6X1B-SDS	SDSX1 11/16	1	BX69	1284	23.74
		6.4X1B-SDS	SDSX1 3/8	8.6X1B-SDS	SDSX1 11/16	1	BX69	1323	23.59
		6.8X1B-SDS	SDSX1 3/8	9.4X1B-SDS	SDSX1 11/16	1	BX71	1286	23.64
7.5	1400	6.2X1B-SDS	SDSX1 3/8	8.0X1B-SDS	SDSX1 11/16	1	BX68	1376	23.73
		6.4X1B-SDS	SDSX1 3/8	8.0X1B-SDS	SDSX1 11/16	1	BX68	1417	23.57
		6.6X1B-SDS	SDSX1 3/8	8.6X1B-SDS	SDSX1 11/16	1	BX69	1362	23.44
7.5	1500	6.2X1B-SDS	SDSX1 3/8	7.4X1B-SDS	SDSX1 11/16	1	BX67	1481	23.71
		6.4X1B-SDS	SDSX1 3/8	7.4X1B-SDS	SDSX1 11/16	1	BX67	1526	23.55
		6.6X1B-SDS	SDSX1 3/8	8.0X1B-SDS	SDSX1 11/16	1	BX68	1459	23.42
7.5	1600	6.2X1B-SDS	SDSX1 3/8	7.0X1B-SDS	SDSX1 11/16	1	BX66	1561	23.52
		6.4X1B-SDS	SDSX1 3/8	7.0X1B-SDS	SDSX1 11/16	1	BX66	1608	23.37
		6.6X1B-SDS	SDSX1 3/8	7.4X1B-SDS	SDSX1 11/16	1	BX67	1571	23.40
7.5	1700	6.4X1B-SDS	SDSX1 3/8	6.4X1B-SDS	SDSX1 11/16	1	BX65	1750	23.34
		6.4X1B-SDS	SDSX1 3/8	6.6X1B-SDS	SDSX1 11/16	1	BX66	1700	23.68
		6.4X1B-SDS	SDSX1 3/8	6.8X1B-SDS	SDSX1 11/16	1	BX66	1653	23.53
7.5	1800	6.4X1B-SDS	SDSX1 3/8	6.2X1B-SDS	SDSX1 11/16	1	BX65	1803	23.50
		6.4X1B-SDS	SDSX1 3/8	6.4X1B-SDS	SDSX1 11/16	1	BX65	1750	23.34
		6.6X1B-SDS	SDSX1 3/8	6.4X1B-SDS	SDSX1 11/16	1	BX66	1801	23.68
7.5	1900	6.6X1B-SDS	SDSX1 3/8	6.0X1B-SDS	SDSX1 11/16	1	BX65	1914	23.50
		6.6X1B-SDS	SDSX1 3/8	6.2X1B-SDS	SDSX1 11/16	1	BX65	1856	23.34
		6.8X1B-SDS	SDSX1 3/8	6.2X1B-SDS	SDSX1 11/16	1	BX66	1909	23.68
7.5	2000	6.8X1B-SDS	SDSX1 3/8	5.8X1B-SDS	SDSX1 11/16	1	BX65	2032	23.49
		6.8X1B-SDS	SDSX1 3/8	6.0X1B-SDS	SDSX1 11/16	1	BX65	1968	23.34
		7.0X1B-SDS	SDSX1 3/8	6.0X1B-SDS	SDSX1 11/16	1	BX66	2023	23.68
10	1000	4.8X2B-SDS	SDSX1 3/8	8.6X2B-SK	SKX1 11/16	2	BX67	1012	23.79
		5.2X2B-SDS	SDSX1 3/8	9.4X2B-SK	SKX1 11/16	2	BX68	1001	23.33
		4.8X2B-SDS	SDSX1 3/8	8.6X2LB-SF	SFX1 11/16	2	BX67	1012	23.79
10	1100	4.8X2B-SDS	SDSX1 3/8	8.0X2B-SK	SKX1 11/16	2	BX66	1084	23.79
		5.0X2B-SDS	SDSX1 3/8	8.0X2B-SK	SKX1 11/16	2	BX66	1126	23.64
		8.6X1B-SDS	SDSX1 3/8	13.6X1B-SDS	SDSX1 11/16	1	BX80	1126	23.33
10	1200	4.8X2B-SDS	SDSX1 3/8	7.0X2B-SK	SKX1 11/16	2	BX64	1231	23.60
		8.6X1B-SDS	SDSX1 3/8	12.4X1B-SDS	SDSX1 11/16	1	BX78	1231	23.32
		4.8X2B-SDS	SDSX1 3/8	7.4X2B-SK	SKX1 11/16	2	BX65	1168	23.78
10	1300	4.8X2B-SDS	SDSX1 3/8	6.8X2LB-SF	SFX2 11/16	2	BX64	1265	23.76
		5.0X2B-SDS	SDSX1 3/8	6.8X2LB-SF	SFX2 11/16	2	BX64	1313	23.61
		5.0X2B-SDS	SDSX1 3/8	7.0X2LB-SF	SFX2 11/16	2	BX64	1278	23.45
10	1400	4.8X2B-SDS	SDSX1 3/8	6.0X2B-SDS	SDSX1 11/16	2	BX62	1423	23.40
		4.8X2B-SDS	SDSX1 3/8	6.2X2B-SDS	SDSX1 11/16	2	BX63	1380	23.75
		5.0X2B-SDS	SDSX1 3/8	6.2X2B-SDS	SDSX1 11/16	2	BX63	1432	23.59
10	1500	8.0X1B-SDS	SDSX1 3/8	9.4X1B-SDS	SDSX1 11/16	1	BX73	1500	23.72
		4.8X2B-SDS	SDSX1 3/8	5.6X2B-SDS	SDSX1 11/16	2	BX62	1517	23.72
		4.8X2B-SDS	SDSX1 3/8	5.8X2B-SDS	SDSX1 11/16	2	BX62	1468	23.56

TABLE 27 - RETURN FAN DRIVES (50 - 65 TON) (CONT'D)

MOTOR HP	NOM RPM	MOTOR PULLEY	MOTOR PULLEY BUSHING	BLOWER PULLEY	BLOWER PULLEY BUSHING	BELT QTY	BELT	DRIVE SPEED RPM	DRIVE CENTER DIST
10	1600	8.0X1B-SDS	SDSX1 3/8	8.6X1B-SDS	SDSX1 11/16	1	BX71	1634	23.36
		8.6X1B-SDS	SDSX1 3/8	9.4X1B-SDS	SDSX1 11/16	1	BX74	1607	23.75
		4.8X2B-SDS	SDSX1 3/8	5.4X2B-SDS	SDSX1 11/16	2	BX61	1569	23.38
10	1700	8.0X1B-SDS	SDSX1 3/8	8.0X1B-SDS	SDSX1 11/16	1	BX70	1750	23.33
		8.6X1B-SDS	SDSX1 3/8	8.6X1B-SDS	SDSX1 11/16	1	BX72	1750	23.39
		5.0X2B-SDS	SDSX1 3/8	5.0X2B-SDS	SDSX1 11/16	2	BX61	1750	23.54
10	1800	8.0X1B-SDS	SDSX1 3/8	8.0X1B-SDS	SDSX1 11/16	1	BX70	1750	23.33
		8.6X1B-SDS	SDSX1 3/8	8.6X1B-SDS	SDSX1 11/16	1	BX72	1750	23.39
		5.0X2B-SDS	SDSX1 3/8	4.8X2B-SDS	SDSX1 11/16	2	BX61	1817	23.70
10	1900	8.6X1B-SDS	SDSX1 3/8	8.0X1B-SDS	SDSX1 11/16	1	BX71	1875	23.36
		5.2X2B-SDS	SDSX1 3/8	4.8X2B-SDS	SDSX1 11/16	2	BX61	1884	23.54
		9.4X1B-SDS	SDSX1 3/8	8.6X1B-SDS	SDSX1 11/16	1	BX74	1905	23.75
10	2000	8.6X1B-SDS	SDSX1 3/8	7.4X1B-SDS	SDSX1 11/16	1	BX70	2019	23.32
		9.4X1B-SDS	SDSX1 3/8	8.0X1B-SDS	SDSX1 11/16	1	BX73	2041	23.72
		5.2X2B-SDS	SDSX1 3/8	4.6X2B-SDS	SDSX1 11/16	2	BX61	1959	23.70
15	1000	8.0X1B-SDS	SDSX1 3/8	9.4X1B-SDS	SDSX1 11/16	1	BX73	1500	23.72
		4.8X2B-SDS	SDSX1 3/8	5.6X2B-SDS	SDSX1 11/16	2	BX62	1517	23.72
		4.8X2B-SDS	SDSX1 3/8	5.8X2B-SDS	SDSX1 11/16	2	BX62	1468	23.56
15	1100	6.6X2B-SDS	SDSX1 5/8	11.0X2B-SK	SKX1 11/16	2	BX75	1075	24.47
		6.8X2B-SDS	SDSX1 5/8	11.0X2B-SK	SKX1 11/16	2	BX75	1106	24.32
		6.6X2B-SDS	SDSX1 5/8	11.0X2LB-SF	SFX1 11/16	2	BX75	1075	24.47
15	1200	6.2X2B-SDS	SDSX1 5/8	9.4X2B-SK	SKX1 11/16	2	BX72	1179	24.59
		6.4X2B-SDS	SDSX1 5/8	9.4X2B-SK	SKX1 11/16	2	BX72	1215	24.44
		6.2X2B-SDS	SDSX1 5/8	9.4X2LB-SF	SFX1 11/16	2	BX72	1179	24.59
15	1300	6.2X2B-SDS	SDSX1 5/8	8.6X2B-SK	SKX1 11/16	2	BX71	1284	24.74
		6.4X2B-SDS	SDSX1 5/8	8.6X2B-SK	SKX1 11/16	2	BX71	1323	24.59
		6.8X2B-SDS	SDSX1 5/8	9.4X2B-SK	SKX1 11/16	2	BX73	1286	24.64
15	1400	6.2X2B-SDS	SDSX1 5/8	8.0X2B-SK	SKX1 11/16	2	BX70	1376	24.73
		6.4X2B-SDS	SDSX1 5/8	8.0X2B-SK	SKX1 11/16	2	BX70	1417	24.57
		6.6X2B-SDS	SDSX1 5/8	8.6X2B-SK	SKX1 11/16	2	BX71	1362	24.44
15	1500	6.2X2B-SDS	SDSX1 5/8	7.4X2B-SK	SKX1 11/16	2	BX69	1481	24.71
		6.4X2B-SDS	SDSX1 5/8	7.4X2B-SK	SKX1 11/16	2	BX69	1526	24.55
		6.6X2B-SDS	SDSX1 5/8	8.0X2B-SK	SKX1 11/16	2	BX70	1459	24.42
15	1600	6.2X2B-SDS	SDSX1 5/8	6.8X2B-SDS	SDSX1 11/16	2	BX68	1604	24.68
		6.2X2B-SDS	SDSX1 5/8	7.0X2B-SK	SKX1 11/16	2	BX68	1561	24.52
		6.4X2B-SDS	SDSX1 5/8	7.0X2B-SK	SKX1 11/16	2	BX68	1608	24.37
15	1700	6.4X2B-SDS	SDSX1 5/8	6.4X2B-SDS	SDSX1 11/16	2	BX67	1750	24.34
		6.4X2B-SDS	SDSX1 5/8	6.6X2B-SDS	SDSX1 11/16	2	BX68	1700	24.68
		6.4X2B-SDS	SDSX1 5/8	6.8X2B-SDS	SDSX1 11/16	2	BX68	1653	24.53
15	1800	6.4X2B-SDS	SDSX1 5/8	6.2X2B-SDS	SDSX1 11/16	2	BX67	1803	24.50
		6.4X2B-SDS	SDSX1 5/8	6.4X2B-SDS	SDSX1 11/16	2	BX67	1750	24.34
		6.6X2B-SDS	SDSX1 5/8	6.4X2B-SDS	SDSX1 11/16	2	BX68	1801	24.68

TABLE 27 - RETURN FAN DRIVES (50 - 65 TON) (CONT'D)

MOTOR HP	NOM RPM	MOTOR PULLEY	MOTOR PULLEY BUSHING	BLOWER PULLEY	BLOWER PULLEY BUSHING	BELT QTY	BELT	DRIVE SPEED RPM	DRIVE CENTER DIST
15	1900	6.6X2B-SDS	SDSX1 5/8	6.0X2B-SDS	SDSX1 11/16	2	BX67	1914	24.50
		6.6X2B-SDS	SDSX1 5/8	6.2X2B-SDS	SDSX1 11/16	2	BX67	1856	24.34
		6.8X2B-SDS	SDSX1 5/8	6.2X2B-SDS	SDSX1 11/16	2	BX68	1909	24.68
15	2000	6.6X2B-SDS	SDSX1 5/8	5.8X2B-SDS	SDSX1 11/16	2	BX67	1975	24.65
		6.8X2B-SDS	SDSX1 5/8	5.8X2B-SDS	SDSX1 11/16	2	BX67	2032	24.49
		6.8X2B-SDS	SDSX1 5/8	6.0X2B-SDS	SDSX1 11/16	2	BX67	1968	24.34

TABLE 28 - RETURN FAN REPLACEMENT PARTS

FIG	ITEM	RETURN FAN PART NUMBER	PART DESCRIPTION	QTY.	PART NUMBER
16	1	026-40562-000 (50-65 TON)	WHEEL	2	026-40658-000
16	2		SHAFT	1	029-22073-000
16	3		BEARING	3	029-22072-000
16	1	026-40562-001 (50-65 TON)	WHEEL	2	026-40659-000
16	2		SHAFT	1	029-22073-000
16	3		BEARING	3	029-22072-000
16	1	026-40563-000 (70-105 TON)	WHEEL	2	026-40656-000
16	2		SHAFT	1	029-22071-000
16	3		BEARING	3	029-22072-000
16	1	026-40563-001 (70-105 TON)	WHEEL	2	026-40657-000
16	2		SHAFT	1	029-22071-000
16	3		BEARING	3	029-22072-000

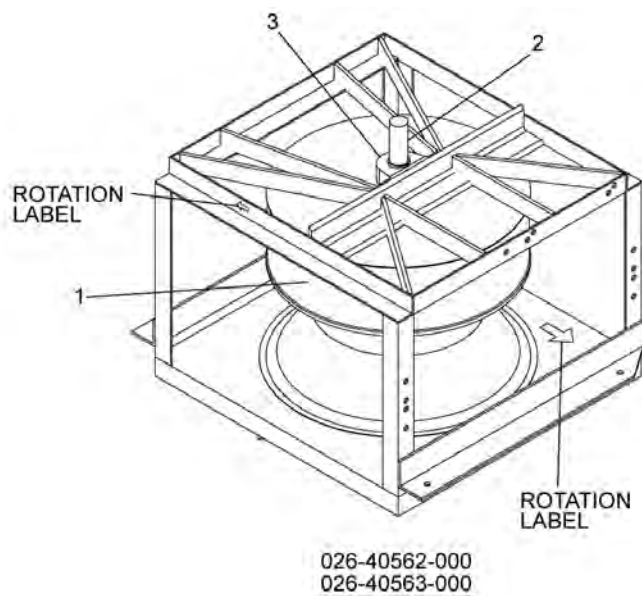
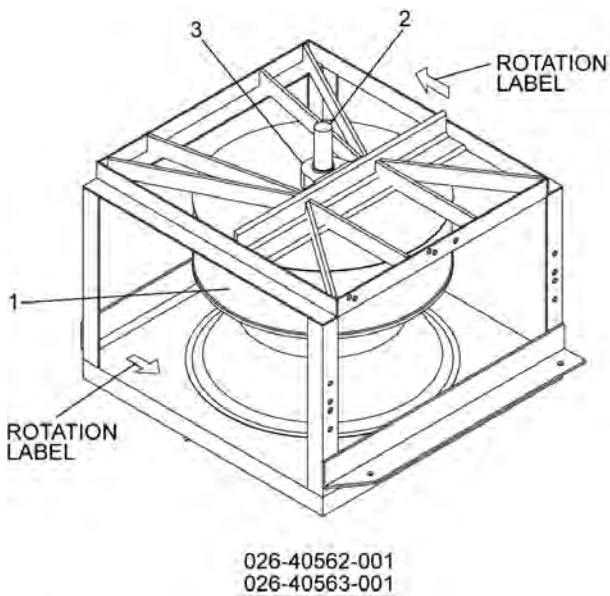


FIG. 16 - RETURN FAN REPLACEMENT PARTS

TABLE 29 - RETURN FAN DRIVES (70 - 80 TON)

MOTOR HP	NOM RPM	MOTOR PULLEY	MOTOR PULLEY BUSHING	BLOWER PULLEY	BLOWER PULLEY BUSHING	BELT QTY	BELT	DRIVE SPEED RPM	DRIVE CENTER DIST
5	1000	4.6X1B-SDS	SDSX1 1/8	8.6X1B-SDS	SDSX1 11/16	1	BX68	973	24.45
		4.8X1B-SDS	SDSX1 1/8	8.6X1B-SDS	SDSX1 11/16	1	BX68	1012	24.30
		5.2X1B-SDS	SDSX1 1/8	9.4X1B-SDS	SDSX1 11/16	1	BX70	1001	24.34
5	1100	4.8X1B-SDS	SDSX1 1/8	8.0X1B-SDS	SDSX1 11/16	1	BX67	1084	24.29
		5.0X1B-SDS	SDSX1 1/8	8.0X1B-SDS	SDSX1 11/16	1	BX67	1126	24.14
		5.2X1B-SDS	SDSX1 1/8	8.6X1B-SDS	SDSX1 11/16	1	BX69	1090	24.50
5	1200	4.8X1B-SDS	SDSX1 1/8	7.0X1B-SDS	SDSX1 11/16	1	BX65	1231	24.10
		4.8X1B-SDS	SDSX1 1/8	7.4X1B-SDS	SDSX1 11/16	1	BX66	1168	24.28
		5.0X1B-SDS	SDSX1 1/8	7.4X1B-SDS	SDSX1 11/16	1	BX66	1212	24.13
5	1300	4.8X1B-SDS	SDSX1 1/8	6.6X1B-SDS	SDSX1 11/16	1	BX65	1301	24.42
		4.8X1B-SDS	SDSX1 1/8	6.8X1B-SDS	SDSX1 11/16	1	BX65	1265	24.26
		5.0X1B-SDS	SDSX1 1/8	6.8X1B-SDS	SDSX1 11/16	1	BX65	1313	24.11
5	1400	4.8X1B-SDS	SDSX1 1/8	6.0X1B-SDS	SDSX1 11/16	1	BX64	1423	24.41
		4.8X1B-SDS	SDSX1 1/8	6.2X1B-SDS	SDSX1 11/16	1	BX64	1380	24.25
		5.0X1B-SDS	SDSX1 1/8	6.2X1B-SDS	SDSX1 11/16	1	BX65	1432	24.59
5	1500	4.8X1B-SDS	SDSX1 1/8	5.6X1B-SDS	SDSX1 11/16	1	BX63	1517	24.22
		4.8X1B-SDS	SDSX1 1/8	5.8X1B-SDS	SDSX1 11/16	1	BX64	1468	24.56
		5.0X1B-SDS	SDSX1 1/8	5.8X1B-SDS	SDSX1 11/16	1	BX64	1525	24.41
5	1600	4.8X1B-SDS	SDSX1 1/8	5.2X1B-SDS	SDSX1 11/16	1	BX63	1625	24.54
		4.8X1B-SDS	SDSX1 1/8	5.4X1B-SDS	SDSX1 11/16	1	BX63	1569	24.38
		5.0X1B-SDS	SDSX1 1/8	5.4X1B-SDS	SDSX1 11/16	1	BX63	1630	24.23
5	1700	5.0X1B-SDS	SDSX1 1/8	5.0X1B-SDS	SDSX1 11/16	1	BX63	1750	24.54
		5.0X1B-SDS	SDSX1 1/8	5.2X1B-SDS	SDSX1 11/16	1	BX63	1688	24.38
		5.2X1B-SDS	SDSX1 1/8	5.2X1B-SDS	SDSX1 11/16	1	BX63	1750	24.23
5	1800	5.0X1B-SDS	SDSX1 1/8	4.8X1B-SDS	SDSX1 11/16	1	BX62	1817	24.20
		5.0X1B-SDS	SDSX1 1/8	5.0X1B-SDS	SDSX1 11/16	1	BX63	1750	24.54
		5.2X1B-SDS	SDSX1 1/8	5.0X1B-SDS	SDSX1 11/16	1	BX63	1815	24.38
5	1900	5.2X1B-SDS	SDSX1 1/8	4.8X1B-SDS	SDSX1 11/16	1	BX63	1884	24.54
		5.4X1B-SDS	SDSX1 1/8	4.8X1B-SDS	SDSX1 11/16	1	BX63	1951	24.38
		5.4X1B-SDS	SDSX1 1/8	5.0X1B-SDS	SDSX1 11/16	1	BX63	1879	24.23
5	2000	5.2X1B-SDS	SDSX1 1/8	4.6X1B-SDS	SDSX1 11/16	1	BX62	1959	24.20
		5.4X1B-SDS	SDSX1 1/8	4.6X1B-SDS	SDSX1 11/16	1	BX63	2029	24.54
		5.4X1B-SDS	SDSX1 1/8	4.8X1B-SDS	SDSX1 11/16	1	BX63	1951	24.38
7.5	1000	6.2X1B-SDS	SDSX1 3/8	11.0X1B-SDS	SDSX1 11/16	1	BX76	1014	25.27
		3V4.5X2-SH	SHX1 3/8	3V8.0X2-SDS	SDSX1 11/16	2	3VX710	984	25.62
		6.8X1B-SDS	SDSX1 3/8	12.4X1B-SDS	SDSX1 11/16	1	BX79	985	25.16
7.5	1100	6.6X1B-SDS	SDSX1 3/8	11.0X1B-SDS	SDSX1 11/16	1	BX76	1075	24.98
		6.8X1B-SDS	SDSX1 3/8	11.0X1B-SDS	SDSX1 11/16	1	BX77	1106	25.33
		4.0X2B-SH	SHX1 3/8	6.6X2B-SDS	SDSX1 11/16	2	BX65	1101	25.04
7.5	1200	6.2X1B-SDS	SDSX1 3/8	9.4X1B-SDS	SDSX1 11/16	1	BX73	1179	25.09
		6.4X1B-SDS	SDSX1 3/8	9.4X1B-SDS	SDSX1 11/16	1	BX73	1215	24.94
		4.0X2B-SH	SHX1 3/8	6.0X2B-SDS	SDSX1 11/16	2	BX64	1204	25.02

TABLE 29 - RETURN FAN DRIVES (70 - 80 TON) (CONT'D)

MOTOR HP	NOM RPM	MOTOR PULLEY	MOTOR PULLEY BUSHING	BLOWER PULLEY	BLOWER PULLEY BUSHING	BELT QTY	BELT	DRIVE SPEED RPM	DRIVE CENTER DIST
7.5	1300	6.2X1B-SDS	SDSX1 3/8	8.6X1B-SDS	SDSX1 11/16	1	BX72	1284	25.24
		6.4X1B-SDS	SDSX1 3/8	8.6X1B-SDS	SDSX1 11/16	1	BX72	1323	25.09
		6.8X1B-SDS	SDSX1 3/8	9.4X1B-SDS	SDSX1 11/16	1	BX74	1286	25.14
7.5	1400	6.2X1B-SDS	SDSX1 3/8	8.0X1B-SDS	SDSX1 11/16	1	BX71	1376	25.23
		6.4X1B-SDS	SDSX1 3/8	8.0X1B-SDS	SDSX1 11/16	1	BX71	1417	25.07
		6.6X1B-SDS	SDSX1 3/8	8.6X1B-SDS	SDSX1 11/16	1	BX72	1362	24.94
7.5	1500	6.2X1B-SDS	SDSX1 3/8	7.4X1B-SDS	SDSX1 11/16	1	BX70	1481	25.21
		6.4X1B-SDS	SDSX1 3/8	7.4X1B-SDS	SDSX1 11/16	1	BX70	1526	25.05
		6.6X1B-SDS	SDSX1 3/8	8.0X1B-SDS	SDSX1 11/16	1	BX71	1459	24.92
7.5	1600	6.2X1B-SDS	SDSX1 3/8	6.8X1B-SDS	SDSX1 11/16	1	BX69	1604	25.18
		6.2X1B-SDS	SDSX1 3/8	7.0X1B-SDS	SDSX1 11/16	1	BX69	1561	25.02
		6.4X1B-SDS	SDSX1 3/8	7.0X1B-SDS	SDSX1 11/16	1	BX70	1608	25.37
7.5	1700	6.4X1B-SDS	SDSX1 3/8	6.4X1B-SDS	SDSX1 11/16	1	BX69	1750	25.34
		6.4X1B-SDS	SDSX1 3/8	6.6X1B-SDS	SDSX1 11/16	1	BX69	1700	25.18
		6.4X1B-SDS	SDSX1 3/8	6.8X1B-SDS	SDSX1 11/16	1	BX69	1653	25.03
7.5	1800	6.4X1B-SDS	SDSX1 3/8	6.2X1B-SDS	SDSX1 11/16	1	BX68	1803	25.00
		6.4X1B-SDS	SDSX1 3/8	6.4X1B-SDS	SDSX1 11/16	1	BX69	1750	25.34
		6.6X1B-SDS	SDSX1 3/8	6.4X1B-SDS	SDSX1 11/16	1	BX69	1801	25.18
7.5	1900	6.6X1B-SDS	SDSX1 3/8	6.0X1B-SDS	SDSX1 11/16	1	BX68	1914	25.00
		6.6X1B-SDS	SDSX1 3/8	6.2X1B-SDS	SDSX1 11/16	1	BX69	1856	25.34
		6.8X1B-SDS	SDSX1 3/8	6.2X1B-SDS	SDSX1 11/16	1	BX69	1909	25.18
7.5	2000	6.6X1B-SDS	SDSX1 3/8	5.8X1B-SDS	SDSX1 11/16	1	BX68	1975	25.15
		6.8X1B-SDS	SDSX1 3/8	5.8X1B-SDS	SDSX1 11/16	1	BX68	2032	24.99
		6.8X1B-SDS	SDSX1 3/8	6.0X1B-SDS	SDSX1 11/16	1	BX69	1968	25.34
10	1000	4.6X2B-SDS	SDSX1 3/8	8.6X2B-SK	SKX1 11/16	2	BX69	973	24.95
		4.8X2B-SDS	SDSX1 3/8	8.6X2B-SK	SKX1 11/16	2	BX70	1012	25.30
		5.2X2B-SDS	SDSX1 3/8	9.4X2B-SK	SKX1 11/16	2	BX72	1001	25.34
10	1100	4.6X2B-SDS	SDSX1 3/8	7.4X2B-SK	SKX1 11/16	2	BX67	1123	24.93
		4.8X2B-SDS	SDSX1 3/8	8.0X2B-SK	SKX1 11/16	2	BX69	1084	25.29
		5.0X2B-SDS	SDSX1 3/8	8.0X2B-SK	SKX1 11/16	2	BX69	1126	25.14
10	1200	4.6X2B-SDS	SDSX1 3/8	7.0X2B-SK	SKX1 11/16	2	BX67	1183	25.26
		4.8X2B-SDS	SDSX1 3/8	7.0X2B-SK	SKX1 11/16	2	BX67	1231	25.10
		8.6X1B-SDS	SDSX1 3/8	12.4X1B-SDS	SDSX1 11/16	1	BX82	1231	25.33
10	1300	8.0X1B-SDS	SDSX1 3/8	11.0X1B-SDS	SDSX1 11/16	1	BX78	1290	24.93
		4.8X2B-SDS	SDSX1 3/8	6.6X2B-SDS	SDSX1 11/16	2	BX66	1301	24.93
		4.8X2B-SDS	SDSX1 3/8	6.8X2B-SDS	SDSX1 11/16	2	BX67	1265	25.26
10	1400	4.8X2B-SDS	SDSX1 3/8	6.0X2B-SDS	SDSX1 11/16	2	BX65	1423	24.91
		4.8X2B-SDS	SDSX1 3/8	6.2X2B-SDS	SDSX1 11/16	2	BX66	1380	25.25
		8.6X1B-SDS	SDSX1 3/8	11.0X1B-SDS	SDSX1 11/16	1	BX79	1382	24.97
10	1500	8.0X1B-SDS	SDSX1 3/8	9.4X1B-SDS	SDSX1 11/16	1	BX76	1500	25.22
		4.8X2B-SDS	SDSX1 3/8	5.6X2B-SDS	SDSX1 11/16	2	BX65	1517	25.22
		4.8X2B-SDS	SDSX1 3/8	5.8X2B-SDS	SDSX1 11/16	2	BX65	1468	25.06

TABLE 29 - RETURN FAN DRIVES (70 - 80 TON) (CONT'D)

MOTOR HP	NOM RPM	MOTOR PULLEY	MOTOR PULLEY BUSHING	BLOWER PULLEY	BLOWER PULLEY BUSHING	BELT QTY	BELT	DRIVE SPEED RPM	DRIVE CENTER DIST
10	1600	8.0X1B-SDS	SDSX1 3/8	8.6X1B-SDS	SDSX1 11/16	1	BX75	1634	25.36
		8.6X1B-SDS	SDSX1 3/8	9.4X1B-SDS	SDSX1 11/16	1	BX77	1607	25.25
		4.8X2B-SDS	SDSX1 3/8	5.2X2B-SDS	SDSX1 11/16	2	BX64	1625	25.04
10	1700	8.0X1B-SDS	SDSX1 3/8	8.0X1B-SDS	SDSX1 11/16	1	BX74	1750	25.33
		8.6X1B-SDS	SDSX1 3/8	8.6X1B-SDS	SDSX1 11/16	1	BX76	1750	25.39
		5.0X2B-SDS	SDSX1 3/8	5.0X2B-SDS	SDSX1 11/16	2	BX64	1750	25.04
10	1800	8.0X1B-SDS	SDSX1 3/8	8.0X1B-SDS	SDSX1 11/16	1	BX74	1750	25.33
		8.6X1B-SDS	SDSX1 3/8	8.6X1B-SDS	SDSX1 11/16	1	BX76	1750	25.39
		5.0X2B-SDS	SDSX1 3/8	4.8X2B-SDS	SDSX1 11/16	2	BX64	1817	25.20
10	1900	8.0X1B-SDS	SDSX1 3/8	7.4X1B-SDS	SDSX1 11/16	1	BX73	1884	25.30
		8.6X1B-SDS	SDSX1 3/8	8.0X1B-SDS	SDSX1 11/16	1	BX75	1875	25.36
		9.4X1B-SDS	SDSX1 3/8	8.6X1B-SDS	SDSX1 11/16	1	BX77	1905	25.25
10	2000	8.6X1B-SDS	SDSX1 3/8	7.4X1B-SDS	SDSX1 11/16	1	BX74	2019	25.32
		9.4X1B-SDS	SDSX1 3/8	8.0X1B-SDS	SDSX1 11/16	1	BX76	2041	25.22
		5.2X2B-SDS	SDSX1 3/8	4.6X2B-SDS	SDSX1 11/16	2	BX64	1959	25.20
15	1000	6.0X2B-SDS	SDSX1 5/8	11.0X2B-SK	SKX1 11/16	2	BX77	983	25.92
		6.2X2B-SDS	SDSX1 5/8	11.0X2B-SK	SKX1 11/16	2	BX78	1014	26.28
		6.8X2B-SDS	SDSX1 5/8	12.4X2B-SK	SKX1 11/16	2	BX81	985	26.17
15	1100	6.6X2B-SDS	SDSX1 5/8	11.0X2B-SK	SKX1 11/16	2	BX78	1075	25.98
		6.8X2B-SDS	SDSX1 5/8	11.0X2B-SK	SKX1 11/16	2	BX78	1106	25.83
		6.6X2B-SDS	SDSX1 5/8	11.0X2LB-SF	SFX1 11/16	2	BX78	1075	25.98
15	1200	6.2X2B-SDS	SDSX1 5/8	9.4X2B-SK	SKX1 11/16	2	BX75	1179	26.09
		6.4X2B-SDS	SDSX1 5/8	9.4X2B-SK	SKX1 11/16	2	BX75	1215	25.94
		6.2X2B-SDS	SDSX1 5/8	9.4X2LB-SF	SFX1 11/16	2	BX75	1179	26.09
15	1300	6.2X2B-SDS	SDSX1 5/8	8.6X2B-SK	SKX1 11/16	2	BX74	1284	26.24
		6.4X2B-SDS	SDSX1 5/8	8.6X2B-SK	SKX1 11/16	2	BX74	1323	26.09
		6.8X2B-SDS	SDSX1 5/8	9.4X2B-SK	SKX1 11/16	2	BX76	1286	26.14
15	1400	6.2X2B-SDS	SDSX1 5/8	8.0X2B-SK	SKX1 11/16	2	BX73	1376	26.23
		6.4X2B-SDS	SDSX1 5/8	8.0X2B-SK	SKX1 11/16	2	BX73	1417	26.07
		6.6X2B-SDS	SDSX1 5/8	8.6X2B-SK	SKX1 11/16	2	BX74	1362	25.94
15	1500	6.2X2B-SDS	SDSX1 5/8	7.4X2B-SK	SKX1 11/16	2	BX72	1481	26.21
		6.4X2B-SDS	SDSX1 5/8	7.4X2B-SK	SKX1 11/16	2	BX72	1526	26.05
		6.6X2B-SDS	SDSX1 5/8	8.0X2B-SK	SKX1 11/16	2	BX73	1459	25.92
15	1600	6.2X2B-SDS	SDSX1 5/8	6.8X2B-SDS	SDSX1 11/16	2	BX71	1604	26.18
		6.2X2B-SDS	SDSX1 5/8	7.0X2B-SK	SKX1 11/16	2	BX71	1561	26.02
		6.4X2B-SDS	SDSX1 5/8	7.0X2B-SK	SKX1 11/16	2	BX71	1608	25.87
15	1700	6.2X2B-SDS	SDSX1 5/8	6.6X2B-SDS	SDSX1 11/16	2	BX70	1650	25.84
		6.4X2B-SDS	SDSX1 5/8	6.4X2B-SDS	SDSX1 11/16	2	BX70	1750	25.84
		6.4X2B-SDS	SDSX1 5/8	6.6X2B-SDS	SDSX1 11/16	2	BX71	1700	26.18
15	1800	6.4X2B-SDS	SDSX1 5/8	6.2X2B-SDS	SDSX1 11/16	2	BX70	1803	26.00
		6.4X2B-SDS	SDSX1 5/8	6.4X2B-SDS	SDSX1 11/16	2	BX70	1750	25.84
		6.6X2B-SDS	SDSX1 5/8	6.4X2B-SDS	SDSX1 11/16	2	BX71	1801	26.18

TABLE 29 - RETURN FAN DRIVES (70 - 80 TON) (CONT'D)

MOTOR HP	NOM RPM	MOTOR PULLEY	MOTOR PULLEY BUSHING	BLOWER PULLEY	BLOWER PULLEY BUSHING	BELT QTY	BELT	DRIVE SPEED RPM	DRIVE CENTER DIST
15	1900	6.4X2B-SDS	SDSX1 5/8	6.0X2B-SDS	SDSX1 11/16	2	BX70	1859	26.16
		6.6X2B-SDS	SDSX1 5/8	6.0X2B-SDS	SDSX1 11/16	2	BX70	1914	26.00
		6.6X2B-SDS	SDSX1 5/8	6.2X2B-SDS	SDSX1 11/16	2	BX70	1856	25.84
15	2000	6.6X2B-SDS	SDSX1 5/8	5.8X2B-SDS	SDSX1 11/16	2	BX70	1975	26.15
		6.8X2B-SDS	SDSX1 5/8	5.8X2B-SDS	SDSX1 11/16	2	BX70	2032	25.99
		6.8X2B-SDS	SDSX1 5/8	6.0X2B-SDS	SDSX1 11/16	2	BX70	1968	25.84

TABLE 30 - RETURN FAN DRIVES (90 - 105 TON)

MOTOR HP	NOM RPM	MOTOR PULLEY	MOTOR PULLEY BUSHING	BLOWER PULLEY	BLOWER PULLEY BUSHING	BELT QTY	BELT	DRIVE SPEED RPM	DRIVE CENTER DIST
5	1000	4.6X1B-SDS	SDSX1 1/8	8.6X1B-SDS	SDSX1 11/16	1	BX68	973	24.45
		4.8X1B-SDS	SDSX1 1/8	8.6X1B-SDS	SDSX1 11/16	1	BX68	1012	24.30
		5.2X1B-SDS	SDSX1 1/8	9.4X1B-SDS	SDSX1 11/16	1	BX70	1001	24.34
5	1100	4.8X1B-SDS	SDSX1 1/8	8.0X1B-SDS	SDSX1 11/16	1	BX67	1084	24.29
		5.0X1B-SDS	SDSX1 1/8	8.0X1B-SDS	SDSX1 11/16	1	BX67	1126	24.14
		5.2X1B-SDS	SDSX1 1/8	8.6X1B-SDS	SDSX1 11/16	1	BX69	1090	24.50
5	1200	4.8X1B-SDS	SDSX1 1/8	7.0X1B-SDS	SDSX1 11/16	1	BX65	1231	24.10
		4.8X1B-SDS	SDSX1 1/8	7.4X1B-SDS	SDSX1 11/16	1	BX66	1168	24.28
		5.0X1B-SDS	SDSX1 1/8	7.4X1B-SDS	SDSX1 11/16	1	BX66	1212	24.13
5	1300	4.8X1B-SDS	SDSX1 1/8	6.6X1B-SDS	SDSX1 11/16	1	BX65	1301	24.42
		4.8X1B-SDS	SDSX1 1/8	6.8X1B-SDS	SDSX1 11/16	1	BX65	1265	24.26
		5.0X1B-SDS	SDSX1 1/8	6.8X1B-SDS	SDSX1 11/16	1	BX65	1313	24.11
5	1400	4.8X1B-SDS	SDSX1 1/8	6.0X1B-SDS	SDSX1 11/16	1	BX64	1423	24.41
		4.8X1B-SDS	SDSX1 1/8	6.2X1B-SDS	SDSX1 11/16	1	BX64	1380	24.25
		5.0X1B-SDS	SDSX1 1/8	6.2X1B-SDS	SDSX1 11/16	1	BX65	1432	24.59
5	1500	4.8X1B-SDS	SDSX1 1/8	5.6X1B-SDS	SDSX1 11/16	1	BX63	1517	24.22
		4.8X1B-SDS	SDSX1 1/8	5.8X1B-SDS	SDSX1 11/16	1	BX64	1468	24.56
		5.0X1B-SDS	SDSX1 1/8	5.8X1B-SDS	SDSX1 11/16	1	BX64	1525	24.41
5	1600	4.8X1B-SDS	SDSX1 1/8	5.2X1B-SDS	SDSX1 11/16	1	BX63	1625	24.54
		4.8X1B-SDS	SDSX1 1/8	5.4X1B-SDS	SDSX1 11/16	1	BX63	1569	24.38
		5.0X1B-SDS	SDSX1 1/8	5.4X1B-SDS	SDSX1 11/16	1	BX63	1630	24.23
5	1700	5.0X1B-SDS	SDSX1 1/8	5.0X1B-SDS	SDSX1 11/16	1	BX63	1750	24.54
		5.0X1B-SDS	SDSX1 1/8	5.2X1B-SDS	SDSX1 11/16	1	BX63	1688	24.38
		5.2X1B-SDS	SDSX1 1/8	5.2X1B-SDS	SDSX1 11/16	1	BX63	1750	24.23
5	1800	5.0X1B-SDS	SDSX1 1/8	4.8X1B-SDS	SDSX1 11/16	1	BX62	1817	24.20
		5.0X1B-SDS	SDSX1 1/8	5.0X1B-SDS	SDSX1 11/16	1	BX63	1750	24.54
		5.2X1B-SDS	SDSX1 1/8	5.0X1B-SDS	SDSX1 11/16	1	BX63	1815	24.38
5	1900	5.2X1B-SDS	SDSX1 1/8	4.8X1B-SDS	SDSX1 11/16	1	BX63	1884	24.54
		5.4X1B-SDS	SDSX1 1/8	4.8X1B-SDS	SDSX1 11/16	1	BX63	1951	24.38
		5.4X1B-SDS	SDSX1 1/8	5.0X1B-SDS	SDSX1 11/16	1	BX63	1879	24.23

TABLE 30 - RETURN FAN DRIVES (90 - 105 TON) (CONT'D)

MOTOR HP	NOM RPM	MOTOR PULLEY	MOTOR PULLEY BUSHING	BLOWER PULLEY	BLOWER PULLEY BUSHING	BELT QTY	BELT	DRIVE SPEED RPM	DRIVE CENTER DIST
5	2000	5.2X1B-SDS	SDSX1 1/8	4.6X1B-SDS	SDSX1 11/16	1	BX62	1959	24.20
		5.4X1B-SDS	SDSX1 1/8	4.6X1B-SDS	SDSX1 11/16	1	BX63	2029	24.54
		5.4X1B-SDS	SDSX1 1/8	4.8X1B-SDS	SDSX1 11/16	1	BX63	1951	24.38
7.5	1000	6.2X1B-SDS	SDSX1 3/8	11.0X1B-SDS	SDSX1 11/16	1	BX76	1014	25.27
		3V4.5X2-SH	SHX1 3/8	3V8.0X2-SDS	SDSX1 11/16	2	3VX710	984	25.62
		6.8X1B-SDS	SDSX1 3/8	12.4X1B-SDS	SDSX1 11/16	1	BX79	985	25.16
7.5	1100	6.6X1B-SDS	SDSX1 3/8	11.0X1B-SDS	SDSX1 11/16	1	BX76	1075	24.98
		6.8X1B-SDS	SDSX1 3/8	11.0X1B-SDS	SDSX1 11/16	1	BX77	1106	25.33
		4.0X2B-SH	SHX1 3/8	6.6X2B-SDS	SDSX1 11/16	2	BX65	1101	25.04
7.5	1200	6.2X1B-SDS	SDSX1 3/8	9.4X1B-SDS	SDSX1 11/16	1	BX73	1179	25.09
		6.4X1B-SDS	SDSX1 3/8	9.4X1B-SDS	SDSX1 11/16	1	BX73	1215	24.94
		4.0X2B-SH	SHX1 3/8	6.0X2B-SDS	SDSX1 11/16	2	BX64	1204	25.02
7.5	1300	6.2X1B-SDS	SDSX1 3/8	8.6X1B-SDS	SDSX1 11/16	1	BX72	1284	25.24
		6.4X1B-SDS	SDSX1 3/8	8.6X1B-SDS	SDSX1 11/16	1	BX72	1323	25.09
		6.8X1B-SDS	SDSX1 3/8	9.4X1B-SDS	SDSX1 11/16	1	BX74	1286	25.14
7.5	1400	6.2X1B-SDS	SDSX1 3/8	8.0X1B-SDS	SDSX1 11/16	1	BX71	1376	25.23
		6.4X1B-SDS	SDSX1 3/8	8.0X1B-SDS	SDSX1 11/16	1	BX71	1417	25.07
		6.6X1B-SDS	SDSX1 3/8	8.6X1B-SDS	SDSX1 11/16	1	BX72	1362	24.94
7.5	1500	6.2X1B-SDS	SDSX1 3/8	7.4X1B-SDS	SDSX1 11/16	1	BX70	1481	25.21
		6.4X1B-SDS	SDSX1 3/8	7.4X1B-SDS	SDSX1 11/16	1	BX70	1526	25.05
		6.6X1B-SDS	SDSX1 3/8	8.0X1B-SDS	SDSX1 11/16	1	BX71	1459	24.92
7.5	1600	6.2X1B-SDS	SDSX1 3/8	6.8X1B-SDS	SDSX1 11/16	1	BX69	1604	25.18
		6.2X1B-SDS	SDSX1 3/8	7.0X1B-SDS	SDSX1 11/16	1	BX69	1561	25.02
		6.4X1B-SDS	SDSX1 3/8	7.0X1B-SDS	SDSX1 11/16	1	BX70	1608	25.37
7.5	1700	6.4X1B-SDS	SDSX1 3/8	6.4X1B-SDS	SDSX1 11/16	1	BX69	1750	25.34
		6.4X1B-SDS	SDSX1 3/8	6.6X1B-SDS	SDSX1 11/16	1	BX69	1700	25.18
		6.4X1B-SDS	SDSX1 3/8	6.8X1B-SDS	SDSX1 11/16	1	BX69	1653	25.03
7.5	1800	6.4X1B-SDS	SDSX1 3/8	6.2X1B-SDS	SDSX1 11/16	1	BX68	1803	25.00
		6.4X1B-SDS	SDSX1 3/8	6.4X1B-SDS	SDSX1 11/16	1	BX69	1750	25.34
		6.6X1B-SDS	SDSX1 3/8	6.4X1B-SDS	SDSX1 11/16	1	BX69	1801	25.18
7.5	1900	6.6X1B-SDS	SDSX1 3/8	6.0X1B-SDS	SDSX1 11/16	1	BX68	1914	25.00
		6.6X1B-SDS	SDSX1 3/8	6.2X1B-SDS	SDSX1 11/16	1	BX69	1856	25.34
		6.8X1B-SDS	SDSX1 3/8	6.2X1B-SDS	SDSX1 11/16	1	BX69	1909	25.18
7.5	2000	6.6X1B-SDS	SDSX1 3/8	5.8X1B-SDS	SDSX1 11/16	1	BX68	1975	25.15
		6.8X1B-SDS	SDSX1 3/8	5.8X1B-SDS	SDSX1 11/16	1	BX68	2032	24.99
		6.8X1B-SDS	SDSX1 3/8	6.0X1B-SDS	SDSX1 11/16	1	BX69	1968	25.34
10	1000	4.6X2B-SDS	SDSX1 3/8	8.6X2B-SK	SKX1 11/16	2	BX69	973	24.95
		4.8X2B-SDS	SDSX1 3/8	8.6X2B-SK	SKX1 11/16	2	BX70	1012	25.30
		5.2X2B-SDS	SDSX1 3/8	9.4X2B-SK	SKX1 11/16	2	BX72	1001	25.34
10	1100	4.6X2B-SDS	SDSX1 3/8	7.4X2B-SK	SKX1 11/16	2	BX67	1123	24.93
		4.8X2B-SDS	SDSX1 3/8	8.0X2B-SK	SKX1 11/16	2	BX69	1084	25.29
		5.0X2B-SDS	SDSX1 3/8	8.0X2B-SK	SKX1 11/16	2	BX69	1126	25.14

TABLE 30 - RETURN FAN DRIVES (90 - 105 TON) (CONT'D)

MOTOR HP	NOM RPM	MOTOR PULLEY	MOTOR PULLEY BUSHING	BLOWER PULLEY	BLOWER PULLEY BUSHING	BELT QTY	BELT	DRIVE SPEED RPM	DRIVE CENTER DIST
10	1200	4.6X2B-SDS	SDSX1 3/8	7.0X2B-SK	SKX1 11/16	2	BX67	1183	25.26
		4.8X2B-SDS	SDSX1 3/8	7.0X2B-SK	SKX1 11/16	2	BX67	1231	25.10
		8.6X1B-SDS	SDSX1 3/8	12.4X1B-SDS	SDSX1 11/16	1	BX82	1231	25.33
10	1300	8.0X1B-SDS	SDSX1 3/8	11.0X1B-SDS	SDSX1 11/16	1	BX78	1290	24.93
		4.8X2B-SDS	SDSX1 3/8	6.6X2B-SDS	SDSX1 11/16	2	BX66	1301	24.93
		4.8X2B-SDS	SDSX1 3/8	6.8X2B-SDS	SDSX1 11/16	2	BX67	1265	25.26
10	1400	4.8X2B-SDS	SDSX1 3/8	6.0X2B-SDS	SDSX1 11/16	2	BX65	1423	24.91
		4.8X2B-SDS	SDSX1 3/8	6.2X2B-SDS	SDSX1 11/16	2	BX66	1380	25.25
		8.6X1B-SDS	SDSX1 3/8	11.0X1B-SDS	SDSX1 11/16	1	BX79	1382	24.97
10	1500	8.0X1B-SDS	SDSX1 3/8	9.4X1B-SDS	SDSX1 11/16	1	BX76	1500	25.22
		4.8X2B-SDS	SDSX1 3/8	5.6X2B-SDS	SDSX1 11/16	2	BX65	1517	25.22
		4.8X2B-SDS	SDSX1 3/8	5.8X2B-SDS	SDSX1 11/16	2	BX65	1468	25.06
10	1600	8.0X1B-SDS	SDSX1 3/8	8.6X1B-SDS	SDSX1 11/16	1	BX75	1634	25.36
		8.6X1B-SDS	SDSX1 3/8	9.4X1B-SDS	SDSX1 11/16	1	BX77	1607	25.25
		4.8X2B-SDS	SDSX1 3/8	5.2X2B-SDS	SDSX1 11/16	2	BX64	1625	25.04
10	1700	8.0X1B-SDS	SDSX1 3/8	8.0X1B-SDS	SDSX1 11/16	1	BX74	1750	25.33
		8.6X1B-SDS	SDSX1 3/8	8.6X1B-SDS	SDSX1 11/16	1	BX76	1750	25.39
		5.0X2B-SDS	SDSX1 3/8	5.0X2B-SDS	SDSX1 11/16	2	BX64	1750	25.04
10	1800	8.0X1B-SDS	SDSX1 3/8	8.0X1B-SDS	SDSX1 11/16	1	BX74	1750	25.33
		8.6X1B-SDS	SDSX1 3/8	8.6X1B-SDS	SDSX1 11/16	1	BX76	1750	25.39
		5.0X2B-SDS	SDSX1 3/8	4.8X2B-SDS	SDSX1 11/16	2	BX64	1817	25.20
10	1900	8.0X1B-SDS	SDSX1 3/8	7.4X1B-SDS	SDSX1 11/16	1	BX73	1884	25.30
		8.6X1B-SDS	SDSX1 3/8	8.0X1B-SDS	SDSX1 11/16	1	BX75	1875	25.36
		9.4X1B-SDS	SDSX1 3/8	8.6X1B-SDS	SDSX1 11/16	1	BX77	1905	25.25
10	2000	8.6X1B-SDS	SDSX1 3/8	7.4X1B-SDS	SDSX1 11/16	1	BX74	2019	25.32
		9.4X1B-SDS	SDSX1 3/8	8.0X1B-SDS	SDSX1 11/16	1	BX76	2041	25.22
		5.2X2B-SDS	SDSX1 3/8	4.6X2B-SDS	SDSX1 11/16	2	BX64	1959	25.20
15	1000	6.0X2B-SDS	SDSX1 5/8	11.0X2B-SK	SKX1 11/16	2	BX77	983	25.92
		6.2X2B-SDS	SDSX1 5/8	11.0X2B-SK	SKX1 11/16	2	BX78	1014	26.28
		6.8X2B-SDS	SDSX1 5/8	12.4X2B-SK	SKX1 11/16	2	BX81	985	26.17
15	1100	6.6X2B-SDS	SDSX1 5/8	11.0X2B-SK	SKX1 11/16	2	BX78	1075	25.98
		6.8X2B-SDS	SDSX1 5/8	11.0X2B-SK	SKX1 11/16	2	BX78	1106	25.83
		6.6X2B-SDS	SDSX1 5/8	11.0X2LB-SF	SFX1 11/16	2	BX78	1075	25.98
15	1200	6.2X2B-SDS	SDSX1 5/8	9.4X2B-SK	SKX1 11/16	2	BX75	1179	26.09
		6.4X2B-SDS	SDSX1 5/8	9.4X2B-SK	SKX1 11/16	2	BX75	1215	25.94
		6.2X2B-SDS	SDSX1 5/8	9.4X2LB-SF	SFX1 11/16	2	BX75	1179	26.09
15	1300	6.2X2B-SDS	SDSX1 5/8	8.6X2B-SK	SKX1 11/16	2	BX74	1284	26.24
		6.4X2B-SDS	SDSX1 5/8	8.6X2B-SK	SKX1 11/16	2	BX74	1323	26.09
		6.8X2B-SDS	SDSX1 5/8	9.4X2B-SK	SKX1 11/16	2	BX76	1286	26.14
15	1400	6.2X2B-SDS	SDSX1 5/8	8.0X2B-SK	SKX1 11/16	2	BX73	1376	26.23
		6.4X2B-SDS	SDSX1 5/8	8.0X2B-SK	SKX1 11/16	2	BX73	1417	26.07
		6.6X2B-SDS	SDSX1 5/8	8.6X2B-SK	SKX1 11/16	2	BX74	1362	25.94

TABLE 30 - RETURN FAN DRIVES (90 - 105 TON) (CONT'D)

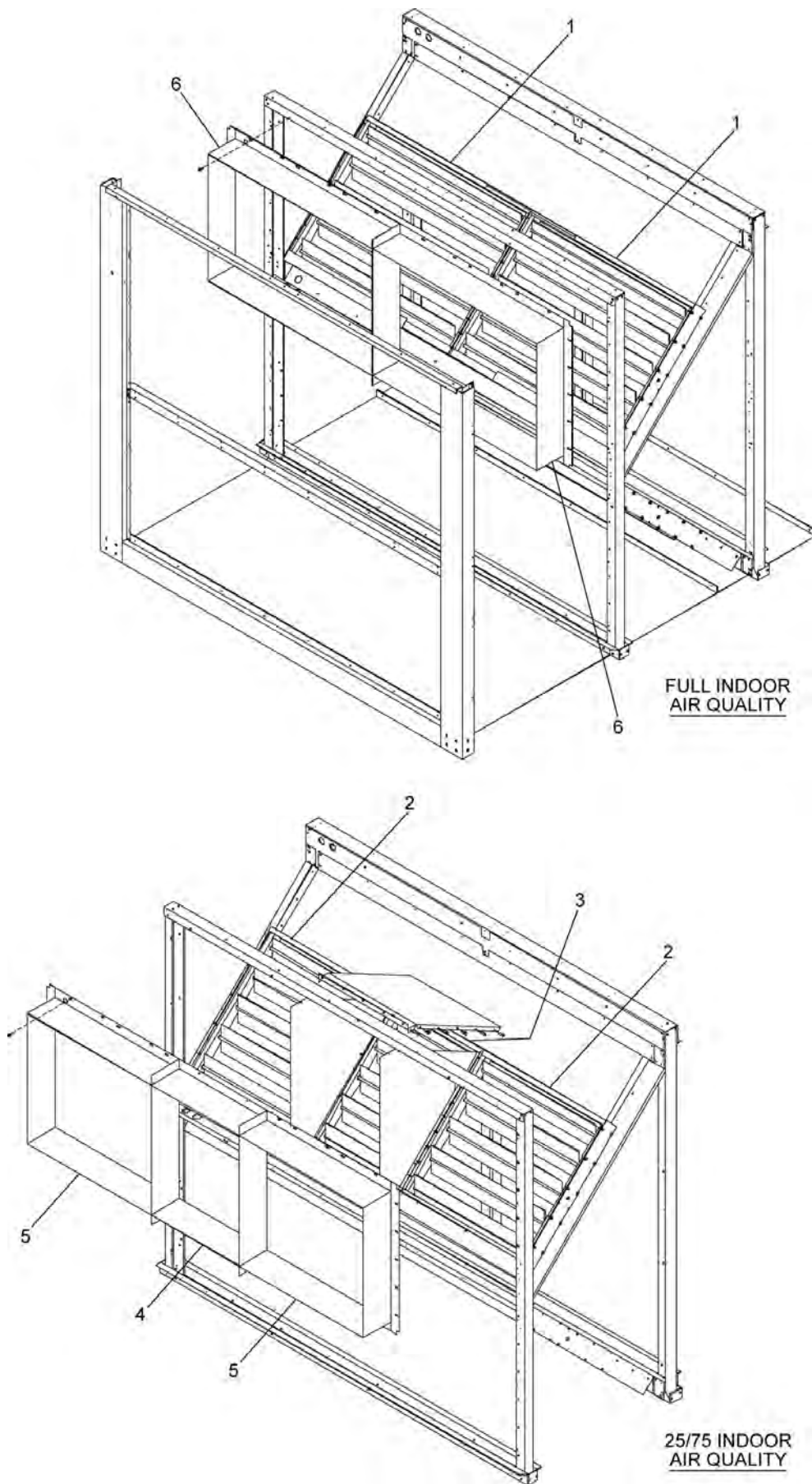
MOTOR HP	NOM RPM	MOTOR PULLEY	MOTOR PULLEY BUSHING	BLOWER PULLEY	BLOWER PULLEY BUSHING	BELT QTY	BELT	DRIVE SPEED RPM	DRIVE CENTER DIST
15	1500	6.2X2B-SDS	SDSX1 5/8	7.4X2B-SK	SKX1 11/16	2	BX72	1481	26.21
		6.4X2B-SDS	SDSX1 5/8	7.4X2B-SK	SKX1 11/16	2	BX72	1526	26.05
		6.6X2B-SDS	SDSX1 5/8	8.0X2B-SK	SKX1 11/16	2	BX73	1459	25.92
15	1600	6.2X2B-SDS	SDSX1 5/8	6.8X2B-SDS	SDSX1 11/16	2	BX71	1604	26.18
		6.2X2B-SDS	SDSX1 5/8	7.0X2B-SK	SKX1 11/16	2	BX71	1561	26.02
		6.4X2B-SDS	SDSX1 5/8	7.0X2B-SK	SKX1 11/16	2	BX71	1608	25.87
15	1700	6.2X2B-SDS	SDSX1 5/8	6.6X2B-SDS	SDSX1 11/16	2	BX70	1650	25.84
		6.4X2B-SDS	SDSX1 5/8	6.4X2B-SDS	SDSX1 11/16	2	BX70	1750	25.84
		6.4X2B-SDS	SDSX1 5/8	6.6X2B-SDS	SDSX1 11/16	2	BX71	1700	26.18
15	1800	6.4X2B-SDS	SDSX1 5/8	6.2X2B-SDS	SDSX1 11/16	2	BX70	1803	26.00
		6.4X2B-SDS	SDSX1 5/8	6.4X2B-SDS	SDSX1 11/16	2	BX70	1750	25.84
		6.6X2B-SDS	SDSX1 5/8	6.4X2B-SDS	SDSX1 11/16	2	BX71	1801	26.18
15	1900	6.4X2B-SDS	SDSX1 5/8	6.0X2B-SDS	SDSX1 11/16	2	BX70	1859	26.16
		6.6X2B-SDS	SDSX1 5/8	6.0X2B-SDS	SDSX1 11/16	2	BX70	1914	26.00
		6.6X2B-SDS	SDSX1 5/8	6.2X2B-SDS	SDSX1 11/16	2	BX70	1856	25.84
15	2000	6.6X2B-SDS	SDSX1 5/8	5.8X2B-SDS	SDSX1 11/16	2	BX70	1975	26.15
		6.8X2B-SDS	SDSX1 5/8	5.8X2B-SDS	SDSX1 11/16	2	BX70	2032	25.99
		6.8X2B-SDS	SDSX1 5/8	6.0X2B-SDS	SDSX1 11/16	2	BX70	1968	25.84
20	1000	8.6X2B-SK	SKX1 5/8	15.4X2B-SK	SKX1 11/16	2	BX88	997	25.82
		8.6X2LB-SF	SFX1 5/8	15.4X2B-SK	SKX1 11/16	2	BX88	997	25.82
		8.6X2B-SK	SKX1 5/8	15.4X2LB-SF	SFX1 11/16	2	BX88	997	25.82
20	1100	6.0X2B-SDS	SDSX1 5/8	11.0X2B-SK	SKX1 11/16	2	BX77	983	25.92
		6.2X2B-SDS	SDSX1 5/8	11.0X2B-SK	SKX1 11/16	2	BX78	1014	26.28
		6.8X2B-SDS	SDSX1 5/8	12.4X2B-SK	SKX1 11/16	2	BX81	985	26.17
20	1200	8.6X2B-SK	SKX1 5/8	12.4X2B-SK	SKX1 11/16	2	BX83	1231	25.83
		8.6X2LB-SF	SFX1 5/8	12.4X2B-SK	SKX1 11/16	2	BX83	1231	25.83
		9.4X2B-SK	SKX1 5/8	13.6X2B-SK	SKX1 11/16	2	BX87	1225	26.25
20	1300	8.0X2B-SK	SKX1 5/8	11.0X2B-SK	SKX1 11/16	2	BX80	1290	25.93
		8.0X2LB-SF	SFX1 5/8	11.0X2B-SK	SKX1 11/16	2	BX80	1290	25.93
		8.0X2B-SK	SKX1 5/8	11.0X2LB-SF	SFX1 11/16	2	BX80	1290	25.93
20	1400	8.6X2B-SK	SKX1 5/8	11.0X2B-SK	SKX1 11/16	2	BX81	1382	25.97
		8.6X2LB-SF	SFX1 5/8	11.0X2B-SK	SKX1 11/16	2	BX81	1382	25.97
		8.6X2B-SK	SKX1 5/8	11.0X2LB-SF	SFX1 11/16	2	BX81	1382	25.97
20	1500	8.0X2B-SK	SKX1 5/8	9.4X2B-SK	SKX1 11/16	2	BX78	1500	26.22
		8.0X2LB-SF	SFX1 5/8	9.4X2B-SK	SKX1 11/16	2	BX78	1500	26.22
		8.0X2B-SK	SKX1 5/8	9.4X2LB-SF	SFX1 11/16	2	BX78	1500	26.22
20	1600	8.0X2B-SK	SKX1 5/8	8.6X2B-SK	SKX1 11/16	2	BX76	1634	25.86
		8.6X2B-SK	SKX1 5/8	9.4X2B-SK	SKX1 11/16	2	BX79	1607	26.25
		8.0X2LB-SF	SFX1 5/8	8.6X2B-SK	SKX1 11/16	2	BX76	1634	25.86
20	1700	8.0X2B-SK	SKX1 5/8	8.0X2B-SK	SKX1 11/16	2	BX75	1750	25.83
		8.6X2B-SK	SKX1 5/8	8.6X2B-SK	SKX1 11/16	2	BX77	1750	25.89
		9.4X2B-SK	SKX1 5/8	9.4X2B-SK	SKX1 11/16	2	BX80	1750	26.13

TABLE 30 - RETURN FAN DRIVES (90 - 105 TON) (CONT'D)

MOTOR HP	NOM RPM	MOTOR PULLEY	MOTOR PULLEY BUSHING	BLOWER PULLEY	BLOWER PULLEY BUSHING	BELT QTY	BELT	DRIVE SPEED RPM	DRIVE CENTER DIST
20	1800	8.0X2B-SK	SKX1 5/8	8.0X2B-SK	SKX1 11/16	2	BX75	1750	25.83
		8.6X2B-SK	SKX1 5/8	8.6X2B-SK	SKX1 11/16	2	BX77	1750	25.89
		9.4X2B-SK	SKX1 5/8	9.4X2B-SK	SKX1 11/16	2	BX80	1750	26.13
20	1900	8.0X2B-SK	SKX1 5/8	7.4X2B-SK	SKX1 11/16	2	BX74	1884	25.80
		8.6X2B-SK	SKX1 5/8	8.0X2B-SK	SKX1 11/16	2	BX76	1875	25.86
		9.4X2B-SK	SKX1 5/8	8.6X2B-SK	SKX1 11/16	2	BX79	1905	26.25
20	2000	8.6X2B-SK	SKX1 5/8	7.4X2B-SK	SKX1 11/16	2	BX75	2019	25.82
		9.4X2B-SK	SKX1 5/8	8.0X2B-SK	SKX1 11/16	2	BX78	2041	26.22
		8.6X2LB-SF	SFX1 5/8	7.4X2B-SK	SKX1 11/16	2	BX75	2019	25.82

TABLE 31 - ECONOMIZER DAMPERS AND ACTUATORS

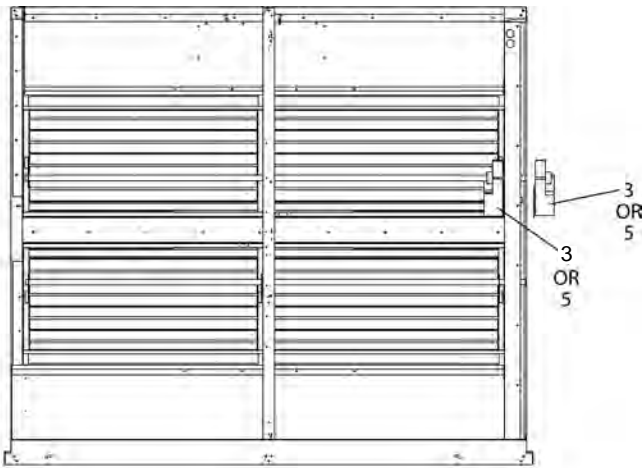
FIG	ITEM	UNIT SIZE	DESCRIPTION	PART NUMBER
17	1	50-65	DAMPER, MANUAL, 2 POSITION, FULL IAQ., AND ACT	026-40698-000
17	2		DAMPER, MINIMUM, IAQ, AND 25/75 IAQ.	026-40699-000
18	3		ACTUATOR, JCI	025-36583-000
18	5		ACTUATOR, BELIMO	025-30958-009
18	6		HANDCRANK, MANUAL	026-40700-000
19	7		CRANK ARM, FULL IAQ.	085-01457-000
19	8		BALL JOINT LINKAGE, FULL, MINIMUM	021-19574-000
19	9		LINKAGE ROD, FULL IAQ, 5/16" X 19.5" LONG	026-40691-003
19	10		LINKAGE ROD, MINIMUM, 5/16" X 12" LONG	026-40691-006
19	11		BLADE CRANK ARM, MINIMUM	085-01456-000
19	12		ACTUATOR CRANK ARM, JCI, MINIMUM	085-01365-000
19	13		ACTUATOR CRANK ARM, BELIMO, MINIMUM	026-40704-000
18	14		BRACKET, ROTATION LIMITER, RETURN FAN OPTION	026-40811-000
17	1		70-85	DAMPER, MANUAL, 2 POSITION, FULL IAQ., AND ACT
17	2	DAMPER, MINIMUM, IAQ. AND 25/75 IAQ.		026-40699-001
18	3	ACTUATOR, JCI		025-36583-000
18	5	ACTUATOR, BELIMO		025-30958-009
18	6	HANDCRANK, MANUAL		026-40700-000
19	7	CRANK ARM, FULL IAQ.		085-01457-000
19	8	BALL JOINT LINKAGE, FULL, MINIMUM		021-19574-000
19	9	LINKAGE ROD, FULL IAQ, 5/16" X 36" LONG		026-40691-004
19	10	LINKAGE ROD, MINIMUM, 5/16" X 10" LONG		026-40691-007
19	11	BLADE CRANK ARM, MINIMUM		085-01456-000
19	12	ACTUATOR CRANK ARM, JCI, MINIMUM		085-01365-000
19	13	ACTUATOR CRANK ARM, BELIMO, MINIMUM		026-40704-000
18	14	BRACKET, ROTATION LIMITER, RETURN FAN OPTION		026-40811-000
17	1	90-105		DAMPER, MANUAL, 2 POSITION, FULL IAQ., AND ACT
17	2		DAMPER, MINIMUM, IAQ. AND 25/75 IAQ.	026-40699-002
18	3		ACTUATOR, JCI	025-36583-000
18	5		ACTUATOR, BELIMO	025-30958-009
18	6		HANDCRANK, MANUAL	026-40700-000
19	7		CRANK ARM, FULL IAQ.	085-01457-000
19	8		BALL JOINT LINKAGE, FULL, MINIMUM	021-19574-000
19	9		LINKAGE ROD, FULL IAQ, 5/16" X 33" LONG	026-40691-008
19	10		LINKAGE ROD, MINIMUM, 5/16" X 12" LONG	026-40691-006
19	11		BLADE CRANK ARM, MINIMUM	085-01456-000
19	12		ACTUATOR CRANK ARM, JCI, MINIMUM	085-01365-000
19	13		ACTUATOR CRANK ARM, BELIMO, MINIMUM	026-40704-000
18	14		BRACKET, ROTATION LIMITER, RETURN FAN OPTION	026-40811-000
-	-		50-105	RESCALING MODULE



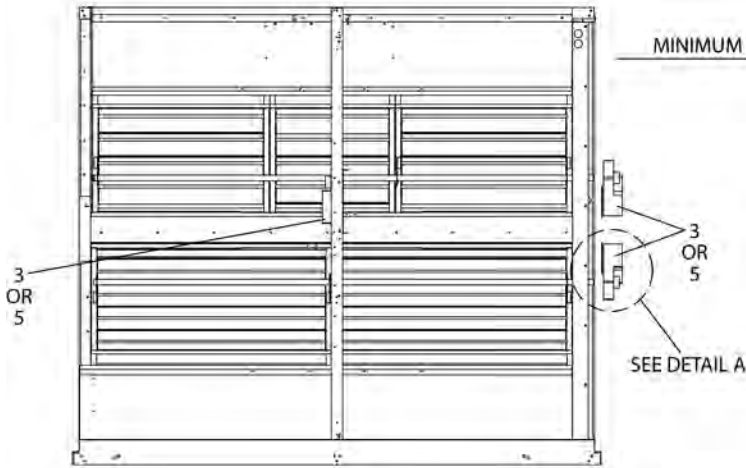
LD11840

FIG. 17 - ECONOMIZER DAMPERS AND AIR MEASUREMENT STATIONS

FULL INDOOR AIR QUALITY OPTION (70-105 TONS)

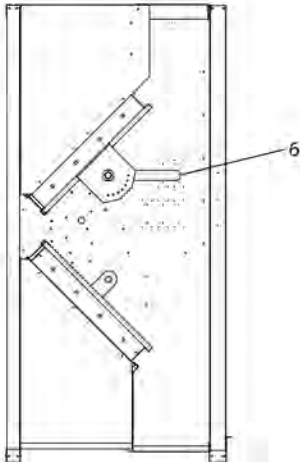


MINIMUM INDOOR AIR QUALITY OPTION (50-105 TONS)

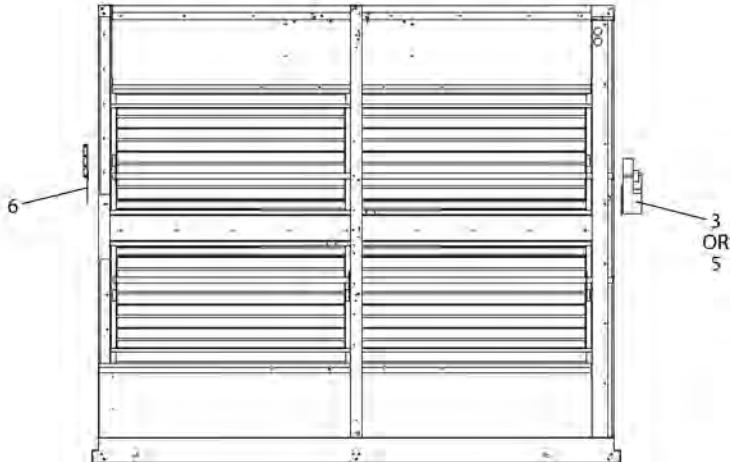


DETAIL A
RETURN FAN OPTION ONLY
(BELIMO ACTUATOR)

SIDE VIEW

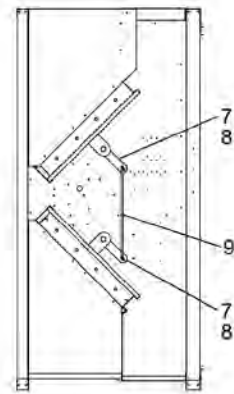
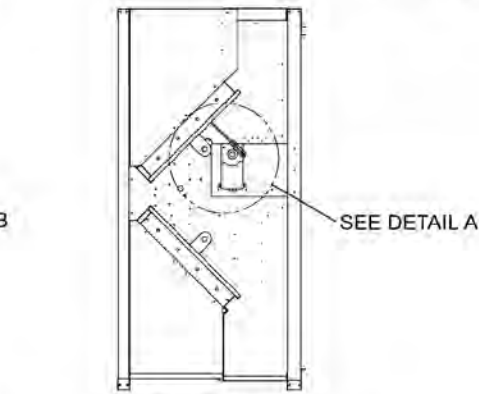
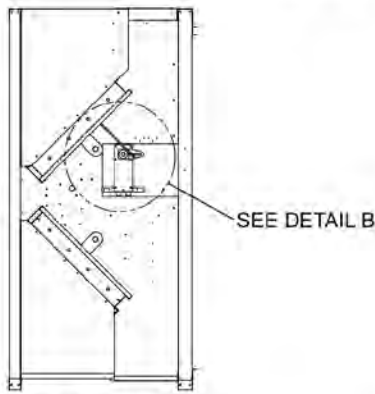
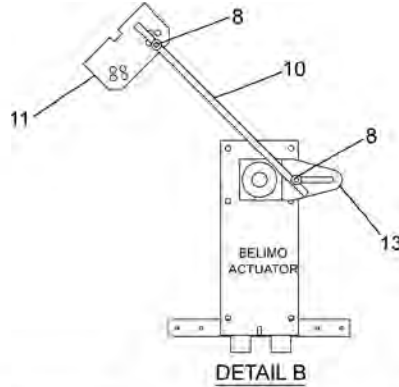
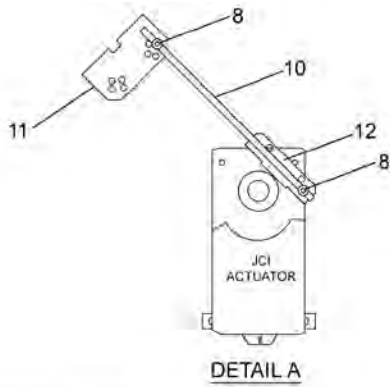


TWO-POSITION ACTUATOR OPTION (50-105 TONS)
FULL INDOOR AIR QUALITY OPTION (50-65 TONS)



LD11841

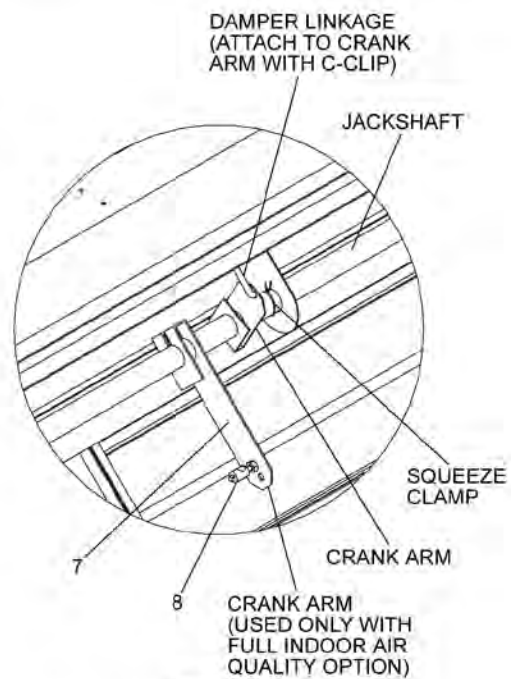
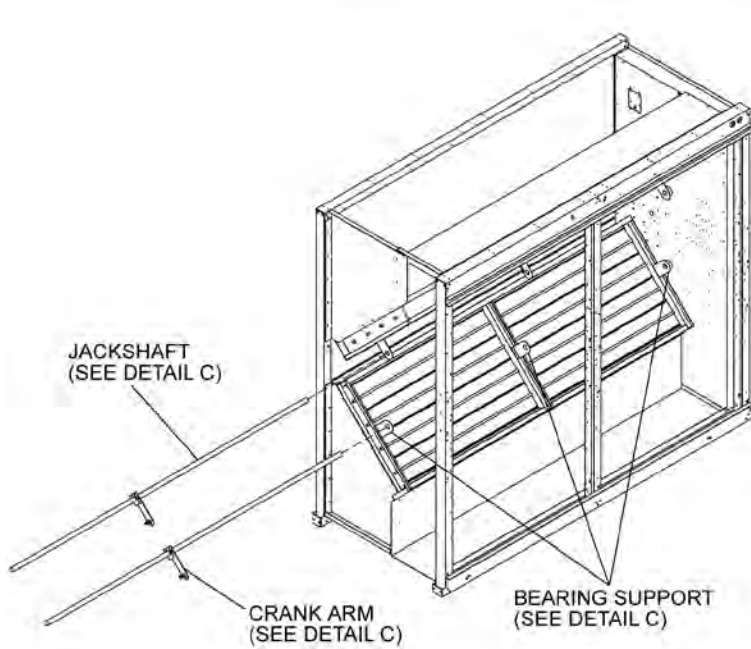
FIG. 18 - ECONOMIZER DAMPERS ACTUATORS



BELIMO LINKAGE
MINIMUM INDOOR AIR QUALITY OPTION

JCI LINKAGE
MINIMUM INDOOR AIR QUALITY OPTION

FULL INDOOR AIR QUALITY OPTION



DETAIL C
TYPICAL AT ALL BEARING SUPPORTS

LD11842

FIG. 19 - ECONOMIZER DAMPER AND ACTUATOR LINKAGE

TABLE 32 - AIR MEASUREMENT STATIONS

FIG	ITEM	UNIT SIZE	DESCRIPTION	PART NUMBER
17	4	50-65	AMS, MID SECTION, 22" X 28", MIN./25%	026-41934-001
17	5		AMS, END SECTION, 31" X 28", 75%	026-41935-001
17	6		AMS, END SECTION, 42" X 28", FULL	026-41936-001
17	4	70-85	AMS, MID SECTION, 22" X 32", MIN./25%	026-41934-002
17	5		AMS, END SECTION, 31" X 32", 75%	026-41935-002
17	6		AMS, END SECTION, 42" X 32", FULL	026-41936-002
17	4	90-105	AMS, MID SECTION, 22" X 36", MIN./25%	026-41934-003
17	5		AMS, END SECTION, 31" X 36", 75%	026-41935-003
17	6		AMS, END SECTION, 42" X 36", FULL	026-41936-003

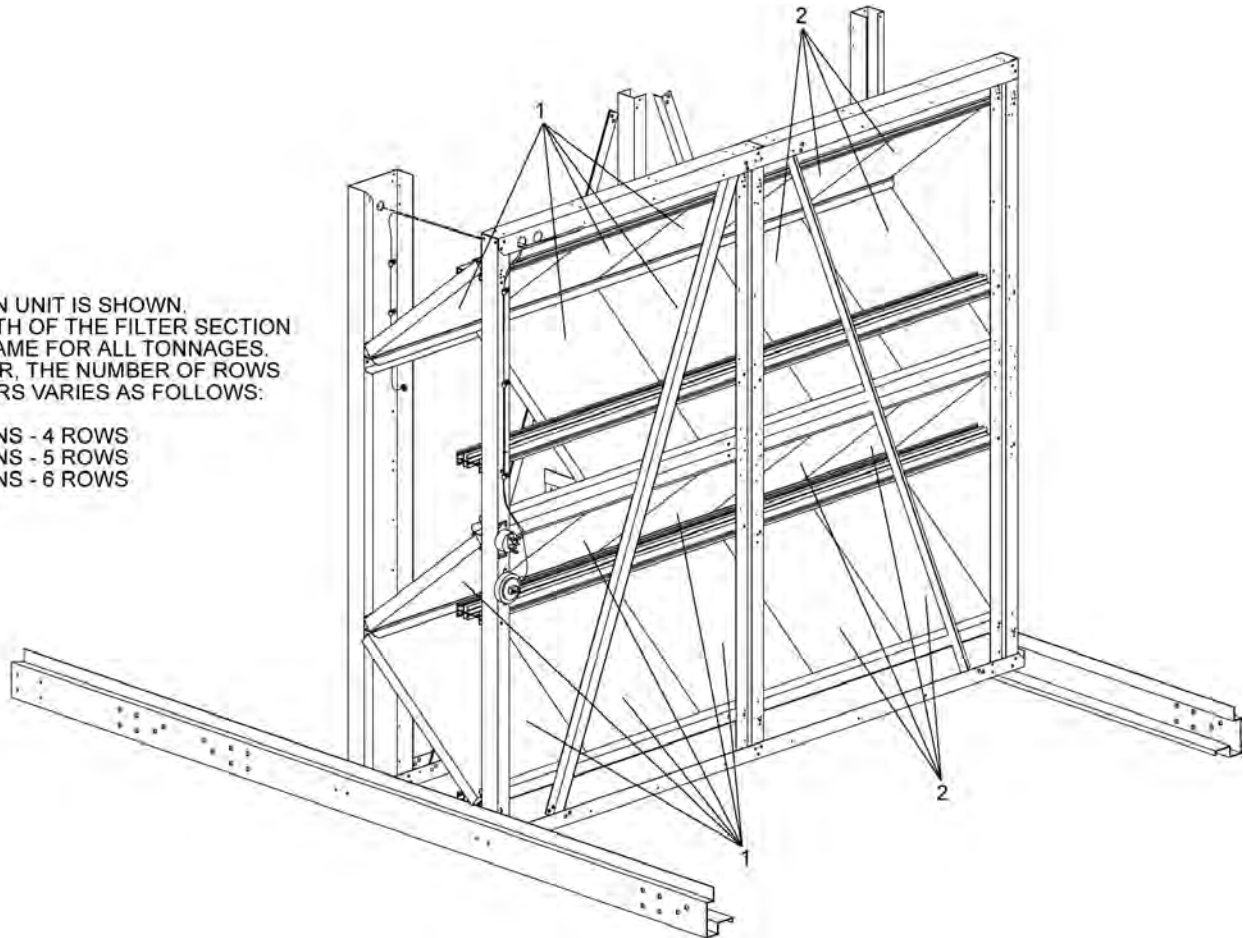
TABLE 33 - UNIT FILTERS, ANGLE

FIG	ITEM	UNIT SIZE	TYPE	SIZE	PART NUMBER	QTY
20	1	50-65	2" THROWAWAY	20" X 25"	026-01730-000	12
20	2			16" X 25"	026-03616-000	8
20	1		2" CLEANABLE	20" X 25"	026-10451-000	12
20	2			16" X 25"	026-10449-000	8
20	1		2" PLEATED, 30% EFFICIENT	20" X 25"	026-21065-000	12
20	2			16" X 25"	026-21064-000	8
20	1		2" CARBON, 30% EFFICIENT	20" X 25"	026-36378-000	12
20	2			16" X 25"	026-36377-000	8
20	1	70-85	2" THROWAWAY	20" X 25"	026-01730-000	15
20	2			16" X 25"	026-03616-000	10
20	1		2" CLEANABLE	20" X 25"	026-10451-000	15
20	2			16" X 25"	026-10449-000	10
20	1		2" PLEATED, 30% EFFICIENT	20" X 25"	026-21065-000	15
20	2			16" X 25"	026-21064-000	10
20	1		2" CARBON, 30% EFFICIENT	20" X 25"	026-36378-000	15
20	2			16" X 25"	026-36377-000	10
20	1	90-105	2" THROWAWAY	20" X 25"	026-01730-000	18
20	2			16" X 25"	026-03616-000	12
20	1		2" CLEANABLE	20" X 25"	026-10451-000	18
20	2			16" X 25"	026-10449-000	12
20	1		2" PLEATED, 30% EFFICIENT	20" X 25"	026-21065-000	18
20	2			16" X 25"	026-21064-000	12
20	1		2" CARBON, 30% EFFICIENT	20" X 25"	026-36378-000	18
20	2			16" X 25"	026-36377-000	12

NOTE:

50-65 TON UNIT IS SHOWN.
 THE WIDTH OF THE FILTER SECTION
 IS THE SAME FOR ALL TONNAGES.
 HOWEVER, THE NUMBER OF ROWS
 OF FILTERS VARIES AS FOLLOWS:

- 50-65 TONS - 4 ROWS
- 70-85 TONS - 5 ROWS
- 90-95 TONS - 6 ROWS

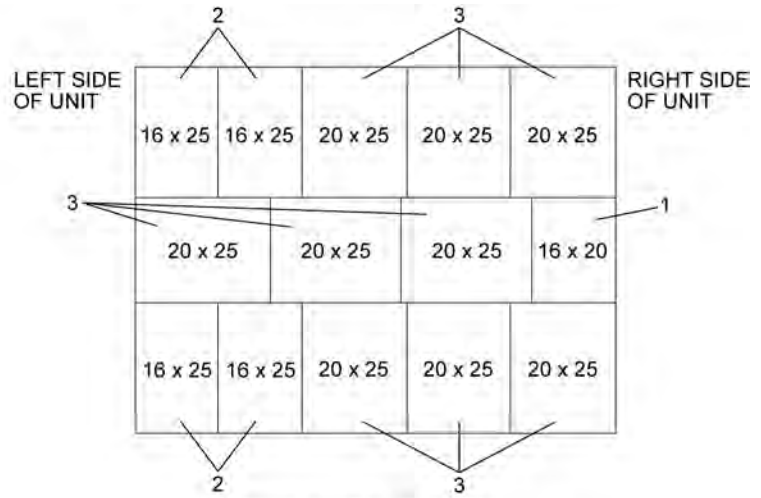


LD11843

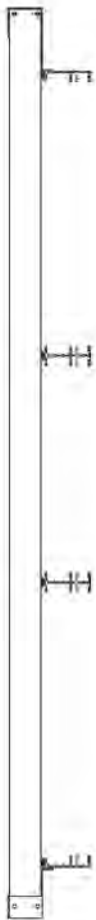
FIG. 20 - ANGLE UNIT FILTERS

TABLE 34 - UNIT FILTERS, RIGID

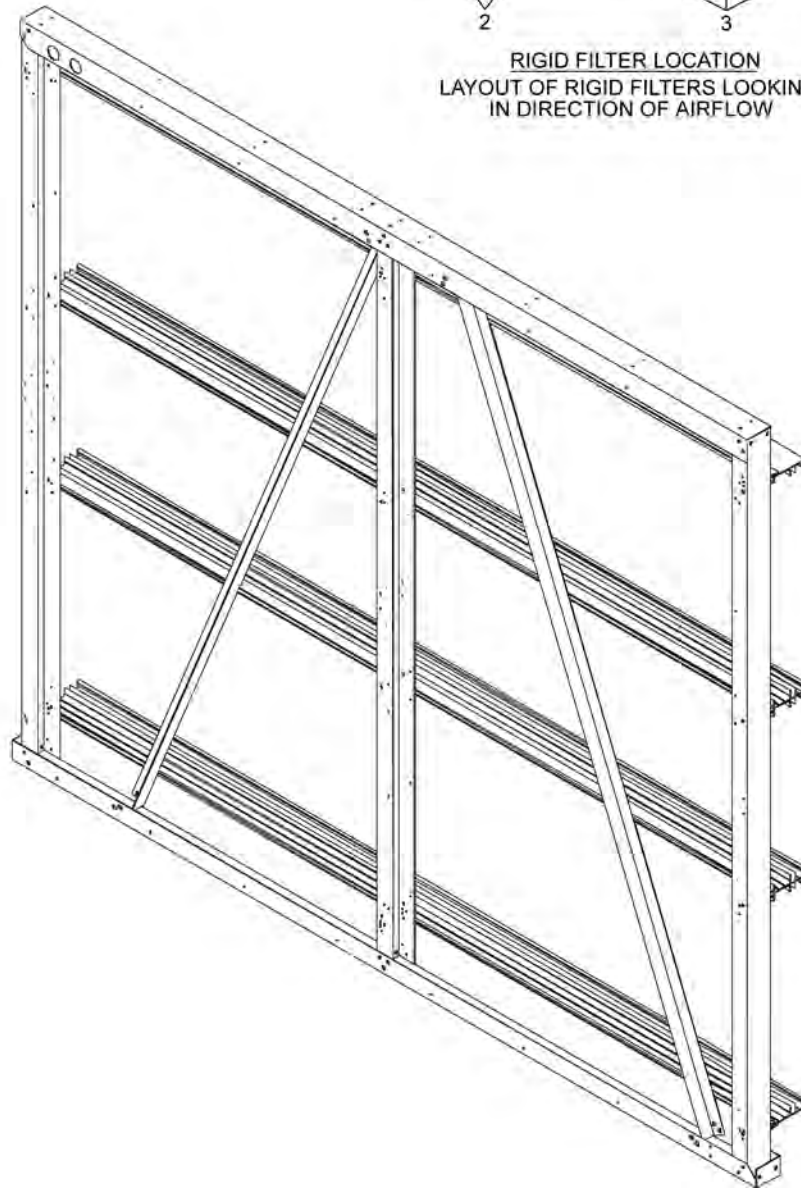
FIG	ITEM	UNIT SIZE	TYPE	SIZE	PART NUMBER	QTY
21	1	50-65	2" THROWAWAY	16" X 20"	026-03617-000	1
21	2			16" X 25"	026-03616-000	4
21	3			20" X 25"	026-01730-000	9
21	1		12" 60-65% EFFICIENT	16" X 20"	026-36340-009	1
21	2			16" X 25"	026-36340-010	4
21	3			20" X 25"	026-36379-000	9
21	1		12" 90-95% EFFICIENT	16" X 20"	026-36342-009	1
21	2			16" X 25"	026-36342-010	4
21	3			20" X 25"	026-36380-000	9
21	1		2" PLEATED PRE-FILTER (FOR USE WITH 12" 60-65% AND 90-95% EFFICIENT FILTERS)	16" X 20"	026-21062-000	1
21	2			16" X 25"	026-21064-000	4
21	3			20" X 25"	026-21065-000	9
22	1	70-85	2" THROWAWAY	16" X 20"	026-03617-000	2
22	2			16" X 25"	026-03616-000	8
22	3			20" X 25"	026-01730-000	9
22	1		12" 60-65% EFFICIENT	16" X 20"	026-36340-009	2
22	2			16" X 25"	026-36340-010	8
22	3			20" X 25"	026-36379-000	9
22	1		12" 90-95% EFFICIENT	16" X 20"	026-36342-009	2
22	2			16" X 25"	026-36342-010	8
22	3			20" X 25"	026-36380-000	9
22	1		2" PLEATED PRE-FILTER (FOR USE WITH 12" 60-65% AND 90-95% EFFICIENT FILTERS)	16" X 20"	026-21062-000	2
22	2			16" X 25"	026-21064-000	8
22	3			20" X 25"	026-21065-000	9
23	1	90-105	2" THROWAWAY	16" X 25"	026-03616-000	8
23	2			20" X 25"	026-01730-000	12
23	1		12" 60-65% EFFICIENT	16" X 25"	026-36340-010	8
23	2			20" X 25"	026-36379-000	12
23	1		12" 90-95% EFFICIENT	16" X 25"	026-36342-010	8
23	2			20" X 25"	026-36380-000	12
23	1		2" PLEATED PRE-FILTER (FOR USE WITH 12" 60-65% AND 90-95% EFFICIENT FILTERS)	16" X 25"	026-21064-000	8
23	2			20" X 25"	026-21065-000	12



RIGID FILTER LOCATION
LAYOUT OF RIGID FILTERS LOOKING
IN DIRECTION OF AIRFLOW



SIDE VIEW



LD11844

FIG. 21 - RIGID UNIT FILTERS (50-65 TON)

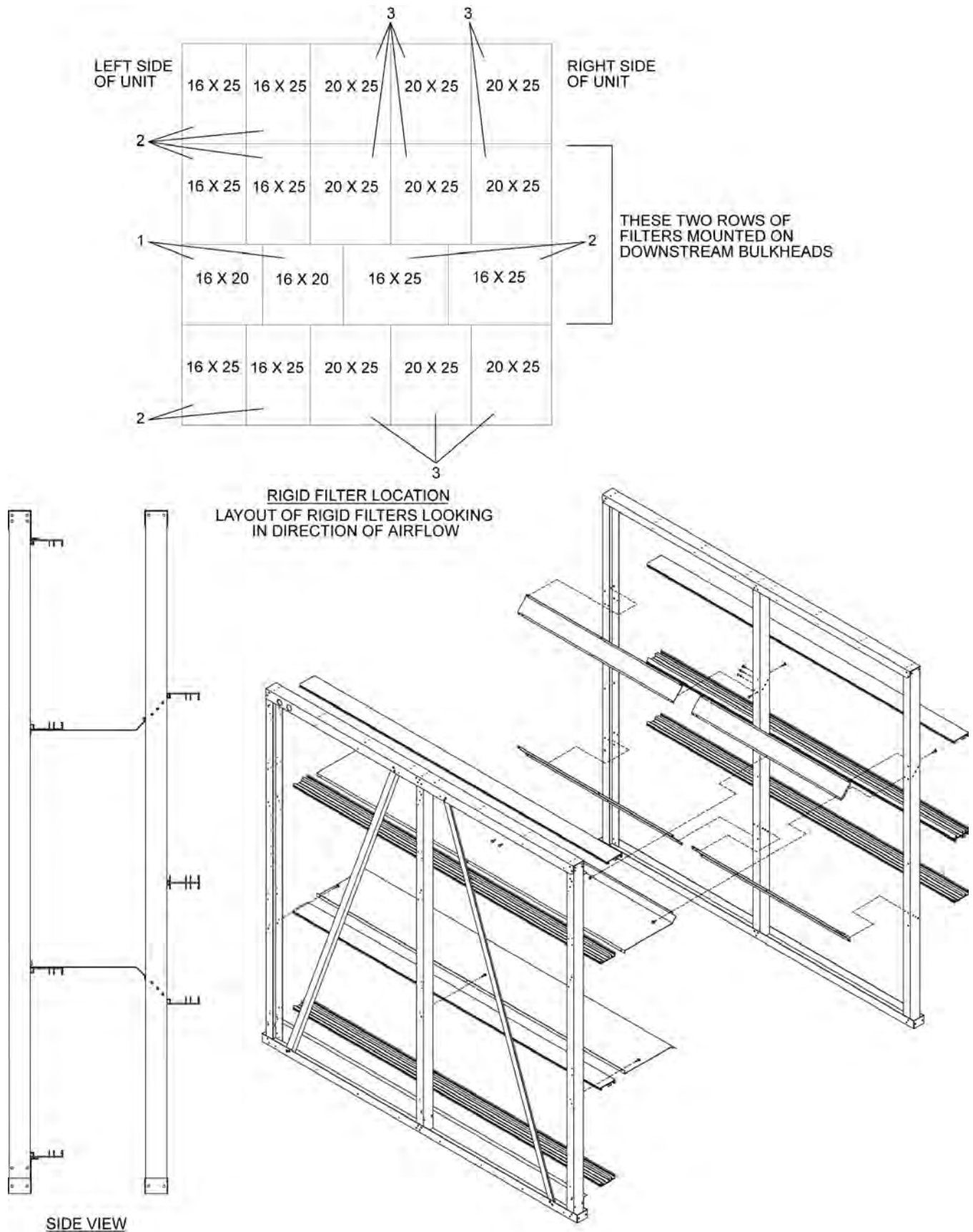
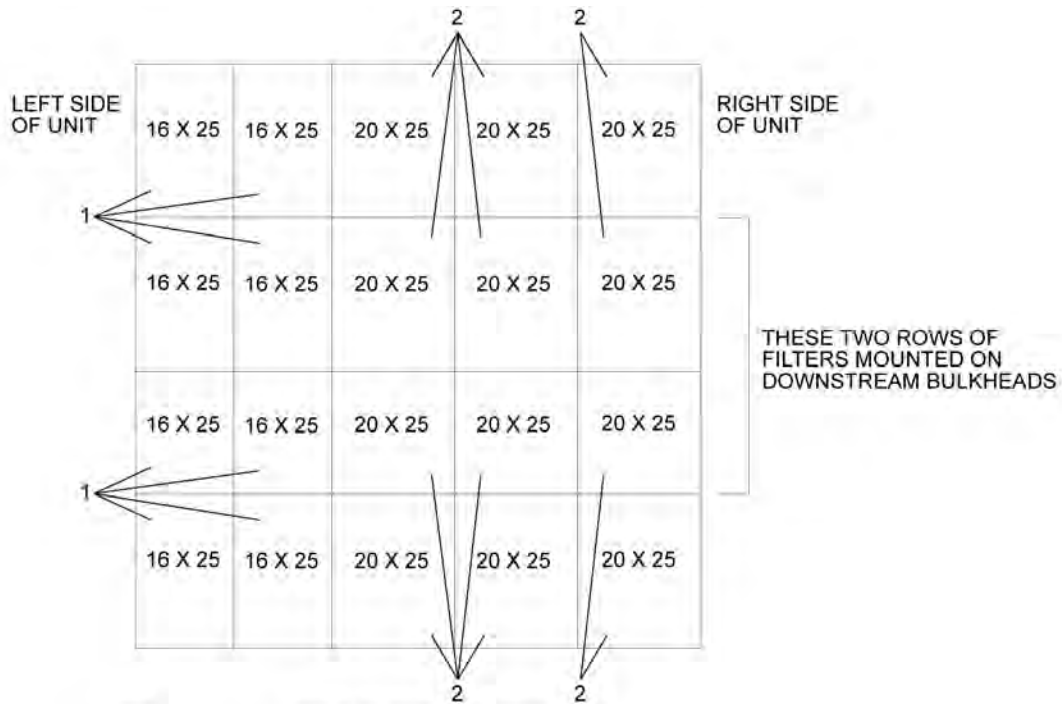
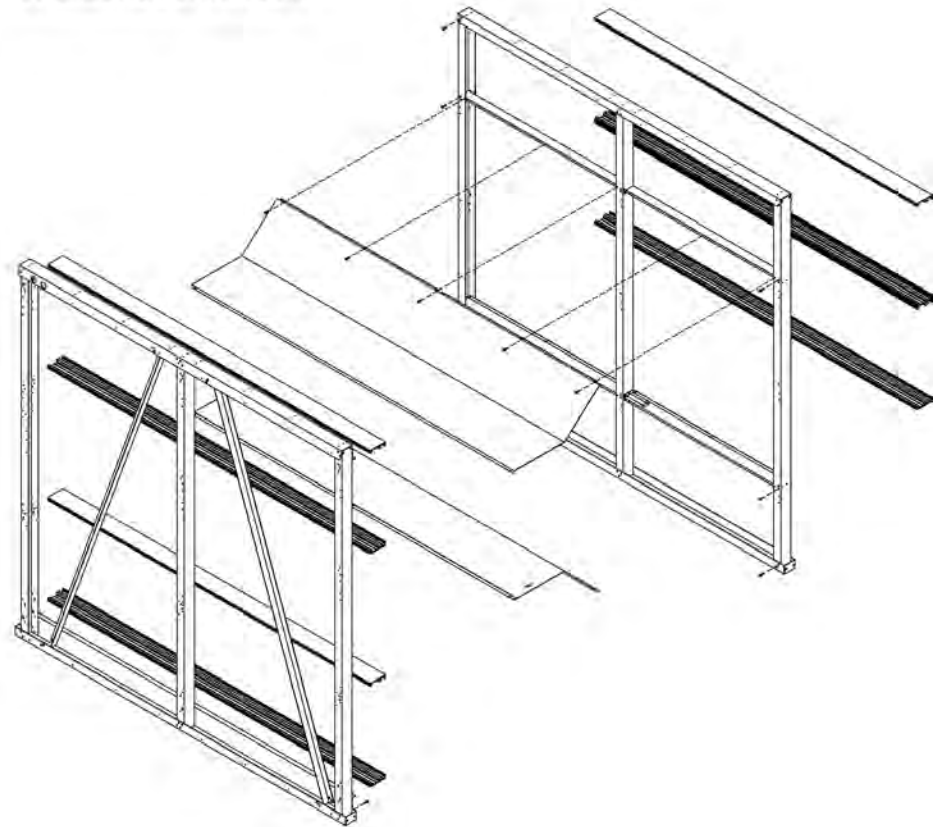
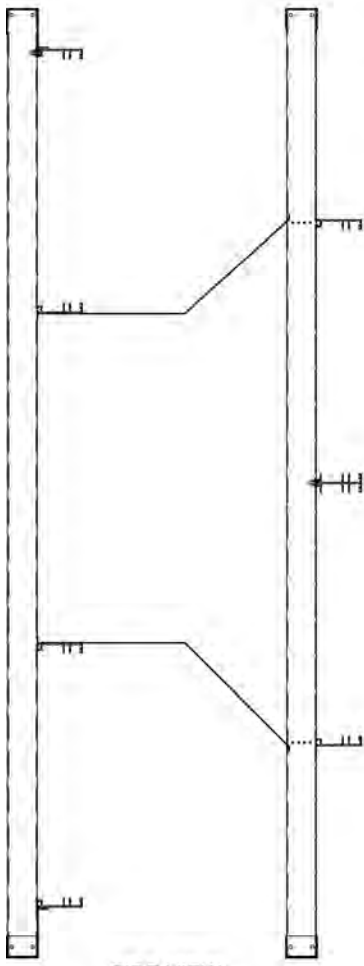


FIG. 22 - RIGID UNIT FILTERS (70-85 TON)



RIGID FILTER LOCATION
LAYOUT OF RIGID FILTERS LOOKING
IN DIRECTION OF AIRFLOW

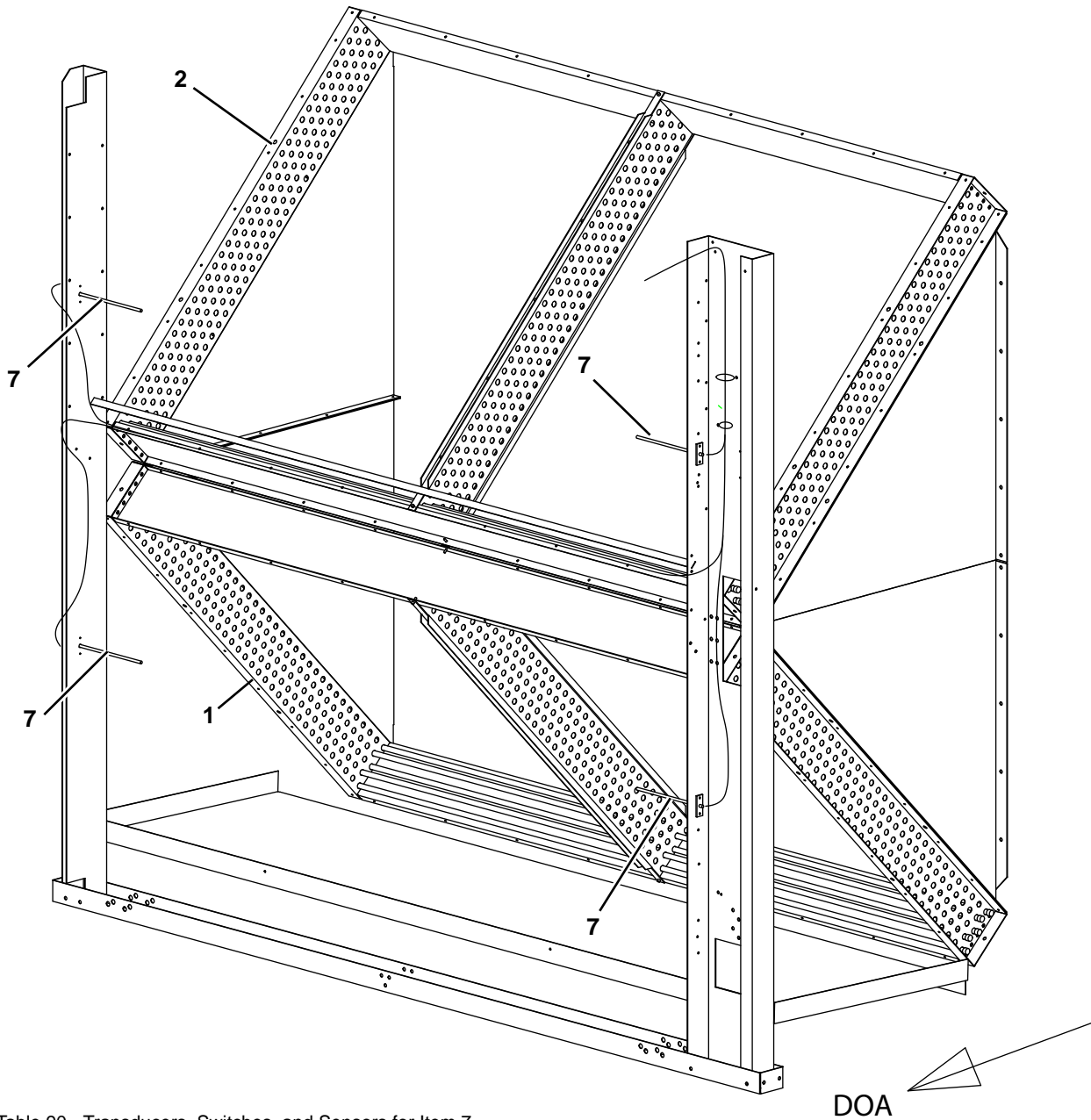


LD11846

FIG. 23 - RIGID UNIT FILTERS (90-105 TON)

TABLE 35 - EVAPORATOR COILS (R407C AND R22)

FIG	ITEM	UNIT SIZE	LOCATION	PART NUMBER		QUANTITY
				ALUMINUM FINS	COPPER FINS	
24	1	50	BOTTOM	385-01539-102	385-01539-103	1
	2		TOP	385-01539-100	385-01539-101	1
24	1	55	BOTTOM	385-01539-112	385-01539-113	1
	2		TOP	385-01539-110	385-01539-111	1
24	1	60	BOTTOM	385-01539-122	385-01539-123	1
	2		TOP	385-01539-120	385-01539-121	1
24	1	65	BOTTOM	385-01539-132	385-01539-133	1
	2		TOP	385-01539-130	385-01539-131	1
24	1	70	BOTTOM	385-01539-142	385-01539-143	1
	2		TOP	385-01539-140	385-01539-141	1
24	1	75	BOTTOM	385-01539-152	385-01539-153	1
	2		TOP	385-01539-150	385-01539-151	1
24	1	80	BOTTOM	385-01539-162	385-01539-163	1
	2		TOP	385-01539-160	385-01539-161	1
24	1	85	BOTTOM	385-01539-172	385-01539-173	1
	2		TOP	385-01539-170	385-01539-171	1
24	1	90	BOTTOM	385-01539-182	385-01539-183	1
	2		TOP	385-01539-180	385-01539-181	1
24	1	95	BOTTOM	385-01539-192	385-01539-193	1
	2		TOP	385-01539-190	385-01539-191	1
25	1	105	BOTTOM	385-01539-212	385-01539-213	1
	2		TOP	385-01539-210	385-01539-211	1



See Table 90 - Transducers, Switches, and Sensors for Item 7

LD14591

FIG. 24 - EVAPORATOR COILS

TABLE 36 - SUPPLY FAN MOTOR MOUNTING BASE

FIG	ITEM	SUPPLY FAN HORSEPOWER	MOTOR BASE PART NUMBER
26, 27	3	10	025-33799-215
26, 27	3	15	026-33799-254
26, 27	3	20	026-33799-256
26, 27	3	25	026-33799-284
26, 27	3	30	026-33799-286
26, 27	3	40	026-33799-324
26, 27	3	50	026-33799-326
26, 27	3	60	026-33799-364
26, 27	3	75	026-33799-365

TABLE 37 - SUPPLY FANS

FIG	ITEM	UNIT SIZE	SIZE	TYPE	CLASS	PART NUMBER
26	1	50-65	25-22	FORWARD-CURVED	2	026-36310-425
26	1		25-25	AIRFOIL	1	026-36313-125
26	1		25-25	AIRFOIL	2	026-36313-225
27	1	70-85	28-25	FORWARD-CURVED	2	026-36311-428
27	1	70-105	32-32	AIRFOIL	1	026-36313-132
27	1		32-32	AIRFOIL	2	026-36313-232
27	1	90-105	28-28	FORWARD-CURVED	2	026-36311-228

TABLE 38 - SUPPLY FAN MOTORS, ODP, 3-PHASE, 60 HERTZ

FIG	ITEM	UNIT SIZE	MOTOR HP	VOLTAGE	STANDARD EFFICIENCY PART NUMBER	HIGH EFFICIENCY PART NUMBER	
26, 27	2	50-105	10	200	024-23938-000	024-27060-000	
26, 27	2			230	024-23931-000	024-27062-000	
26, 27	2			380	024-26236-000	NA	
26, 27	2			460	024-23931-000	024-27062-000	
26, 27	2			575	024-27011-000	024-27373-000	
26, 27	2		15	15	200	024-23939-000	024-27063-000
26, 27	2				230	024-23932-000	024-27064-000
26, 27	2				380	024-26237-000	NA
26, 27	2				460	024-23932-000	024-27064-000
26, 27	2				575	024-27012-000	024-27374-000
26, 27	2		20	20	200	024-23940-000	024-27065-000
26, 27	2				230	024-23933-000	024-27066-000
26, 27	2				380	024-26238-000	NA
26, 27	2				460	024-23933-000	024-27066-000
26, 27	2				575	024-27013-000	024-27375-000
26, 27	2		25	25	200	024-23941-000	024-27067-000
26, 27	2				230	024-23934-000	024-27068-000
26, 27	2				380	024-26239-000	NA
26, 27	2				460	024-23934-000	024-27068-000
26, 27	2				575	024-27014-000	024-27376-000
26, 27	2		30	30	200	024-26265-000	024-27069-000
26, 27	2				230	024-23191-000	024-27070-000
26, 27	2				380	024-26240-000	NA
26, 27	2				460	024-23191-000	024-27070-000
26, 27	2				575	024-27015-000	024-27377-000
26, 27	2		40	40	200	024-26266-000	024-27071-000
26, 27	2				230	024-23195-000	024-27072-000
26, 27	2				380	024-26241-000	NA
26, 27	2				460	024-23195-000	024-27072-000
26, 27	2				575	024-27016-000	024-27378-000
27	2	70-105	50	200	024-14920-000	024-27073-000	
27	2			230	024-23196-000	024-27074-000	
27	2			380	024-26242-000	NA	
27	2			460	024-23196-000	024-27074-000	
27	2			575	024-27017-000	024-27392-000	
27	2		60	60	200	024-27396-000	024-27075-000
27	2				230	024-23197-000	024-27076-000
27	2				380	024-26243-000	NA
27	2				460	024-23197-000	024-27076-000
27	2				575	024-27018-000	024-27393-000

TABLE 39 - SUPPLY FAN MOTORS, TEFC, 3-PHASE, 60 HERTZ

FIG	ITEM	UNIT SIZE	MOTOR HP	VOLTAGE	STANDARD EFFICIENCY PART NUMBER	HIGH EFFICIENCY PART NUMBER	
26, 27	2	50-105	10	200	024-23924-000	024-27087-000	
26, 27	2			230	024-23917-000	024-27088-000	
26, 27	2			380	024-26251-000	NA	
26, 27	2			460	024-23917-000	024-27088-000	
26, 27	2			575	024-27043-000	024-27347-000	
26, 27	2		15	15	200	024-23925-000	024-27089-000
26, 27	2				230	024-23918-000	024-27090-000
26, 27	2				380	024-26252-000	NA
26, 27	2				460	024-23918-000	024-27090-000
26, 27	2				575	024-27314-000	024-27349-000
26, 27	2		20	20	200	024-27336-000	024-27097-000
26, 27	2				230	024-23919-000	024-27098-000
26, 27	2				380	024-26253-000	NA
26, 27	2				460	024-23919-000	024-27098-000
26, 27	2				575	024-27029-000	024-27351-000
26, 27	2		25	25	200	024-27338-000	024-27099-000
26, 27	2				230	024-23920-000	024-27300-000
26, 27	2				380	024-26254-000	NA
26, 27	2				460	024-23920-000	024-27300-000
26, 27	2				575	024-27030-000	024-27353-000
26, 27	2		30	30	200	024-26271-000	024-30744-000
26, 27	2				230	024-26282-000	024-27301-000
26, 27	2				380	024-26255-000	NA
26, 27	2				460	024-26282-000	024-27301-000
26, 27	2				575	024-27031-000	024-27355-000
26, 27	2		40	40	200	024-27341-000	024-30745-000
26, 27	2				230	024-26283-000	024-27302-000
26, 27	2				380	024-26256-000	NA
26, 27	2				460	024-26283-000	024-27302-000
26, 27	2				575	024-27032-000	024-27357-000
27	2	70-105	50	200	024-27096-000	024-27391-000	
27	2			230	024-26284-000	024-27303-000	
27	2			380	024-26257-000	NA	
27	2			460	024-26284-000	024-27303-000	
27	2			575	024-27049-000	024-27319-000	
27	2		60	60	200	024-27394-000	024-27395-000
27	2				230	024-26285-000	024-27304-000
27	2				380	024-26258-000	NA
27	2				460	024-26285-000	024-27304-000
27	2				575	024-27034-000	024-27320-000

TABLE 40 - SUPPLY FAN MOTORS, ODP AND TEFC, 3-PHASE, 50 HERTZ

FIG	ITEM	UNIT SIZE	MOTOR HP	VOLTAGE	ODP STANDARD EFFICIENCY PART NUMBER	TEFC STANDARD EFFICIENCY PART NUMBER
26, 27	2	50-105	10	400	024-27325-000	024-27334-000
26, 27	2		15	400	024-27326-000	024-27335-000
26, 27	2		20	400	024-27327-000	024-27337-000
26, 27	2		25	400	024-27379-000	024-27339-000
26, 27	2		30	400	024-27381-000	024-27340-000
26, 27	2		40	400	024-27383-000	024-27342-000
27	2	70-105	50	400	024-27385-000	024-27389-000
27	2		60	400	024-27387-000	024-27390-000

TABLE 41 - SUPPLY FAN (FORWARD-CURVED) ONE-INCH ISOLATORS

FIG	UNIT SIZE	MOTOR HP	FAN CLASS	BLOWER DRIVE	OPPOSITE BLOWER DRIVE	MOTOR DRIVE	OPPOSITE MOTOR DRIVE
26	50-65	10	2	029-21363-004	029-21363-004	029-21363-002	029-21363-003
26		15	2	029-21363-005	029-21363-004	029-21363-004	029-21363-004
26		20	2	029-21363-005	029-21363-004	029-21363-004	029-21363-004
26		25	2	029-21363-005	029-21363-004	029-21363-005	029-21363-005
26		30	2	029-21363-006	029-21363-004	029-21363-005	029-21363-005
26		40	2	029-21363-006	029-21363-005	029-21363-006	029-21363-006
27	70-85	10	2	029-21363-005	029-21363-001	029-21363-005	029-21363-003
27		15	2	029-21363-005	029-21363-002	029-21363-006	029-21363-004
27		20	2	029-21363-005	029-21363-002	029-21363-006	029-21363-004
27		25	2	029-21363-005	029-21363-003	029-21363-006	029-21363-005
27		30	2	029-21363-005	029-21363-003	029-21363-006	029-21363-005
27		40	2	029-21363-006	029-21363-004	029-21363-008	029-21363-006
27	90-105	50	2	029-21363-006	029-21363-004	029-21363-008	029-21363-006
27		10	2	029-21363-005	029-21363-001	029-21363-005	029-21363-003
27		15	2	029-21363-005	029-21363-002	029-21363-006	029-21363-004
27		20	2	029-21363-005	029-21363-002	029-21363-006	029-21363-004
27		25	2	029-21363-005	029-21363-002	029-21363-006	029-21363-005
27		30	2	029-21363-005	029-21363-003	029-21363-006	029-21363-005
27		40	2	029-21363-006	029-21363-003	029-21363-008	029-21363-006
27		50	2	029-21363-006	029-21363-003	029-21363-008	029-21363-006
27	60	2	029-21363-006	029-21363-005	029-21363-008	029-21363-006	

TABLE 42 - SUPPLY FAN (FORWARD-CURVED) TWO-INCH ISOLATORS

FIG	UNIT SIZE	MOTOR HP	FAN CLASS	BLOWER DRIVE	OPPOSITE BLOWER DRIVE	MOTOR DRIVE	OPPOSITE MOTOR DRIVE
26	50-65	10	2	029-21330-614	029-21330-614	029-21330-603	029-21330-614
26		15	2	029-21330-614	029-21330-614	029-21330-614	029-21330-614
26		20	2	029-21330-616	029-21330-614	029-21330-614	029-21330-614
26		25	2	029-21330-616	029-21330-614	029-21330-616	029-21330-616
26		30	2	029-21330-616	029-21330-614	029-21330-616	029-21330-616
26		40	2	029-21330-616	029-21330-616	029-21330-616	029-21330-616
27	70-85	10	2	029-21330-616	029-21330-601	029-21330-616	029-21330-603
27		15	2	029-21330-616	029-21330-602	029-21330-616	029-21330-614
27		20	2	029-21330-616	029-21330-602	029-21330-616	029-21330-614
27		25	2	029-21330-616	029-21330-603	029-21330-616	029-21330-616
27		30	2	029-21330-616	029-21330-614	029-21330-616	029-21330-616
27		40	2	029-21330-616	029-21330-614	029-21330-617	029-21330-616
27	90-105	50	2	029-21330-616	029-21330-614	029-21330-618	029-21330-616
27		10	2	029-21330-616	029-21330-601	029-21330-614	029-21330-603
27		15	2	029-21330-616	029-21330-602	029-21330-616	029-21330-603
27		20	2	029-21330-616	029-21330-602	029-21330-616	029-21330-614
27		25	2	029-21330-616	029-21330-602	029-21330-616	029-21330-614
27		30	2	029-21330-616	029-21330-603	029-21330-616	029-21330-616
27		40	2	029-21330-616	029-21330-603	029-21330-616	029-21330-616
27		50	2	029-21330-616	029-21330-603	029-21330-617	029-21330-616
27	60	2	029-21330-616	029-21330-603	029-21330-617	029-21330-616	

TABLE 43 - SUPPLY FAN (AIR-FOIL) ONE-INCH ISOLATORS

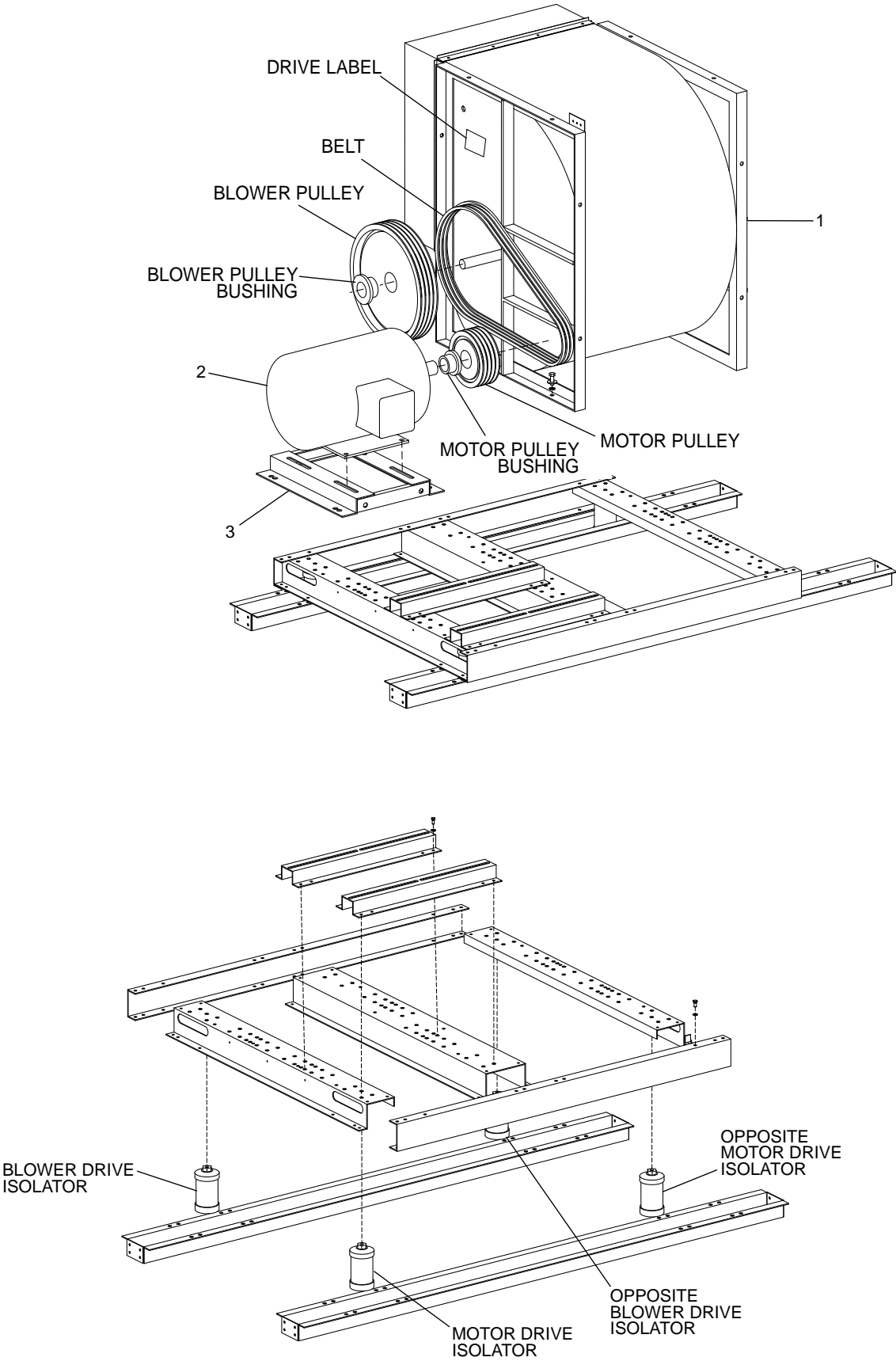
FIG	UNIT SIZE	MOTOR HP	FAN CLASS	BLOWER DRIVE	OPPOSITE BLOWER DRIVE	MOTOR DRIVE	OPPOSITE MOTOR DRIVE
26	50-65	10	1	029-21363-004	029-21363-004	029-21363-003	029-21363-003
26			2	029-21363-005	029-21363-004	029-21363-003	029-21363-004
26		15	1	029-21363-005	029-21363-003	029-21363-004	029-21363-004
26			2	029-21363-005	029-21363-004	029-21363-004	029-21363-004
26		20	1	029-21363-005	029-21363-003	029-21363-005	029-21363-004
26			2	029-21363-005	029-21363-004	029-21363-005	029-21363-004
26		25	2	029-21363-006	029-21363-004	029-21363-005	029-21363-005
26		30	2	029-21363-006	029-21363-003	029-21363-006	029-21363-005
26		40	2	029-21363-006	029-21363-002	029-21363-006	029-21363-005
27		70-105	15	1	029-21363-006	029-21363-002	029-21363-005
27	2			029-21363-006	029-21363-002	029-21363-005	029-21363-004
27	20		1	029-21363-006	029-21363-002	029-21363-005	029-21363-004
27			2	029-21363-006	029-21363-002	029-21363-006	029-21363-004
27	25		1	029-21363-006	029-21363-002	029-21363-006	029-21363-005
27			2	029-21363-006	029-21363-002	029-21363-006	029-21363-005
27	30		1	029-21363-006	029-21363-002	029-21363-006	029-21363-005
27			2	029-21363-006	029-21363-002	029-21363-006	029-21363-005
27	40		2	029-21363-008	029-21363-003	029-21363-008	029-21363-006
27	50		2	029-21363-008	029-21363-003	029-21363-008	029-21363-006
27	60		2	029-21363-008	029-21363-003	029-21363-008	029-21363-006

TABLE 44 - SUPPLY FAN (AIR-FOIL) TWO-INCH ISOLATORS

FIG	UNIT SIZE	MOTOR HP	FAN CLASS	BLOWER DRIVE	OPPOSITE BLOWER DRIVE	MOTOR DRIVE	OPPOSITE MOTOR DRIVE
26	50-65	10	1	029-21330-616	029-21330-614	029-21330-618	029-21330-616
26			2	029-21330-616	029-21330-603	029-21330-616	029-21330-614
26		15	1	029-21330-614	029-21330-603	029-21330-603	029-21330-614
26			2	029-21330-614	029-21330-614	029-21330-603	029-21330-614
26		20	1	029-21330-616	029-21330-603	029-21330-614	029-21330-614
26			2	029-21330-616	029-21330-614	029-21330-614	029-21330-614
26		25	2	029-21330-616	029-21330-614	029-21330-616	029-21330-614
26		30	2	029-21330-616	029-21330-614	029-21330-616	029-21330-616
26		40	2	029-21330-616	029-21330-603	029-21330-616	029-21330-616
27		70-105	15	1	029-21330-616	029-21330-602	029-21330-616
27	2			029-21330-616	029-21330-603	029-21330-616	029-21330-616
27	20		1	029-21330-616	029-21330-603	029-21330-616	029-21330-614
27			2	029-21330-616	029-21330-603	029-21330-616	029-21330-614
27	25		1	029-21330-616	029-21330-603	029-21330-616	029-21330-614
27			2	029-21330-616	029-21330-603	029-21330-616	029-21330-614
27	30		1	029-21330-616	029-21330-603	029-21330-616	029-21330-616
27			2	029-21330-616	029-21330-603	029-21330-616	029-21330-616
27	40		2	029-21330-616	029-21330-603	029-21330-616	029-21330-616
27	50		2	029-21330-617	029-21330-603	029-21330-617	029-21330-616
27	60		2	029-21330-617	029-21330-603	029-21330-617	029-21330-616

TABLE 45 - ISOLATOR PART NUMBER IDENTIFICATION BY COLOR

ONE INCH SPRING ISOLATORS		TWO INCH SPRING ISOLATORS	
COLOR	PART NUMBER	COLOR	PART NUMBER
BLUE	029-21363-001	BLUE	029-21330-601
BLUE/PINK	029-21363-002	YELLOW	029-21330-602
BLUE/BLACK	029-21363-003	BLACK	029-21330-603
BLUE/BLUE	029-21363-004	GREEN	029-21330-614
BLACK	029-21363-005	RED	029-21330-616
BLACK/YELLOW	029-21363-006	TAN	029-21330-617
RED/BROWN	029-21363-008	PINK/BLACK	029-21330-618



LD11849A

FIG. 26 - SUPPLY FANS, MOTORS, ISOLATORS, AND DRIVE COMPONENTS (50-65 TON)

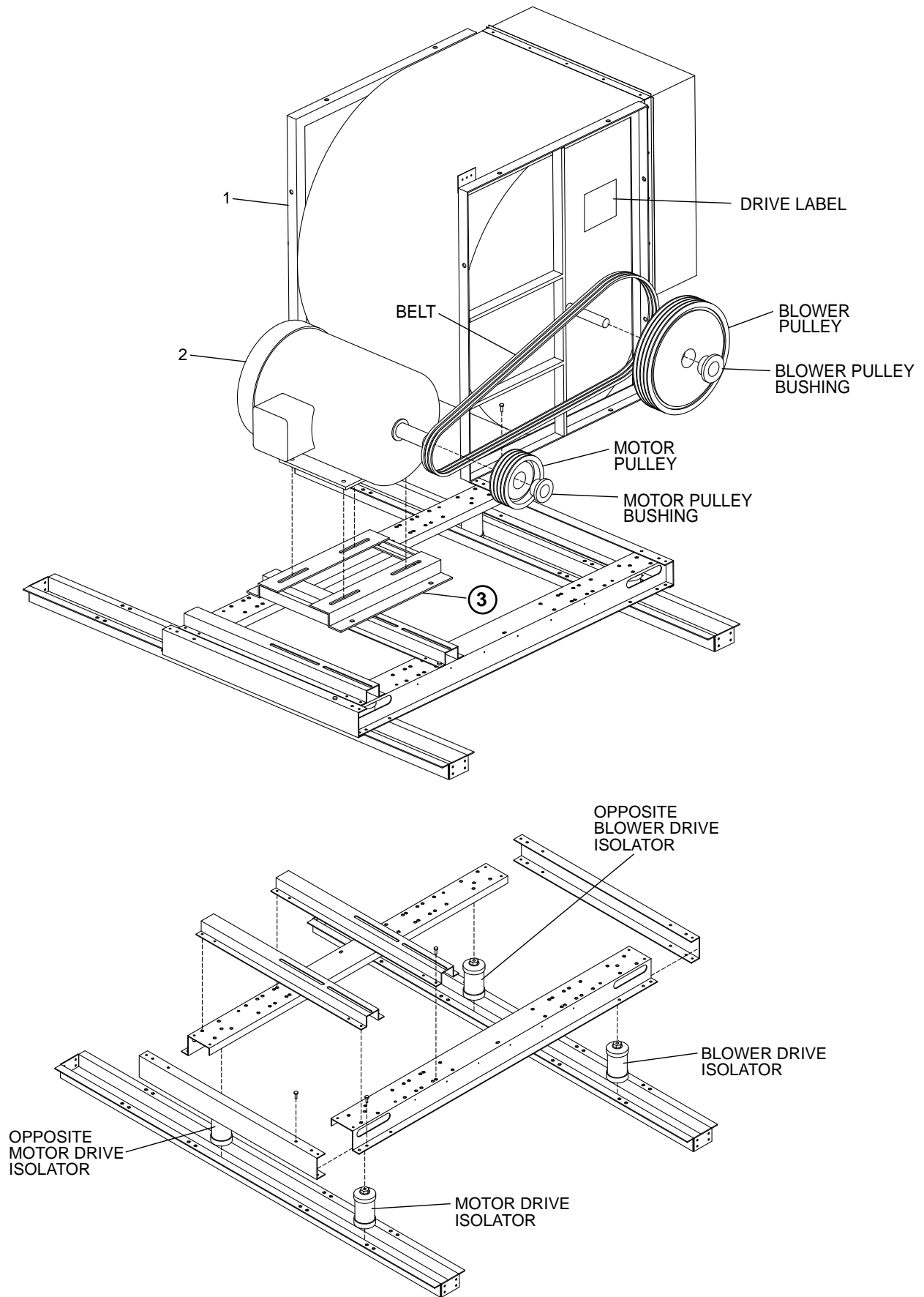
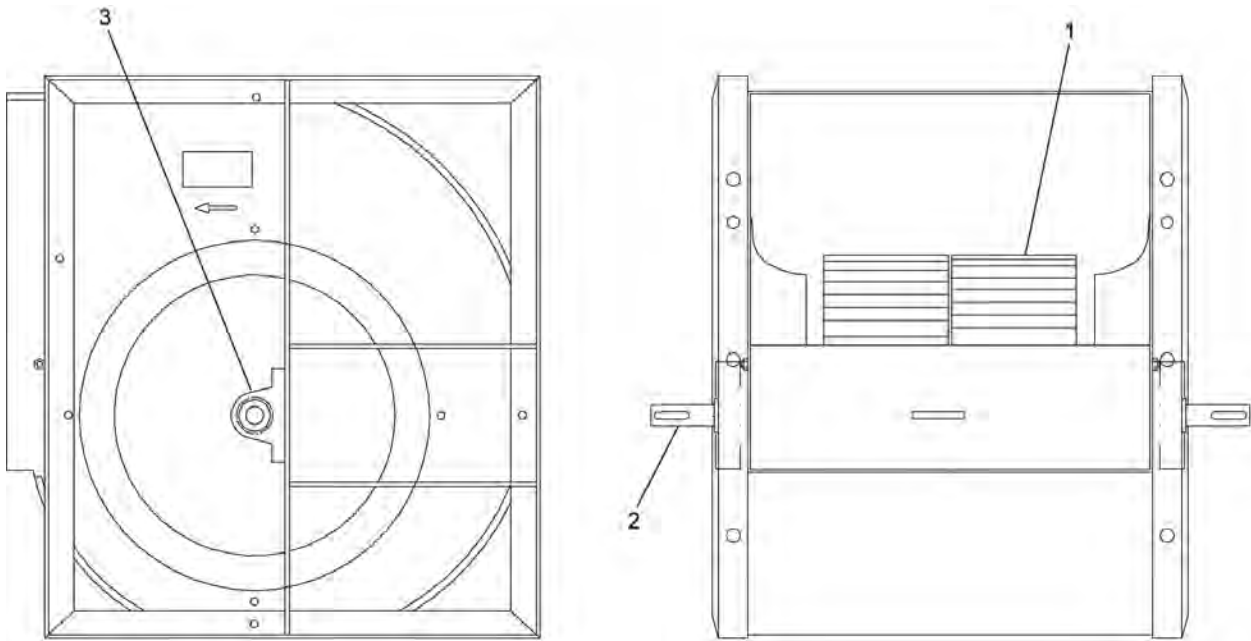


FIG. 27 - SUPPLY FANS, MOTORS, ISOLATORS, AND DRIVE COMPONENTS (70-105 TON)

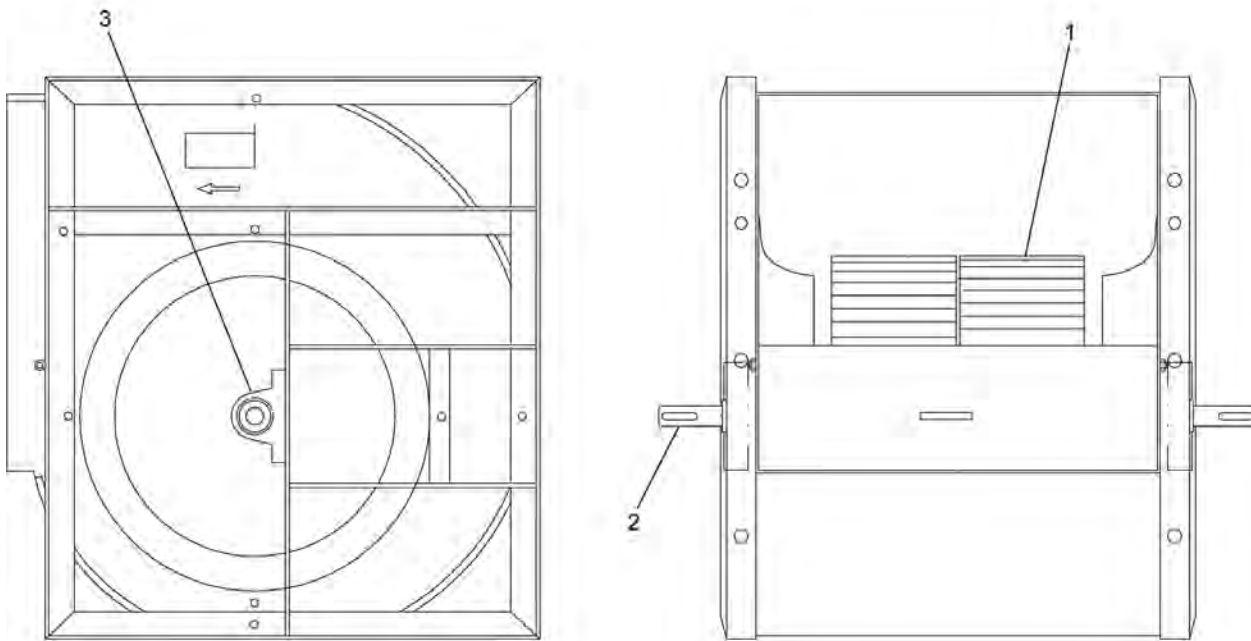
LD11850A

TABLE 46 - SUPPLY FAN REPLACEMENT PARTS

FIG	ITEM	SUPPLY FAN PART NUMBER	TYPE	PART DESCRIPTION	QTY	PART NUMBER
28	1	026-36310-425	FORWARD- CURVED	WHEEL	1	CAJ74600264
28	2			SHAFT	1	CAJ74604384
28	3			BEARING	2	CAJ99913322
28	1	026-36311-428	FORWARD- CURVED	WHEEL	1	CAJ75200263
28	2			SHAFT	1	CAJ75204384
28	3			BEARING	2	CAJ99913322
28	1	026-36311-228	FORWARD- CURVED	WHEEL	1	CAJ75400263
28	2			SHAFT	1	CAJ75404384
28	3			BEARING	2	CAJ99913297
29	1	026-36313-125	AIRFOIL	WHEEL	1	CAJ848E0261
29	2			SHAFT	1	CAJ74804382
29	3			BEARING	2	CAJ99913299
29	1	026-36313-225	AIRFOIL	WHEEL	1	CAJ848E0262
29	2			SHAFT	1	CAJ74804383
29	3			BEARING	2	CAJ99BEA007
29	1	026-36313-132	AIRFOIL	WHEEL	1	CAJ866E0260
29	2			SHAFT	1	CAJ76604382
29	3			BEARING	2	CAJ99913296
29	1	026-36313-232	AIRFOIL	WHEEL	1	CAJ866E0261
29	2			SHAFT	1	CAJ76604383
29	3			BEARING	2	CAJ99BEA005



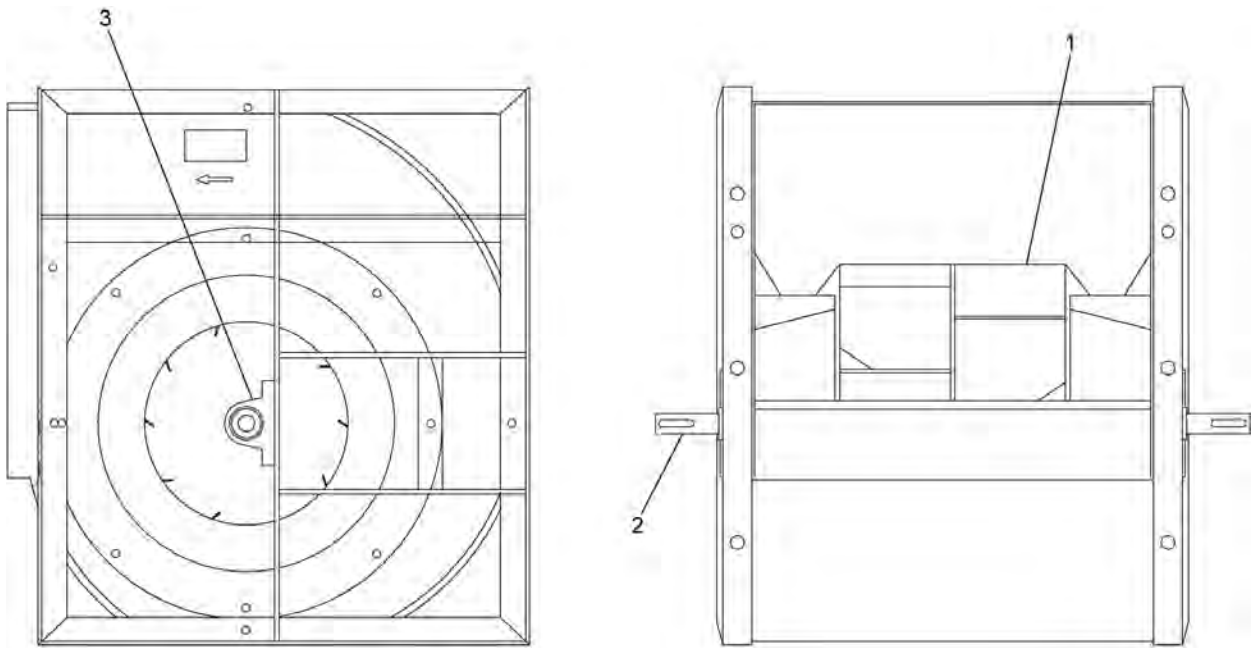
026-36310-425



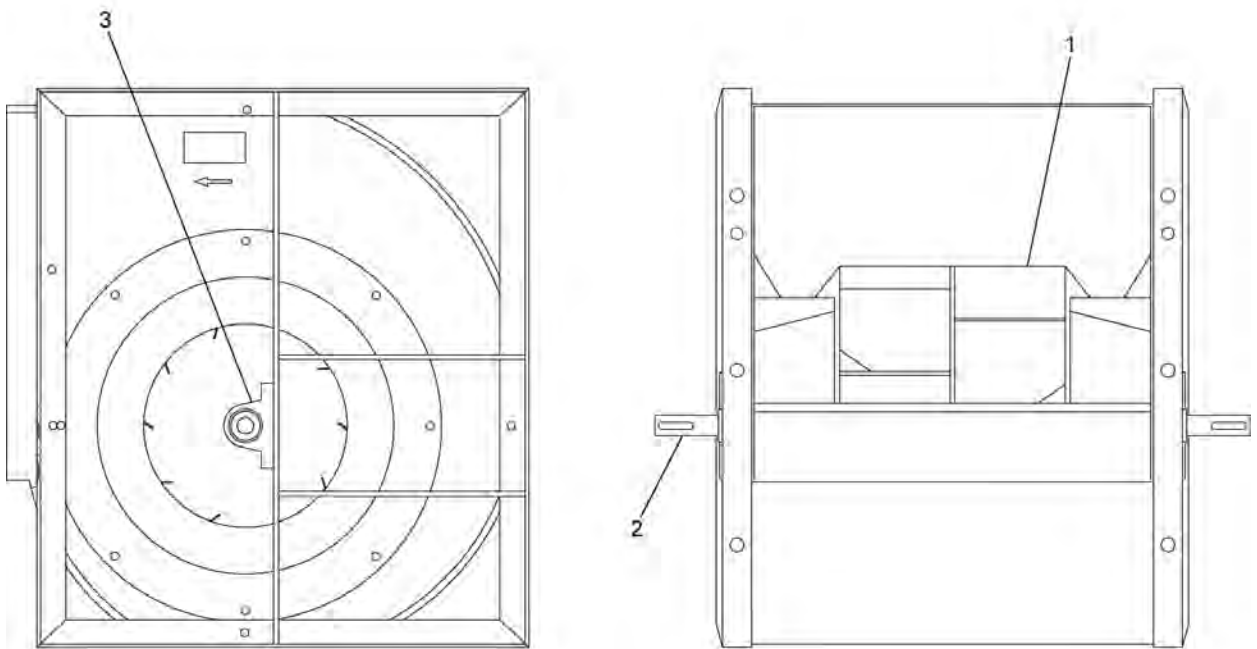
026-36311-428 AND 026-36311-228

LD11852

FIG. 28 - SUPPLY FAN (FORWARD-CURVED) REPLACEMENT PARTS



026-36313-132 AND 026-36313-232



026-36313-125 AND 026-36313-225

LD11851

FIG. 29 - SUPPLY FAN (AIR-FOIL) REPLACEMENT PARTS

TABLE 47 - SUPPLY FAN DRIVES FORWARD CURVE 25-22 (50 - 65 TON)

MOTOR HP	NOM RPM	MOTOR PULLEY	MOTOR PULLEY BUSHING	BLOWER PULLEY	BLOWER PULLEY BUSHING	BELT	BELT QUAN	DRIVE SPEED RPM	DRIVE CENTER DIST
10	500	403B-SH	SH138	1543B-SK	SK2716	BX80	3	488.3	25.0
		423B-SH	SH138	1543B-SK	SK2716	BX80	3	510.5	24.9
		483B-SD	SD138	1603B-SK	SK2716	AX81	3	513.4	24.8
10	550	462B-SDS	SDS138	1542B-SK	SK2716	BX81	2	554.7	25.1
		383B-SH	SH138	1363B-SK	SK2716	BX76	3	526.1	24.7
		403B-SH	SH138	1363B-SK	SK2716	BX77	3	551.1	25.1
10	600	383B-SH	SH138	1243B-SK	SK2716	BX74	3	575.4	24.8
		403B-SH	SH138	1243B-SK	SK2716	BX74	3	602.7	24.7
		463B-SD	SD138	1363B-SK	SK2716	AX77	3	578.9	25.1
10	650	462B-SDS	SDS138	1362B-SK	SK2716	BX77	2	626.0	24.7
		482B-SDS	SDS138	1362B-SK	SK2716	BX78	2	651.0	25.1
		383B-SH	SH138	1103B-SK	SK2716	BX72	3	645.9	25.0
10	700	462B-SDS	SDS138	1242B-SK	SK2716	BX75	2	684.6	24.7
		482B-SDS	SDS138	1242B-SK	SK2716	BX76	2	711.9	25.1
		502B-SDS	SDS138	1362B-SK	SK2716	BX78	2	675.9	24.9
10	750	462B-SDS	SDS138	1102B-SK	SK2716	BX73	2	768.6	24.9
		502B-SDS	SDS138	1242B-SK	SK2716	BX76	2	739.3	25.0
		522B-SDS	SDS138	1242B-SK	SK2716	BX76	2	766.6	24.8
10	800	482B-SDS	SDS138	1102B-SK	SK2716	BX73	2	799.3	24.8
		542B-SDS	SDS138	1242B-SK	SK2716	BX76	2	793.9	24.7
		383B-SH	SH138	863B-SK	SK2716	BX68	3	818.0	25.0
10	850	502B-SDS	SDS138	1102B-SK	SK2716	BX74	2	829.9	25.2
		522B-SDS	SDS138	1102B-SK	SK2716	BX74	2	860.6	25.0
		622B-SDS	SDS138	1242B-SK	SK2716	AX77	2	864.2	25.0
10	900	462B-SDS	SDS138	942B-SK	SK2716	BX70	2	893.9	24.8
		462B-SDS	SDS138	942LB-SF	SF2716	BX70	2	893.9	24.8
		3V4123-SH	SH138	3V803-SK	SK2716	3VX710	3	901.2	25.9
10	950	462B-SDS	SDS138	862B-SK	SK2716	BX69	2	973.3	25.0
		482B-SDS	SDS138	942B-SK	SK2716	BX71	2	929.6	25.1
		502B-SDS	SDS138	942B-SK	SK2716	BX71	2	965.3	25.0
10	1000	482B-SDS	SDS138	862B-SK	SK2716	BX69	2	1012.1	24.8
		522B-SDS	SDS138	942B-SK	SK2716	BX71	2	1000.9	24.8
		482B-SDS	SDS138	862LB-SF	SF2716	BX69	2	1012.1	24.8
15	500	483B-SD	SD158	1843B-SK	SK2716	BX83	3	484.9	23.2
		503B-SD	SD158	1843B-SK	SK2716	BX83	3	503.5	23.0
		523B-SD	SD158	1843B-SK	SK2716	BX83	3	522.1	22.9
15	550	483B-SD	SD158	1603B-SK	SK2716	BX78	3	555.8	22.9
		404B-SD	SD158	1364B-SK	SK2716	BX73	4	551.1	23.1
		3V603-SDS	SDS158	3V1903-SF	SF2716	3VX900	3	552.6	24.5
15	600	483B-SD	SD158	1543B-SK	SK2716	BX77	3	576.9	22.9
		404B-SD	SD158	1244B-SK	SK2716	BX71	4	602.7	23.1
		503B-SD	SD158	1543B-SK	SK2716	BX77	3	599.0	22.8

TABLE 47 - SUPPLY FAN DRIVES FORWARD CURVE 25-22 (50 - 65 TON) (CONT'D)

MOTOR HP	NOM RPM	MOTOR PULLEY	MOTOR PULLEY BUSHING	BLOWER PULLEY	BLOWER PULLEY BUSHING	BELT	BELT QUAN	DRIVE SPEED RPM	DRIVE CENTER DIST
15	650	483B-SD	SD158	1363B-SK	SK2716	BX74	3	651.0	23.0
		424B-SD	SD158	1244B-SK	SK2716	BX71	4	630.0	23.0
		444B-SD	SD158	1244B-SK	SK2716	BX71	4	657.3	22.9
15	700	483B-SD	SD158	1243B-SK	SK2716	BX72	3	711.9	23.1
		503B-SD	SD158	1363B-SK	SK2716	BX74	3	675.9	22.9
		523B-SD	SD158	1363B-SK	SK2716	BX74	3	700.9	22.7
15	750	503B-SD	SD158	1243B-SK	SK2716	BX72	3	739.3	22.9
		523B-SD	SD158	1243B-SK	SK2716	BX72	3	766.6	22.8
		622B-SDS	SDS158	1542B-SK	SK2716	BX79	2	731.8	23.0
15	800	483B-SD	SD158	1103B-SK	SK2716	BX69	3	799.3	22.8
		3V4754-SDS	SDS158	3V1064-SK	SK2716	3VX710	4	784.1	23.3
		623B-SD	SD158	1363B-SK	SK2716	AX75	3	787.1	22.9
15	850	622B-SDS	SDS158	1362B-SK	SK2716	BX76	2	825.8	23.1
		642B-SDS	SDS158	1362B-SK	SK2716	BX76	2	850.8	22.9
		503B-SD	SD158	1103B-SK	SK2716	BX70	3	829.9	23.1
15	900	622B-SDS	SDS158	1242B-SK	SK2716	BX74	2	903.2	23.1
		662B-SDS	SDS158	1362B-SK	SK2716	BX76	2	875.8	22.8
		682B-SDS	SDS158	1362B-SK	SK2716	BX77	2	900.7	23.1
15	950	642B-SDS	SDS158	1242B-SK	SK2716	BX74	2	930.5	22.9
		662B-SDS	SDS158	1242B-SK	SK2716	BX74	2	957.8	22.8
		483B-SD	SD158	943B-SK	SK2716	BX67	3	929.6	23.1
15	1000	622B-SDS	SDS158	1102B-SK	SK2716	BX71	2	1013.9	22.8
		682B-SDS	SDS158	1242B-SK	SK2716	BX75	2	985.1	23.2
		483B-SD	SD158	863B-SK	SK2716	BX65	3	1012.1	22.8
20	500	484B-SD	SD158	1844B-SF	SF2716	BX83	4	484.9	23.2
		504B-SD	SD158	1844B-SF	SF2716	BX83	4	503.5	23.0
		524B-SD	SD158	1844B-SF	SF2716	BX83	4	522.1	22.9
20	550	484B-SD	SD158	1604B-SF	SF2716	BX78	4	555.8	22.9
		3V604-SK	SK158	3V1904-SF	SF2716	3VX900	4	552.6	24.5
		544B-SD	SD158	1844B-SF	SF2716	BX83	4	540.7	22.8
20	600	583B-SD	SD158	1843B-SK	SK2716	BX84	3	577.9	23.0
		603B-SD	SD158	1843B-SK	SK2716	BX84	3	596.5	22.9
		623B-SD	SD158	1843B-SK	SK2716	BX84	3	615.1	22.8
20	650	583B-SD	SD158	1603B-SK	SK2716	BX79	3	662.4	22.7
		484B-SD	SD158	1364B-SK	SK2716	BX74	4	651.0	23.0
		643B-SD	SD158	1843B-SK	SK2716	BX85	3	633.7	23.1
20	700	484B-SD	SD158	1244B-SK	SK2716	BX72	4	711.9	23.1
		583B-SD	SD158	1543B-SK	SK2716	BX78	3	687.5	22.7
		603B-SD	SD158	1543B-SK	SK2716	BX79	3	709.7	23.1
20	750	563B-SD	SD158	1363B-SK	SK2716	BX75	3	750.9	23.0
		563LB-SF	SF158	1363B-SK	SK2716	BX75	3	750.9	23.0
		504B-SD	SD158	1244B-SK	SK2716	BX72	4	739.3	22.9

TABLE 47 - SUPPLY FAN DRIVES FORWARD CURVE 25-22 (50 - 65 TON) (CONT'D)

MOTOR HP	NOM RPM	MOTOR PULLEY	MOTOR PULLEY BUSHING	BLOWER PULLEY	BLOWER PULLEY BUSHING	BELT	BELT QUAN	DRIVE SPEED RPM	DRIVE CENTER DIST
20	800	563B-SD	SD158	1243B-SK	SK2716	BX73	3	821.2	23.0
		583B-SD	SD158	1363B-SK	SK2716	BX75	3	775.9	22.8
		563LB-SF	SF158	1243B-SK	SK2716	BX73	3	821.2	23.0
20	850	583B-SD	SD158	1243B-SK	SK2716	BX73	3	848.5	22.9
		623B-SD	SD158	1363B-SK	SK2716	BX76	3	825.8	23.1
		643B-SD	SD158	1363B-SK	SK2716	BX76	3	850.8	22.9
20	900	563B-SD	SD158	1103B-SK	SK2716	BX70	3	921.9	22.7
		563LB-SF	SF158	1103B-SK	SK2716	BX70	3	921.9	22.7
		603B-SD	SD158	1243B-SK	SK2716	BX73	3	875.8	22.7
20	950	583B-SD	SD158	1103B-SK	SK2716	BX71	3	952.6	23.1
		643B-SD	SD158	1243B-SK	SK2716	BX74	3	930.5	22.9
		583B-SD	SD158	1103LB-SF	SF2716	BX71	3	952.6	23.1
20	1000	603B-SD	SD158	1103B-SK	SK2716	BX71	3	983.3	22.9
		623B-SD	SD158	1103B-SK	SK2716	BX71	3	1013.9	22.8
		603LB-SF	SF158	1103B-SK	SK2716	BX71	3	983.3	22.9
25	550	564B-SD	SD178	1844B-SF	SF2716	BX83	4	559.3	22.6
		485B-SD	SD178	1605B-SF	SF2716	BX77	5	555.8	22.4
		3V605-SK	SK178	3V1905-SF	SF2716	3VX900	3	552.6	24.5
25	600	544B-SD	SD178	1604B-SF	SF2716	BX78	4	619.7	22.5
		584B-SD	SD178	1844B-SF	SF2716	BX83	4	577.9	22.5
		604B-SD	SD178	1844B-SF	SF2716	BX83	4	596.5	22.4
25	650	683B-SD	SD178	1843B-SK	SK2716	BX84	3	670.9	22.4
		544B-SD	SD178	1544B-SF	SF2716	BX77	4	643.3	22.5
		564B-SD	SD178	1544B-SF	SF2716	BX77	4	665.4	22.4
25	700	703B-SK	SK178	1843B-SK	SK2716	BX84	3	689.5	22.2
		584B-SD	SD178	1544B-SF	SF2716	BX77	4	687.5	22.2
		485B-SD	SD178	1245B-SF	SF2716	BX71	5	711.9	22.6
25	750	683B-SD	SD178	1603B-SK	SK2716	BX80	3	769.0	22.5
		544B-SD	SD178	1364B-SK	SK2716	BX74	4	725.9	22.6
		564B-SD	SD178	1364B-SK	SK2716	BX74	4	750.9	22.5
25	800	544B-SD	SD178	1244B-SK	SK2716	BX72	4	793.9	22.6
		564B-SD	SD178	1244B-SK	SK2716	BX72	4	821.2	22.5
		683B-SD	SD178	1543B-SK	SK2716	BX79	3	798.2	22.6
25	850	584B-SD	SD178	1244B-SK	SK2716	BX72	4	848.5	22.4
		743B-SK	SK178	1543B-SK	SK2716	BX80	3	864.6	22.6
		3V506-SK	SK178	3V1066-SF	SF2716	3VX710	6	825.4	23.1
25	900	663B-SD	SD178	1363B-SK	SK2716	BX75	3	875.8	22.3
		683B-SD	SD178	1363B-SK	SK2716	BX76	3	900.7	22.6
		544B-SD	SD178	1104B-SK	SK2716	BX69	4	891.3	22.3
25	950	663B-SD	SD178	1243B-SK	SK2716	BX73	3	957.8	22.3
		703B-SK	SK178	1363B-SK	SK2716	BX76	3	925.7	22.5
		584B-SD	SD178	1104B-SK	SK2716	BX70	4	952.6	22.6

TABLE 47 - SUPPLY FAN DRIVES FORWARD CURVE 25-22 (50 - 65 TON) (CONT'D)

MOTOR HP	NOM RPM	MOTOR PULLEY	MOTOR PULLEY BUSHING	BLOWER PULLEY	BLOWER PULLEY BUSHING	BELT	BELT QUAN	DRIVE SPEED RPM	DRIVE CENTER DIST
25	1000	683B-SD	SD178	1243B-SK	SK2716	BX74	3	985.1	22.6
		703B-SK	SK178	1243B-SK	SK2716	BX74	3	1012.4	22.5
		683LB-SF	SF178	1243B-SK	SK2716	BX74	3	985.1	22.6
30	600	624B-SD	SD178	1844B-SF	SF2716	BX33	4	615.1	22.2
		585B-SK	SK178	1845B-SF	SF2716	BX33	5	577.9	22.5
		605B-SK	SK178	1845B-SF	SF2716	BX33	5	596.5	22.4
30	650	644B-SD	SD178	1844B-SF	SF2716	BX84	4	633.7	22.6
		664B-SD	SD178	1844B-SF	SF2716	BX84	4	652.3	22.5
		684B-SD	SD178	1844B-SF	SF2716	BX84	4	670.9	22.4
30	700	624B-SD	SD178	1604B-SF	SF2716	BX79	4	705.0	22.4
		704B-SK	SK178	1844B-SF	SF2716	BX84	4	689.5	22.2
		585B-SK	SK178	1545B-SF	SF2716	BX77	5	687.5	22.2
30	750	624B-SD	SD178	1544B-SF	SF2716	BX78	4	731.8	22.5
		644B-SD	SD178	1544B-SF	SF2716	BX78	4	753.9	22.3
		644B-SD	SD178	1604B-SF	SF2716	BX79	4	726.4	22.3
30	800	803B-SK	SK178	1843B-SK	SK2716	BX86	3	782.5	22.6
		664B-SD	SD178	1544B-SF	SF2716	BX79	4	776.1	22.7
		545B-SK	SK178	1245B-SF	SF2716	BX72	5	793.9	22.6
30	850	624B-SD	SD178	1364B-SK	SK2716	BX75	4	825.8	22.5
		644B-SD	SD178	1364B-SK	SK2716	BX75	4	850.8	22.4
		863B-SK	SK178	1843B-SK	SK2716	BX87	3	838.3	22.7
30	900	624B-SD	SD178	1244B-SK	SK2716	BX73	4	903.2	22.6
		803B-SK	SK178	1603B-SK	SK2716	BX82	3	897.0	22.7
		664B-SD	SD178	1364B-SK	SK2716	BX75	4	875.8	22.3
30	950	644B-SD	SD178	1244B-SK	SK2716	BX73	4	930.5	22.4
		664B-SD	SD178	1244B-SK	SK2716	BX73	4	957.8	22.3
		803B-SK	SK178	1543B-SK	SK2716	BX80	3	931.0	22.2
30	1000	624B-SD	SD178	1104B-SK	SK2716	BX70	4	1013.9	22.3
		684B-SD	SD178	1244B-SK	SK2716	BX74	4	985.1	22.6
		704B-SK	SK178	1244B-SK	SK2716	BX74	4	1012.4	22.5
40	600	8.5X3C-E	EX2 1/8	24.0X3C-E	EX2 7/16	CX96	3	638.3	22.6
40	650	5V9.0X3-SF	SFX2 1/8	5V23.6X3-E	EX2 7/16	5VX950	3	667.4	20.6
		8.5X3C-E	EX2 1/8	24.0X3C-E	EX2 7/16	CX96	3	638.3	22.6
40	700	5V8.5X3-SF	SFX2 1/8	5V21.2X3-E	EX2 7/16	5VX900	3	701.7	20.7
		8.0X4C-E	EX2 1/8	20.0X4C-E	EX2 7/16	CX85	4	720.6	21.1
40	750	8.5X3C-E	EX2 1/8	20.0X3C-E	EX2 7/16	CX85	3	763.5	20.8
		5V9.0X3-SF	SFX2 1/8	5V21.2X3-E	EX2 7/16	5VX900	3	742.9	20.4
		5V9.25X3-SF	SFX2 1/8	5V21.2X3-E	EX2 7/16	5VX900	3	763.6	20.2
40	800	804B-SK	SK218	1844B-SF	SF2716	BX82	4	782.5	20.5
		866B-SF	SF218	1846B-SF	SF2716	AX82	6	810.2	20.5
		945B-SF	SF218	2005B-E2	E2716	AX86	5	815.4	20.5
40	850	864B-SK	SK218	1844B-SF	SF2716	BX82	4	838.3	20.1
		745B-SF	SF218	1545B-SF	SF2716	BX75	5	864.6	20.1
		944B-SK	SK218	2004B-SF	SF2716	BX86	4	841.2	20.1

TABLE 47 - SUPPLY FAN DRIVES FORWARD CURVE 25-22 (50 - 65 TON) (CONT'D)

MOTOR HP	NOM RPM	MOTOR PULLEY	MOTOR PULLEY BUSHING	BLOWER PULLEY	BLOWER PULLEY BUSHING	BELT	BELT QUAN	DRIVE SPEED RPM	DRIVE CENTER DIST
40	900	804B-SK	SK218	1604B-SF	SF2716	BX77	4	897.0	20.2
		944B-SK	SK218	1844B-SF	SF2716	BX84	4	912.8	20.6
		945B-SF	SF218	1845B-SF	SF2716	AX83	5	886.9	20.4
40	950	804B-SK	SK218	1544B-SF	SF2716	BX76	4	931.0	20.2
		864B-SK	SK218	1604B-SF	SF2716	BX78	4	960.9	20.2
		5V1032-SK	SK218	5V1872-SF	SF2716	5VX880	2	963.9	20.8
40	1000	864B-SK	SK218	1544B-SF	SF2716	BX77	4	997.4	20.3
		745B-SF	SF218	1365B-SF	SF2716	BX72	5	975.7	20.2
		3V806-SK	SK218	3V1406-SF	SF2716	3VX800	6	1000.0	22.5

Model numbers shown are for T B Woods

TABLE 48 - SUPPLY FAN DRIVES FORWARD CURVE 28-25 (70 - 80 TON)

MOTOR HP	NOM RPM	MOTOR PULLEY	MOTOR PULLEY BUSHING	BLOWER PULLEY	BLOWER PULLEY BUSHING	BELT	BELT QTY	DRIVE SPEED RPM	DRIVE CENTER DIST
10	500	4.4X2B-SH	SHX1 3/8	16.0X2B-SK	SKX2 7/16	BX120	2	513.2	44.5
		3.6X3B-SH	SHX1 3/8	13.6X3B-SK	SKX2 7/16	BX112	3	501.2	43.1
		4.4X3B-SH	SHX1 3/8	15.4X3B-SK	SKX2 7/16	AX120	3	487.7	44.8
10	550	4.6X2B-SDS	SDSX1 3/8	15.4X2B-SK	SKX2 7/16	BX116	2	554.8	42.9
		3.6X3B-SH	SHX1 3/8	12.4X3B-SK	SKX2 7/16	BX112	3	548.1	44.1
		4.6X2B-SDS	SDSX1 3/8	16.0X2B-SK	SKX2 7/16	BX120	2	534.5	44.4
10	600	442B-SH	SH138	1362B-SK	SK2716	BX113	2	601.0	43.0
		363B-SH	SH138	1103B-SK	SK2716	BX108	3	615.3	43.3
		443B-SH	SH138	1243B-SK	SK2716	AX110	3	607.1	42.9
10	650	442B-SH	SH138	1242B-SK	SK2716	BX112	2	657.3	43.5
		462B-SDS	SDS138	1362B-SK	SK2716	BX113	2	626.0	42.9
		482B-SDS	SDS138	1362B-SK	SK2716	BX115	2	651.0	43.7
10	700	4.6X2B-SDS	SDSX1 3/8	12.4X2B-SK	SKX2 7/16	BX112	2	684.7	43.4
		4.8X2B-SDS	SDSX1 3/8	12.4X2B-SK	SKX2 7/16	BX112	2	712.0	43.2
		3.6X3B-SH	SHX1 3/8	9.4X3B-SK	SKX2 7/16	BX105	3	715.7	43.1
10	750	442B-SH	SH138	1102B-SK	SK2716	BX112	2	737.9	44.7
		462B-SDS	SDS138	1102B-SK	SK2716	BX112	2	768.6	44.5
		502B-SDS	SDS138	1242B-SK	SK2716	BX112	2	739.3	43.1
10	800	582B-SDS	SDS138	1242B-SK	SK2716	AX112	2	807.1	42.9
		482B-SDS	SDS138	1102B-SK	SK2716	BX112	2	799.3	44.4
		701B-SDS	SDS138	1601B-SK	SK2716	BX123	1	790.3	44.1
10	850	4.4X2B-SH	SHX1 3/8	9.4X2B-SK	SKX2 7/16	BX108	2	858.3	44.0
		4.4X2B-SH	SHX1 3/8	9.4X2LB-SF	SFX2 7/16	BX108	2	858.3	44.0
		5.0X2B-SDS	SDSX1 3/8	11.0X2B-SK	SKX2 7/16	BX112	2	830.0	44.2
15	500	443B-SH	SH158	1603B-SK	SK2716	BX113	3	513.1	41.0
		3V533-SDS	SDS158	3V1903-SF	SF2716	3VX1250	3	488.1	42.9
		3V563-SDS	SDS158	3V1903-SF	SF2716	3VX1250	3	515.7	42.7

TABLE 48 - SUPPLY FAN DRIVES FORWARD CURVE 28-25 (70 - 80 TON) (CONT'D)

MOTOR HP	NOM RPM	MOTOR PULLEY	MOTOR PULLEY BUSHING	BLOWER PULLEY	BLOWER PULLEY BUSHING	BELT	BELT QTY	DRIVE SPEED RPM	DRIVE CENTER DIST
15	550	443B-SH	SH158	1543B-SK	SK2716	BX112	3	532.6	41.0
		463B-SD	SD158	1543B-SK	SK2716	BX113	3	554.7	41.3
		463B-SD	SD158	1603B-SK	SK2716	BX115	3	534.5	41.8
15	600	443B-SH	SH158	1363B-SK	SK2716	BX112	3	601.0	42.5
		582B-SDS	SDS158	1842B-SK	SK2716	BX120	2	577.9	41.4
		602B-SDS	SDS158	1842B-SK	SK2716	BX120	2	596.5	41.3
15	650	443B-SH	SH158	1243B-SK	SK2716	BX108	3	657.3	41.5
		582B-SDS	SDS158	1602B-SK	SK2716	BX115	2	662.4	41.0
		463B-SD	SD158	1363B-SK	SK2716	BX112	3	626.0	42.4
15	700	582B-SDS	SDS158	1542B-SK	SK2716	BX115	2	687.5	41.5
		602B-SDS	SDS158	1542B-SK	SK2716	BX115	2	709.7	41.3
		463B-SD	SD158	1243B-SK	SK2716	BX108	3	684.6	41.4
15	750	443B-SH	SH158	1103B-SK	SK2716	BX105	3	737.9	41.2
		463B-SD	SD158	1103B-SK	SK2716	BX105	3	768.6	41.0
		583B-SD	SD158	1363B-SK	SK2716	AX112	3	735.1	41.9
15	800	6.0X2B-SDS	SDSX1 5/8	13.6X2B-SK	SKX2 7/16	BX112	2	800.9	41.3
		6.0X2LB-SF	SFX1 5/8	13.6X2B-SK	SKX2 7/16	BX112	2	800.9	41.3
		4.8X3B-SD	SDX1 5/8	11.0X3B-SK	SKX2 7/16	BX105	3	799.3	40.9
15	850	582B-SDS	SDS158	1242B-SK	SK2716	BX112	2	848.5	42.5
		443B-SH	SH158	943B-SK	SK2716	BX103	3	858.3	41.5
		622B-SDS	SDS158	1362B-SK	SK2716	BX112	2	825.8	41.2
20	500	444B-SD	SD158	1604B-SF	SF2716	BX113	4	513.1	41.0
		3V534-SDS	SDS158	3V1904-SF	SF2716	3VX1250	4	488.1	42.9
		3V564-SDS	SDS158	3V1904-SF	SF2716	3VX1250	4	515.7	42.7
20	550	5.4X3B-SD	SDX1 5/8	18.4X3B-SK	SKX2 7/16	BX120	3	540.7	41.7
		5.6X3B-SD	SDX1 5/8	18.4X3B-SK	SKX2 7/16	BX120	3	559.3	41.6
		5.6X3LB-SF	SFX1 5/8	18.4X3B-SK	SKX2 7/16	BX120	3	559.3	41.6
20	600	543B-SD	SD158	1603B-SK	SK2716	BX115	3	619.7	41.3
		444B-SD	SD158	1364B-SK	SK2716	BX112	4	601.0	42.5
		583B-SD	SD158	1843B-SK	SK2716	BX120	3	577.9	41.4
20	650	543B-SD	SD158	1543B-SK	SK2716	BX115	3	643.3	41.8
		563B-SD	SD158	1543B-SK	SK2716	BX115	3	665.4	41.6
		444B-SD	SD158	1244B-SK	SK2716	BX108	4	657.3	41.5
20	700	583B-SD	SD158	1543B-SK	SK2716	BX115	3	687.5	41.5
		603B-SD	SD158	1543B-SK	SK2716	BX115	3	709.7	41.3
		464B-SD	SD158	1244B-SK	SK2716	BX108	4	684.6	41.4
20	750	5.6X3B-SD	SDX1 5/8	13.6X3B-SK	SKX2 7/16	BX112	3	750.9	41.6
		5.6X3LB-SF	SFX1 5/8	13.6X3B-SK	SKX2 7/16	BX112	3	750.9	41.6
		4.4X4B-SD	SDX1 5/8	11.0X4B-SK	SKX2 7/16	BX105	4	738.0	41.2
20	800	5.4X3B-SD	SDX1 5/8	12.4X3B-SK	SKX2 7/16	BX108	3	793.9	40.8
		5.6X3B-SD	SDX1 5/8	12.4X3B-SK	SKX2 7/16	BX108	3	821.3	40.6
		5.6X3LB-SF	SFX1 5/8	12.4X3B-SK	SKX2 7/16	BX108	3	821.3	40.6

TABLE 48 - SUPPLY FAN DRIVES FORWARD CURVE 28-25 (70 - 80 TON) (CONT'D)

MOTOR HP	NOM RPM	MOTOR PULLEY	MOTOR PULLEY BUSHING	BLOWER PULLEY	BLOWER PULLEY BUSHING	BELT	BELT QTY	DRIVE SPEED RPM	DRIVE CENTER DIST
20	850	583B-SD	SD158	1243B-SK	SK2716	BX112	3	848.5	42.5
		742B-SK	SK158	1542B-SK	SK2716	BX120	2	864.6	42.8
		742B-SK	SK158	1602B-SK	SK2716	BX120	2	833.0	42.3
25	500	504B-SD	SD178	1844B-SF	SF2716	BX120	4	503.5	42.0
		524B-SD	SD178	1844B-SF	SF2716	BX120	4	522.1	41.8
		3V535-SK	SK178	3V1905-SF	SF2716	3VX1250	5	488.1	42.9
25	550	5.4X4B-SD	SDX1 7/8	18.4X4B-SF	SFX2 7/16	BX120	4	540.7	41.7
		5.6X4B-SD	SDX1 7/8	18.4X4B-SF	SFX2 7/16	BX120	4	559.3	41.6
		4.6X5B-SD	SDX1 7/8	15.4X5B-SF	SFX2 7/16	BX112	5	554.8	40.8
25	600	623B-SD	SD178	1843B-SK	SK2716	BX120	3	615.1	41.1
		524B-SD	SD178	1544B-SF	SF2716	BX113	4	621.1	40.9
		524B-SD	SD178	1604B-SF	SF2716	BX115	4	598.4	41.4
25	650	643B-SD	SD178	1843B-SK	SK2716	BX120	3	633.7	41.0
		663B-SD	SD178	1843B-SK	SK2716	BX120	3	652.3	40.8
		683B-SD	SD178	1843B-SK	SK2716	BX120	3	670.9	40.7
25	700	623B-SD	SD178	1603B-SK	SK2716	BX115	3	705.0	40.7
		504B-SD	SD178	1364B-SK	SK2716	BX112	4	675.9	42.1
		524B-SD	SD178	1364B-SK	SK2716	BX112	4	700.9	41.9
25	750	623B-SD	SD178	1543B-SK	SK2716	BX115	3	731.8	41.2
		643B-SD	SD178	1543B-SK	SK2716	BX115	3	753.9	41.0
		504B-SD	SD178	1244B-SK	SK2716	BX108	4	739.3	41.1
25	800	663B-SD	SD178	1543B-SK	SK2716	BX115	3	776.1	40.9
		683B-SD	SD178	1543B-SK	SK2716	BX115	3	798.2	40.7
		544B-SD	SD178	1244B-SK	SK2716	BX108	4	793.9	40.8
25	850	6.2X3B-SD	SDX1 7/8	13.6X3B-SK	SKX2 7/16	BX112	3	825.9	41.2
		6.4X3B-SD	SDX1 7/8	13.6X3B-SK	SKX2 7/16	BX112	3	850.8	41.0
		5.2X4B-SD	SDX1 7/8	11.0X4B-SK	SKX2 7/16	BX105	4	860.7	40.6
30	500	504B-SD	SD178	1844B-SF	SF2716	BX120	4	503.5	42.0
		524B-SD	SD178	1844B-SF	SF2716	BX120	4	522.1	41.8
		3V535-SK	SK178	3V1905-SF	SF2716	3VX1250	5	488.1	42.9
30	550	584B-SD	SD178	2004B-SF	SF2716	BX123	4	532.6	41.5
		545B-SK	SK178	1845B-SF	SF2716	BX120	5	540.7	41.7
		604B-SD	SD178	2004B-SF	SF2716	BX123	4	549.7	41.4
30	600	584B-SD	SD178	1844B-SF	SF2716	BX120	4	577.9	41.4
		604B-SD	SD178	1844B-SF	SF2716	BX120	4	596.5	41.3
		624B-SD	SD178	1844B-SF	SF2716	BX120	4	615.1	41.1
30	650	584B-SD	SD178	1604B-SF	SF2716	BX115	4	662.4	41.0
		644B-SD	SD178	1844B-SF	SF2716	BX120	4	633.7	41.0
		664B-SD	SD178	1844B-SF	SF2716	BX120	4	652.3	40.8
30	700	584B-SD	SD178	1544B-SF	SF2716	BX115	4	687.5	41.5
		604B-SD	SD178	1544B-SF	SF2716	BX115	4	709.7	41.3
		604B-SD	SD178	1604B-SF	SF2716	BX115	4	683.7	40.8

TABLE 48 - SUPPLY FAN DRIVES FORWARD CURVE 28-25 (70 - 80 TON) (CONT'D)

MOTOR HP	NOM RPM	MOTOR PULLEY	MOTOR PULLEY BUSHING	BLOWER PULLEY	BLOWER PULLEY BUSHING	BELT	BELT QTY	DRIVE SPEED RPM	DRIVE CENTER DIST
30	750	743B-SK	SK178	1843B-SK	SK2716	BX123	3	726.7	41.8
		624B-SD	SD178	1544B-SF	SF2716	BX115	4	731.8	41.2
		644B-SD	SD178	1544B-SF	SF2716	BX115	4	753.9	41.0
30	800	584B-SD	SD178	1364B-SK	SK2716	BX112	4	775.9	41.5
		604B-SD	SD178	1364B-SK	SK2716	BX112	4	800.8	41.3
		803B-SK	SK178	1843B-SK	SK2716	BX123	3	782.5	41.3
30	850	743B-SK	SK178	1543B-SK	SK2716	BX116	3	864.6	40.8
		584B-SD	SD178	1244B-SK	SK2716	BX112	4	848.5	42.5
		743B-SK	SK178	1603B-SK	SK2716	BX120	3	833.0	42.3
40	600	8.0X3C-E	EX2 1/8	24.0X3C-E	EX2 7/16	CX128	3	602.5	39.5
		5V8.0X3-SF	SFX2 1/8	5V23.6X3-E	EX2 7/16	5VX1320	3	593.2	40.4
40	650	685B-SK	SK218	1845B-SF	SF2716	BX115	5	670.9	38.2
		744B-SK	SK218	2004B-SF	SF2716	BX120	4	669.8	38.9
		705B-SF	SF218	2005B-E2	E2716	BX120	5	635.5	39.2
40	700	804B-SK	SK218	2004B-SF	SF2716	BX120	4	721.2	38.4
		705B-SF	SF218	1845B-SF	SF2716	BX115	5	689.5	38.0
		746B-SF	SF218	1846B-SF	SF2716	AX120	6	695.2	40.6
40	750	744B-SK	SK218	1844B-SF	SF2716	BX115	4	726.7	37.7
		3V805-SK	SK218	3V1905-SF	SF2716	3VX1250	5	736.8	40.9
		685B-SK	SK218	1605B-SF	SF2716	BX112	5	769.0	38.7
40	800	804B-SK	SK218	1844B-SF	SF2716	BX116	4	782.5	37.8
		685B-SK	SK218	1545B-SF	SF2716	BX112	5	798.2	39.2
		705B-SF	SF218	1545B-SF	SF2716	BX112	5	820.3	39.1
40	850	743B-SK	SK178	1543B-SK	SK2716	BX116	3	864.6	40.8
		584B-SD	SD178	1244B-SK	SK2716	BX112	4	848.5	42.5
		743B-SK	SK178	1603B-SK	SK2716	BX120	3	833.0	42.3
50	700	9.5X3C-E	EX2 1/8	24.0X3C-E	EX2 7/16	CX128	3	710.0	38.5
		5V9.25X3-SF	SFX2 1/8	5V23.6X3-E	EX2 7/16	5VX1320	3	685.9	39.5
50	750	5V9.25X3-SF	SFX2 1/8	5V21.2X3-E	EX2 7/16	5VX1250	3	763.6	38.1
50	800	946B-SF	SF218	2006B-E2	E2716	AX120	6	815.4	37.8
		5V9753-SF	SF218	5V2123-E2	E2716	5VX1250	3	804.8	37.8
		1053C-E2	E218	2403C-E2	E2716	CX128	3	781.7	37.8
50	850	864B-SK	SK218	1844B-SF	SF2716	BX120	4	838.3	39.4
		944B-SK	SK218	2004B-SF	SF2716	BX123	4	841.2	38.9
		5V903-SF	SF218	5V1873-E2	E2716	5VX1230	3	842.2	39.4

Model numbers shown are for T B Woods

TABLE 49 - SUPPLY FAN DRIVES FORWARD CURVE 28-28 (90 - 105 TON)

MOTOR HP	NOM RPM	MOTOR PULLEY	MOTOR PULLEY BUSHING	BLOWER PULLEY	BLOWER PULLEY BUSHING	BELT	BELT QTY	DRIVE SPEED RPM	DRIVE CENTER DIST
10	500	4.4X2B-SH	SHX1 3/8	16.0X2B-SK	SKX2 7/16	BX120	2	513.2	44.5
		3.6X3B-SH	SHX1 3/8	13.6X3B-SK	SKX2 7/16	BX112	3	501.2	43.1
		4.4X3B-SH	SHX1 3/8	15.4X3B-SK	SKX2 7/16	AX120	3	487.7	44.8
10	550	4.6X2B-SDS	SDSX1 3/8	15.4X2B-SK	SKX2 7/16	BX116	2	554.8	42.9
		3.6X3B-SH	SHX1 3/8	12.4X3B-SK	SKX2 7/16	BX112	3	548.1	44.1
		4.6X2B-SDS	SDSX1 3/8	16.0X2B-SK	SKX2 7/16	BX120	2	534.5	44.4
10	600	442B-SH	SH138	1362B-SK	SK2716	BX113	2	601.0	43.0
		363B-SH	SH138	1103B-SK	SK2716	BX108	3	615.3	43.3
		443B-SH	SH138	1243B-SK	SK2716	AX110	3	607.1	42.9
10	650	442B-SH	SH138	1242B-SK	SK2716	BX112	2	657.3	43.5
		462B-SDS	SDS138	1362B-SK	SK2716	BX113	2	626.0	42.9
		482B-SDS	SDS138	1362B-SK	SK2716	BX115	2	651.0	43.7
10	700	4.6X2B-SDS	SDSX1 3/8	12.4X2B-SK	SKX2 7/16	BX112	2	684.7	43.4
		4.8X2B-SDS	SDSX1 3/8	12.4X2B-SK	SKX2 7/16	BX112	2	712.0	43.2
		3.6X3B-SH	SHX1 3/8	9.4X3B-SK	SKX2 7/16	BX105	3	715.7	43.1
10	750	442B-SH	SH138	1102B-SK	SK2716	BX112	2	737.9	44.7
		462B-SDS	SDS138	1102B-SK	SK2716	BX112	2	768.6	44.5
		502B-SDS	SDS138	1242B-SK	SK2716	BX112	2	739.3	43.1
10	800	582B-SDS	SDS138	1242B-SK	SK2716	AX112	2	807.1	42.9
		482B-SDS	SDS138	1102B-SK	SK2716	BX112	2	799.3	44.4
		701B-SDS	SDS138	1601B-SK	SK2716	BX123	1	790.3	44.1
10	850	4.4X2B-SH	SHX1 3/8	9.4X2B-SK	SKX2 7/16	BX108	2	858.3	44.0
		4.4X2B-SH	SHX1 3/8	9.4X2LB-SF	SFX2 7/16	BX108	2	858.3	44.0
		5.0X2B-SDS	SDSX1 3/8	11.0X2B-SK	SKX2 7/16	BX112	2	830.0	44.2
15	500	443B-SH	SH158	1603B-SK	SK2716	BX113	3	513.1	41.0
		3V533-SDS	SDS158	3V1903-SF	SF2716	3VX1250	3	488.1	42.9
		3V563-SDS	SDS158	3V1903-SF	SF2716	3VX1250	3	515.7	42.7
15	550	443B-SH	SH158	1543B-SK	SK2716	BX112	3	532.6	41.0
		463B-SD	SD158	1543B-SK	SK2716	BX113	3	554.7	41.3
		463B-SD	SD158	1603B-SK	SK2716	BX115	3	534.5	41.8
15	600	443B-SH	SH158	1363B-SK	SK2716	BX112	3	601.0	42.5
		582B-SDS	SDS158	1842B-SK	SK2716	BX120	2	577.9	41.4
		602B-SDS	SDS158	1842B-SK	SK2716	BX120	2	596.5	41.3
15	650	443B-SH	SH158	1243B-SK	SK2716	BX108	3	657.3	41.5
		582B-SDS	SDS158	1602B-SK	SK2716	BX115	2	662.4	41.0
		463B-SD	SD158	1363B-SK	SK2716	BX112	3	626.0	42.4
15	700	582B-SDS	SDS158	1542B-SK	SK2716	BX115	2	687.5	41.5
		602B-SDS	SDS158	1542B-SK	SK2716	BX115	2	709.7	41.3
		463B-SD	SD158	1243B-SK	SK2716	BX108	3	684.6	41.4
15	750	443B-SH	SH158	1103B-SK	SK2716	BX105	3	737.9	41.2
		463B-SD	SD158	1103B-SK	SK2716	BX105	3	768.6	41.0
		583B-SD	SD158	1363B-SK	SK2716	AX112	3	735.1	41.9

TABLE 49 - SUPPLY FAN DRIVES FORWARD CURVE 28-28 (90 - 105 TON) (CONT'D)

MOTOR HP	NOM RPM	MOTOR PULLEY	MOTOR PULLEY BUSHING	BLOWER PULLEY	BLOWER PULLEY BUSHING	BELT	BELT QTY	DRIVE SPEED RPM	DRIVE CENTER DIST
15	800	6.0X2B-SDS	SDSX1 5/8	13.6X2B-SK	SKX2 7/16	BX112	2	800.9	41.3
		6.0X2LB-SF	SFX1 5/8	13.6X2B-SK	SKX2 7/16	BX112	2	800.9	41.3
		4.8X3B-SD	SDX1 5/8	11.0X3B-SK	SKX2 7/16	BX105	3	799.3	40.9
15	850	582B-SDS	SDS158	1242B-SK	SK2716	BX112	2	848.5	42.5
		443B-SH	SH158	943B-SK	SK2716	BX103	3	858.3	41.5
		622B-SDS	SDS158	1362B-SK	SK2716	BX112	2	825.8	41.2
20	500	444B-SD	SD158	1604B-SF	SF2716	BX113	4	513.1	41.0
		3V534-SDS	SDS158	3V1904-SF	SF2716	3VX1250	4	488.1	42.9
		3V564-SDS	SDS158	3V1904-SF	SF2716	3VX1250	4	515.7	42.7
20	550	5.4X3B-SD	SDX1 5/8	18.4X3B-SK	SKX2 7/16	BX120	3	540.7	41.7
		5.6X3B-SD	SDX1 5/8	18.4X3B-SK	SKX2 7/16	BX120	3	559.3	41.6
		5.6X3LB-SF	SFX1 5/8	18.4X3B-SK	SKX2 7/16	BX120	3	559.3	41.6
20	600	543B-SD	SD158	1603B-SK	SK2716	BX115	3	619.7	41.3
		444B-SD	SD158	1364B-SK	SK2716	BX112	4	601.0	42.5
		583B-SD	SD158	1843B-SK	SK2716	BX120	3	577.9	41.4
20	650	543B-SD	SD158	1543B-SK	SK2716	BX115	3	643.3	41.8
		563B-SD	SD158	1543B-SK	SK2716	BX115	3	665.4	41.6
		444B-SD	SD158	1244B-SK	SK2716	BX108	4	657.3	41.5
20	700	583B-SD	SD158	1543B-SK	SK2716	BX115	3	687.5	41.5
		603B-SD	SD158	1543B-SK	SK2716	BX115	3	709.7	41.3
		464B-SD	SD158	1244B-SK	SK2716	BX108	4	684.6	41.4
20	750	5.6X3B-SD	SDX1 5/8	13.6X3B-SK	SKX2 7/16	BX112	3	750.9	41.6
		5.6X3LB-SF	SFX1 5/8	13.6X3B-SK	SKX2 7/16	BX112	3	750.9	41.6
		4.4X4B-SD	SDX1 5/8	11.0X4B-SK	SKX2 7/16	BX105	4	738.0	41.2
20	800	5.4X3B-SD	SDX1 5/8	12.4X3B-SK	SKX2 7/16	BX108	3	793.9	40.8
		5.6X3B-SD	SDX1 5/8	12.4X3B-SK	SKX2 7/16	BX108	3	821.3	40.6
		5.6X3LB-SF	SFX1 5/8	12.4X3B-SK	SKX2 7/16	BX108	3	821.3	40.6
20	850	583B-SD	SD158	1243B-SK	SK2716	BX112	3	848.5	42.5
		742B-SK	SK158	1542B-SK	SK2716	BX120	2	864.6	42.8
		742B-SK	SK158	1602B-SK	SK2716	BX120	2	833.0	42.3
25	500	504B-SD	SD178	1844B-SF	SF2716	BX120	4	503.5	42.0
		524B-SD	SD178	1844B-SF	SF2716	BX120	4	522.1	41.8
		3V535-SK	SK178	3V1905-SF	SF2716	3VX1250	5	488.1	42.9
25	550	5.4X4B-SD	SDX1 7/8	18.4X4B-SF	SFX2 7/16	BX120	4	540.7	41.7
		5.6X4B-SD	SDX1 7/8	18.4X4B-SF	SFX2 7/16	BX120	4	559.3	41.6
		4.6X5B-SD	SDX1 7/8	15.4X5B-SF	SFX2 7/16	BX112	5	554.8	40.8
25	600	623B-SD	SD178	1843B-SK	SK2716	BX120	3	615.1	41.1
		524B-SD	SD178	1544B-SF	SF2716	BX113	4	621.1	40.9
		524B-SD	SD178	1604B-SF	SF2716	BX115	4	598.4	41.4
25	650	643B-SD	SD178	1843B-SK	SK2716	BX120	3	633.7	41.0
		663B-SD	SD178	1843B-SK	SK2716	BX120	3	652.3	40.8
		683B-SD	SD178	1843B-SK	SK2716	BX120	3	670.9	40.7

TABLE 49 - SUPPLY FAN DRIVES FORWARD CURVE 28-28 (90 - 105 TON) (CONT'D)

MOTOR HP	NOM RPM	MOTOR PULLEY	MOTOR PULLEY BUSHING	BLOWER PULLEY	BLOWER PULLEY BUSHING	BELT	BELT QTY	DRIVE SPEED RPM	DRIVE CENTER DIST
25	700	623B-SD	SD178	1603B-SK	SK2716	BX115	3	705.0	40.7
		504B-SD	SD178	1364B-SK	SK2716	BX112	4	675.9	42.1
		524B-SD	SD178	1364B-SK	SK2716	BX112	4	700.9	41.9
25	750	623B-SD	SD178	1543B-SK	SK2716	BX115	3	731.8	41.2
		643B-SD	SD178	1543B-SK	SK2716	BX115	3	753.9	41.0
		504B-SD	SD178	1244B-SK	SK2716	BX108	4	739.3	41.1
25	800	663B-SD	SD178	1543B-SK	SK2716	BX115	3	776.1	40.9
		683B-SD	SD178	1543B-SK	SK2716	BX115	3	798.2	40.7
		544B-SD	SD178	1244B-SK	SK2716	BX108	4	793.9	40.8
25	850	6.2X3B-SD	SDX1 7/8	13.6X3B-SK	SKX2 7/16	BX112	3	825.9	41.2
		6.4X3B-SD	SDX1 7/8	13.6X3B-SK	SKX2 7/16	BX112	3	850.8	41.0
		5.2X4B-SD	SDX1 7/8	11.0X4B-SK	SKX2 7/16	BX105	4	860.7	40.6
30	550	584B-SD	SD178	2004B-SF	SF2716	BX123	4	532.6	41.5
		545B-SK	SK178	1845B-SF	SF2716	BX120	5	540.7	41.7
		604B-SD	SD178	2004B-SF	SF2716	BX123	4	549.7	41.4
30	600	584B-SD	SD178	1844B-SF	SF2716	BX120	4	577.9	41.4
		604B-SD	SD178	1844B-SF	SF2716	BX120	4	596.5	41.3
		624B-SD	SD178	1844B-SF	SF2716	BX120	4	615.1	41.1
30	650	584B-SD	SD178	1604B-SF	SF2716	BX115	4	662.4	41.0
		644B-SD	SD178	1844B-SF	SF2716	BX120	4	633.7	41.0
		664B-SD	SD178	1844B-SF	SF2716	BX120	4	652.3	40.8
30	700	584B-SD	SD178	1544B-SF	SF2716	BX115	4	687.5	41.5
		604B-SD	SD178	1544B-SF	SF2716	BX115	4	709.7	41.3
		604B-SD	SD178	1604B-SF	SF2716	BX115	4	683.7	40.8
30	750	743B-SK	SK178	1843B-SK	SK2716	BX123	3	726.7	41.8
		624B-SD	SD178	1544B-SF	SF2716	BX115	4	731.8	41.2
		644B-SD	SD178	1544B-SF	SF2716	BX115	4	753.9	41.0
30	800	584B-SD	SD178	1364B-SK	SK2716	BX112	4	775.9	41.5
		604B-SD	SD178	1364B-SK	SK2716	BX112	4	800.8	41.3
		803B-SK	SK178	1843B-SK	SK2716	BX123	3	782.5	41.3
30	850	743B-SK	SK178	1543B-SK	SK2716	BX116	3	864.6	40.8
		584B-SD	SD178	1244B-SK	SK2716	BX112	4	848.5	42.5
		743B-SK	SK178	1603B-SK	SK2716	BX120	3	833.0	42.3
40	600	8.0X3C-E	EX2 1/8	24.0X3C-E	EX2 7/16	CX128	3	602.5	39.5
		5V8.0X3-SF	SFX2 1/8	5V23.6X3-E	EX2 7/16	5VX1320	3	593.2	40.4
40	650	685B-SK	SK218	1845B-SF	SF2716	BX115	5	670.9	38.2
		744B-SK	SK218	2004B-SF	SF2716	BX120	4	669.8	38.9
		705B-SF	SF218	2005B-E2	E2716	BX120	5	635.5	39.2
40	700	804B-SK	SK218	2004B-SF	SF2716	BX120	4	721.2	38.4
		705B-SF	SF218	1845B-SF	SF2716	BX115	5	689.5	38.0
		746B-SF	SF218	1846B-SF	SF2716	AX120	6	695.2	40.6
40	750	744B-SK	SK218	1844B-SF	SF2716	BX115	4	726.7	37.7
		3V805-SK	SK218	3V1905-SF	SF2716	3VX1250	5	736.8	40.9
		685B-SK	SK218	1605B-SF	SF2716	BX112	5	769.0	38.7

TABLE 49 - SUPPLY FAN DRIVES FORWARD CURVE 28-28 (90 - 105 TON) (CONT'D)

MOTOR HP	NOM RPM	MOTOR PULLEY	MOTOR PULLEY BUSHING	BLOWER PULLEY	BLOWER PULLEY BUSHING	BELT	BELT QTY	DRIVE SPEED RPM	DRIVE CENTER DIST
40	800	804B-SK	SK218	1844B-SF	SF2716	BX116	4	782.5	37.8
		685B-SK	SK218	1545B-SF	SF2716	BX112	5	798.2	39.2
		705B-SF	SF218	1545B-SF	SF2716	BX112	5	820.3	39.1
40	850	743B-SK	SK178	1543B-SK	SK2716	BX116	3	864.6	40.8
		584B-SD	SD178	1244B-SK	SK2716	BX112	4	848.5	42.5
		743B-SK	SK178	1603B-SK	SK2716	BX120	3	833.0	42.3
50	700	9.5X3C-E	EX2 1/8	24.0X3C-E	EX2 7/16	CX128	3	710.0	38.5
		5V9.25X3-SF	SFX2 1/8	5V23.6X3-E	EX2 7/16	5VX1320	3	685.9	39.5
50	750	5V9.25X3-SF	SFX2 1/8	5V21.2X3-E	EX2 7/16	5VX1250	3	763.6	38.1
50	800	946B-SF	SF218	2006B-E2	E2716	AX120	6	815.4	37.8
		5V9753-SF	SF218	5V2123-E2	E2716	5VX1250	3	804.8	37.8
		1053C-E2	E218	2403C-E2	E2716	CX128	3	781.7	37.8
50	850	864B-SK	SK218	1844B-SF	SF2716	BX120	4	838.3	39.4
		944B-SK	SK218	2004B-SF	SF2716	BX123	4	841.2	38.9
		5V903-SF	SF218	5V1873-E2	E2716	5VX1230	3	842.2	39.4
60	800	5V10.9X3-SF	SFX2 3/8	5V23.6X3-E	EX2 7/16	5VX1320	3	808.3	38.4
		11.0X3C-E	EX2 3/8	24.0X3C-E	EX2 7/16	CX128	3	817.6	37.4
60	850	5V11.3X3-SF	SFX2 3/8	5V23.6X3-E	EX2 7/16	5VX1320	3	837.9	38.1
		5V11.8X3-SF	SFX2 3/8	5V23.6X3-E	EX2 7/16	5VX1320	3	875.0	37.7

Model numbers shown are for T B Woods

TABLE 50 - SUPPLY FAN DRIVES AIRFOIL 25-25 CLASS 1 (50 - 65 TON)

MOTOR HP	NOM RPM	MOTOR PULLEY	MOTOR PULLEY BUSHING	BLOWER PULLEY	BLOWER PULLEY BUSHING	BELT QTY	BELT	DRIVE SPEED RPM	DRIVE CENTER DIST
10	1100	4.6X2B-SDS	SDSX1 3/8	7.4X2B-SK	SKX1 11/16	2	BX67	1123	24.93
		4.8X2B-SDS	SDSX1 3/8	8.0X2B-SK	SKX1 11/16	2	BX68	1084	24.79
		5.0X2B-SDS	SDSX1 3/8	8.0X2B-SK	SKX1 11/16	2	BX69	1126	25.14
10	1200	4.8X2B-SDS	SDSX1 3/8	7.0X2B-SK	SKX1 11/16	2	BX67	1231	25.10
		3.8X3B-SH	SHX1 3/8	5.6X3B-SD	SDX1 11/16	3	BX63	1226	25.00
		4.8X2B-SDS	SDSX1 3/8	7.4X2B-SK	SKX1 11/16	2	BX67	1168	24.78
10	1300	4.8X2B-SDS	SDSX1 3/8	6.6X2B-SDS	SDSX1 11/16	2	BX66	1301	24.93
		4.8X2B-SDS	SDSX1 3/8	6.8X2B-SDS	SDSX1 11/16	2	BX66	1265	24.76
		5.0X2B-SDS	SDSX1 3/8	6.8X2B-SDS	SDSX1 11/16	2	BX67	1313	25.11
10	1400	4.8X2B-SDS	SDSX1 3/8	6.0X2B-SDS	SDSX1 11/16	2	BX65	1423	24.91
		4.8X2B-SDS	SDSX1 3/8	6.2X2B-SDS	SDSX1 11/16	2	BX65	1380	24.75
		5.0X2B-SDS	SDSX1 3/8	6.2X2B-SDS	SDSX1 11/16	2	BX66	1432	25.09
10	1500	4.8X2B-SDS	SDSX1 3/8	5.6X2B-SDS	SDSX1 11/16	2	BX64	1517	24.72
		4.8X2B-SDS	SDSX1 3/8	5.8X2B-SDS	SDSX1 11/16	2	BX65	1468	25.06
		5.0X2B-SDS	SDSX1 3/8	5.8X2B-SDS	SDSX1 11/16	2	BX65	1525	24.91
10	1600	4.8X2B-SDS	SDSX1 3/8	5.2X2B-SDS	SDSX1 11/16	2	BX64	1625	25.04
		4.8X2B-SDS	SDSX1 3/8	5.4X2B-SDS	SDSX1 11/16	2	BX64	1569	24.88
		5.0X2B-SDS	SDSX1 3/8	5.4X2B-SDS	SDSX1 11/16	2	BX64	1630	24.73
10	1700	5.0X2B-SDS	SDSX1 3/8	5.0X2B-SDS	SDSX1 11/16	2	BX64	1750	25.04
		5.0X2B-SDS	SDSX1 3/8	5.2X2B-SDS	SDSX1 11/16	2	BX64	1688	24.88
		5.2X2B-SDS	SDSX1 3/8	5.2X2B-SDS	SDSX1 11/16	2	BX64	1750	24.73
15	1100	6.6X2B-SDS	SDSX1 5/8	11.0X2B-SK	SKX1 11/16	2	BX72	1075	22.97
		6.8X2B-SDS	SDSX1 5/8	11.0X2B-SK	SKX1 11/16	2	BX72	1106	22.82
		4.8X3B-SD	SDX1 5/8	8.0X3B-SK	SKX1 11/16	3	BX64	1084	22.79
15	1200	6.2X2B-SDS	SDSX1 5/8	9.4X2B-SK	SKX1 11/16	2	BX69	1179	23.09
		6.4X2B-SDS	SDSX1 5/8	9.4X2B-SK	SKX1 11/16	2	BX69	1215	22.94
		4.8X3B-SD	SDX1 5/8	7.0X3B-SK	SKX1 11/16	3	BX63	1231	23.10
15	1300	6.2X2B-SDS	SDSX1 5/8	8.6X2B-SK	SKX1 11/16	2	BX67	1284	22.74
		6.4X2B-SDS	SDSX1 5/8	8.6X2B-SK	SKX1 11/16	2	BX68	1323	23.09
		6.8X2B-SDS	SDSX1 5/8	9.4X2B-SK	SKX1 11/16	2	BX70	1286	23.14
15	1400	6.2X2B-SDS	SDSX1 5/8	8.0X2B-SK	SKX1 11/16	2	BX66	1376	22.72
		6.4X2B-SDS	SDSX1 5/8	8.0X2B-SK	SKX1 11/16	2	BX67	1417	23.07
		4.8X3B-SD	SDX1 5/8	6.0X3B-SD	SDX1 11/16	3	BX61	1423	22.90
15	1500	6.2X2B-SDS	SDSX1 5/8	7.4X2B-SK	SKX1 11/16	2	BX65	1481	22.71
		4.8X3B-SD	SDX1 5/8	5.6X3B-SD	SDX1 11/16	3	BX60	1517	22.72
		6.4X2B-SDS	SDSX1 5/8	7.4X2B-SK	SKX1 11/16	2	BX66	1526	23.05
15	1600	4.8X3B-SD	SDX1 5/8	5.4X3B-SD	SDX1 11/16	3	BX60	1569	22.88
		5.0X3B-SD	SDX1 5/8	5.4X3B-SD	SDX1 11/16	3	BX60	1630	22.73
		6.4X2B-SDS	SDSX1 5/8	7.0X2B-SK	SKX1 11/16	2	BX65	1608	22.87
15	1700	6.4X2B-SDS	SDSX1 5/8	6.4X2B-SDS	SDSX1 11/16	2	BX64	1750	22.84
		6.4X2B-SDS	SDSX1 5/8	6.6X2B-SDS	SDSX1 11/16	2	BX65	1700	23.18
		6.6X2B-SDS	SDSX1 5/8	6.6X2B-SDS	SDSX1 11/16	2	BX65	1750	23.03

TABLE 50 - SUPPLY FAN DRIVES AIRFOIL 25-25 CLASS 1 (50 - 65 TON) (CONT'D)

MOTOR HP	NOM RPM	MOTOR PULLEY	MOTOR PULLEY BUSHING	BLOWER PULLEY	BLOWER PULLEY BUSHING	BELT QTY	BELT	DRIVE SPEED RPM	DRIVE CENTER DIST
20	1100	5.8X3B-SD	SDX1 5/8	9.4X3B-SK	SKX1 11/16	3	BX68	1108	22.89
		8.6X2B-SK	SKX1 5/8	13.6X2B-SK	SKX1 11/16	2	BX79	1126	22.82
		5.8X3B-SD	SDX1 5/8	9.4X3LB-SF	SFX1 11/16	3	BX68	1108	22.89
20	1200	5.8X3B-SD	SDX1 5/8	8.6X3B-SK	SKX1 11/16	3	BX67	1206	23.04
		8.6X2B-SK	SKX1 5/8	12.4X2B-SK	SKX1 11/16	2	BX77	1231	22.82
		6.2X3B-SD	SDX1 5/8	9.4X3B-SK	SKX1 11/16	3	BX69	1179	23.09
20	1300	8.0X2B-SK	SKX1 5/8	11.0X2B-SK	SKX1 11/16	2	BX74	1290	22.92
		5.8X3B-SD	SDX1 5/8	8.0X3B-SK	SKX1 11/16	3	BX66	1292	23.03
		6.0X3B-SD	SDX1 5/8	8.0X3B-SK	SKX1 11/16	3	BX66	1334	22.88
20	1400	5.8X3B-SD	SDX1 5/8	7.4X3B-SK	SKX1 11/16	3	BX65	1392	23.01
		6.0X3B-SD	SDX1 5/8	7.4X3B-SK	SKX1 11/16	3	BX65	1436	22.86
		8.6X2B-SK	SKX1 5/8	11.0X2B-SK	SKX1 11/16	2	BX75	1382	22.97
20	1500	8.0X2B-SK	SKX1 5/8	9.4X2B-SK	SKX1 11/16	2	BX71	1500	22.72
		5.8X3B-SD	SDX1 5/8	6.8X3B-SD	SDX1 11/16	3	BX64	1507	22.99
		5.8X3B-SD	SDX1 5/8	7.0X3B-SK	SKX1 11/16	3	BX64	1467	22.83
20	1600	5.8X3B-SD	SDX1 5/8	6.2X3B-SD	SDX1 11/16	3	BX63	1644	22.97
		5.8X3B-SD	SDX1 5/8	6.4X3B-SD	SDX1 11/16	3	BX63	1596	22.81
		8.0X2B-SK	SKX1 5/8	8.6X2B-SK	SKX1 11/16	2	BX70	1634	22.86
20	1700	6.0X3B-SD	SDX1 5/8	6.0X3B-SD	SDX1 11/16	3	BX63	1750	22.97
		8.0X2B-SK	SKX1 5/8	8.0X2B-SK	SKX1 11/16	2	BX69	1750	22.83
		6.0X3B-SD	SDX1 5/8	6.2X3B-SD	SDX1 11/16	3	BX63	1697	22.81

Model numbers shown are for T B Woods

TABLE 51 - SUPPLY FAN DRIVES AIR FOIL CLASS 1 (70 - 105 TON)

MOTOR HP	NOM RPM	MOTOR PULLEY	MOTOR PULLEY BUSHING	BLOWER PULLEY	BLOWER PULLEY BUSHING	BELT QTY	BELT	DRIVE SPEED RPM	DRIVE CENTER DIST
15	900	6.0X2B-SDS	SDSX1 5/8	12.4X2B-SK	SKX2 3/16	2	BX108	876	40.32
		6.2X2B-SDS	SDSX1 5/8	12.4X2B-SK	SKX2 3/16	2	BX108	903	40.17
		6.0X2LB-SF	SFX1 5/8	12.4X2B-SK	SKX2 3/16	2	BX108	876	40.32
15	1000	6.0X2B-SDS	SDSX1 5/8	11.0X2B-SK	SKX2 3/16	2	BX105	983	39.97
		6.2X2B-SDS	SDSX1 5/8	11.0X2B-SK	SKX2 3/16	2	BX105	1014	39.81
		4.4X3B-SH	SHX1 5/8	8.0X3B-SK	SKX2 3/16	3	BX97	1001	39.62
15	1100	5.8X2B-SDS	SDSX1 5/8	9.4X2B-SK	SKX2 3/16	2	BX103	1108	40.42
		5.8X2B-SDS	SDSX1 5/8	9.4X2LB-SF	SFX2 3/16	2	BX103	1108	40.42
		6.6X2B-SDS	SDSX1 5/8	11.0X2B-SK	SKX2 3/16	2	BX105	1075	39.51
15	1200	5.8X2B-SDS	SDSX1 5/8	8.6X2B-SK	SKX2 3/16	2	BX100	1206	39.56
		6.2X2B-SDS	SDSX1 5/8	9.4X2B-SK	SKX2 3/16	2	BX103	1179	40.11
		6.4X2B-SDS	SDSX1 5/8	9.4X2B-SK	SKX2 3/16	2	BX103	1215	39.96
15	1300	5.8X2B-SDS	SDSX1 5/8	8.0X2B-SK	SKX2 3/16	2	BX99	1292	39.54
		6.0X2B-SDS	SDSX1 5/8	8.0X2B-SK	SKX2 3/16	2	BX99	1334	39.39
		6.2X2B-SDS	SDSX1 5/8	8.6X2B-SK	SKX2 3/16	2	BX100	1284	39.25

TABLE 51 - SUPPLY FAN DRIVES AIR FOIL CLASS 1 (70 - 105 TON) (CONT'D)

MOTOR HP	NOM RPM	MOTOR PULLEY	MOTOR PULLEY BUSHING	BLOWER PULLEY	BLOWER PULLEY BUSHING	BELT QTY	BELT	DRIVE SPEED RPM	DRIVE CENTER DIST
15	1400	5.8X2B-SDS	SDSX1 5/8	7.4X2B-SK	SKX2 3/16	2	BX98	1392	39.52
		6.0X2B-SDS	SDSX1 5/8	7.4X2B-SK	SKX2 3/16	2	BX98	1436	39.36
		6.2X2B-SDS	SDSX1 5/8	8.0X2B-SK	SKX2 3/16	2	BX99	1376	39.23
15	1500	6.0X2B-SDS	SDSX1 5/8	7.0X2B-SK	SKX2 3/16	2	BX97	1514	39.18
		6.2X2B-SDS	SDSX1 5/8	7.4X2B-SK	SKX2 3/16	2	BX98	1481	39.21
		6.4X2B-SDS	SDSX1 5/8	7.4X2B-SK	SKX2 3/16	2	BX99	1526	39.55
15	1600	6.2X2B-SDS	SDSX1 5/8	7.0X2B-SK	SKX2 3/16	2	BX98	1561	39.53
		6.4X2B-SDS	SDSX1 5/8	7.0X2B-SK	SKX2 3/16	2	BX98	1608	39.37
		6.6X2B-SDS	SDSX1 5/8	7.4X2B-SK	SKX2 3/16	2	BX99	1571	39.40
15	1700	6.6X2B-SDS	SDSX1 5/8	7.0X2B-SK	SKX2 3/16	2	BX98	1656	39.21
		6.8X2B-SDS	SDSX1 5/8	7.0X2B-SK	SKX2 3/16	2	BX99	1703	39.56
		8.6X2B-SK	SKX1 5/8	8.6X2B-SK	SKX2 3/16	2	AX105	1750	39.64
20	900	5.4X3B-SD	SDX1 5/8	11.0X3B-SK	SKX2 3/16	3	BX103	891	39.42
		5.6X3B-SD	SDX1 5/8	11.0X3B-SK	SKX2 3/16	3	BX103	922	39.26
		5.6X3LB-SF	SFX1 5/8	11.0X3B-SK	SKX2 3/16	3	BX103	922	39.26
20	1000	7.4X2B-SK	SKX1 5/8	13.6X2B-SK	SKX2 3/16	2	BX112	976	40.28
		6.0X3B-SD	SDX1 5/8	11.0X3B-SK	SKX2 3/16	3	BX105	983	39.97
		6.2X3B-SD	SDX1 5/8	11.0X3B-SK	SKX2 3/16	3	BX105	1014	39.81
20	1100	7.4X2B-SK	SKX1 5/8	12.4X2B-SK	SKX2 3/16	2	BX108	1067	39.26
		5.4X3B-SD	SDX1 5/8	8.6X3B-SK	SKX2 3/16	3	BX99	1129	39.37
		5.6X3B-SD	SDX1 5/8	9.4X3B-SK	SKX2 3/16	3	BX103	1072	40.57
20	1200	7.4X2B-SK	SKX1 5/8	11.0X2B-SK	SKX2 3/16	2	BX108	1198	40.40
		5.4X3B-SD	SDX1 5/8	8.0X3B-SK	SKX2 3/16	3	BX98	1209	39.35
		8.6X2B-SK	SKX1 5/8	12.4X2B-SK	SKX2 3/16	2	BX112	1231	40.36
20	1300	8.0X2B-SK	SKX1 5/8	11.0X2B-SK	SKX2 3/16	2	BX108	1290	39.94
		5.4X3B-SD	SDX1 5/8	7.4X3B-SK	SKX2 3/16	3	BX97	1302	39.33
		5.8X3B-SD	SDX1 5/8	8.0X3B-SK	SKX2 3/16	3	BX99	1292	39.54
20	1400	7.4X2B-SK	SKX1 5/8	9.4X2B-SK	SKX2 3/16	2	BX103	1393	39.19
		5.4X3B-SD	SDX1 5/8	7.0X3B-SK	SKX2 3/16	3	BX96	1372	39.15
		7.4X2B-SK	SKX1 5/8	9.4X2LB-SF	SFX2 3/16	2	BX103	1393	39.19
20	1500	7.4X2B-SK	SKX1 5/8	8.6X2B-SK	SKX2 3/16	2	BX103	1517	39.82
		8.0X2B-SK	SKX1 5/8	9.4X2B-SK	SKX2 3/16	2	BX105	1500	39.72
		7.4X2B-SK	SKX1 5/8	8.6X2LB-SF	SFX2 3/16	2	BX103	1517	39.82
20	1600	7.4X2B-SK	SKX1 5/8	8.0X2B-SK	SKX2 3/16	2	BX103	1625	40.30
		8.0X2B-SK	SKX1 5/8	8.6X2B-SK	SKX2 3/16	2	BX103	1634	39.36
		8.6X2B-SK	SKX1 5/8	9.4X2B-SK	SKX2 3/16	2	BX105	1607	39.26
20	1700	8.0X2B-SK	SKX1 5/8	8.0X2B-SK	SKX2 3/16	2	BX103	1750	39.83
		8.6X2B-SK	SKX1 5/8	8.6X2B-SK	SKX2 3/16	2	BX105	1750	39.89
		9.4X2B-SK	SKX1 5/8	9.4X2B-SK	SKX2 3/16	2	BX108	1750	40.13
25	1000	6.2X3B-SD	SDX1 7/8	11.0X3B-SK	SKX2 3/16	3	BX105	1014	39.81
		8.6X2B-SK	SKX1 7/8	15.4X2B-SK	SKX2 3/16	2	BX115	997	39.40
		6.2X3B-SD	SDX1 7/8	11.0X3LB-SF	SFX2 3/16	3	BX105	1014	39.81

TABLE 51 - SUPPLY FAN DRIVES AIR FOIL CLASS 1 (70 - 105 TON) (CONT'D)

MOTOR HP	NOM RPM	MOTOR PULLEY	MOTOR PULLEY BUSHING	BLOWER PULLEY	BLOWER PULLEY BUSHING	BELT QTY	BELT	DRIVE SPEED RPM	DRIVE CENTER DIST
25	1100	8.6X2B-SK	SKX1 7/8	13.6X2B-SK	SKX2 3/16	2	BX112	1126	39.38
		8.6X2LB-SF	SFX1 7/8	13.6X2B-SK	SKX2 3/16	2	BX112	1126	39.38
		6.6X3B-SD	SDX1 7/8	11.0X3B-SK	SKX2 3/16	3	BX105	1075	39.51
25	1200	8.6X2B-SK	SKX1 7/8	12.4X2B-SK	SKX2 3/16	2	BX112	1231	40.36
		8.6X2LB-SF	SFX1 7/8	12.4X2B-SK	SKX2 3/16	2	BX112	1231	40.36
		6.2X3B-SD	SDX1 7/8	9.4X3B-SK	SKX2 3/16	3	BX103	1179	40.11
25	1300	6.4X3B-SD	SDX1 7/8	8.6X3B-SK	SKX2 3/16	3	BX100	1323	39.10
		6.8X3B-SD	SDX1 7/8	9.4X3B-SK	SKX2 3/16	3	BX103	1286	39.65
		6.4X3B-SD	SDX1 7/8	8.6X3LB-SF	SFX2 3/16	3	BX100	1323	39.10
25	1400	6.4X3B-SD	SDX1 7/8	8.0X3B-SK	SKX2 3/16	3	BX99	1417	39.08
		6.6X3B-SD	SDX1 7/8	8.6X3B-SK	SKX2 3/16	3	BX100	1362	38.94
		6.8X3B-SD	SDX1 7/8	8.6X3B-SK	SKX2 3/16	3	BX100	1401	38.79
25	1500	9.4X2B-SK	SKX1 7/8	11.0X2B-SK	SKX2 3/16	2	BX108	1505	38.86
		6.4X3B-SD	SDX1 7/8	7.4X3B-SK	SKX2 3/16	3	BX98	1526	39.05
		6.6X3B-SD	SDX1 7/8	8.0X3B-SK	SKX2 3/16	3	BX99	1459	38.92
25	1600	6.4X3B-SD	SDX1 7/8	7.0X3B-SK	SKX2 3/16	3	BX97	1608	38.87
		6.6X3B-SD	SDX1 7/8	7.4X3B-SK	SKX2 3/16	3	BX98	1571	38.90
		6.8X3B-SD	SDX1 7/8	7.4X3B-SK	SKX2 3/16	3	BX98	1616	38.74
25	1700	9.4X2B-SK	SKX1 7/8	9.4X2B-SK	SKX2 3/16	2	BX108	1750	40.13
		9.4X2LB-SF	SFX1 7/8	9.4X2B-SK	SKX2 3/16	2	BX108	1750	40.13
		9.4X2B-SK	SKX1 7/8	9.4X2LB-SF	SFX2 3/16	2	BX108	1750	40.13
30	1100	7.4X3B-SK	SKX1 7/8	12.4X3B-SK	SKX2 3/16	3	BX108	1067	39.26
		8.6X3B-SK	SKX1 7/8	13.6X3B-SK	SKX2 3/16	3	BX112	1126	39.38
		6.6X4B-SD	SDX1 7/8	11.0X4B-SK	SKX2 3/16	4	BX105	1075	39.51
30	1200	7.4X3B-SK	SKX1 7/8	11.0X3B-SK	SKX2 3/16	3	BX105	1198	38.90
		7.4X3B-SK	SKX1 7/8	11.0X3LB-SF	SFX2 3/16	3	BX105	1198	38.90
		11.0X2B-SK	SKX1 7/8	16.0X2B-SK	SKX2 3/16	2	BX120	1217	39.61
30	1300	8.0X3B-SK	SKX1 7/8	11.0X3B-SK	SKX2 3/16	3	BX108	1290	39.94
		6.0X4B-SD	SDX1 7/8	8.0X4B-SK	SKX2 3/16	4	BX98	1334	38.89
		11.0X2B-SK	SKX1 7/8	15.4X2B-SK	SKX2 3/16	2	BX120	1263	40.10
30	1400	11.0X2B-SK	SKX1 7/8	13.6X2B-SK	SKX2 3/16	2	BX115	1425	39.05
		7.4X3B-SK	SKX1 7/8	9.4X3B-SK	SKX2 3/16	3	BX103	1393	39.19
		11.0X2LB-SF	SFX1 7/8	13.6X2B-SK	SKX2 3/16	2	BX115	1425	39.05
30	1500	7.4X3B-SK	SKX1 7/8	8.6X3B-SK	SKX2 3/16	3	BX103	1517	39.82
		8.0X3B-SK	SKX1 7/8	9.4X3B-SK	SKX2 3/16	3	BX103	1500	38.72
		7.4X3B-SK	SKX1 7/8	8.6X3LB-SF	SFX2 3/16	3	BX103	1517	39.82
30	1600	11.0X2B-SK	SKX1 7/8	12.4X2B-SK	SKX2 3/16	2	BX113	1559	39.01
		7.4X3B-SK	SKX1 7/8	8.0X3B-SK	SKX2 3/16	3	BX100	1625	38.80
		8.0X3B-SK	SKX1 7/8	8.6X3B-SK	SKX2 3/16	3	BX103	1634	39.36
30	1700	11.0X2B-SK	SKX1 7/8	11.0X2B-SK	SKX2 3/16	2	BX112	1750	39.62
		8.0X3B-SK	SKX1 7/8	8.0X3B-SK	SKX2 3/16	3	BX103	1750	39.83
		11.0X2B-SK	SKX1 7/8	11.0X2LB-SF	SFX2 3/16	2	BX112	1750	39.62

Model numbers shown are for T B Woods

TABLE 52 - SUPPLY FAN DRIVES AIRFOIL 25-25 CLASS 2 (50 - 65 TON)

MOTOR HP	NOM RPM	MOTOR PULLEY	MOTOR PULLEY BUSHING	BLOWER PULLEY	BLOWER PULLEY BUSHING	BELT QTY	BELT	DRIVE SPEED RPM	DRIVE CENTER DIST
10	1100	4.6X2B-SDS	SDSX1 3/8	7.4X2B-SK	SKX2	2	BX67	1123	24.93
		4.8X2B-SDS	SDSX1 3/8	8.0X2B-SK	SKX2	2	BX68	1084	24.79
		5.0X2B-SDS	SDSX1 3/8	8.0X2B-SK	SKX2	2	BX69	1126	25.14
10	1200	4.8X2B-SDS	SDSX1 3/8	7.0X2B-SK	SKX2	2	BX67	1231	25.10
		4.8X2B-SDS	SDSX1 3/8	7.4X2B-SK	SKX2	2	BX67	1168	24.78
		5.0X2B-SDS	SDSX1 3/8	7.4X2B-SK	SKX2	2	BX68	1212	25.13
10	1300	5.0X2B-SDS	SDSX1 3/8	7.0X2B-SK	SKX2	2	BX67	1278	22.92
		5.2X2B-SDS	SDSX1 3/8	7.0X2B-SK	SKX2	2	BX67	1325	23.03
		5.4X2B-SDS	SDSX1 3/8	7.4X2B-SK	SKX2	2	BX68	1302	22.88
10	1400	4.8X2B-SDS	SDSX1 3/8	6.0X2LB-SF	SFX2	2	BX65	1423	24.91
		6.4X2B-SDS	SDSX1 3/8	8.0X2B-SK	SKX2	2	AX71	1393	24.82
		5.4X2B-SDS	SDSX1 3/8	7.0X2B-SK	SKX2	2	BX68	1372	25.14
10	1500	4.8X2B-SDS	SDSX1 3/8	5.6X2LB-SF	SFX2	2	BX64	1517	24.72
		6.2X2B-SDS	SDSX1 3/8	7.4X2B-SK	SKX2	2	AX70	1460	24.96
		5.0X2B-SDS	SDSX1 3/8	6.0X2LB-SF	SFX2	2	BX65	1477	24.75
10	1600	5.0X2B-SDS	SDSX1 3/8	5.6X2LB-SF	SFX2	2	BX65	1575	25.07
		5.2X2B-SDS	SDSX1 3/8	5.6X2LB-SF	SFX2	2	BX65	1634	24.91
		6.4X2B-SDS	SDSX1 3/8	7.0X2B-SK	SKX2	2	AX70	1597	25.12
10	1700	5.4X2B-SDS	SDSX1 3/8	5.6X2LB-SF	SFX2	2	BX65	1692	24.76
		6.8X2B-SDS	SDSX1 3/8	7.0X2B-SK	SKX2	2	AX70	1699	24.81
		5.6X2B-SDS	SDSX1 3/8	5.6X2LB-SF	SFX2	2	BX66	1750	25.10
10	1800	5.6X2B-SDS	SDSX1 3/8	5.6X2LB-SF	SFX2	2	BX66	1750	25.10
		5.8X2B-SDS	SDSX1 3/8	5.6X2LB-SF	SFX2	2	BX66	1808	24.94
		6.0X2B-SDS	SDSX1 3/8	6.0X2LB-SF	SFX2	2	BX67	1750	24.97
10	1900	6.4X2B-SDS	SDSX1 3/8	6.0X2LB-SF	SFX2	2	AX68	1870	24.91
		6.6X2B-SDS	SDSX1 3/8	6.0X2LB-SF	SFX2	2	AX68	1929	24.75
		6.0X2B-SDS	SDSX1 3/8	5.6X2LB-SF	SFX2	2	BX66	1866	24.78
10	2000	6.8X2B-SDS	SDSX1 3/8	6.0X2LB-SF	SFX2	2	AX69	1989	25.09
		6.4X2B-SDS	SDSX1 3/8	5.6X2LB-SF	SFX2	2	BX67	1983	24.97
		6.6X2B-SDS	SDSX1 3/8	5.6X2LB-SF	SFX2	2	BX67	2041	24.81
10	2100	6.6X2B-SDS	SDSX1 3/8	5.6X2LB-SF	SFX2	2	AX68	2071	25.06
		6.8X2B-SDS	SDSX1 3/8	5.6X2LB-SF	SFX2	2	AX68	2135	24.90
		6.6X2B-SDS	SDSX1 3/8	5.6X2LB-SF	SFX2	2	BX67	2041	24.81
10	2200	6.8X2B-SDS	SDSX1 3/8	5.6X2LB-SF	SFX2	2	AX68	2135	24.90
		7.0X2B-SK	SKX1 3/8	5.6X2LB-SF	SFX2	2	AX68	2200	24.74
		7.4X2B-SK	SKX1 3/8	6.0X2LB-SF	SFX2	2	AX70	2169	25.11
15	1100	6.6X2B-SDS	SDSX1 5/8	11.0X2B-SK	SKX2	2	BX72	1075	22.97
		6.8X2B-SDS	SDSX1 5/8	11.0X2B-SK	SKX2	2	BX72	1106	22.82
		4.8X3B-SD	SDX1 5/8	8.0X3B-SK	SKX2	3	BX64	1084	22.79
15	1200	6.2X2B-SDS	SDSX1 5/8	9.4X2B-SK	SKX2	2	BX69	1179	23.09
		6.4X2B-SDS	SDSX1 5/8	9.4X2B-SK	SKX2	2	BX69	1215	22.94
		4.8X3B-SD	SDX1 5/8	7.0X3B-SK	SKX2	3	BX63	1231	23.10

TABLE 52 - SUPPLY FAN DRIVES AIRFOIL 25-25 CLASS 2 (50 - 65 TON) (CONT'D)

MOTOR HP	NOM RPM	MOTOR PULLEY	MOTOR PULLEY BUSHING	BLOWER PULLEY	BLOWER PULLEY BUSHING	BELT QTY	BELT	DRIVE SPEED RPM	DRIVE CENTER DIST
15	1300	6.2X2B-SDS	SDSX1 5/8	8.6X2B-SK	SKX2	2	BX67	1284	22.74
		6.4X2B-SDS	SDSX1 5/8	8.6X2B-SK	SKX2	2	BX68	1323	23.09
		6.8X2B-SDS	SDSX1 5/8	9.4X2B-SK	SKX2	2	BX70	1286	23.14
15	1400	6.2X2B-SDS	SDSX1 5/8	8.0X2B-SK	SKX2	2	BX66	1376	22.72
		6.4X2B-SDS	SDSX1 5/8	8.0X2B-SK	SKX2	2	BX67	1417	23.07
		6.6X2B-SDS	SDSX1 5/8	8.6X2B-SK	SKX2	2	BX68	1362	22.94
15	1500	6.2X2B-SDS	SDSX1 5/8	7.4X2B-SK	SKX2	2	BX65	1481	22.71
		6.4X2B-SDS	SDSX1 5/8	7.4X2B-SK	SKX2	2	BX66	1526	23.05
		6.6X2B-SDS	SDSX1 5/8	8.0X2B-SK	SKX2	2	BX67	1459	22.92
15	1600	6.4X2B-SDS	SDSX1 5/8	7.0X2B-SK	SKX2	2	BX65	1608	22.87
		6.6X2B-SDS	SDSX1 5/8	7.4X2B-SK	SKX2	2	BX66	1571	22.90
		6.8X2B-SDS	SDSX1 5/8	7.4X2B-SK	SKX2	2	BX66	1616	22.74
15	1700	6.6X2B-SDS	SDSX1 5/8	7.0X2B-SK	SKX2	2	BX65	1656	22.71
		6.8X2B-SDS	SDSX1 5/8	7.0X2B-SK	SKX2	2	BX66	1703	23.06
		6.4X2B-SDS	SDSX1 5/8	6.8X2LB-SF	SFX2	2	BX65	1653	23.03
15	1800	6.8X2B-SDS	SDSX1 5/8	6.8X2LB-SF	SFX2	2	BX65	1750	22.71
		7.0X2B-SK	SKX1 5/8	7.0X2B-SK	SKX2	2	BX66	1750	22.90
		9.4X2B-SK	SKX1 5/8	9.4X2B-SK	SKX2	2	AX74	1750	22.88
15	1900	6.6X2B-SDS	SDSX1 5/8	6.0X2LB-SF	SFX2	2	BX64	1914	23.00
		9.4X2B-SK	SKX1 5/8	8.6X2B-SK	SKX2	2	AX73	1916	23.00
		7.4X2B-SK	SKX1 5/8	7.0X2B-SK	SKX2	2	BX67	1844	23.08
15	2000	6.8X2B-SDS	SDSX1 5/8	6.0X2LB-SF	SFX2	2	BX64	1968	22.84
		7.0X2B-SK	SKX1 5/8	6.0X2LB-SF	SFX2	2	BX65	2023	23.18
		8.0X2B-SK	SKX1 5/8	7.0X2B-SK	SKX2	2	BX68	1986	23.11
15	2100	9.4X2B-SK	SKX1 5/8	8.0X2B-SK	SKX2	2	AX72	2062	22.97
		7.0X2B-SK	SKX1 5/8	5.6X2LB-SF	SFX2	2	BX64	2157	22.99
		7.4X2B-SK	SKX1 5/8	6.0X2LB-SF	SFX2	2	BX65	2132	22.86
15	2200	9.4X2B-SK	SKX1 5/8	7.4X2B-SK	SKX2	2	AX71	2233	22.93
		7.0X2B-SK	SKX1 5/8	5.6X2LB-SF	SFX2	2	BX64	2157	22.99
		6.8X3B-SD	SDX1 5/8	5.6X3LB-SF	SFX2	3	AX64	2135	22.90
20	1100	5.6X3B-SD	SDX1 5/8	9.4X3B-SK	SKX2	3	BX68	1072	23.04
		5.8X3B-SD	SDX1 5/8	9.4X3B-SK	SKX2	3	BX68	1108	22.89
		8.6X2B-SK	SKX1 5/8	13.6X2B-SK	SKX2	2	BX79	1126	22.82
20	1200	5.6X3B-SD	SDX1 5/8	8.6X3B-SK	SKX2	3	BX66	1168	22.69
		5.8X3B-SD	SDX1 5/8	8.6X3B-SK	SKX2	3	BX67	1206	23.04
		8.6X2B-SK	SKX1 5/8	12.4X2B-SK	SKX2	2	BX77	1231	22.82
20	1300	8.0X2B-SK	SKX1 5/8	11.0X2B-SK	SKX2	2	BX74	1290	22.92
		5.8X3B-SD	SDX1 5/8	8.0X3B-SK	SKX2	3	BX66	1292	23.03
		6.0X3B-SD	SDX1 5/8	8.0X3B-SK	SKX2	3	BX66	1334	22.88
20	1400	5.8X3B-SD	SDX1 5/8	7.4X3B-SK	SKX2	3	BX65	1392	23.01
		6.0X3B-SD	SDX1 5/8	7.4X3B-SK	SKX2	3	BX65	1436	22.86
		8.6X2B-SK	SKX1 5/8	11.0X2B-SK	SKX2	2	BX75	1382	22.97

TABLE 52 - SUPPLY FAN DRIVES AIRFOIL 25-25 CLASS 2 (50 - 65 TON) (CONT'D)

MOTOR HP	NOM RPM	MOTOR PULLEY	MOTOR PULLEY BUSHING	BLOWER PULLEY	BLOWER PULLEY BUSHING	BELT QTY	BELT	DRIVE SPEED RPM	DRIVE CENTER DIST
20	1500	8.0X2B-SK	SKX1 5/8	9.4X2B-SK	SKX2	2	BX71	1500	22.72
		5.8X3B-SD	SDX1 5/8	7.0X3B-SK	SKX2	3	BX64	1467	22.83
		6.0X3B-SD	SDX1 5/8	7.0X3B-SK	SKX2	3	BX65	1514	23.18
20	1600	8.0X2B-SK	SKX1 5/8	8.6X2B-SK	SKX2	2	BX70	1634	22.86
		8.6X2B-SK	SKX1 5/8	9.4X2B-SK	SKX2	2	BX72	1607	22.75
		8.0X2LB-SF	SFX1 5/8	8.6X2B-SK	SKX2	2	BX70	1634	22.86
20	1700	8.0X2B-SK	SKX1 5/8	8.0X2B-SK	SKX2	2	BX69	1750	22.83
		8.6X2B-SK	SKX1 5/8	8.6X2B-SK	SKX2	2	BX71	1750	22.89
		9.4X2B-SK	SKX1 5/8	9.4X2B-SK	SKX2	2	BX74	1750	23.13
20	1800	8.0X2B-SK	SKX1 5/8	8.0X2B-SK	SKX2	2	BX69	1750	22.83
		8.6X2B-SK	SKX1 5/8	8.6X2B-SK	SKX2	2	BX71	1750	22.89
		9.4X2B-SK	SKX1 5/8	9.4X2B-SK	SKX2	2	BX74	1750	23.13
20	1900	8.6X2B-SK	SKX1 5/8	8.0X2B-SK	SKX2	2	BX70	1875	22.86
		9.4X2B-SK	SKX1 5/8	8.6X2B-SK	SKX2	2	BX72	1905	22.75
		6.2X3B-SD	SDX1 5/8	5.6X3LB-SF	SFX2	3	BX63	1925	23.13
20	2000	8.6X2B-SK	SKX1 5/8	7.4X2B-SK	SKX2	2	BX69	2019	22.82
		9.4X2B-SK	SKX1 5/8	8.0X2B-SK	SKX2	2	BX71	2041	22.72
		6.4X3B-SD	SDX1 5/8	5.6X3LB-SF	SFX2	3	BX63	1983	22.97
20	2100	8.6X2B-SK	SKX1 5/8	7.0X2B-SK	SKX2	2	BX69	2128	23.13
		9.4X2B-SK	SKX1 5/8	8.0X2B-SK	SKX2	2	BX71	2041	22.72
		8.6X2B-SK	SKX1 5/8	7.0X2LB-SF	SFX2	2	BX69	2128	23.13
20	2200	9.4X2B-SK	SKX1 5/8	7.4X2B-SK	SKX2	2	BX71	2198	23.18
		8.6X2B-SK	SKX1 5/8	6.8X2LB-SF	SFX2	2	BX68	2187	22.78
		9.4X2LB-SF	SFX1 5/8	7.4X2B-SK	SKX2	2	BX71	2198	23.18
25	1100	6.6X3B-SD	SDX1 7/8	11.0X3B-SK	SKX2	3	BX71	1075	22.46
		6.8X3B-SD	SDX1 7/8	11.0X3B-SK	SKX2	3	BX71	1106	22.32
		6.8X3LB-SF	SFX1 7/8	11.0X3B-SK	SKX2	3	BX71	1106	22.32
25	1200	9.4X2B-SK	SKX1 7/8	13.6X2B-SK	SKX2	2	BX79	1225	22.23
		9.4X2LB-SF	SFX1 7/8	13.6X2B-SK	SKX2	2	BX79	1225	22.23
		7.4X3B-SK	SKX1 7/8	11.0X3B-SK	SKX2	3	BX72	1198	22.37
25	1300	6.8X3B-SD	SDX1 7/8	9.4X3B-SK	SKX2	3	BX69	1286	22.63
		7.0X3B-SK	SKX1 7/8	9.4X3B-SK	SKX2	3	BX69	1322	22.48
		6.8X3LB-SF	SFX1 7/8	9.4X3B-SK	SKX2	3	BX69	1286	22.63
25	1400	6.8X3B-SD	SDX1 7/8	8.6X3B-SK	SKX2	3	BX67	1401	22.28
		7.0X3B-SK	SKX1 7/8	8.6X3B-SK	SKX2	3	BX68	1439	22.63
		6.8X3LB-SF	SFX1 7/8	8.6X3B-SK	SKX2	3	BX67	1401	22.28
25	1500	9.4X2B-SK	SKX1 7/8	11.0X2B-SK	SKX2	2	BX75	1505	22.36
		6.8X3B-SD	SDX1 7/8	8.0X3B-SK	SKX2	3	BX66	1500	22.26
		7.0X3B-SK	SKX1 7/8	8.0X3B-SK	SKX2	3	BX67	1542	22.61
25	1600	6.8X3B-SD	SDX1 7/8	7.4X3B-SK	SKX2	3	BX65	1616	22.24
		7.4X3B-SK	SKX1 7/8	8.0X3B-SK	SKX2	3	BX67	1625	22.30
		6.8X3LB-SF	SFX1 7/8	7.4X3B-SK	SKX2	3	BX65	1616	22.24

TABLE 52 - SUPPLY FAN DRIVES AIRFOIL 25-25 CLASS 2 (50 - 65 TON) (CONT'D)

MOTOR HP	NOM RPM	MOTOR PULLEY	MOTOR PULLEY BUSHING	BLOWER PULLEY	BLOWER PULLEY BUSHING	BELT QTY	BELT	DRIVE SPEED RPM	DRIVE CENTER DIST
25	1700	7.0X3B-SK	SKX1 7/8	7.0X3B-SK	SKX2	3	BX65	1750	22.40
		7.0X3B-SK	SKX1 7/8	7.4X3B-SK	SKX2	3	BX66	1660	22.58
		7.4X3B-SK	SKX1 7/8	7.4X3B-SK	SKX2	3	BX66	1750	22.27
25	1800	7.0X3B-SK	SKX1 7/8	7.0X3B-SK	SKX2	3	BX65	1750	22.40
		7.4X3B-SK	SKX1 7/8	7.0X3B-SK	SKX2	3	BX66	1844	22.58
		7.4X3B-SK	SKX1 7/8	7.4X3B-SK	SKX2	3	BX66	1750	22.27
25	1900	7.4X3B-SK	SKX1 7/8	7.0X3B-SK	SKX2	3	BX66	1844	22.58
		8.0X3B-SK	SKX1 7/8	7.4X3B-SK	SKX2	3	BX67	1884	22.30
		7.4X3B-SK	SKX1 7/8	6.8X3LB-SF	SFX2	3	BX65	1896	22.24
25	2000	11.0X2B-SK	SKX1 7/8	9.4X2B-SK	SKX2	2	BX75	2035	22.36
		8.0X3B-SK	SKX1 7/8	7.0X3B-SK	SKX2	3	BX67	1986	22.61
		11.0X2B-SK	SKX1 7/8	9.4X2LB-SF	SFX2	2	BX75	2035	22.36
25	2100	8.6X3B-SK	SKX1 7/8	7.0X3B-SK	SKX2	3	BX68	2128	22.63
		8.0X3B-SK	SKX1 7/8	6.8X3LB-SF	SFX2	3	BX66	2041	22.26
		9.4X3B-SK	SKX1 7/8	8.0X3B-SK	SKX2	3	BX70	2041	22.22
25	2200	11.0X2B-SK	SKX1 7/8	8.6X2B-SK	SKX2	2	BX74	2216	22.47
		11.0X2B-SK	SKX1 7/8	8.6X2LB-SF	SFX2	2	BX74	2216	22.47
		11.0X2LB-SF	SFX1 7/8	8.6X2B-SK	SKX2	2	BX74	2216	22.47
30	1100	8.6X3B-SK	SKX1 7/8	13.6X3B-SK	SKX2	3	BX78	1126	22.32
		6.6X4B-SD	SDX1 7/8	11.0X4B-SK	SKX2	4	BX71	1075	22.46
		6.8X4B-SD	SDX1 7/8	11.0X4B-SK	SKX2	4	BX71	1106	22.32
30	1200	6.2X4B-SD	SDX1 7/8	9.4X4B-SK	SKX2	4	BX68	1179	22.59
		8.6X3B-SK	SKX1 7/8	12.4X3B-SK	SKX2	3	BX76	1231	22.32
		6.4X4B-SD	SDX1 7/8	9.4X4B-SK	SKX2	4	BX68	1215	22.44
30	1300	8.0X3B-SK	SKX1 7/8	11.0X3B-SK	SKX2	3	BX73	1290	22.42
		6.2X4B-SD	SDX1 7/8	8.6X4B-SK	SKX2	4	BX67	1284	22.74
		6.4X4B-SD	SDX1 7/8	8.6X4B-SK	SKX2	4	BX67	1323	22.59
30	1400	11.0X2B-SK	SKX1 7/8	13.6X2B-SK	SKX2	2	BX82	1425	22.54
		11.0X2LB-SF	SFX1 7/8	13.6X2B-SK	SKX2	2	BX82	1425	22.54
		6.2X4B-SD	SDX1 7/8	8.0X4B-SK	SKX2	4	BX66	1376	22.72
30	1500	8.0X3B-SK	SKX1 7/8	9.4X3B-SK	SKX2	3	BX71	1500	22.72
		8.0X3LB-SF	SFX1 7/8	9.4X3B-SK	SKX2	3	BX71	1500	22.72
		6.2X4B-SD	SDX1 7/8	7.4X4B-SK	SKX2	4	BX65	1481	22.71
30	1600	8.0X3B-SK	SKX1 7/8	8.6X3B-SK	SKX2	3	BX69	1634	22.36
		8.6X3B-SK	SKX1 7/8	9.4X3B-SK	SKX2	3	BX72	1607	22.75
		8.0X3LB-SF	SFX1 7/8	8.6X3B-SK	SKX2	3	BX69	1634	22.36
30	1700	8.0X3B-SK	SKX1 7/8	8.0X3B-SK	SKX2	3	BX68	1750	22.33
		8.6X3B-SK	SKX1 7/8	8.6X3B-SK	SKX2	3	BX70	1750	22.39
		8.0X3LB-SF	SFX1 7/8	8.0X3B-SK	SKX2	3	BX68	1750	22.33
30	1800	8.0X3B-SK	SKX1 7/8	8.0X3B-SK	SKX2	3	BX68	1750	22.33
		8.6X3B-SK	SKX1 7/8	8.6X3B-SK	SKX2	3	BX70	1750	22.39
		8.0X3LB-SF	SFX1 7/8	8.0X3B-SK	SKX2	3	BX68	1750	22.33

TABLE 52 - SUPPLY FAN DRIVES AIRFOIL 25-25 CLASS 2 (50 - 65 TON) (CONT'D)

MOTOR HP	NOM RPM	MOTOR PULLEY	MOTOR PULLEY BUSHING	BLOWER PULLEY	BLOWER PULLEY BUSHING	BELT QTY	BELT	DRIVE SPEED RPM	DRIVE CENTER DIST
30	1900	8.6X3B-SK	SKX1 7/8	8.0X3B-SK	SKX2	3	BX69	1875	22.36
		9.4X3B-SK	SKX1 7/8	8.6X3B-SK	SKX2	3	BX72	1905	22.75
		8.6X3B-SK	SKX1 7/8	8.0X3LB-SF	SFX2	3	BX69	1875	22.36
30	2000	8.6X3B-SK	SKX1 7/8	7.4X3B-SK	SKX2	3	BX68	2019	22.32
		9.4X3B-SK	SKX1 7/8	8.0X3B-SK	SKX2	3	BX71	2041	22.72
		8.6X3LB-SF	SFX1 7/8	7.4X3B-SK	SKX2	3	BX68	2019	22.32
30	2100	8.6X3B-SK	SKX1 7/8	7.0X3B-SK	SKX2	3	BX68	2128	22.63
		9.4X3B-SK	SKX1 7/8	8.0X3B-SK	SKX2	3	BX71	2041	22.72
		8.6X3B-SK	SKX1 7/8	7.0X3LB-SF	SFX2	3	BX68	2128	22.63
30	2200	9.4X3B-SK	SKX1 7/8	7.4X3B-SK	SKX2	3	BX70	2198	22.68
		8.6X3B-SK	SKX1 7/8	6.8X3LB-SF	SFX2	3	BX68	2187	22.78
		8.6X3LB-SF	SFX1 7/8	6.8X3LB-SF	SFX2	3	BX68	2187	22.78
40	1100	8.6X4B-SK	SKX2 1/8	13.6X4B-SK	SKX2	4	BX72	1126	19.30
		6.6X5B-SK	SKX2 1/8	11.0X5B-SF	SFX2	5	BX65	1075	19.45
		6.8X5B-SK	SKX2 1/8	11.0X5B-SF	SFX2	5	BX65	1106	19.30
40	1200	8.6X4B-SK	SKX2 1/8	12.4X4B-SK	SKX2	4	BX70	1231	19.31
		11.0X3B-SK	SKX2 1/8	16.0X3B-SK	SKX2	3	BX80	1217	19.53
		9.4X4B-SK	SKX2 1/8	13.6X4B-SK	SKX2	4	BX73	1225	19.22
40	1300	8.0X4B-SK	SKX2 1/8	11.0X4B-SK	SKX2	4	BX67	1290	19.41
		11.0X3B-SK	SKX2 1/8	15.4X3B-SK	SKX2	3	BX79	1263	19.54
		6.8X5B-SK	SKX2 1/8	9.4X5B-SF	SFX2	5	BX62	1286	19.13
40	1400	11.0X3B-SK	SKX2 1/8	13.6X3B-SK	SKX2	3	BX76	1425	19.53
		8.6X4B-SK	SKX2 1/8	11.0X4B-SK	SKX2	4	BX68	1382	19.46
		11.0X3LB-SF	SFX2 1/8	13.6X3B-SK	SKX2	3	BX76	1425	19.53
40	1500	8.0X4B-SK	SKX2 1/8	9.4X4B-SK	SKX2	4	BX64	1500	19.22
		9.4X4B-SK	SKX2 1/8	11.0X4B-SK	SKX2	4	BX69	1505	19.36
		6.6X5B-SK	SKX2 1/8	8.0X5B-SF	SFX2	5	BX60	1459	19.42
40	1600	8.0X4B-SK	SKX2 1/8	8.6X4B-SK	SKX2	4	BX63	1634	19.36
		11.0X3B-SK	SKX2 1/8	12.4X3B-SK	SKX2	3	BX74	1559	19.50
		8.6X4B-SK	SKX2 1/8	9.4X4B-SK	SKX2	4	BX65	1607	19.25
40	1700	8.0X4B-SK	SKX2 1/8	8.0X4B-SK	SKX2	4	BX62	1750	19.33
		11.0X3B-SK	SKX2 1/8	11.0X3B-SK	SKX2	3	BX71	1750	19.12
		8.6X4B-SK	SKX2 1/8	8.6X4B-SK	SKX2	4	BX64	1750	19.39
40	1800	8.0X4B-SK	SKX2 1/8	8.0X4B-SK	SKX2	4	BX62	1750	19.33
		11.0X3B-SK	SKX2 1/8	11.0X3B-SK	SKX2	3	BX71	1750	19.12
		8.6X4B-SK	SKX2 1/8	8.6X4B-SK	SKX2	4	BX64	1750	19.39
40	1900	8.6X4B-SK	SKX2 1/8	8.0X4B-SK	SKX2	4	BX63	1875	19.36
		9.4X4B-SK	SKX2 1/8	8.6X4B-SK	SKX2	4	BX65	1905	19.25
		7.0X5B-SF	SFX2 1/8	6.4X5B-SK	SKX2	5	BX58	1904	19.37
40	2000	11.0X3B-SK	SKX2 1/8	9.4X3B-SK	SKX2	3	BX69	2035	19.36
		8.6X4B-SK	SKX2 1/8	7.4X4B-SK	SKX2	4	BX62	2019	19.32
		11.0X3B-SK	SKX2 1/8	9.4X3LB-SF	SFX2	3	BX69	2035	19.36

TABLE 52 - SUPPLY FAN DRIVES AIRFOIL 25-25 CLASS 2 (50 - 65 TON) (CONT'D)

MOTOR HP	NOM RPM	MOTOR PULLEY	MOTOR PULLEY BUSHING	BLOWER PULLEY	BLOWER PULLEY BUSHING	BELT QTY	BELT	DRIVE SPEED RPM	DRIVE CENTER DIST
40	2100	9.4X4B-SK	SKX2 1/8	8.0X4B-SK	SKX2	4	BX64	2041	19.22
		13.6X3B-SK	SKX2 1/8	11.0X3B-SK	SKX2	3	BX76	2149	19.53
		7.4X5B-SF	SFX2 1/8	6.0X5B-SK	SKX2	5	BX58	2132	19.36
40	2200	9.4X4B-SK	SKX2 1/8	7.4X4B-SK	SKX2	4	BX63	2198	19.17
		13.6X3B-SK	SKX2 1/8	11.0X3B-SK	SKX2	3	BX76	2149	19.53
		11.0X4B-SK	SKX2 1/8	8.6X4B-SK	SKX2	4	BX68	2216	19.46

Model numbers shown are for T B Woods

TABLE 53 - SUPPLY FAN DRIVES AIR FOIL CLASS 1 (70 - 105 TON)

MOTOR HP	NOM RPM	MOTOR PULLEY	MOTOR PULLEY BUSHING	BLOWER PULLEY	BLOWER PULLEY BUSHING	BELT QTY	BELT	DRIVE SPEED RPM	DRIVE CENTER DIST
30	1300	8.0X3B-SK	SKX1 7/8	11.0X3B-SK	SKX2 3/16	3	BX108	1290	39.94
		6.0X4B-SD	SDX1 7/8	8.0X4B-SK	SKX2 3/16	4	BX98	1334	38.89
		11.0X2B-SK	SKX1 7/8	15.4X2B-SK	SKX2 3/16	2	BX120	1263	40.10
30	1400	11.0X2B-SK	SKX1 7/8	13.6X2B-SK	SKX2 3/16	2	BX115	1425	39.05
		7.4X3B-SK	SKX1 7/8	9.4X3B-SK	SKX2 3/16	3	BX103	1393	39.19
		11.0X2LB-SF	SFX1 7/8	13.6X2B-SK	SKX2 3/16	2	BX115	1425	39.05
30	1500	7.4X3B-SK	SKX1 7/8	8.6X3B-SK	SKX2 3/16	3	BX103	1517	39.82
		8.0X3B-SK	SKX1 7/8	9.4X3B-SK	SKX2 3/16	3	BX103	1500	38.72
		7.4X3B-SK	SKX1 7/8	8.6X3LB-SF	SFX2 3/16	3	BX103	1517	39.82
30	1600	11.0X2B-SK	SKX1 7/8	12.4X2B-SK	SKX2 3/16	2	BX113	1559	39.01
		7.4X3B-SK	SKX1 7/8	8.0X3B-SK	SKX2 3/16	3	BX100	1625	38.80
		8.0X3B-SK	SKX1 7/8	8.6X3B-SK	SKX2 3/16	3	BX103	1634	39.36
30	1700	11.0X2B-SK	SKX1 7/8	11.0X2B-SK	SKX2 3/16	2	BX112	1750	39.62
		8.0X3B-SK	SKX1 7/8	8.0X3B-SK	SKX2 3/16	3	BX103	1750	39.83
		11.0X2B-SK	SKX1 7/8	11.0X2LB-SF	SFX2 3/16	2	BX112	1750	39.62

Model numbers shown are for T B Woods

TABLE 54 - SUPPLY FAN DRIVES AIR FOIL CLASS 2 (70 - 105 TON)

MOTOR HP	NOM RPM	MOTOR PULLEY	MOTOR PULLEY BUSHING	BLOWER PULLEY	BLOWER PULLEY BUSHING	BELT QTY	BELT	DRIVE SPEED RPM	DRIVE CENTER DIST
15	900	6.0X2B-SDS	SDSX1 5/8	12.4X2B-SK	SKX2 3/16	2	BX108	876	40.32
		6.2X2B-SDS	SDSX1 5/8	12.4X2B-SK	SKX2 3/16	2	BX108	903	40.17
		6.0X2LB-SF	SFX1 5/8	12.4X2B-SK	SKX2 3/16	2	BX108	876	40.32
15	1000	6.0X2B-SDS	SDSX1 5/8	11.0X2B-SK	SKX2 3/16	2	BX105	983	39.97
		6.2X2B-SDS	SDSX1 5/8	11.0X2B-SK	SKX2 3/16	2	BX105	1014	39.81
		4.4X3B-SH	SHX1 5/8	8.0X3B-SK	SKX2 3/16	3	BX97	1001	39.62
15	1100	5.8X2B-SDS	SDSX1 5/8	9.4X2B-SK	SKX2 3/16	2	BX103	1108	40.42
		5.8X2B-SDS	SDSX1 5/8	9.4X2LB-SF	SFX2 3/16	2	BX103	1108	40.42
		6.6X2B-SDS	SDSX1 5/8	11.0X2B-SK	SKX2 3/16	2	BX105	1075	39.51
15	1200	5.8X2B-SDS	SDSX1 5/8	8.6X2B-SK	SKX2 3/16	2	BX100	1206	39.56
		6.2X2B-SDS	SDSX1 5/8	9.4X2B-SK	SKX2 3/16	2	BX103	1179	40.11
		6.4X2B-SDS	SDSX1 5/8	9.4X2B-SK	SKX2 3/16	2	BX103	1215	39.96
15	1300	5.8X2B-SDS	SDSX1 5/8	8.0X2B-SK	SKX2 3/16	2	BX99	1292	39.54
		6.0X2B-SDS	SDSX1 5/8	8.0X2B-SK	SKX2 3/16	2	BX99	1334	39.39
		6.2X2B-SDS	SDSX1 5/8	8.6X2B-SK	SKX2 3/16	2	BX100	1284	39.25
15	1400	5.8X2B-SDS	SDSX1 5/8	7.4X2B-SK	SKX2 3/16	2	BX98	1392	39.52
		6.0X2B-SDS	SDSX1 5/8	7.4X2B-SK	SKX2 3/16	2	BX98	1436	39.36
		6.2X2B-SDS	SDSX1 5/8	8.0X2B-SK	SKX2 3/16	2	BX99	1376	39.23
15	1500	6.0X2B-SDS	SDSX1 5/8	7.0X2B-SK	SKX2 3/16	2	BX97	1514	39.18
		6.2X2B-SDS	SDSX1 5/8	7.4X2B-SK	SKX2 3/16	2	BX98	1481	39.21
		6.4X2B-SDS	SDSX1 5/8	7.4X2B-SK	SKX2 3/16	2	BX99	1526	39.55
15	1600	6.2X2B-SDS	SDSX1 5/8	7.0X2B-SK	SKX2 3/16	2	BX98	1561	39.53
		6.4X2B-SDS	SDSX1 5/8	7.0X2B-SK	SKX2 3/16	2	BX98	1608	39.37
		6.6X2B-SDS	SDSX1 5/8	7.4X2B-SK	SKX2 3/16	2	BX99	1571	39.40
15	1700	6.6X2B-SDS	SDSX1 5/8	7.0X2B-SK	SKX2 3/16	2	BX98	1656	39.21
		6.8X2B-SDS	SDSX1 5/8	7.0X2B-SK	SKX2 3/16	2	BX99	1703	39.56
		8.6X2B-SK	SKX1 5/8	8.6X2B-SK	SKX2 3/16	2	AX105	1750	39.64
20	900	5.4X3B-SD	SDX1 5/8	11.0X3B-SK	SKX2 3/16	3	BX103	891	39.42
		5.6X3B-SD	SDX1 5/8	11.0X3B-SK	SKX2 3/16	3	BX103	922	39.26
		5.6X3LB-SF	SFX1 5/8	11.0X3B-SK	SKX2 3/16	3	BX103	922	39.26
20	1000	7.4X2B-SK	SKX1 5/8	13.6X2B-SK	SKX2 3/16	2	BX112	976	40.28
		6.0X3B-SD	SDX1 5/8	11.0X3B-SK	SKX2 3/16	3	BX105	983	39.97
		6.2X3B-SD	SDX1 5/8	11.0X3B-SK	SKX2 3/16	3	BX105	1014	39.81
20	1100	7.4X2B-SK	SKX1 5/8	12.4X2B-SK	SKX2 3/16	2	BX108	1067	39.26
		5.4X3B-SD	SDX1 5/8	8.6X3B-SK	SKX2 3/16	3	BX99	1129	39.37
		5.6X3B-SD	SDX1 5/8	9.4X3B-SK	SKX2 3/16	3	BX103	1072	40.57
20	1200	7.4X2B-SK	SKX1 5/8	11.0X2B-SK	SKX2 3/16	2	BX108	1198	40.40
		5.4X3B-SD	SDX1 5/8	8.0X3B-SK	SKX2 3/16	3	BX98	1209	39.35
		8.6X2B-SK	SKX1 5/8	12.4X2B-SK	SKX2 3/16	2	BX112	1231	40.36
20	1300	8.0X2B-SK	SKX1 5/8	11.0X2B-SK	SKX2 3/16	2	BX108	1290	39.94
		5.4X3B-SD	SDX1 5/8	7.4X3B-SK	SKX2 3/16	3	BX97	1302	39.33
		5.8X3B-SD	SDX1 5/8	8.0X3B-SK	SKX2 3/16	3	BX99	1292	39.54

TABLE 54 - SUPPLY FAN DRIVES AIR FOIL CLASS 2 (70 - 105 TON) (CONT'D)

MOTOR HP	NOM RPM	MOTOR PULLEY	MOTOR PULLEY BUSHING	BLOWER PULLEY	BLOWER PULLEY BUSHING	BELT QTY	BELT	DRIVE SPEED RPM	DRIVE CENTER DIST
20	1400	7.4X2B-SK	SKX1 5/8	9.4X2B-SK	SKX2 3/16	2	BX103	1393	39.19
		5.4X3B-SD	SDX1 5/8	7.0X3B-SK	SKX2 3/16	3	BX96	1372	39.15
		7.4X2B-SK	SKX1 5/8	9.4X2LB-SF	SFX2 3/16	2	BX103	1393	39.19
20	1500	7.4X2B-SK	SKX1 5/8	8.6X2B-SK	SKX2 3/16	2	BX103	1517	39.82
		8.0X2B-SK	SKX1 5/8	9.4X2B-SK	SKX2 3/16	2	BX105	1500	39.72
		7.4X2B-SK	SKX1 5/8	8.6X2LB-SF	SFX2 3/16	2	BX103	1517	39.82
20	1600	7.4X2B-SK	SKX1 5/8	8.0X2B-SK	SKX2 3/16	2	BX103	1625	40.30
		8.0X2B-SK	SKX1 5/8	8.6X2B-SK	SKX2 3/16	2	BX103	1634	39.36
		8.6X2B-SK	SKX1 5/8	9.4X2B-SK	SKX2 3/16	2	BX105	1607	39.26
20	1700	8.0X2B-SK	SKX1 5/8	8.0X2B-SK	SKX2 3/16	2	BX103	1750	39.83
		8.6X2B-SK	SKX1 5/8	8.6X2B-SK	SKX2 3/16	2	BX105	1750	39.89
		9.4X2B-SK	SKX1 5/8	9.4X2B-SK	SKX2 3/16	2	BX108	1750	40.13
25	1000	6.2X3B-SD	SDX1 7/8	11.0X3B-SK	SKX2 3/16	3	BX105	1014	39.81
		8.6X2B-SK	SKX1 7/8	15.4X2B-SK	SKX2 3/16	2	BX115	997	39.40
		6.2X3B-SD	SDX1 7/8	11.0X3LB-SF	SFX2 3/16	3	BX105	1014	39.81
25	1100	8.6X2B-SK	SKX1 7/8	13.6X2B-SK	SKX2 3/16	2	BX112	1126	39.38
		8.6X2LB-SF	SFX1 7/8	13.6X2B-SK	SKX2 3/16	2	BX112	1126	39.38
		6.6X3B-SD	SDX1 7/8	11.0X3B-SK	SKX2 3/16	3	BX105	1075	39.51
25	1200	8.6X2B-SK	SKX1 7/8	12.4X2B-SK	SKX2 3/16	2	BX112	1231	40.36
		8.6X2LB-SF	SFX1 7/8	12.4X2B-SK	SKX2 3/16	2	BX112	1231	40.36
		6.2X3B-SD	SDX1 7/8	9.4X3B-SK	SKX2 3/16	3	BX103	1179	40.11
25	1300	6.4X3B-SD	SDX1 7/8	8.6X3B-SK	SKX2 3/16	3	BX100	1323	39.10
		6.8X3B-SD	SDX1 7/8	9.4X3B-SK	SKX2 3/16	3	BX103	1286	39.65
		6.4X3B-SD	SDX1 7/8	8.6X3LB-SF	SFX2 3/16	3	BX100	1323	39.10
25	1400	6.4X3B-SD	SDX1 7/8	8.0X3B-SK	SKX2 3/16	3	BX99	1417	39.08
		6.6X3B-SD	SDX1 7/8	8.6X3B-SK	SKX2 3/16	3	BX100	1362	38.94
		6.8X3B-SD	SDX1 7/8	8.6X3B-SK	SKX2 3/16	3	BX100	1401	38.79
25	1500	9.4X2B-SK	SKX1 7/8	11.0X2B-SK	SKX2 3/16	2	BX108	1505	38.86
		6.4X3B-SD	SDX1 7/8	7.4X3B-SK	SKX2 3/16	3	BX98	1526	39.05
		6.6X3B-SD	SDX1 7/8	8.0X3B-SK	SKX2 3/16	3	BX99	1459	38.92
25	1600	6.4X3B-SD	SDX1 7/8	7.0X3B-SK	SKX2 3/16	3	BX97	1608	38.87
		6.6X3B-SD	SDX1 7/8	7.4X3B-SK	SKX2 3/16	3	BX98	1571	38.90
		6.8X3B-SD	SDX1 7/8	7.4X3B-SK	SKX2 3/16	3	BX98	1616	38.74
25	1700	9.4X2B-SK	SKX1 7/8	9.4X2B-SK	SKX2 3/16	2	BX108	1750	40.13
		9.4X2LB-SF	SFX1 7/8	9.4X2B-SK	SKX2 3/16	2	BX108	1750	40.13
		9.4X2B-SK	SKX1 7/8	9.4X2LB-SF	SFX2 3/16	2	BX108	1750	40.13
30	1100	7.4X3B-SK	SKX1 7/8	12.4X3B-SK	SKX2 3/16	3	BX108	1067	39.26
		5.8X4B-SD	SDX1 7/8	9.4X4B-SK	SKX2 3/16	4	BX100	1108	38.92
		8.6X3B-SK	SKX1 7/8	13.6X3B-SK	SKX2 3/16	3	BX112	1126	39.38
30	1200	7.4X3B-SK	SKX1 7/8	11.0X3B-SK	SKX2 3/16	3	BX105	1198	38.90
		5.8X4B-SD	SDX1 7/8	8.6X4B-SK	SKX2 3/16	4	BX99	1206	39.06
		7.4X3B-SK	SKX1 7/8	11.0X3LB-SF	SFX2 3/16	3	BX105	1198	38.90

TABLE 54 - SUPPLY FAN DRIVES AIR FOIL CLASS 2 (70 - 105 TON) (CONT'D)

MOTOR HP	NOM RPM	MOTOR PULLEY	MOTOR PULLEY BUSHING	BLOWER PULLEY	BLOWER PULLEY BUSHING	BELT QTY	BELT	DRIVE SPEED RPM	DRIVE CENTER DIST
30	1300	8.0X3B-SK	SKX1 7/8	11.0X3B-SK	SKX2 3/16	3	BX108	1290	39.94
		5.8X4B-SD	SDX1 7/8	8.0X4B-SK	SKX2 3/16	4	BX98	1292	39.04
		6.0X4B-SD	SDX1 7/8	8.0X4B-SK	SKX2 3/16	4	BX98	1334	38.89
30	1400	11.0X2B-SK	SKX1 7/8	13.6X2B-SK	SKX2 3/16	2	BX115	1425	39.05
		7.4X3B-SK	SKX1 7/8	9.4X3B-SK	SKX2 3/16	3	BX103	1393	39.19
		11.0X2LB-SF	SFX1 7/8	13.6X2B-SK	SKX2 3/16	2	BX115	1425	39.05
30	1500	7.4X3B-SK	SKX1 7/8	8.6X3B-SK	SKX2 3/16	3	BX103	1517	39.82
		8.0X3B-SK	SKX1 7/8	9.4X3B-SK	SKX2 3/16	3	BX103	1500	38.72
		7.4X3B-SK	SKX1 7/8	8.6X3LB-SF	SFX2 3/16	3	BX103	1517	39.82
30	1600	11.0X2B-SK	SKX1 7/8	12.4X2B-SK	SKX2 3/16	2	BX113	1559	39.01
		7.4X3B-SK	SKX1 7/8	8.0X3B-SK	SKX2 3/16	3	BX100	1625	38.80
		8.0X3B-SK	SKX1 7/8	8.6X3B-SK	SKX2 3/16	3	BX103	1634	39.36
30	1700	11.0X2B-SK	SKX1 7/8	11.0X2B-SK	SKX2 3/16	2	BX112	1750	39.62
		8.0X3B-SK	SKX1 7/8	8.0X3B-SK	SKX2 3/16	3	BX103	1750	39.83
		11.0X2B-SK	SKX1 7/8	11.0X2LB-SF	SFX2 3/16	2	BX112	1750	39.62
40	1300	8.0X4B-SK	SKX2 1/8	11.0X4B-SK	SKX2 3/16	4	BX112	1290	41.95
		6.0X5B-SK	SKX2 1/8	8.0X5B-SF	SFX2 3/16	5	BX103	1334	41.39
		11.0X3B-SK	SKX2 1/8	15.4X3B-SK	SKX2 3/16	3	BX123	1263	41.60
40	1400	7.4X4B-SK	SKX2 1/8	9.4X4B-SK	SKX2 3/16	4	BX108	1393	41.69
		11.0X3B-SK	SKX2 1/8	13.6X3B-SK	SKX2 3/16	3	BX120	1425	41.55
		8.6X4B-SK	SKX2 1/8	11.0X4B-SK	SKX2 3/16	4	BX112	1382	41.48
40	1500	9.4X3B-SK	SKX2 1/8	11.0X3B-SK	SKX2 3/16	3	BX112	1505	40.87
		9.4X3LB-SF	SFX2 1/8	11.0X3B-SK	SKX2 3/16	3	BX112	1505	40.87
		9.4X3B-SK	SKX2 1/8	11.0X3LB-SF	SFX2 3/16	3	BX112	1505	40.87
40	1600	7.4X4B-SK	SKX2 1/8	8.0X4B-SK	SKX2 3/16	4	BX105	1625	41.30
		11.0X3B-SK	SKX2 1/8	12.4X3B-SK	SKX2 3/16	3	BX116	1559	40.51
		8.0X4B-SK	SKX2 1/8	8.6X4B-SK	SKX2 3/16	4	BX108	1634	41.86
40	1700	9.4X3B-SK	SKX2 1/8	9.4X3B-SK	SKX2 3/16	3	BX112	1750	42.13
		9.4X3B-SK	SKX2 1/8	9.4X3LB-SF	SFX2 3/16	3	BX112	1750	42.13
		9.4X3LB-SF	SFX2 1/8	9.4X3B-SK	SKX2 3/16	3	BX112	1750	42.13
50	1400	8.6X4B-SK	SKX2 1/8	11.0X4B-SK	SKX2 3/16	4	BX112	1382	41.48
		12.4X3B-SK	SKX2 1/8	15.4X3B-SK	SKX2 3/16	3	BX123	1418	40.53
		12.4X3B-SK	SKX2 1/8	16.0X3B-SK	SKX2 3/16	3	BX124	1366	40.55
50	1500	9.4X4B-SK	SKX2 1/8	11.0X4B-SK	SKX2 3/16	4	BX112	1505	40.87
		13.6X3B-SK	SKX2 1/8	16.0X3B-SK	SKX2 3/16	3	BX126	1494	40.63
		7.4X5B-SF	SFX2 1/8	8.6X5B-SF	SFX2 3/16	5	BX105	1517	40.82
50	1600	12.4X3B-SK	SKX2 1/8	13.6X3B-SK	SKX2 3/16	3	BX123	1600	41.97
		11.0X4B-SK	SKX2 1/8	12.4X4B-SK	SKX2 3/16	4	BX116	1559	40.51
		7.4X5B-SF	SFX2 1/8	8.0X5B-SF	SFX2 3/16	5	BX105	1625	41.30
50	1700	12.4X3B-SK	SKX2 1/8	12.4X3B-SK	SKX2 3/16	3	BX120	1750	41.42
		9.4X4B-SK	SKX2 1/8	9.4X4B-SK	SKX2 3/16	4	BX112	1750	42.13
		13.6X3B-SK	SKX2 1/8	13.6X3B-SK	SKX2 3/16	3	BX123	1750	41.03

TABLE 54 - SUPPLY FAN DRIVES AIR FOIL CLASS 2 (70 - 105 TON) (CONT'D)

MOTOR HP	NOM RPM	MOTOR PULLEY	MOTOR PULLEY BUSHING	BLOWER PULLEY	BLOWER PULLEY BUSHING	BELT QTY	BELT	DRIVE SPEED RPM	DRIVE CENTER DIST
60	1400	11.0X4B-SK	SKX2 3/8	13.6X4B-SK	SKX2 3/16	4	BX120	1425	41.55
		8.6X5B-SF	SFX2 3/8	11.0X5B-SF	SFX2 3/16	5	BX112	1382	41.48
		12.4X4B-SK	SKX2 3/8	15.4X4B-SF	SFX2 3/16	4	BX123	1418	40.53
60	1500	9.4X5B-SF	SFX2 3/8	11.0X5B-SF	SFX2 3/16	5	BX112	1505	40.87
		13.6X4B-SK	SKX2 3/8	16.0X4B-SF	SFX2 3/16	4	BX126	1494	40.63
		7.4X6B-SF	SFX2 3/8	8.6X6B-SF	SFX2 3/16	6	BX105	1517	40.82
60	1600	11.0X4B-SK	SKX2 3/8	12.4X4B-SK	SKX2 3/16	4	BX115	1559	40.01
		8.6X5B-SF	SFX2 3/8	9.4X5B-SF	SFX2 3/16	5	BX108	1607	40.76
		12.4X4B-SK	SKX2 3/8	13.6X4B-SK	SKX2 3/16	4	BX120	1600	40.47
60	1700	11.0X4B-SK	SKX2 3/8	11.0X4B-SK	SKX2 3/16	4	BX113	1750	40.12
		12.4X4B-SK	SKX2 3/8	12.4X4B-SK	SKX2 3/16	4	BX120	1750	41.42
		8.6X5B-SF	SFX2 3/8	8.6X5B-SF	SFX2 3/16	5	BX105	1750	39.89

Model numbers shown are for T B Woods

TABLE 55 - SUPPLY FAN VARIABLE FREQUENCY DRIVES

FIG	ITEM	UNIT SIZE	MOTOR HP	PART NUMBER				
				200-230 VOLTS (60 HZ)	460 VOLTS (60 HZ)	575 VOLTS (60 HZ)	400 VOLTS (50 HZ)	380 VOLTS (50 HZ)
30	1	50 - 105	10	025-42047-003	025-42047-103	025-42047-203	025-42047-103	025-42047-103
30	1		15	025-42047-004	025-42047-104	025-42047-204	025-42047-104	025-42047-104
30	1		20	025-42047-005	025-42047-105	025-42047-205	025-42047-105	025-42047-105
30	1		25	025-42047-006	025-42047-106	025-42047-206	025-42047-106	025-42047-106
30	1		30	025-42047-007	025-42047-107	025-42047-207	025-42047-107	025-42047-107
30	1		40	025-42047-008	025-42047-108	025-42047-208	025-42047-108	025-42047-108
30	1		50	025-42047-009	025-42047-109	025-42047-209	025-42047-109	025-42047-109
30	1		60	025-42047-010	025-42047-110	025-42047-210	025-42047-110	025-42047-110

TABLE 56 - SUPPLY FAN VFD BYPASS PANELS

FIG	ITEM	UNIT SIZE	MOTOR HP	PART NUMBER				
				200 VOLTS (60 HZ)	230 VOLTS (60 HZ)	460 VOLTS (60 HZ)	575 VOLTS (60 HZ)	400 VOLTS (50 HZ) 380 VOLTS (60 HZ)
30	2	50-105	10	325-36321-006	325-36321-005	325-36321-003	325-36321-002	325-36321-003
30	2		15	325-36321-007	325-36321-007	325-36321-004	325-36321-003	325-36321-005
30	2		20	325-36321-008	325-36321-008	325-36321-004	325-36321-004	325-36321-006
30	2		25	325-36321-009 ¹	325-36321-009 ¹	325-36321-005	325-36321-005	325-36321-007
30	2		30	325-36321-010 ¹	325-36321-010 ¹	325-36321-006	325-36321-006	325-36321-008
30	2		40	325-36321-011 ²	325-36321-010 ¹	325-36321-007	325-36321-007	325-36321-009 ¹
30	2	70-105	50	325-36321-012 ²	325-36321-011 ²	325-36321-008	325-36321-008	325-36321-009 ¹
30	2		60	325-36321-012 ²	325-36321-012 ²	325-36321-009 ¹	325-36321-008	325-36321-010 ¹

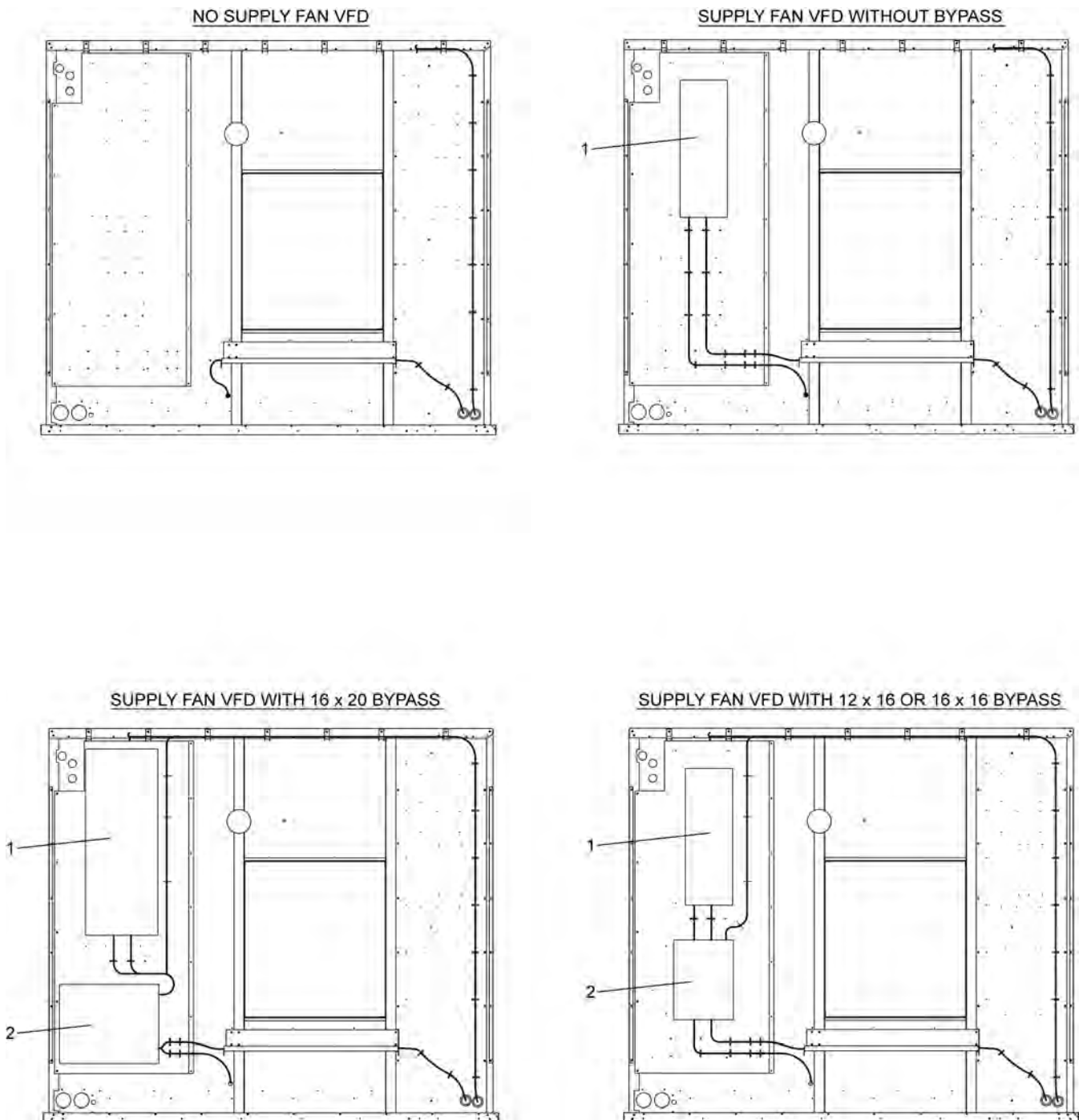
Notes:

See Table 60 for VFD Bypass Panel Replacement Parts.

Bypass Panels = 12 x 16 unless otherwise noted.

1 Bypass Panels = 16 x 16.

2 Bypass Panels = 16 x 20.



LD11853

FIG. 30 - SUPPLY FAN MOTOR VFD AND VFD BYPASS PANEL

TABLE 57 - EXHAUST FAN MOTOR VARIABLE FREQUENCY DRIVES

FIG	ITEM	UNIT SIZE	MTR HP	PART NUMBER				
				200-230 VOLTS (60 HZ)	460 VOLTS (60 HZ)	575 VOLTS (60 HZ)	400 VOLTS (50 HZ)	380 VOLTS (50 HZ)
31	3	50 - 105	5	025-42047-001	025-42047-101	025-42047-201	025-42047-101	025-42047-101
31	3		7.4	025-42047-002	025-42047-102	025-42047-202	025-42047-102	025-42047-102
31	3		10	025-42047-003	025-42047-103	025-42047-203	025-42047-103	025-42047-103
31	3		15	025-42047-004	025-42047-104	025-42047-204	025-42047-104	025-42047-104
31	3		20	025-42047-005	025-42047-105	025-42047-205	025-42047-105	025-42047-105
31	3		25	025-42047-006	025-42047-106	025-42047-206	025-42047-106	025-42047-106
31	3		30	025-42047-007	025-42047-107	025-42047-207	025-42047-107	025-42047-107

TABLE 58 - RETURN FAN MOTOR VARIABLE FREQUENCY DRIVES

FIG	ITEM	UNIT SIZE	MTR HP	PART NUMBER				
				200-230 VOLTS (60 HZ)	460 VOLTS (60 HZ)	575 VOLTS (60 HZ)	400 VOLTS (50 HZ)	380 VOLTS (50 HZ)
31	3	50 - 105	5	025-42047-003	025-42047-103	025-42047-203	025-42047-103	025-42047-103
31	3		7.5	025-42047-004	025-42047-104	025-42047-204	025-42047-104	025-42047-104
31	3		10	025-42047-005	025-42047-105	025-42047-205	025-42047-105	025-42047-105
31	3		15	025-42047-007	025-42047-107	025-42047-207	025-42047-107	025-42047-107
31	3		20	025-42047-008	025-42047-108	025-42047-208	025-42047-108	025-42047-108

TABLE 59 - EXHAUST FAN MOTOR VFD BYPASS PANELS

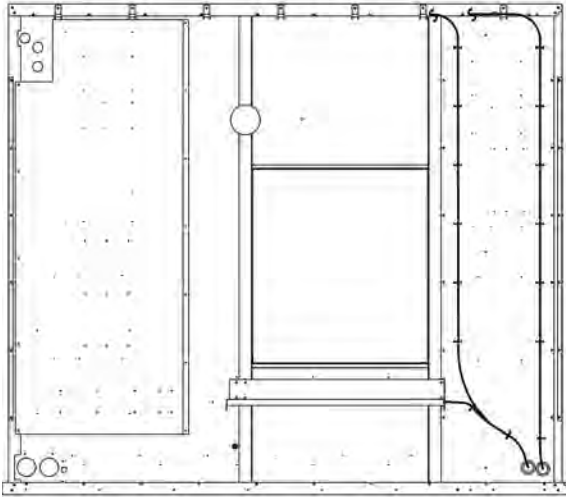
FIG	ITEM	UNIT SIZE	MOTOR HP	PART NUMBER				
				200-230 VOLTS (60 HZ)	460 VOLTS (60 HZ)	575 VOLTS (60 HZ)	400 VOLTS (50 HZ)	380 VOLTS (50 HZ)
31	4	50-105	5	NA	325-36321-001	325-36321-001	325-36321-002	325-36321-002
31	4		7.5	NA	325-36321-002	325-36321-001	325-36321-003	325-36321-003
31	4		10	NA	325-36321-003	325-36321-002	325-36321-003	325-36321-003
31	4		15	NA	325-36321-004	325-36321-003	325-36321-005	325-36321-005
31	4		20	NA	325-36321-004	325-36321-004	325-36321-006	325-36321-006
31	4		25	NA	325-36321-005	325-36321-005	325-36321-007	325-36321-007
31	4		30	NA	325-36321-006	325-36321-006	325-36321-008	325-36321-008

Notes:

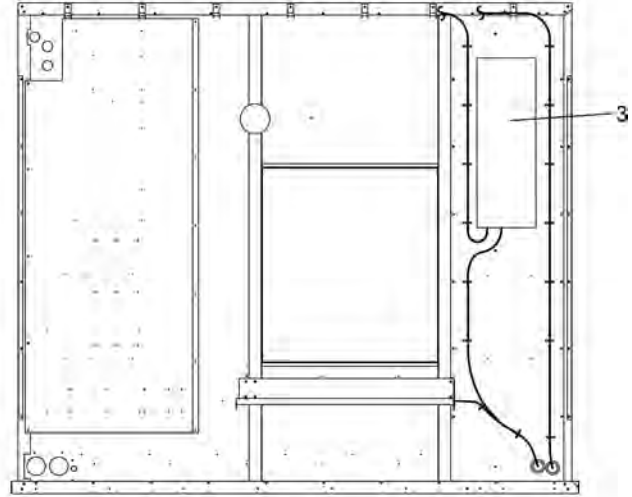
See Table 60 for VFD Bypass Panel Replacement Parts.

Bypass Panels = 12 x 16 unless otherwise noted.

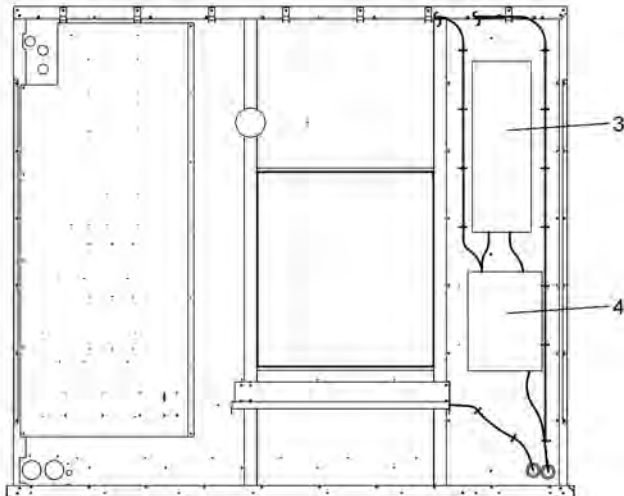
NO EXHAUST FAN VFD



EXHAUST FAN VFD WITHOUT BYPASS



EXHAUST FAN VFD WITH BYPASS



LD11853

FIG. 31 - EXHAUST FAN MOTOR VDF AND VFD BYPASS PANEL

TABLE 60 - VFD BYPASS PANEL REPLACEMENT PARTS

FIG	ITEM	VFD BYPASS BOX PART NUMBER	PART DESCRIPTION	PART NUMBER	QUANTITY
32	1	325-36321-001	CONTACTOR	024-34300-000	3
32	2		SURGE SUPPRESSOR	031-02106-000	2
32	3		SURGE SUPPRESSOR	031-02104-000	1
32	4		OVERLOAD RELAY	024-34321-000	1
32	1	325-36321-002	CONTACTOR	024-34304-000	3
32	2		SURGE SUPPRESSOR	031-02106-000	2
32	3		SURGE SUPPRESSOR	031-02104-000	1
32	4		OVERLOAD RELAY	024-34322-000	1
32	1	325-36321-003	CONTACTOR	024-34305-000	3
32	2		SURGE SUPPRESSOR	031-02106-000	2
32	3		SURGE SUPPRESSOR	031-02104-000	1
32	4		OVERLOAD RELAY	024-34323-000	1
32	1	325-36321-004	CONTACTOR	024-34306-000	3
32	2		SURGE SUPPRESSOR	031-02106-000	2
32	3		SURGE SUPPRESSOR	031-02104-000	1
32	4		OVERLOAD RELAY	024-34324-000	1
33	1	325-36321-005	CONTACTOR	024-34307-000	3
33	2		SURGE SUPPRESSOR	031-02101-000	3
33	4		OVERLOAD RELAY	024-34325-000	1
33	1	325-36321-006	CONTACTOR	024-34308-000	3
33	2		SURGE SUPPRESSOR	031-02101-000	3
33	4		OVERLOAD RELAY	024-34326-000	1
33	1	325-36321-007	CONTACTOR	024-34309-000	3
33	2		SURGE SUPPRESSOR	031-02101-000	3
33	4		OVERLOAD RELAY	024-34327-000	1
34	1	325-36321-008	CONTACTOR	024-34310-000	3
34	2		SURGE SUPPRESSOR	031-02101-000	3
34	4		OVERLOAD RELAY	024-34328-000	1
35	1	325-36321-009	CONTACTOR	024-31109-000	3
35	2		SURGE SUPPRESSOR	031-02203-000	3
35	4		OVERLOAD RELAY	024-34329-000	1
35	1	325-36321-010	CONTACTOR	024-31110-000	3
35	2		SURGE SUPPRESSOR	031-02203-000	3
35	4		OVERLOAD RELAY	024-33133-000	1
36	1	325-36321-011	CONTACTOR	024-31891-000	3
36	2		SURGE SUPPRESSOR	031-02203-000	3
36	4		OVERLOAD RELAY	024-34295-000	1
36	1	325-36321-012	CONTACTOR	024-31892-000	3
36	2		SURGE SUPPRESSOR	031-02203-000	3
36	4		OVERLOAD RELAY	024-34296-000	1
32-36	5	ALL	SELECTOR SWITCH	028-14329-000	1
	6		CONTACT BLOCK	028-14330-000	3

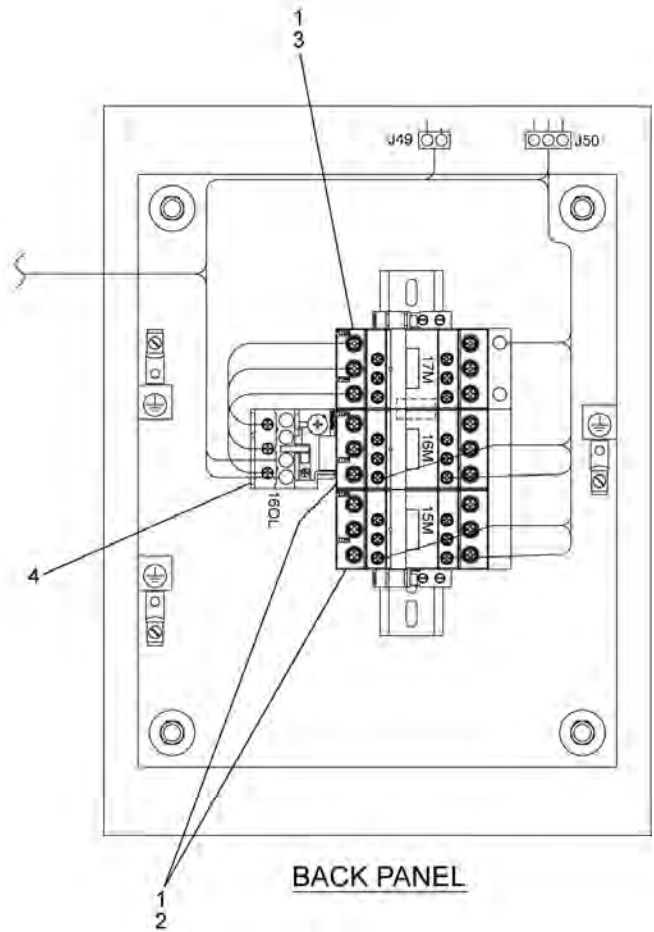
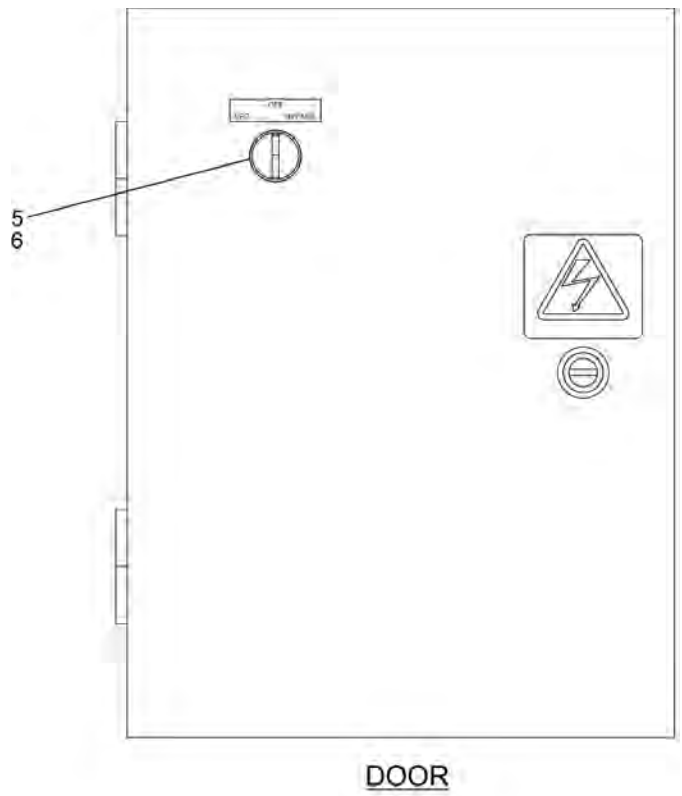
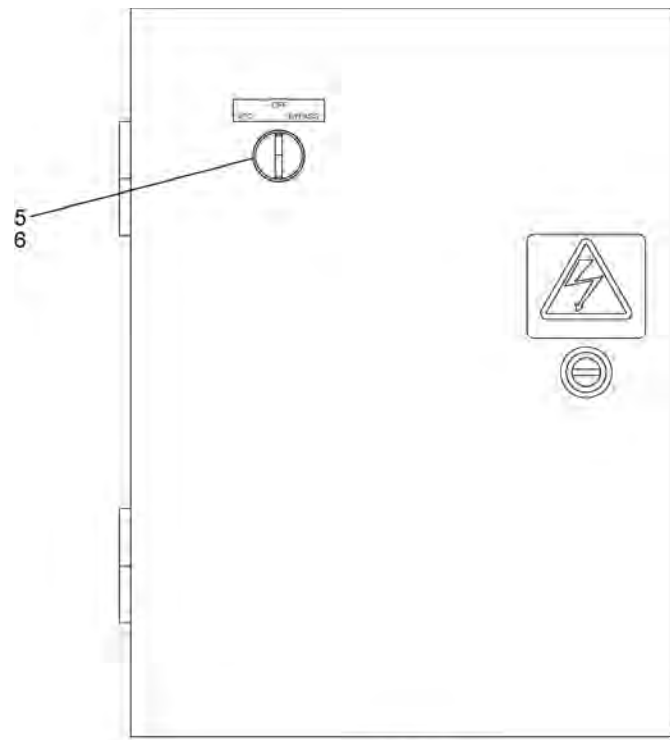
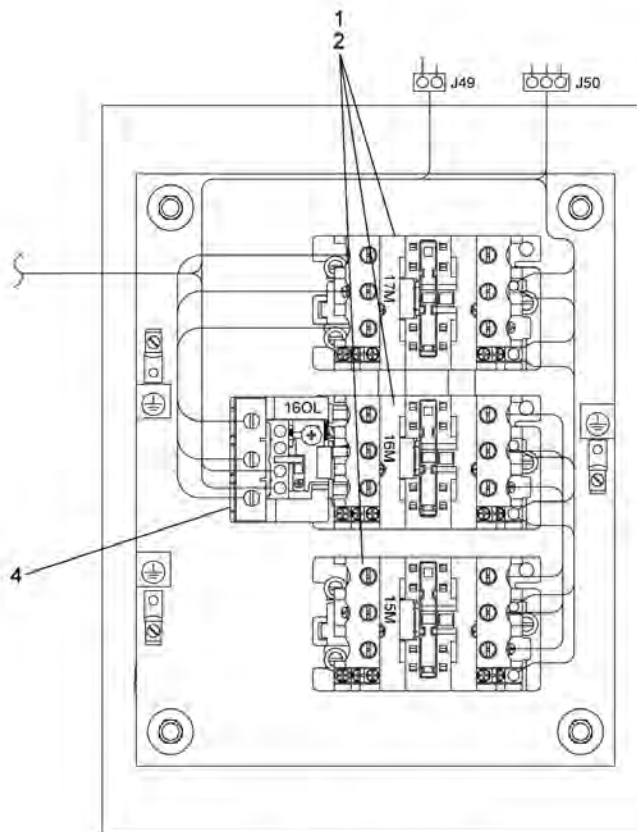


FIG. 32 - VFD BYPASS PANEL REPLACEMENT PARTS (6-25 MOTOR FLA)

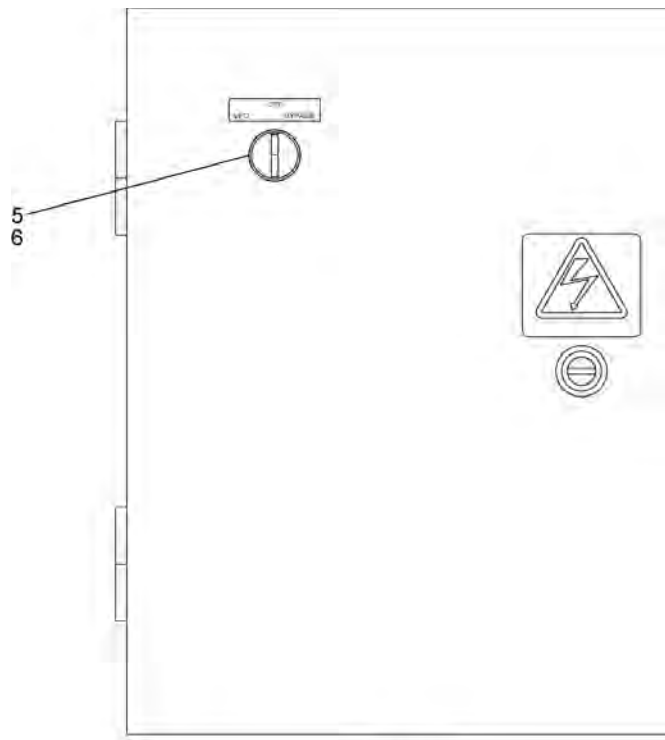


DOOR

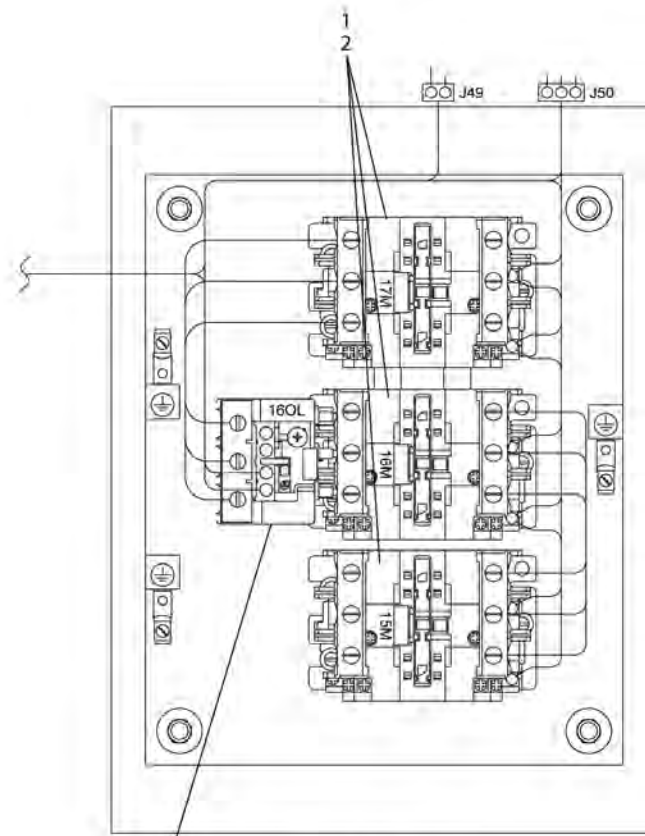


BACK PANEL

FIG. 33 - VFD BYPASS PANEL REPLACEMENT PARTS (23-50 MOTOR FLA)

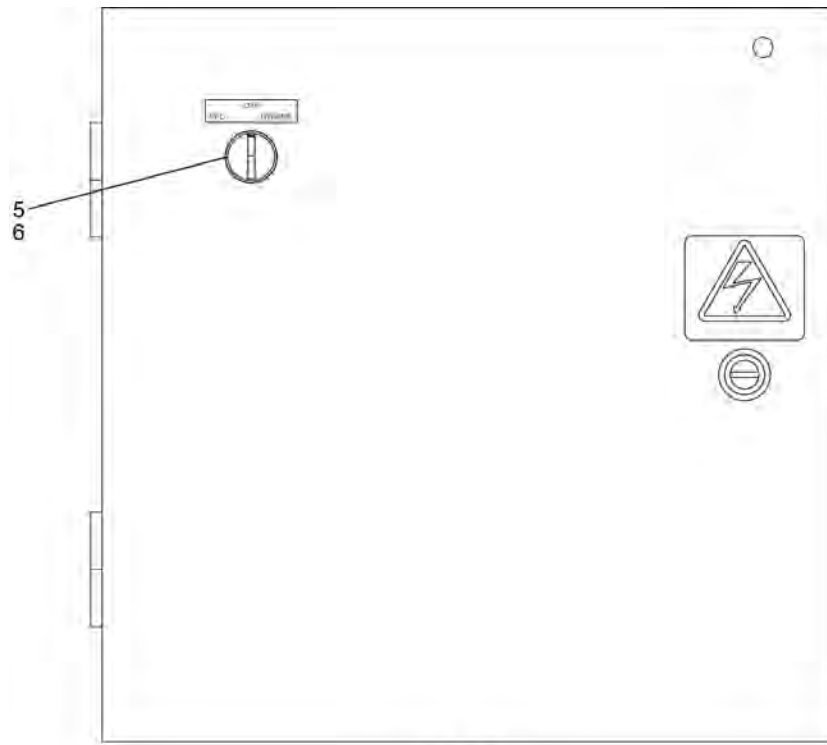


DOOR

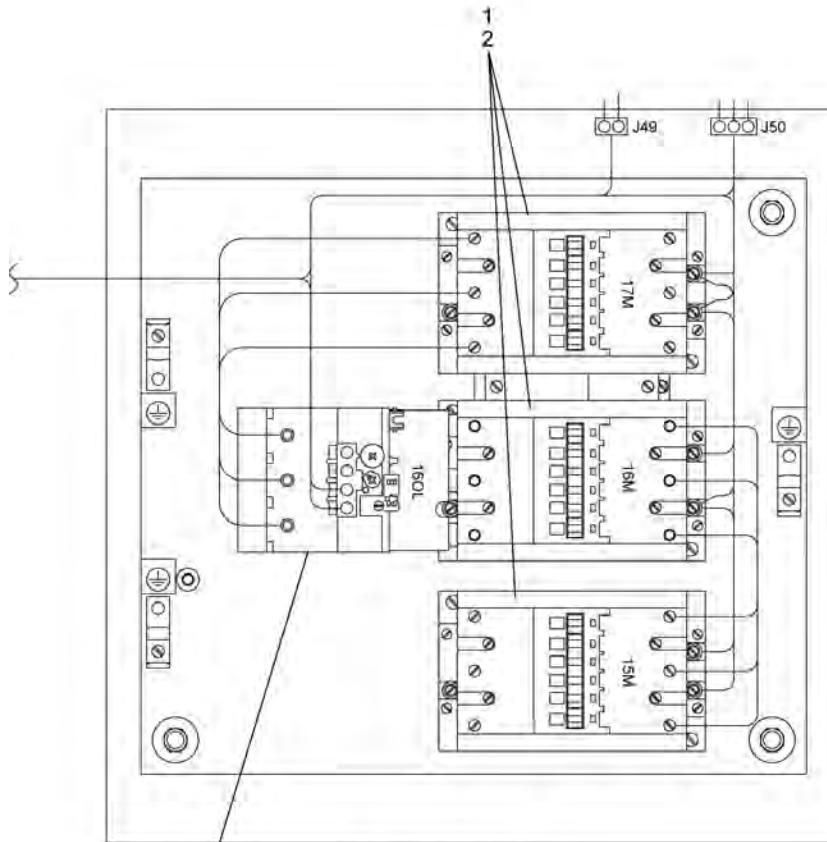


BACK PANEL

FIG. 34 - VFD BYPASS PANEL REPLACEMENT PARTS (48-65 MOTOR FLA)



DOOR



BACK PANEL

FIG. 35 - VFD BYPASS PANEL REPLACEMENT PARTS (60-110 MOTOR FLA)

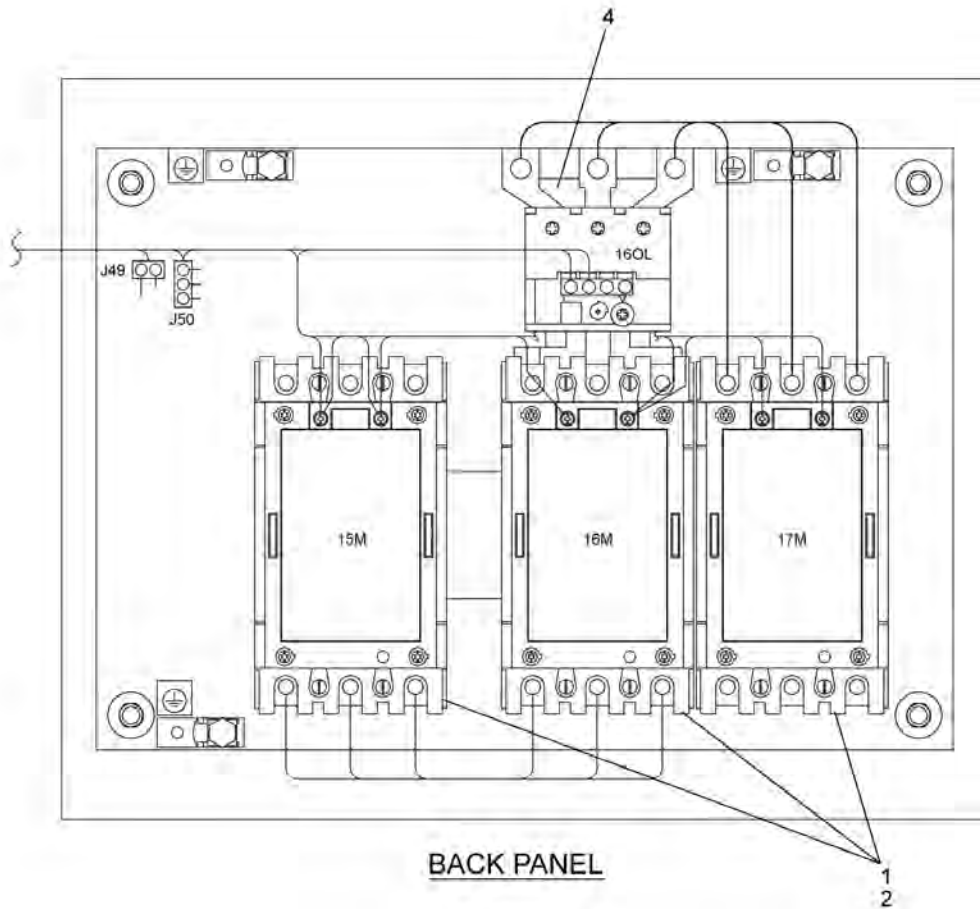
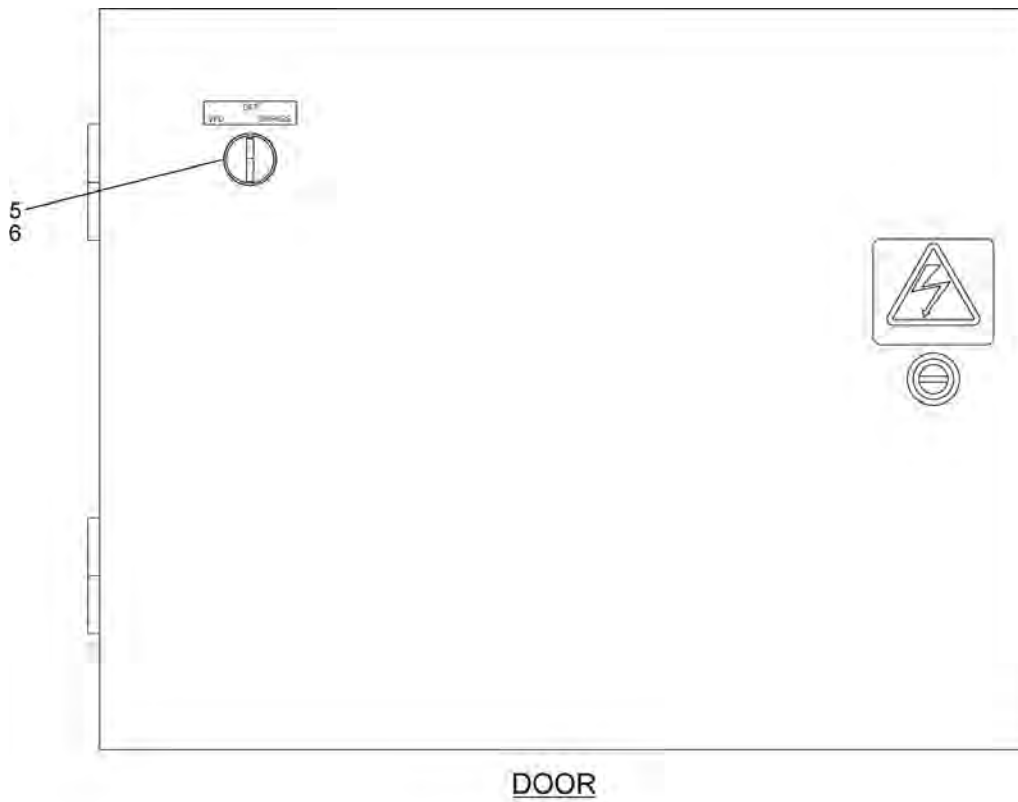


FIG. 36 - VFD BYPASS PANEL REPLACEMENT PARTS (110-200 MOTOR FLA)

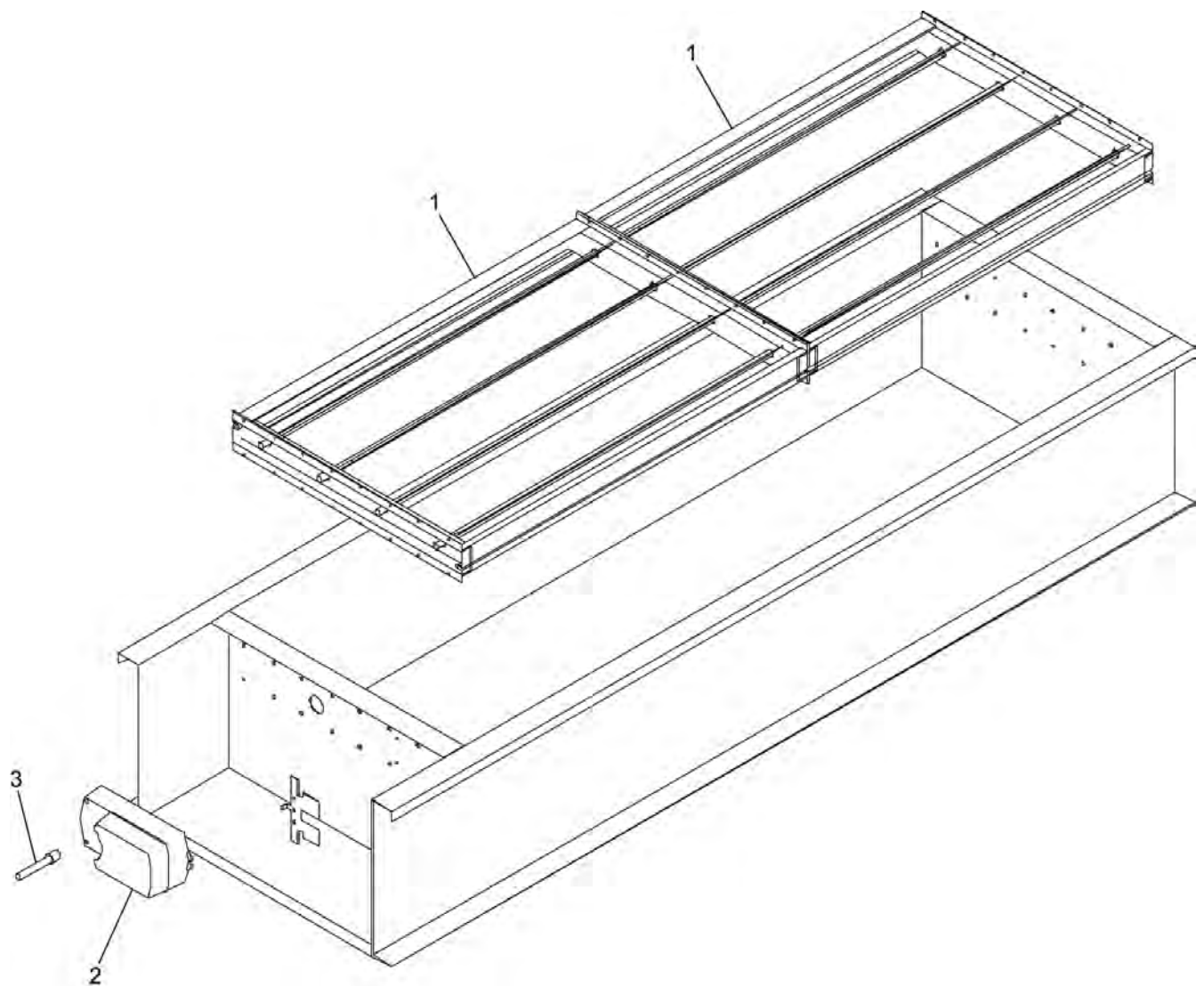
TABLE 61 - FLEXSYS BYPASS DAMPERS AND ACTUATORS

FIG	ITEM	UNIT SIZE	DESCRIPTION	PART NUMBER
37	1	50-65	CONTROL DAMPER, 36" X 24"	026-36432-001
37	1	70-85	CONTROL DAMPER, 36" X 30"	026-36432-002
37	1	90-105	CONTROL DAMPER, 36" X 36"	026-36432-003
*		50-105	DAMPER COUPLING KIT ¹	026-36391-005
37	2		ACTUATOR, JCI	025-35774-016
37	2		ACTUATOR, BELIMO	025-30958-009
37	3		BLADE PIN EXTENSION	026-36428-000

Notes:

* Item NOT shown.

¹Damper coupling kit is required whenever replacement dampers are ordered.

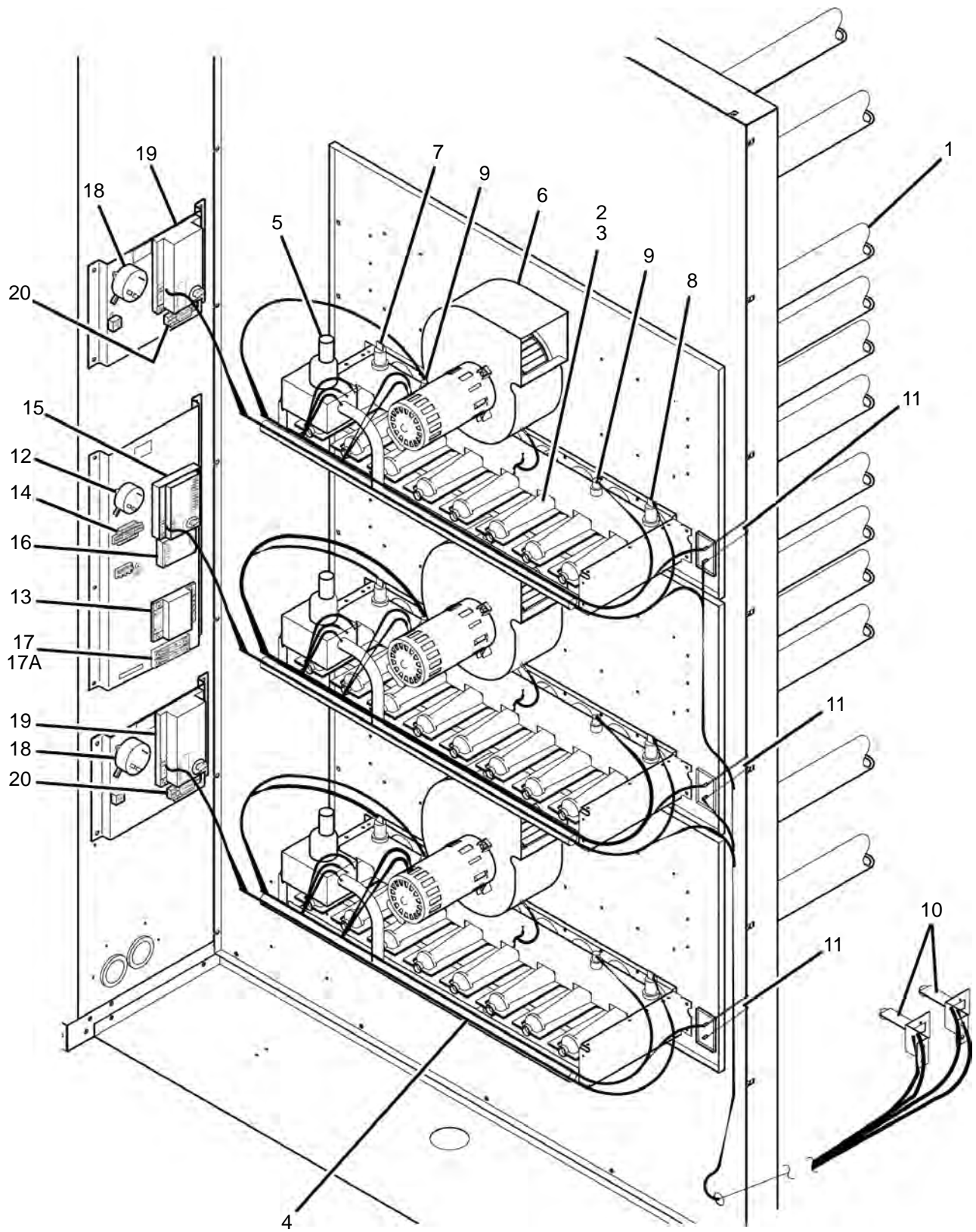


LD11860

FIG. 37 - FLEXSYS BYPASS DAMPERS AND ACTUATORS

TABLE 62 - STAGED GAS HEAT

FIG	ITEM	DESCRIPTION	PART NUMBER
38	1	HEAT EXCHANGER ASSY, ALUMINIZED STEEL	026-36442-000
38	1	HEAT EXCHANGER ASSY, STAINLESS STEEL	026-36441-000
38	2	BURNER, NATURAL GAS	026-36440-000
38	2	BURNER, PROPANE	026-40812-000
38	3	ORIFICE, NATURAL GAS	023-20077-000
38	3	ORIFICE, PROPANE	023-21664-000
38	4	MANIFOLD	029-22038-000
38	NOT SHOWN	PROPANE CONVERSION KIT (375 BTU)	385-10866-001
38	NOT SHOWN	PROPANE CONVERSION KIT (750 BTU)	385-10866-002
38	NOT SHOWN	PROPANE CONVERSION KIT (1125 BTU)	385-10866-003
38	5	385-01866-001GAS VALVE	026-36402-000
38	6	COMBUSTION BLOWER MOTOR/FAN	026-36401-000
38	7	FLAME SENSOR	025-36314-000
38	8	SPARK IGNITOR	025-36313-000
38	9	ROLL-OUT SWITCH	025-36315-000
38	10	HIGH TEMP LIMIT SWITCH, 150° F	025-37507-001
38	11	HIGH TEMP LIMIT SWITCH, 140° F	025-36312-000
38	12	SWITCH, PRESSURE, -1.35" ON PRESSURE FALL	025-36379-001
38	13	TRANSFORMER, 110VA	025-40804-000
38	14	RELAY, MINIATURE	025-39357-000
38	15	IGNITION CONTROL	025-37648-000
38	16	DIGITAL INPUT, MULTIPLEXOR	025-36448-000
38	17	FUSEBLOCK, 2P, 30A	025-34427-000
38	17A	FUSE, 2A	025-38309-000
38	18	SWITCH, PRESSURE, -1.35" ON PRESSURE FALL	025-36379-001
38	19	IGNITION CONTROL	025-37648-000
38	20	RELAY, MINIATURE	024-25986-100

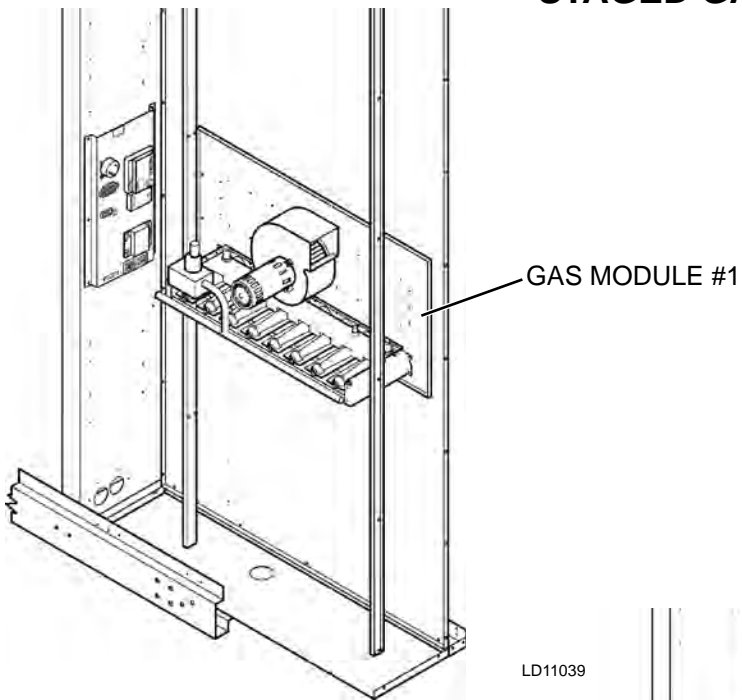


Notes:
Triple Burner Assembly shown.

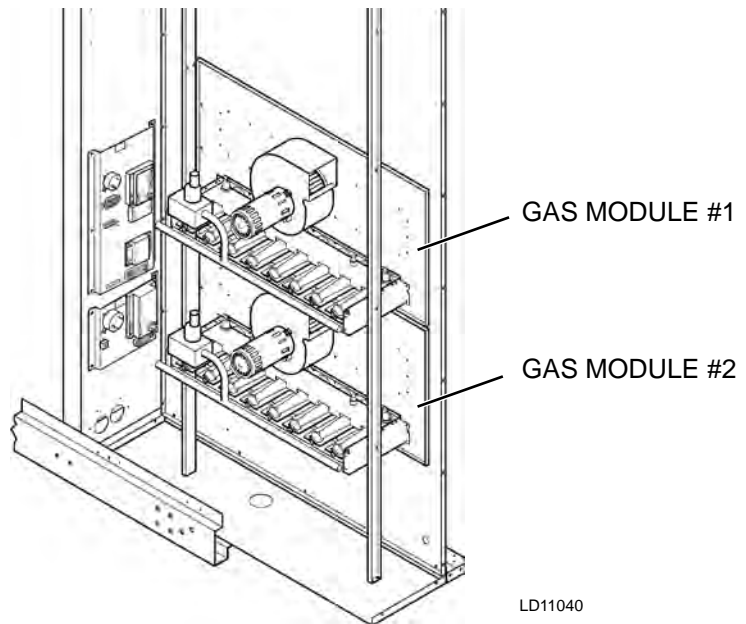
LD11042

FIG. 38 - STAGED GAS HEAT

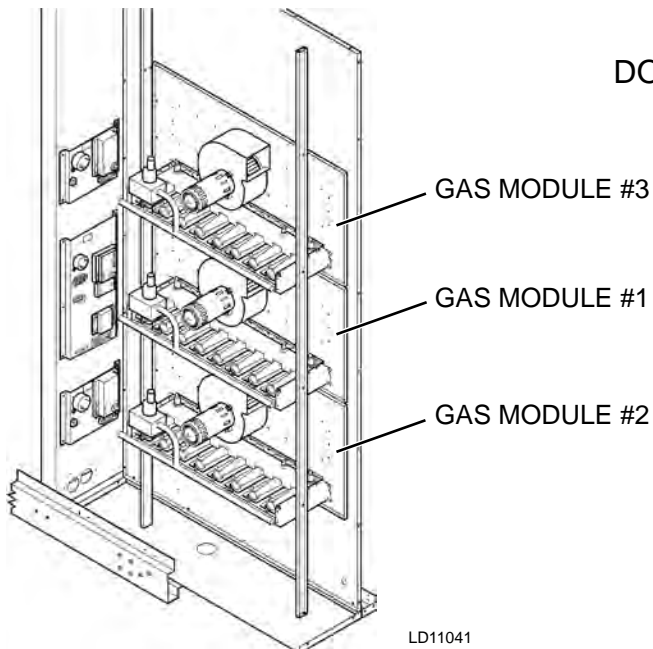
STAGED GAS HEAT



SINGLE BURNER ASSEMBLY

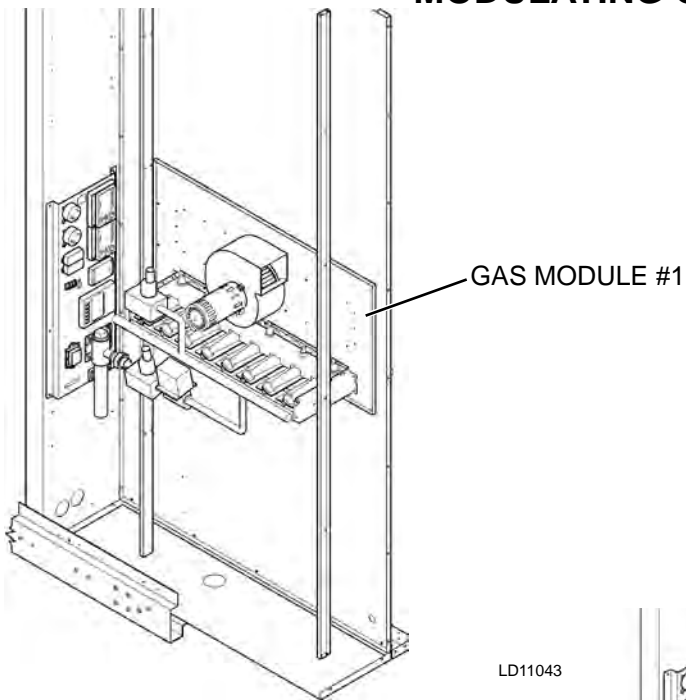


DOUBLE BURNER ASSEMBLY



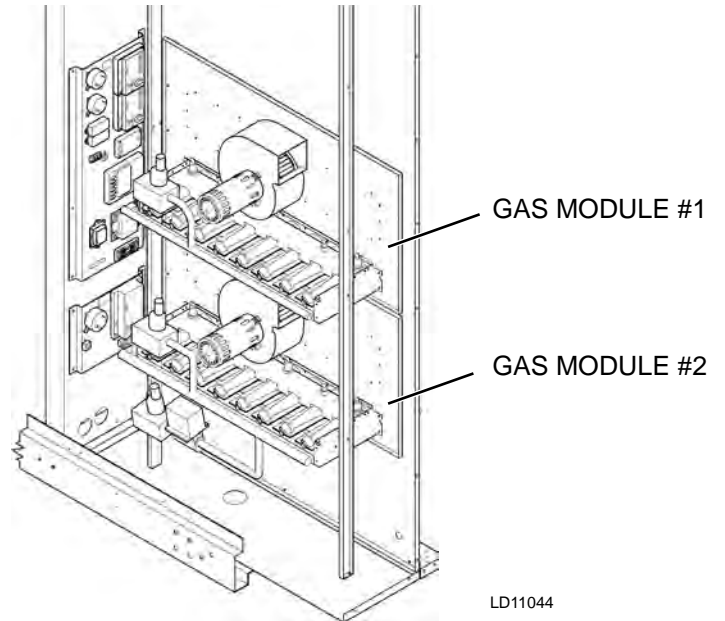
TRIPLE BURNER ASSEMBLY

MODULATING GAS HEAT



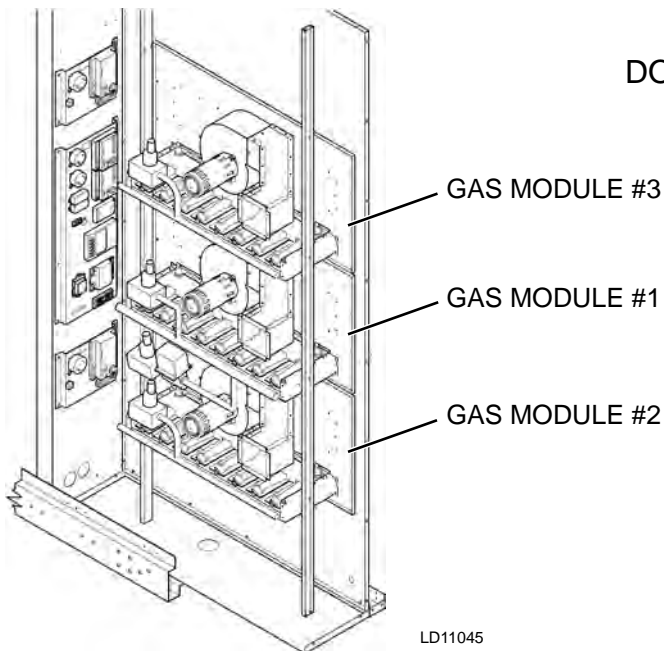
SINGLE BURNER ASSEMBLY

LD11043



DOUBLE BURNER ASSEMBLY

LD11044

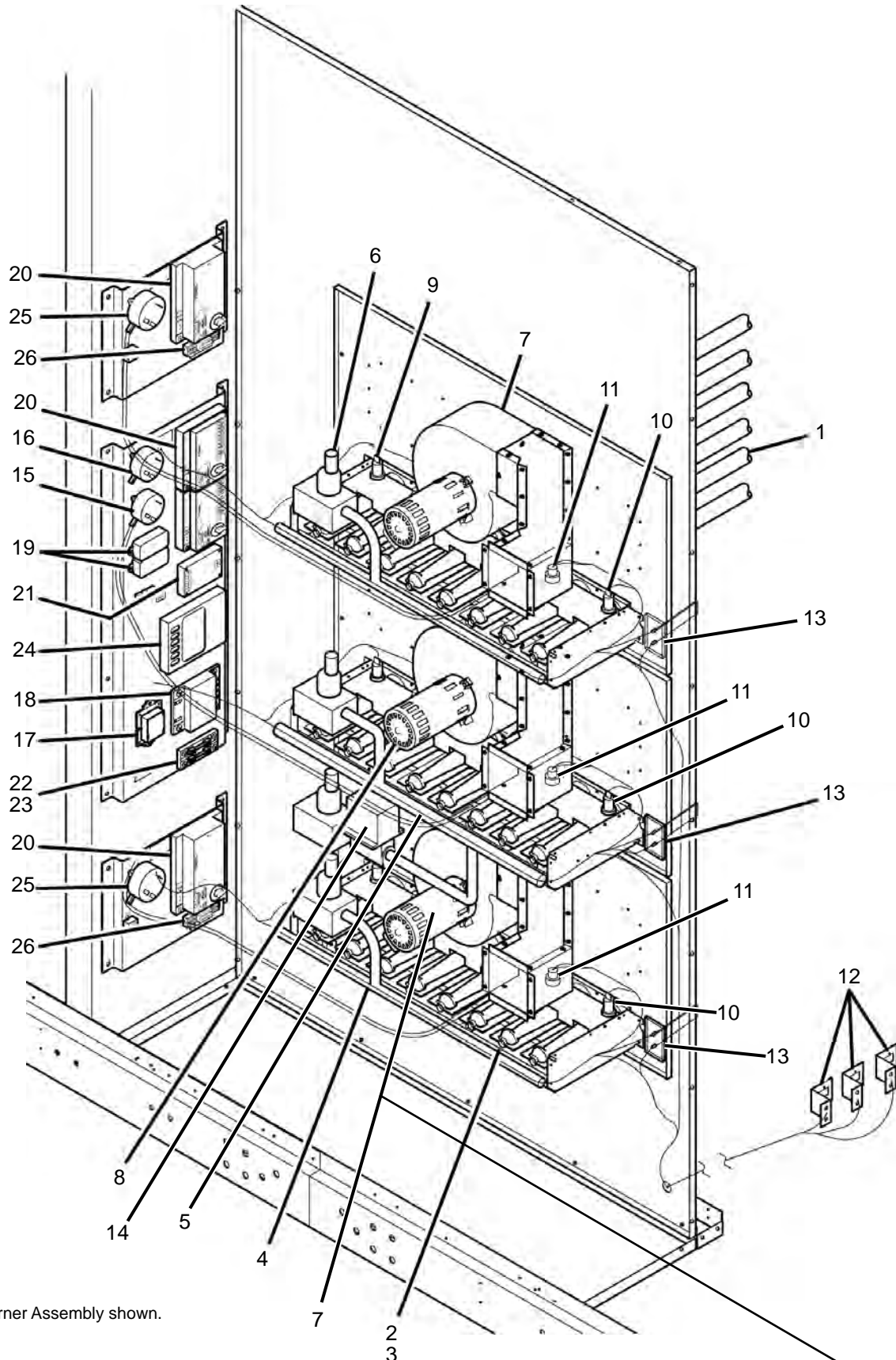


TRIPLE BURNER ASSEMBLY

LD11045

TABLE 63 - MODULATING GAS HEAT

FIG	ITEM	DESCRIPTION	PART NUMBER
39	1	HEAT EXCHANGER ASSY, STAINLESS STEEL	026-36441-000
39	1	HEAT EXCHANGER ASSY ALUMINIZED STEEL	026-36442-000
39	2	BURNER NATURAL GAS	026-36440-000
39	3	ORIFICE, NATURAL GAS	023-20077-000
39	4	MANIFOLD, STAGED HEAT SECTION	029-22038-000
39	5	MANIFOLD MODULATING HEAT SECTION	029-22038-001
39	6	GAS VALVE	026-36402 000
39	7	COMBUSTION BLOWER STAGED HEAT SECTION	026-36401-000
39	8	COMBUSTION BLOWER MODULATING HEAT SECTION	026-36401-100
39	9	FLAME SENSOR	025-36314-000
39	10	SPARK IGNITOR	025-36313-000
39	11	ROLL OUT SWITCH	025-36315-000
39	12	HIGH TEMP LIMIT SWITCH, 150 F	025-37507-001
39	13	HIGH TEMP LIMIT SWITCH 140 F	025-36312-000
39	14	MODULATING GAS VALVE	026-40654-000
39	15	SWITCH, PRESSURE, -0.25" ON PRESSURE FALL	025-36379-003
39	16	SWITCH, PRESSURE, -1.5" ON PRESSURE RISE	025-36379-002
39	17	TRANSFORMER, CL-2	024-34331-000
39	18	TRANSFORMER, 100VA	025-40804-000
39	19	RELAY, 24VAC, DPDT	024-33137-000
39	20	IGNITION CONTROL	025-37648-000
39	21	DIGITAL INPUT, MULTIPLEXOR	025-36448-000
39	22	FUSEBLOCK, 2P, 30A	025-34427-000
39	23	FUSE, 2A	025-38309-000
39	24	SIGNAL CONDITIONER	025-36378-000
39	25	SWITCH PRESSURE, -1.35" ON PRESSURE FALL	025-36379-001
39	26	RELAY, MINITURE	025-25986-000



Notes:
Triple Burner Assembly shown.

LD11048

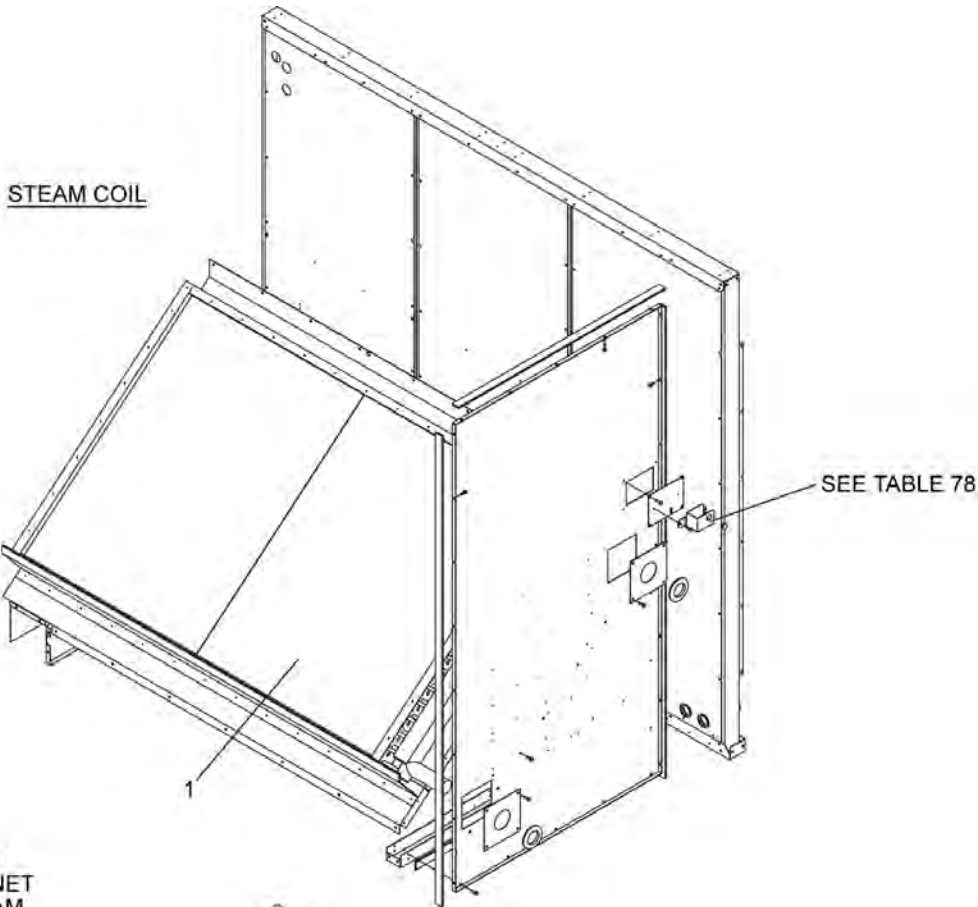
FIG. 39 - MODULATING GAS HEAT

TABLE 64 - HOT WATER HEAT COILS (STANDARD CABINET)

FIG	ITEM	UNIT SIZE	TUBES HIGH	ROWS DEEP	FINS PER INCH	PART NUMBER
40	2	50-65	34	2	8	026-36434-100
40	2				10	026-36434-101
40	2				12	026-36434-102
40	2				14	026-36434-103
40	2				11	026-36434-104
40	2	70-85	36	2	8	026-36434-200
40	2				10	026-36434-201
40	2				12	026-36434-202
40	2				14	026-36434-203
40	2	90-95	42	2	8	026-36434-300
40	2				10	026-36434-301
40	2				12	026-36434-302
40	2				14	026-36434-303

TABLE 65 - STEAM HEAT COILS (STANDARD CABINET)

FIG	ITEM	UNIT SIZE	TUBES HIGH	ROWS DEEP	FINS PER INCH	PART NUMBER
40	1	50-65	14	1	6	026-36433-100
40	1				8	026-36433-101
40	1				10	026-36433-102
40	1	70-85	15	1	6	026-36433-200
40	1				8	026-36433-201
40	1				10	026-36433-202
40	1	90-95	17	1	6	026-36433-300
40	1				8	026-36433-301
40	1				10	026-36433-302



NOTE: SEE FIGURE 59 FOR EXTENDED CABINET HOT WATER AND STEAM HEAT COILS.

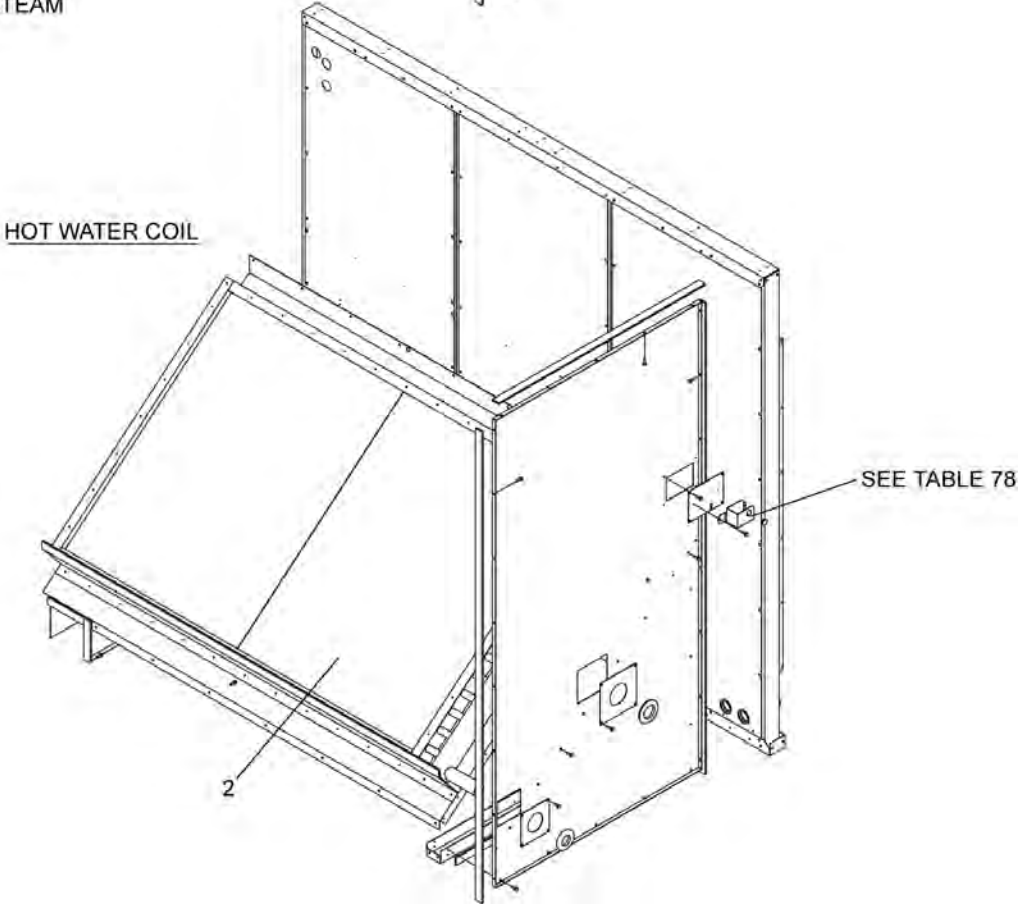
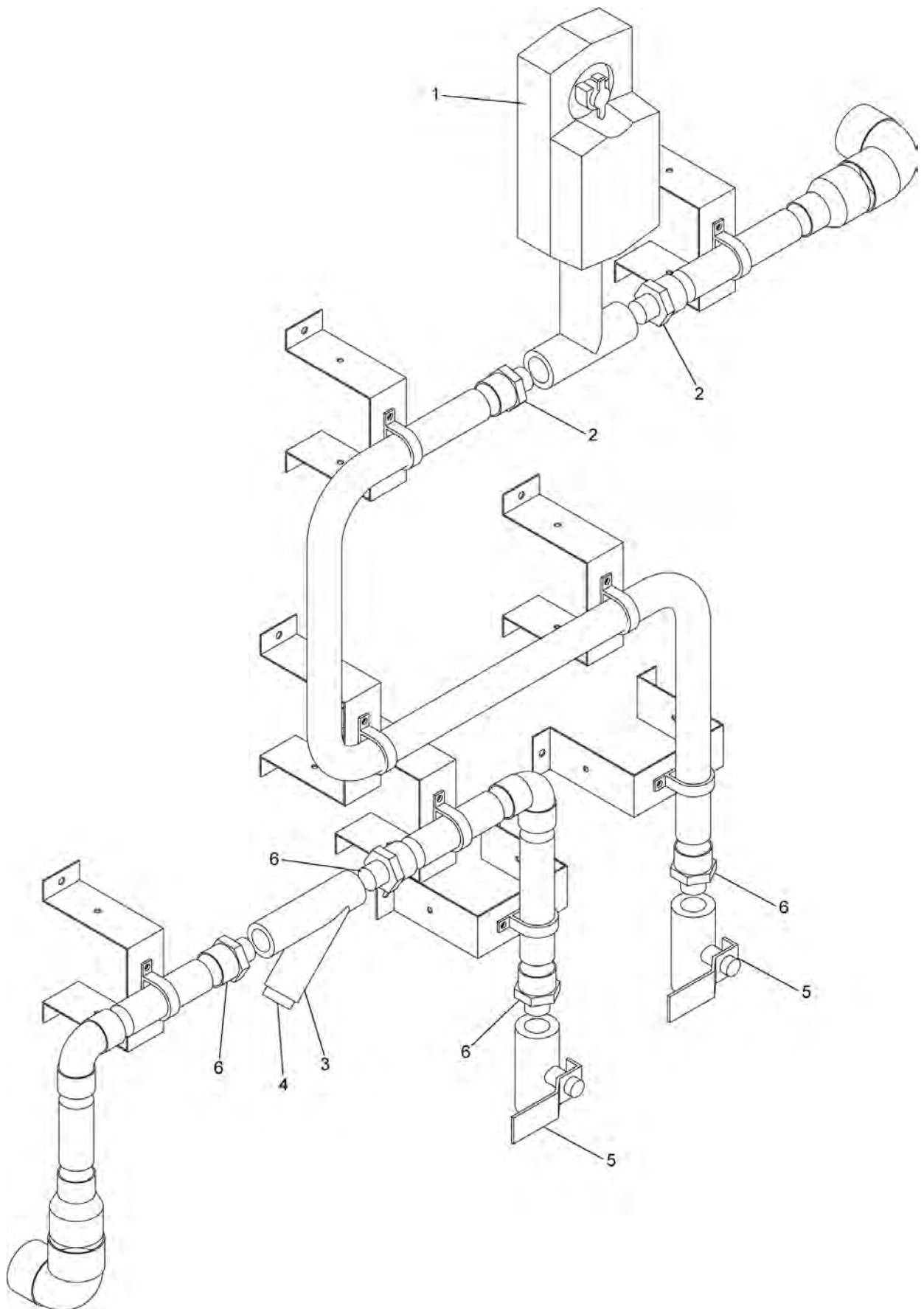


FIG. 40 - HOT WATER AND STEAM HEAT COILS (STANDARD CABINET)

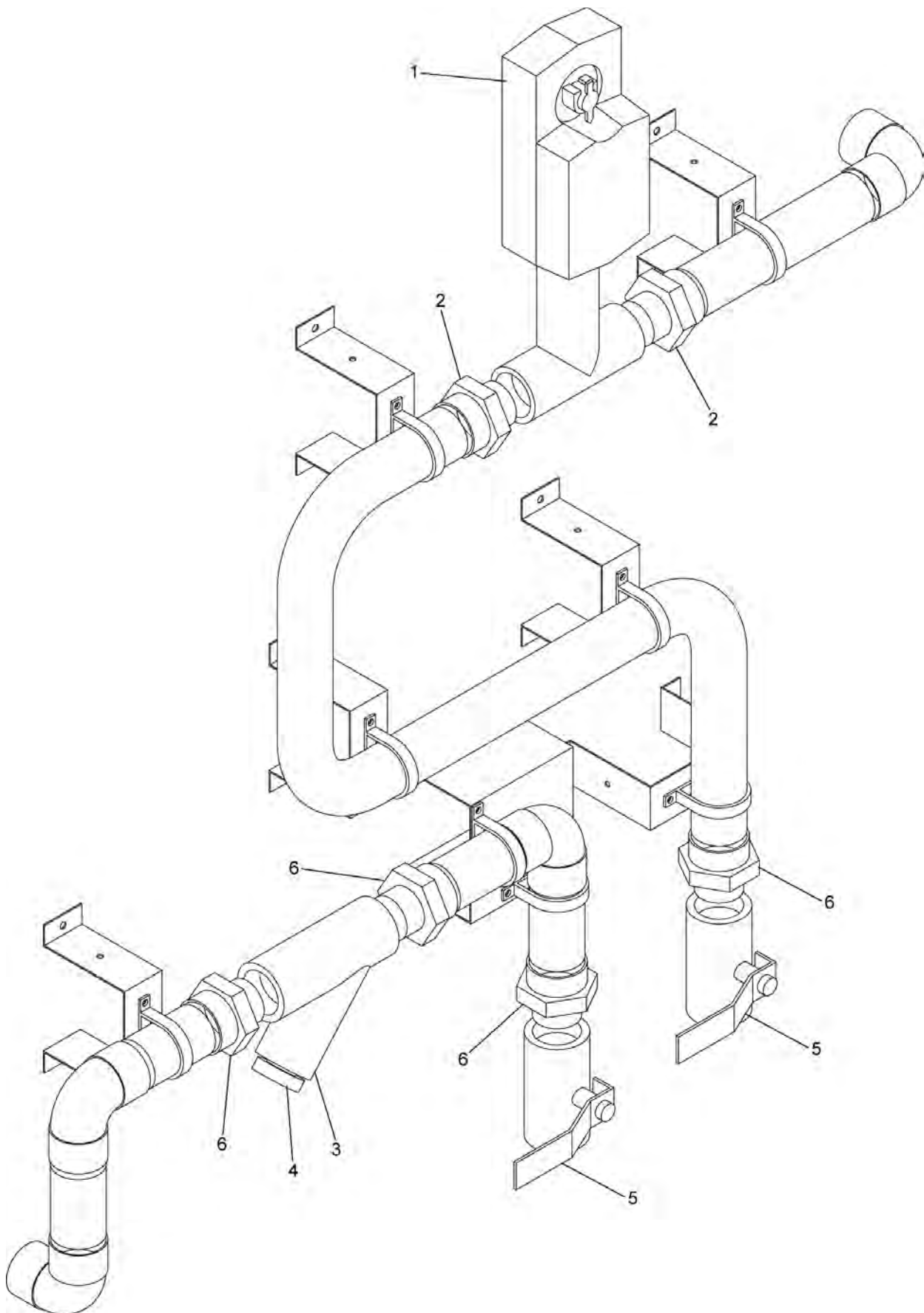
TABLE 66 - HOT WATER HEAT PIPING PARTS (STANDARD CABINET)

FIG	ITEM	VALVE SIZE	DESCRIPTION	PART NUMBER
41	1	0.75	2-WAY VALVE	025-35809-214
41	1	1.00	2-WAY VALVE	025-35809-215
41	1	1.25	2-WAY VALVE	025-35809-216
42	1	1.50	2-WAY VALVE	025-35809-217
42	1	2.00	2-WAY VALVE	025-35809-218
43	1	0.75	3-WAY VALVE	025-35809-354
43	1	1.00	3-WAY VALVE	025-35809-355
43	1	1.25	3-WAY VALVE	025-35809-356
44	1	1.50	3-WAY VALVE	025-35809-357
44	1	2.00	3-WAY VALVE	025-35809-358
41, 43	2	0.75	ADAPTERS FOR 2- AND 3-WAY VALVE	023-20068-000
41, 43	2	1.00	ADAPTERS FOR 2- AND 3-WAY VALVE	023-20067-000
41, 43	2	1.25	ADAPTERS FOR 2- AND 3-WAY VALVE	023-00131-000
42, 44	2	1.50	ADAPTERS FOR 2- AND 3-WAY VALVE	023-20066-000
42, 44	2	2.00	ADAPTERS FOR 2- AND 3-WAY VALVE	023-00145-000
41, 43	3	0.75, 1.00, 1.25	STRAINER	022-10505-000
42, 44	3	1.50, 2.00	STRAINER	022-10504-000
41, 43	4	0.75, 1.00, 1.25	PIPE PLUG FOR STRAINER	023-04053-000
42, 44	4	1.50, 2.00	PIPE PLUG FOR STRAINER	023-04019-000
41, 43	5	0.75, 1.00, 1.25	BALL VALVE	022-10507-000
42, 44	5	1.50, 2.00	BALL VALVE	022-10506-000
41, 43	6	0.75, 1.00, 1.25	ADAPTERS FOR BALL VALVES AND STRAINER	023-00131-000
42, 44	6	1.50, 2.00	ADAPTERS FOR BALL VALVES AND STRAINER	023-00145-000



LD11862

FIG. 41 - HOT WATER HEAT 2-WAY PIPING FOR 0.75, 1.00, AND 1.25 VALVES (STANDARD CABINET)



LD11863

FIG. 42 - HOT WATER HEAT 2-WAY PIPING FOR 1.50, AND 2.00 VALVES (STANDARD CABINET)

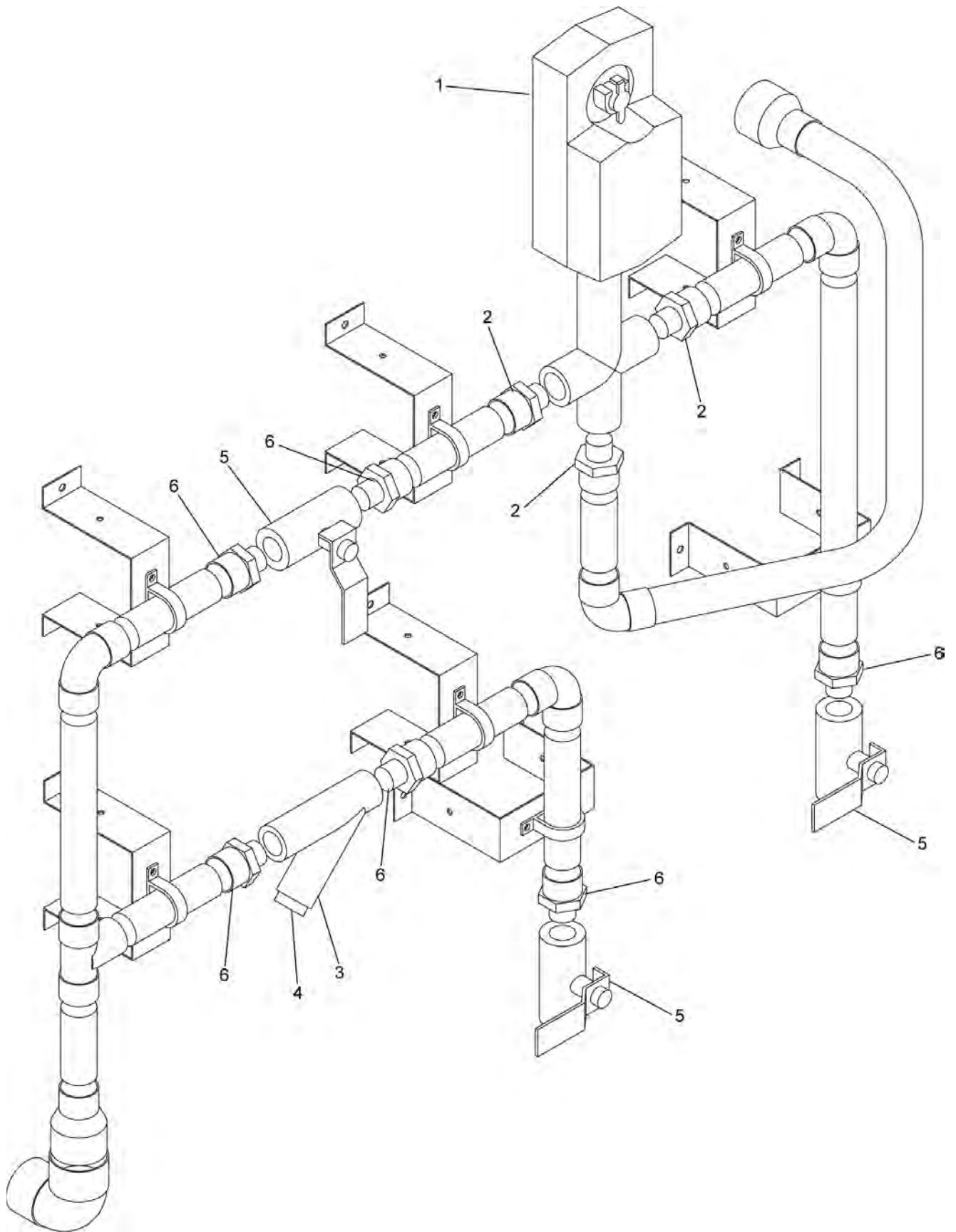


FIG. 43 - HOT WATER HEAT 3-WAY PIPING FOR 0.75, 1.00, AND 1.25 VALVES (STANDARD CABINET)

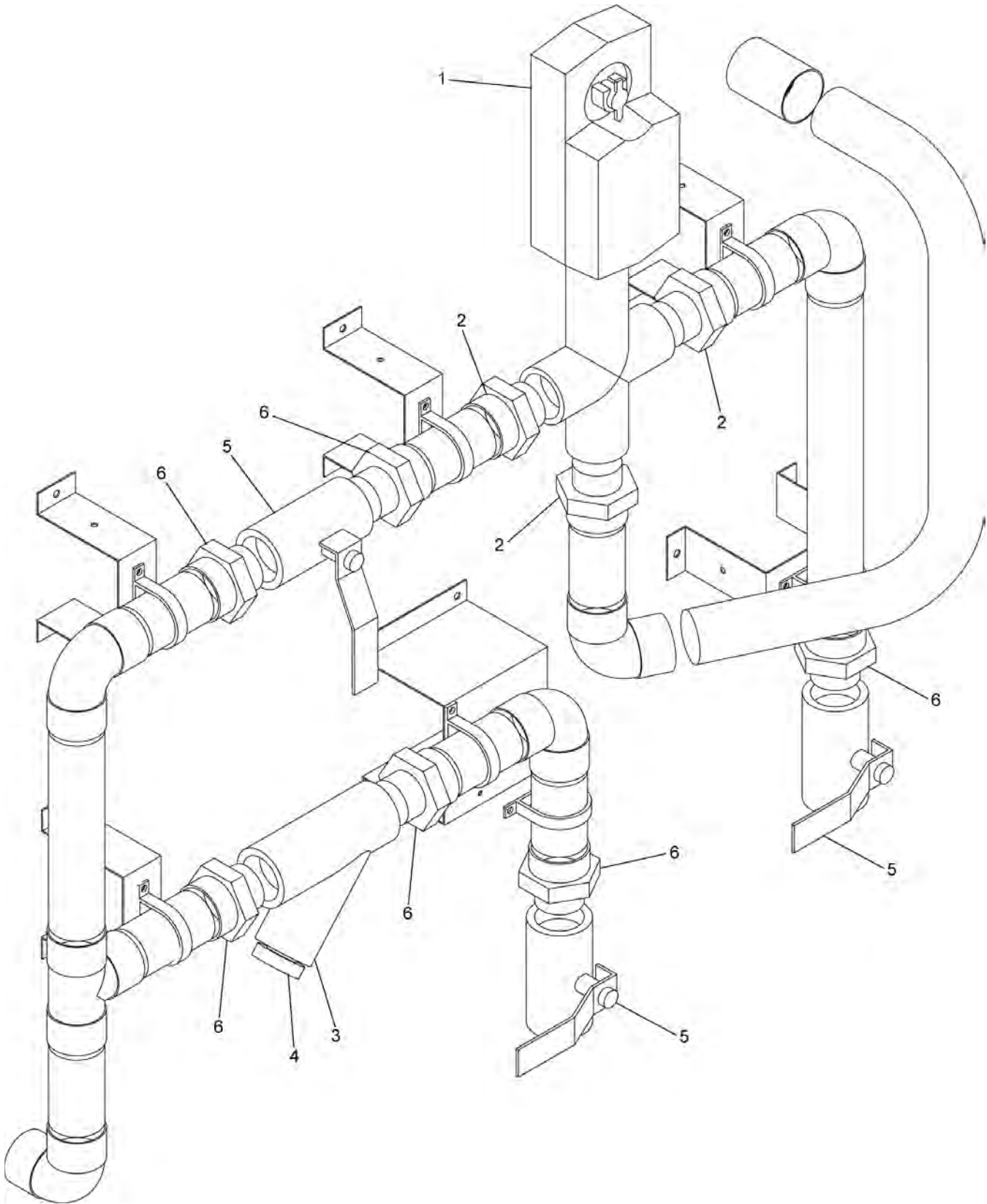


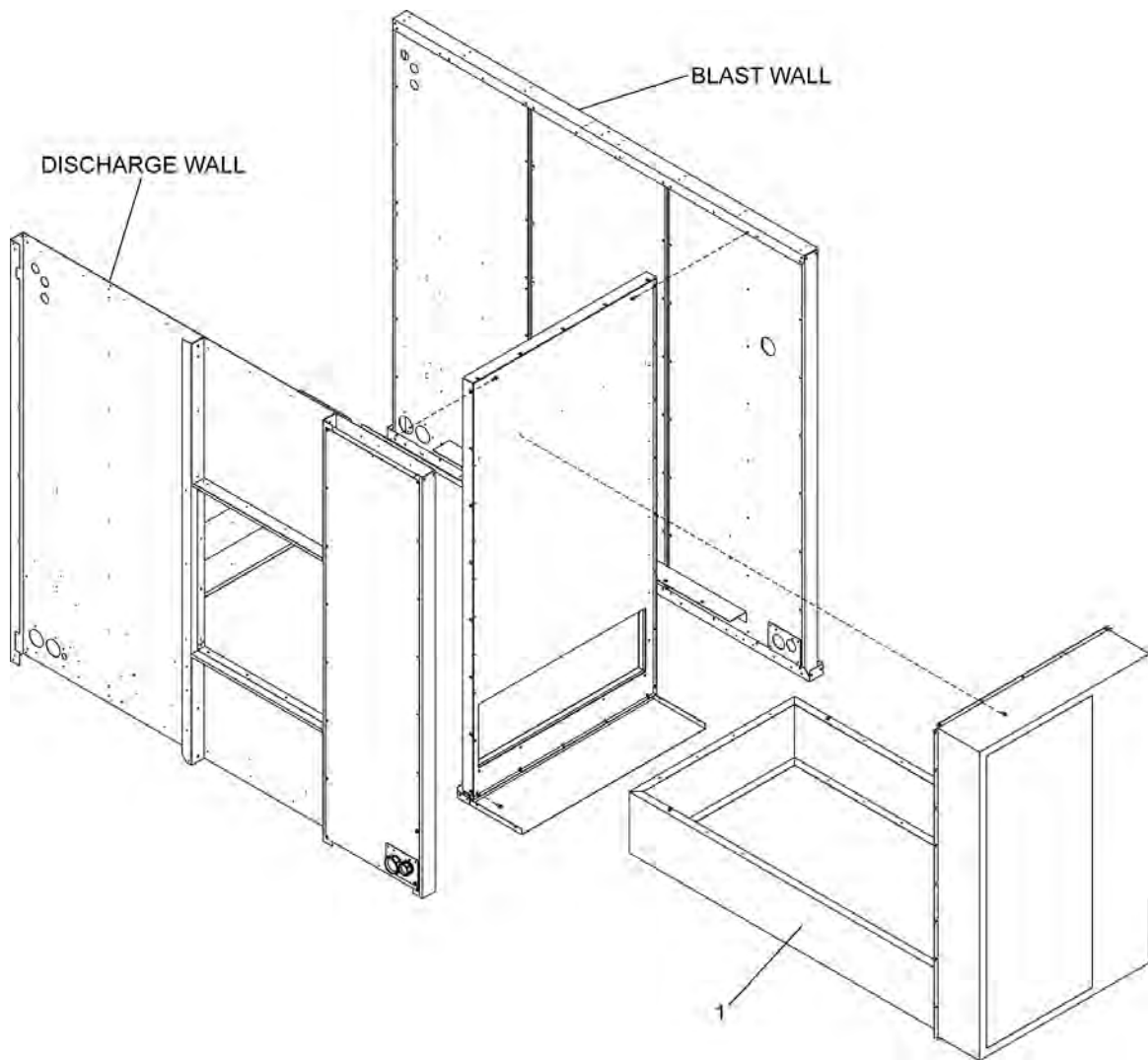
FIG. 44 - HOT WATER HEAT 3-WAY PIPING FOR 1.50, AND 2.00 VALVES (STANDARD CABINET)

TABLE 67 - ELECTRIC HEATER COILS

FIG	ITEM	UNIT SIZE	VOLTAGE	KILOWATTS	PART NUMBER
45	1	50-65	200	40	025-35720-101
45	1			80	025-35720-102
45	1			108	025-35720-103
45	1		230	40	025-35720-104
45	1			80	025-35720-105
45	1			108	025-35720-106
45	1		460	40	025-35720-117
45	1			80	025-35720-118
45	1			108	025-35720-119
45	1			150	025-35720-120
45	1		575	40	025-35720-123
45	1			80	025-35720-124
45	1			108	025-35720-125
45	1			150	025-35720-126
45	1		400	40	025-35720-112
45	1			80	025-35720-113
45	1			108	025-35720-114
45	1			150	025-35720-115
45	1		380	40	025-35720-107
45	1			80	025-35720-108
45	1	108		025-35720-109	
45	1	150		025-35720-110	
45	1	70-85	200	80	025-36252-102
45	1			108	025-36252-103
45	1		230	80	025-36252-105
45	1			108	025-36252-106
45	1		460	80	025-36252-118
45	1			108	025-36252-119
45	1			150	025-36252-120
45	1			200	025-36252-121
45	1		575	80	025-36252-124
45	1			108	025-36252-125
45	1			150	025-36252-126
45	1			200	025-36252-127
45	1		400	80	025-36252-113
45	1			108	025-36252-114
45	1			150	025-36252-115
45	1			200	025-36252-116
45	1		380	80	025-36252-108
45	1			108	025-36252-109
45	1			150	025-36252-110
45	1			200	025-36252-111

TABLE 67 - ELECTRIC HEATER COILS (CONT'D)

FIG	ITEM	UNIT SIZE	VOLTAGE	KILOWATTS	PART NUMBER
45	1	90-105	200	108	025-36253-103
45	1		230	108	025-36253-106
45	1		460	108	025-36253-119
45	1			150	025-36253-120
45	1			200	025-36253-121
45	1			250	025-36253-122
45	1	90-105	575	108	025-36253-125
45	1			150	025-36253-126
45	1			200	025-36253-127
45	1			250	025-36253-128
45	1		400	108	025-36253-114
45	1			150	025-36253-115
45	1			200	025-36253-116
45	1		380	108	025-36253-109
45	1			150	025-36253-110
45	1			200	025-36253-111

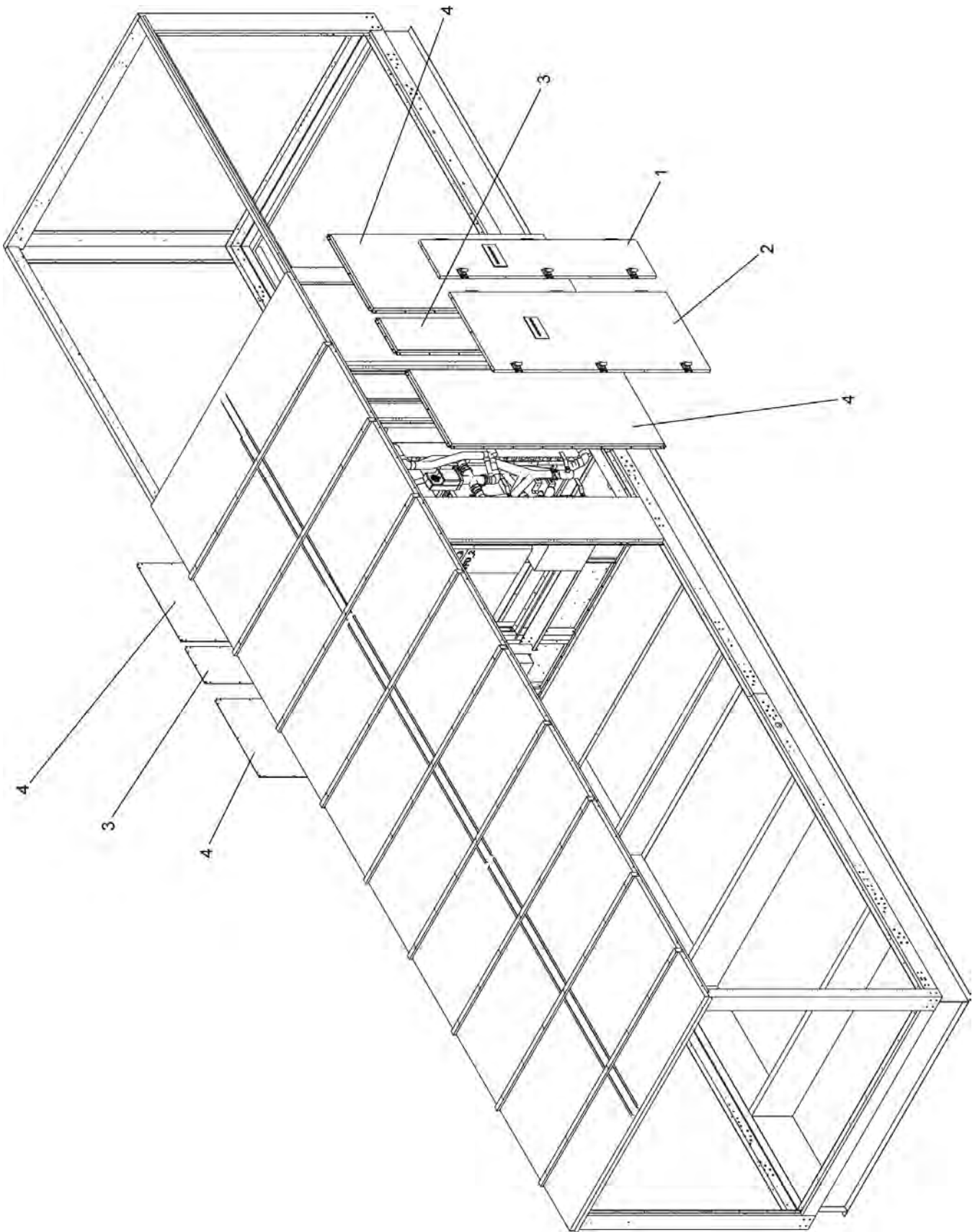


LD11866

FIG. 45 - ELECTRIC HEATER COILS

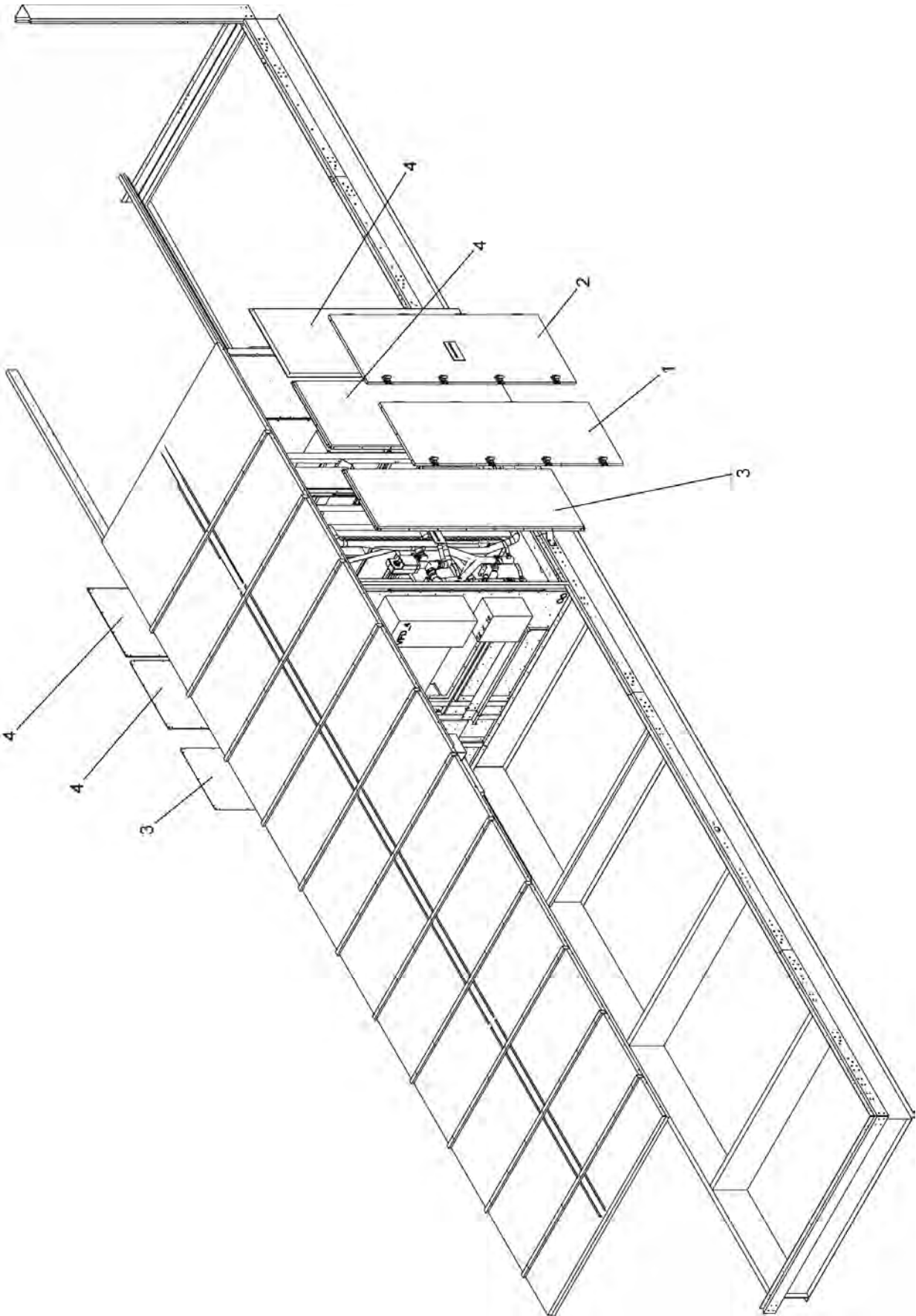
TABLE 68 - DOOR AND SIDE PANEL ASSEMBLIES (EXTENDED CABINET)

FIG	ITEM	UNIT SIZE	DESCRIPTION	PART NUMBER
46	1	50-65	DOOR ASSEMBLY, 12.875" X 82"	385-00429-110
46	2		DOOR ASSEMBLY, 29.313" X 82"	385-00429-111
46	3		SIDE PANEL ASSEMBLY, 12.875" X 82"	385-00431-121
46	4		SIDE PANEL ASSEMBLY, 29.313" X 82"	385-00431-122
47	1	70-85	DOOR ASSEMBLY, 27" X 92"	385-00429-107
47	2		DOOR ASSEMBLY, 29.86" X 92"	385-00429-108
47	3		SIDE PANEL ASSEMBLY, 27" X 92"	385-00431-110
47	4		SIDE PANEL ASSEMBLY, 29.86" X 92"	385-00431-117
48	1	90-105	DOOR ASSEMBLY, 22" X 92"	385-00429-105
48	2		DOOR ASSEMBLY, 32.76" X 92"	385-00429-109
48	3		SIDE PANEL ASSEMBLY, 21.375" X 92"	385-00431-107
48	4		SIDE PANEL ASSEMBLY, 22" X 92"	385-00431-118
48	5		SIDE PANEL ASSEMBLY, 32.76" X 92"	385-00431-119
48	6		SIDE PANEL ASSEMBLY, 36.75" X 92"	385-00431-120



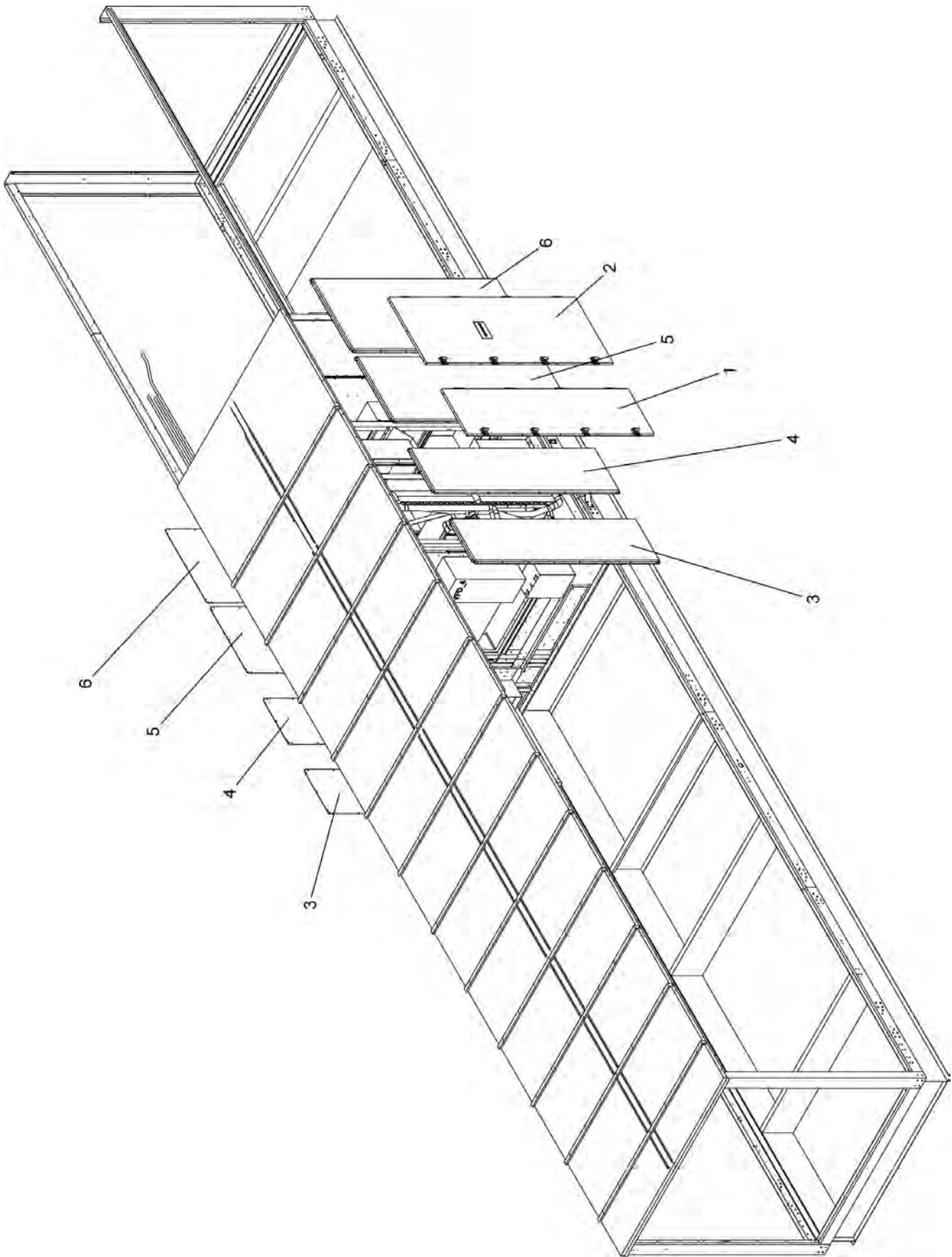
LD11867

FIG. 46 - DOOR AND SIDE PANEL ASSEMBLIES (50-65 TON) (EXTENDED CABINET)



LD11868

FIG. 47 - DOOR AND SIDE PANEL ASSEMBLIES (70-85 TON) (EXTENDED CABINET)

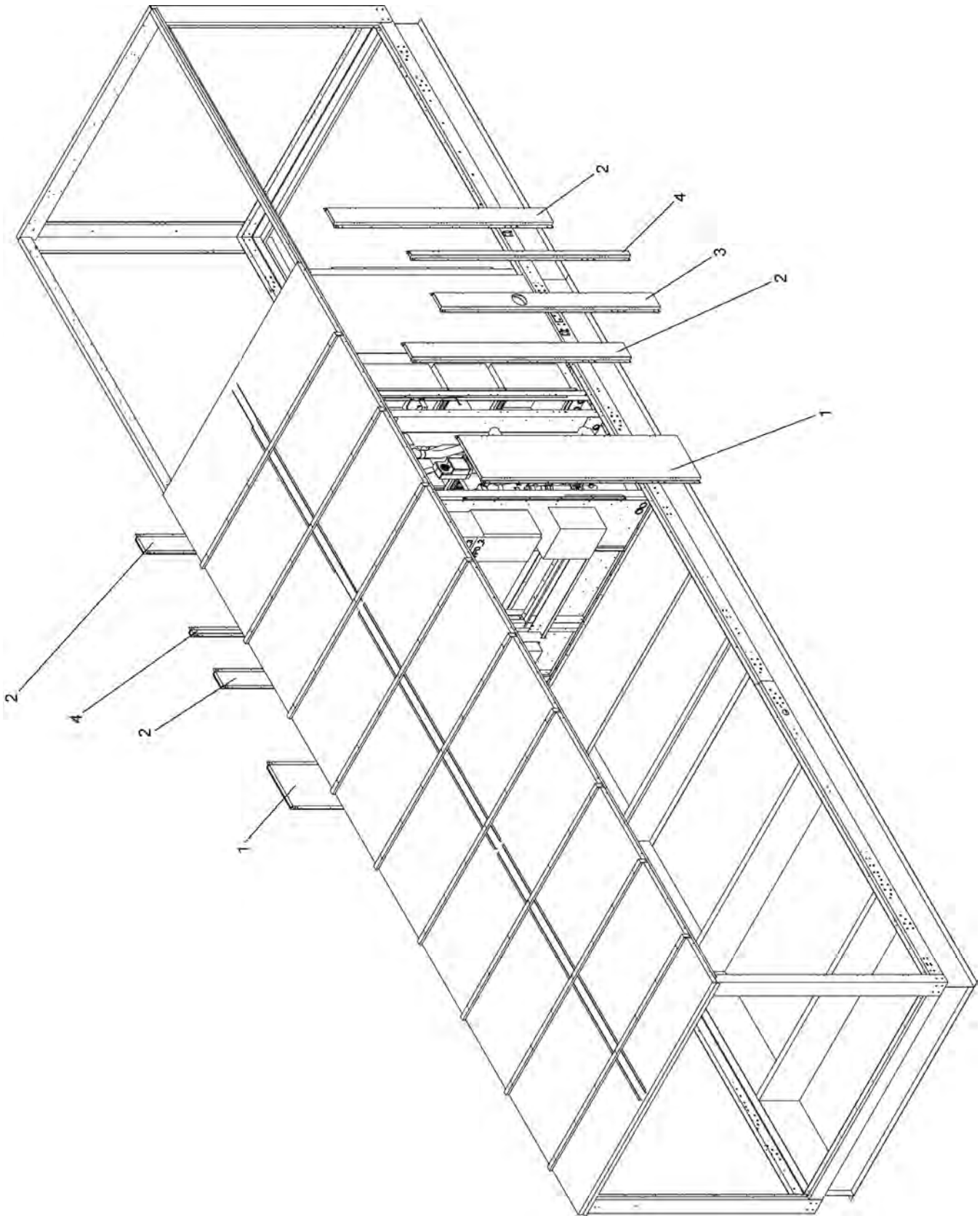


LD11869

FIG. 48 - DOOR AND SIDE PANEL ASSEMBLIES (90-105 TON) (EXTENDED CABINET)

TABLE 69 - EXTERIOR UPRIGHT ASSEMBLIES (EXTENDED CABINET)

FIG	ITEM	UNIT SIZE	DESCRIPTION	PART NUMBER
49	1	50-65	EXTERIOR UPRIGHT ASSEMBLY, 18.75" X 73.87"	385-00434-102
49	2		EXTERIOR UPRIGHT ASSEMBLY, 7.75" X 73.87"	385-00434-313
49	3		EXTERIOR UPRIGHT ASSEMBLY, FILTER SECTION, 7.75" X 73.87"	385-00434-314
49	4		EXTERIOR UPRIGHT ASSEMBLY, 3.75" X 73.87"	385-00434-315
50	1	70-85	EXTERIOR UPRIGHT ASSEMBLY, 3.75" X 83.87"	385-00434-302
50	2		EXTERIOR UPRIGHT ASSEMBLY, 16.64" X 83.87"	385-00434-306
50	3		EXTERIOR UPRIGHT ASSEMBLY, 11" X 83.87"	385-00434-309
50	4		EXTERIOR UPRIGHT ASSEMBLY, FILTER SECTION, 11" X 83.87"	385-00434-310
51	1	90-105	EXTERIOR UPRIGHT ASSEMBLY, 3.75" X 83.87"	385-00434-302
51	2		EXTERIOR UPRIGHT ASSEMBLY, 11" X 83.87"	385-00434-309
51	3		EXTERIOR UPRIGHT ASSEMBLY, 14.875" X 83.87"	385-00434-311
51	4		EXTERIOR UPRIGHT ASSEMBLY, FILTER SECTION, 14.875" X 83.87"	385-00434-312



LD11870

FIG. 49 - EXTERIOR UPRIGHT ASSEMBLIES (50-65 TON) (EXTENDED CABINET)

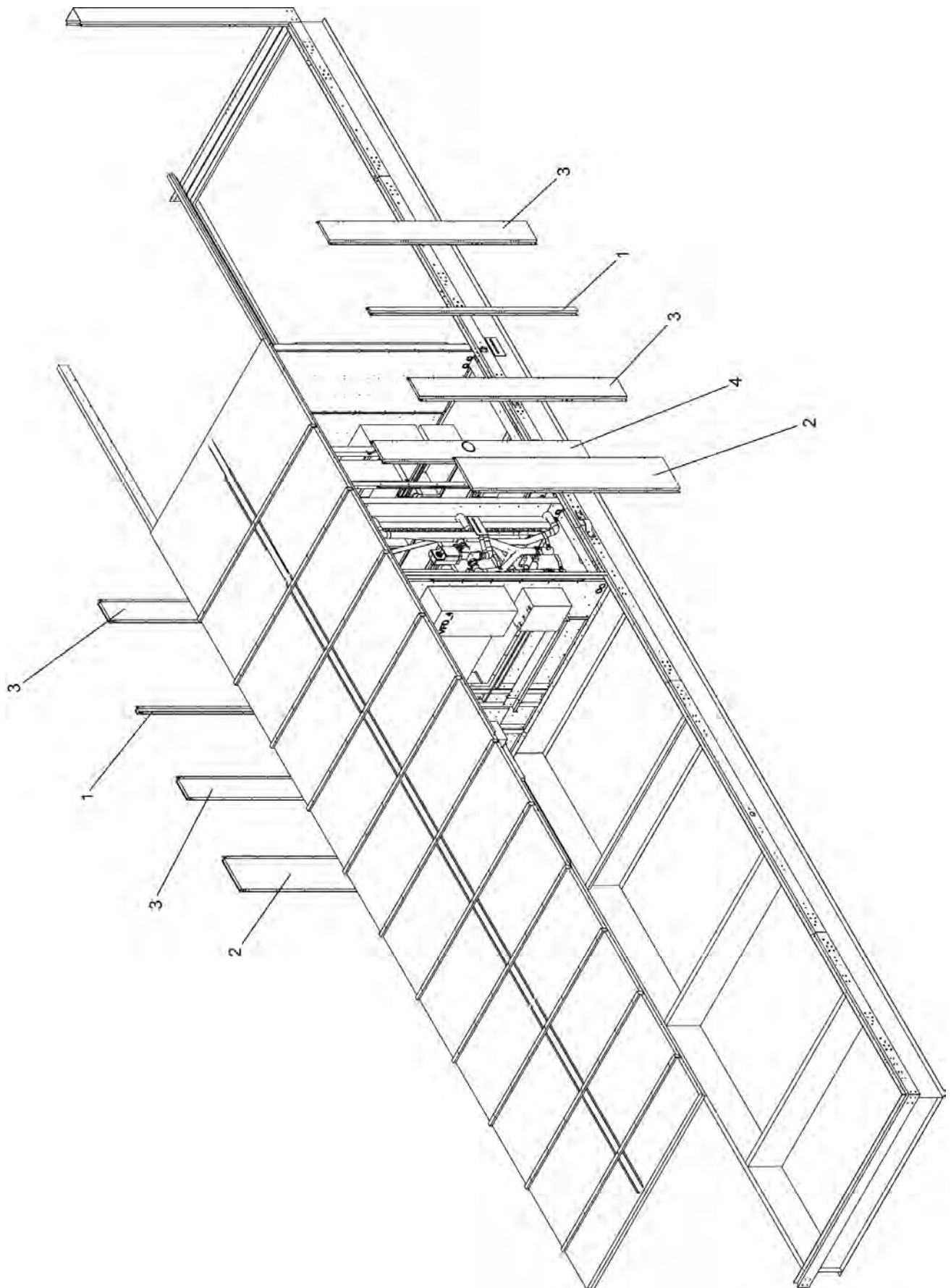
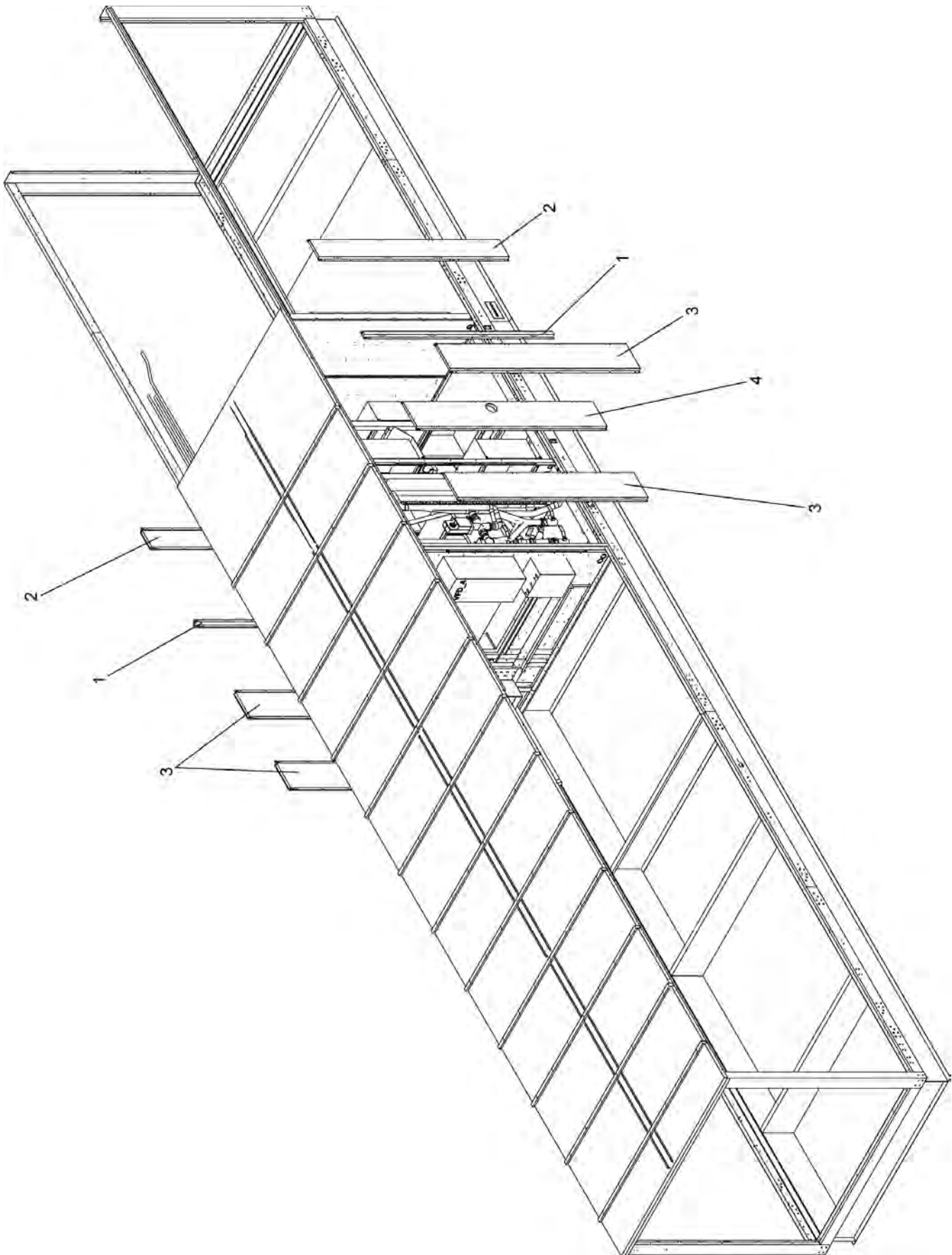


FIG. 50 - EXTERIOR UPRIGHT ASSEMBLIES (70-85 TON) (EXTENDED CABINET)

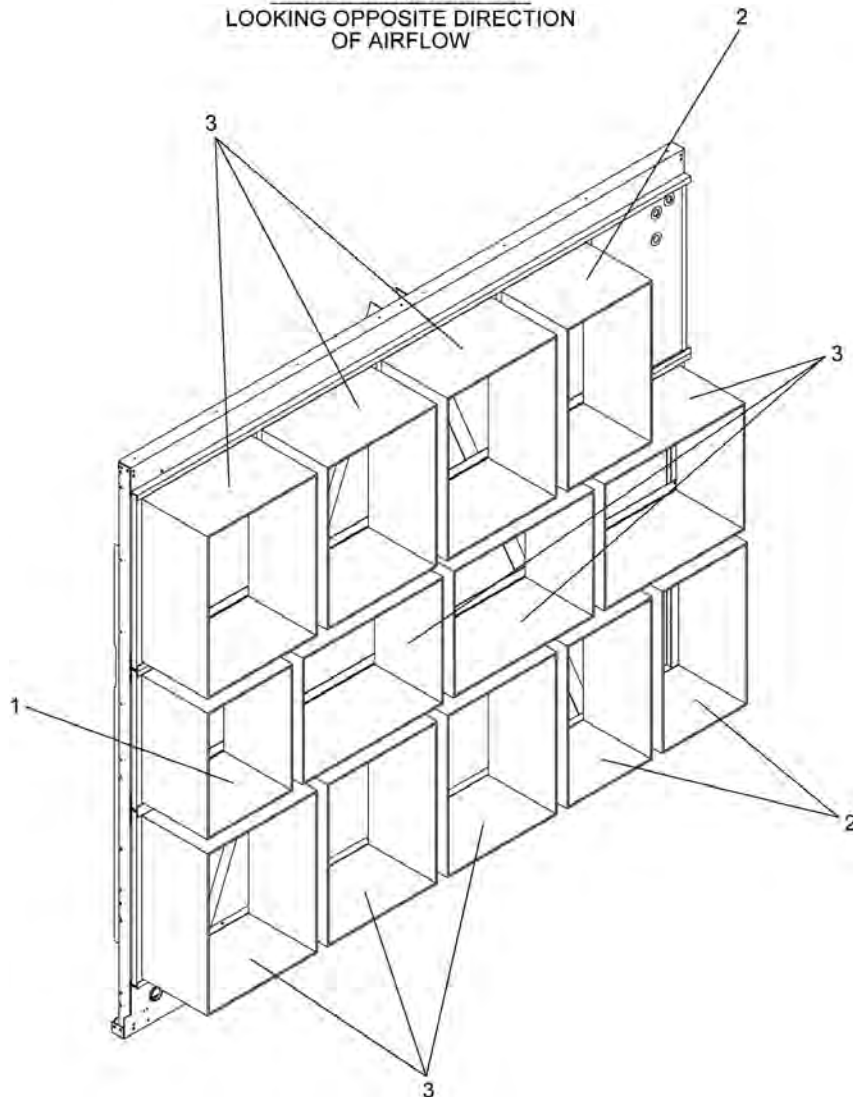
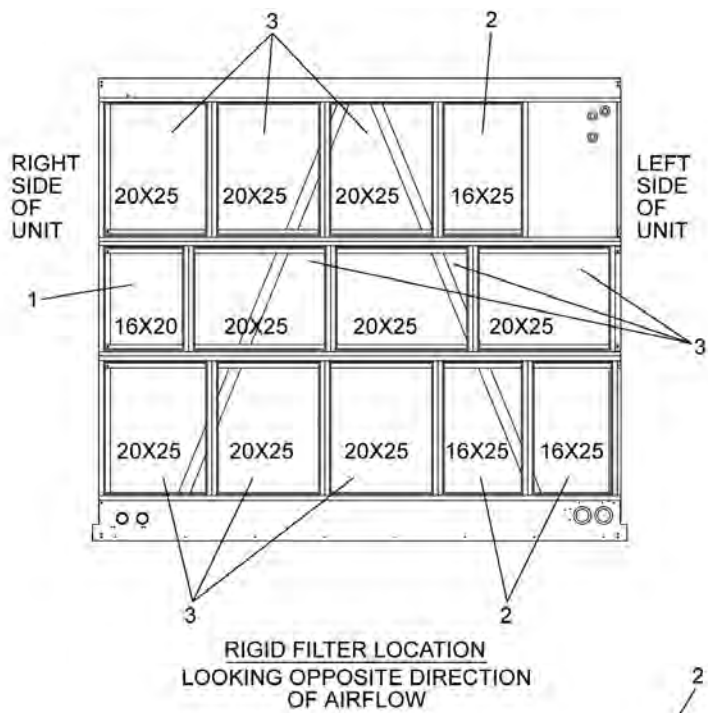


LD11872

FIG. 51 - EXTERIOR UPRIGHT ASSEMBLIES (90-105 TON) (EXTENDED CABINET)

TABLE 70 - FILTERS, RIGID (EXTENDED CABINET)

FIG	ITEM	UNIT SIZE	TYPE	SIZE	PART NUMBER	QUANTITY
52	1	50-65	12" 90-95% EFFICIENT	16" X 20"	026-36342-009	1
52	2			16" X 25"	026-36342-010	3
52	3			20" X 25"	026-36380-000	9
53	1	70-85	12" 90-95% EFFICIENT	16" X 20"	026-36342-009	2
53	2			16" X 25"	026-36342-010	7
53	3			20" X 25"	026-36380-000	9
54	1	90-105	12" 90-95% EFFICIENT	16" X 25"	026-36342-010	7
54	2			20" X 25"	026-36380-000	12



LD11873

FIG. 52 - FILTER, RIGID (50-65 TON) (EXTENDED CABINET)

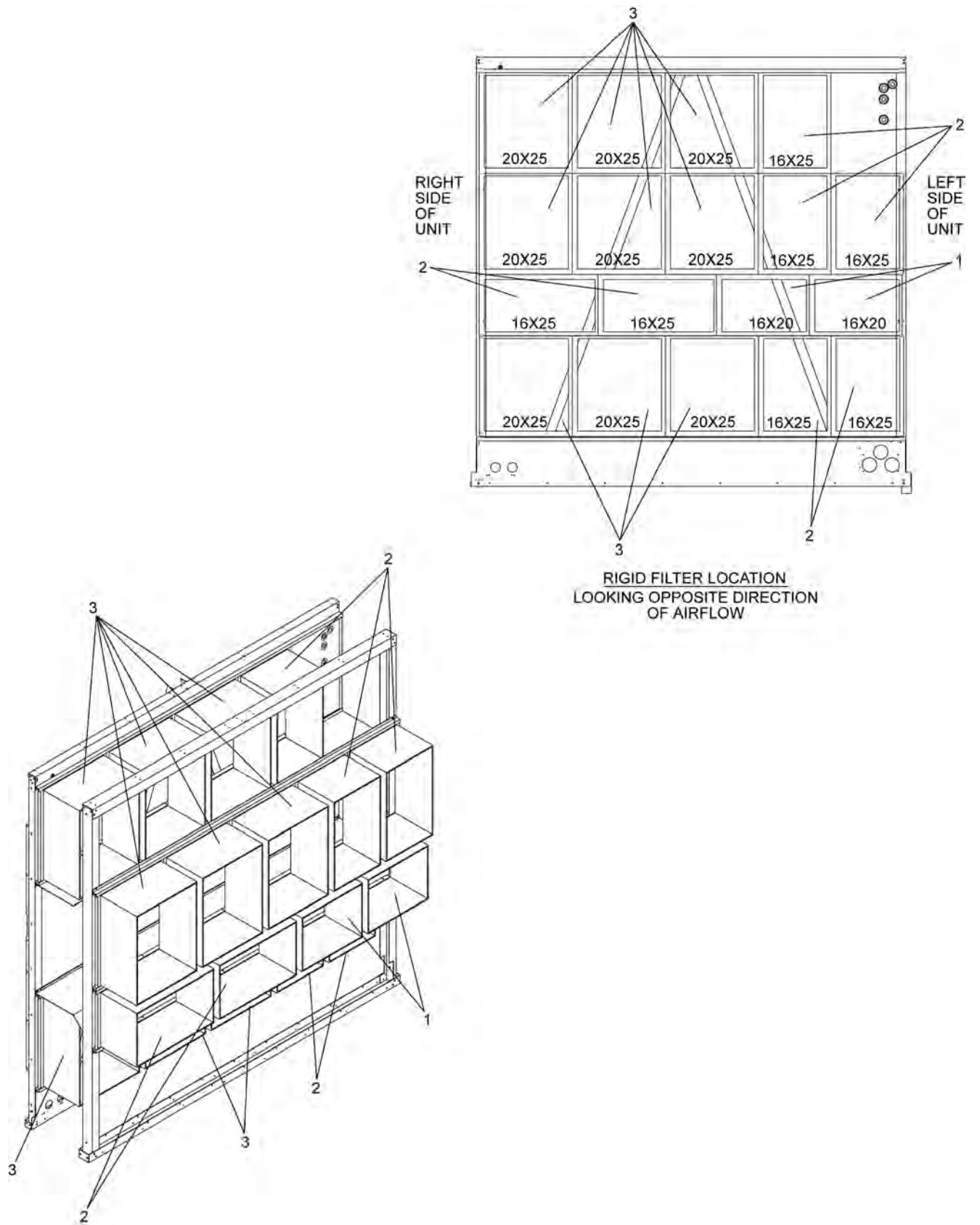
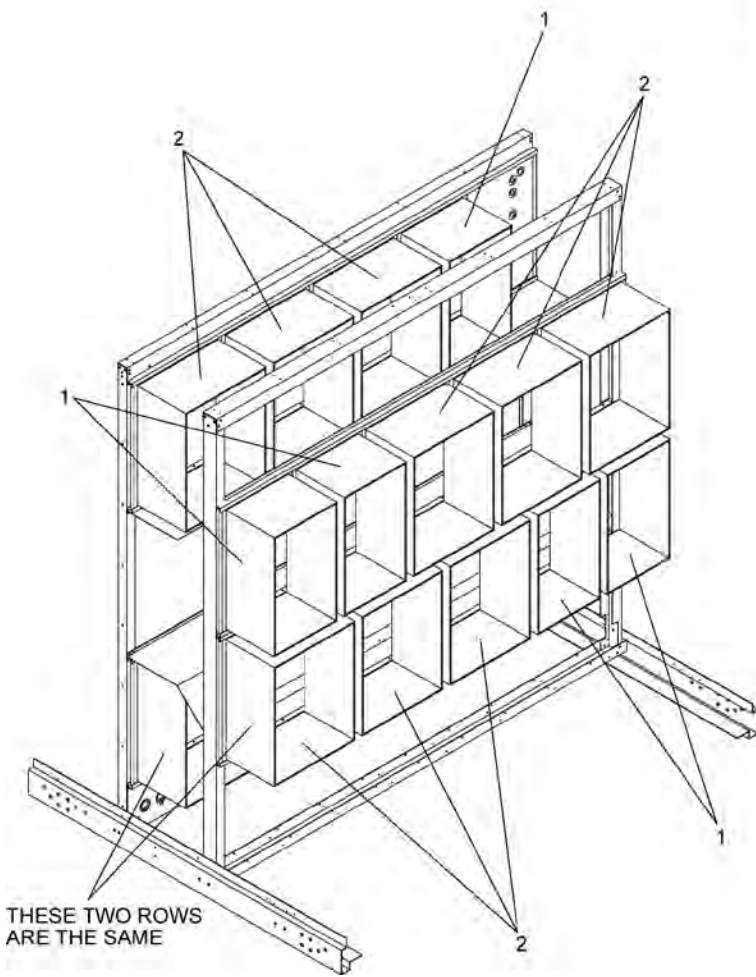
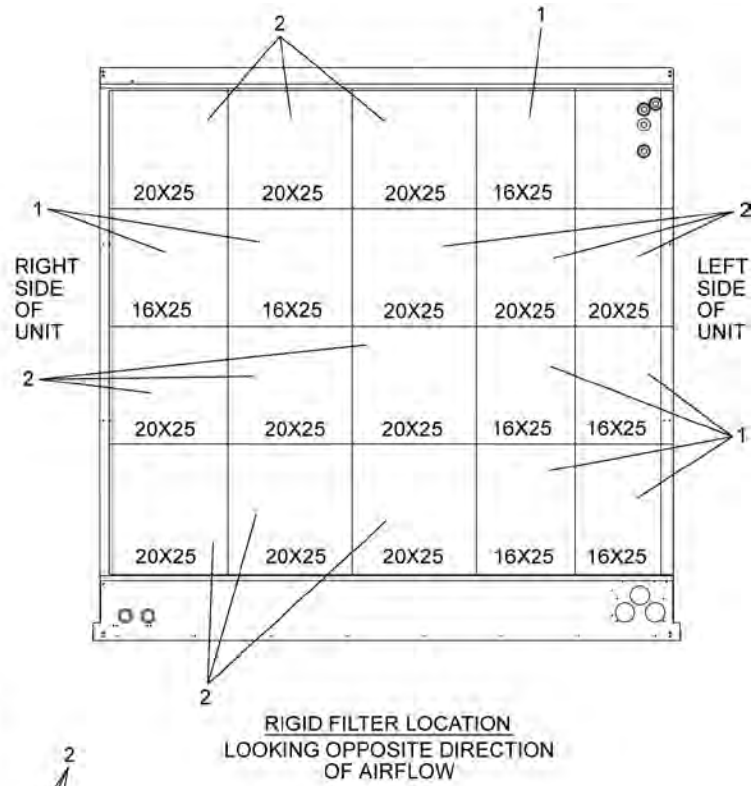


FIG. 53 - FILTER, RIGID (70-85 TON) (EXTENDED CABINET)



LD11875

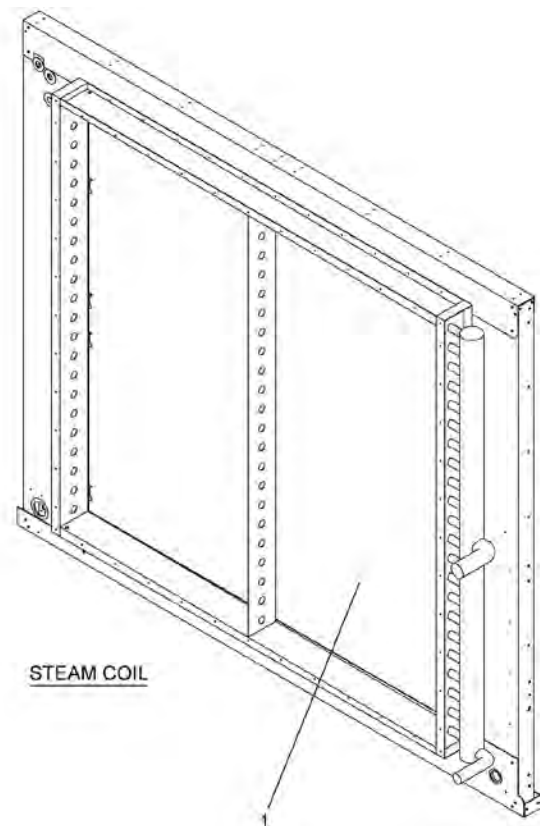
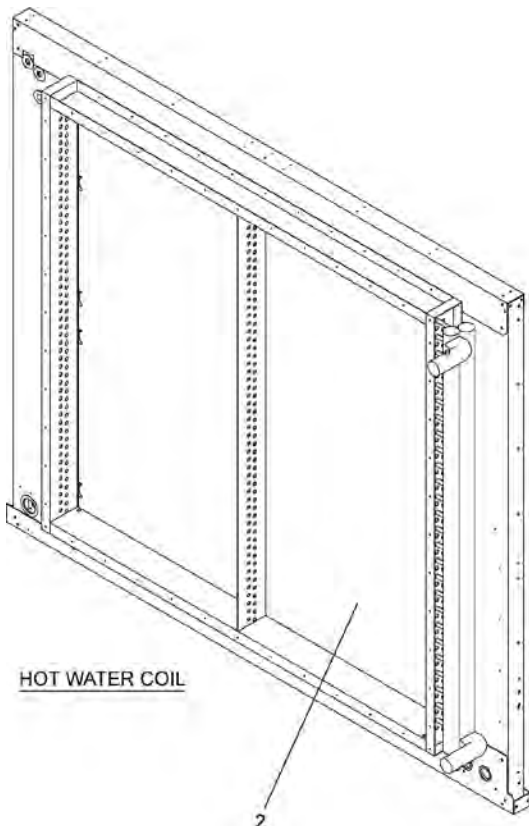
FIG. 54 - FILTER, RIGID (90-105 TON) (EXTENDED CABINET)

TABLE 71 - HOT WATER HEAT COILS (EXTENDED CABINET)

FIG	ITEM	UNIT SIZE	TUBES HIGH	ROWS DEEP	FINS PER INCH	PART NUMBER
55	2	50-65	52	2	8	026-36434-110
55	2				10	026-36434-111
55	2				12	026-36434-112
55	2				14	026-36434-113
55	2				11	026-36434-114
55	2	70-105	60	2	8	026-36434-210
55	2				10	026-36434-211
55	2				12	026-36434-212
55	2				14	026-36434-213

TABLE 72 - STEAM HEAT COILS (EXTENDED CABINET)

FIG	ITEM	UNIT SIZE	TUBES HIGH	ROWS DEEP	FINS PER INCH	PART NUMBER
55	1	50-65	22	1	6	026-36433-110
55	1				8	026-36433-111
55	1				10	026-36433-112
55	1	70-105	25	1	6	026-36433-210
55	1				8	026-36433-211
55	1				10	026-36433-212



LD11876

FIG. 55 - HOT WATER AND STEAM HEAT COILS (EXTENDED CABINET)

TABLE 73 - HOT WATER HEAT PIPING PARTS (EXTENDED CABINET)

FIG	ITEM	VALVE SIZE	DESCRIPTION	PART NUMBER
56	1	0.75	2-WAY VALVE	025-35809-214
56	1	1.00	2-WAY VALVE	025-35809-215
56	1	1.25	2-WAY VALVE	025-35809-216
57	1	1.50	2-WAY VALVE	025-35809-217
57	1	2.00	2-WAY VALVE	025-35809-218
58	1	0.75	3-WAY VALVE	025-35809-354
58	1	1.00	3-WAY VALVE	025-35809-355
58	1	1.25	3-WAY VALVE	025-35809-356
58	1	1.50	3-WAY VALVE	025-35809-357
58	1	2.00	3-WAY VALVE	025-35809-358
56, 58	2	0.75	ADAPTERS FOR 2- AND 3-WAY VALVE	023-20068-000
56, 58	2	1.00	ADAPTERS FOR 2- AND 3-WAY VALVE	023-20067-000
56, 58	2	1.25	ADAPTERS FOR 2- AND 3-WAY VALVE	023-00131-000
57, 59	2	1.50	ADAPTERS FOR 2- AND 3-WAY VALVE	023-20066-000
57, 59	2	2.00	ADAPTERS FOR 2- AND 3-WAY VALVE	023-00145-000
56, 58	3	0.75, 1.00, 1.25	STRAINER	022-10505-000
57, 59	3	1.50, 2.00	STRAINER	022-10504-000
56, 58	4	0.75, 1.00, 1.25	PIPE PLUG FOR STRAINER	023-04053-000
57, 59	4	1.50, 2.00	PIPE PLUG FOR STRAINER	023-04019-000
56, 58	5	0.75, 1.00, 1.25	BALL VALVE	022-10507-000
57, 59	5	1.50, 2.00	BALL VALVE	022-10506-000
56, 58	6	0.75, 1.00, 1.25	ADAPTERS FOR BALL VALVES AND STRAINER	023-00131-000
57, 59	6	1.50, 2.00	ADAPTERS FOR BALL VALVES AND STRAINER	023-00145-000

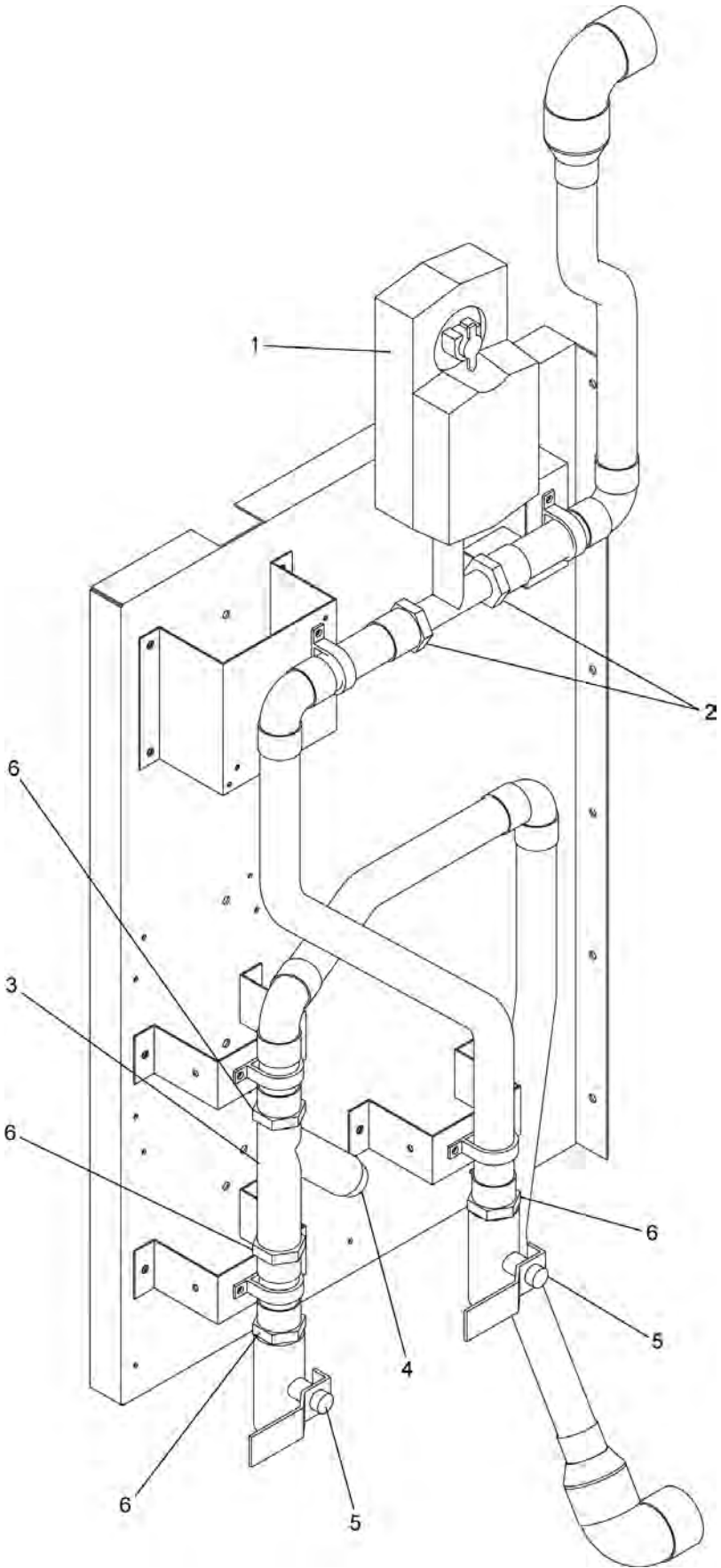
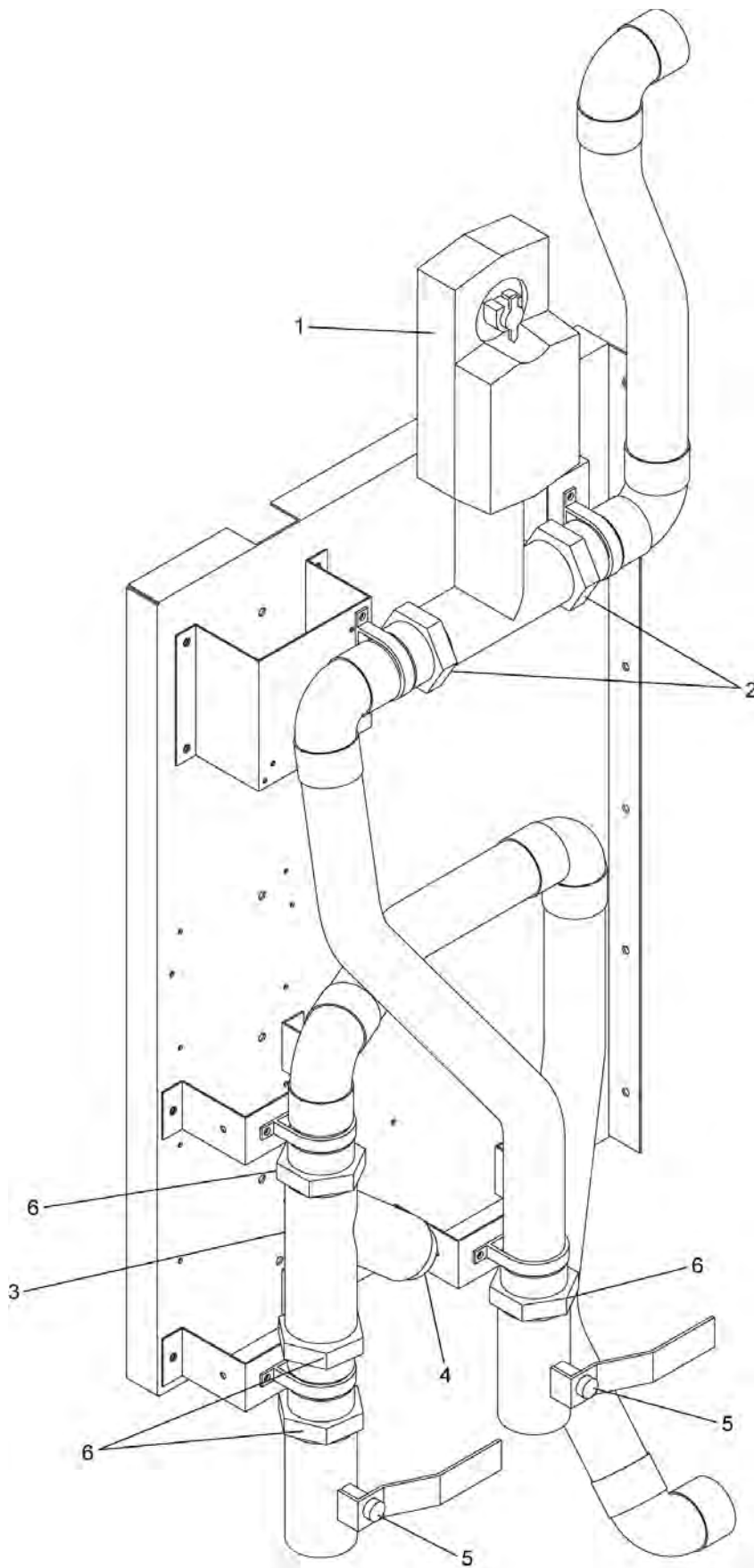


FIG. 56 - HOT WATER HEAT 2-WAY PIPING FOR 0.75, 1.00, AND 1.25 VALVES (EXTENDED CABINET)



LD11878

FIG. 57 - HOT WATER HEAT 2-WAY PIPING FOR 1.50, AND 2.00 VALVES (EXTENDED CABINET)

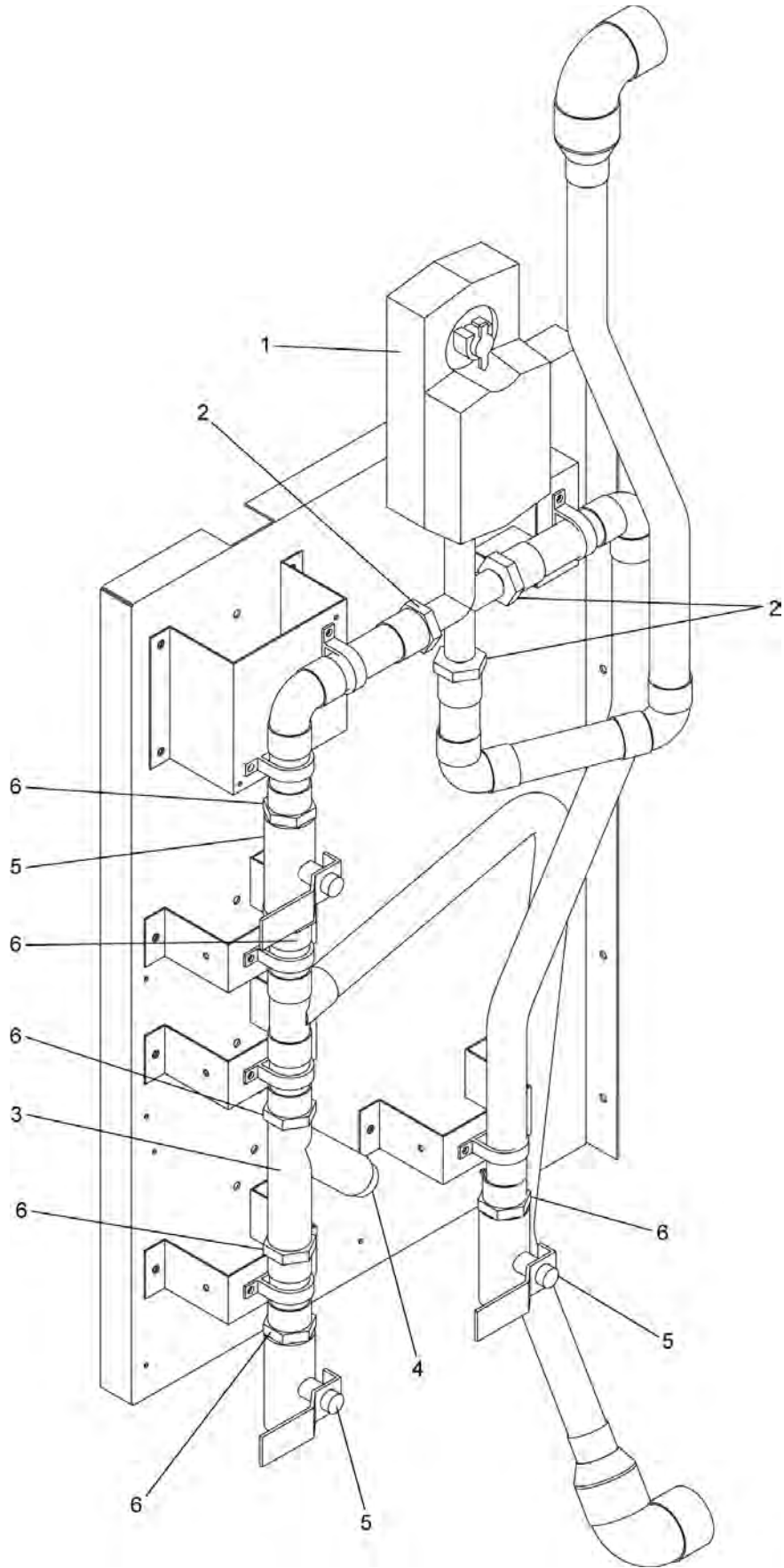
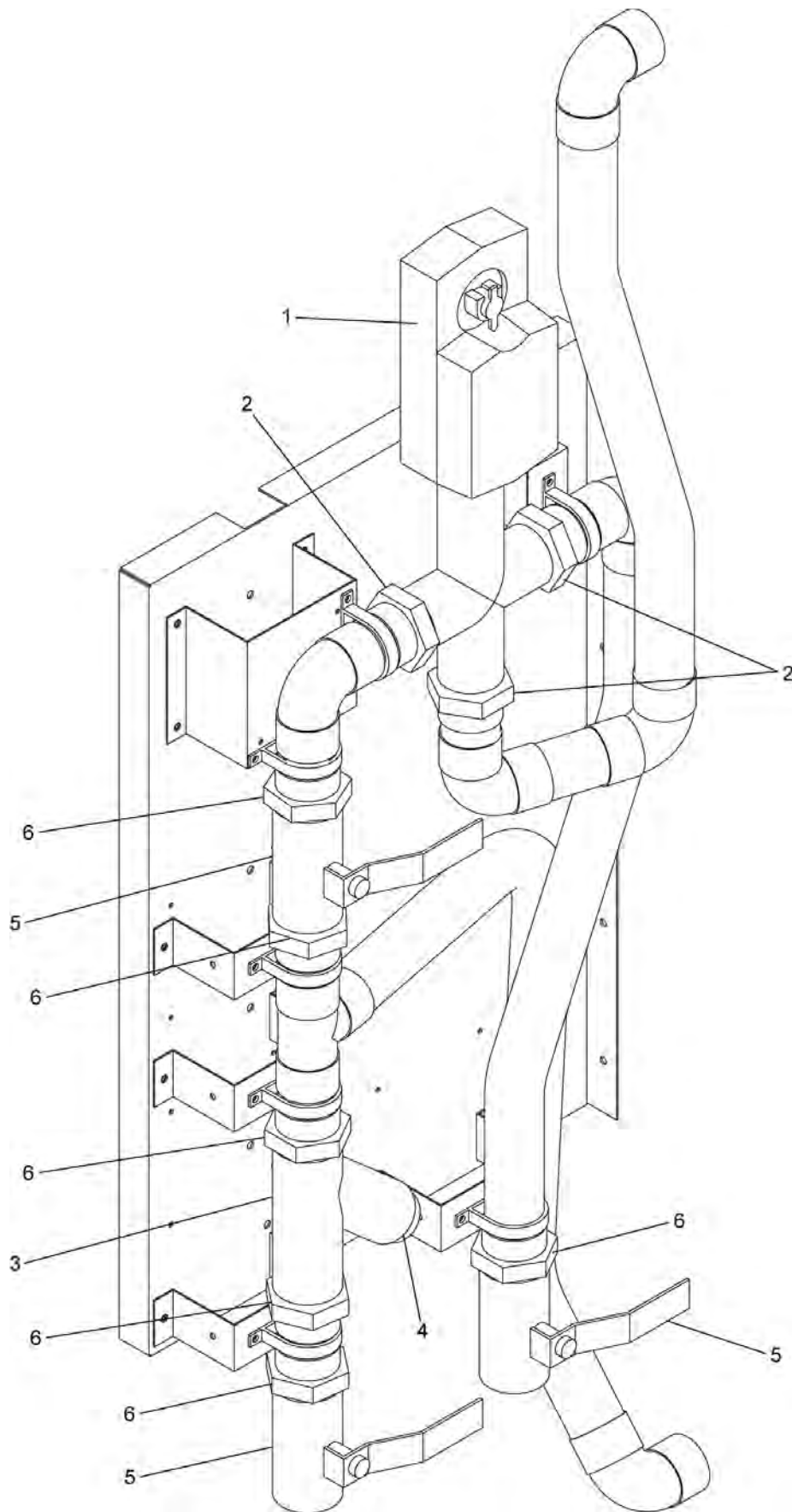


FIG. 58 - HOT WATER HEAT 3-WAY PIPING FOR 0.75, 1.00 AND 1.25 VALVES (EXTENDED CABINET)



LD11880

FIG. 59 - HOT WATER HEAT 3-WAY PIPING FOR 1.50, AND 2.00 VALVES (EXTENDED CABINET)

TABLE 74 - CONDENSER COIL LANCED PANELS

FIG	ITEM	UNIT SIZE	DESCRIPTION	PART NUMBER
60	1	50-65	SIDE LANCED PANEL	085-00961-000
60	2		END LANCED PANEL	085-00960-000
60	3		END TOP/BOTTOM LANCED PANEL	085-00959-000
60	4		END TOP/BOTTOM LANCED PANEL, ELECTRIC HEAT	085-00994-000
60	1,2,3		LANCED PANEL SET	385-00439-202
60	1,2,4		LANCED PANEL SET, ELECTRIC HEAT	385-00439-205
61	1		70-105	SIDE LANCED PANEL
61	2	END LANCED PANEL		085-00964-000
61	3	END TOP LANCED PANEL		085-00966-000
61	4	END BOTTOM LANCED PANEL		085-00959-000
61	5	END TOP LANCED PANEL, ELECTRIC HEAT		085-00994-000
61	6	END BOTTOM LANCED PANEL, ELECTRIC HEAT		085-00994-002
61	1,2,3,4	LANCED PANEL SET		385-00439-208
61	1,2,5,6	LANCED PANEL SET, ELECTRIC HEAT		385-00439-210

TABLE 75 - CONDENSER COIL WIRE GUARDS

FIG	ITEM	UNIT SIZE	DESCRIPTION	PART NUMBER
60	5	50-65	SIDE WIRE GUARD	026-36430-001
60	6		END WIRE GUARD	026-36430-002
60	7		END TOP/BOTTOM WIRE GUARD	026-36431-001
60	8		END TOP/BOTTOM WIRE GUARD, ELECTRIC HEAT	026-36431-003
60	5,6,7		WIRE GUARD SET	385-00439-201
60	5,6,8		WIRE GUARD SET, ELECTRIC HEAT	385-00439-204
61	7		70-105	SIDE WIRE GUARD
61	8	END WIRE GUARD		026-36430-004
61	9	END BOTTOM WIRE GUARD		026-36431-001
61	10	END TOP WIRE GUARD		026-36431-002
61	11	END TOP WIRE GUARD, ELECTRIC HEAT		026-36431-004
61	12	END BOTTOM WIRE GUARD, ELECTRIC HEAT		026-36431-003
61	7,8,9,10	WIRE GUARD SET		385-00439-207
61	7,8,11,12	WIRE GUARD SET, ELECTRIC HEAT		385-00439-206

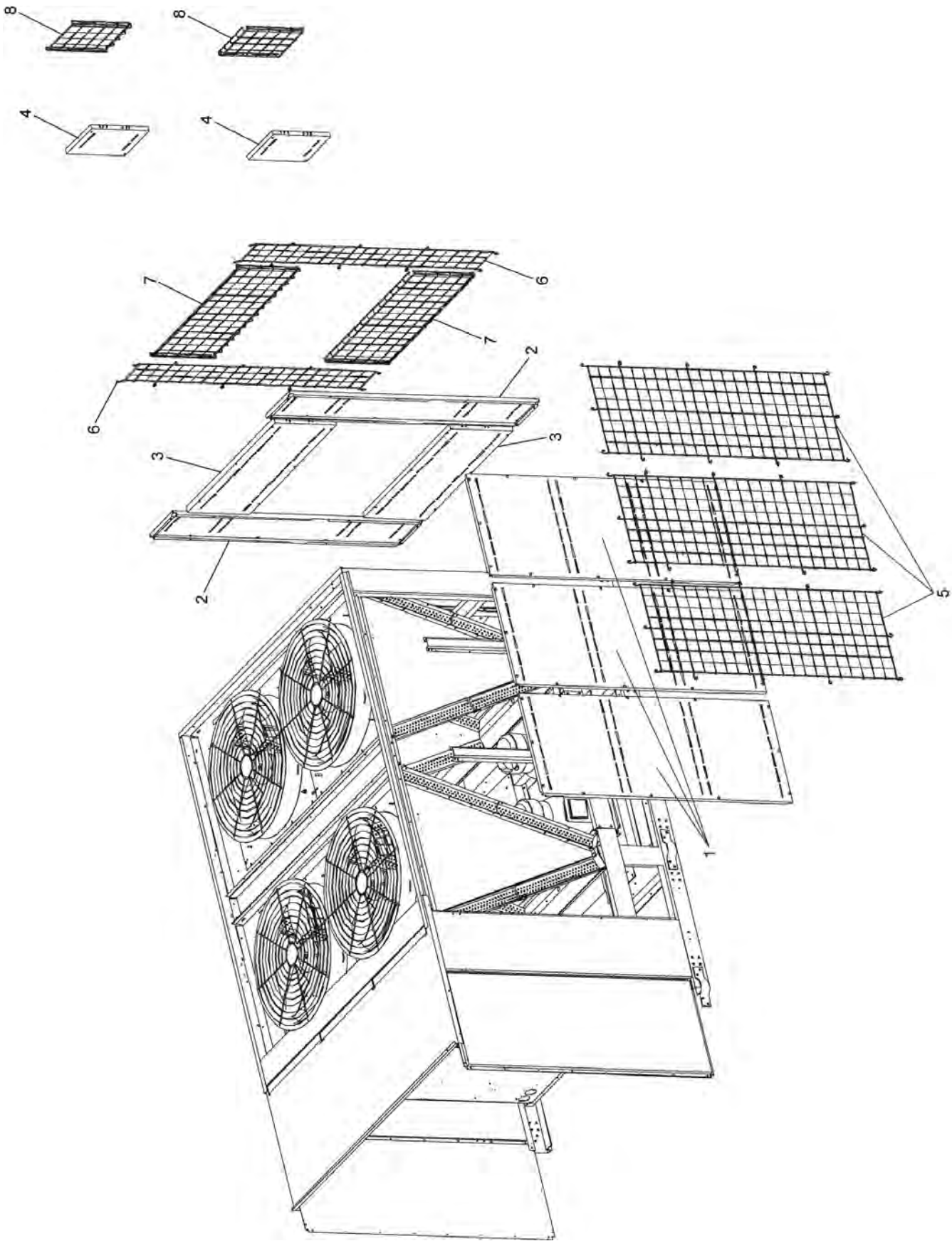


FIG. 60 - CONDENSER COIL LANCED PANELS AND WIRE GUARDS (50-65 TON)

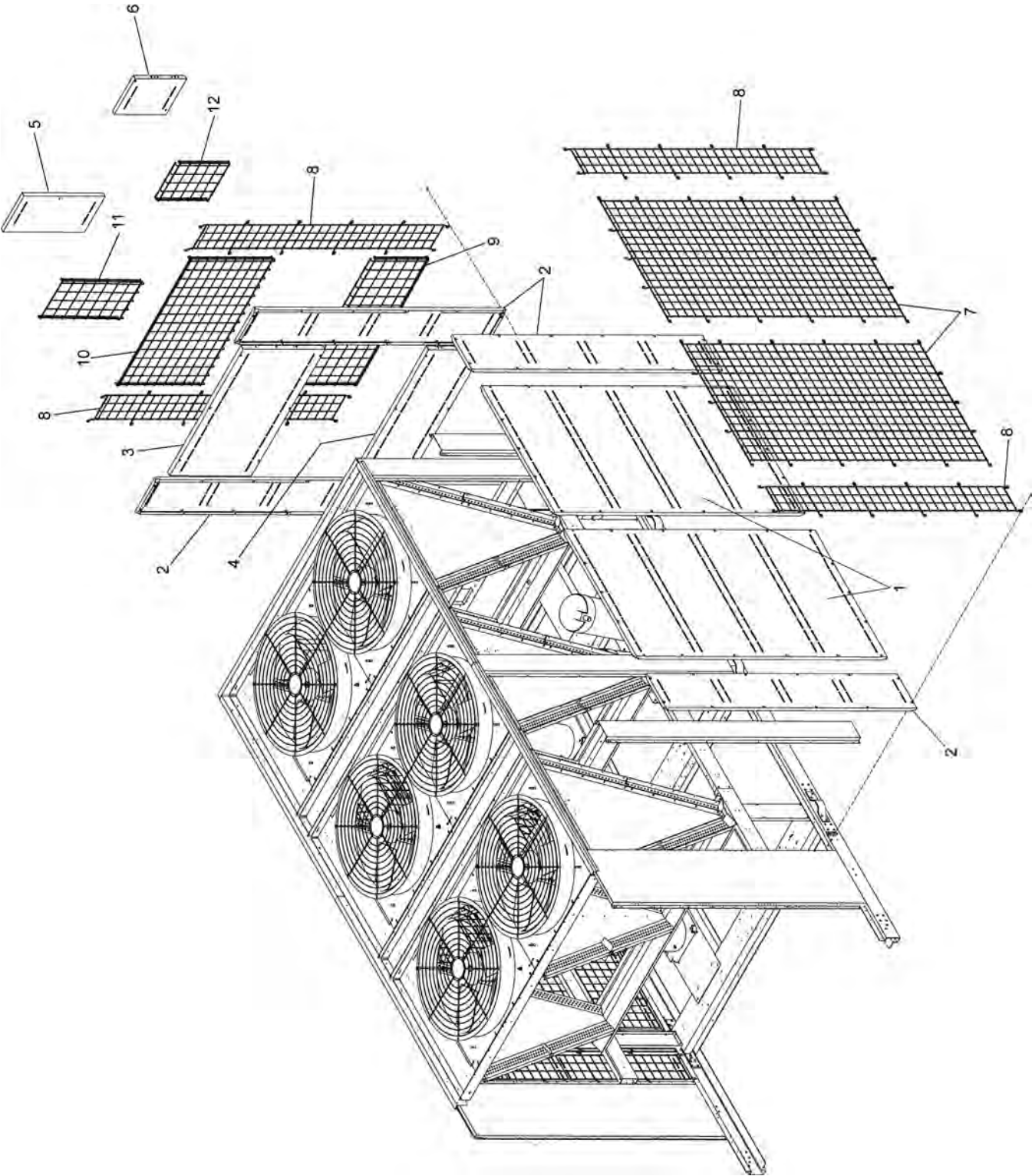


FIG. 61 - CONDENSER COIL LANCED PANELS AND WIRE GUARDS (50-65 TON)

TABLE 76 - CONDENSER FAN ASSEMBLY

FIG	ITEM	DESCRIPTION	PART NUMBER
62	1	GUARD, WIRE, 900MM DIA.	026-35605-000
62	2	FAN, IMPELLER, 900MM (35.20")	026-41594-000
62	3	SUPPORT, COND MOTOR, WIRE FRAME	026-36366-000
62	4	MOTOR SUPPORT RING	026-36367-000
62	5	SPACER, FAN, MOTOR	075-40484-000
62	6	SPACER, FAN, MOTOR	075-29007-000
62	7	SCREW, HC, M8 1.25LG-6G	021-18494-000
62	8	ORIFICE, CONDENSER, 36.0	026-36384-000
62	9	FAN MOTOR, 200V (17)	024-27322-103
		FAN MOTOR, 230V (28)	024-27322-106
		FAN MOTOR, 460V (46)	024-27322-107
		FAN MOTOR, 400V-50 (45)	024-27322-107
		FAN MOTOR, 575V (58)	024-27322-102

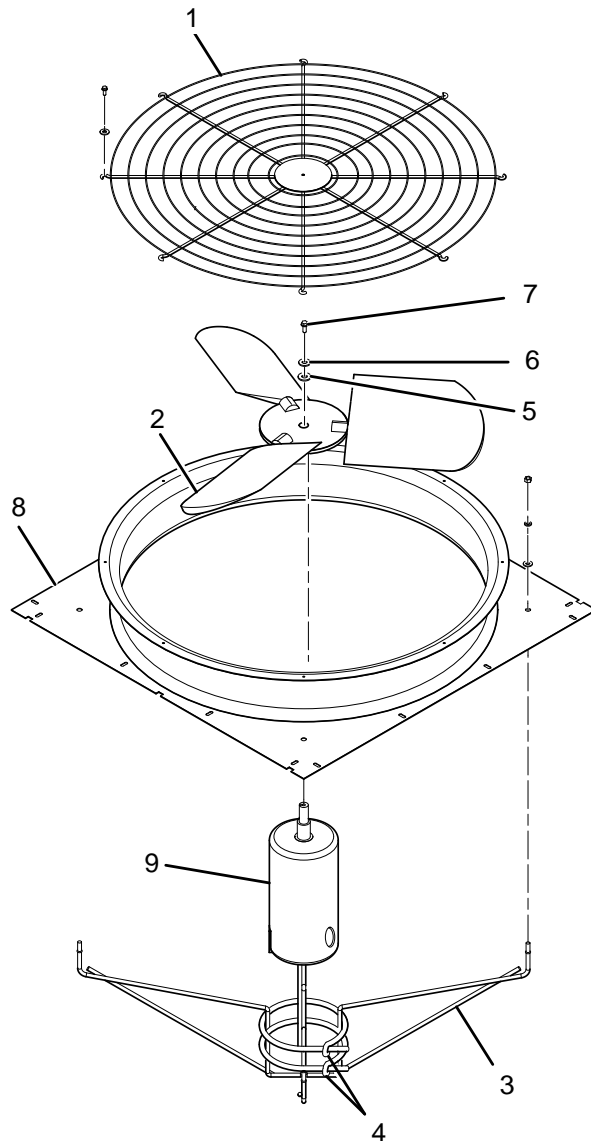
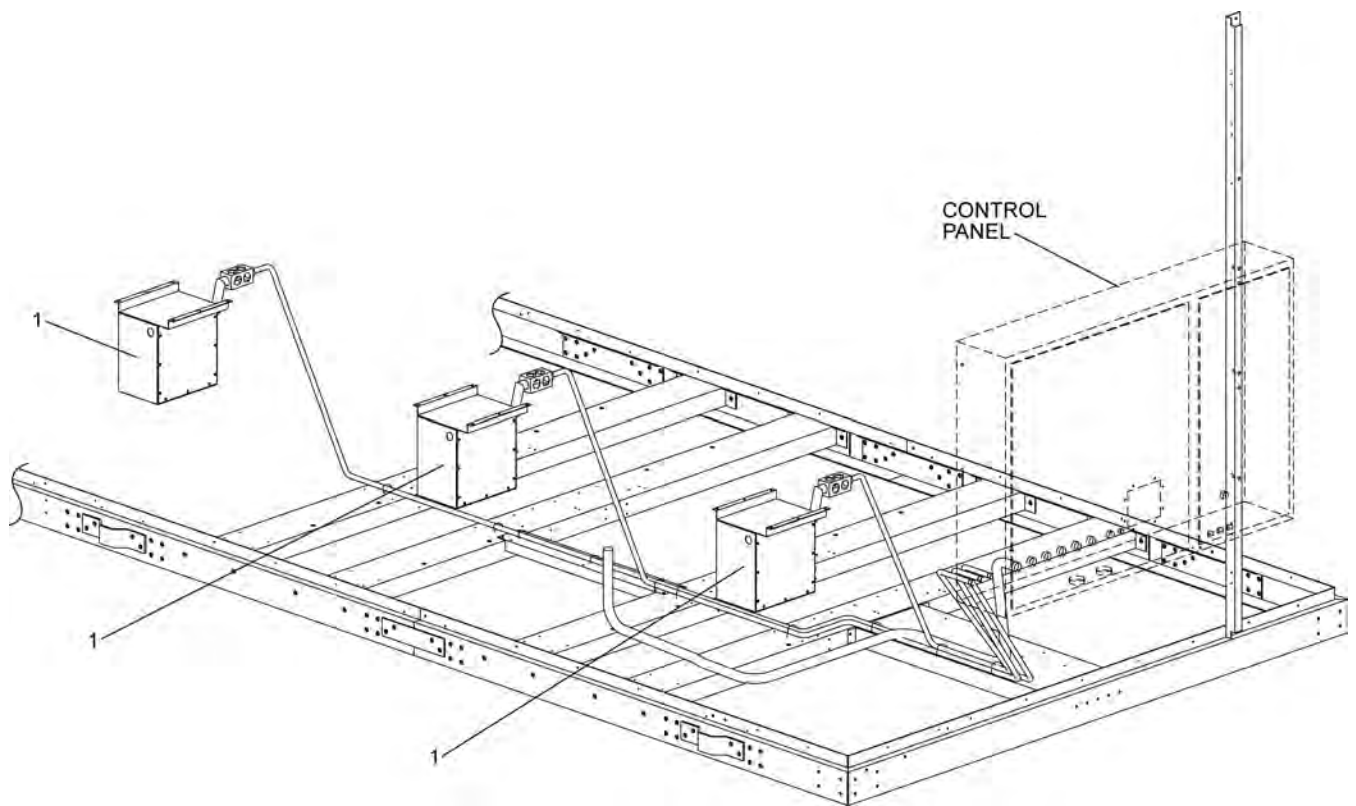


FIG. 62 - CONDENSER FAN ASSEMBLY

LD13956

TABLE 77 - CONDENSER FAN MOTOR VARIABLE FREQUENCY DRIVES

FIG	ITEM	UNIT SIZE	VOLTAGE	HERTZ	PART NUMBER
63	1	50-105	200-230	60	024-35393-002
63	1		460	60	024-35393-001
63	1		575	60	CONTACT YORK SERVICE
63	1		400	50	024-35393-001
63	1		380	60	024-35393-001



LD11884

FIG. 63 - CONDENSER FAN MOTOR VARIABLE FREQUENCY DRIVES

TABLE 78 - CONDENSER COILS (R407C)

FIG	ITEM	UNIT SIZE	PART NUMBER				QTY.
			ALUMINUM FINS	COPPER FINS	ALUMINUM PRE-COAT BLACK FINS	ALUMINUM POST-COAT TECHNICOAT FINS	
64	1	50-65	385-00542-015	385-00542-115	385-00542-215	385-00542-315	8
65	1	70-75	385-00542-016	385-00542-116	385-00542-216	385-00542-316	12
64	1	80-105	385-00542-015	385-00542-115	385-00542-215	385-00542-315	12

Note:

When replacing condenser coils, headers must also be replaced (see TABLES 80 and 81).

TABLE 79 - CONDENSER COILS (R22)

FIG	ITEM	UNIT SIZE	PART NUMBER				QTY.
			ALUMINUM FINS	COPPER FINS	ALUMINUM PRE-COAT BLACK FINS	ALUMINUM POST-COAT TECHNICOAT FINS	
66	1	50-65	385-00542-017	385-00542-117	385-00542-217	385-00542-317	8
65	1	70-75	385-00542-018	385-00542-118	385-00542-218	385-00542-318	12
66	1	80-95	385-00542-017	385-00542-117	385-00542-217	385-00542-317	12
66	1	105	385-00542-019	385-00542-119	385-00542-219	385-00542-319	12

Note:

When replacing condenser coils, headers must also be replaced (see TABLES 82 and 83).

TABLE 80 - CONDENSER DISCHARGE HEADERS (R407)

FIG	ITEM	UNIT SIZE	LOCATION	PART NUMBER		QTY.
				ALUMINUM, COPPER, AND ALUMINUM PRE-COAT BLACK FINS	ALUMINUM POST-COAT TECHNICOAT FINS	
64	2	50-65	RIGHT HAND	023-20028-000	023-20028-100	2
	3		LEFT HAND	023-20028-000	023-20028-100	2
65	2	70-75	RIGHT HAND	023-20028-010	023-20028-110	3
	3		LEFT HAND	023-20028-010	023-20028-110	3
64	2	80-105	RIGHT HAND	023-20028-000	023-20028-100	3
	3		LEFT HAND	023-20028-000	023-20028-100	3

TABLE 81 - CONDENSER LIQUID HEADERS (R407)

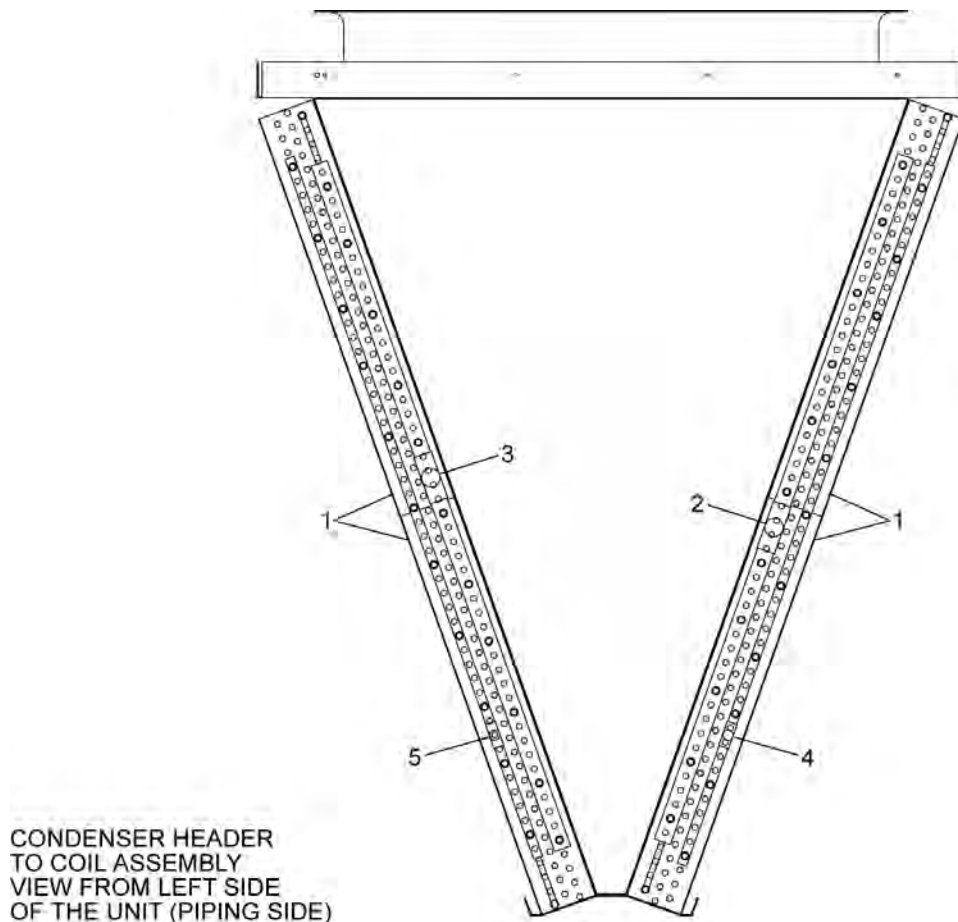
FIG	ITEM	UNIT SIZE	LOCATION	PART NUMBER		QTY.
				ALUMINUM, COPPER, AND ALUMINUM PRE-COAT BLACK FINS	ALUMINUM POST-COAT TECHNICOAT FINS	
64	4	50-65	RIGHT HAND	023-20027-000	023-20027-100	2
	5		LEFT HAND	023-20027-001	023-20027-101	2
65	4	70-75	RIGHT HAND	023-20027-010	023-20027-110	3
	5		LEFT HAND	023-20027-011	023-20027-111	3
64	4	80-105	RIGHT HAND	023-20027-000	023-20027-100	3
	5		LEFT HAND	023-20027-001	023-20027-101	3

TABLE 82 - CONDENSER DISCHARGE HEADERS (R22)

FIG	ITEM	UNIT SIZE	LOCATION	PART NUMBER		QTY
				ALUMINUM, COPPER, AND ALUMINUM PRE-COAT BLACK FINIS	ALUMINUM POST-COAT TECHNICOAT FINIS	
66	2	50-65	RIGHT HAND	023-20070-000	023-20072-000	2
	3		LEFT HAND	023-20070-001	023-20072-001	2
65	2	70-75	RIGHT HAND	023-20028-010	023-20028-110	3
	3		LEFT HAND	023-20028-010	023-20028-110	3
66	2	80-105	RIGHT HAND	023-20070-000	023-20072-000	3
	3		LEFT HAND	023-20070-001	023-20072-001	3

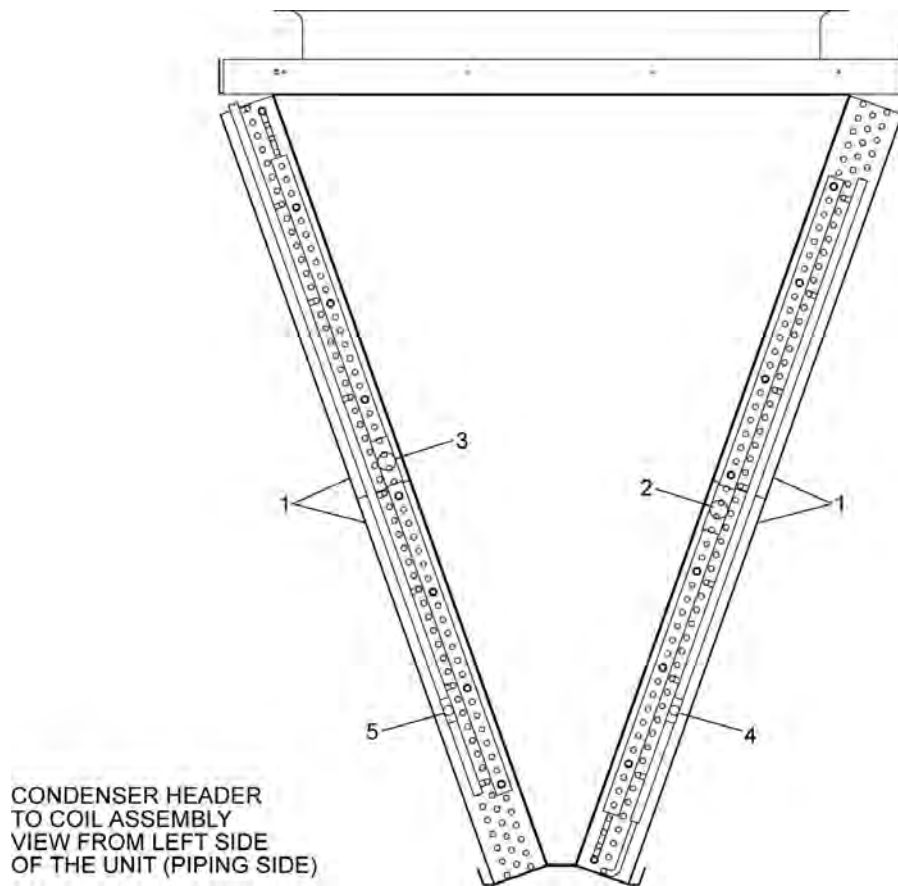
TABLE 83 - CONDENSER LIQUID HEADERS (R22)

FIG	ITEM	UNIT SIZE	LOCATION	PART NUMBER		QTY
				ALUMINUM, COPPER, AND ALUMINUM PRE-COAT BLACK FINIS	ALUMINUM POST-COAT TECHNICOAT FINIS	
66	4	50-65	RIGHT HAND	023-20069-000	023-20071-000	2
	5		LEFT HAND	023-20069-001	023-20071-001	2
65	4	70-75	RIGHT HAND	023-20027-010	023-20027-110	3
	5		LEFT HAND	023-20027-011	023-20027-111	3
66	4	80-105	RIGHT HAND	023-20069-000	023-20071-000	3
	5		LEFT HAND	023-20069-001	023-20071-001	3



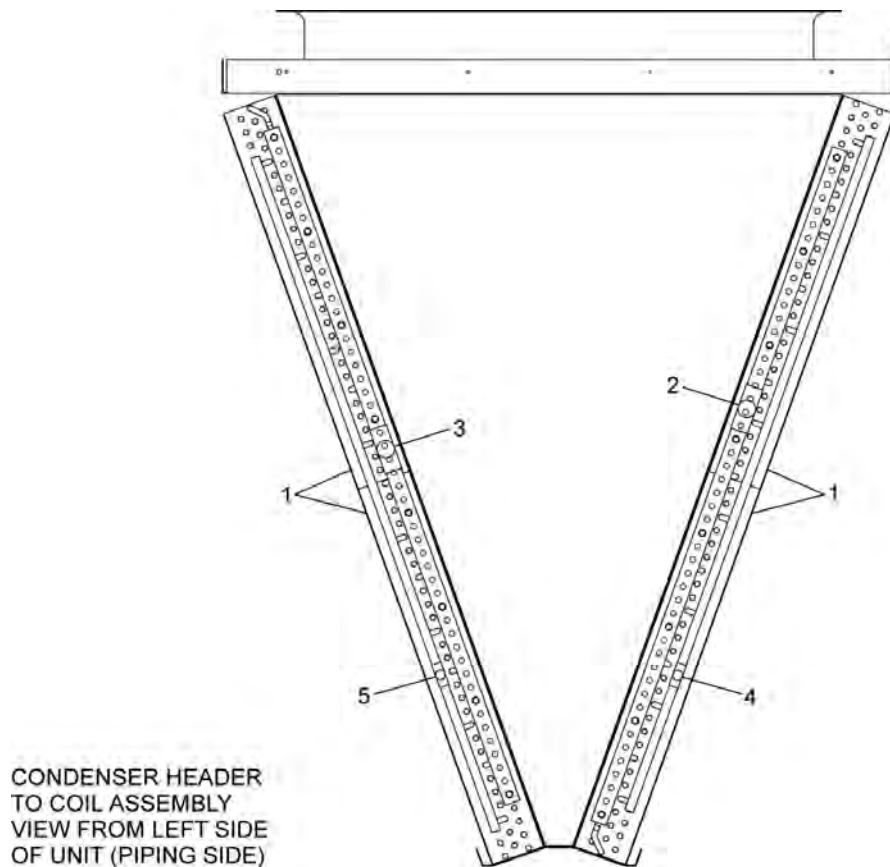
LD11885

FIG. 64 - CONDENSER COILS AND HEADERS FOR R407C (50-65 AND 80-105 TON)



LD11886

FIG. 65 - CONDENSER COILS AND HEADERS FOR R407C AND R22 (70-75 TON)



LD11887

FIG. 66 - CONDENSER COILS AND HEADERS FOR R22 (80-105 TON)

TABLE 84 - REFRIGERANT PIPING PARTS (R407C AND R22)

FIG	ITEM	UNIT SIZE	DESCRIPTION	PART NUMBER	QTY
68	1	50-55	TXV AND DISTRIBUTOR ASSEMBLY	026-36383-020	4
68	1	60-65	TXV AND DISTRIBUTOR ASSEMBLY	026-36383-021	4
71	1	70	TXV AND DISTRIBUTOR ASSEMBLY	026-36383-024	4
71	2			026-36383-020	2
71	1	75	TXV AND DISTRIBUTOR ASSEMBLY	026-36383-025	4
71	2			026-36383-020	2
71	1	80-85	TXV AND DISTRIBUTOR ASSEMBLY	026-36383-026	4
71	2		TXV AND DISTRIBUTOR ASSEMBLY	026-36383-026	2
71	1	90	TXV AND DISTRIBUTOR ASSEMBLY	026-36383-027	4
71	2			026-36383-028	2
71	1	95	TXV AND DISTRIBUTOR ASSEMBLY	026-36383-027	4
71	2			026-36383-020	2
71	1	105	TXV AND DISTRIBUTOR ASSEMBLY	026-36383-030	4
71	2			026-36383-030	2
68	4	50-55	SOLENOID VALVE	025-17464-000	2
68	5	60-65	SOLENOID VALVE	025-32916-000	2
71	4	70-85	SOLENOID VALVE	025-17464-000	3
71	4	90-105	SOLENOID VALVE	025-17464-000	1
71	5		SOLENOID VALVE	025-32916-000	2
68	6	50-65	SIGHT GLASS	026-15305-000	2
71	6	70-105	SIGHT GLASS	026-15305-000	3
69, 72	7	50-105	HOT GAS BYPASS VALVE	025-36171-000	1
67, 68	8	50-65	SERVICE VALVE WITH CORE	022-15213-000	10
70, 71	8	70-105	SERVICE VALVE WITH CORE	022-15213-000	15
67	9	50-65	SERVICE VALVE WITHOUT CORE	023-06596-000	4
70	9	70-105	SERVICE VALVE WITHOUT CORE	023-06596-000	6
67	10	50-65	CHARGE/DRAIN/EVACUATION VALVE	022-09754-000	4
70	10	70-105	CHARGE/DRAIN/EVACUATION VALVE	022-09754-000	6
67	11	50-65	HIGH PRESSURE RELIEF VALVE	022-08881-000	2
70	11	70-105	HIGH PRESSURE RELIEF VALVE	022-08881-000	3
67	12	50-65	DISCHARGE LINE SHUTOFF VALVE	022-10501-000	2
70	12	70-105	DISCHARGE LINE SHUTOFF VALVE	022-10501-000	3
67	13	50-65	SUCTION LINE SHUTOFF VALVE	022-09752-000	2
70	13	70-75	SUCTION LINE SHUTOFF VALVE	022-10501-000	2
70	14	70-75	SUCTION LINE SHUTOFF VALVE	022-09752-000	1
70	14	80-105	SUCTION LINE SHUTOFF VALVE	022-09752-000	3
68	15	50-65	LIQUID LINE SHUTOFF VALVE	022-10500-000	2 OR 4 ²
71	15	70-105	LIQUID LINE SHUTOFF VALVE	025-10500-000	3 OR 6 ³
67	16	50-65	LIQUID LEVEL INDICATOR	026-41616-000	2
70	16	70-105	LIQUID LEVEL INDICATOR	026-41616-000	3

Note:

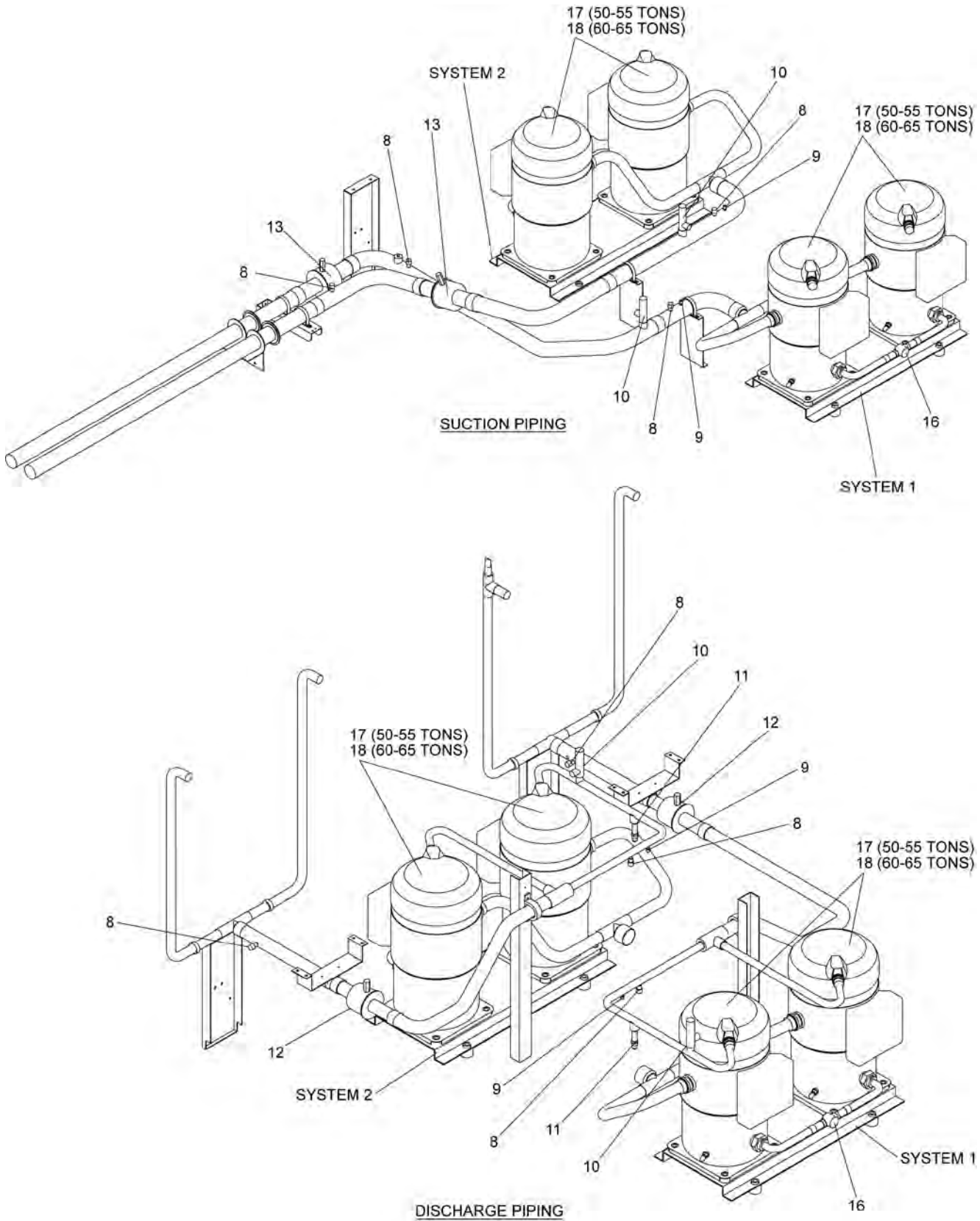
¹ See TABLE 87 for separate TXV and distributor part numbers.² Quantity is 4 on units with replaceable filter drier cores.³ Quantity is 6 on units with replaceable filter drier cores.

TABLE 85 - COMPRESSORS, SCROLL (R407C)

FIG	ITEM	UNIT SIZE	VOLTAGE	HERTZ	PART NUMBER	QUANTITY
67	17	50-55	200, 230	60	015-04011-301	4
67	17		460	60	015-04011-304	4
67	17		575	60	015-04011-305	4
67	17		400	50	015-04011-304	4
67	17		380	60	015-04011-302	4
67	18	60-65	200, 230	60	015-04008-301	4
67	18		460	60	015-04008-304	4
67	18		575	60	015-04008-305	4
67	18		400	50	015-04008-304	4
67	18		380	60	015-04008-302	4
70	17	70-75	200, 230	60	015-04011-301	2
70	19				015-04010-301	4
70	17		460	60	015-04011-304	2
70	19				015-04010-304	4
70	17		575	60	015-04011-305	2
70	19				015-04010-305	4
70	17		400	50	015-04011-304	2
70	19				015-04010-304	4
70	17		380	60	015-04011-302	2
70	19				015-04010-302	4
70	17	80-85	200, 230	60	015-04011-301	6
70	17		460	60	015-04011-304	6
70	17		575	60	015-04011-305	6
70	17		400	50	015-04011-304	6
70	17		380	60	015-04011-302	6
70	17	90-95	200, 230	60	015-04011-301	2
70	18				015-04008-301	4
70	17		460	60	015-04011-304	2
70	18				015-04008-304	4
70	17		575	60	015-04011-305	2
70	18				015-04008-305	4
70	17		400	50	015-04011-304	2
70	18				015-04008-304	4
70	17		380	60	015-04011-302	2
70	18				015-04008-302	4
70	18	105	200, 230	60	015-04008-301	6
70	18		460	60	015-04008-304	6
70	18		575	60	015-04008-305	6
70	18		400	50	015-04008-304	6
70	18		380	60	015-04008-302	6

TABLE 86 - COMPRESSORS, SCROLL (R22)

FIG	ITEM	UNIT SIZE	VOLTAGE	HERTZ	PART NUMBER	QUANTITY
67	17	50-55	200, 230	60	015-04011-101	4
67	17		460	60	015-04011-104	4
67	17		575	60	015-04011-105	4
67	17		400	50	015-04011-104	4
67	17		380	60	015-04011-102	4
67	18	60-65	200, 230	60	015-04008-101	4
67	18		460	60	015-04008-104	4
67	18		575	60	015-04008-105	4
67	18		400	50	015-04008-104	4
67	18		380	60	015-04008-102	4
70	17	70-75	200, 230	60	015-04011-101	2
70	19				015-04010-101	4
70	17		460	60	015-04011-104	2
70	19				015-04010-104	4
70	17		575	60	015-04011-105	2
70	19				015-04010-105	4
70	17		400	50	015-04011-104	2
70	19				015-04010-104	4
70	17		380	60	015-04011-102	2
70	19				015-04010-102	4
70	17	80-85	200, 230	60	015-04011-101	6
70	17		460	60	015-04011-104	6
70	17		575	60	015-04011-105	6
70	17		400	50	015-04011-104	6
70	17		380	60	015-04011-102	6
70	17	90-95	200, 230	60	015-04011-101	2
70	18				015-04008-101	4
70	17		460	60	015-04011-104	2
70	18				015-04008-104	4
70	17		575	60	015-04011-105	2
70	18				015-04008-105	4
70	17		400	50	015-04011-104	2
70	18				015-04008-104	4
70	17		380	60	015-04011-102	2
70	18				015-04008-102	4
70	18	105	200, 230	60	015-04008-101	6
70	18		460	60	015-04008-104	6
70	18		575	60	015-04008-105	6
70	18		400	50	015-04008-104	6
70	18		380	60	015-04008-102	6



LD11888

FIG. 67 - REFRIGERANT SUCTION AND DISCHARGE PIPING (50-65 TON)

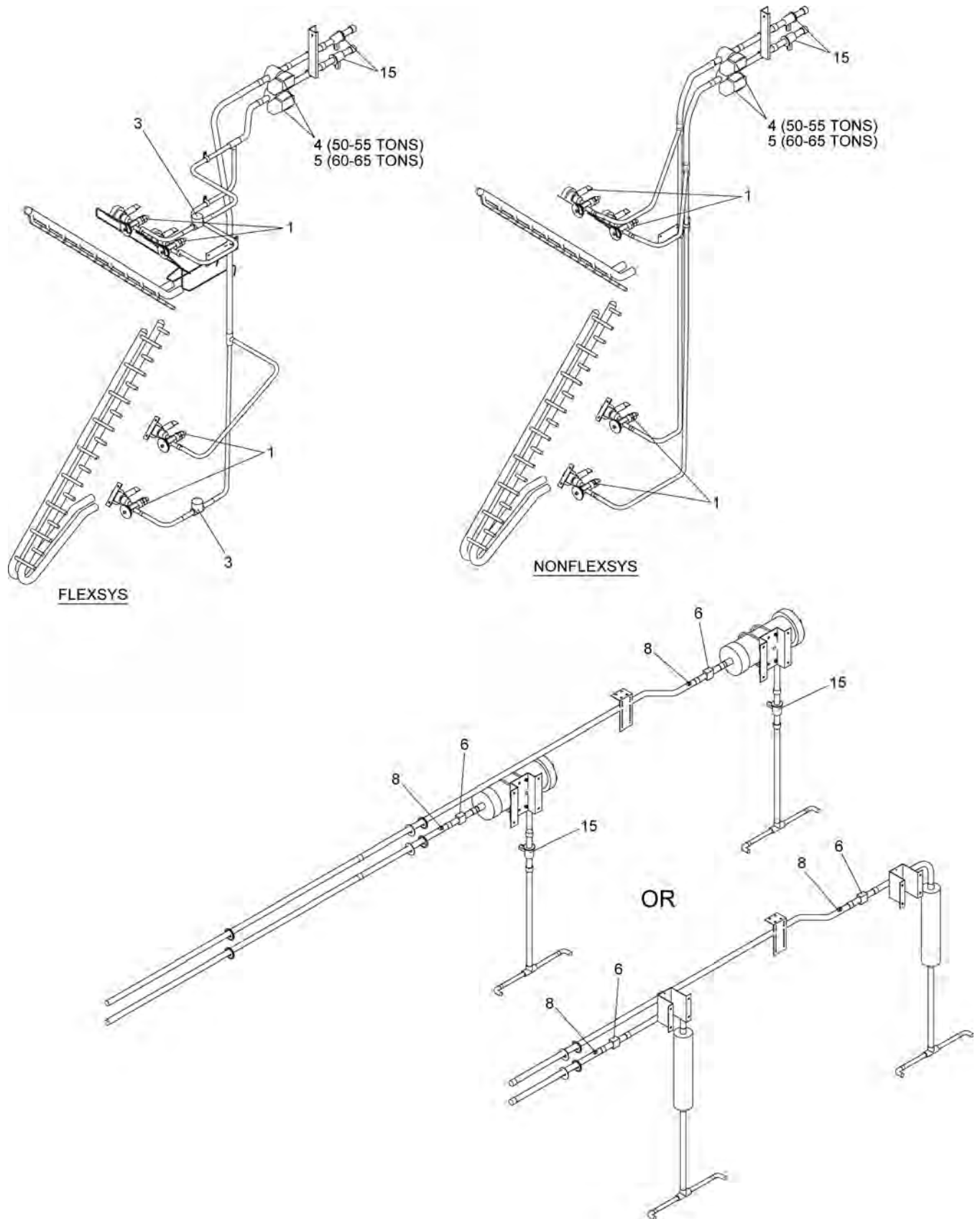
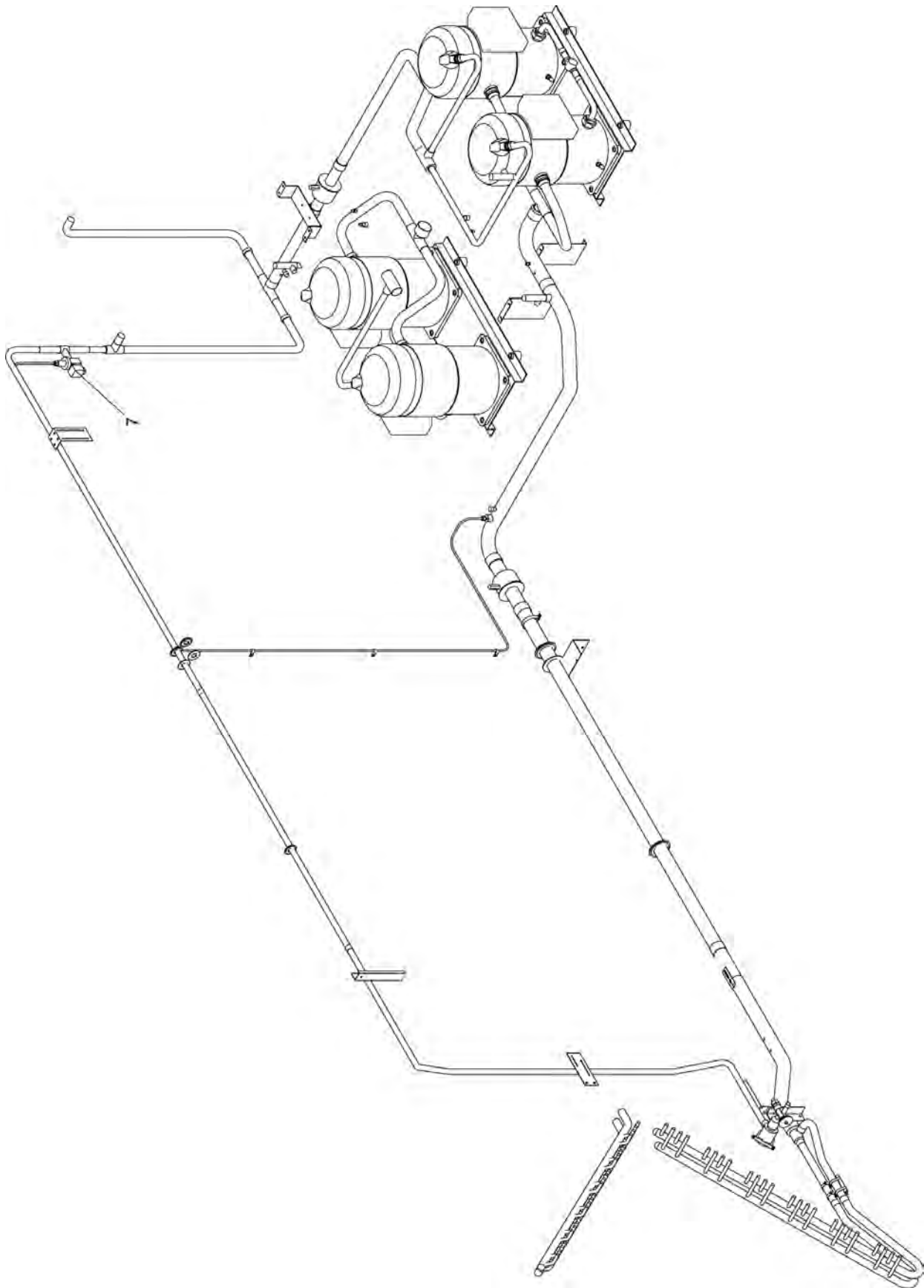


FIG. 68 - REFRIGERANT LIQUID PIPING (50-65 TON)



LD11890

FIG. 69 - REFRIGERANT HOT GAS PIPING (50-65 TON)

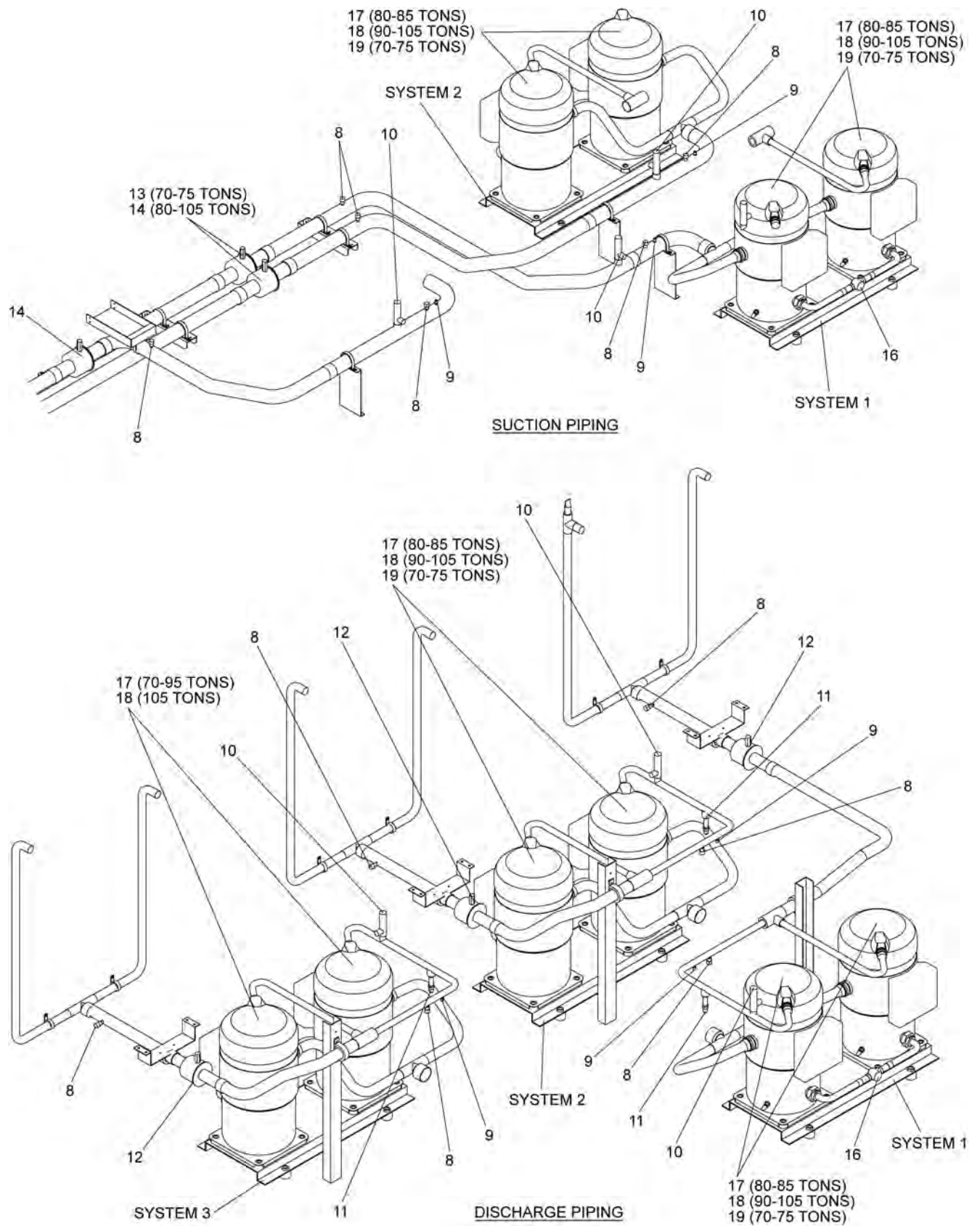


FIG. 70 - REFRIGERANT SUCTION AND DISCHARGE PIPING (70-105 TON)

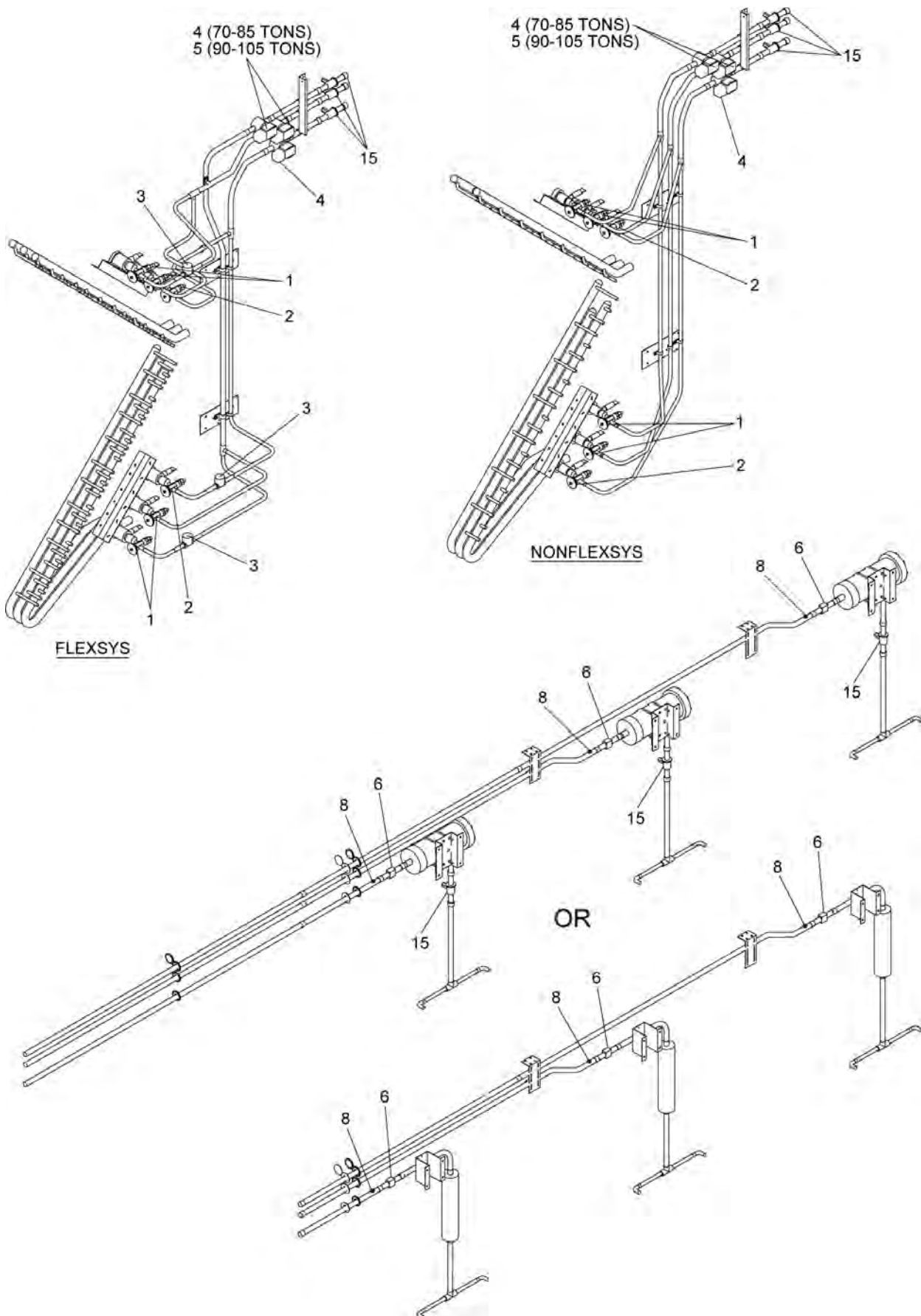


FIG. 71 - REFRIGERANT LIQUID PIPING (70-105 TON)

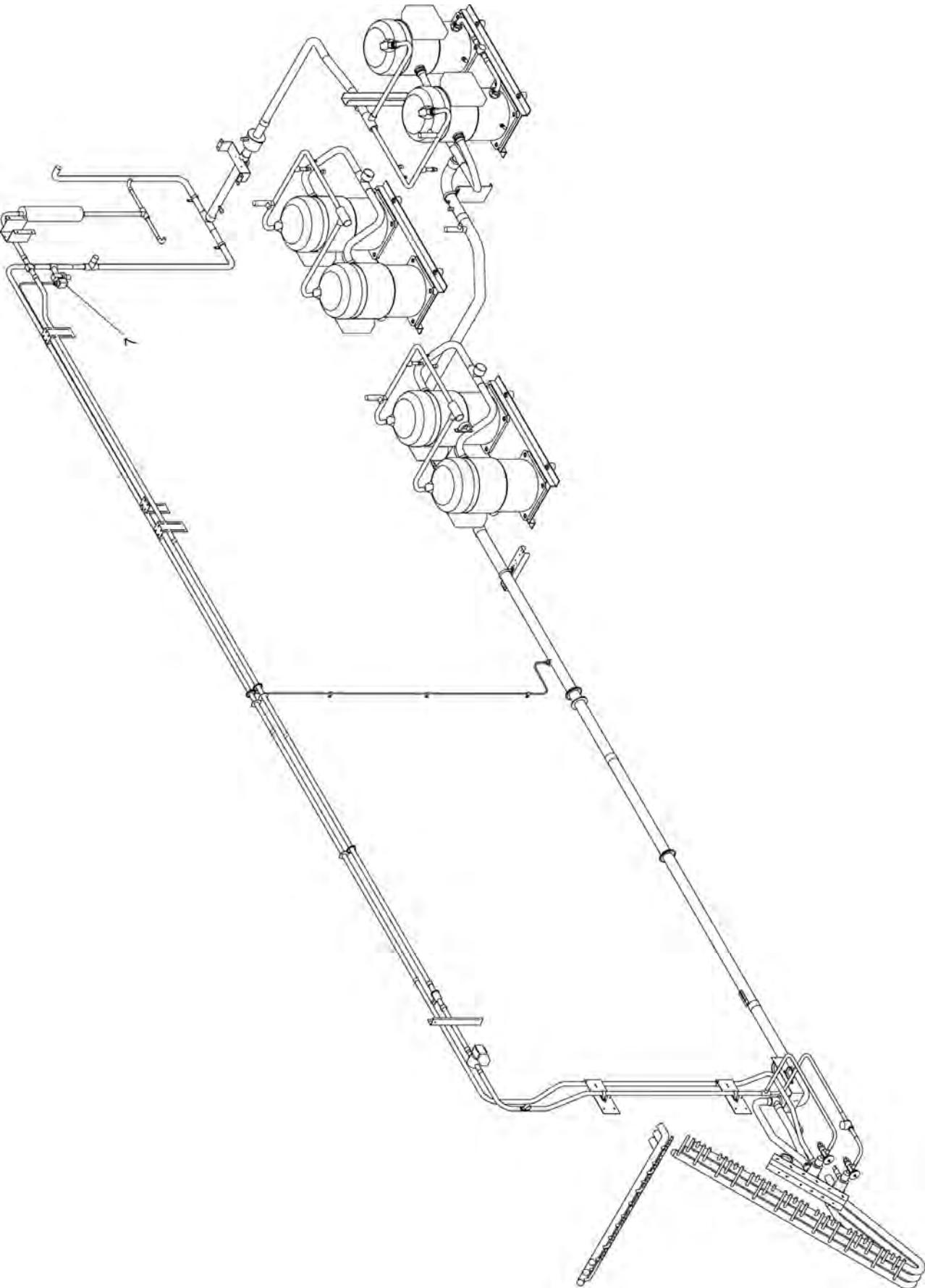


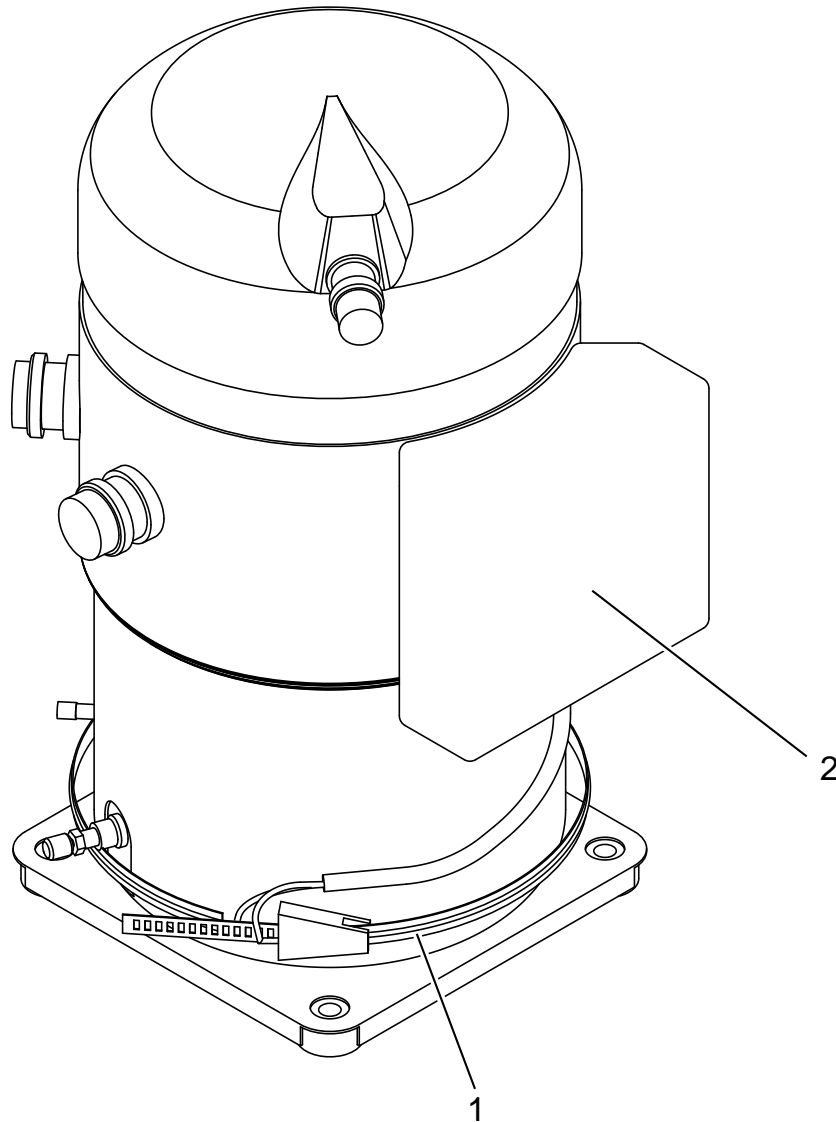
FIG. 72 - REFRIGERANT HOT GAS PIPING (70-105 TON)

TABLE 87 - THERMAL EXPANSION VALVES AND DISTRIBUTORS

THERMAL EXPANSION VALVE AND DISTRIBUTOR ASSEMBLY PART NUMBER	THERMAL EXPANSION VALVE PART NUMBER	DISTRIBUTOR PART NUMBER
026-36383-001	025-36361-000	025-36359-000
026-36383-002	025-36360-000	025-36358-000
026-36383-003	025-36360-000	025-36389-000
026-36383-004	025-36363-000	025-36357-000
026-36383-006	025-36361-000	025-36356-000
026-36383-011	025-36360-000	025-36354-000
026-36383-012	025-36364-000	025-36356-000
026-36383-014	025-36360-000	025-36355-000
026-36383-015	025-36362-000	025-36354-000
026-36383-017	025-36362-000	025-36389-000
026-36383-018	025-36362-000	025-36355-000
026-36383-020	025-36364-000	025-40198-000
026-36383-021	025-36364-000	025-40199-000
026-36383-024	025-36361-000	025-40200-000
026-36383-025	025-36361-000	025-40201-000
026-36383-026	025-36364-000	025-40202-000
026-36383-027	025-36360-000	025-40203-000
026-36383-028	025-36364-000	025-40204-000
026-36383-030	025-36364-000	025-40199-000

TABLE 88 - COMPRESSOR CRANKCASE HEATERS

FIG	ITEM	COMPRESSOR HORSE-POWER	VOLTAGE	WATTAGE	PART NUMBER
73	1	10	120	70	025-37888-000
73	1	12	120	70	025-37888-000
73	1	15	120	70	025-37888-000



LD11894A

FIG. 73 - COMPRESSOR CRANKCASE HEATER

TABLE 89 - COMPRESSOR SOUND BLANKETS

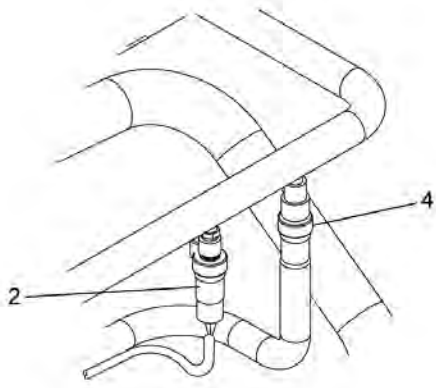
UNIT SIZE	PART NUMBER	QUANTITY
50-55	010-06507-003	4
60-65	010-06507-002	4
70-75	010-06507-003	6
80-85	010-06507-003	6
90-95	010-06507-002	4
	010-06507-003	2
105	010-06507-002	6

TABLE 90 - TRANSDUCERS, SWITCHES, AND SENSORS

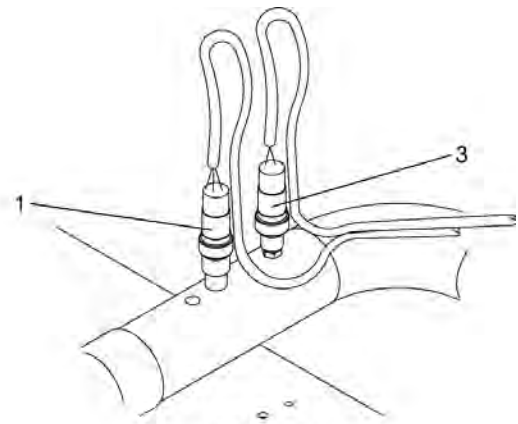
FIG	ITEM	LOCATION	DESCRIPTION	PART NUMBER
74, 75	1	CONDENSER SECTION	SUCTION PRESSURE TRANSDUCER	025-29583-000
74, 75	2	CONDENSER SECTION	DISCHARGE PRESSURE TRANSDUCER	025-29139-001
74, 75	3	CONDENSER SECTION	LOW PRESSURE SAFETY CUT-OUT SWITCH	025-36388-003
74, 75	4	CONDENSER SECTION	HIGH PRESSURE SAFETY CUT-OUT SWITCH	025-28985-002
76	1	EXTENDED CABINET	DIRTY FILTER SWITCH	025-36116-000
76	2	EXTENDED CABINET	MAGNEHELIC GAUGE	025-30449-001
76	2	COMPRESSOR	COPELAND MOTOR PROTECTOR	025-38995-000
77	1	HEAT SECTION	HOT WATER AND STEAM HEAT FREEZESTAT	025-35787-002
78	1	SUPPLY AIR SECTION	AIR PROVING SWITCH	025-36115-001
78	2	SUPPLY AIR SECTION	SUPPLY AIR TEMPERATURE SENSOR (COOLING ONLY)	025-36434-001
78	3	SUPPLY AIR SECTION	SUCTION TEMPERATURE SENSOR	025-36432-001
78	4	SUPPLY AIR SECTION	SUPPLY AIR TEMPERATURE SENSOR (COOLING WITH HEAT)	025-36432-001
78	5	SUPPLY AIR SECTION	SUPPORT, SENSOR	085-20074-102
78	6	SUPPLY AIR SECTION	HEAT ENTERING, SENSOR	025-36434-001
25	7	EVAPORATOR SECTION	FLEXSYS EVAPORATOR TEMPERATURE SENSOR	025-36432-001
79	1	FILTER SECTION	DIRTY FILTER SWITCH	025-36116-001
79	2	FILTER SECTION	NEGATIVE PRESSURE SWITCH	025-36115-002
81	1	ECONOMIZER SECTION	AIR MEASURING STATION TRANSDUCER (0.0 TO 0.25 INCHES WC)	025-35775-010
81	2	ECONOMIZER SECTION	BUILDING PRESSURE TRANSDUCER (-0.5 TO +0.5 INCHES WC)	025-35775-007
81	3	ECONOMIZER SECTION	DUCT PRESSURE TRANSDUCER (0.0 TO 5.0 INCHES WC)	025-35775-004
81	4	ECONOMIZER SECTION	OUTSIDE AIR TEMPERATURE SENSOR (INTERNAL)	025-36432-001
81	5	ECONOMIZER SECTION	OUTSIDE AIR TEMPERATURE AND HUMIDITY SENSOR	025-36433-001
81	6	ECONOMIZER SECTION	RETURN AIR TEMPERATURE SENSOR	025-36432-001
81	7	ECONOMIZER SECTION	RETURN AIR TEMPERATURE AND HUMIDITY SENSOR	025-36433-001
81	8	ECONOMIZER SECTION	RETURN FAN PRESSURE TRANSDUCER (-1.0 TO +1.0 INCHES WC)	025-36365-008
80	1	ECONOMIZER SECTION	OUTSIDE AIR TEMPERATURE SENSOR (EXTERNAL)	025-36548-000
NOT SHOWN		ECONOMIZER SECTION/ RETURN AIR	CARBON DIOXIDE SENSOR (INDOOR/OUTDOOR)	025-36461-000
NOT SHOWN		INSIDE BUILDING	4 STAGE THERMOSTAT	025-36259-000
NOT SHOWN		INSIDE BUILDING	ZONE SENSOR WITHOUT ADJUSTMENT	031-02529-000
NOT SHOWN		RETURN AIR	EXHAUST FAN AIR PROVING SWITCH	025-36115-001

TABLE 91 - RETURN FAN MOTOR OVERLOAD RELAY

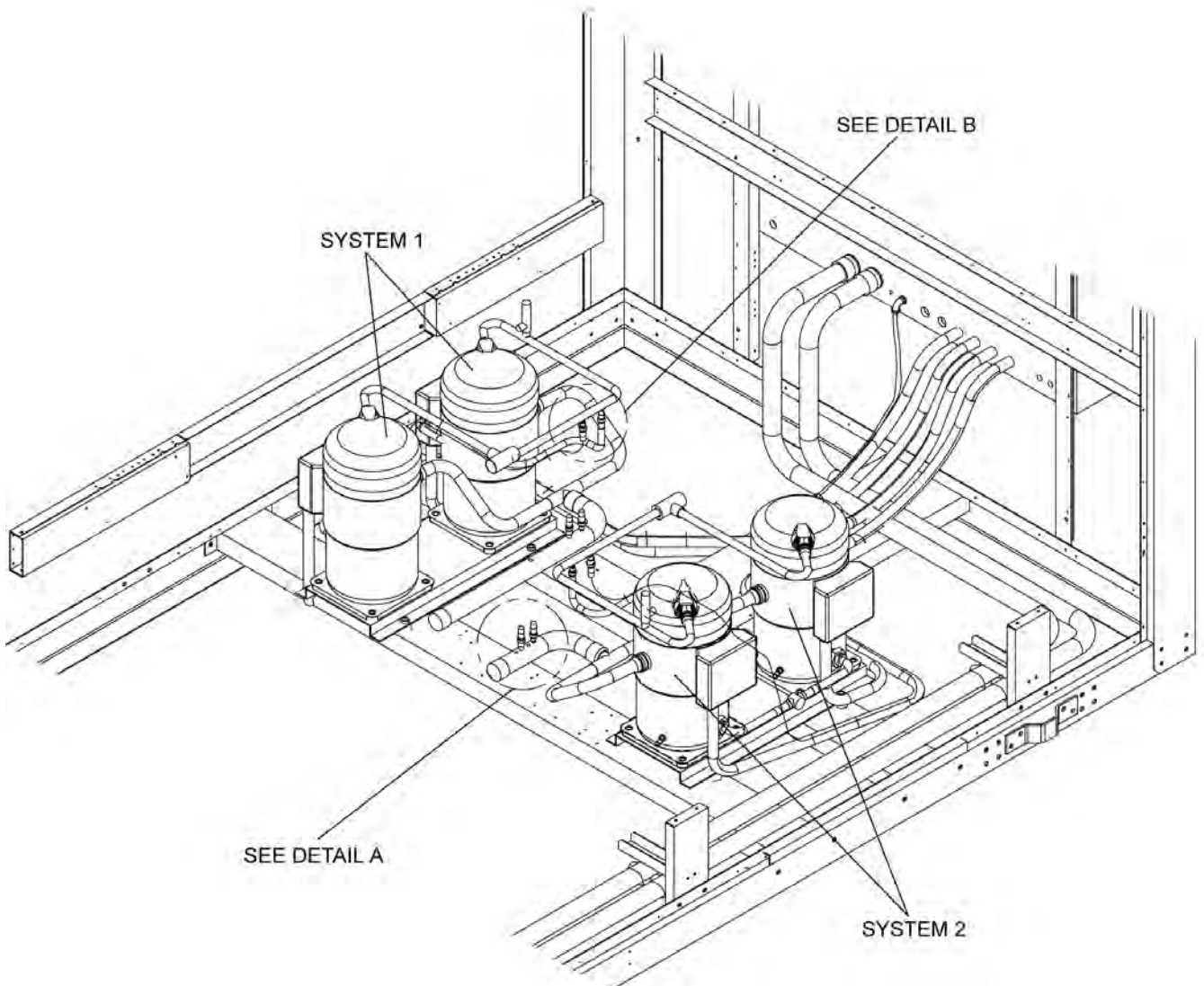
FIG	ITEM	UNIT SIZE	MOTOR HP	VOLTAGE	HERTZ	ADJUSTMENT RANGE (AMPS)	PART NUMBER	
81	9	50-105	5	200	60	12-18	325-36366-004	
81	9			230	60	12-18	325-36366-004	
81	9			460	60	5.5-8	325-36366-001	
81	9			575	60	5.5-8	325-36366-001	
81	9			400	50	7-10	325-36366-002	
81	9			380	60	7-10	325-36366-002	
81	9		7.5	7.5	200	60	16-24	325-36366-005
81	9				230	60	16-24	325-36366-005
81	9				460	60	9-13	325-36366-003
81	9				575	60	7-10	325-36366-002
81	9				400	50	9-13	325-36366-003
81	9				380	60	12-18	325-36366-004
81	9		10	10	200	60	23-32	325-36366-006
81	9				230	60	23-32	325-36366-006
81	9				460	60	12-18	325-36366-004
81	9				575	60	9-13	325-36366-003
81	9				400	50	12-18	325-36366-004
81	9				380	60	12-18	325-36366-004
81	9		15	15	200	60	37-50	325-36366-008
81	9				230	60	37-50	325-36366-008
81	9				460	60	16-24	325-36366-005
81	9				575	60	12-18	325-36366-004
81	9				400	50	23-32	325-36366-006
81	9				380	60	23-32	325-36366-006
81	9	90-105	20	200	60	48-65	325-36366-009	
81	9			230	60	48-65	325-36366-009	
81	9			460	60	23-32	325-36366-006	
81	9			575	60	16-24	325-36366-005	
81	9			400	50	30-38	325-36366-007	
81	9			380	60	30-38	325-36366-007	



DETAIL B

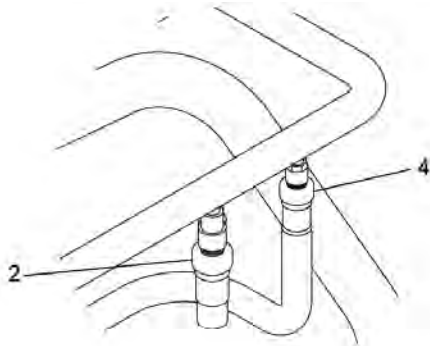


DETAIL A

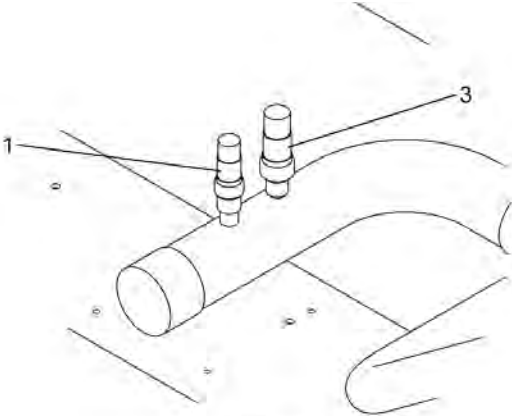


LD11895

FIG. 74 - SUCTION AND DISCHARGE PRESSURE TRANSDUCERS AND SAFETY SWITCHES (50-65 TON)



DETAIL B



DETAIL A

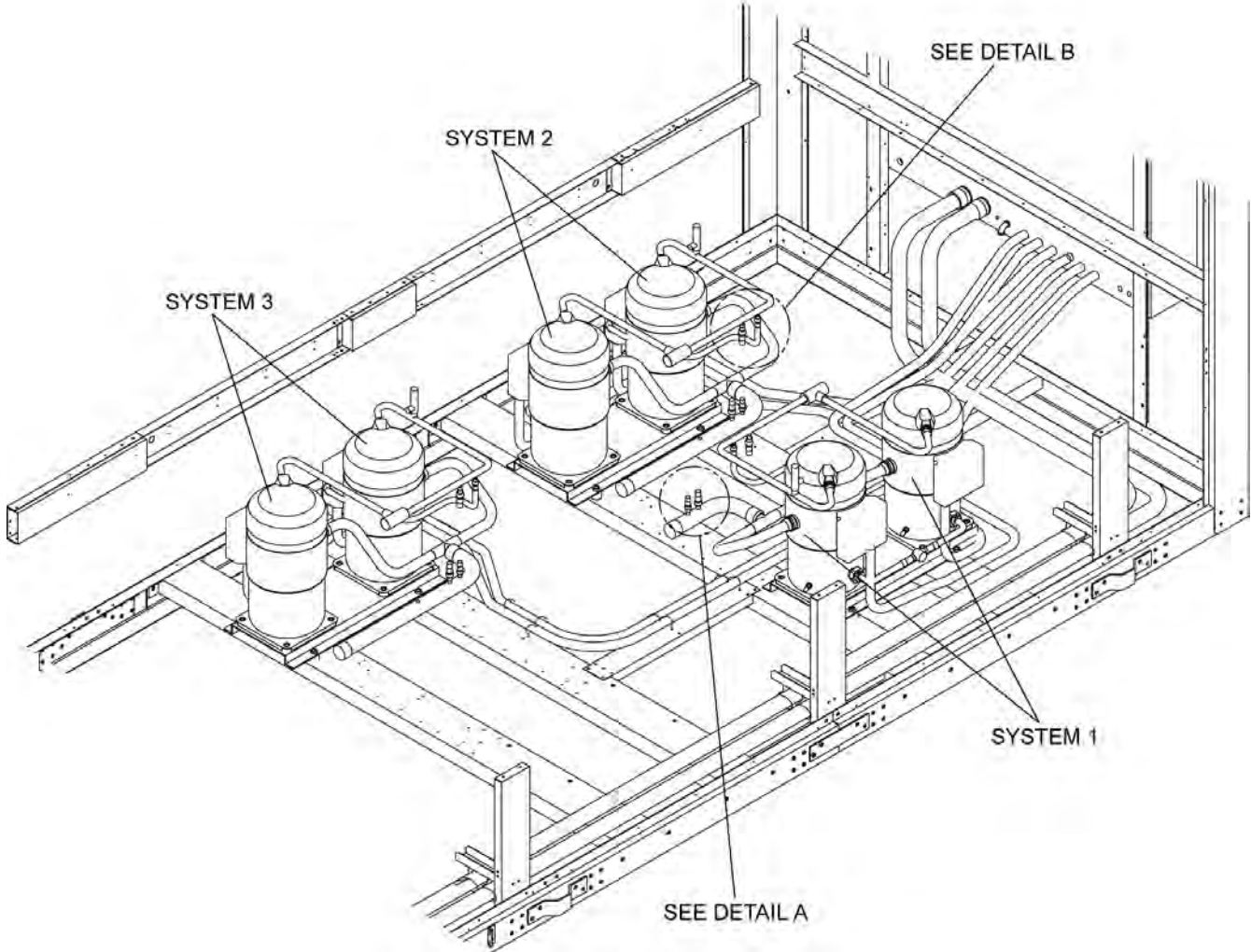
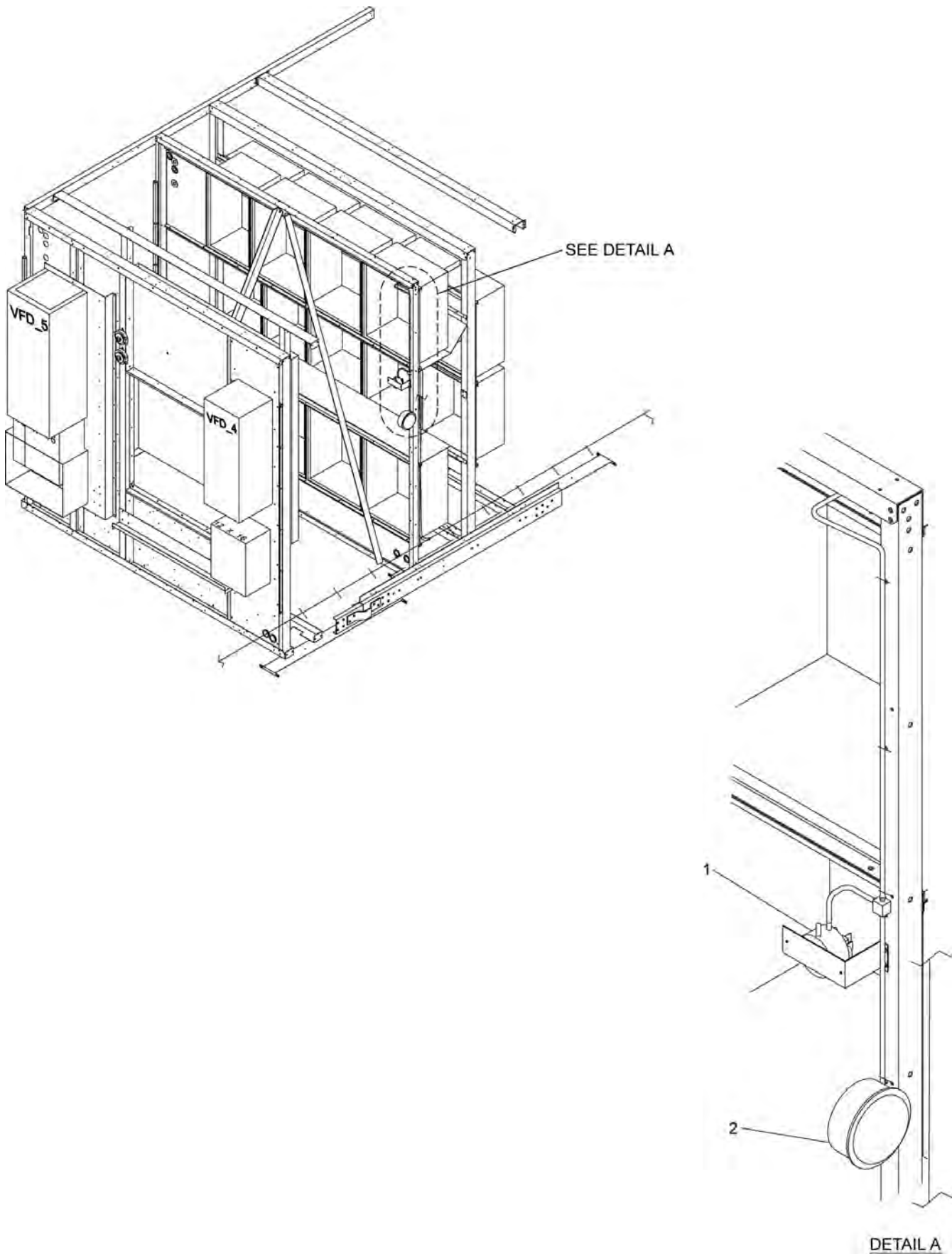
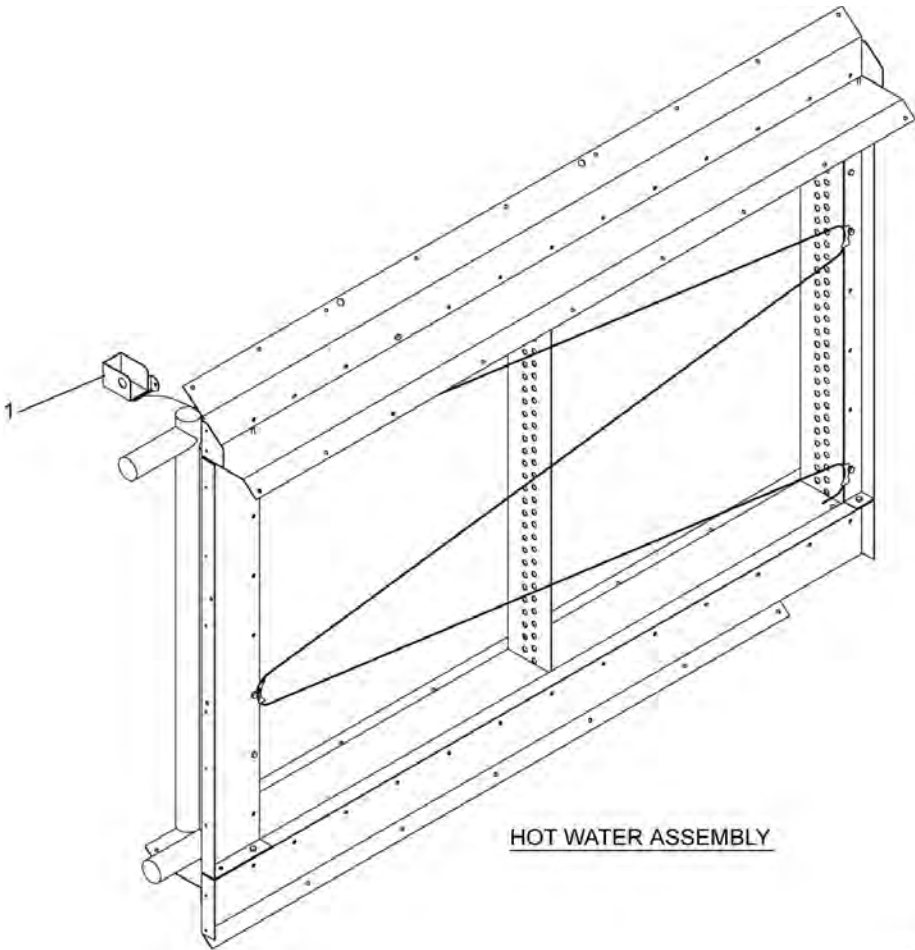


FIG. 75 - SUCTION AND DISCHARGE PRESSURE TRANSDUCERS AND SAFETY SWITCHES (70-105 TON)

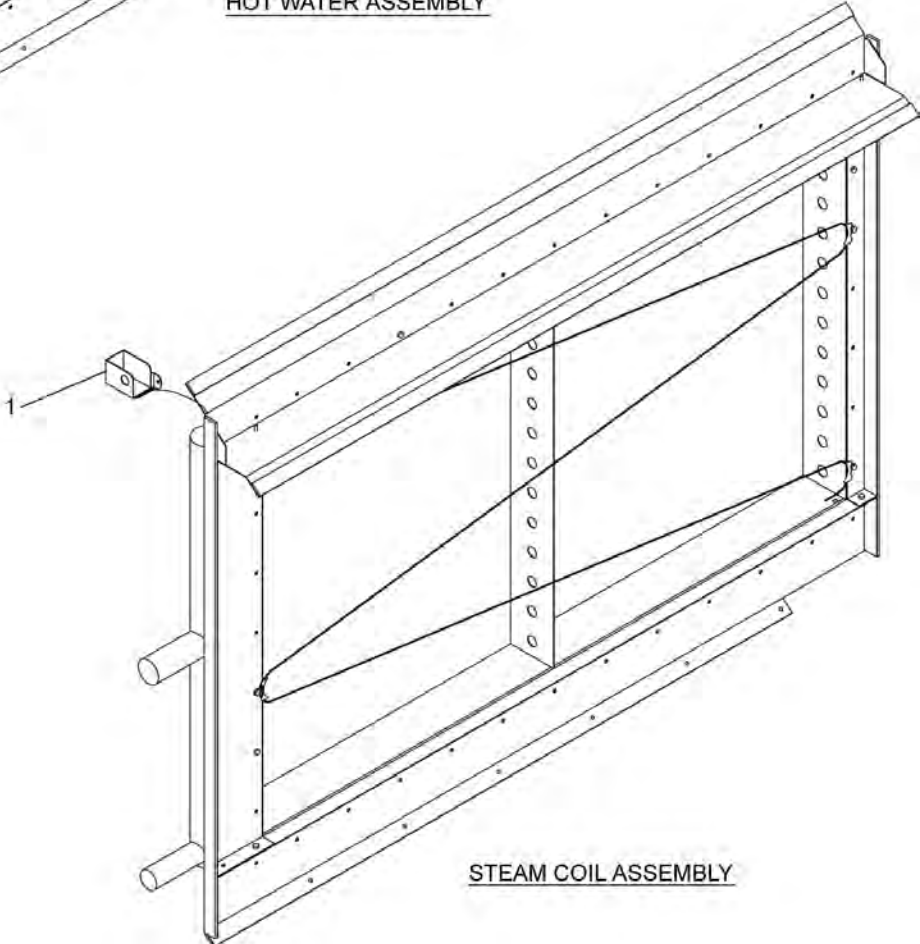


LD11897

FIG. 76 - DIRTY FILTER SWITCH AND MAGNEHELIC GAUGE (EXTENDED CABINET)

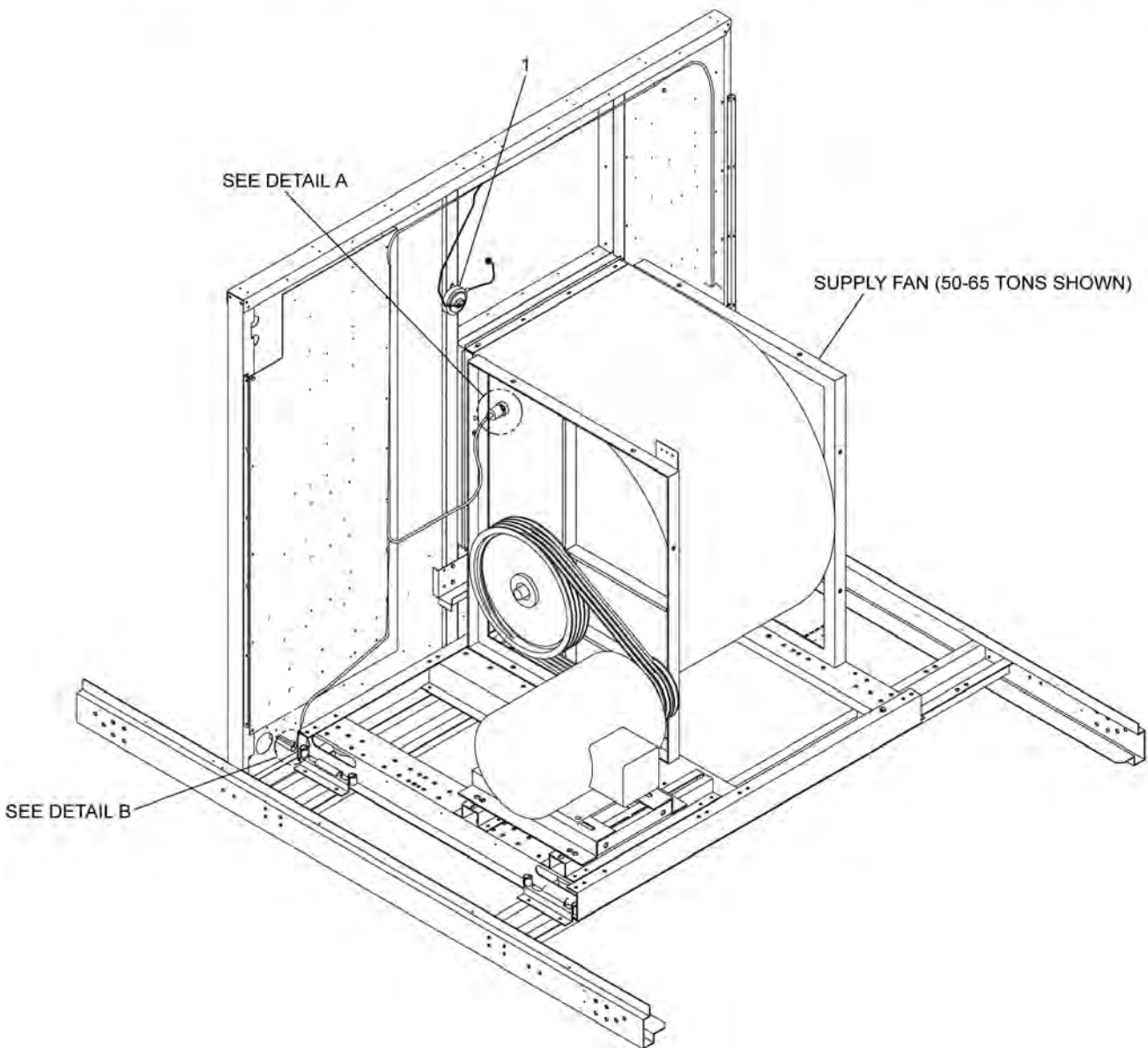
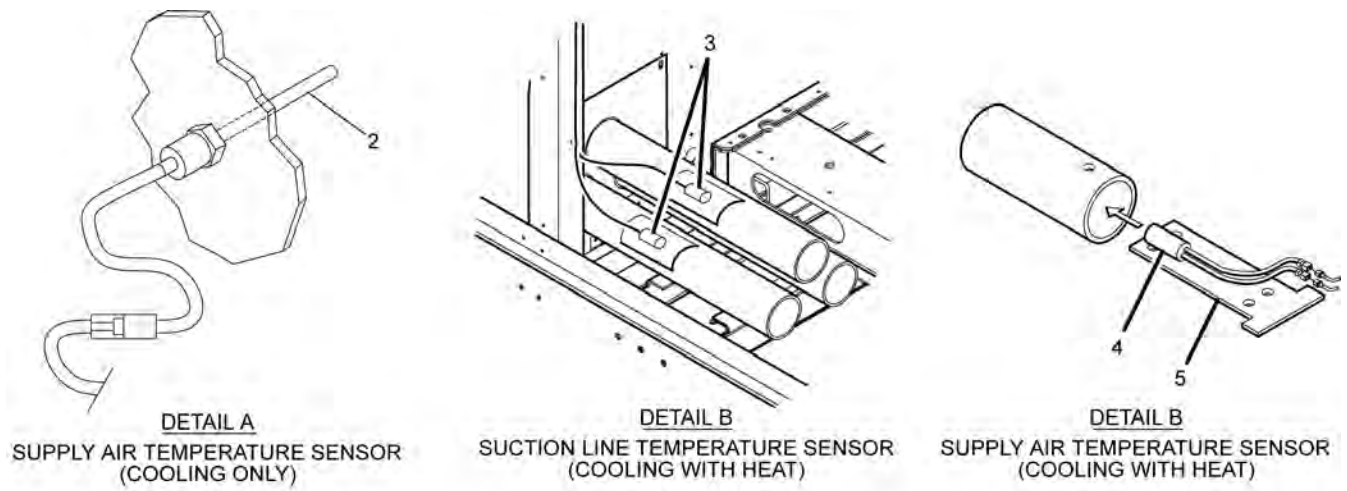


HOT WATER ASSEMBLY



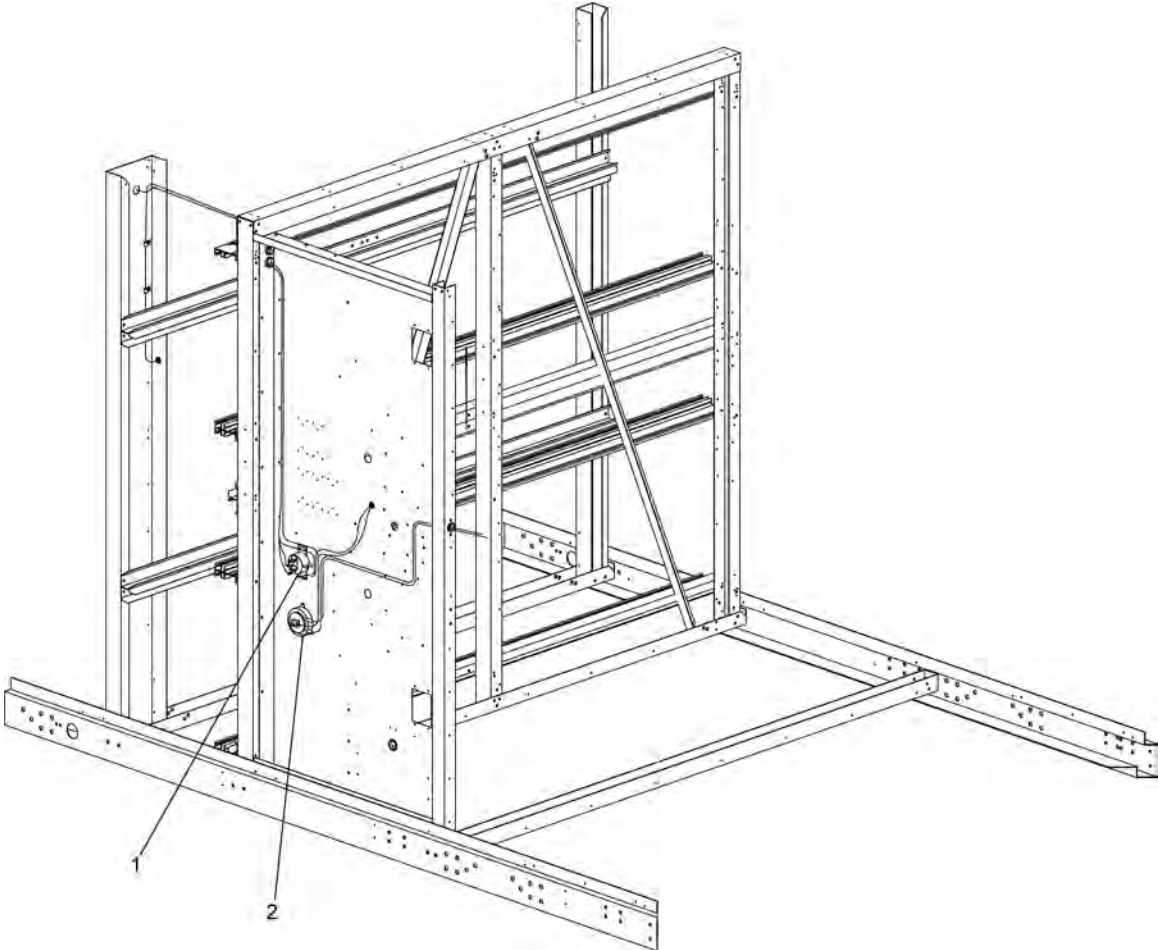
STEAM COIL ASSEMBLY

FIG. 77 - HOT WATER AND STEAM HEAT FREEZESTAT



LD11899A

FIG. 78 - AIR PROVING SWITCH AND SUPPLY AIR TEMPERATURE SENSOR



LD11903

FIG. 79 - DIRTY FILTER AND NEGATIVE PRESSURE SWITCHES

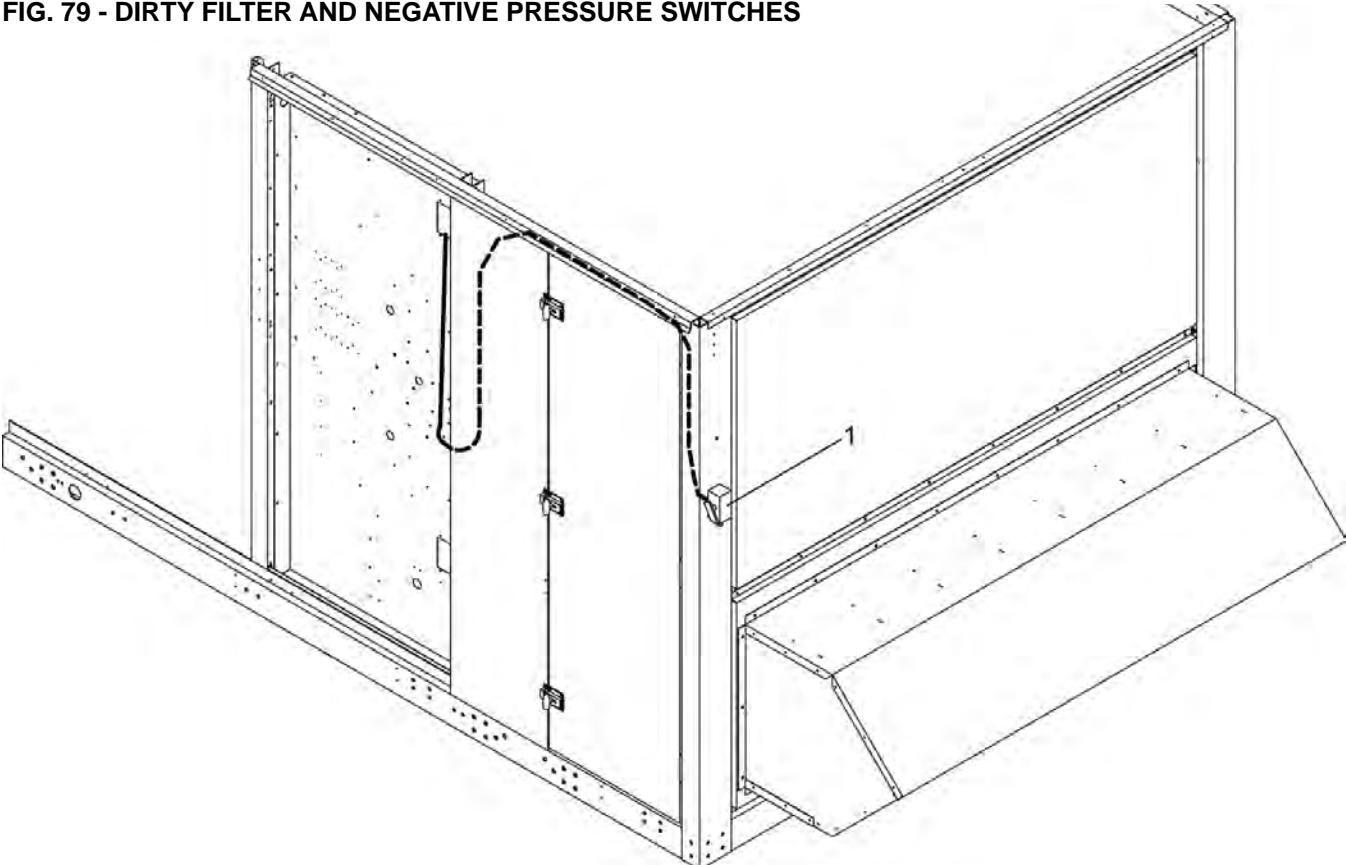
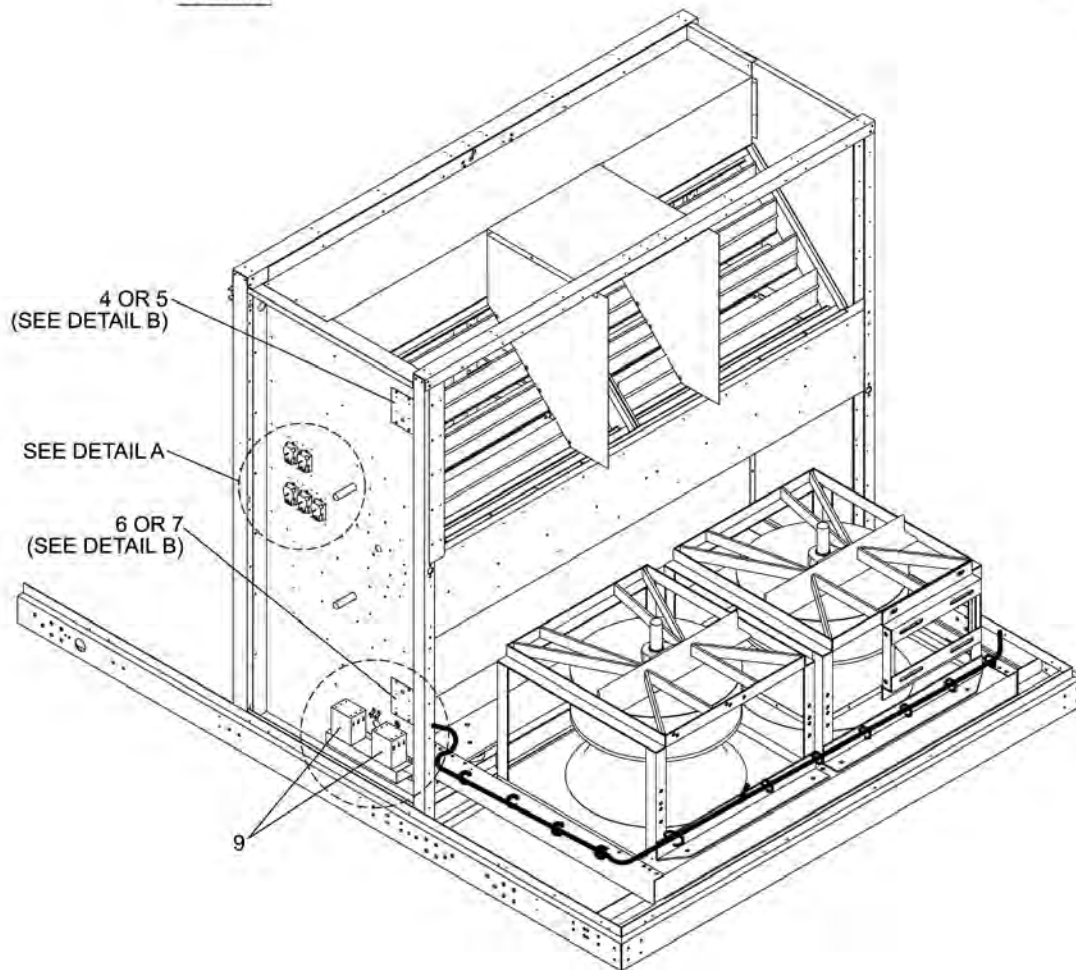
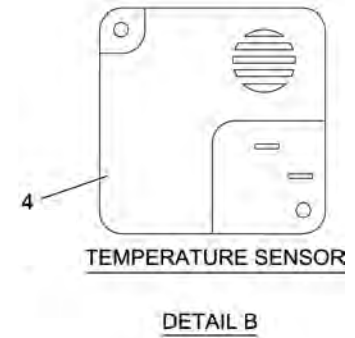
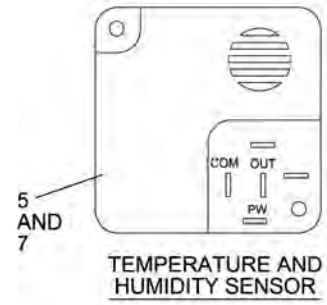
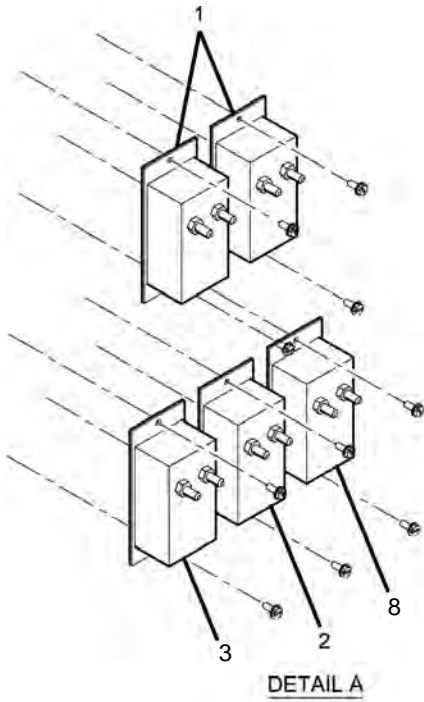


FIG. 80 - OUTSIDE AIR TEMPERATURE SENSOR (EXTERNAL)



LD11904

FIG. 81 - ECONOMIZER SECTION TRANSDUCERS AND SENSORS

TABLE 92 - MISCELLANEOUS

FIG	ITEM	DESCRIPTION	PART NUMBER
82	1	CONVENIENCE OUTLET KIT, 200V	325-36142-011
82	1	CONVENIENCE OUTLET KIT, 230V	325-36142-012
82	1	CONVENIENCE OUTLET KIT, 460V	325-36142-014
82	1	CONVENIENCE OUTLET KIT, 575V	325-36142-015
82	2	INTERNAL LIGHT KIT, 200/230/460/575	TBD
82	3	OUTDOOR STATIC PRESSURE KIT	385-00514-202
82	4	PRESSURE PROBE, OUTDOOR STATIC	025-36186-000
82	5	BOX, JUNCTION, WATERTIGHT, 4X4	025-40191-000

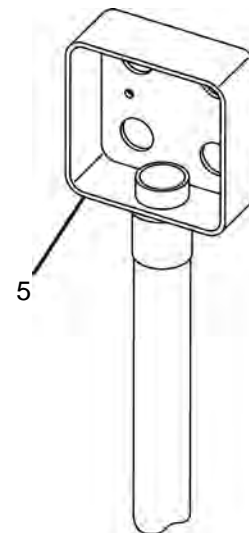
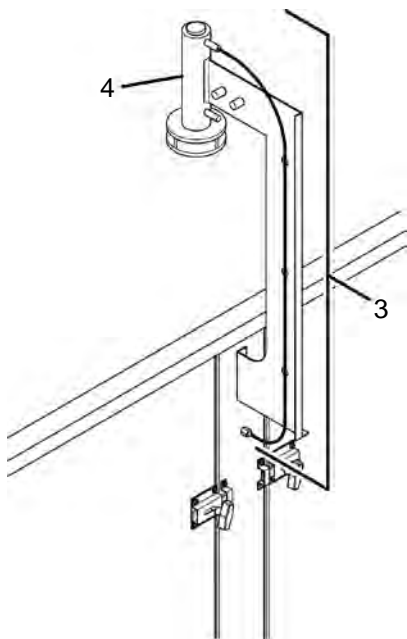
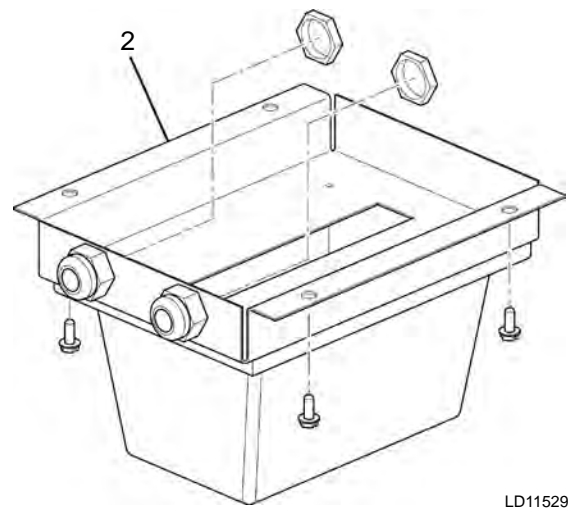
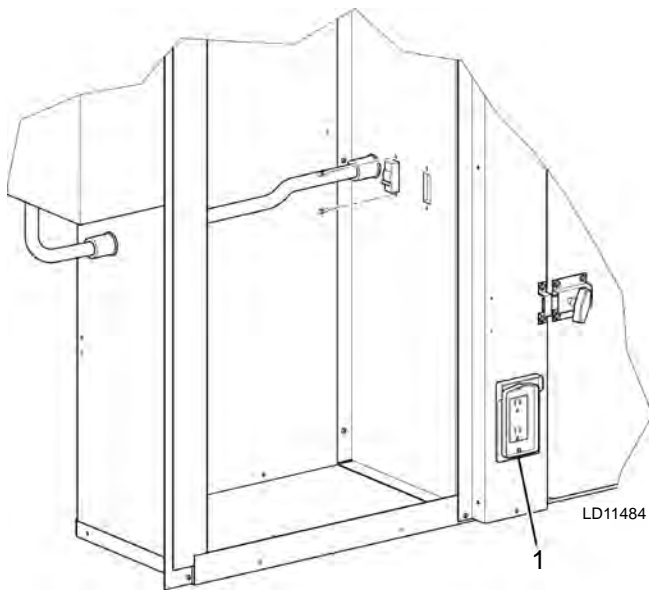


FIG. 82 - MISCELLANEOUS KITS

