



**AIR-COOLED SCREW
LIQUID CHILLERS**

REPLACEMENT PARTS

Supersedes: 201.28-RP2 (616)

Form 201.28-RP2 (1216)

**MODEL YVAA
STYLE A AND B
WITH VARIABLE SPEED DRIVE
2 COMPRESSOR
FRAME SIZE 015 - 052
50 AND 60 HZ
(MANUFACTURED APRIL 2012 THROUGH SEPTEMBER 2014)**



LD15045

**150 - 500 TONS
525 - 1750 KW
HFC-134A**

Issue Date:
December 5, 2016



IMPORTANT!

READ BEFORE PROCEEDING!

GENERAL SAFETY GUIDELINES

This equipment is a relatively complicated apparatus. During rigging, installation, operation, maintenance, or service, individuals may be exposed to certain components or conditions including, but not limited to: heavy objects, refrigerants, materials under pressure, rotating components, and both high and low voltage. Each of these items has the potential, if misused or handled improperly, to cause bodily injury or death. It is the obligation and responsibility of rigging, installation, and operating/service personnel to identify and recognize these inherent hazards, protect themselves, and proceed safely in completing their tasks. Failure to comply with any of these requirements could result in serious damage to the equipment and the property in

which it is situated, as well as severe personal injury or death to themselves and people at the site.

This document is intended for use by owner-authorized rigging, installation, and operating/service personnel. It is expected that these individuals possess independent training that will enable them to perform their assigned tasks properly and safely. It is essential that, prior to performing any task on this equipment, this individual shall have read and understood the on-product labels, this document and any referenced materials. This individual shall also be familiar with and comply with all applicable industry and governmental standards and regulations pertaining to the task in question.

SAFETY SYMBOLS

The following symbols are used in this document to alert the reader to specific situations:



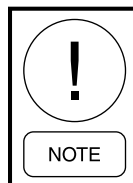
Indicates a possible hazardous situation which will result in death or serious injury if proper care is not taken.



Identifies a hazard which could lead to damage to the machine, damage to other equipment and/or environmental pollution if proper care is not taken or instructions are not followed.



Indicates a potentially hazardous situation which will result in possible injuries or damage to equipment if proper care is not taken.



Highlights additional information useful to the technician in completing the work being performed properly.



External wiring, unless specified as an optional connection in the manufacturer's product line, is not to be connected inside the control cabinet. Devices such as relays, switches, transducers and controls and any external wiring must not be installed inside the micro panel. All wiring must be in accordance with Johnson Controls' published specifications and must be performed only by a qualified electrician. Johnson Controls will NOT be responsible for damage/problems resulting from improper connections to the controls or application of improper control signals. Failure to follow this warning will void the manufacturer's warranty and cause serious damage to property or personal injury.

CHANGEABILITY OF THIS DOCUMENT

In complying with Johnson Controls' policy for continuous product improvement, the information contained in this document is subject to change without notice. Johnson Controls makes no commitment to update or provide current information automatically to the manual or product owner. Updated manuals, if applicable, can be obtained by contacting the nearest Johnson Controls Service office or accessing the Johnson Controls QuickLIT website at <http://cgproducts.johnsoncontrols.com>.

It is the responsibility of rigging, lifting, and operating/service personnel to verify the applicability of these documents to the equipment. If there is any question

regarding the applicability of these documents, rigging, lifting, and operating/service personnel should verify whether the equipment has been modified and if current literature is available from the owner of the equipment prior to performing any work on the chiller.

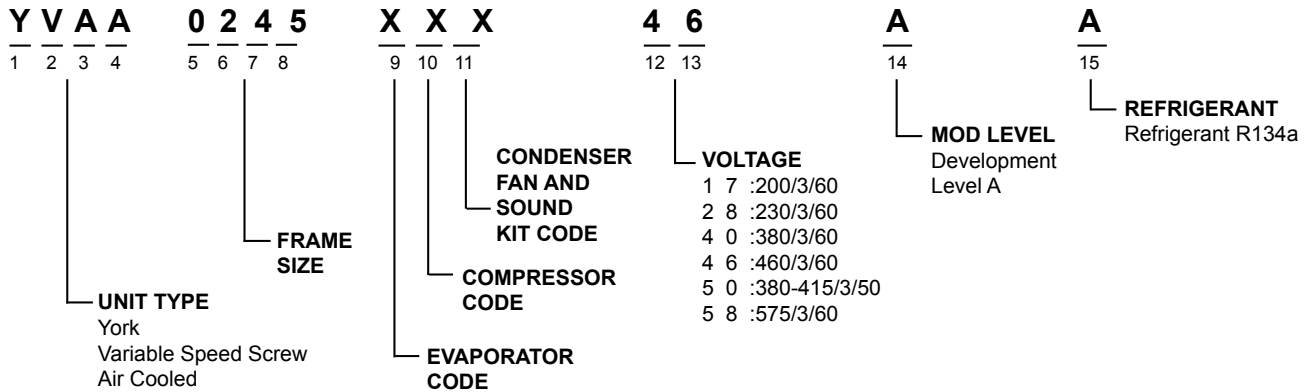
CHANGE BARS

Revisions made to this document are indicated with a line along the left or right hand column in the area the revision was made. These revisions are to technical information and any other changes in spelling, grammar or formatting are not included.

ASSOCIATED LITERATURE

MANUAL DESCRIPTION	FORM NUMBER
Equipment Pre-start and Startup Checklist	201.28-CL2
Installation, Operation, and Maintenance	201.28-NM1.1
Renewal Parts Style A (Manufactured before April 2012)	201.28-RP1
Renewal Parts Style B (Manufactured after September 2014)	201.28-RP3
Screw - Scroll Chiller Long Term Storage	50.20-NM7
All Products - Replacement Parts Electrical Connectors	50.20-RP1
All Products - Replacement Parts Fittings	50.20-RP2

NOMENCLATURE



MODEL AND SERIAL NUMBERS

In order to ensure that the correct replacement parts are supplied please provide your Johnson Controls Parts Center with the Model and Serial No. of your unit; these are detailed on the unit data plate shown on Figure 1 below.

A typical serial number could be:

RMRM016840

Where the four letters identify the location and time of manufacture and the 6 numbers (including the 0) are the serial number issued to the unit.

Model Number

The model number consists of the first 15 digits of the unit pin as shown above.

PIN

Table 1 details options that may fitted to your unit, the PIN on the unit data plate should be used to identify these options when ordering spare parts.

Serial Number

The serial number is a combination of four letters and the six numbers (see example below). It is important that both the letters and the number are provided.

Model/PIN		MOD		PIN		Serial #		SER		
Refrigerant	Max. Allowable Pressure -Bar (psig):			High Side	B	Low Side				
A	System Pressure Test On			High Side	E	Low Side	F			
OUTDOOR USE		Volt-Phase-Hertz	Utilization Range	Min. Circuit Ampacity	Max. Dual Element Fuse Size	Max. Circuit Breaker Size	Short Circuit Withstand			
Unit Power	Supply:	L	M	N	O	P	Q			
Protection Device Size - Amps				SYS No.		Compressor RLA		Fans		Refrigerant
System(s) No.	Min. Circuit Ampacity	Max. Dual Element Fuse Size	Max. Circuit Breaker Size		FLA	LRA	No.	Kg (lb)		
S13	1A	1B	1C	S1	1E	1G	1H	1I	1J	
				S2	2E	2G	2H	2I	2J	
				S3	3E	3G	3H	3I	3J	
S24	2A	2B	2C	S4	4E	4G	4H	4I	4J	
YORK INTERNATIONAL CORP. York, PA		029-24572-001 REV. F		Control Transformer:		No. Volts-Phase-Hertz	KVA	Unit Shipping Weight		
				X	LA	Y	Kg (lb)			
								Z		

LIST OF TABLES

TABLE 1 - Complete PIN Number Description	7
TABLE 2 - Control Panel.....	15
TABLE 3 - Control Panel Wiring.....	23
TABLE 4 - VSD Mounting Kit	24
TABLE 5 - Unit Assembly.....	27
TABLE 6 - Base Assembly	33
TABLE 7 - Condenser Coils	50
TABLE 8 - Evaporator Waterbox Heater Kits.....	53
TABLE 9 - Evaporator Waterbox Heater.....	54
TABLE 10 - Fan Components for Low Sound, Ultra Quiet and High Flow / High Static Fans	56
TABLE 11 - Piping Assembly 0153 / 0543	58
TABLE 12 - Piping Assembly 0165 / 0565	60
TABLE 13 - Piping Assembly 0178 / 0588	62
TABLE 14 - Piping Assembly 0183 / 0643	64
TABLE 15 - Piping Assembly 0195 / 0665	66
TABLE 16 - Piping Assembly 0198 / 0688	68
TABLE 17 - Piping Assembly 0200 / 0700	70
TABLE 18 - Piping Assembly 0213 / 0743	72
TABLE 19 - Piping Assembly 0215 / 0765	74
TABLE 20 - Piping Assembly 0218 / 0788	76
TABLE 21 - Piping Assembly 0233 / 0843	78
TABLE 22 - Piping Assembly 0245 / 0865	80
TABLE 23 - Piping Assembly 0248 / 0888	82
TABLE 24 - Piping Assembly 0263 / 0943	84
TABLE 25 - Piping Assembly 0273 / 0963	86
TABLE 26 - Piping Assembly 0275 / 0965	88
TABLE 27 - Piping Assembly 0278 / 0988	90
TABLE 28 - Piping Assembly 0295 / 1015	92
TABLE 29 - Piping Assembly 0303 / 1093.....	94
TABLE 30 - Piping Assembly 0305 / 1065	96
TABLE 31 - Piping Assembly 0308 / 1088	98
TABLE 32 - Piping Assembly 0318 / 1188	100
TABLE 33 - Piping Assembly 0323 / 1143	102
TABLE 34 - Piping Assembly 0333 / 1173	104
TABLE 35 - Piping Assembly 0343 / 1193.....	106
TABLE 36 - Piping Assembly 0345 / 1215	108
TABLE 37 - Piping Assembly 0373 / 1343	110
TABLE 38 - Piping Assembly 0413 / 1443	112
TABLE 39 - Piping Assembly 0443 / 1543	114
TABLE 40 - Piping Assembly 0475 / 1665	116
TABLE 41 - Piping Assembly 0483 / 1693	118
TABLE 42 - Piping Assembly 0500 / 1700	120
TABLE 43 - Piping Assembly 0523 / 1843	122
TABLE 44 - Glycol Loop Components	124
TABLE 45 - Standard Compressor (Pin 12 & 13 = 40, 42, 50, Pin 20 = X, Pin 38 = S).....	125
TABLE 46 - Optimized Compressor (Pin 12 & 13 = 40, 42, 50, Pin 20 = X, Pin 38 = V)	126
TABLE 47 - Standard Compressor with High Ambient Kit (Pin 12 & 13 = 40, 42, 50, Pin 20 = H, Pin 38 = S).....	127
TABLE 48 - Optimized Compressor With High Ambient Kit (Pin 12 & 13 = 40, 42, 50, Pin 20= H, Pin 38 = V) ..	128
TABLE 49 - Standard Compressor (Pin 12 & 13 = 17, 28, 46, 58 Pin 20= X, Pin 38 = S).....	129
TABLE 50 - Optimized Compressor (Pin 12 & 13 =17, 28, 46, 58, Pin 20 = X, Pin 38 = V)	130
TABLE 51 - Compressor Components.....	132
TABLE 52 - ASME Insulated Cooler	133
TABLE 53 - PED Insulated Cooler	135
TABLE 54 - Louvered Enclosure Kits.....	136

LIST OF TABLES (CONT'D)

TABLE 55 - Louvered and Wire/Louvered Enclosure Kit Components - Top.....	139
TABLE 56 - Louvered and Wire/Louvered Enclosure Kit Components - Bottom	147
TABLE 57 - Louvered Enclosure (Cond. Only)	159
TABLE 58 - End Louver (Hail Guard)	168
TABLE 59 - V-Guard (Only) Panel Enclosures	170
TABLE 60 - V-Guard Plus Hail Guard	173
TABLE 61 - Flash Tank Oil Separator	174
TABLE 62 - Pressure Relief	177
TABLE 63 - Pressure Switch Components	179
TABLE 64 - Weld Victaulic Flange	180
TABLE 65 - Single Point Wiring Option Kit	182
TABLE 66 - Wire Enclosure Kit.....	184
TABLE 67 - Wire Enclosure Kit Components - Top.....	186
TABLE 68 - Wire Enclosure Kit Components - Bottom	190
TABLE 69 - Acoustical Arrangement.....	195
TABLE 70 - Top Edge Guard Kit	197
TABLE 71 - Top Edge Guards.....	198
TABLE 72 - Vibration Isolators.....	201
TABLE 73 - Autotransformer	202
TABLE 74 - Language Kits.....	202
TABLE 75 - Flow Switch	203
TABLE 76 - Differential Pressure Switch	203
TABLE 77 - Thermal Dispersion Switch.....	203
TABLE 78 - E-Link	203
TABLE 79 - EPROM	203
TABLE 80 - SI Metric Conversion	204

TABLE 1 - COMPLETE PIN NUMBER DESCRIPTION

FEATURE	FEATURE DESCRIPTION	OPTION	OPTION DESCRIPTION
MODEL	Model (PIN 1)	Y	York
COMPRTYP	Compressor Type (PIN 2)	V	Variable Speed Screw
CHILLERTYP	Chiller Type (PIN 3)	A	Air-cooled Chiller
DESIGNSER	Design Series (PIN 4)	A	Design Series
UNTDSG	Unit Designator (PIN 5-8) (PINS 5 through 7 are the Frame Size)	0153	0153 / 0543
		0543	
		0183	0183 / 0643
		0643	
		0213	0213 / 0743
		0743	
		0233	0233 / 0843
		0843	
		0263	0263 / 0943
		0943	
		0273	0273/0963
		0963	
		0303	0303 / 1093
		1093	
		0323	0323/1143
		1143	
		0333	0333/1173
		1173	
		0343	0343 / 1193
		1193	
		0373	0373 / 1343
		1343	
		0413	0413 / 1443
		1443	
		0443	0443 / 1543
		1543	
0483	0483 / 1693		
1693			
0523	0523 / 1843		
1843			
0165	0165 / 0565		
0565			

Note: * Option has not yet been designed

TABLE 1 - COMPLETE PIN NUMBER DESCRIPTION (CONT'D)

FEATURE	FEATURE DESCRIPTION	OPTION	OPTION DESCRIPTION
UNTDSG (Cont'd)	Unit Designator (PIN 5-8) (PINS 5 through 7 are the Frame Size) (Cont'd)	0195	0195 / 0665
		0665	
		0215	0215 / 0765
		0765	
		0245	0245 / 0865
		0865	
		0275	0275 / 0965
		0965	
		0295	0295 / 1015
		1015	
		0305	0305 / 1065
		1065	
		0345	0345 / 1215
		1215	
		0375	0375 / 1315
		1315	
		0425	0425 / 1515
		1515	
		0475	0475 / 1665
		1665	
		0178	0178 / 0588
		0588	
		0198	0198 / 0688
		0688	
		0218	0218 / 0788
		0788	
		0248	0248 / 0888
		0888	
		0278	0278 / 0988
		0988	
		0308	0308 / 1088
		1088	
0318	0338 / 1188		
1188			
0368	0368 / 1288		
1288			
0398	0398 / 1388		
1388			
0428	0428 / 1488		
1488			
0200	0200 / 0700		
0700			
0500	0500 / 1750		
1750			

Note: * Option has not yet been designed

TABLE 1 - COMPLETE PIN NUMBER DESCRIPTION (CONT'D)

FEATURE	FEATURE DESCRIPTION	OPTION	OPTION DESCRIPTION
FLOADEFF	Full Load Efficiency (PIN 9)		For Marketing Purposes Only
PLOADEFF	Part Load Efficiency (PIN 10)		For Marketing Purposes Only
SOUND	Sound (PIN 11)		For Marketing Purposes Only
VOLTAGE	Voltage (PIN 12, 13)	17	200/3/60
		28	230/3/60
		40	380/3/60
		42	400/3/60
		46	460/3/60
		50	380-415/3/50
58	575/3/60		
MODLVL	Modification Level (PIN 14)	B	Modification Level
REF	Refrigerant (PIN 15)	A	R-134a Refrigerant
STARTERTYP	Starter Type (PIN 16)	V	Standard VSD
		R*	VSD with Active Filter
		Q	Special quote
POWERFLD	Power Field (PIN 17)	B	SP Circuit Breaker w/ Lockable Handle
		D	MP Supply TB
		M	MP Circuit Breaker w/Lockable Handle
		N	SP NF Disconnect Switch w/Lockable Handle
		P	MP NF Disconnect Switch w/ Lockable Handle
		S	SP Supply TB
Q	Special quote		
PIN18	PIN 18	X	No selection
		Q	Special quote
PANELOPT	Panel Options (PIN 19)	X	No selection
		O	Convenience outlet
		M*	Convenience Outlet with KW meter
		W*	KW meter
Q	Special quote		
AMB	Ambient Kits PIN 20	X	No selection
		B*	Both Low and High Ambient kits
		H	High Ambient kit
		L*	Low Ambient kit
Q	Special quote		
BAS	BAS Reset/Offset (PIN 21)	X	No selection
		B	BAS/EMS Both Temp and Current Reset/Offset
		C	BAS/EMS Current Reset/Offset
		E	BACNet Elink Kit (factory mounted)
		L	LON E-Link Kit (factory mounted)
		T	BAS/EMS Temp Reset/Offset
Q	Special quote		

Note: * Option has not yet been designed

TABLE 1 - COMPLETE PIN NUMBER DESCRIPTION (CONT'D)

FEATURE	FEATURE DESCRIPTION	OPTION	OPTION DESCRIPTION
LANGDESP	Language/Display (PIN 22)	A	English
		C	English LCD with Chinese keypad overlay
		E*	Chinese
		F	French
		G	German
		H	Hungarian
		I	Italian
		J*	Japanese
		K*	Korean
		L	Polish
		N*	Dutch
		P	Portuguese
		R*	Russian
		S	Spanish
		W*	Swedish
		Z*	Czech
Q*	Special quote		
SYSPARM	System Parameter (PIN 23)	X	No selection
		K	Quick Start
		M	Quick Start and Silent Night / Load limiting control option
		N	Silent Night sound / Load limiting control option
		Q	Special quote
SAFETYCDE	Safety Code (PIN 24)	C	European Safety Code (CE)
		G	China Safety Code (GB)
		L	N. American Safety Code (cUL/cETL)
		Q	Special Safety Code
SENSOR	Sensor (PIN 25)	X	No selection
		Q	Special quote
PUMPCTRL	Pump Control (PIN 26)	X	No selection
		Q	Special quote
REMOTEPNL	Remote Panel (PIN 27)	X	No selection
		O*	Optiview Remote Control Panel
		Q	Special quote
SEQCTRL	Sequence Control (PIN 28)	X	No selection
		S*	Sequence Control and Automatic Lead Transfer = {seq}
		Q	Special quote
PIN29	PIN 29	X	No selection
		Q	Special quote
PIN30	PIN 30	X	No selection
		Q	Special quote
LWT	Leaving Water Temp (PIN 31, 32)	TS*	Thermal storage

Note: * Option has not yet been designed

TABLE 1 - COMPLETE PIN NUMBER DESCRIPTION (CONT'D)

FEATURE	FEATURE DESCRIPTION	OPTION	OPTION DESCRIPTION
PIPECODE	Piping Code (PIN 33)	X	No selection
		C	Chicago Code Relief
		R	Dual Relief Valves
		Q	Special quote
METERDEV	Metering Device (PIN 34)	E*	EEV
		O	Orifice
		Q	Special quote
VALVEOPT	Valve Options (PIN 35)	X	No selection
		F	Suction and filter dryer service valve
		S	Suction service valve
		Q	Special quote
PIN36	PIN 36	X	No selection
		Q	Special quote
PIN37	PIN 37	X	No selection
		Q	Special quote
CPRVAR	Compressor Variation (PIN 38)	S	Standard Compressor
		V	Optimized Compressor
		Q	Special quote
CPRFQ	Compressor Frequency (PIN 39, 40, 41)	NUM	Compressor Frequency = {CNUM}
		QQQ	Special quote
HTR	Heaters (PIN 42)	X	No selection
		W	Water box heaters
		Q	Special quote
DWP	DWP (PIN 43)	1	150psig DWP Waterside
		3	300psig DWP Waterside
		Q	Special quote
INS	Insulation (PIN 44)	D	Double Thickness
		S	Single Thickness
		Q	Special quote
SHPLOSFLG	Ship Loose Flange Kit (PIN 45)	X	No selection
		F	Victaulic Flanges with welded mating flanges (4 shipped loose)
		M	Weldable flanges with mating weldable flanges (4 shipped loose)
		V	Victaulic Flanges (2 shipped loose)
		W	Weldable flanges (2 shipped loose)
		Q	Special quote

Note: * Option has not yet been designed

TABLE 1 - COMPLETE PIN NUMBER DESCRIPTION (CONT'D)

FEATURE	FEATURE DESCRIPTION	OPTION	OPTION DESCRIPTION
FLOW	Flow Switch (PIN 46)	X	No selection
		D	One Differential Pressure Switch
		E	Two Differential Pressure Switches
		F	Three Differential Pressure Switches
		G	One Thermal Dispersion Switch
		H	Two Thermal Dispersion Switch
		I	Three Thermal Dispersion Switch
		S	One Flow Switch
		T	Two Flow Switches
		U	Three Flow Switches
		Q	Special quote
VESSEL	Vessel Codes (PIN 47)	A	ASME Pressure Vessel Codes
		E	PED Pressure Vessel Codes
		G	GB Pressure Vessel Codes
		Q	Special quote
CLR	Cooler (PIN 48)	1	Integral One Water Pass Cooler
		2	Integral Two Water Pass Cooler
		3	Integral Triple Water Pass Cooler
		A*	Remote One Water Pass Cooler
		B*	Remote Two Water Pass Cooler
		C*	Remote Triple Water Pass Cooler
		Q	Special quote
EVAPCONN	Evaporator Connection location (PIN 49)	B	Back Fluid Inlet Connection (opposite control panel end)
		F	Front Fluid Inlet Connection (control panel end)
		Q	Special quote
COILS	Coils (PIN 50)	A	Copper tube aluminum fin coils
		B	Pre-Coated Slit-Fin Coils (tube and fin)
		C	Copper Fin Coils (tube and fin)
		E	Pre-Coated Non-Slit Fin Coils (tube and fin)
		M	Microchannel coils
		N	Post-coated Microchannel coils
		P	Post-Coated Dipped Coils (tube and fin)
		Q	Special quote
PIN51	PIN 51	X	No selection
		Q	Special quote

Note: * Option has not yet been designed

TABLE 1 - COMPLETE PIN NUMBER DESCRIPTION (CONT'D)

FEATURE	FEATURE DESCRIPTION	OPTION	OPTION DESCRIPTION
FANTYP	Fan Type (PIN 52)	F	Low Sound Fans
		G	High Airflow Fans
		H	High Static Fans
		K	High Airflow Fans with Variable Speed Control
		L	Ultra Quiet Fans
		M	Ultra Quiet Fans with Variable Speed Control
		V	Low Sound Fans with Variable Speed Control
		W*	Whisper Quiet Fans
		Z*	Whisper Quiet Fans with Variable Speed Control
		Q	Special quote
ENCLPNL	Enclosure Panels (PIN 53)	X	No selection
		1	Wire (Full Unit) Encl Panels (factory)
		2*	Wire (Full Unit) Encl Panels (field)
		3	Wire/Louvered Encl Panels (factory)
		4*	Wire/Louvered Encl Panels (field)
		5	Louvered (cond only) Encl Panels (factory)
		6*	Louvered (cond only) Encl Panels (field)
		7	Louvered (full unit) Encl Panels (factory)
		8*	Louvered (full unit) Encl Panels (field)
		9	End Louver (End Hail Guard) Encl Panels (Factory)
		A*	End Louver (End Hail Guard) Encl Panels(Field)
		B	V-Guard Panels only (factory)
		C*	V-Guard Panels only (field)
		D	V-Guard Panels plus Hail Guards (factory)
		E*	V-Guard Panels plus Hail Guards (field)
		F	Top Edge Guard (factory)
		G*	Top Edge Guard (field)
		P	Rear Protection Kit (factory)
		R*	Rear Protection Kit (field)
		Q	Special quote
NOISERDCT	Noise Reduction Kit (PIN 54)	X	No selection
		E	Economical Low Noise kit
		N	Low Noise kit (level 2 reduction) (factory)
		R	Low Noise kit (level 1 reduction) (factory)
		U*	Low Noise kit (level 3 reduction) (factory)
		A	Low Noise kit (Basic) (factory)
		Q	Special quote
ISOL	Vibration Isolators (PIN 55)	X	No selection
		1	1" Deflection Isolators
		N	Neoprene Isolators
		S	Seismic Isolators
		Q	Special quote

Note: * Option has not yet been designed

TABLE 1 - COMPLETE PIN NUMBER DESCRIPTION (CONT'D)

FEATURE	FEATURE DESCRIPTION	OPTION	OPTION DESCRIPTION
STRMOD	Structural Modification (PIN 56)	X	No selection
		D	Unit shipped in two pieces
		S*	Seismic Unit
		Q	Special quote
PIN57	PIN 57	X	No selection
		Q	Special quote
SPAPP	Special Applications (PIN 58)	X	No selection
		D	Desuperheater
		F*	Free cooling
		H*	Full heat recovery
		Q	Special quote
PMPPKG	Pump Package (PIN 59)	X	No selection
		Q	Special quote
PMPPKGOPT	Pump Package options (PIN 60)	X	No Selection
		Q	Special quote

Note: * Option has not yet been designed

TABLE 2 - CONTROL PANEL

ITEM	MODELS	VOLTAGE CODE	FANS	DESCRIPTION	PART NUMBER	SAP NUMBER
5	0153/0543 thru 0278/0988	ALL	ALL	Relay, Control, DPST-NO, 120 VAC	024-30441-000	664298
	0303/1093 thru 0523/1843	40, 46, 50, 58				
7	0153/0543 thru 0278/0988	ALL	ALL	Transformer, Class 2	025-27911-000	1312
	0303/1093 thru 0523/1843	40, 46, 50, 58				
8	0153/0543 thru 0278/0988	ALL	ALL	Shielded, 2 Compressor, Right	071-05183-000	749197
	0303/1093 thru 0345/1215	40, 46, 50, 58		Shield, 3 Compressor, Right	071-05187-000	749199
	0373/1343 thru 0523/1843	40, 50		Shield Right Side E/F	071-06161-000	897693
9	0153/0543 thru 0278/0988	ALL	ALL	Shielded, 2/3 Compressor	071-05184-000	749198
	0303/1093 thru 0345/1215	40, 46, 50, 58			Shield Left Side E/F	071-06160-000
	0373/1343 thru 0523/1843	40, 50				
15	0153/0543 thru 0278/0988	ALL	ALL	Fuseholder-Modular, 1-Pole	025-39951-000	359985
	0303/1093 thru 0523/1843	40, 46, 50, 58				
17	0153/0543 thru 0278/0988	ALL	ALL	Control, Voltage	031-02453-000	743895
	0303/1093 thru 0523/1843	40, 46, 50, 58				
20	0153/0543 thru 0278/0988	ALL	ALL	Control Relay Board	031-02479-001	340702
	0303/1093 thru 0523/1843	40, 46, 50, 58				
22	0153/0543 thru 0278/0988	ALL	ALL	Resistor, Power Wirewound	025-35953-000	117824
	0303/1093 thru 0523/1843	40, 46, 50, 58				
23	0153/0543 thru 0278/0988	ALL	ALL	Capacitor, DV/DT Network	025-39806-000	251765
	0303/1093 thru 0523/1843	40, 46, 50, 58				
25	0153/0543 thru 0278/0988	ALL	ALL	Thermal Pad, Resistor, 3/4" Wide	028-15299-000	742121
	0303/1093 thru 0523/1843	40, 46, 50, 58				
28	0153/0543 thru 0278/0988	ALL	ALL	Control, System	331-03478-101	5003221
	0303/1093 thru 0523/1843	40, 46, 50, 58				
31	0153/0543 thru 0278/0988	ALL	ALL	Control, Tme Bus Isolator	031-01624-000	743779
	0303/1093 thru 0345/1215	40, 46, 50, 58				
32	0153/0543 thru 0278/0988	ALL	ALL	Gasket, Field Power	028-15246-000	742105
	0303/1093 thru 0523/1843	40, 46, 50, 58				
33	0153/0543 thru 0278/0988	ALL	ALL	Gasket, Customer Connection	028-15247-000	742106
	0303/1093 thru 0523/1843	40, 46, 50, 58				
34	0153/0543 thru 0278/0988	ALL	ALL	Gasket, Circuit Breaker, 2 Compressor	028-15824-000	651576
	0303/1093 thru 0523/1843	40, 46, 50, 58		Gasket, Circuit Breaker	028-15248-000	742107
35	0153/0543 thru 0278/0988	ALL	ALL	Gasket, Auto Transformer	028-15249-000	742108
	0303/1093 thru 0523/1843	40, 46, 50, 58				
37	0153/0543 thru 0278/0988	ALL	ALL	Gasket, Coil Drive	028-15251-000	742109
	0303/1093 thru 0523/1843	40, 46, 50, 58				
41	0153/0543 thru 0278/0988	ALL	ALL	Cable, Trigger To Gate	571-04178-251	427924
	0303/1093 thru 0345/1215	40, 46, 50, 58				
42	0153/0543 thru 0278/0988	ALL	ALL	Cable, Gate Driver	571-04178-281	427925
	0303/1093 thru 0345/1215	40, 46, 50, 58		Cable, Gate-Logic, "D"		
	0373/1343 thru 0523/1843	40, 50		Control VSD Logic Brd	031-02507-002	743922
43	0153/0543 thru 0278/0988	ALL	ALL	Cable, Gate Driver	571-04178-282	427926
	0303/1093 thru 0345/1215	40, 46, 50, 58		Cable, Gate-Logic, "D"		

Refer to Figure 1

TABLE 2 - CONTROL PANEL (CONT'D)

ITEM	MODELS	VOLTAGE CODE	FANS	DESCRIPTION	PART NUMBER	SAP NUMBER	
58	0153/0543 thru 0278/0988	ALL	ALL	SD Card with Software, Control Board	031-03476-010	1201877	
	0303/1093 thru 0523/1843	40, 46, 50, 58					
59	0153/0543 thru 0278/0988	ALL	ALL	EPROM PWM GEN VSD	031-02522-001	743926	
	0303/1093 thru 0523/1843	40, 46, 50, 58		EPROM, Logic Board	031-02522-010	947512	
61	0153/0543 thru 0278/0988	ALL	ALL	Switch, Keypad	024-34930-000	247624	
	0303/1093 thru 0523/1843	40, 46, 50, 58					
62	0153/0543 thru 0278/0988	ALL	ALL	Display, LCD	031-02508-000	743925	
	0303/1093 thru 0523/1843	40, 46, 50, 58					
63	0153/0543 thru 0278/0988	ALL	ALL	Switch, DPST, Two Position	024-34951-000	736122	
	0303/1093 thru 0523/1843	40, 46, 50, 58					
68	0153/0543 thru 0278/0988	ALL	ALL	Cable, Ribbon, Display	571-04178-261	807007	
	0303/1093 thru 0345/1215	40, 46, 50, 58		Cable, Display/Control Board	571-04178-268	807013	
	0373/1343 thru 0523/1843	40, 50		Cable, Display To Micro	571-04178-266	807011	
69	0153/0543 thru 0278/0988	ALL	ALL	Cable, Ribbon, Keypad	571-04178-262	505907	
	0303/1093 thru 0345/1215	40, 46, 50, 58		Cable, Keypad/Control Board	571-04178-269	807014	
	0373/1343 thru 0523/1843	50		Cable Keypad To Micro	571-04178-267	807012	
70	0153/0543 thru 0278/0988	ALL	ALL	Cable, Ribbon, Relay	571-04178-263	807008	
	0303/1093 thru 0523/1843	40, 46, 50, 58					
72	ALL	ALL	ALL	Stepper Motor	031-02742-000	744082	
77	0153/0543 thru 0278/0988	ALL	ALL	Cable, Ribbon, Relay	571-04178-264	807009	
	0303/1093 thru 0523/1843	40, 46, 50, 58					
88	0153/0543 thru 0278/0988	ALL	ALL	Fuse, Semi Conductor	025-38523-000	739590	
	0303/1093 thru 0523/1843	40, 46, 50, 58					
90	0153/0543 thru 0278/0988	ALL	ALL	Fuse, Cartridge Type, 10 Amp	025-35905-000	739234	
	0303/1093 thru 0345/1215	40, 46, 50, 58		Base, Flat Cable Mount	025-42114-000	644641	
	0373/1343 thru 0523/1843	40, 50					
92	0153/0543 thru 0278/0988	ALL	ALL	Fuse, Cartridge Type, 15 Amp	025-34141-000	739008	
	0303/1093 thru 0523/1843	40, 46, 50, 58					
93	0153/0543 thru 0278/0988	ALL	ALL	Fuse, Cartridge Type, 20 Amp	025-35908-000	117823	
	0303/1093 thru 0345/1215	40, 46, 50, 58					
	0373/1343 thru 0523/1843	40, 50	ALL	Fuse, Cartridge Type 30 Amp	025-39683-000	739699	
94	0153/0543 thru 0278/0988	ALL	ALL	Fuse, Cartridge Type, 6 Amp	025-35902-000	264466	
	0303/1093 thru 0523/1843	40, 46, 50, 58					
95	0153/0543 thru 0278/0988	ALL	ALL	Fuse, Cartridge Type, 10 Amp	025-35905-000	739234	
152	0153/0543 thru 0178/0588	40	LS/UQ	Breaker, 500 Amp	371-05264-007	773865	
			HA/HS	Breaker, 600 Amp	371-05264-001	697260	
		50	LS/UQ	Breaker, 500 Amp	371-05264-007	773865	
			HA/HS				
	0153/0543 thru 0198/0688	46	ALL		Breaker, 600 Amp	371-05264-001	697260
				0213/0743 thru 0218/0788			
0153/0543 thru 0278/0988	28			Breaker, 1200 Amp	371-05264-003	773861	
	58			Breaker, 600 Amp	371-05264-004	773862	

Refer to Figure 1

TABLE 2 - CONTROL PANEL (CONT'D)

ITEM	MODELS	VOLTAGE CODE	FANS	DESCRIPTION	PART NUMBER	SAP NUMBER	
152	0183/0643 thru 0198/0688	40	LS/UQ	Breaker, 600 Amp	371-05264-001	697260	
	0213/0743 thru 0218/0788						
	0183/0643 thru 0198/0688	40	HA/HS	Breaker, 800 Amp	371-05264-006	773864	
	0213/0743 thru 0218/0788						
	0183/0643 thru 0198/0688	50	LS/UQ	Breaker, 600 Amp	371-05264-001	697260	
	0213/0743 thru 0218/0788						
	0200/0700	40	LS/UQ	Breaker, 800 Amp	371-05264-005	773863	
	0233/0843 thru 0278/0988						
	0200/0700	46	LS/UQ	Breaker, 600 Amp	371-05264-001	697260	
	0233/0843 thru 0278/0988						
	0200/0700	50	HA/HS	Breaker, 800 Amp	371-05264-006	773864	
	0233/0843 thru 0278/0988						
	0200/0700	50	ALL	Breaker, 800 Amp	371-05264-005	773863	
	0233/0843 thru 0278/0988						
	0303/1093 thru 0345/1215		40	LS/UQ	Circuit Breaker Kit, 1000 Amp	371-05264-008	773866
				HA/HS	Circuit Breaker Kit, 1200 Amp	371-05264-009	773867
46			LS/UQ	Breaker, 800 Amp	371-05264-005	773863	
			HA/HS	Circuit Breaker Kit, 1000 Amp	371-05264-008	773866	
50			LS/UQ	Circuit Breaker Kit, 1000 Amp	371-05264-008	773866	
			HA/HS	Circuit Breaker Kit, 1200 Amp	371-05264-009	773867	
58	ALL	Breaker, 800 Amp	371-05264-002	773860			
0343/1343 thru 0523/1843	50	ALL	Lugs Drive	371-04460-006	772715		
153	0303/1093 thru 0345/1215	40	ALL	Kit, Disconnect, 1200 Amp	371-05271-004	773871	
		46	HA/HS	Kit, Disconnect, 1000 Amp	371-05271-003	773870	
			LS/UQ	Kit, Disconnect, 800 Amp	371-05271-002	679690	
		50	HA/HS	Kit, Disconnect, 1200 Amp	371-05271-004	773871	
			LS/UQ	Kit, Disconnect, 1200 Amp	371-05271-003	773870	
		58	HA/HS	Kit, Disconnect, 800 Amp	371-05271-000	n/a	
LS/UQ	Kit, Disconnect, 800 Amp		371-05271-006	773872			
156	0153/0543 thru 0178/0588	ALL	HA/HS	Lug, Elec Sgl Bbl, #4-500	025-32835-000	738755	
157	0153/0543 thru 0178/0588	40, 50	HA/HS	Inductor, Drive, 2 Compressor	025-42133-000	740060	
	0153/0543 thru 0198/0688						
	0213/0743 thru 0218/0788	46					
	0153/0543 thru 0278/0988	58					
	0183/0643 thru 0278/0988	40, 50	HA/HS	Inductor, Drive, 2/4 Compressor	025 40742 000	739923	
	0200/0700						
	0233/0843 thru 0278/0988	46					
	0303/1093 thru 0345/1215	40, 50	ALL	Inductor, Drive, 3 Compressor	025-40741-000	739922	
	0303/1093 thru 0523/1843	40, 46, 58			025-39676-000	342937	
0343/1343 thru 0523/1843	50	Inductor Drive 3 Compr					
166	0153/0543 thru 0343/1193	ALL	HA/HS	Control Trigger Board	031-02060-001	772659	
	0373/1343 thru 0523/1843	50	LS/UQ		031-02060-002	63166	
167	0153/0543 thru 0198/0688	40	HA/HS	Transformer, 3KVA, 380:120VAC	025-40114-008	739756	
	0213/0743 thru 0218/0788						
	0373/1343 thru 0523/1843						
	0153/0543 thru 0278/0988		ALL3	Transformer, 2KVA, 380:120VAC	025-40114-007	692407	

Refer to Figure 1

TABLE 2 - CONTROL PANEL (CONT'D)

ITEM	MODELS	VOLTAGE CODE	FANS	DESCRIPTION	PART NUMBER	SAP NUMBER
167	ALL	50	ALL	Transformer, 2KVA, 480:120VAC	025-40114-001	739751
				Transformer, 2KVA, 400:120VAC	025-40114-005	739754
	0373/1343 thru 0523/1843		LS/UQ	Transformer, 3KVA, 400:120VAC	025-40114-006	739755
171	0153/0543 thru 0178/0588	40, 50	ALL	Flash Control, VSD	031-02649-002	419448
	0153/0543 thru 0198/0688	46			031-02649-001	419448
	0213/0743 thru 0218/0788					
	0153/0543 thru 0275/0965	17				
	0153/0543 thru 0278/0988	28, 58				
	0183/0643 thru 0198/0688	40, 50			031-02649-002	419448
	0213/0743 thru 0218/0788					
	0200/0700, 0233/0843 thru 0278/0988	40	LS/UQ	031 02649 003	419449	
		46	ALL	031-02649-001	419448	
		50		031-02649-003	419449	
	0200/0700	403	HA/HS	EPROM, Logic Board	031-02649-012	743999
0233/0843 thru 0278/0988	Flash Control, VSD		031-02649-003	419449		
0303/1093 thru 0345/1215	40, 46, 50, 58	ALL	EPROM, Logic Board	031-02649-012	743999	
173	0153/0543 thru 0275/0965	17	HA/HS	Contactor, 3 Pole, 25A 480VAC	024-35905-000	736300
	0153/0543 thru 0278/0988	28, 40, 46, 50, 58	LS/UQ	Contactor, 3 Pole, 25A 480VAC	024-35905-000	736300
		ALL	LS/UQ	Contactor, 3 Pole, 8A 480VAC	024-34916-000	736117
	0343/1343 thru 0523/1843	50	LS/UQ			
175	0153/0543 thru 0275/0965	17	HA/HS	Transformer, Drive, System #1	371-04178-365	772513
	0153/0543 thru 0278/0988	28	HA/HS			
		17, 28	LS/UQ			
	0153/0543 thru 0345/1215	40, 46, 50, 58	LS/UQ			
	0200/0700		HA/HS			
	0233/0843 thru 0278/0988		ALL		371-04178-369	772515
0303/1093 thru 0345/1215						
0343/1343 thru 0523/1843	50	LS/UQ	Transformer Current Assy Cor E/F	371-05980-365	897727	
176	0153/0543 thru 0275/0965	17	HA/HS	Transformer, Drive, System #2	371-04178-367	772514
	0153/0543 thru 0278/0988	28				
		17, 28	LS/UQ			
0153/0543 thru 0345/1215	40, 46, 50, 58	ALL				
176	0200/0700	40, 50	ALL	Transformer, Drive, System #2	371-04178-378	772519
	0233/0843 thru 0345/1215					
	0303/1093 thru 0345/1215	46, 58				
	0343/1343 thru 0523/1843	50	LS/UQ	Transformer Current Assy Cor E/F	371-05980-367	897728
178	0153/0543 thru 0275/0965	17	HA/HS	Fuse, Semi, 900A, 700V	025-40786-000	739934
	0153/0543 thru 0178/0588	28				
	0200/0700					
	0233/0843 thru 0278/0988					
0153/0543 thru 0178/0588	403	LS/UQ	Fuse, Semi, 630A, 700v	025-42142-000	645566	

Refer to Figure 1

TABLE 2 - CONTROL PANEL (CONT'D)

ITEM	MODELS	VOLTAGE CODE	FANS	DESCRIPTION	PART NUMBER	SAP NUMBER
178	0183/0643 thru 0198/0688	40	ALL	Fuse, Semi, 900A, 700V	025-40786-000	739934
	0213/0743 thru 0218/0788		LS/UQ			
	0200/0700					
	0233/0843 thru 0278/0988	40, 50	HA/HS	Fuse, Semi, 1250A, 700V	025-40764-000	703413
	0373/1343 thru 0523/1843			404	Fuse, Semi, 700A, 700V	025-39681-000
	0303/1093 thru 0345/1215	40, 50	ALL	Fuse, Semi, 1400A, 700V	025-40787-000	704041
	0153/0543 thru 0178/0588		46	ALL	Fuse, Semi, 700A, 700V	025-39681-000
	0213/0743 thru 0218/0788	HA/HS		Fuse, Semi, 900A, 700V	025-40786-000	739934
	0200/0700			46, 58	HA/HS	Fuse, Semi, 1100A, 600V
	0233/0843 thru 0278/0988	46, 58	LS/UQ	Fuse, Semi, 630A, 700V	025-42142-000	645566
	0303/1093 thru 0345/1215		50	ALL	Fuse, Semi, 900A, 700V	025-40786-000
	0153/0543 thru 0178/0588	HA/HS				
	0183/0643 thru 0198/0688					
	0213/0743 thru 0218/0788	58	HA/HS	Fuse, Semi, 900A, 700V	025-40786-000	739934
	0153/0543 thru 0178/0588					
	0200/0700					
	0233/0843 thru 0278/0988	40, 46, 50, 58	HA/HS	Fuse, Cartridge Type, 30 Amp	025-39683-000	739699
0153/0543 thru 0275/0965	LS/UQ					
0153/0543 thru 0278/0988	HA/HS					
0303/1093 thru 0523/1843	HA/HS					
183	ALL	17,28,46, 58,	ALL	Fuse, Cartridge Type 10 Amp	025-35905-000	739234
	0153/0543	46				
	0213/0743 thru 0218/0788	40, 50				
	0153/0543 thru 0178/0588	58	HA/HS	Fuse, Cartridge Type 12 Amp	025-35906-000	652698
	0153/0543 thru 0278/0988	46	HA/HS/HS5			
184	0373/1343 thru 0523/1843	40, 50	LS/UQ	Fuse, Cartridge Type 17-1/2 Amp	025-40149-000	342940
190	0153/0543 thru 0198/0688	40, 504	ALL	Control, VSD Logic Board	031-02507-100	538835
	0213/0743 thru 0218/0788		HA/HS			
	0153/0543 thru 0275/0965	17			LS/UQ	031 02507 000
	0153/0543 thru 0278/0988	17, 28, 46, 58	HA/HS			
		28, 46, 58			LS/UQ	
		40, 50	HA/HS			
0303/1093 thru 0345/1215	40, 46, 50, 58	LS/UQ				

Refer to Figure 1

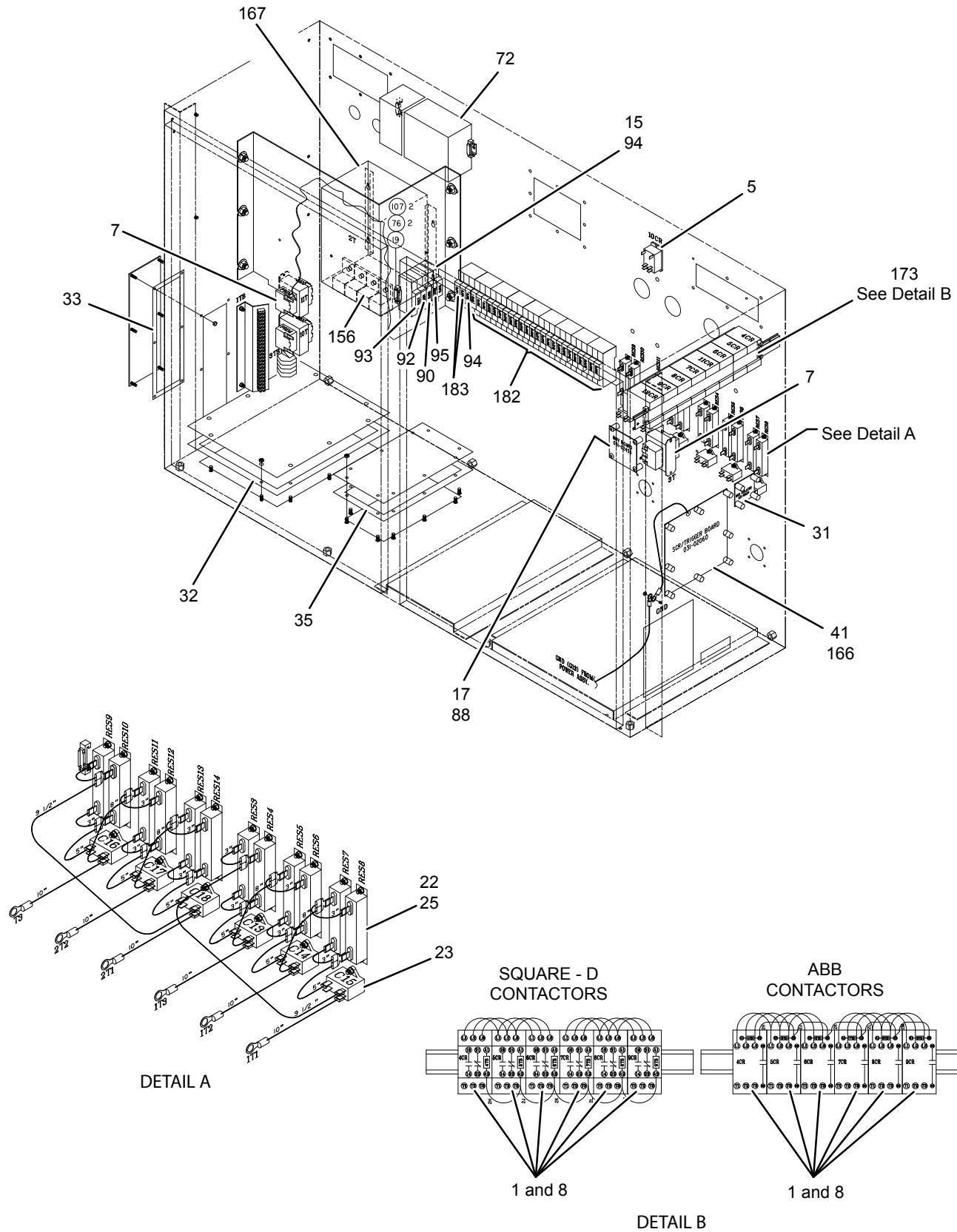
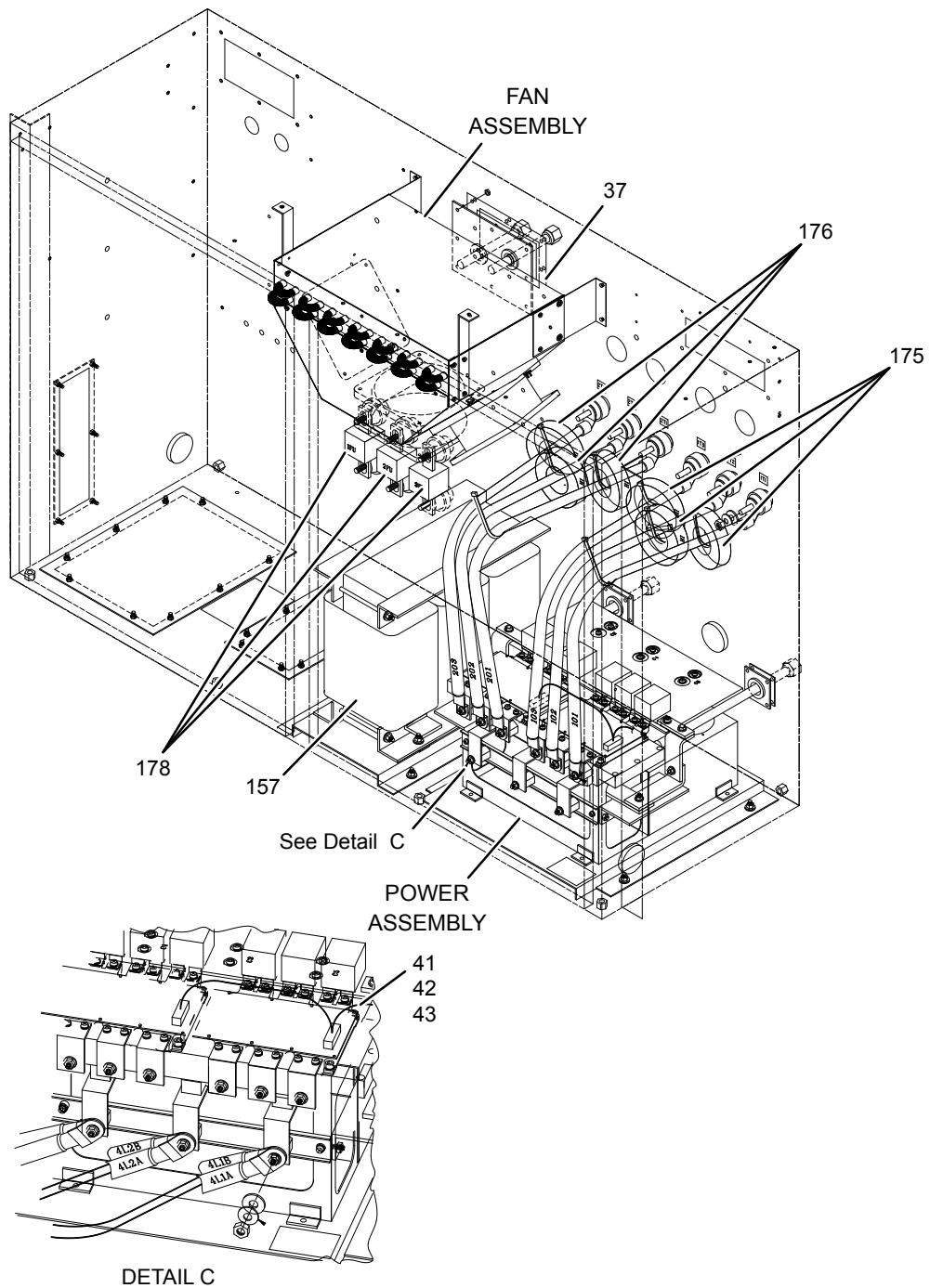


FIGURE 1 - CONTROL PANEL COMPONENTS

071-05578-006 REV -



071-05578-006 REV-

FIGURE 1 - CONTROL PANEL COMPONENTS (CONT'D)

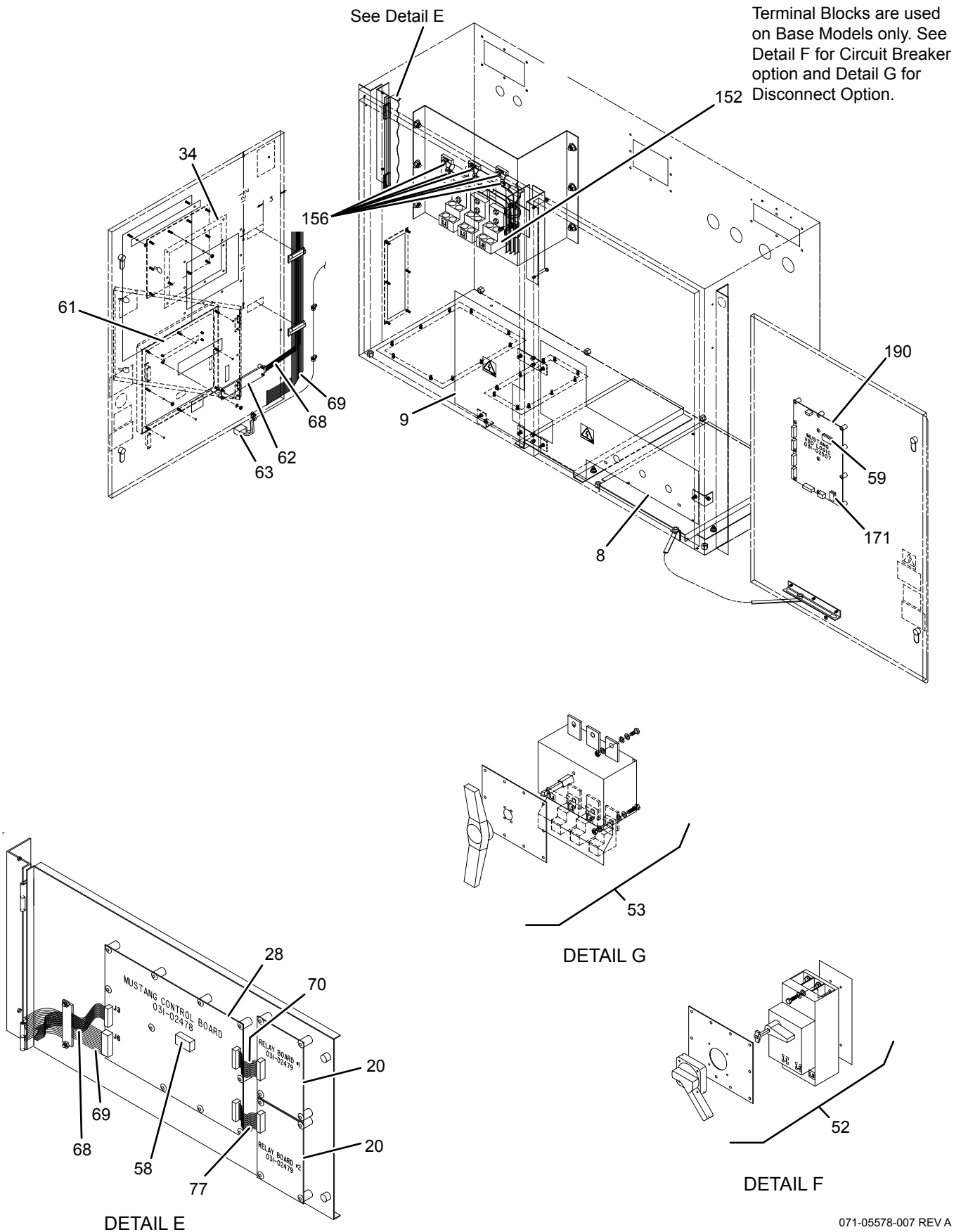


FIGURE 1 - CONTROL PANEL COMPONENTS (CONT'D)

TABLE 3 - CONTROL PANEL WIRING

ITEM	MODELS	VOLTAGE CODE	FANS	DESCRIPTION	PART NO	QUANTITY	FIGURE
45	0153/0543 thru 0278/0988	ALL	ALL	Strap, Ground	525 37839 001	4	2
	0303/1093 thru 0345/1215	40, 46, 50, 58					
46	0153/0543 thru 0278/0988	ALL	ALL	Strap, Grounding	525 32508 001	3	2
	0303/1093 thru 0345/1215	40, 46, 50, 58					
54	0153/0543 thru 0278/0988	ALL	ALL	Cable, 2 Compressor Condenser Fan VSD	571 04178 256	1	2
	0303/1093 thru 0345/1215	40, 46, 50, 58	ALL	Cable, 2 Compressor Condenser Fan VSD	571 04178 257	1	2
68	0153/0543 thru 0278/0988	ALL	ALL	Cable, Ribbon, Display	571 04178 261	1	2
69	0153/0543 thru 0278/0988	ALL	ALL	Cable, Ribbon, Keypad	571 04178 262	1	2
71	0153/0543 thru 0278/0988	ALL	ALL	Cable, Logic To Control	571 04178 271	1	2
	0303/1093 thru 0345/1215	40, 46, 50, 58	ALL	Cable, Logic To Control	571 04179 271	1	2
86	0153/0543 thru 0278/0988	ALL	ALL	Cable, Shielded	571 05578 291	1	2
	0303/1093 thru 0345/1215	40, 46, 50, 58					

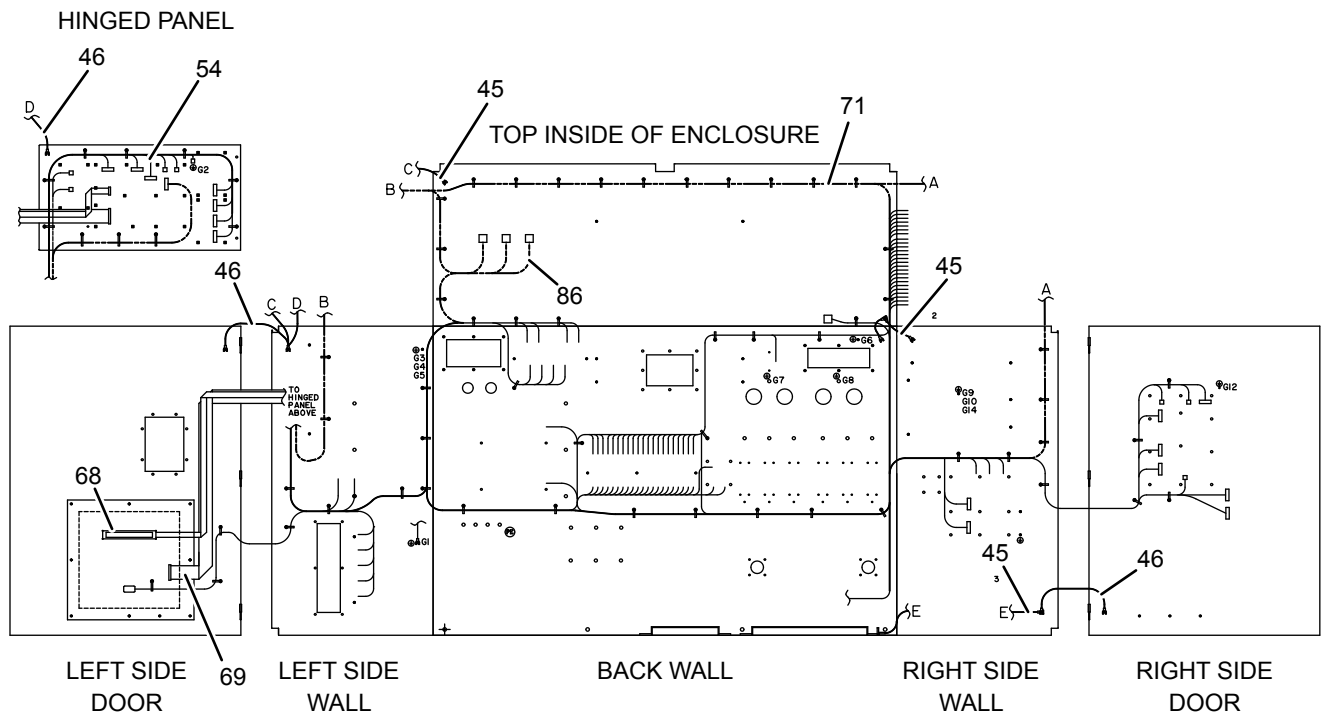


FIGURE 2 - CONTROL PANEL WIRING

TABLE 4 - VSD MOUNTING KIT

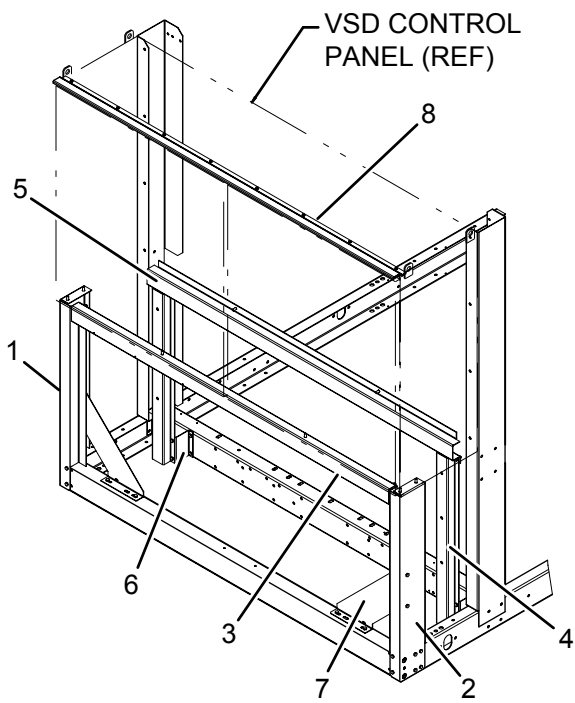
MICROCHANNEL COILS MOUNTING KIT (PIN 50 = M, N)						
ITEM	MODEL	DESCRIPTION	PART NUMBER	SAP NUMBER	QTY	FIGURE
1	0153/0543 thru 0345/1215	Panel Top Cover	075-79560-000	549092	1	3
	0373/1343, 0413/1443, 0443/1543 thru 0523/1843	Leg Support Front Left	092-07072-004	865473	1	3
2	0153/0543 thru 0278/0988	Panel Side Control Panel	075-79559-000	549093	2	3
	0295/1015 thru 0345/1215	Panel Side Control Panel	075-93271-000	669929	2	3
	0373/1343, 0413/1443, 0443/1543 thru 0523/1843	Leg Support Front Right	092-07072-000	865469	1	3
3	0153/0543 thru 0345/1215	Channel Support Control Panel	075-79561-000	549087	1	3
	0373/1343, 0413/1443, 0443/1543 thru 0523/1843	Rail Panel Support	075-61425-000	754691	1	3
4	0153/0543 thru 0345/1215	Support Control Panel Side	075-65651-000	755455	2	3
	0373/1343, 0413/1443, 0443/1543 thru 0523/1843	Rail Hat Channel 4 Circuit	075-61000-001	754220	2	3
5	0153/0543 thru 0345/1215	Rail Support Control Panel	075-79562-000	549091	1	3
	0373/1343, 0413/1443, 0443/1543 thru 0523/1843	Support Panel	075-61427-000	754692	1	3
6	0153/0543 thru 0345/1215	Bracket Support Control Panel	075-79564-000	549089	1	3
	0373/1343, 0413/1443, 0443/1543 thru 0523/1843	Hat Channel VSD Mounting	092-07072-005	865474	2	3
7	0153/0543 thru 0345/1215	Bracket Support Control Panel	075-79563-000	549090	1	3
	0373/1343, 0413/1443, 0443/1543 thru 0523/1843	Bracket Support	075-65645-000	363478	2	3
8	0373/1343, 0413/1443, 0443/1543 thru 0523/1843	Shield Rain Assy 4 Compr	371-04180-386	772670	1	3
		Shield Rain 4 Compr Chiller	071-04180-387	748895	1	3

FIN COILS MOUNTING KIT (PIN 50 = A, B, C, E, P)						
ITEM	MODEL	DESCRIPTION	PART NUMBER	SAP NUMBER	QTY	FIGURE
1	0153/0543, 0183/0643, 0200/0700, 0213/0743, 0233/0843, 0263/0943, 0273/0963, 0303/1093, 0323/1143 thru 0343/1193	Panel Top Cover	075-79560-000	549092	1	3
	0373/1343, 0413/1443, 0443/1543, 0483/1693 thru 0523/1843	Leg Support Front Left	092-07072-004	865473	1	3
2	0153/0543, 0183/0643, 0200/0700, 0213/0743, 0233/0843, 0263/0943, 0273/0963	Panel Side Control Panel	092-07099-010	860519	2	3
	0303/1093, 0323/1143 thru 0343/1193	Panel Side Control Panel	092-07099-011	860520	2	3
	0373/1343, 0413/1443, 0443/1543, 0483/1693 thru 0523/1843	Leg Support Front Right	092-07072-000	865469	1	3

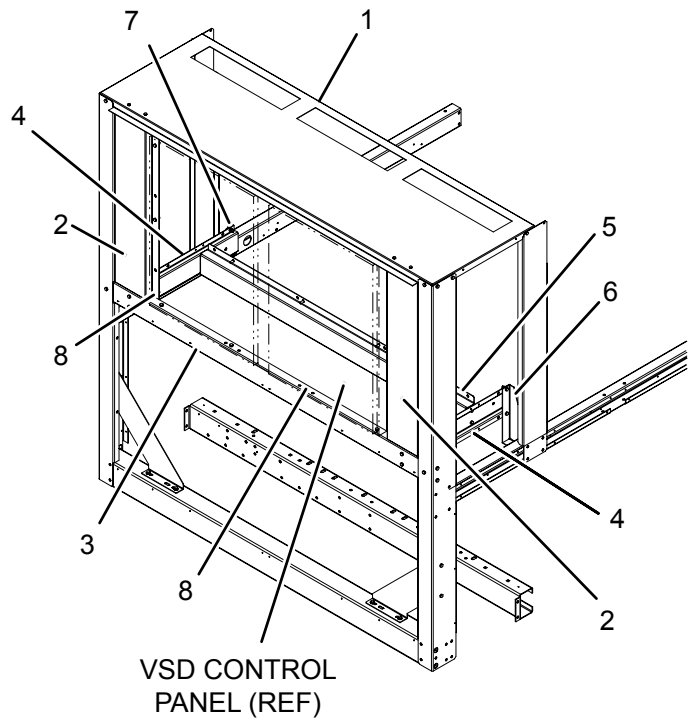
TABLE 4 - VSD MOUNTING KIT (CONT'D)

FIN COILS MOUNTING KIT (PIN 50 = A, B, C, E, P)						
ITEM	MODEL	DESCRIPTION	PART NUMBER	SAP NUMBER	QTY	FIGURE
3	0153/0543, 0183/0643, 0200/0700, 0213/0743, 0233/0843, 0263/0943, 0273/0963, 0303/1093, 0323/1143 thru 0343/1193	Channel Support Control Panel	075-79561-000	549087	1	3
	0373/1343, 0413/1443, 0443/1543, 0483/1693 thru 0523/1843	Rail Panel Support	075-61425-000	754691	1	3
4	0153/0543, 0183/0643, 0200/0700, 0213/0743, 0233/0843, 0263/0943, 0273/0963, 0303/1093, 0323/1143 thru 0343/1193	Support Control Panel Side	075-65651-000	755455	2	3
	0373/1343, 0413/1443, 0443/1543, 0483/1693 thru 0523/1843	Rail Hat Channel 4 Circuit	075-61000-001	754220	2	3
5	0153/0543, 0183/0643, 0200/0700, 0213/0743, 0233/0843, 0263/0943, 0273/0963, 0303/1093, 0323/1143 thru 0343/1193	Rail Support Control Panel	075-79562-000	549091	1	3
	0373/1343, 0413/1443, 0443/1543, 0483/1693 thru 0523/1843	Support Panel	075-61427-000	754692	1	3
6	0153/0543, 0183/0643, 0200/0700, 0213/0743, 0233/0843, 0263/0943, 0273/0963, 0303/1093, 0323/1143 thru 0343/1193	Bracket Support Control Panel	075-79564-000	549089	1	3
	0373/1343, 0413/1443, 0443/1543, 0483/1693 thru 0523/1843	Hat Channel VSD Mounting	092-07072-005	865474	2	3
7	0153/0543, 0183/0643, 0200/0700, 0213/0743, 0233/0843, 0263/0943, 0273/0963, 0303/1093, 0323/1143 thru 0343/1193	Bracket Support Control Panel	075-79563-000	549090	1	3
	0373/1343, 0413/1443, 0443/1543, 0483/1693 thru 0523/1843	Bracket Support	075-65645-000	363478	2	3
8	0373/1343, 0413/1443, 0443/1543, 0483/1693 thru 0523/1843	Shield Rain Assy 4 Compr	371-04180-386	772670	1	3
		Shield Rain 4 Compr Chiller	071-04180-387	748895	1	3

NOTE: Items with an * are NOT represented.



373/1343, 0413/1443, 0443/1543 - 0523/1843



0153/0543 - 0345/1215

LD17305

FIGURE 3 - VSD MOUNTING KIT

TABLE 5 - UNIT ASSEMBLY

ITEM	PIN 50 =	MODEL	DESCRIPTION	PART NUMBER	SAP NUMBER	FIGURE
1	M, N	0153/0543 thru 0183/0643, 0200/0700 thru 0215/0765, 0233/0843, 0245/0865, 0263/0943, 0273/0963, 0295/1015 thru 0308/1088, 0323/1143 thru 0345/1215	Leg Support Front Left	075-79555-000	758526	4
	A, B, C, E, P			092-07091-001	860246	4
	M, N	0248/0888, 0278/0988, 0373/1343, 0413/1443, 0443/1543 thru 0500/1700	Leg Support Front Left	092-07072-002	865471	4
	A, B, C, E, P			092-07135-002	866584	4
2	M, N	0153/0543 thru 0183/0643, 0200/0700 thru 0215/0765, 0233/0843, 0245/0865, 0263/0943, 0273/0963, 0295/1015, 0303/1093 thru 0308/1088, 0323/1143 thru 0345/1215	Leg Support Front Right	075-79556-000	549085	4
	A, B, C, E, P			092-07091-002	860247	4
	M, N	0248/0888, 0278/0988, 0373/1343, 0413/1443, 0443/1543, 0475/1665 thru 0500/1700	Leg Support Front Right	092-07072-001	865470	4
	A, B, C, E, P			092-07135-001	866583	4
3	M, N	0153/0543 thru 0183/0643, 0200/0700 thru 0215/0765, 0233/0843, 0245/0865, 0263/0943, 0273/0963, 0295/1015 thru 0308/1088, 0323/1143 thru 0345/1215, 0373/1343, 0413/1443, 0500/1700	Leg Support Rear Right Hand	075-79557-000	549083	4
	A, B, C, E, P			092-07091-003	860248	4
	M, N	0248/0888, 0278/0988, 0443/1543, 0475/1665, 0483/1693	Leg Support Rear Right Hand	092-09108-000	865507	4
	A, B, C, E, P			092-07135-009	898529	4
4	M, N	0153/0543 thru 0183/0643, 0200/0700 thru 0215/0765, 0233/0843, 0245/0865, 0263/0943, 0273/0963, 0295/1015 thru 0308/1088, 0323/1143 thru 0345/1215, 0373/1343, 0413/1443, 0500/1700	Leg Support Rear Left Hand	075-79558-000	549084	4
	A, B, C, E, P			092-07091-004	860249	4
	M, N	0248/0888, 0278/0988, 0443/1543, 0475/1665, 0483/1693	Leg Support Rear Left Hand	092-09109-000	865508	4
	A, B, C, E, P			092-07135-010	898530	4
5	All	0153/0543 thru 0183/0643, 0200/0700 thru 0215/0765, 0233/0843 thru 0273/0963, 0278/0988 thru 0308/1088, 0323/1143 thru 0345/1215, 0373/1343, 0413/1443, 0443/1543 thru 0500/1700	Leg Support	075-79540-000	549077	4
7	ALL	0200/0700	Panel Top Cover	075-93303-000	695627	4

TABLE 5 - UNIT ASSEMBLY (CONT'D)

ITEM	PIN 50 =	MODEL	DESCRIPTION	PART NUMBER	SAP NUMBER	FIGURE
8	M, N	0153/0543 thru 0183/0643, 0200/0700 thru 0215/0765, 0233/0843, 0245/0865, 0263/0943, 0273/0963, 0295/1015 thru 0308/1088, 0323/1143 thru 0345/1215	Channel Support Side	075-79566-000	549094	4
	A, B, C, E, P			092-07091-005	860250	4
	M, N	0373/1343, 0413/1443, 0500/1700	Channel Support Side	092-07072-016	865484	4
	A, B, C, E, P			092-07135-008	866590	4
	M, N			0248/0888, 0278/0988, 0443/1543 thru 0483/1693	Channel Support Side	092-07072-009
A, B, C, E, P	092-07135-004	866586	4			
9	M, N	0153/0543 thru 0183/0643, 0200/0700 thru 0215/0765, 0233/0843, 0245/0865, 0263/0943, 0273/0963, 0295/1015 thru 0308/1088, 0323/1143 thru 0345/1215	Channel Support Side	075-79565-000	549095	4
	A, B, C, E, P			092-07091-006	860481	4
	M, N	0248/0888, 0278/0988, 0443/1543 thru 0483/1693	Channel Support Side	092-07072-012	865480	4
	A, B, C, E, P			092-07135-005	866587	4
11	ALL	0248/0888, 0278/0988 thru 0333/1173, 0345/1215, 0373/1343, 0413/1443, 0443/1543 thru 0500/1700	Brace Rear	075-93309-000	665289	4
15	M, N	0153/0543 thru 0183/0643, 0213/0743, 0215/0765, 0233/0843, 0245/0865, 0263/0943, 0273/0963, 0295/1015 thru 0308/1088, 0323/1143, 0333/1173, 345/1215	Channel Side Coil Support	075-79533-000	549078	4
	A, B, C, E, P			092-07091-007	860482	4
	M, N	0248/0888, 0278/0988, 0373/1343, 0413/1443, 0443/1543 thru 0500/1700	Channel Support Side	092-07072-003	865472	4
	A, B, C, E, P			092-07135-003	866585	4
	M, N			0200/0700	Channel Side Coil Support	075-93304-000
A, B, C, E, P	092-07091-012	861606	4			
16	M, N	0153/0543 thru 0183/0643, 0213/0743, 0215/0765, 0233/0843, 0245/0865, 0263/0943, 0273/0963, 0295/1015 thru 0308/1088, 0323/1143, 0333/1173, 345/1215	Channel Side Coil Support	075-79539-000	549079	4
	A, B, C, E, P			092-07091-008	860483	4
	M, N	0373/1343, 0413/1443, 0500/1700	Channel Side Coil Support	092-07072-012	865480	4
	A, B, C, E, P			092-07135-005	866587	4
	M, N			0200/0700	Channel Side Coil Support	075-94073-000
A, B, C, E, P	092-07091-008	860483	4			

TABLE 5 - UNIT ASSEMBLY (CONT'D)

ITEM	PIN 50 =	MODEL	DESCRIPTION	PART NUMBER	SAP NUMBER	FIGURE
17	M, N	0153/0543	Channel Side Coil Support	092-03247-000	704779	4
		0178/0588, 0213/0743, 0215/0765, 0233/0843		075-93738-000	668480	4
		0165/0565, 0183/0643		075-79541-000	549080	4
		0200/0700, 0245/0865, 0263/0943, 0273/0963		075-93244-000	636186	4
		0295/1015 thru 0323/1143, 0333/1173 thru 345/1215		075-89876-000	569808	4
		0248/0888, 0278/0988, 0373/1343, 0413/1443, 0443/1543 thru 0500/1700		092-07072-013	865481	4
	A, B, C, E, P	0153/0543	Channel Side Coil Support	092-07091-014	861608	4
		0183/0643		092-07091-017	863016	4
		0213/0743, 0233/0843		092-07091-019	863018	4
		0200/0700, 0263/0943, 0273/0963		092-07091-009	860484	4
		0303/1093, 0323/1143 thru 0343/1193		092-07091-021	865991	4
		0248/0888, 0278/0988, 0373/1343, 0413/1443, 0443/1543 thru 0500/1700		092-07135-006	866588	4
18	M, N	0153/0543	Channel Side Coil Support	075-79572-001	758585	4
		0165/0565 thru 0183/0643, 0213/0743, 0215/0765, 0233/0843, 0245/0865, 0263/0943, 0273/0963, 0295/1015 thru 0308/1088, 0323/1143 thru 345/1215		075-79572-000	549081	4
		0373/1343, 0413/1443, 0500/1700		092-07072-009	865478	4
		0200/0700		075-93305-000	695630	4
		0153/0543		092-07091-015	861609	4
	A, B, C, E, P	0183/0643, 0213/0743, 0233/0843, 0263/0943, 0273/0963, 0303/1093, 0323/1143 thru 0343/1193	Channel Side Coil Support	092-07091-010	860485	4
		0373/1343, 0413/1443, 0500/1700		092-07135-004	866586	4
		0200/0700		092-07091-013	861607	4

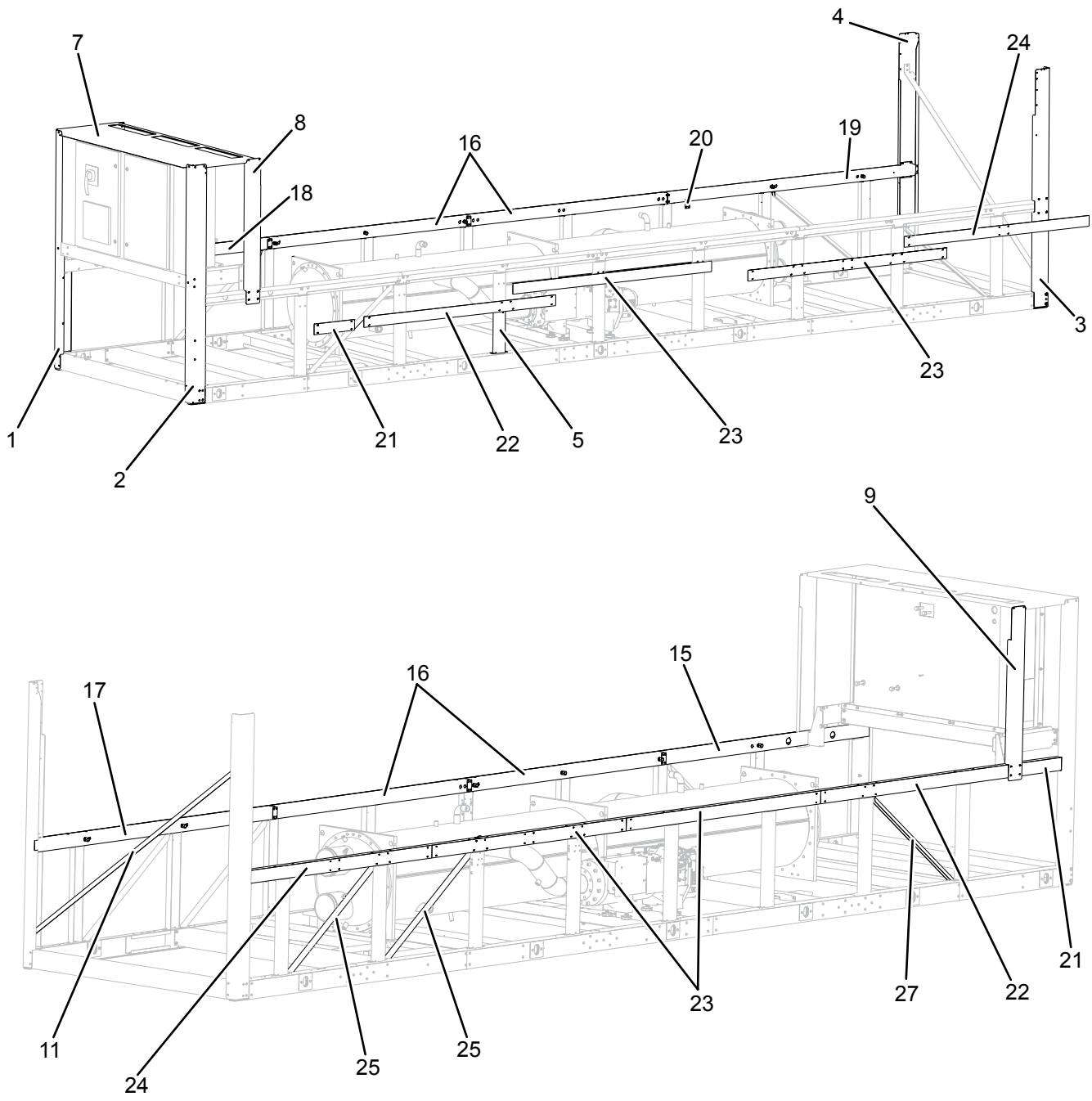
TABLE 5 - UNIT ASSEMBLY (CONT'D)

ITEM	PIN 50 =	MODEL	DESCRIPTION	PART NUMBER	SAP NUMBER	FIGURE
19	M, N	0153/0543	Channel Side Coil Support	092-03248-000	704780	4
		0165/0565, 0183/0643		075-79573-000	549082	4
		0178/0588, 0213/0743, 0215/0765, 0233/0843		075-93739-000	668481	4
		0200/0700, 0245/0865, 0263/0943, 0273/0963		075-93245-000	636187	4
		0295/1015 thru 0308/1088, 0323/1143 thru 345/1215		075-89877-000	569809	4
		0373/1343, 0413/1443, 0500/1700		092-07072-014	865482	4
	A, B, C, E, P	0153/0543	Channel Side Coil Support	092-07091-016	861610	4
		0183/0643		092-07091-018	863017	4
		0213/0743, 0233/0843		092-07091-020	863019	4
		0200/0700, 0263/0943, 0273/0963		092-07091-011	860486	4
		0303/1093, 0323/1143 thru 0343/1193		092-07091-022	865992	4
		0373/1343, 0413/1443, 0500/1700		092-07135-007	866589	4
20	All	0153/0543 thru 0183/0643, 0200/0700 thru 0215/0765, 0233/0843 thru 0273/0963, 0278/0988 thru 0308/1088, 0323/1143 thru 345/1215, 0373/1343, 0413/1443, 0443/1543 thru 0500/1700	Plate Splice	075-79574-000	549100	4
21	All	0248/0888, 0278/0988, 0443/1543 thru 0483/1693	Brace Side	075-93309-002	856818	4
22	ALL	0443/1543	Tube Discharge	092-07077-030	876603	4
		0248/0888, 0278/0988, 0475/1665, 0483/1693		092-07077-003	862520	4
23	M, N	0248/0888, 0278/0988, 0475/1665, 0483/1693	Tube Cu La 571 Mm [22.48]	092-02992-014	767934	4
	A, B, C, E, P			092-07098-052	863041	4
24	A, B, C, E, P	0263/0943, 0273/0963	Brace Side	075-93309-001	856817	4
25	ALL	0153/0543, 0165/0565, 0183/0643, 0200/0700	Brace Rear	075-93309-000	665289	4
	M, N	0215/0765, 0233/0843, 0245/0865, 0263/0943, 0273/0963, 0295/1015, 0308/1088, 0500/1700	Brace Side	075-93309-001	856817	4
	A, B, C, E, P			075-93309-002	856818	4
	ALL	0303/1093, 0305/1065, 0323/1143 thru 345/1215, 0373/1343, 0413/1443, 0500/1700		075-93309-001	856817	4

TABLE 5 - UNIT ASSEMBLY (CONT'D)

ITEM	PIN 50 =	MODEL	DESCRIPTION	PART NUMBER	SAP NUMBER	FIGURE
27	ALL	0153/0543, 0178/0588, 0183/0643, 0213/0743, 0245/0865	Brace Side	075-93309-002	856818	4
	A, B, C, E, P	0233/0843		075-93309-001	856817	4
	M, N	0215/0765, 0263/0943, 0273/0963, 0295/1015, 0308/1088, 345/1215		075-93309-002	856818	4
	ALL	0303/1093, 0305/1065, 0323/1143 thru 0343/1193, 0373/1343, 0413/1443		075-93309-002	856818	4
	ALL	0248/0888, 0278/0988, 0443/1543, 0475/1665, 0483/1693		075-93309-001	856817	4

NOTE: Items with an * are NOT represented.



LD17435

FIGURE 4 - UNIT ASSEMBLY

TABLE 6 - BASE ASSEMBLY

ITEM	MODEL	DESCRIPTION	PART NUMBER	SAP NUMBER	FIGURE
1	0153/0543	Rail Base	075-94058-000	674872	5
	0165/0565, 0183/0643 thru 0198/0688, 0213/0743, 0233/0843, 0245/0865, 0263/0943		075-79507-000	549111	6-9
	0178/0588, 0215/0765, 0218/0788, 0248/0888, 0273/0963, 0278/0988, 0295/1015 thru 0345/1215		075-89911-000	569814	5, 6, 8
	0200/0700		075-93292-000	702285	7
	0373/1343, 0413/1443		092-07011-010	875062	13
	0443/1543, 0483/1693 thru 0523/1843		092-07070-000	865458	13
2	0153/0543	Rail Base	075-94059-000	674873	5
	0183/0643, 0195/0665, 0213/0743		075-93316-000	667052	6
	0165/0565, 0198/0688, 0233/0843, 0263/0943		075-79508-000	549107	6-8
	0273/0963, 0343/1193, 0345/1215		075-89912-000	569815	8, 12
	0200/0700		075-93293-000	702286	7
	0178/0588, 0215/0765		075-93318-000	674878	5
	0218/0788		075-94695-000	690856	9
	0245/0865		075-94090-000	679790	9
	0248/0888		075-93330-000	695570	8
	0295/1015		092-03539-000	768407	10
	0303/1093		092-03477-000	705269	10
	0305/1065		092-03062-000	717291	10
	0308/1088, 0318/1188		092-03502-000	705675	11
	0278/0988, 0323/1143		075-89912-000	569815	8
	0333/1173		092-03527-000	705646	12
	0373/1343, 0413/1443		092-07011-002	874995	13
0443/1543, 0483/1693 thru 0523/1843	092-07070-001	865459	13		
3	0153/0543	Rail Base	075-94060-000	674874	5
	0183/0643, 0195/0665, 0213/0743		075-93315-000	667053	6
	0178/0588, 0215/0765		075-93319-000	674879	5
	0200/0700		075-93294-000	702287	7
	0218/0788		075-94669-000	690857	9
	0233/0843		075-93736-000	670497	8
	0245/0865		075-94091-000	679961	9
	0248/0888		075-93331-000	695568	8
	0165/0565, 0198/0688, 0263/0943		075-79509-000	549108	6, 7, 9
	0273/0963		075-89190-000	683257	8
	0295/1015		092-03540-000	768408	10
	0303/1093		092-03486-000	705268	10
	0305/1065		092-03063-000	717293	10
	0278/0988, 0323/1143, 0345/1215		075-89913-000	569816	8, 11, 12
	0333/1173		092-03528-000	705645	12
	0308/1088, 0318/1188, 0343/1193		092-03012-000	705651	11, 12
0373/1343, 0413/1443	092-07011-011	875063	13		
0443/1543, 0483/1693 thru 0523/1843	092-07070-002	865460	13		

TABLE 6 - BASE ASSEMBLY (CONT'D)

ITEM	MODEL	DESCRIPTION	PART NUMBER	SAP NUMBER	FIGURE
4	0153/0543, 0200/0700	Rail Base	075-79554-000	549106	5, 7
	0178/0588		075-93297-000	667049	5
	0218/0788		075-89191-000	759808	9
	0295/1015, 0308/1088, 0318/1188, 0343/1193, 0305/1065		092-02996-000	705248	10-12
	0373/1343, 0413/1443		092-07011-012	875064	13
	0443/1543, 0483/1693 thru 0523/1843		092-07070-005	865463	13
5	0153/0543 thru 0218/0788, 0248/0888, 0233/0843, 0245/0865, 0263/0943, 0273/0963, 0278/0988	Rail Base	075-79511-000	549110	5-7
	0295/1015, 0303/1093, 0305/1065, 0308/1088, 0318/1188		092-03039-000	705266	10, 11
	0323/1143, 0333/1173 thru 0345/1215		075-93259-000	705335	11, 12
	0373/1343, 0413/1443		092-07011-001	874994	13
	0443/1543, 0483/1693 thru 0523/1843		092-07070-007	865465	13
6	0153/0543, 0200/0700	Rail Base	075-93297-000	667049	5, 7
	0165/0565 thru 0198/0688, 0213/0743 thru 0345/1215		075-79520-000	758459	5-12
	0373/1343, 0413/1443, 0443/1543, 0483/1693 thru 0523/1843		092-07070-006	865464	13
7	0153/0543	Rail Base	075-94062-000	674875	5
	0165/0565, 0183/0643, 0195/0665, 0213/0743, 0245/0865, 0233/0843, 0263/0943,		075-79521-000	549113	6
	0178/0588, 0198/0688, 0215/0765, 0218/0788, 0248/0888, 0273/0963, 0278/0988 thru 0343/1193		075-93258-000	674880	5, 7
	0200/0700		075-94081-000	702288	7
	0345/1215		075-93272-000	705655	12
	0373/1343, 0413/1443, 0443/1543, 0483/1693 thru 0523/1843		092-07070-008	865466	13
8	0178/0588 thru 0195/0665, 0213/0743 thru 0233/0843	Rail Base	075-89909-000	569820	5, 6
	0198/0688		075-94105-000	700035	7
	0200/0700		075-79520-000	758459	7
	0245/0865		075-93258-000	674880	9
	0263/0943		075-93238-000	636183	9
	0273/0963		075-65620-000	561203	8
	0295/1015, 0305/1065 thru 0333/1173, 0345/1215, 0443/1543, 0483/1693 thru 0523/1843		075-93263-000	705244	10-13
	0165/0565, 0248/0888, 0303/1093, 0343/1193, 0373/1343, 0413/1443	Bracket Filter Drier	075-89942-000	636184	6, 8, 10, 12, 13
9	0153/0543 thru 0273/0963, 0278/0988 thru 0345/1215, 0373/1343, 0413/1443, 0443/1543, 0483/1693 thru 0523/1843	Plate Lifting Reinforcing	075-65620-000	561203	5-7

TABLE 6 - BASE ASSEMBLY (CONT'D)

ITEM	MODEL	DESCRIPTION	PART NUMBER	SAP NUMBER	FIGURE
10	0153/0543 thru 0345/1215, 0373/1343, 0413/1443, 0443/1543, 0483/1693 thru 0523/1843	Channel Side Connection	075-65622-001	755431	5-7
11	0153/0543, 0200/0700	Rail Base	075-93299-000	674876	5
	0165/0565 thru 0198/0688, 0213/0743 thru 0273/0963, 0278/0988 thru 0345/1215		075-79554-000	549106	5-7
	0373/1343, 0413/1443, 0443/1543, 0483/1693 thru 0523/1843		092-07070-004	865462	13
12	0153/0543 thru 0273/0963, 0278/0988 thru 0345/1215, 0373/1343, 0413/1443, 0443/1543, 0483/1693 thru 0523/1843	Bracket Cooler	075-55617-000	753101	5, 7
13	0153/0543	Rail Base	075-94061-000	674877	5
	0183/0643, 0195/0665, 0213/0743, 0318/1188		075-94040-000	667054	6
	0198/0688		075-93258-000	674880	7
	0200/0700		075-94072-000	702289	7
	0165/0565, 0233/0843, 0263/0943,		075-79553-000	549112	6
	0273/0963, 0278/0988		075-89908-000	569817	8
	0248/0888, 0303/1093	075-93297-000	667049	8, 10	
	0178/0588, 0215/0765, 0218/0788, 0295/1015, 0305/1065, 0308/1088, 0323/1143, 0333/1173, 0343/1193	Bracket Filter Drier	075-89942-000	636184	5
	0305/1065	Support Compressor	075-89933-000	705336	10
0373/1343, 0413/1443, 0443/1543, 0483/1693 thru 0523/1843	Support Compressor	092-07070-009	865467	13	
14	0153/0543, 0183/0643, 0195/0665, 0200/0700, 0213/0743, 0233/0843, 0245/0865, 0263/0943, 0318/1188, 0373/1343, 0413/1443, 0443/1543, 0483/1693 thru 0523/1843	Bracket Filter Drier	075-89942-000	636184	5-7
	0248/0888, 0273/0963, 0278/0988	Bracket Filter Drier	075-89915-000	569818	8
	0295/1015, 0308/1088	Rail Base	075-93262-000	636182	10
	0303/1093	Rail Base	075-89878-000	569819	10
	0305/1065	Rail Base	092-03040-000	705262	10
	0323/1143 thru 0343/1193	Support Compressor	075-89933-000	705336	11, 12
	0178/0588, 0215/0765, 0218/0788	Bracket E-Ductor	075-79579-000	549115	5, 9
0198/0688, 0345/1215	Bracket Filter Drier	075-89942-000	636184	7	
15	0153/0543, 0165/0565, 0183/0643 thru 0213/0743, 0233/0843, 0248/0888 thru 0273/0963, 0278/0988 thru 0345/1215, 0373/1343, 0413/1443, 0443/1543, 0483/1693 thru 0523/1843	Bracket E-Ductor	075-79579-000	549115	5-13
	0178/0588, 0218/0788	Rail Base	075-93262-000	636182	5, 9

TABLE 6 - BASE ASSEMBLY (CONT'D)

ITEM	MODEL	DESCRIPTION	PART NUMBER	SAP NUMBER	FIGURE
16	0153/0543, 0200/0700	Rail Base	075-89909-000	569820	5, 7
	0165/0565, 0183/0643, 0195/0665, 0213/0743, 0233/0843		075-93262-000	636182	6, 8
	0273/0963		075-89191-000	759808	8
	0248/0888, 0278/0988, 0295/1015, 0303/1093, 0318/1188, 0323/1143, 0345/1215		075-89878-000	569819	8, 10, 11, 12
	0305/1065, 0308/1088, 0333/1173, 0343/1193		092-03013-000	705644	10, 12
	0373/1343, 0413/1443, 0443/1543, 0483/1693 thru 0523/1843		092-07070-003	865461	13
	0178/0588	Bracket Mounting Oil Separator	075-93298-000	667055	5
	0198/0688, 0245/0865, 0263/0943	Channel Side Outer R.H.	075-93239-000	636174	7, 9
	0218/0788		075-89916-000	569821	9
17	0153/0543, 0305/1065, 0318/1188	Rail Base	075-93262-000	636182	5
	0183/0643, 0195/0665, 0213/0743		075-93297-000	667049	6
	0200/0700		075-94082-000	702290	7
	0263/0943		075-93240-000	636176	9
	0165/0565, 0248/0888, 0273/0963, 0278/0988		075-89909-000	569820	6, 8
	0295/1015, 0303/1093, 0308/1088		092-03040-000	705262	10
	0323/1143 thru 0343/1193, 0345/1215	Support Cooler Base	075-89932-000	705337	11, 12
	0373/1343, 0413/1443		092-07011-000	874993	13
	0443/1543, 0483/1693 thru 0523/1843		092-07070-010	865468	13
	0178/0588	Bracket, Glycol Pump	092-06146-000	769053	5
	0198/0688	Channel Side Outer R.H.	075-93240-000	636176	7
	0218/0788		075-94692-000	691004	9
0245/0865	075-94092-000		679962	9	
18	0153/0543	Rail Base	075-79520-000	758459	5
	0183/0643, 0195/0665, 0213/0743		075-93298-000	667055	6
	0200/0700		075-94083-000	702301	7
	0263/0943		075-93241-000	636178	9
	0198/0688	Channel Side Outer R.H.	075-93241-000	636178	7
	0218/0788		075-94693-000	691005	9
	0245/0865		075-94093-000	686895	9
	0248/0888, 0273/0963 thru 0345/1215		075-89916-000	569821	8, 12
	0373/1343, 0413/1443, 0443/1543, 0483/1693 thru 0523/1843		092-07073-000	865485	13

TABLE 6 - BASE ASSEMBLY (CONT'D)

ITEM	MODEL	DESCRIPTION	PART NUMBER	SAP NUMBER	FIGURE
19	0198/0688	Channel Side Outer R.H.	075-94106-000	700036	7
	0218/0788, 0245/0865		075-94694-000	679966	9
	0248/0888		075-93332-000	700029	8
	0263/0943		075-93242-000	636180	9
	0273/0963, 0278/0988, 0308/1088, 0318/1188, 0343/1193		075-89917-000	569822	8, 11, 12
	0295/1015, 0303/1093		092-03478-000	768363	10
	0305/1065		092-03536-000	717301	10
	0323/1143, 0345/1215		075-89917-000	569822	11, 12
	0333/1173		092-03529-000	768400	12
	0373/1343, 0413/1443		092-07011-003	874996	13
	0443/1543, 0483/1693 thru 0523/1843		092-07073-001	865486	13
	0200/0700	Plate Spacer	092-03272-000	702302	7
20	0198/0688, 0245/0865, 0263/0943	Channel Side Outer L.H.	075-93239-001	636175	7
	0218/0788		075-89916-001	569825	9
	0248/0888		075-93333-000	700031	8
	0273/0963		075-89918-004	694384	8
	0295/1015		092-03541-000	768409	10
	0303/1093		092-03479-000	768365	10
	0305/1065		092-03537-000	717305	10
	0308/1088, 0318/1188		092-03503-000	768378	11
	0278/0988, 0323/1143		075-94074-000	674881	8, 11
	0333/1173		092-03530-000	768402	12
	0343/1193		075-94074-000	674881	12
	0345/1215		075-89918-000	569823	12
	0373/1343, 0413/1443		092-07011-005	874998	13
	0443/1543, 0483/1693 thru 0523/1843		092-07073-002	865487	13
21	0245/0865	Channel Side Outer L.H.	075-94092-001	679963	9
	0248/0888		075-93334-000	700033	8
	0198/0688, 0263/0943		075-93240-001	636177	7
	0218/0788		075-94692-001	691007	9
	0273/0963		075-89192-000	679607	8
	0295/1015		092-03542-000	768411	10
	0303/1093		092-03487-000	768367	10
	0305/1065		092-03538-000	717310	10
	0278/0988, 0318/1188, 0323/1143, 0345/1215		075-89919-000	569824	8, 11, 12
	0308/1088, 0333/1173, 0343/1193		092-03472-000	705641	12
	0373/1343, 0413/1443, 0443/1543, 0483/1693 thru 0523/1843		092-07073-003	865488	13

TABLE 6 - BASE ASSEMBLY (CONT'D)

ITEM	MODEL	DESCRIPTION	PART NUMBER	SAP NUMBER	FIGURE
22	0245/0865	Channel Side Outer L.H.	075-94093-001	679964	9
	0198/0688, 0263/0943		075-93241-001	636179	7
	0218/0788		075-94693-001	691008	9
	0248/0888, 0273/0963, 0278/0988 thru 0345/1215		075-89916-001	569825	8, 12
	0373/1343, 0413/1443, 0443/1543, 0483/1693 thru 0523/1843		092-07073-005	865490	13
23	0198/0688	Channel Side Outer L.H.	075-94106-001	700037	7
	0218/0788, 0245/0865		075-94694-001	679967	9
	0248/0888		075-93332-001	700030	8
	0263/0943		075-93242-001	636181	9
	0273/0963, 0278/0988, 0308/1088, 0318/1188, 0343/1193		075-89917-001	569826	8, 11, 12
	0295/1015		092-03478-003	854561	10
	0303/1093		092-03478-001	768364	10
	0305/1065		092-03536-001	717313	10
	0323/1143, 0345/1215		075-89917-001	569826	11, 12
	0333/1173		092-03529-001	768401	12
	0373/1343, 0413/1443		092-07073-005	865490	13
	0443/1543, 0483/1693 thru 0523/1843		092-07073-006	865491	13
24	0198/0688, 0245/0865, 0263/0943	Rail Base	075-89909-000	569820	7
	0248/0888	Channel Side Outer L.H.	075-93333-001	700032	8
	0273/0963		075-89918-005	694385	8
	0295/1015		092-03541-001	768410	10
	0303/1093		092-03479-001	768366	10
	0305/1065		092-03537-001	768406	10
	0308/1088, 0318/1188		092-03503-001	768379	11
	0278/0988, 0323/1143, 0343/1193		075-94074-001	674882	8, 11, 12
	0333/1173		092-03530-001	768403	12
	0345/1215		075-89918-001	569827	12
	0373/1343, 0413/1443		092-07011-006	874999	13
	0443/1543, 0483/1693 thru 0523/1843		092-07073-007	865492	13
25	0198/0688, 0245/0865, 0263/0943	Rail Base	075-93262-000	636182	7
	0248/0888	Channel Side Outer L.H.	075-93334-001	700034	8
	0273/0963		075-89192-001	679610	8
	0295/1015		092-03542-001	768412	10
	0303/1093		092-03487-001	768368	10
	0278/0988, 0318/1188, 0323/1143, 0345/1215		075-89919-001	569828	8, 11, 12
	0305/1065, 0308/1088, 0333/1173, 0343/1193		092-03472-001	705588	10, 12
	0373/1343, 0413/1443, 0443/1543, 0483/1693 thru 0523/1843		092-07073-008	865493	13

TABLE 6 - BASE ASSEMBLY (CONT'D)

ITEM	MODEL	DESCRIPTION	PART NUMBER	SAP NUMBER	FIGURE
26	0248/0888, 0273/0963, 0278/0988	Bracket, Mounting Oil Separato	092-03225-000	698458	8
	0198/0688	Rail Base	075-93258-001	873492	7
	0295/1015		075-93297-000	667049	10
	0303/1093		092-02996-000	705248	10
	0318/1188, 0345/1215		075-89928-000	705656	11, 12
	0245/0865	Channel Side Outer R.H.	075-94093-002	824502	9
	0305/1065		092-03472-000	705641	10
	0333/1173		092-03531-000	768404	12
	0308/1088, 0343/1193		092-03473-000	705652	12
0373/1343, 0413/1443	092-07011-008		875000	13	
27	0273/0963	Bracket, Glycol Pump	092-06146-000	769053	8
	0303/1093	Rail Base	075-93263-000	705244	10
	0245/0865	Channel Side Outer L.H.	075-94093-003	824503	9
	0305/1065		092-03538-001	717319	10
	0333/1173		092-03531-001	768405	12
	0318/1188, 0345/1215		075-89929-000	705657	11, 12
	0308/1088, 0343/1193		092-03473-001	705653	12
	0373/1343, 0413/1443		092-07011-014	875066	13
0443/1543, 0483/1693 thru 0523/1843	092-07073-004	865489	13		
28	0245/0865	Rail, Base	075-79521-002	873491	9
	0303/1093	Bracket, Glycol Pump	092-06146-000	769053	10
	0318/1188, 0345/1215	Channel Side Outer L.H.	075-89929-001	705681	11, 12
	0373/1343, 0413/1443		092-07011-013	875065	13
	0443/1543, 0483/1693 thru 0523/1843		092-07073-009	865494	13
29	0373/1343, 0413/1443, 0443/1543, 0483/1693 thru 0523/1843	Bracket, Glycol Pump	092-06146-000	769053	13
30	0373/1343	Support	092-14444-002	1031695	13
	0500/1700, 0523/1843	Discharge Line	092-14444-000	1031693	13
	0413/1443	Rail Base	092-07011-009	875061	13
	0443/1543, 0483/1693	Bracket Filter Drier	092-12668-000	917544	13
31	0373/1343, 0500/1700, 0523/1843	Support	092-14445-000	1031697	13
	0413/1443	Discharge Line	092-14444-001	1031694	13
	0443/1543, 0483/1693	Rail Support Base	092-07070-021	917541	13
32	0413/1443	Support Discharge Line	092-14445-000	1031697	13
	0443/1543, 0483/1693	Rail Support Base	092-07070-022	917542	13

TABLE 6 - BASE ASSEMBLY (CONT'D)

ITEM	MODEL	DESCRIPTION	PART NUMBER	SAP NUMBER	FIGURE
33	0443/1543, 0483/1693	Rail Support Base	092-07070-023	917543	13
34	0443/1543, 0483/1693	Bracket, Mounting Oil Separato	092-03225-000	698458	13
35	0443/1543, 0483/1693	Support Discharge Line	092-14445-002	1031698	13
37	0443/1543, 0483/1693	Support Discharge Line	092-14444-003	1031696	13
38	0443/1543, 0483/1693	Support Discharge Line	092-14445-000	1031697	13

NOTE: Items with an * are NOT represented.

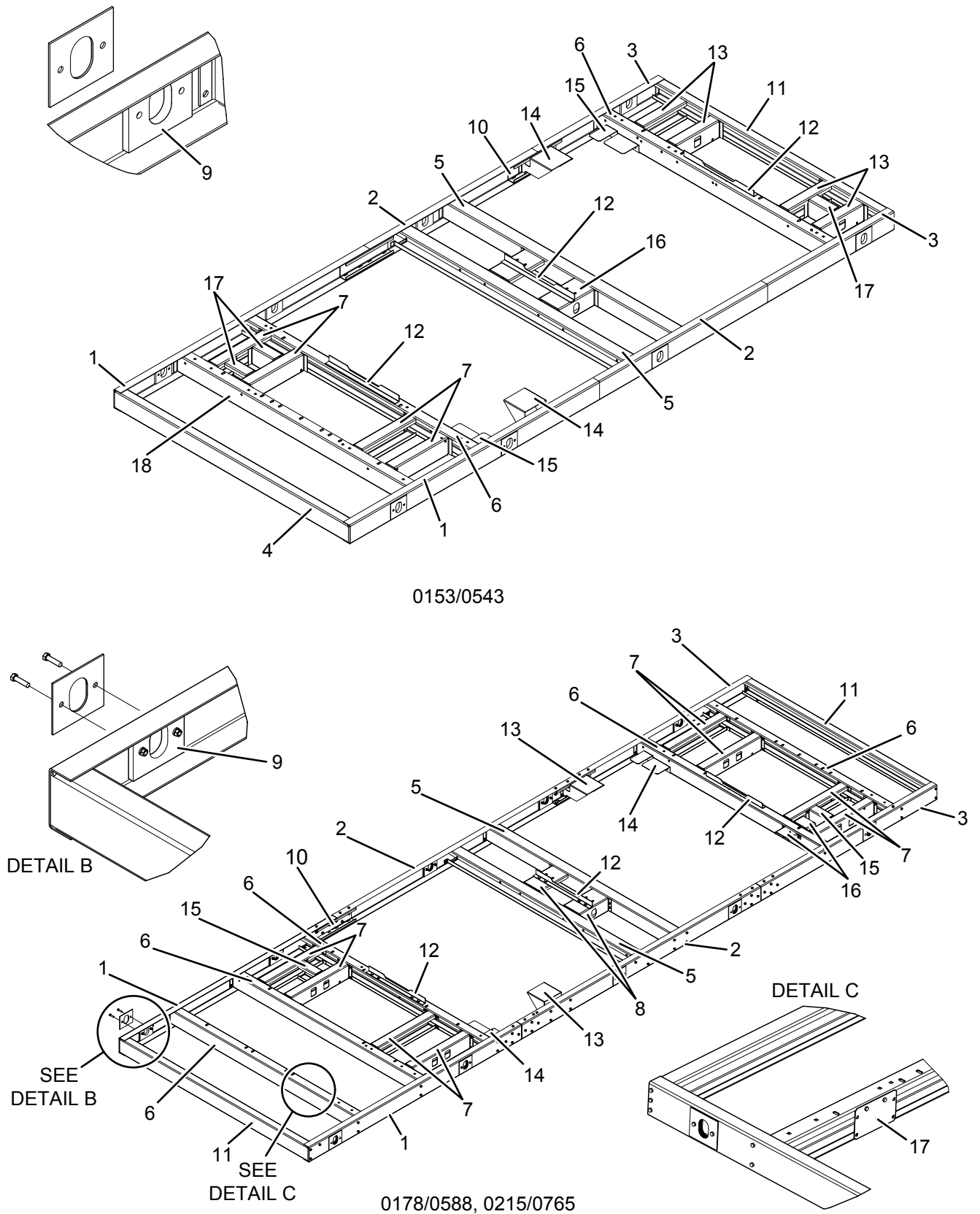
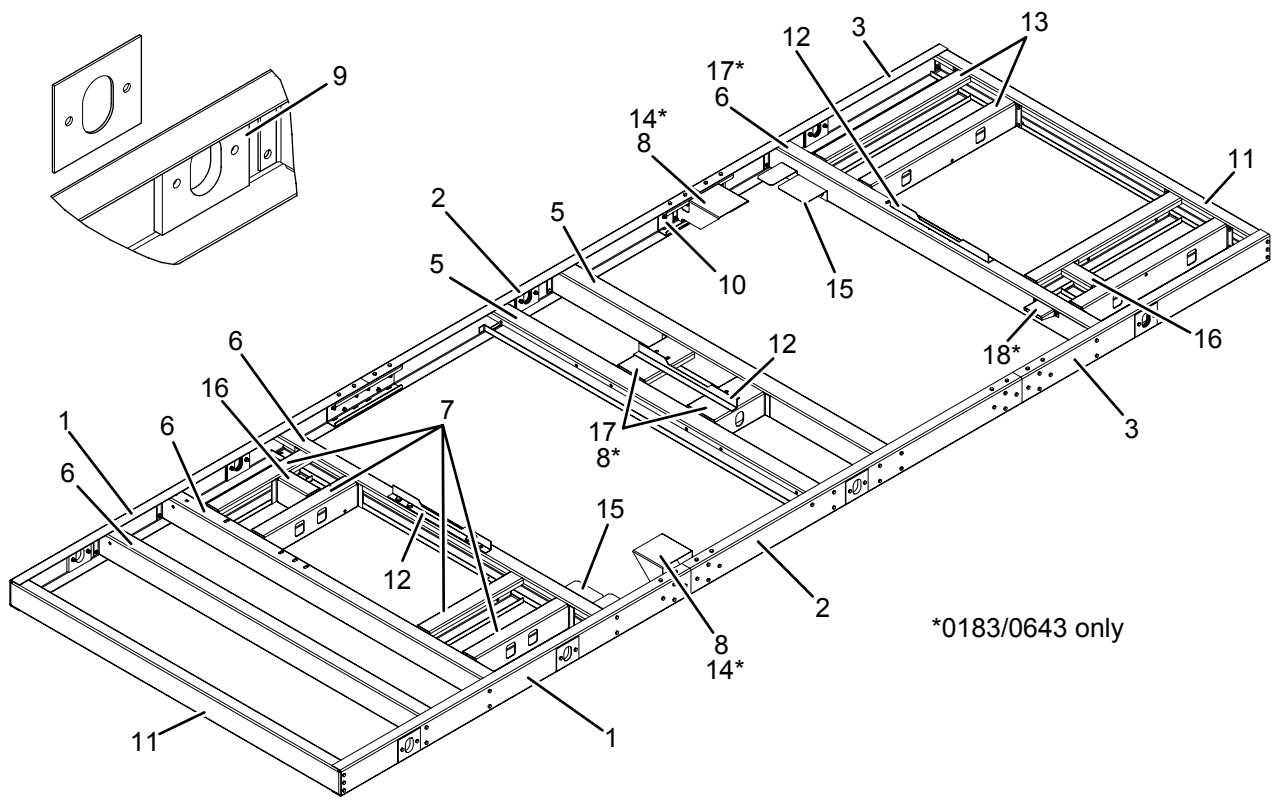
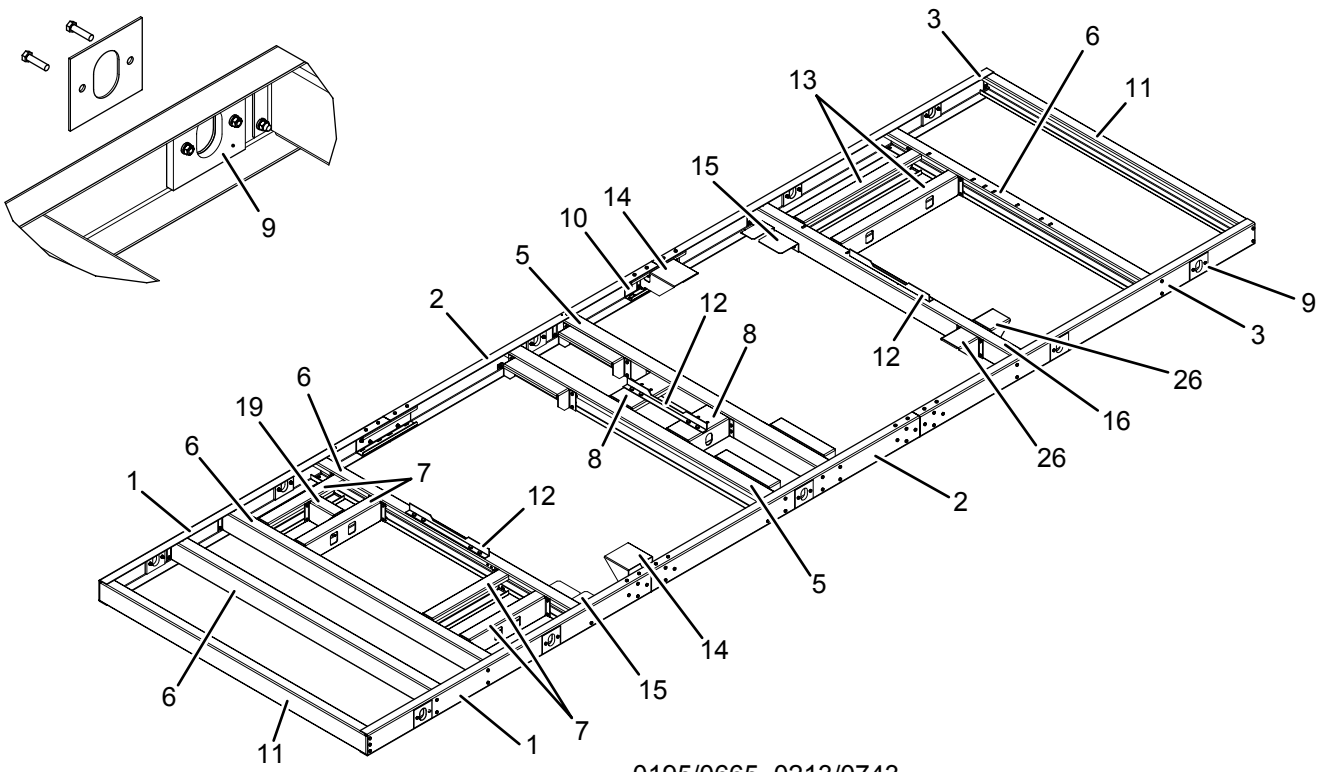


FIGURE 5 - BASE ASSEMBLY (0153/0543, 0178/0588, 0215/0765)



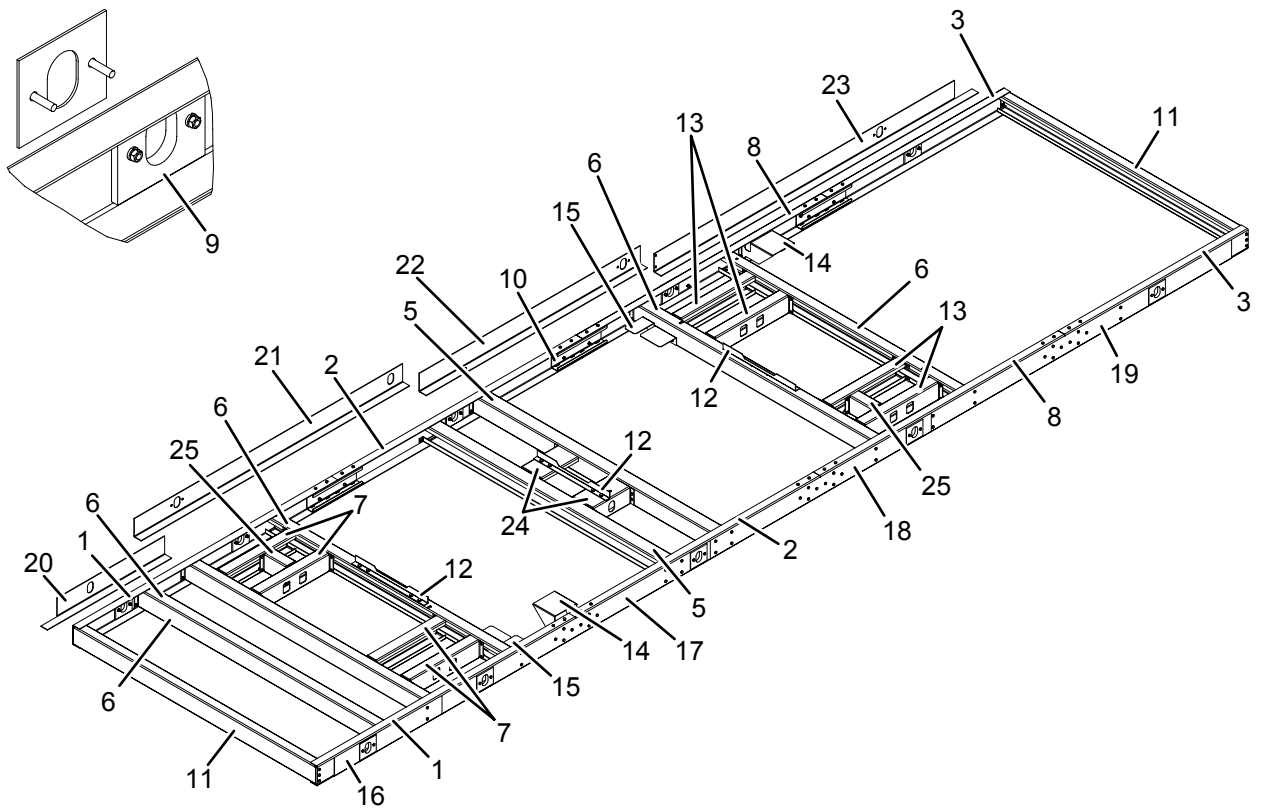
0165/0565, 0183/0643



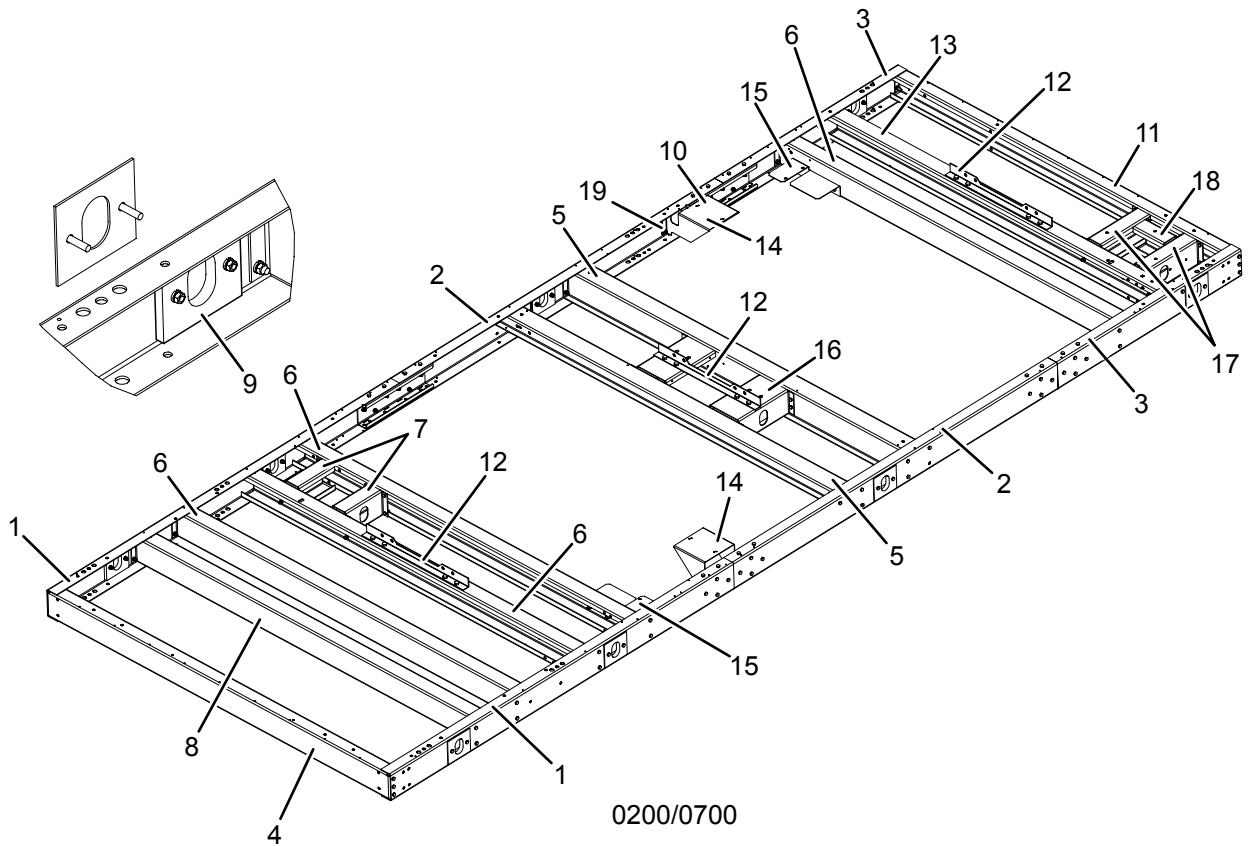
0195/0665, 0213/0743

LD17307

FIGURE 6 - BASE ASSEMBLY (0165/0565, 0195/0665, 0213/0743)



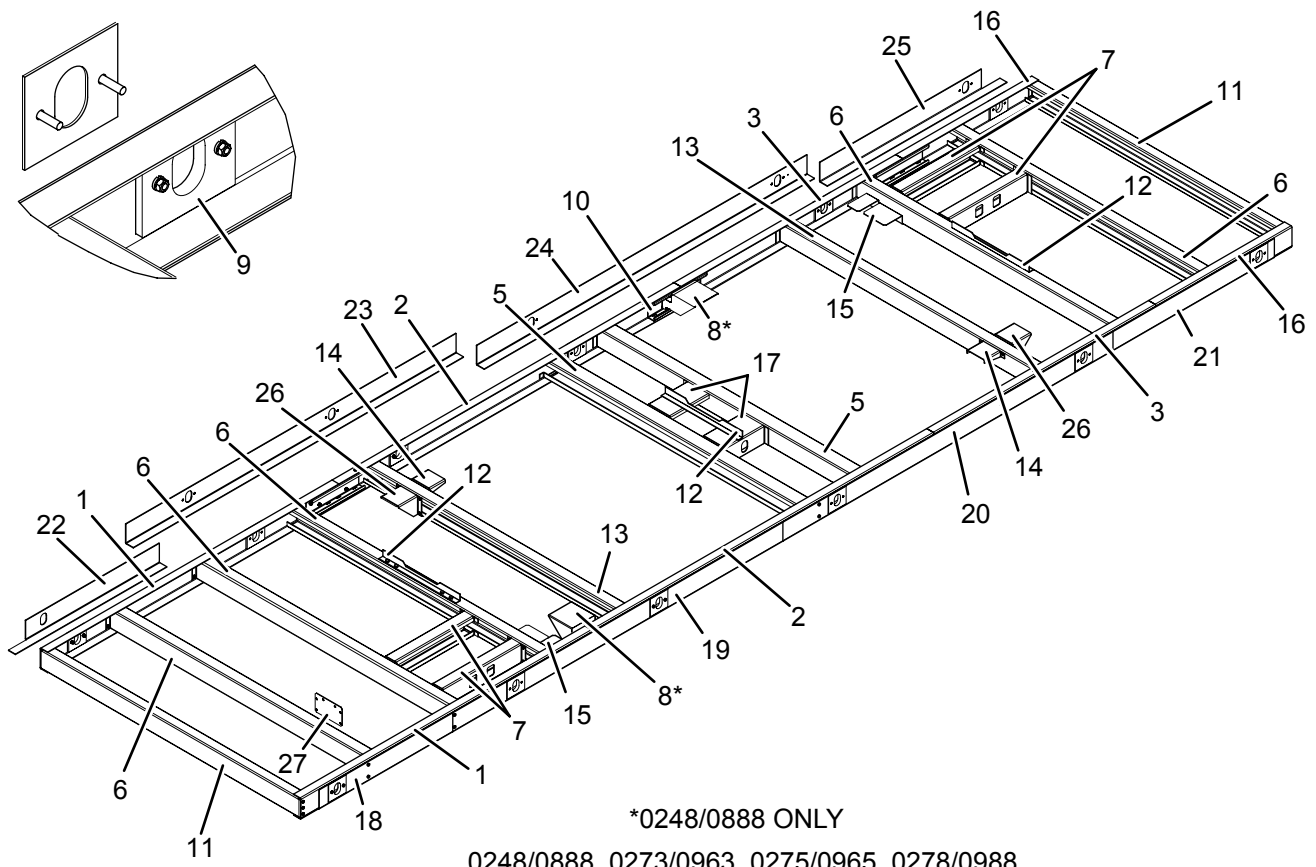
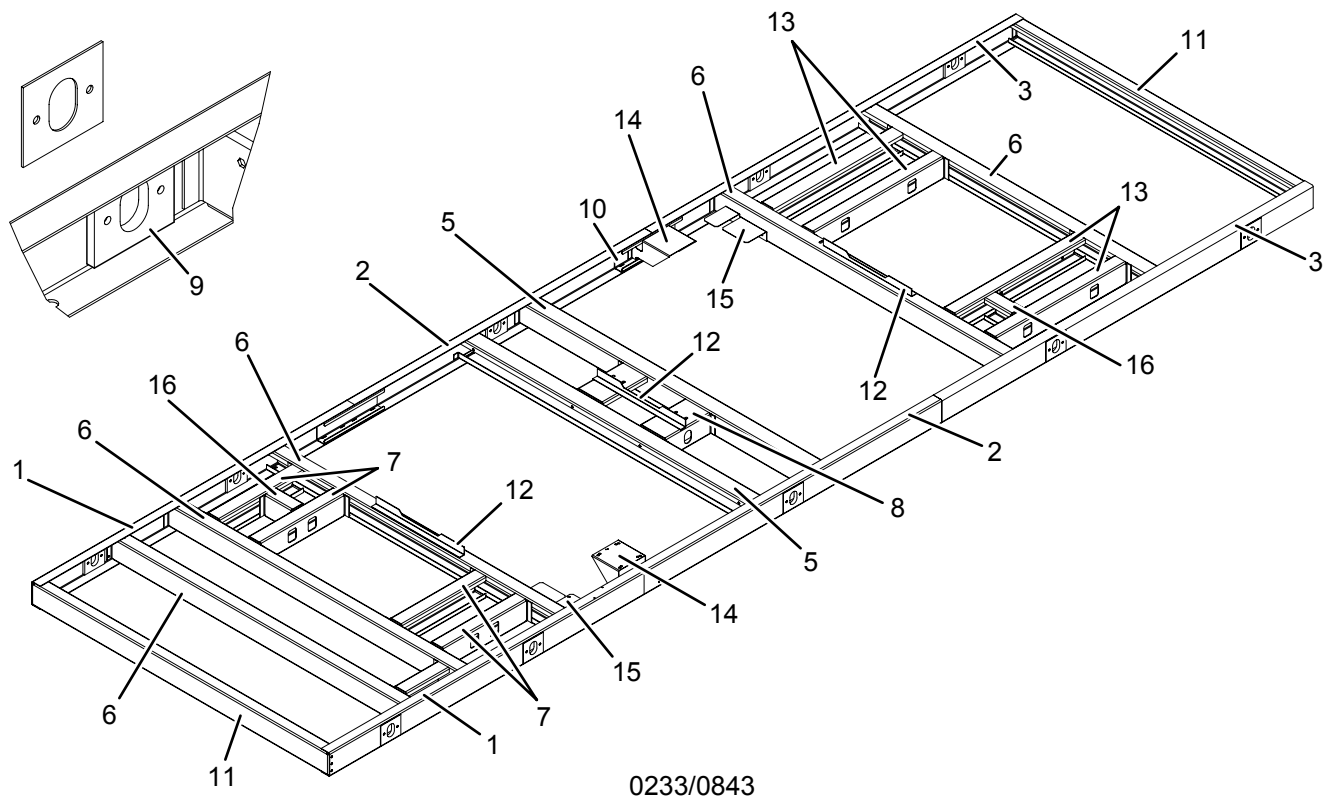
0198/0688



0200/0700

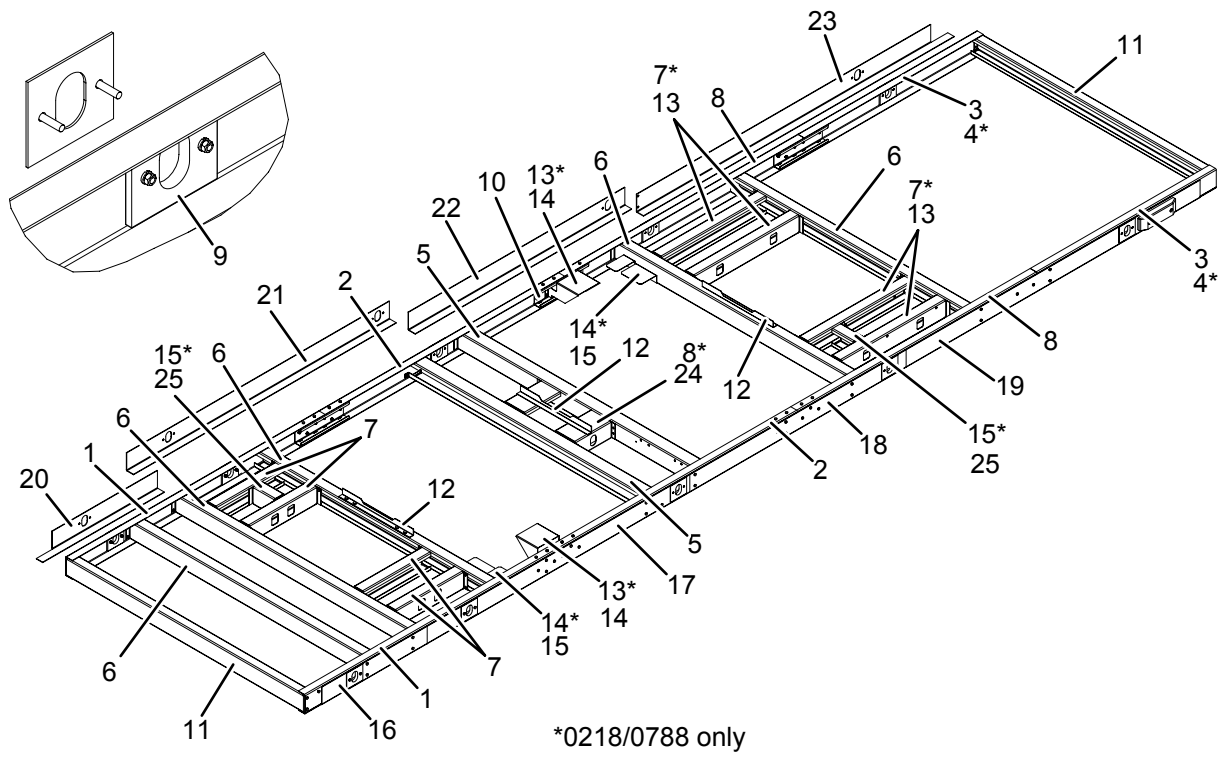
LD17308

FIGURE 7 - BASE ASSEMBLY (0198/0688, 0200/0700)

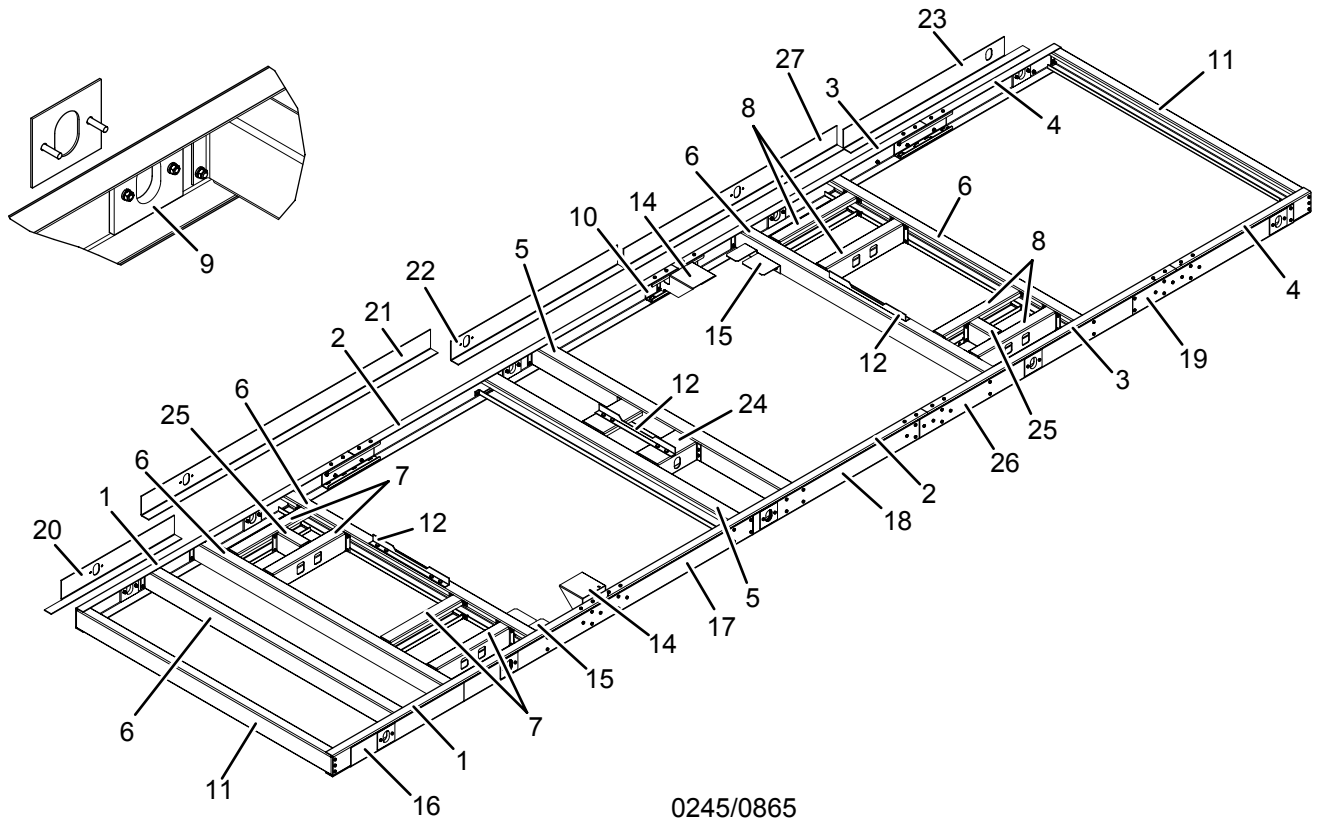


LD17309

FIGURE 8 - BASE ASSEMBLY (0233/0843, 0248/0888, 0273/0963, 0275/0965, 0278/0988)



*0218/0788 only
0218/0788, 0263/0943



0245/0865

LD17310

FIGURE 9 - BASE ASSEMBLY (0218/0788, 0263/0943, 0245/0865)

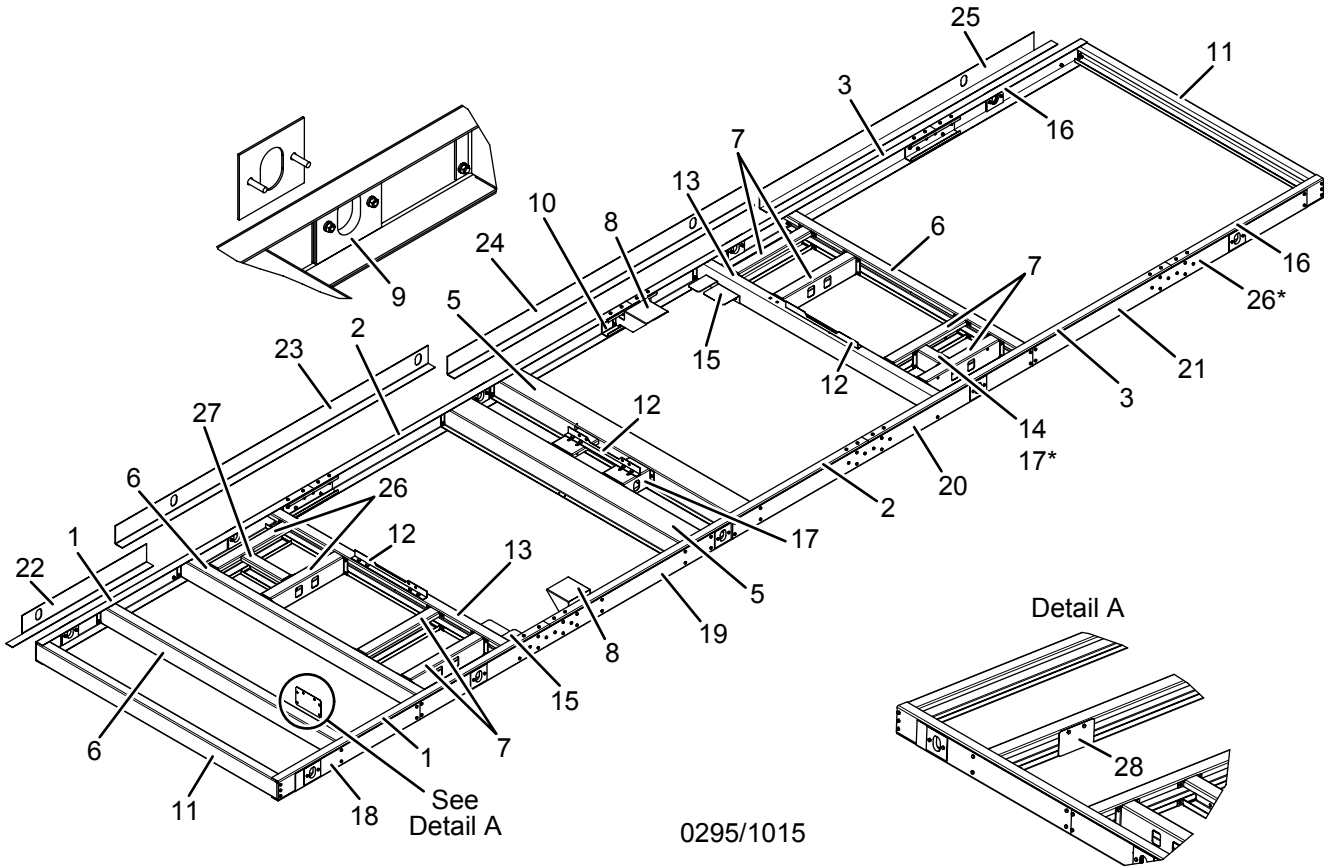
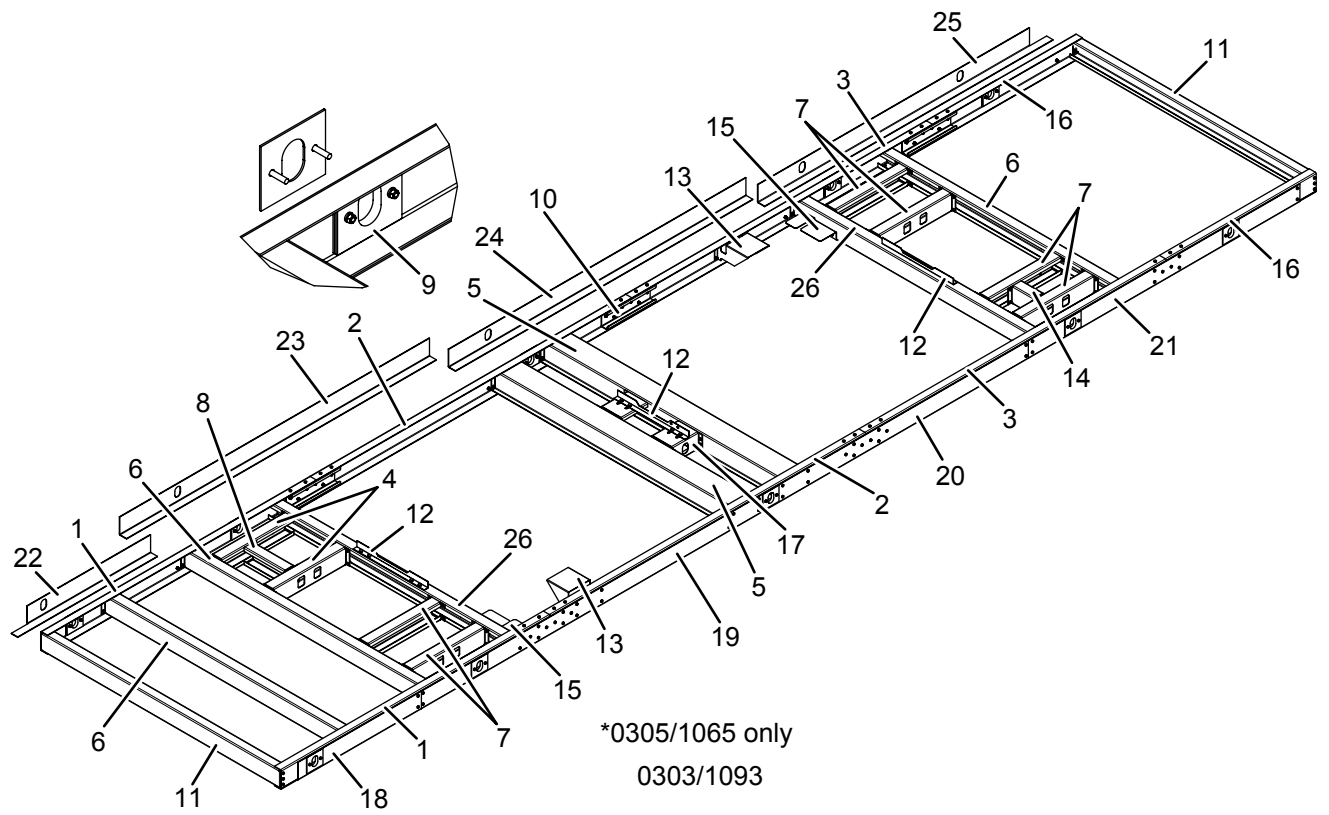
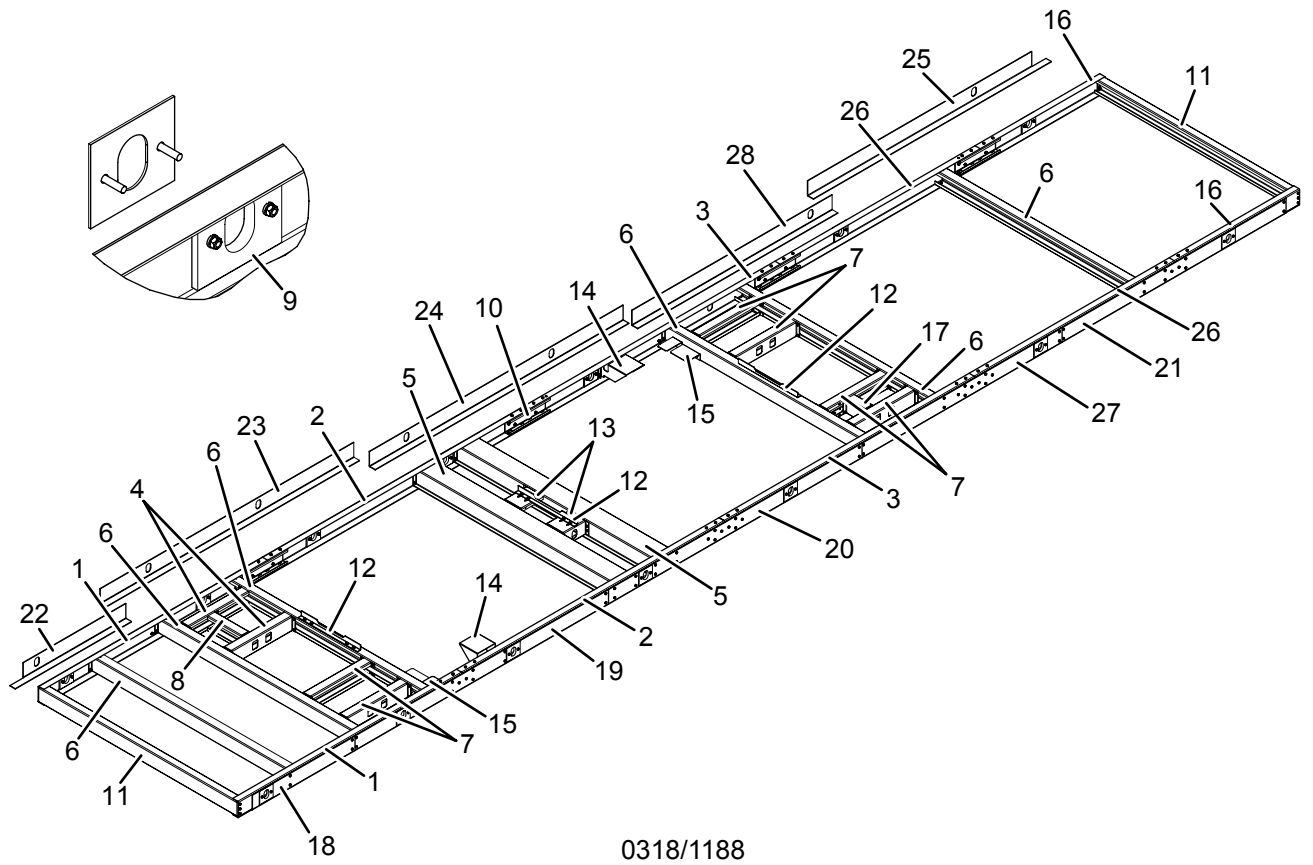
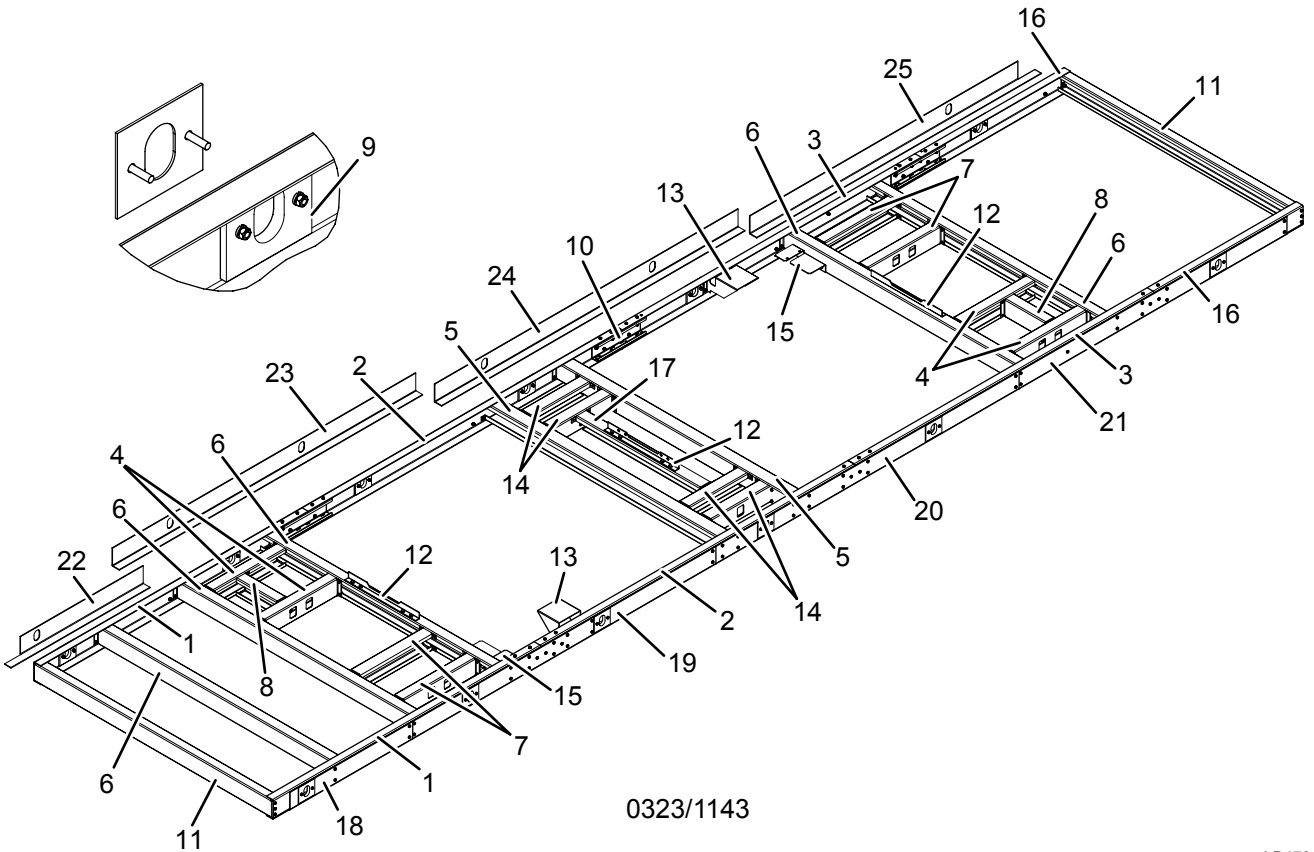


FIGURE 10 - BASE ASSEMBLY (0303/1093, 0305/1065, 0295/1015)

LD17311



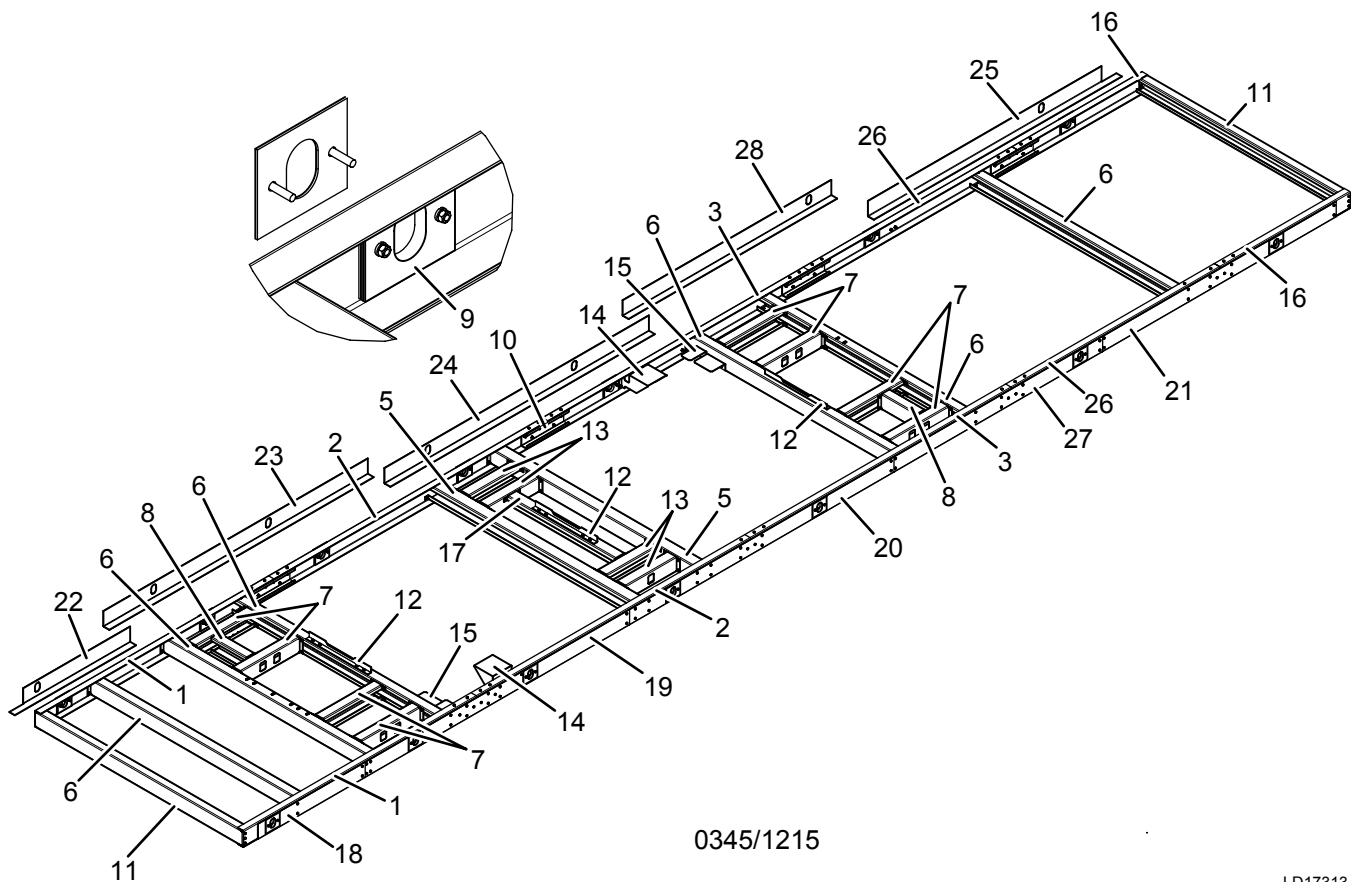
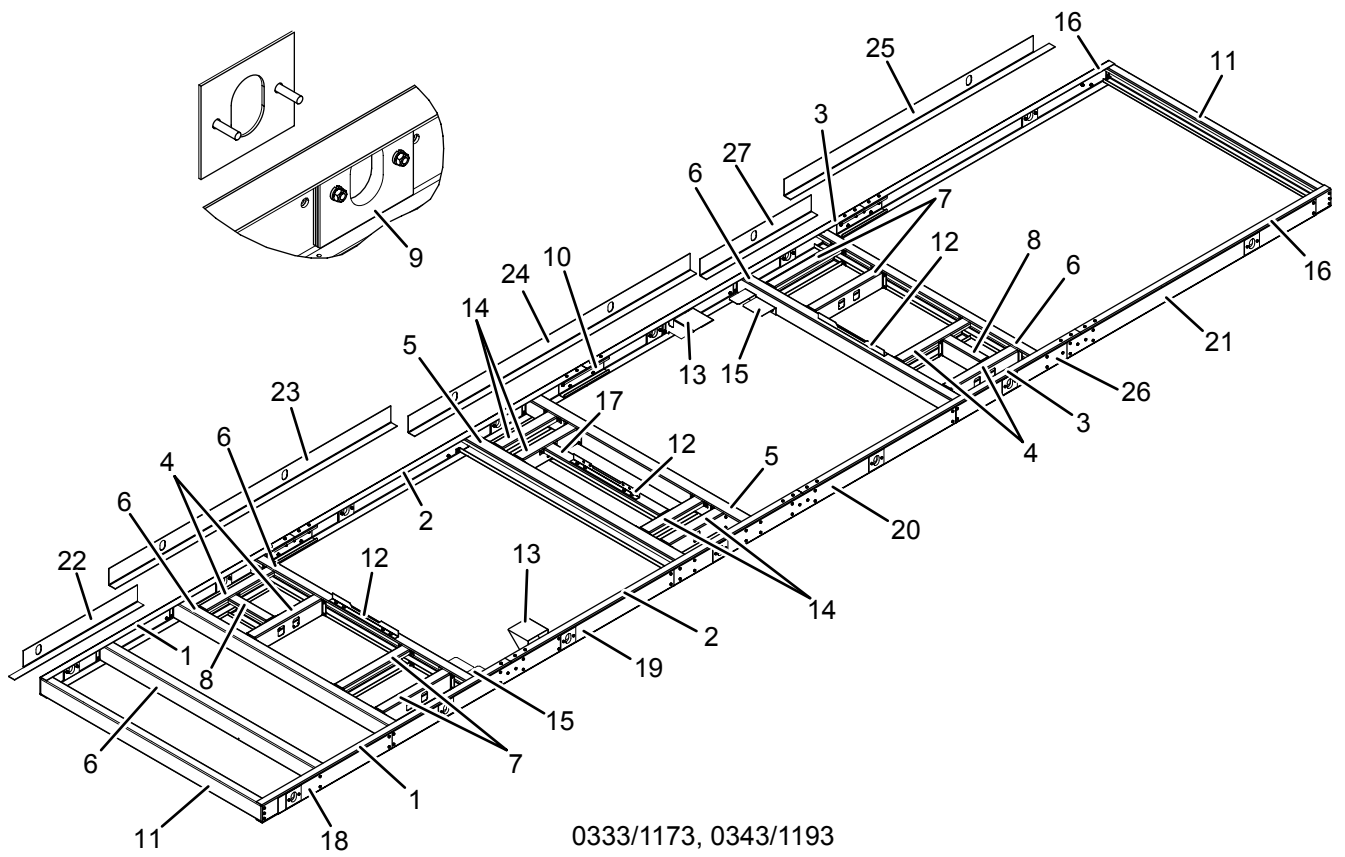
0318/1188



0323/1143

LD17312

FIGURE 11 - BASE ASSEMBLY (0318/1188, 0323/1143)



LD17313

FIGURE 12 - BASE ASSEMBLY (0333/1173, 0343/1193, 0345/1215)

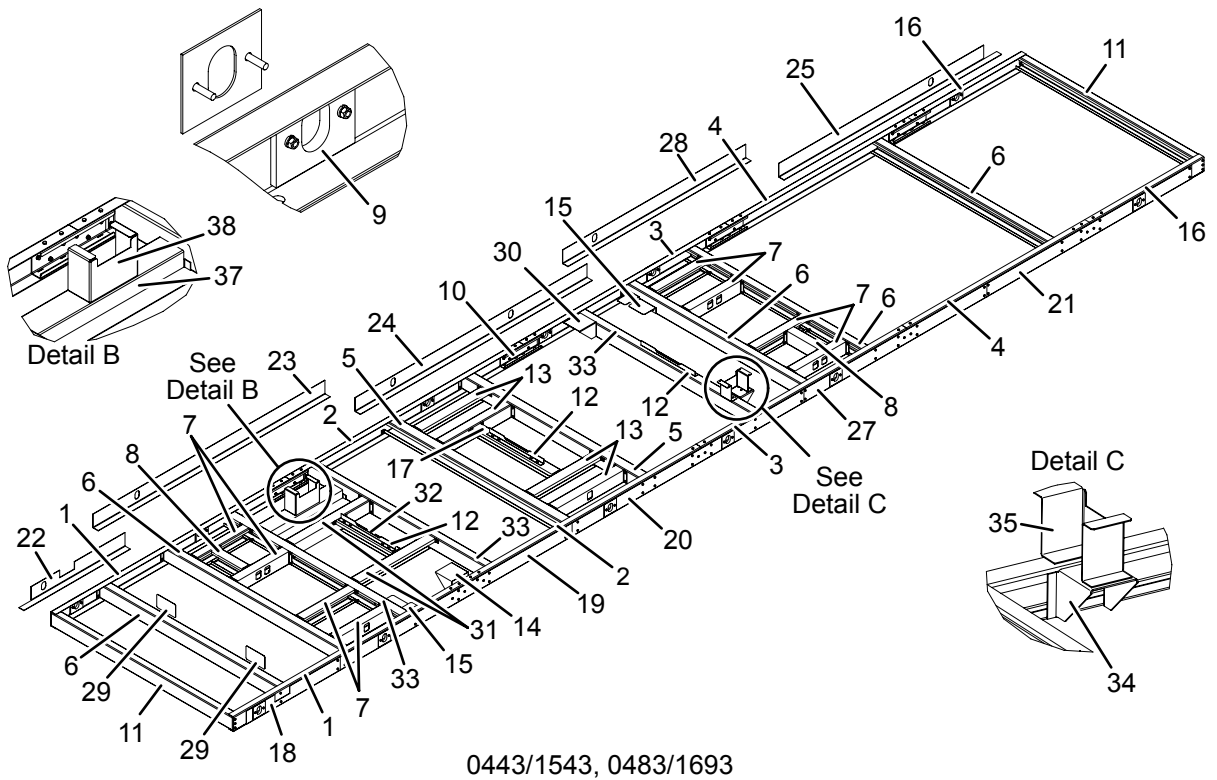
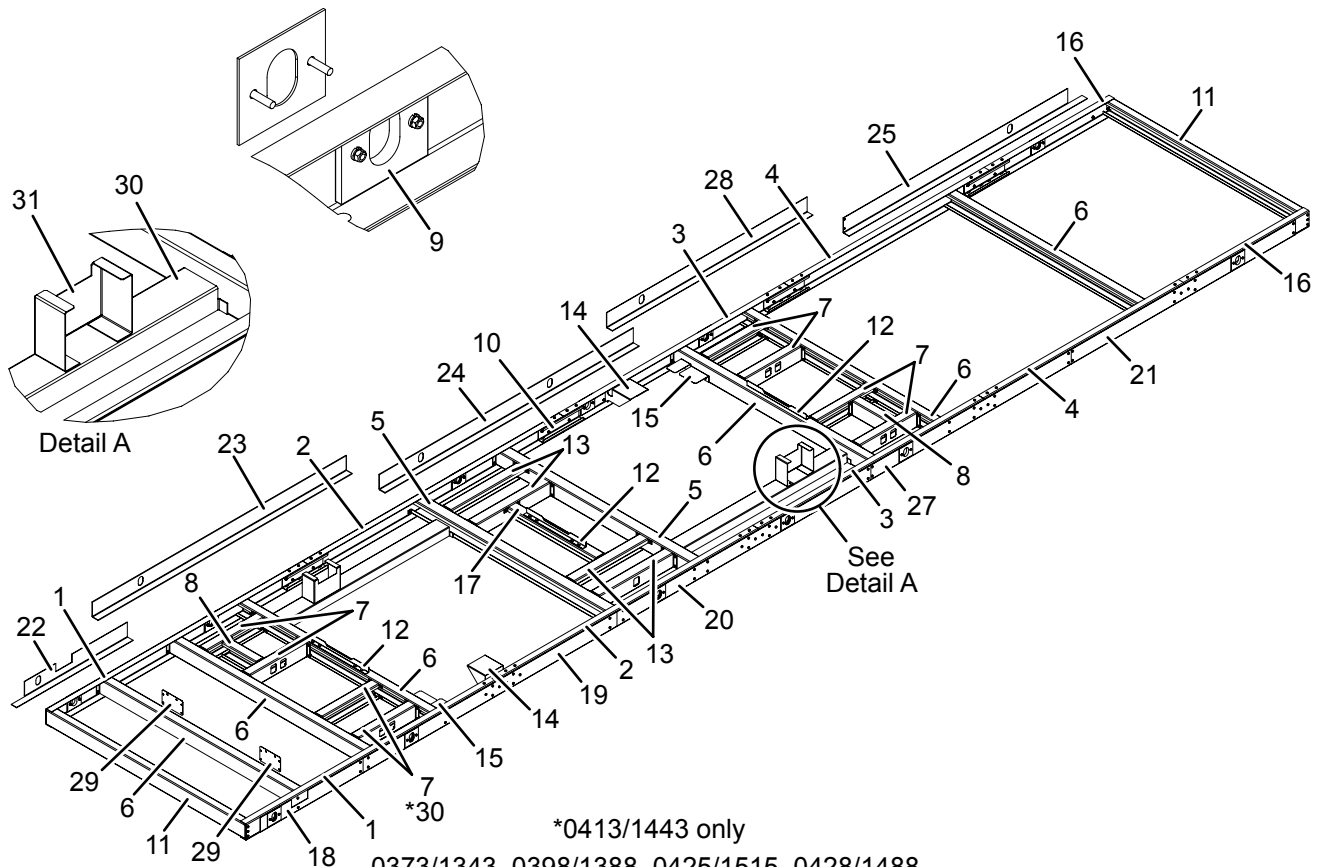


FIGURE 13 - BASE ASSEMBLY (0373/1343, 0413/1443, 0443/1543, 0483/1693, 0500/1700, 0523/1843)

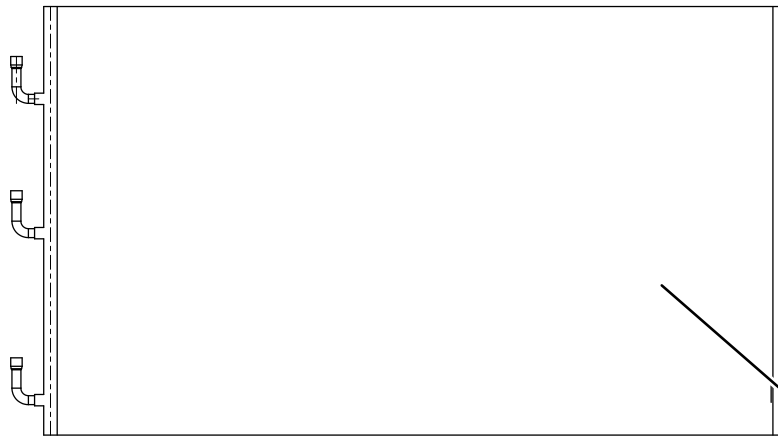
TABLE 7 - CONDENSER COILS

ITEM	MODELS	PIN 50 =	DESCRIPTION	PART NUMBER	SAP NUMBER	QTY.	FIGURE
2	0153/0543, 0200/0700	A	Coil	375-75763-101	395044	2	14
	0183/0643, 0233/0843			375-75763-101	395044	3	14
	0213/0743, 0263/0943, 0273/0963, 0303/1093			375-75763-101	395044	4	14
	0323/1143 thru 0343/1193			375-75763-101	395044	5	14
	0373/1343, 0413/1443, 0500/1700			375-75763-101	395044	6	14
	0443/1543, 0483/1693, 0523/1843			375-75763-101	395044	8	14
2A	0153/0543 thru 0273/0963	A	Coil	375-75763-101	395044	2	14
	0303/1093 thru 0373/1343			375-75763-101	395044	3	14
	0413/1443, 0483/1693 thru 0523/1843			375-75763-101	395044	4	14
2	0153/0543, 0200/0700	B	Coil Pre Coated	375-75763-105	792566	2	14
	0183/0643, 0233/0843			375-75763-105	792566	3	14
	0213/0743, 0263/0943, 0273/0963, 0303/1093			375-75763-105	792566	4	14
	0323/1143 thru 0343/1193			375-75763-105	792566	5	14
	0373/1343, 0413/1443, 0500/1700			375-75763-105	792566	6	14
	0443/1543, 0483/1693, 0523/1843			375-75763-105	792566	8	14
2A	0153/0543 thru 0273/0963	B	Coil Pre Coated	375-75763-105	792566	2	14
	0303/1093 thru 0373/1343			375-75763-105	792566	3	14
	0413/1443, 0483/1693 thru 0523/1843			375-75763-105	792566	4	14
2	0153/0543, 0200/0700	C	Coil Cu	375-75763-103	792564	2	14
	0183/0643, 0233/0843			375-75763-103	792564	3	14
	0213/0743, 0263/0943, 0273/0963, 0303/1093			375-75763-103	792564	4	14
	0323/1143 thru 0343/1193			375-75763-103	792564	5	14
	0373/1343, 0413/1443, 0500/1700			375-75763-103	792564	6	14
	0443/1543, 0483/1693, 0523/1843			375-75763-103	792564	8	14
2A	0153/0543 thru 0273/0963	C	Coil Cu	375-75763-103	792564	2	14
	0303/1093 thru 0373/1343			375-75763-103	792564	3	14
	0413/1443, 0483/1693 thru 0523/1843			375-75763-103	792564	4	14
2	0153/0543, 0200/0700	E	Coil Pre Coat- ed Tube-Fin	392-07095-107	860557	2	14
	0183/0643, 0233/0843			392-07095-107	860557	3	14
	0213/0743, 0263/0943, 0273/0963, 0303/1093			392-07095-107	860557	4	14
	0323/1143 thru 0343/1193			392-07095-107	860557	5	14
	0373/1343, 0413/1443, 0500/1700			392-07095-107	860557	6	14
	0443/1543, 0483/1693, 0523/1843			392-07095-107	860557	8	14
2A	0153/0543 thru 0273/0963	E	Coil Pre Coat- ed Tube-Fin	392-07095-107	860557	2	14
	0303/1093 thru 0373/1343			392-07095-107	860557	3	14
	0413/1443, 0483/1693 thru 0523/1843			392-07095-107	860557	4	14
2	0153/0543, 0165/0565, 0200/0700	M	Coil Microchannel	026-46798-000	741348	4	14
	0183/0643, 0195/0665, 0233/0843			026-46798-000	741348	6	14
	0178/0588, 0213/0743 thru 0218/0788, 0263/0943 thru 0275/0965, 0295/1015, 0303/1093			026-46798-000	741348	8	14
	0198/0688, 0245/0865, 0323/1143 thru 0343/1193			026-46798-000	741348	10	14
	0248/0888, 0278/0988, 0305/1065, 0308/1088, 0373/1343, 0500/1700			026-46798-000	741348	12	14
	0318/1188, 0345/1215			026-46798-000	741348	14	14
	0443/1543, 0475/1665, 0483/1693, 0523/1843			026-46798-000	741348	16	14

TABLE 7 - CONDENSER COILS (CONT'D)

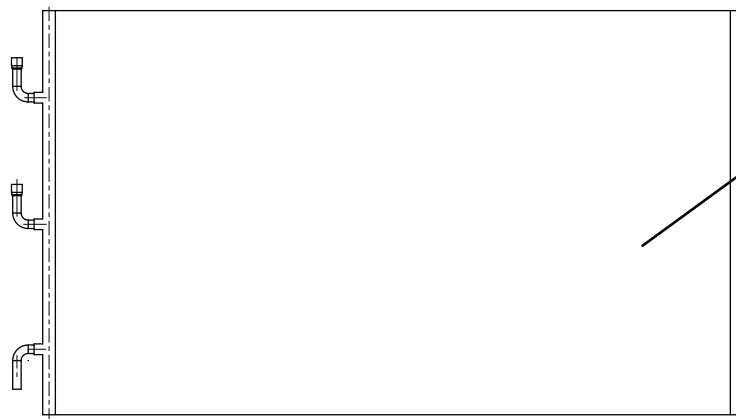
ITEM	MODELS	PIN 50 =	DESCRIPTION	PART NUMBER	SAP NUMBER	QTY.	FIGURE
2A	0195/0665, 0218/0788, 0233/0843, 0263/0943 thru 0275/0965	M	Coil Microchannel	026-46798-000	741348	2	14
	0153/0543 thru 0183/0643, 0198/0688 thru 0215/0765, 0245/0865, 0248/0888, 0278/0988			026-46798-000	741348	4	14
	0295/1015 thru 0345/1215, 0373/1343			026-46798-000	741348	6	14
	0443/1543 thru 0523/1843			026-46798-000	741348	8	14
2	0153/0543, 0200/0700	N	Post Coated Microchannel	326-46798-000	696081	4	14
	0183/0643, 0195/0665, 0233/0843			326-46798-000	696081	6	14
	0178/0588, 0213/0743 thru 0218/0788, 0263/0943 thru 0275/0965, 0295/1015, 0303/1093			326-46798-000	696081	8	14
	0198/0688, 0245/0865, 0323/1143 thru 0343/1193			326-46798-000	696081	10	14
	0248/0888, 0278/0988, 0305/1065, 0308/1088, 0500/1700			326-46798-000	696081	12	14
	0318/1188, 0345/1215			326-46798-000	696081	14	14
	0165/0565			326-46798-000	696081	16	14
2A	0195/0665, 0218/0788, 0233/0843, 0263/0943, 0273/0963, 0275/0965, 0323/1143	N	Post Coated Microchannel	326-46798-000	696081	2	14
	0153/0543 thru 0183/0643, 0198/0688 thru 0215/0765, 0245/0865, 0248/0888, 0278/0988			326-46798-000	696081	4	14
	0295/1015 thru 0318/1188, 0333/1173 thru 0345/1215			326-46798-000	696081	6	14
	0475/1665 thru 0523/1843			326-46798-000	696081	8	14
2	0153/0543, 0200/0700	P	Coil Post Coated	375-75763-107	792568	2	14
	0183/0643, 0233/0843, 0303/1093			375-75763-107	792568	3	14
	0213/0743, 0263/0943, 0273/0963			375-75763-107	792568	4	14
	0323/1143 thru 0343/1193			375-75763-107	792568	5	14
	0373/1343, 0413/1443, 0500/1700			375-75763-107	792568	6	14
	0443/1543, 0483/1693, 0523/1843			375-75763-107	792568	8	14
2A	0153/0543, 0183/0643, 0200/0700, 0213/0743, 0263/0943, 0273/0963	P	Coil Post Coated	375-75763-107	792568	2	14
	0303/1093, 0323/1143 thru 0343/1193, 0373/1343			375-75763-107	792568	3	14
	0413/1443, 0443/1543, 0483/1693, thru 0523/1843			375-75763-107	792568	4	14

NOTE: Items with an * are NOT represented.



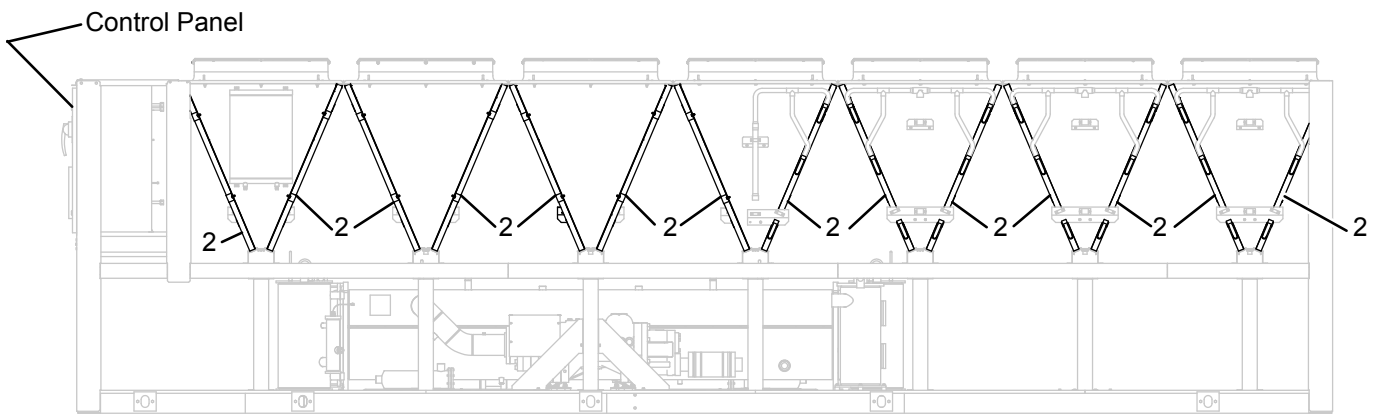
026-45677-000 (microchannel, standard aluminum)
326-45677-000 (microchannel, post coated)

MAXIMUM WORKING PRESSURE = 375 PSIG



026-46798-000 (microchannel, standard aluminum)
326-46798-000 (microchannel, post coated)

MAXIMUM WORKING PRESSURE = 375 PSIG



0218/0788. 0263/0943. 0275/0965 SHOWN

LD15159

FIGURE 14 - CONDENSER COILS, TYPICAL CONFIGURATION

TABLE 8 - EVAPORATOR WATERBOX HEATER KITS

MODEL	KIT PART NUMBER	
	200, 230, 380, 460 AND 575V	380 415V 50HZ
0153/0543	375 94414 001	375 94414 002
0165/0565 0198/0688 0233/0843 0263/0943	375 94414 003	375 94414 004
0178/0588 0218/0788 0248/0888 0303/1093 thru 0305/1065 0333/1173	375 94414 005	375 94414 006
0183/0643 thru 0195/0665 0213/0743	375 94414 007	375 94414 008
0200/0700	375 94414 009	375 94414 010
0215/0765	375 94414 011	375 94414 012
0245/0865	375 94414 013	375 94414 014
0273/0963 thru 0295/1015 0308/1088 thru 0323/1143 0343/1193 thru 0523/1843	375 94414 015	375 94414 016

1. See Table 12 on page 58 for Water Box Heater Parts.

TABLE 9 - EVAPORATOR WATERBOX HEATER

ITEM	VOLTAGE	MODELS	DESCRIPTION	PART NUMBER	SAP NUMBER	QTY	FIGURE
1	ALL	ALL	Bracket Support Terminal	075-94416-000	762100	1	15
8	ALL	ALL	Enclosure Distribution IP65	025-42792-000	683771	1	15
9	ALL	ALL	Ground Terminal Block	029-25918-000	683772	2	15
10	ALL	ALL	Circuit Breaker, 2 Pole	024-37464-000	683773	1	15
11	17, 28, 40, 42, 45, 58	ALL	Heater, Screw Plug Immersion	025-42430-000	556345	2	15
	025-44460-000			740496	2	15	
12	ALL	0153/0543, 0200/0700	Immer. Htr 1/Jb Eth1	575-77880-243	683774	1	15
		0165/0565, 0183/0643, 0195/0665, 0198/0688, 0213/0743, 0233/0843, 0245/0865, 0263/0943		575-77880-281	710429	1	15
		0178/0588, 0215/0765, 0218/0788, 0248/0888, 0273/0963 thru 0295/1015, 0303/1093 thru 0323/1143, 0333/1173, 0343/1193 thru 0523/1843		575-77880-284	808460	1	15
13	ALL	0153/0543	Immer. Htr 1/Jb Eth2	575-77880-244	808446	1	15
		0165/0565, 0198/0688, 0233/0843, 0263/0943	Immer. Htr 2/Jb Eth2	575-77880-282	710472	1	15
		0178/0588, 0215/0765, 0218/0788, 0248/0888, 0303/1093, 0305/1065, 0333/1173		575-77880-285	808461	1	15
		0183/0643, 0195/0665, 0200/0700, 0213/0743		575-77880-287	808463	1	15
		0245/0865		575-77880-290	808466	1	15
		0273/0963 thru 0295/1015, 0308/1088 thru 0323/1143, 0343/1193 thru 0523/1843		575-77880-292	808468	1	15
0153/0543	Wiring Harness	575-77880-245		808447	1	15	
0165/0565, 0198/0688, 0233/0843, 0263/0943		575-77880-283	710473	1	15		
0178/0588, 0218/0788, 0248/0888, 0303/1093, 0305/1065, 0333/1173		575-77880-286	808462	1	15		
0183/0643, 0195/0665, 0213/0743, 0200/0700		575-77880-288	808464	1	15		
0215/0765, 0273/0963 thru 0295/1015, 0308/1088 thru 0323/1143, 0343/1193 thru 0523/1843		575-77880-289	808465	1	15		
0245/0865		575-77880-291	808467	1	15		
15	ALL	ALL	Wiring Harness Crossover	575-84742-001	683777	1	15

TABLE 9 - EVAPORATOR WATERBOX HEATER (CONT'D)

ITEM	VOLTAGE	MODELS	DESCRIPTION	PART NUMBER	SAP NUMBER	QTY	FIGURE
16	ALL	ALL	Strap Cable Black	025-23765-003	524590	12	15
19	ALL	ALL	Relay Base	024-37460-000	683780	1	15
20	ALL	ALL	Relay	024-37461-000	683781	1	15
21	ALL	ALL	Hsg Connr Electrical Plug	025-19671-000	737534	1	15
23	ALL	ALL	Din Rail L = 101.60Mm W = 35.00mm D = 7.50mm	071-01472-423	854472	1	15

NOTE: Items with an * are NOT represented.

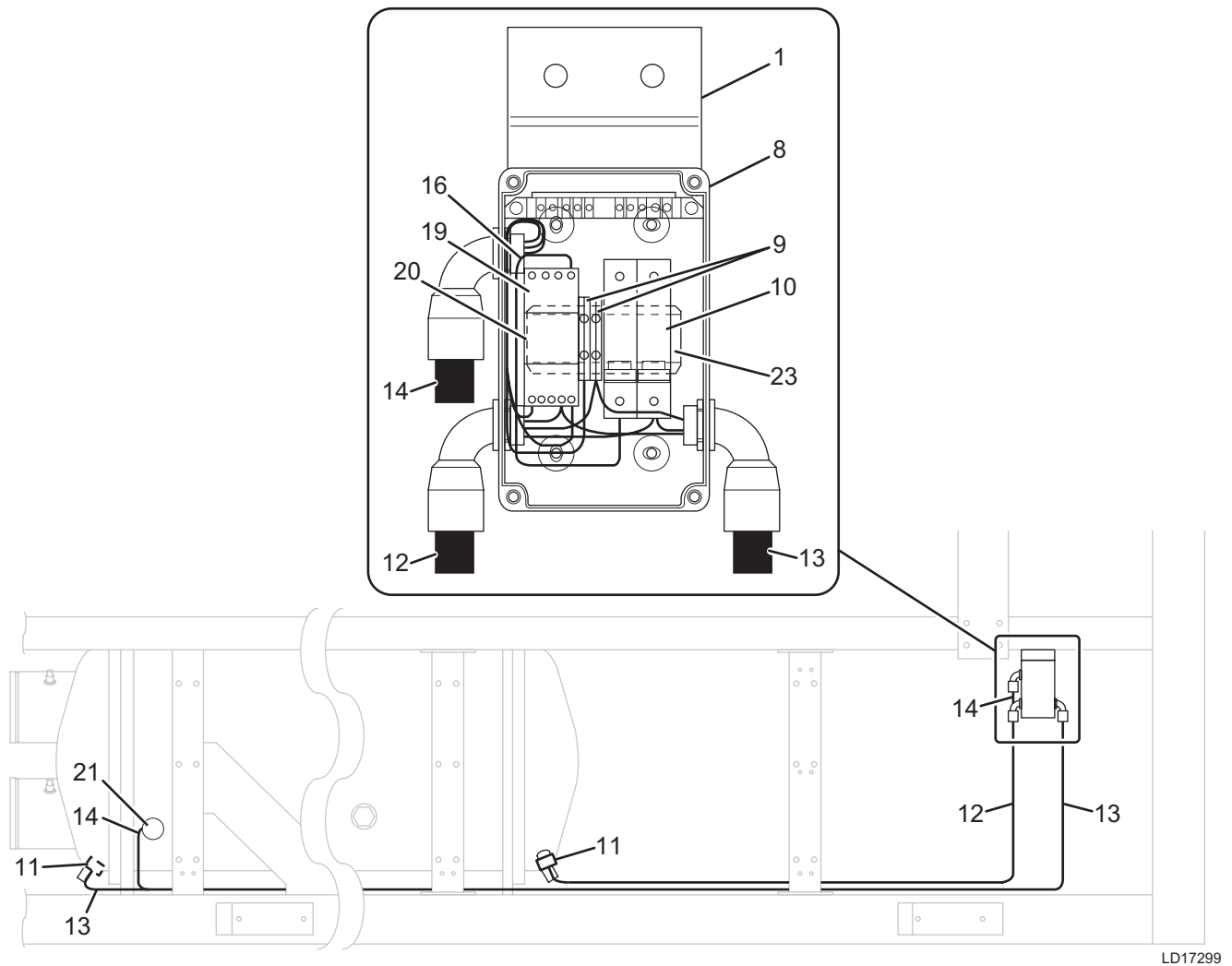
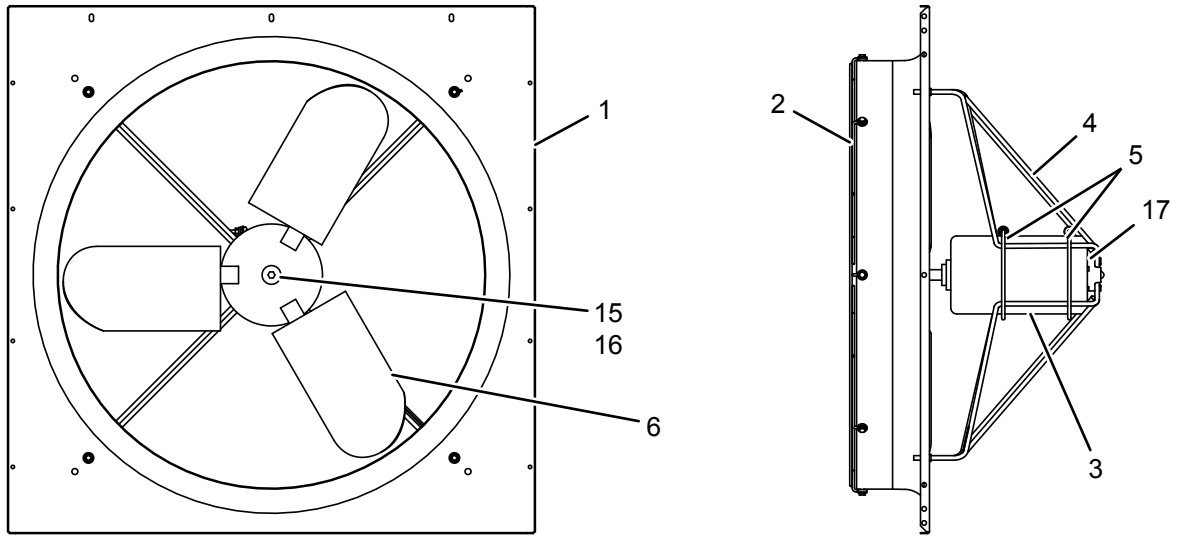


FIGURE 15 - EVAPORATOR WATERBOX HEATER

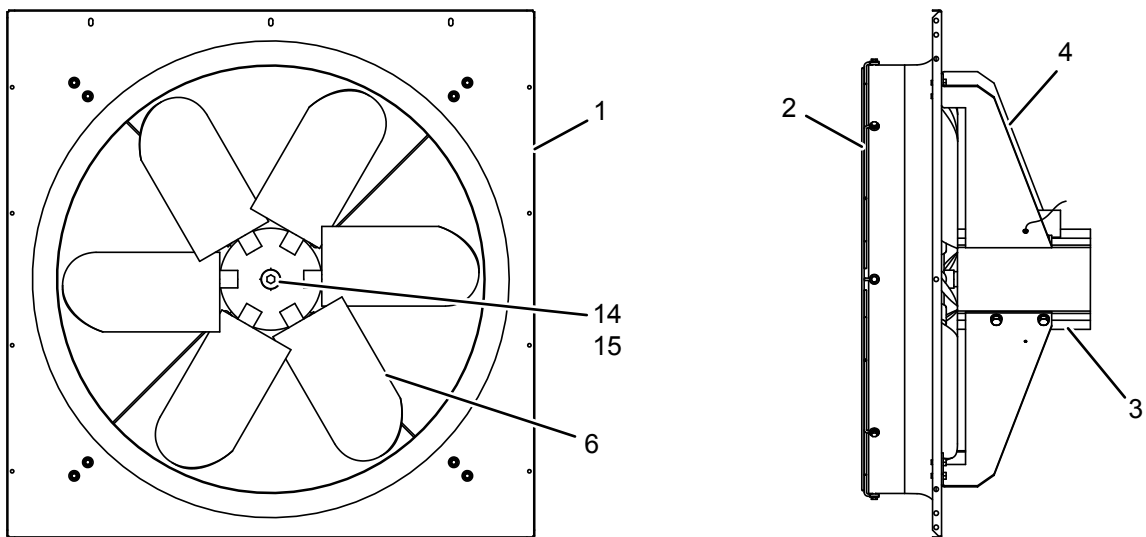
TABLE 10 - FAN COMPONENTS FOR LOW SOUND, ULTRA QUIET AND HIGH FLOW / HIGH STATIC FANS

ITEM	DESCRIPTION	VOLT-AGE CODE	FAN TYPE				FIGURE
			LOW SOUND	ULTRA QUIET FAN	HIGH AIR-FLOW	HIGH STATIC	
1	Orifice, Flanged	ALL	026-45682-000				16
2	Guard, Fan	ALL	026-46008-000				16
	Guard, Fan Ce	50	026-46008-001				16
3	Motor, Fan, 2 Hp, 6 Pole, 950 RPM	17, 28, 46, 50, 58	024-36873-107	----	----	----	16
	Motor, Fan, 2 Hp, 6 Pole, 1150 RPM	40, 42	024-36873-104	----	----	----	16
	Motor, Fan, 8 Pole, 690/850 RPM	17, 28, 46, 58	----	024-34980-101	----	----	16
	Motor, Fan, 8 Pole, 850 RPM	40, 42	----	024-34980-105	----	----	16
	Motor, Fan, 8 Pole, 690 RPM	50	----	024-34980-103	----	----	16
	Motor, Fan, 5 Hp, 6 Pole, 1150 RPM	17, 28, 46, 58	----	----	024-36874-003	024-36081-003	16
	Motor, Fan, 5 Hp, 1150 RPM	40, 42	----	----	024-36874-002	024-36081-003	16
	Motor, Fan, 5 Hp, 6 Pole, 950 RPM	50	----	----	024-36874-004	024-36081-003	16
4	Support, Fan Motor	17, 28, 46, 50, 58	026-46735-000	----	----	----	16
	Support, Fan Motor	40, 42	026-46735-000	----	----	----	16
	Support, Fan Motor	ALL	----	026-45533-000	----	----	16
	Bracket, Fan Support	ALL	----	----	075-67014-000	075-67014-000	16
5	Support, Ring	ALL	026-36367-000	----	----	----	16
6	Fan Impeller, 900mm	17, 28, 46, 40, 42, 58	026-41594-000	----	----	----	16
	Fan Impeller, 900mm	50	026-41943-000	----	----	----	16
	Fan Impeller, 900mm	17, 28, 46, 50, 58	----	026-41942-000	----	----	16
	Fan Impeller, 900mm	50	----	026-45549-000	----	----	16
	Fan Impeller, 900mm	17, 28, 46, 40, 58	----	----	026-45538-000	026-45538-000	16
	Fan Impeller, 900mm	50	----	----	026-46066-000	026-46066-000	16
10	Screw, Cap Hex Head, M8 X 1.25-6g	ALL	021-18494-000	----	----	----	16
	Screw, Cap Hex Head, M10 1.5-6h	ALL	----	----	021-17791-000	021-17791-000	16
14	Spacer, Fan Motor	ALL	----	----	075-40485-000	075-40485-000	16
15	Spacer, Fan Motor	ALL	075-29007-000	----	----	----	16
	Spacer, Fan Motor	ALL	----	----	075-67017-000	075-67017-000	16
16	Spacer, Fan Motor	ALL	075-40484-000	----	----	----	*
17	Hub, Square	ALL	026-41939-005	----	----	----	16

NOTE: Items with an * are NOT represented.



LOW SOUND AND ULTRA QUIET FAN



HIGH FLOW / HIGH STATIC FAN

LD15905

FIGURE 16 - FAN COMPONENTS FOR LOW SOUND, ULTRA QUIET AND HIGH FLOW / HIGH STATIC FANS

TABLE 11 - PIPING ASSEMBLY 0153 / 0543

ITEM	PIN 35 =	DESCRIPTION	PART NUMBER	SAP NUMBER	QUANTITY	FIGURE
1	ALL	Muffler Discharge	375-89871-000	549123	2	17
4	ALL	Evap. Waterbox Drain Kit	392-07157-000	900408	1	17
203	ALL	Red Sld Ftg X C 2-5/8 X	023-08579-000	371720	2	17
205	ALL	Dehydrator Less Cores	026-16960-000	740681	2	17
206	ALL	Valve	022-09779-000	731283	2	17
208	ALL	Valve Shut Off Ball Valve	022-11326-000	731365	2	17
211	ALL	Valve Expansion Electronic	025-41565-000	346234	2	17
212	ALL	Indicator Moist Liquid Body	026-32399-000	740784	4	17
213	ALL	Indicator Moist Liquid Cap	026-32800-000	740799	4	17
215	ALL	Valve Angle Compr Mueller	022-11358-000	731384	2	17
218	ALL	Fitting, 37 Deg. Flared Tube	023-18945-000	556321	4	17
216	ALL	Eductor Assembly	375-79597-000	549137	2	17
		Block, Oil Eductor	026-47323-000	994839	2	17
		Filter Drier 3/8 Orfs	026-37563-000	740969	2	17
		O-Ring Neo1 00.364ld .070Thk M	028-12961-012	618648	8	17
		O-Ring Neo1 00.924ld .116Thk M	028-12961-006	588821	2	17
		O-Ring Neo1 00.739ld .070Thk M	028-12961-015	618651	2	17
220	ALL	Valve Ball 1/2 Od (C X C) YCAS	022-09172-000	731238	2	17
222	ALL	Valve, Charging Brass	022-09754-000	391983	6	17
224	ALL	Gasket Flange 3.00 Id 5.75 Bc	028-15296-001	742120	2	17
225	ALL	Ctg Dehy 100 Percent Molecular	026-37540-000	740964	6	17
226	ALL	Gasket Round Flange Ansi 300 #	028-15965-001	742176	2	17
228	ALL	Switch Liquid Level	025-43324-101	636214	2	17
229	ALL	Valve Expansion Electronic	025-44027-000	740403	2	17
230	ALL	Plug Pipe 1/4 NPTE Square	023-01195-000	711235	2	17
232	ALL	Valve, Transducer 1/4 Mpt X	022-09503-000	731261	2	17
233	ALL	Valve, Ball 1-5/8 Ods Conn's	022-08883-000	731236	2	17
235	ALL	Valve, Ball 3/8" Ods Conn	022-11906-000	695896	2	17
264	ALL	Check Valve 1-5/8" CMV-26S	022-12037-000	577074	2	17
280	ALL	Valve Ball 3/4 Ods	022-09580-000	48288	2	17

NOTE: Items with an * are NOT represented.

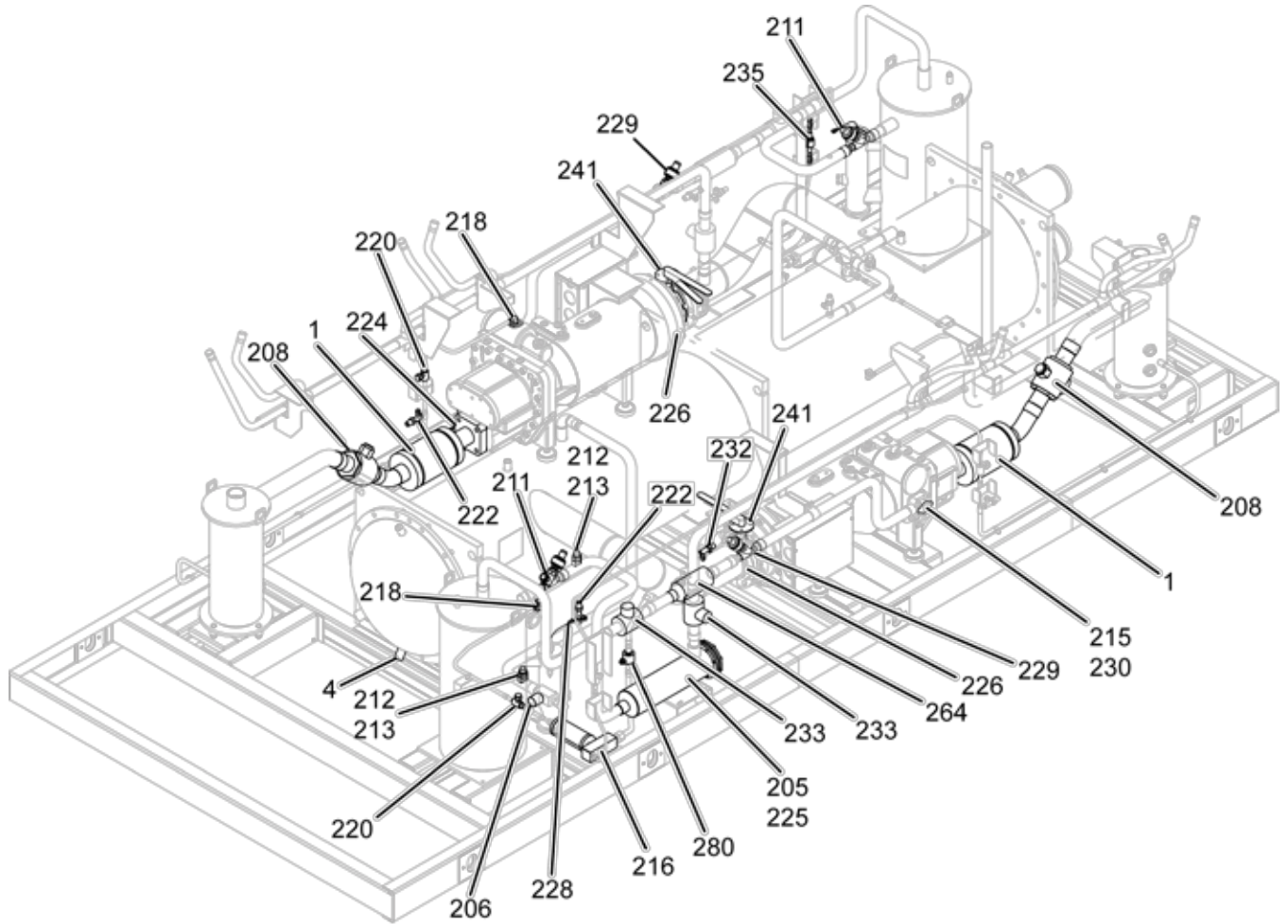


FIGURE 17 - PIPING ASSEMBLY 0153 / 0543

LD17331

TABLE 12 - PIPING ASSEMBLY 0165 / 0565

ITEM	PIN 35 =	DESCRIPTION	PART NUMBER	SAP NUMBER	QUANTITY	FIGURE
1	ALL	Muffler Discharge	375-89871-000	549123	2	18
4	ALL	Evap. Waterbox Drain Kit	392-07157-000	900408	1	18
205	ALL	Dehydrator Less Cores	026-16960-000	740681	2	18
206	ALL	Valve	022-09779-000	731283	2	18
211	ALL	Valve Expansion Electronic	025-41565-000	346234	2	18
212	ALL	Indicator Moist Liquid Body	026-32399-000	740784	4	18
213	ALL	Indicator Moist Liquid Cap	026-32800-000	740799	4	18
215	ALL	Valve Angle Compr Mueller	022-11358-000	731384	2	18
216	ALL	Eductor Assembly	375-79597-000	549137	2	18
		Block, Oil Eductor	026-47323-000	994839	2	18
		Filter Drier 3/8 Orfs	026-37563-000	740969	2	18
		O-Ring Neo1 00.364Id .070Thk M	028-12961-012	618648	8	18
		O-Ring Neo1 00.924Id .116Thk M	028-12961-006	588821	2	18
		O-Ring Neo1 00.739Id .070Thk M	028-12961-015	618651	2	18
217	ALL	Valve Expansion Electronic	025-44027-000	740403	2	18
220	ALL	Valve Ball 1/2 Od (C X C)	022-09172-000	731238	2	18
222	ALL	Valve, Charging Brass	022-09754-000	391983	6	18
224	ALL	Gasket Flange 3.00 Id 5.75 Bc	028-15296-001	742120	2	18
225	ALL	Ctg Dehy 100 Percent Molecular	026-37540-000	740964	6	18
226	ALL	Gasket Round Flange Ansi 300 #	028-15965-001	742176	2	18
227	F	Valve Ball 3/4 Ods	022-09580-000	48288	2	18
228	ALL	Switch Liquid Level	025-43324-101	636214	2	18
232	ALL	Valve, Transducer 1/4 Mpt X	022-09503-000	731261	2	18
233	ALL	Valve, Ball 1-5/8 Ods Conn's	022-08883-000	731236	2	18
235	ALL	Valve, Ball 3/8" Ods Conn	022-11906-000	695896	2	18
243	ALL	Valve Shut Off Ball Valve	022-11326-000	731365	2	18
244	ALL	Check Valve 1-5/8" CMV-26S	022-12037-000	577074	2	18
270	ALL	Plug Pipe 1/4 Npte Square	023-01195-000	711235	2	18

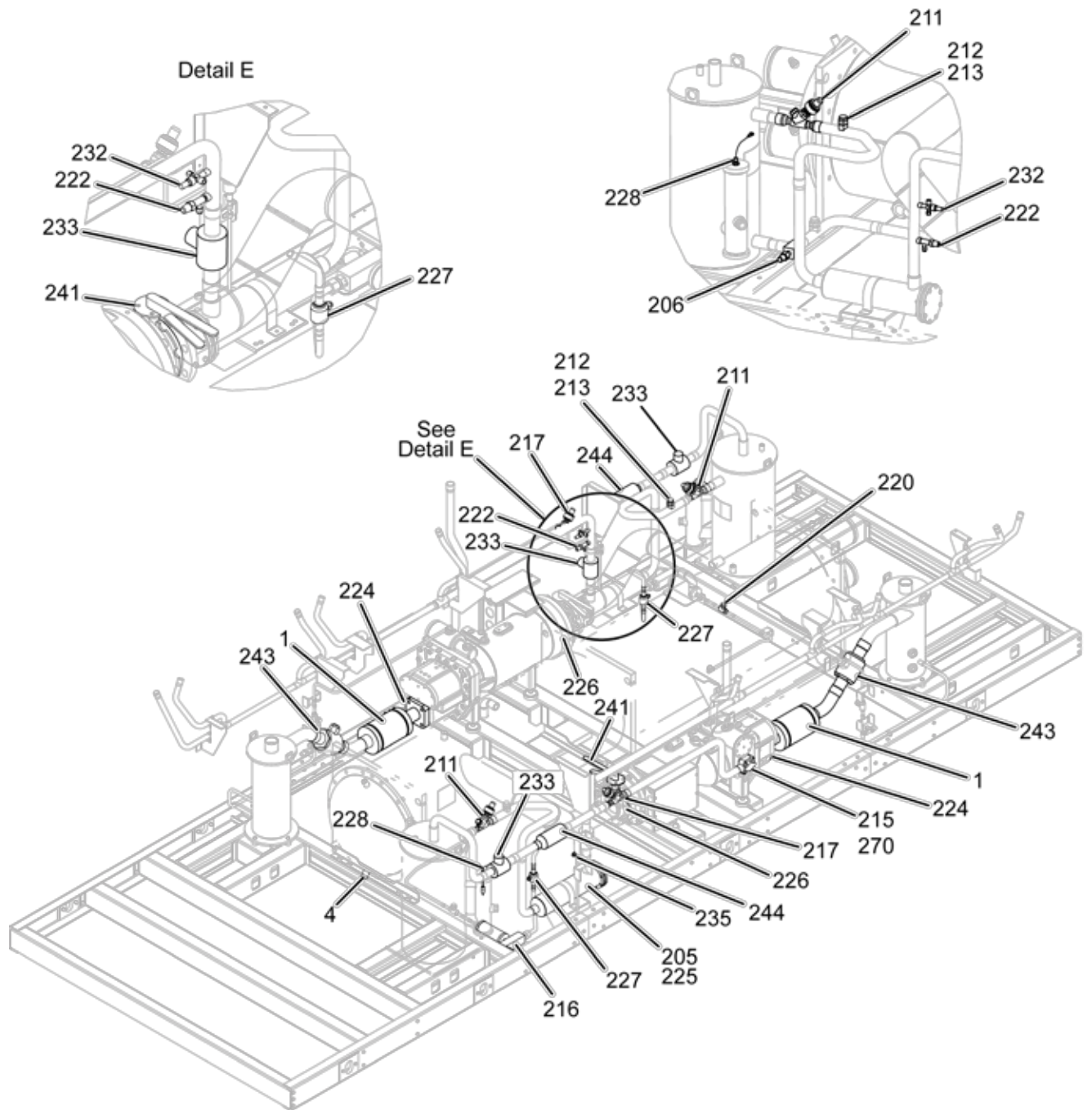
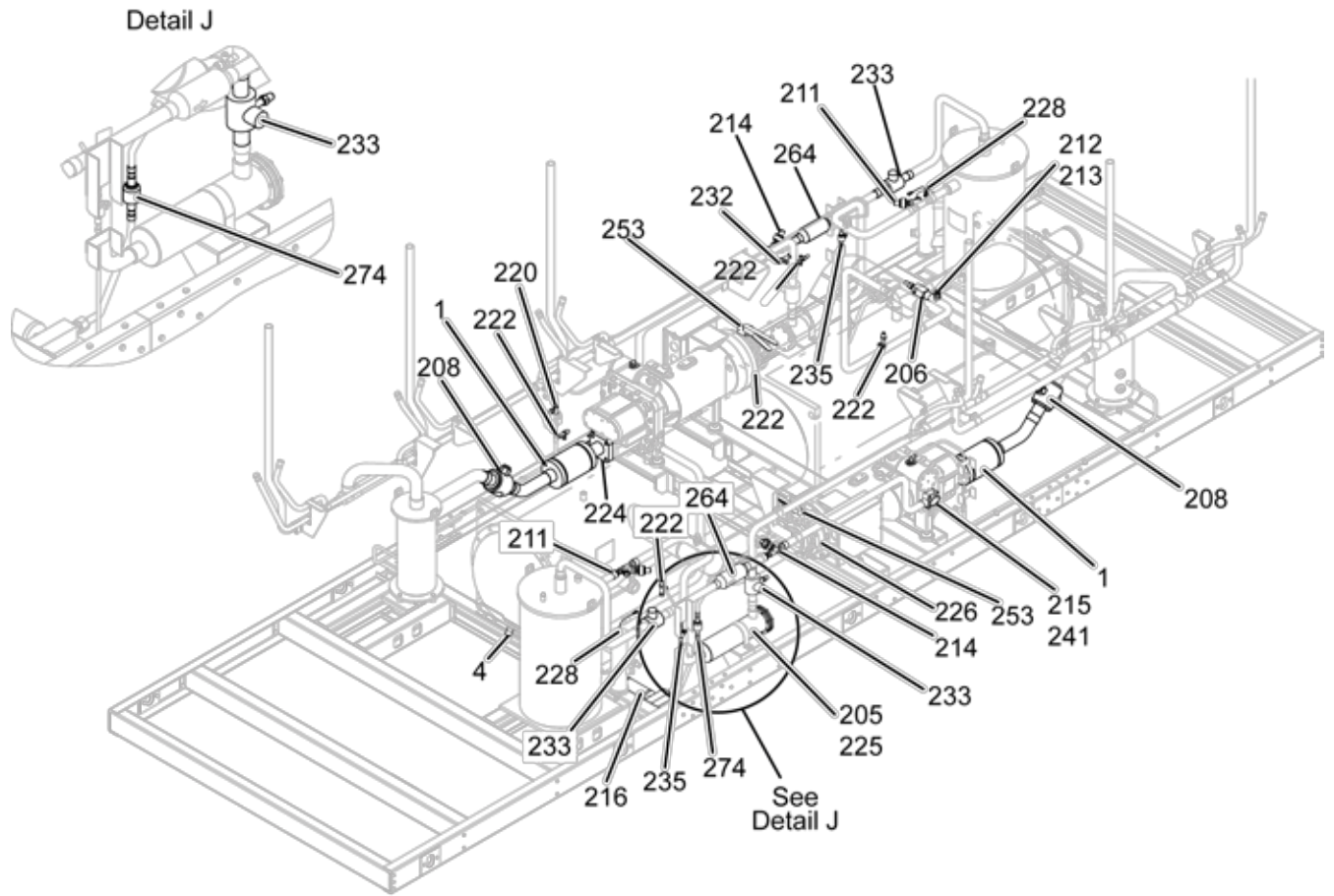


FIGURE 18 - PIPING ASSEMBLY 0165 / 0565

LD17332

TABLE 13 - PIPING ASSEMBLY 0178 / 0588

ITEM	PIN 35 =	DESCRIPTION	PART NUMBER	SAP NUMBER	QUANTITY	FIGURE
1	ALL	Muffler Discharge	375-89871-000	549123	2	19
4	ALL	Evap. Waterbox Drain Kit	392-07157-000	900408	1	19
205	ALL	Dehydrator Less Cores	026-16960-000	740681	2	19
206	ALL	Valve	022-09779-000	731283	2	19
208	ALL	Valve Shut Off Ball Valve	022-11326-000	731365	2	19
211	ALL	Valve Expansion Electronic	025-41565-000	346234	2	19
212	ALL	Indicator Moist Liquid Body	026-32399-000	740784	4	19
213	ALL	Indicator Moist Liquid Cap	026-32800-000	740799	4	19
214	ALL	Valve Expansion Electronic	025-44027-000	740403	2	19
215	ALL	Valve Angle Compr Mueller	022-11358-000	731384	2	19
216	ALL	Eductor Assembly	375-79597-000	549137	2	19
		Block, Oil Eductor	026-47323-000	994839	2	19
		Filter Drier 3/8 Orfs	026-37563-000	740969	2	19
		O-Ring Neo1 00.364ld .070 Thk M	028-12961-012	618648	8	19
		O-Ring Neo1 00.924ld .116Thk M	028-12961-006	588821	2	19
		O-Ring Neo1 00.739ld .070Thk M	028-12961-015	618651	2	19
220	ALL	Valve Ball 1/2 Od (C X C)	022-09172-000	731238	2	19
222	ALL	Valve, Charging Brass	022-09754-000	391983	6	19
224	ALL	Gasket Flange 3.00 Id 5.75 Bc	028-15296-001	742120	2	19
225	ALL	Ctg Dehy 100 Percent Molecular	026-37540-000	740964	6	19
226	ALL	Gasket Round Flange Ansi 300 #	028-15965-001	742176	2	19
228	ALL	Switch Liquid Level	025-43324-101	636214	2	19
232	ALL	Valve, Transducer 1/4 Mpt X	022-09503-000	731261	2	19
233	ALL	Valve, Ball 1-5/8 Ods Conn's	022-08883-000	731236	2	19
235	ALL	Valve, Ball 3/8" Ods Conn	022-11906-000	695896	2	19
241	ALL	Plug Pipe 1/4 Npte Square	023-01195-000	711235	2	19
264	ALL	Check Valve 1-5/8" CMV-26S	022-12037-000	577074	2	19
274	F	Valve Ball 3/4 Ods	022-09580-000	48288	2	19

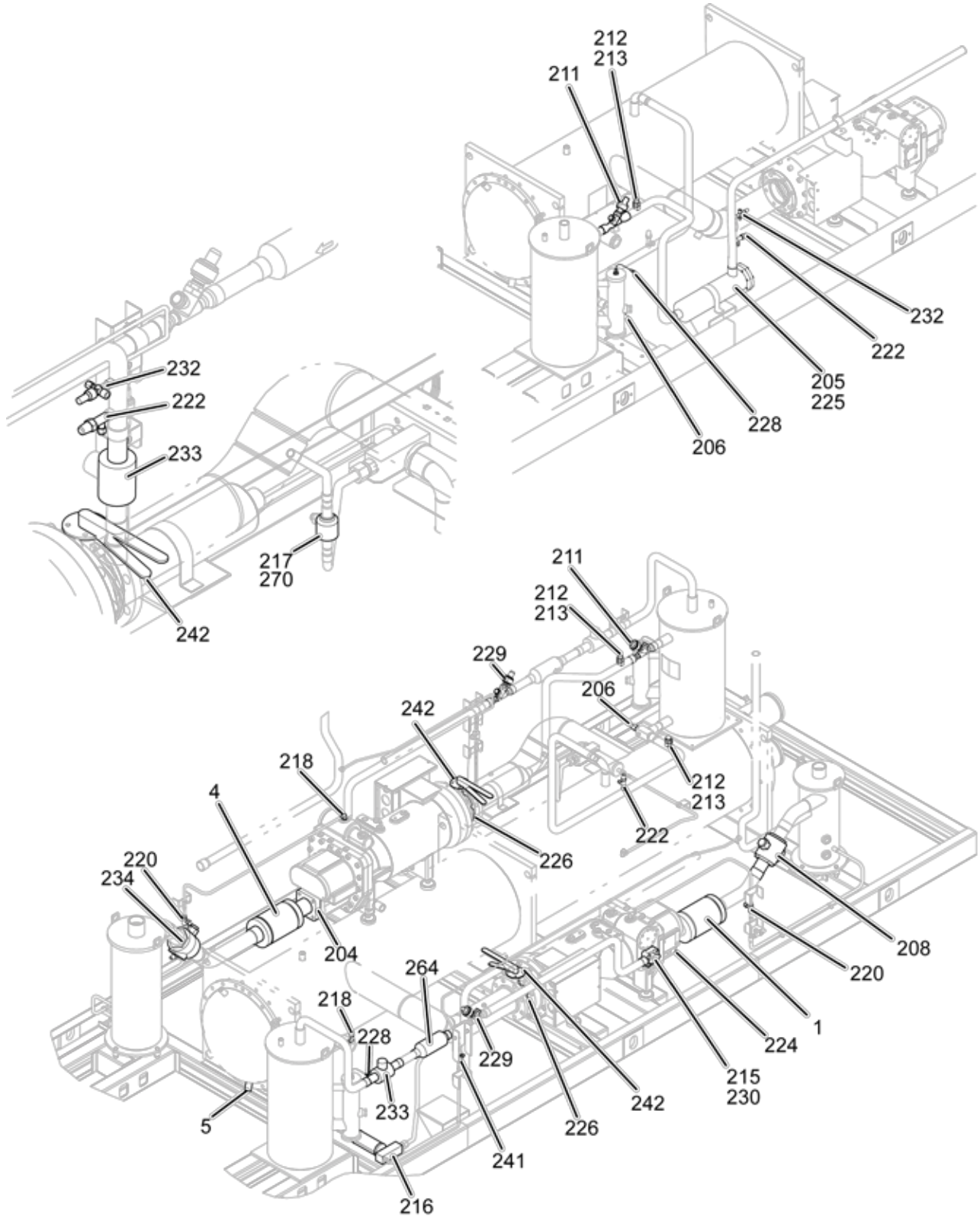


LD17333

FIGURE 19 - PIPING ASSEMBLY 0178 / 0588

TABLE 14 - PIPING ASSEMBLY 0183 / 0643

ITEM	PIN 35 =	DESCRIPTION	PART NUMBER	SAP NUMBER	QUANTITY	FIGURE
1	ALL	Muffler Discharge	375-89871-000	549123	2	20
4	ALL	Muffler	375-58655-000	577037	1	20
5	ALL	Evap. Waterbox Drain Kit	392-07157-000	900408	1	20
204	ALL	Gasket Flange 3.625 Id 5.75Bc	028-15296-000	636248	1	20
205	ALL	Dehydrator Less Cores	026-16960-000	740681	2	20
206	ALL	Valve	022-09779-000	731283	2	20
208	ALL	Valve Shut Off Ball Valve	022-11326-000	731365	1	20
211	ALL	Valve Expansion Electronic	025-41565-000	346234	2	20
212	ALL	Indicator Moist Liquid Body	026-32399-000	740784	4	20
213	ALL	Indicator Moist Liquid Cap	026-32800-000	740799	4	20
215	ALL	Valve Angle Compr Mueller	022-11358-000	731384	2	20
216	ALL	Eductor Assembly	375-79597-000	549137	2	20
		Block, Oil Eductor	026-47323-000	994839	2	20
		Filter Drier 3/8 Orfs	026-37563-000	740969	2	20
		O-Ring Neo1 00.364Id .070Thk M	028-12961-012	618648	8	20
		O-Ring Neo1 00.924Id .116Thk M	028-12961-006	588821	2	20
		O-Ring Neo1 00.739Id .070Thk M	028-12961-015	618651	2	20
217	F	Valve Ball 3/4 Ods	022-09580-000	48288	2	20
218	ALL	Fitting, 37 Deg. Flared Tube	023-18945-000	556321	4	20
220	ALL	Valve Ball 1/2 Od (C X C)	022-09172-000	731238	2	20
222	ALL	Valve, Charging Brass	022-09754-000	391983	6	20
224	ALL	Gasket Flange 3.00 Id 5.75 Bc	028-15296-001	742120	1	20
225	ALL	Ctg Dehy 100 Percent Molecular	026-37540-000	740964	6	20
226	ALL	Gasket Round Flange Ansi 300 #	028-15965-001	742176	2	20
228	ALL	Switch Liquid Level	025-43324-101	636214	2	20
229	ALL	Valve Expansion Electronic	025-44027-000	740403	2	20
230	ALL	Plug Pipe 1/4 Npte Square	023-01195-000	711235	2	20
232	ALL	Valve, Transducer 1/4 Mpt X	022-09503-000	731261	2	20
233	ALL	Valve, Ball 1-5/8 Ods Conn's	022-08883-000	731236	2	20
234	ALL	Valve Shut Off Ball Valve	022-11325-000	444576	1	20
241	ALL	Valve, Ball 3/8" Ods Conn	022-11906-000	695896	2	20
264	ALL	Check Valve 1-5/8" CMV-26S	022-12037-000	577074	2	20

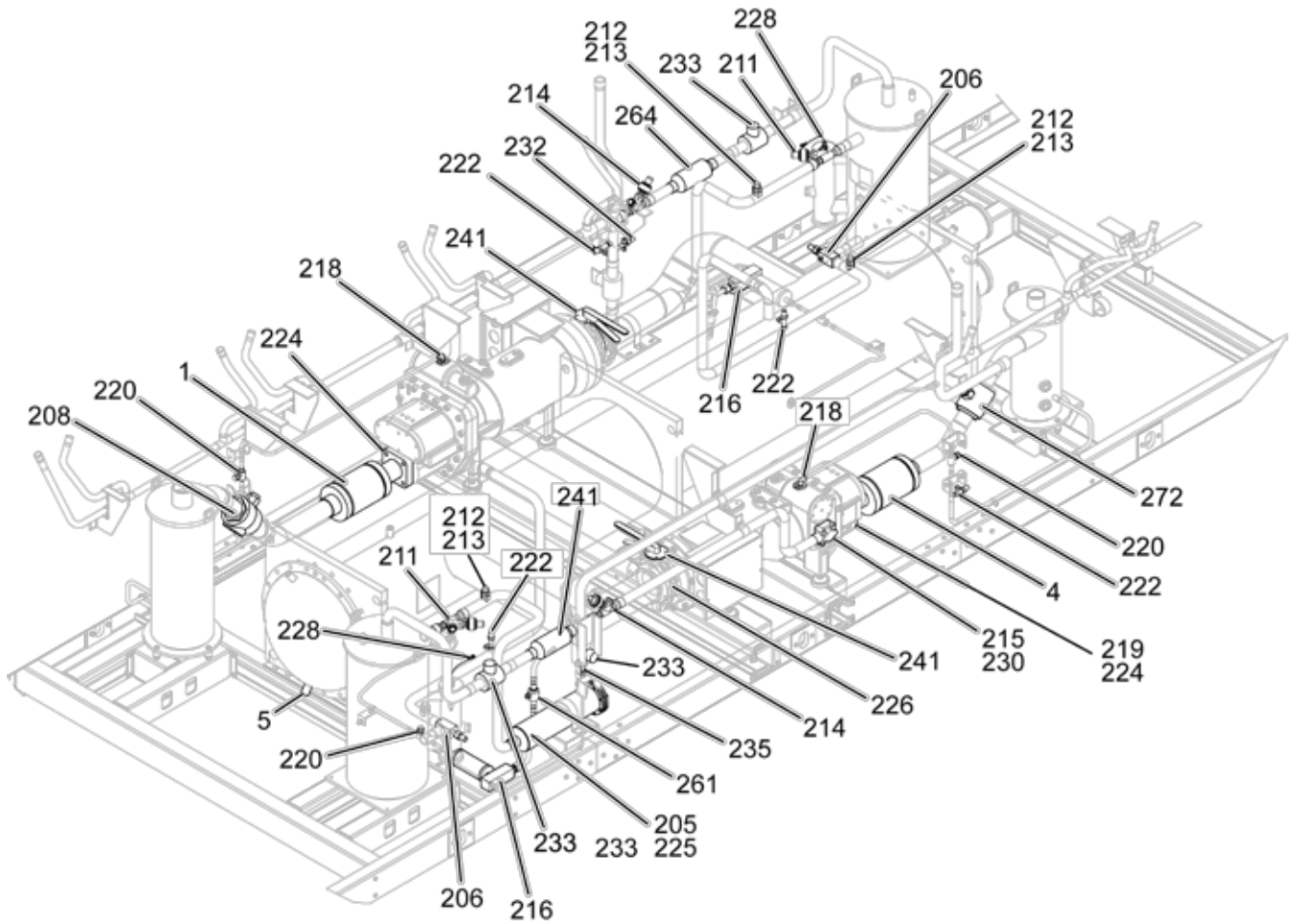


LD17334

FIGURE 20 - PIPING ASSEMBLY 0183 / 0643

TABLE 15 - PIPING ASSEMBLY 0195 / 0665

ITEM	PIN 35 =	DESCRIPTION	PART NUMBER	SAP NUMBER	QUANTITY	FIGURE
1	ALL	Muffler Discharge	375-58655-000	577037	1	21
4	ALL	Muffler Discharge	375-89871-000	549123	1	21
5	ALL	Evap. Waterbox Drain Kit	392-07157-000	900408	1	21
205	ALL	Dehydrator Less Cores	026-16960-000	740681	2	21
206	ALL	Valve	022-09779-000	731283	2	21
208	ALL	Valve Shut Off Ball Valve	022-11325-000	444576	1	21
211	ALL	Valve Expansion Electronic	025-41565-000	346234	2	21
212	ALL	Indicator Moist Liquid Body	026-32399-000	740784	4	21
213	ALL	Indicator Moist Liquid Cap	026-32800-000	740799	4	21
214	ALL	Valve Expansion Electronic	025-44027-000	740403	2	21
215	ALL	Valve Angle Compr Mueller	022-11358-000	731384	2	21
216	ALL	Eductor Assembly	375-79597-000	549137	2	21
		Block, Oil Eductor	026-47323-000	994839	2	21
		Filter Drier 3/8 Orfs	026-37563-000	740969	2	21
		O-Ring Neo1 00.364Id .070Thk M	028-12961-012	618648	8	21
		O-Ring Neo1 00.924Id .116Thk M	028-12961-006	588821	2	21
		O-Ring Neo1 00.739Id .070Thk M	028-12961-015	618651	2	21
218	ALL	Fitting, 37 Deg. Flared Tube	023-18945-000	556321	4	21
220	ALL	Valve Ball 1/2 Od (C X C)	022-09172-000	731238	2	21
222	ALL	Valve, Charging Brass	022-09754-000	391983	6	21
224	ALL	Gasket Flange 3.625 Id 5.75Bc	028-15296-000	636248	2	21
225	ALL	Ctg Dehy 100 Percent Molecular	026-37540-000	740964	6	21
226	ALL	Gasket Round Flange Ansi 300 #	028-15965-001	742176	2	21
228	ALL	Switch Liquid Level	025-43324-101	636214	2	21
230	ALL	Plug Pipe 1/4 Npte Square	023-01195-000	711235	2	21
232	ALL	Valve, Transducer 1/4 Mpt X	022-09503-000	731261	2	21
233	ALL	Valve, Ball 1-5/8 Ods Conn's	022-08883-000	731236	2	21
235	ALL	Valve, Ball 3/8" Ods Conn	022-11906-000	695896	2	21
261	ALL	Valve, Ball 3/4" Ods	022-09580-000	48288	2	21
264	ALL	Check Valve 1-5/8" CMV-26S	022-12037-000	577074	2	21
272	ALL	Valve Shut Off Ball Valve	022-11326-000	731365	1	21

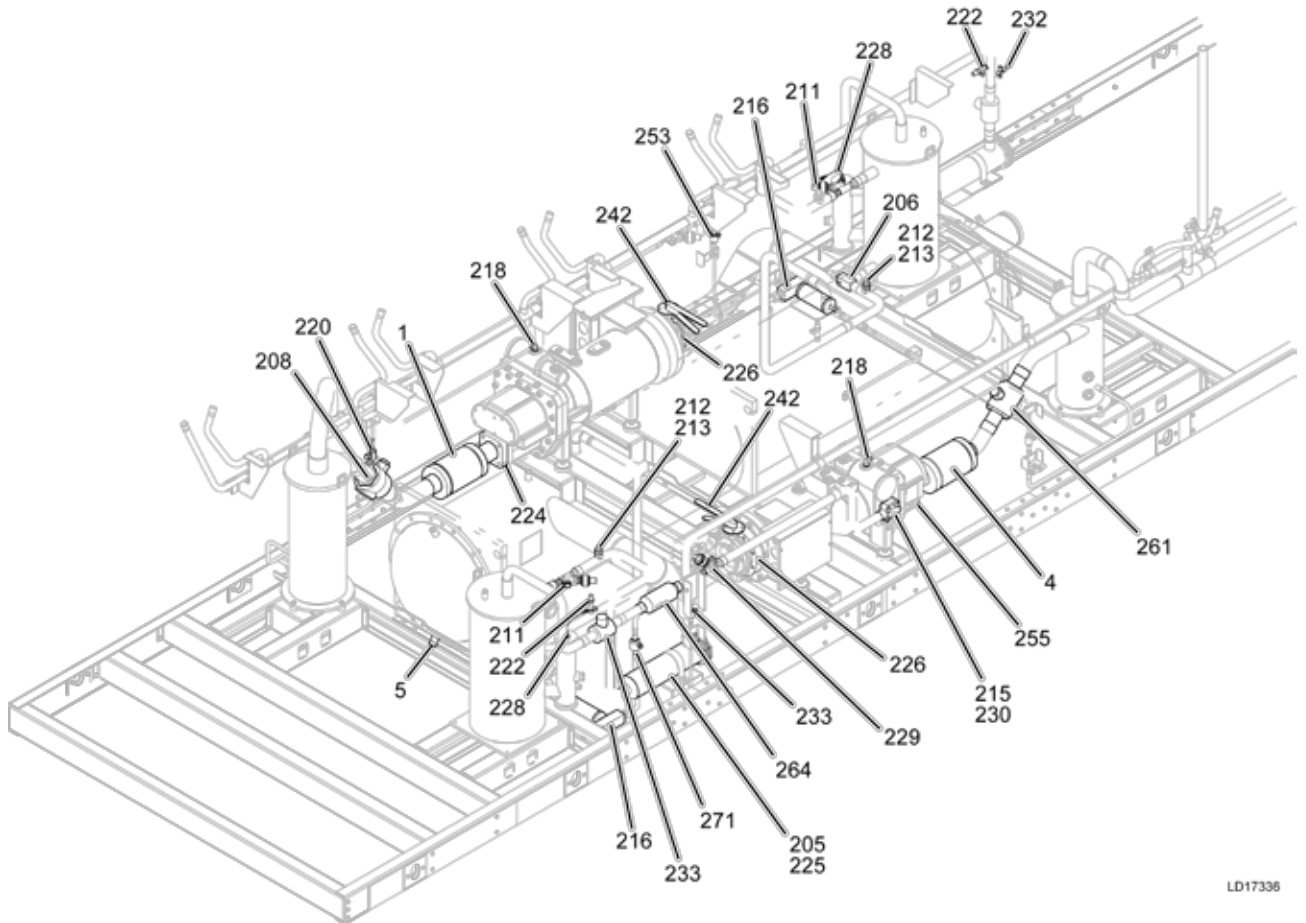


LD17335

FIGURE 21 - PIPING ASSEMBLY 0195 / 0665

TABLE 16 - PIPING ASSEMBLY 0198 / 0688

ITEM	PIN 35 =	DESCRIPTION	PART NUMBER	SAP NUMBER	QUANTITY	FIGURE
1	ALL	Muffler Discharge	375-58655-000	577037	1	22
4	ALL	Muffler Discharge	375-89871-000	549123	1	22
5	ALL	Evap. Waterbox Drain Kit	392-07157-000	900408	1	22
205	ALL	Dehydrator Less Cores	026-16960-000	740681	2	22
206	ALL	Valve	022-09779-000	731283	2	22
208	ALL	Valve Shut Off Ball Valve	022-11325-000	444576	1	22
211	ALL	Valve Expansion Electronic	025-41565-000	346234	2	22
212	ALL	Indicator Moist Liquid Body	026-32399-000	740784	4	22
213	ALL	Indicator Moist Liquid Cap	026-32800-000	740799	4	22
215	ALL	Valve Angle Compr Mueller	022-11358-000	731384	2	22
216	ALL	Eductor Assembly	375-79597-000	549137	2	22
		Block, Oil Eductor	026-47323-000	994839	2	22
		Filter Drier 3/8 Orfs	026-37563-000	740969	2	22
		O-Ring Neo1 00.364Id .070Thk M	028-12961-012	618648	8	22
		O-Ring Neo1 00.924Id .116Thk M	028-12961-006	588821	2	22
		O-Ring Neo1 00.739Id .070Thk M	028-12961-015	618651	2	22
218	ALL	Fitting, 37 Deg. Flared Tube	023-18945-000	556321	4	22
220	ALL	Valve Ball 1/2 Od (C X C)	022-09172-000	731238	2	22
222	ALL	Valve, Charging Brass	022-09754-000	391983	6	22
224	ALL	Gasket Flange 3.625 Id 5.75Bc	028-15296-000	636248	1	22
225	ALL	Ctg Dehy 100 Percent Molecular	026-37540-000	740964	6	22
226	ALL	Gasket Round Flange Ansi 300 #	028-15965-001	742176	2	22
228	ALL	Switch Liquid Level	025-43324-101	636214	2	22
229	ALL	Valve Expansion Electronic	025-44027-000	740403	2	22
230	ALL	Plug Pipe 1/4 Npte Square	023-01195-000	711235	2	22
232	ALL	Valve, Transducer 1/4 Mpt X	022-09503-000	731261	2	22
233	ALL	Valve, Ball 1-5/8 Ods Conn's	022-08883-000	731236	2	22
253	ALL	Valve, Ball 3/8" Od	022-11906-000	695896	2	22
255	ALL	Gasket, Flange 3.00 Id 5.75 BC	028-15296-001	742120	1	22
261	ALL	Valve, Shutoff Ball	022-11326-000	731365	1	22
264	ALL	Check, Valve 1-5/8" CMV-26S	022-12037-000	577074	2	22
271	ALL	Valve, Ball 3/4 Ods	022-09580-000	48288	2	22



LD17336

FIGURE 22 - PIPING ASSEMBLY 0198 / 0688

TABLE 17 - PIPING ASSEMBLY 0200 / 0700

ITEM	PIN 35 =	DESCRIPTION	PART NUMBER	SAP NUMBER	QUANTITY	FIGURE
1	ALL	Muffler	375-58655-000	577037	2	23
4	ALL	Evap. Waterbox Drain Kit	392-07157-000	900408	1	23
205	ALL	Dehydrator Less Cores	026-16960-000	740681	2	23
206	ALL	Valve	022-09779-000	731283	2	23
208	ALL	Valve Shut Off Ball Valve	022-11325-000	444576	2	23
211	ALL	Valve Expansion Electronic	025-41565-000	346234	2	23
212	ALL	Indicator Moist Liquid Body	026-32399-000	740784	4	23
213	ALL	Indicator Moist Liquid Cap	026-32800-000	740799	4	23
215	ALL	Valve Angle Compr Mueller	022-11358-000	731384	2	23
216	ALL	Eductor Assembly	375-79597-000	549137	2	23
		Block, Oil Eductor	026-47323-000	994839	2	23
		Filter Drier 3/8 Orfs	026-37563-000	740969	2	23
		O-Ring Neo1 00.364ld .070Thk M	028-12961-012	618648	8	23
		O-Ring Neo1 00.924ld .116Thk M	028-12961-006	588821	2	23
		O-Ring Neo1 00.739ld .070Thk M	028-12961-015	618651	2	23
217	F	Valve, Ball 3/4 Ods	022-09580-000	48288	2	23
218	ALL	Fitting, 37 Deg. Flared Tube	023-18945-000	556321	4	23
220	ALL	Valve Ball 1/2 Od (C X C)	022-09172-000	731238	2	23
222	ALL	Valve, Charging Brass	022-09754-000	391983	6	23
224	ALL	Gasket Flange 3.625 Id 5.75Bc	028-15296-000	636248	2	23
225	ALL	Ctg Dehy 100 Percent Molecular	026-37540-000	740964	6	23
226	ALL	Gasket Round Flange Ansi 300 #	028-15965-001	742176	2	23
228	ALL	Switch Liquid Level	025-43324-101	636214	2	23
229	ALL	Valve Expansion Electronic	025-44027-000	740403	2	23
230	ALL	Plug Pipe 1/4 Npte Square	023-01195-000	711235	2	23
232	ALL	Valve, Transducer 1/4 Mpt X	022-09503-000	731261	2	23
233	ALL	Valve, Ball 1-5/8 Ods Conn's	022-08883-000	731236	2	23
235	ALL	Valve, Ball 3/8" Ods Conn	022-11906-000	695896	2	23
264	ALL	Check Valve 1-5/8" CMV-26S	022-12037-000	577074	2	23
273	F	Valve Ball 3/4 Ods	022-09580-000	48288	2	23

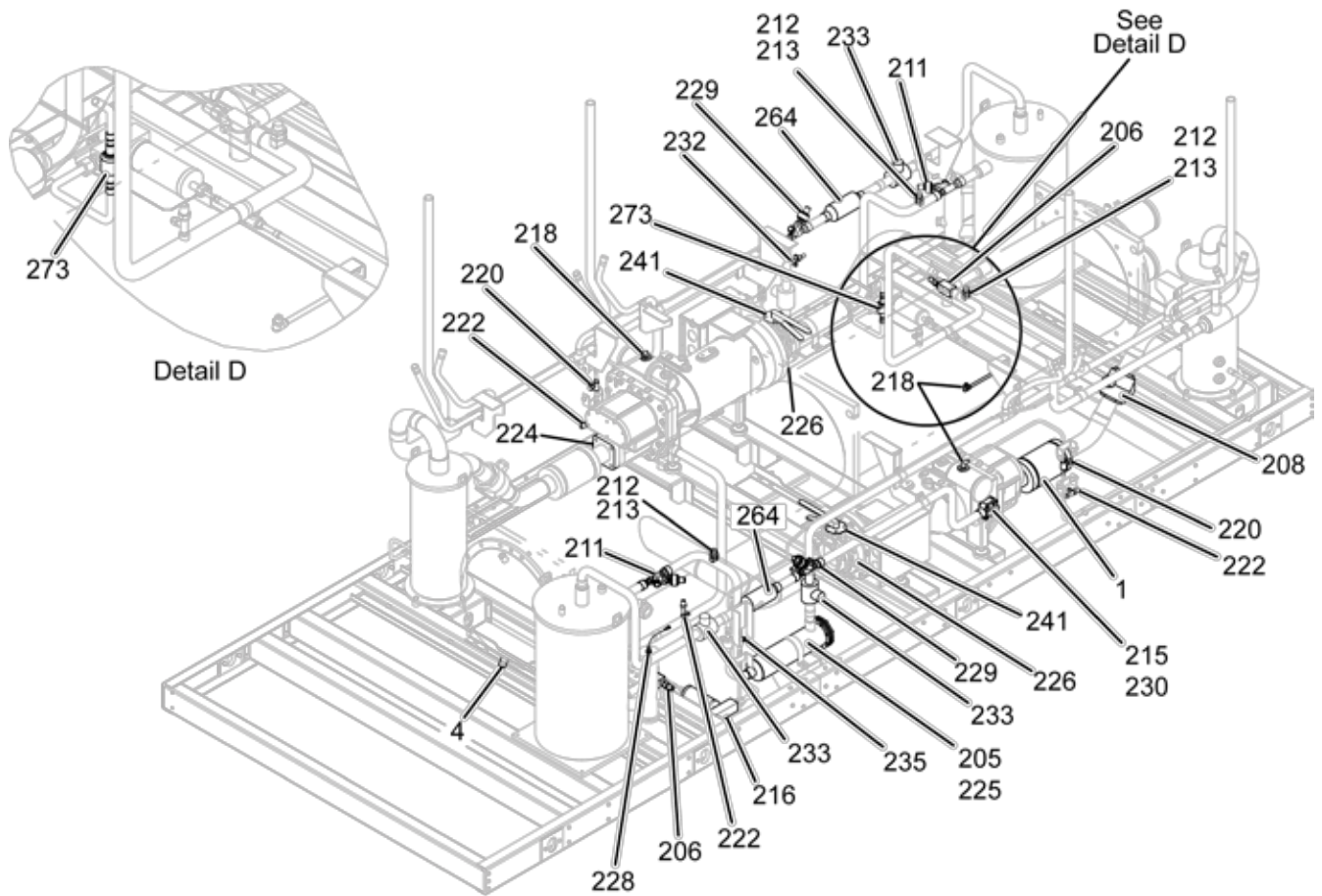


FIGURE 23 - PIPING ASSEMBLY 0200 / 0700

LD17337

TABLE 18 - PIPING ASSEMBLY 0213 / 0743

ITEM	PIN 35 =	DESCRIPTION	PART NUMBER	SAP NUMBER	QUANTITY	FIGURE
1	ALL	Muffler Discharge	375-58655-000	577037	2	24
4	ALL	Evap. Waterbox Drain Kit	392-07157-000	900408	1	*
205	ALL	Dehydrator Less Cores	026-16960-000	740681	2	24
206	ALL	Valve	022-09779-000	731283	2	24
208	ALL	Valve Shut Off Ball Valve	022-11325-000	444576	2	24
210	F	Valve Ball 3/4 Ods	022-09580-000	48288	2	24
211	ALL	Valve Expansion Electronic	025-41565-000	346234	2	24
212	ALL	Indicator Moist Liquid Body	026-32399-000	740784	4	24
213	ALL	Indicator Moist Liquid Cap	026-32800-000	740799	4	24
214	ALL	Valve Expansion Electronic	025-44027-000	740403	2	24
215	ALL	Valve Angle Compr Mueller	022-11358-000	731384	2	24
216	ALL	Eductor Assembly	375-79597-000	549137	2	24
		Block, Oil Eductor	026-47323-000	994839	2	24
		Filter Drier 3/8 Orfs	026-37563-000	740969	2	24
		O-Ring Neo1 00.364Id .070Thk M	028-12961-012	618648	8	24
		O-Ring Neo1 00.924Id .116Thk M	028-12961-006	588821	2	24
		O-Ring Neo1 00.739Id .070Thk M	028-12961-015	618651	2	24
218	ALL	Fitting, 37 Deg. Flared Tube	023-18945-000	556321	4	24
220	ALL	Valve Ball 1/2 Od (C X C)	022-09172-000	731238	2	24
222	ALL	Valve, Charging Brass	022-09754-000	391983	6	24
224	ALL	Gasket Flange 3.625 Id 5.75Bc	028-15296-000	636248	2	24
225	ALL	Ctg Dehy 100 Percent Molecular	026-37540-000	740964	6	24
226	ALL	Gasket Round Flange Ansi 300 #	028-15965-001	742176	2	24
228	ALL	Switch Liquid Level	025-43324-101	636214	2	24
230	ALL	Plug Pipe 1/4 Npte Square	023-01195-000	711235	2	24
232	ALL	Valve, Transducer 1/4 Mpt X	022-09503-000	731261	2	24
233	ALL	Valve, Ball 1-5/8 Ods Conn's	022-08883-000	731236	2	24
235	ALL	Valve, Ball 3/8" Ods Conn	022-11906-000	695896	2	24
241	ALL	Valve, Butterfly Sz 5	022-10641-005	147048	2	24
264	ALL	Valve, Check 1-5/8" CMV-26s	022-12037-000	577074	2	24

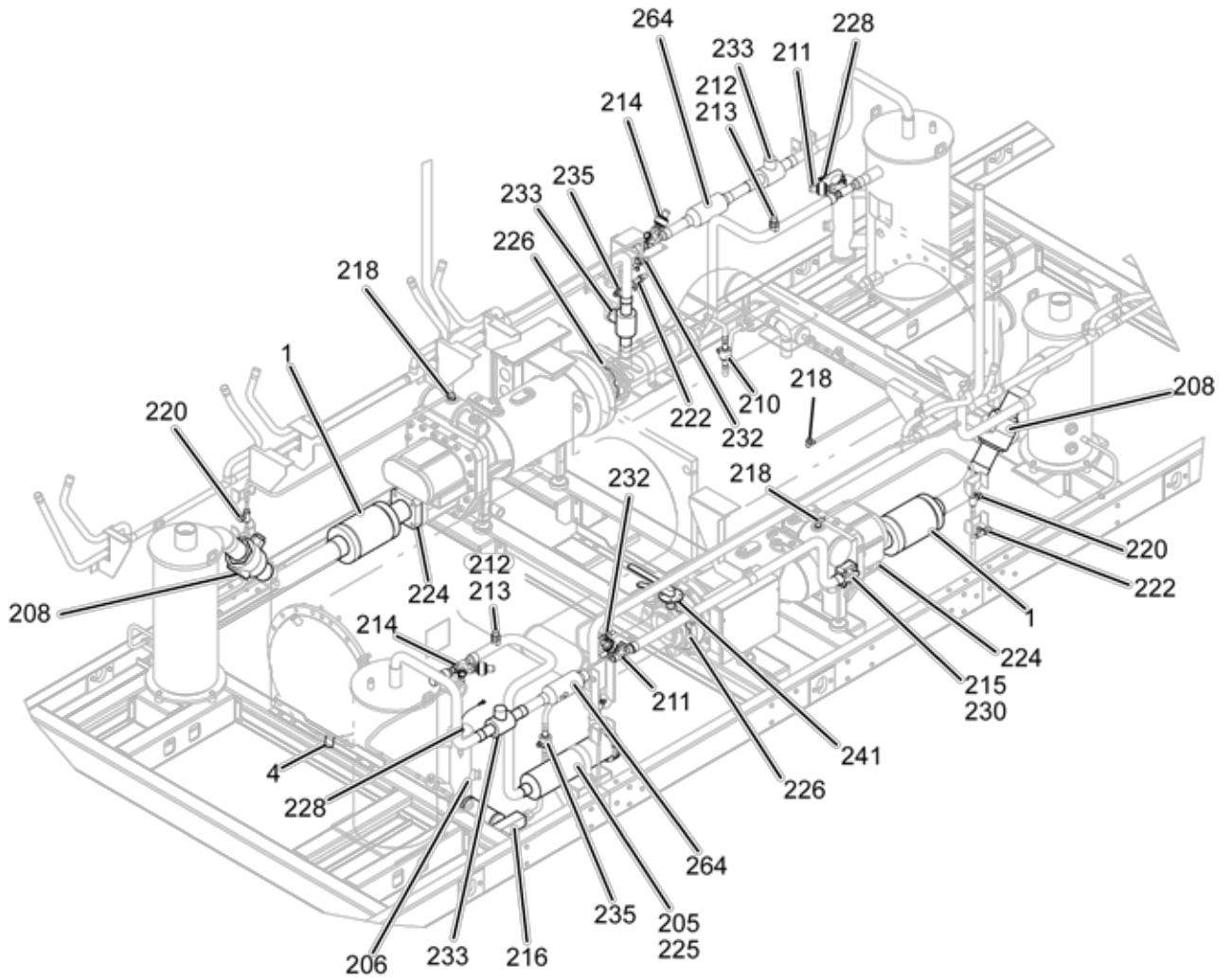


FIGURE 24 - PIPING ASSEMBLY 0213 / 0743

LD1733B

TABLE 19 - PIPING ASSEMBLY 0215 / 0765

ITEM	PIN 35 =	DESCRIPTION	PART NUMBER	SAP NUMBER	QUANTITY	FIGURE
1	ALL	Muffler	375-58655-000	577037	2	25
4	ALL	Evap. Waterbox Drain Kit	392-07157-000	900408	1	*
205	ALL	Dehydrator Less Cores	026-16960-000	740681	2	25
206	ALL	Valve	022-09779-000	731283	2	25
208	ALL	Valve Shut Off Ball Valve	022-11325-000	444576	2	25
211	ALL	Valve Expansion Electronic	025-41565-000	346234	2	25
212	ALL	Indicator Moist Liquid Body	026-32399-000	740784	4	25
213	ALL	Indicator Moist Liquid Cap	026-32800-000	740799	4	25
214	ALL	Valve Expansion Electronic	025-44027-000	740403	2	25
215	ALL	Valve Angle Compr Mueller	022-11358-000	731384	2	25
216	ALL	Eductor Assembly	375-79597-000	549137	2	25
		Block, Oil Eductor	026-47323-000	994839	2	25
		Filter Drier 3/8 Orfs	026-37563-000	740969	2	25
		O-Ring Neo1 00.364Id .070Thk M	028-12961-012	618648	8	25
		O-Ring Neo1 00.924Id .116Thk M	028-12961-006	588821	2	25
		O-Ring Neo1 00.739Id .070Thk M	028-12961-015	618651	2	25
218	ALL	Fitting, 37 Deg. Flared Tube;	023-18945-000	556321	4	25
220	ALL	Valve Ball 1/2 Od (C X C)	022-09172-000	731238	2	25
222	ALL	Valve, Charging Brass	022-09754-000	391983	6	25
224	ALL	Gasket Flange 3.625 Id 5.75Bc	028-15296-000	636248	2	25
225	ALL	Ctg Dehy 100 Percent Molecular	026-37540-000	740964	6	25
226	ALL	Gasket Round Flange Ansi 300 #	028-15965-001	742176	2	25
228	ALL	Switch Liquid Level	025-43324-101	636214	2	25
229	F	Valve Ball 3/4 Ods	022-09580-000	48288	2	25
232	ALL	Valve, Transducer 1/4 Mpt X	022-09503-000	731261	2	25
233	ALL	Valve, Ball 1-5/8 Ods Conn's	022-08883-000	731236	2	25
235	ALL	Valve, Ball 3/8" Ods Conn	022-11906-000	695896	2	25
241	ALL	Valve, Butterfly Sz 5	022-10641-005	147048	2	25
264	ALL	Check Valve 1-5/8" CMV-26S	022-12037-000	577074	2	25

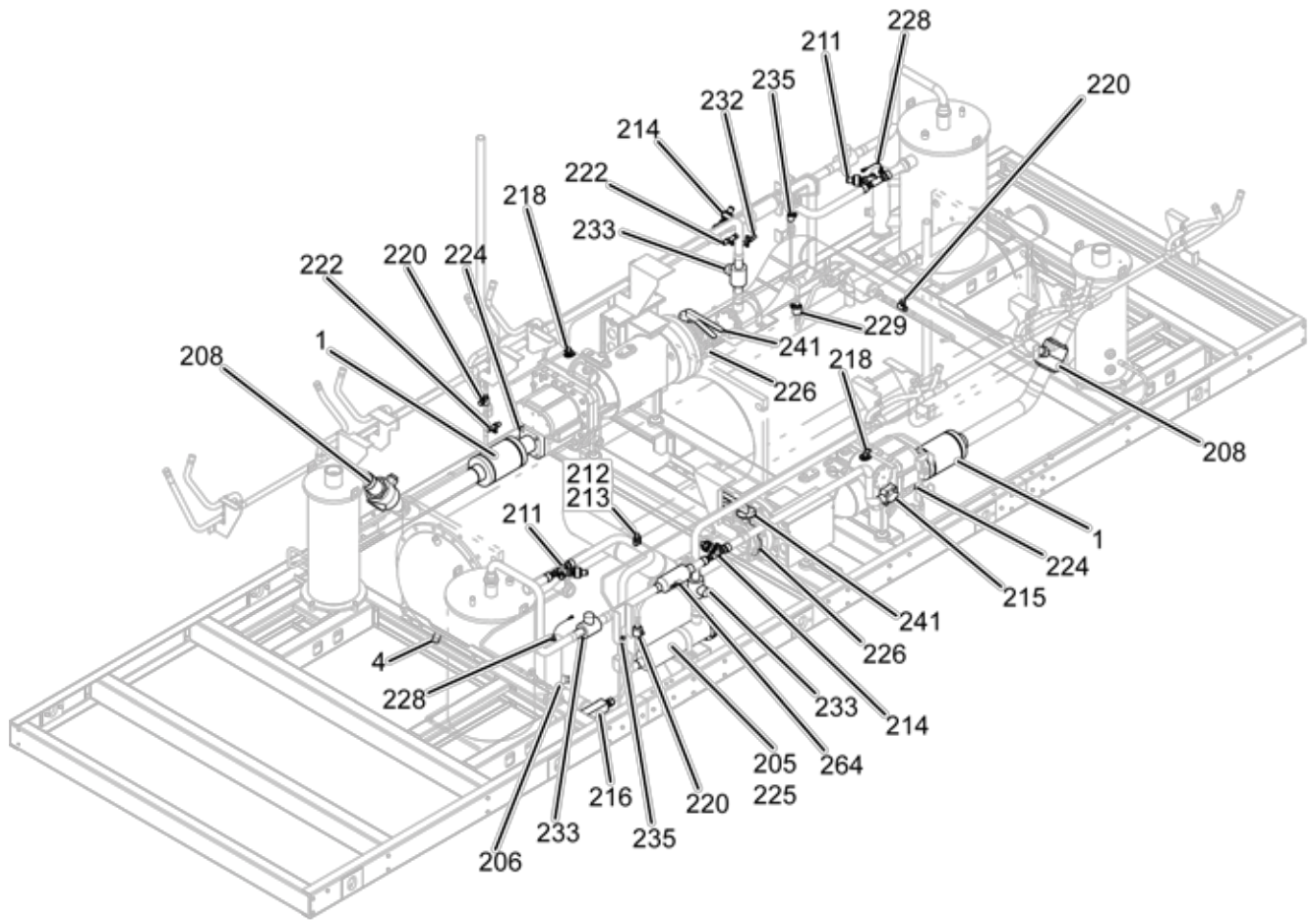
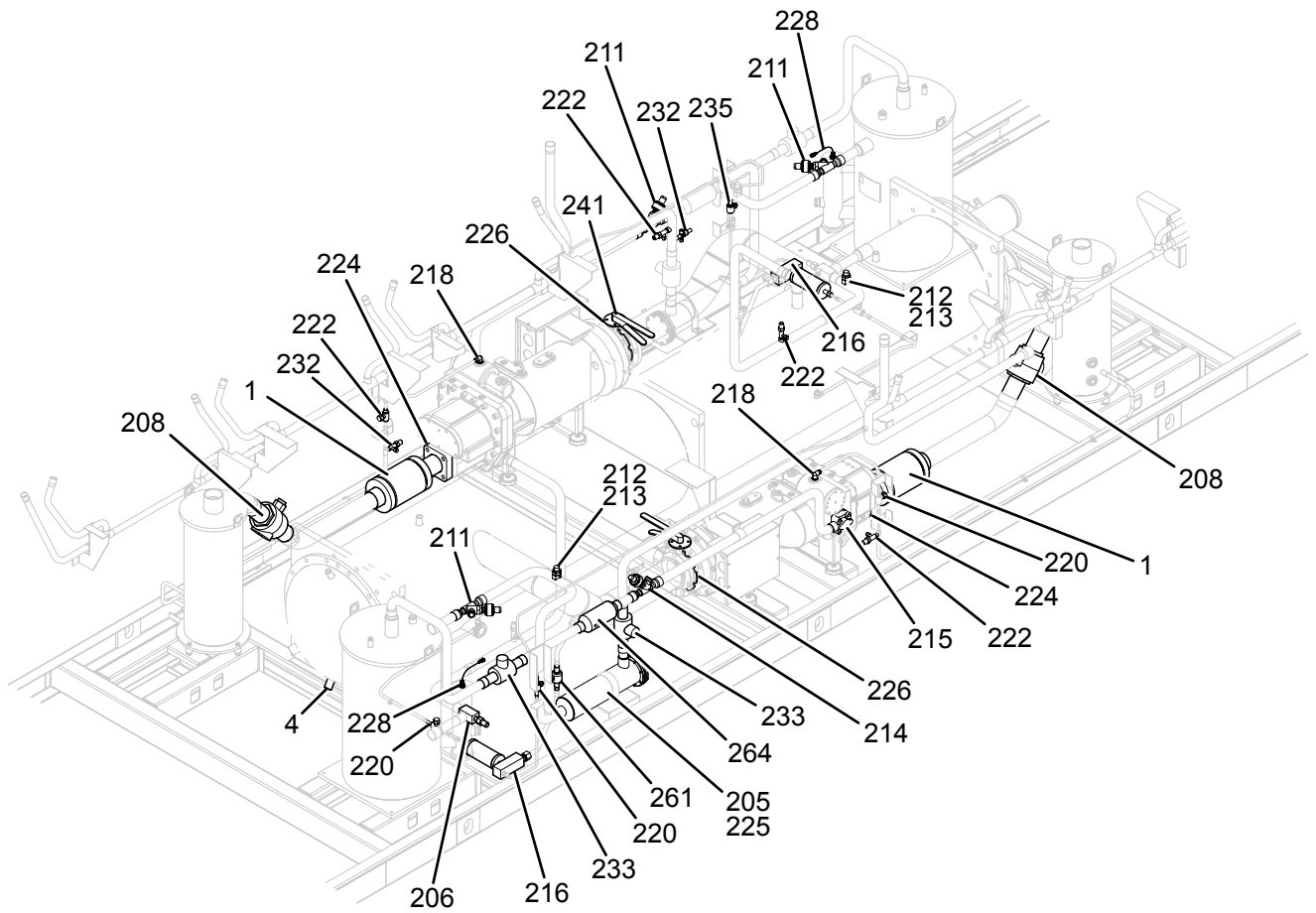


FIGURE 25 - PIPING ASSEMBLY 0215 / 0765

LD17339

TABLE 20 - PIPING ASSEMBLY 0218 / 0788

ITEM	PIN 35 =	DESCRIPTION	PART NUMBER	SAP NUMBER	QUANTITY	FIGURE
1	ALL	Muffler Discharge	375-58655-000	577037	2	26
4	ALL	Evap. Waterbox Drain Kit	392-07157-000	900408	1	*
205	ALL	Dehydrator Less Cores	026-16960-000	740681	2	26
206	ALL	Valve	022-09779-000	731283	2	26
208	ALL	Valve Shut Off Ball Valve	022-11325-000	444576	2	26
211	ALL	Valve Expansion Electronic	025-41565-000	346234	2	26
212	ALL	Indicator Moist Liquid Body	026-32399-000	740784	4	26
213	ALL	Indicator Moist Liquid Cap	026-32800-000	740799	4	26
214	ALL	Valve Expansion Electronic	025-44027-000	740403	2	26
215	ALL	Valve Angle Compr Mueller	022-11358-000	731384	2	26
216	ALL	Eductor Assembly	375-79597-000	549137	2	26
		Block, Oil Eductor	026-47323-000	994839	2	26
		Filter Drier 3/8 Orfs	026-37563-000	740969	2	26
		O-Ring Neo1 00.364Id .070Thk M	028-12961-012	618648	8	26
		O-Ring Neo1 00.924Id .116Thk M	028-12961-006	588821	2	26
		O-Ring Neo1 00.739Id .070Thk M	028-12961-015	618651	2	26
218	ALL	Fitting, 37 Deg. Flared Tube	023-18945-000	556321	4	26
220	ALL	Valve Ball 1/2 Od (C X C)	022-09172-000	731238	2	26
222	ALL	Valve, Charging Brass	022-09754-000	391983	6	26
224	ALL	Gasket Flange 3.625 Id 5.75Bc	028-15296-000	636248	2	26
225	ALL	Ctg Dehy 100 Percent Molecular	026-37540-000	740964	6	26
226	ALL	Gasket Round Flange Ansi 300 #	028-15965-001	742176	2	26
228	ALL	Switch Liquid Level	025-43324-101	636214	2	26
232	ALL	Valve, Transducer 1/4 Mpt X	022-09503-000	731261	2	26
233	ALL	Valve, Ball 1-5/8 Ods Conn's	022-08883-000	731236	2	26
235	ALL	Valve, Ball 3/8" Ods Conn	022-11906-000	695896	2	26
241	ALL	Valve, Butterfly Sz 5	022-10641-005	147048	2	26
261	ALL	Valve, Ball 3/4 Ods	022-09580-000	48288	2	26
264	ALL	Check Valve 1-5/8" CMV-26S	022-12037-000	577074	2	26

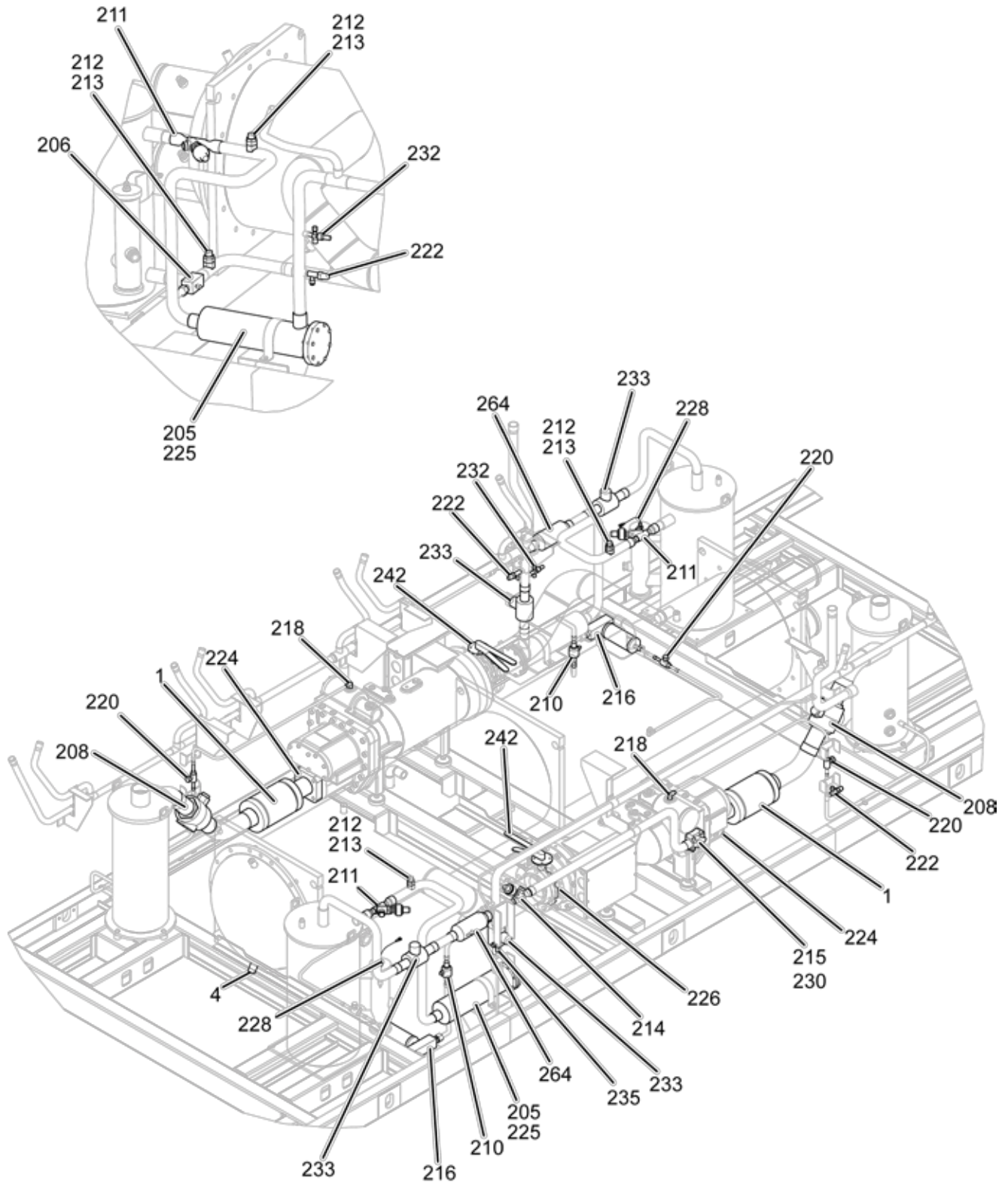


LD17340

FIGURE 26 - PIPING ASSEMBLY 0218 / 0788

TABLE 21 - PIPING ASSEMBLY 0233 / 0843

ITEM	PIN 35 =	DESCRIPTION	PART NUMBER	SAP NUMBER	QUANTITY	FIGURE
1	ALL	Muffler	375-58655-000	577037	2	27
4	ALL	Evap. Waterbox Drain Kit	392-07157-000	900408	1	*
205	ALL	Dehydrator Less Cores	026-16960-000	740681	2	27
206	ALL	Valve	022-09779-000	731283	2	27
208	ALL	Valve Shut Off Ball Valve	022-11325-000	444576	2	27
210	F	Valve Ball 3/4 Ods	022-09580-000	48288	2	27
211	ALL	Valve Expansion Electronic	025-41565-000	346234	2	27
212	ALL	Indicator Moist Liquid Body	026-32399-000	740784	4	27
213	ALL	Indicator Moist Liquid Cap	026-32800-000	740799	4	27
214	ALL	Valve Expansion Electronic	025-44027-000	740403	2	27
215	ALL	Valve Angle Compr Mueller	022-11358-000	731384	2	27
216	ALL	Eductor Assembly	375-79597-000	549137	2	27
		Block, Oil Eductor	026-47323-000	994839	2	27
		Filter Drier 3/8 Orfs	026-37563-000	740969	2	27
		O-Ring Neo1 00.364Id .070Thk M	028-12961-012	618648	8	27
		O-Ring Neo1 00.924Id .116Thk M	028-12961-006	588821	2	27
		O-Ring Neo1 00.739Id .070Thk M	028-12961-015	618651	2	27
218	ALL	Fitting, 37 Deg. Flared Tube	023-18945-000	556321	4	27
220	ALL	Valve Ball 1/2 Od (C X C)	022-09172-000	731238	2	27
222	ALL	Valve, Charging Brass	022-09754-000	391983	6	27
224	ALL	Gasket Flange 3.625 Id 5.75Bc	028-15296-000	636248	2	27
225	ALL	Ctg Dehy 100 Percent Molecular	026-37540-000	740964	6	27
226	ALL	Gasket Round Flange Ansi 300 #	028-15965-001	742176	2	27
228	ALL	Switch Liquid Level	025-43324-101	636214	2	27
232	ALL	Valve, Transducer 1/4 Mpt X	022-09503-000	731261	2	27
233	ALL	Valve, Ball 1-5/8 Ods Conn's	022-08883-000	731236	2	27
235	ALL	Valve, Ball 3/8" Ods Conn	022-11906-000	695896	2	27
242	ALL	Valve, Butterfly Sz 5	022-10641-005	147048	2	27
264	ALL	Check Valve 1-5/8" CMV-26S	022-12037-000	577074	2	27

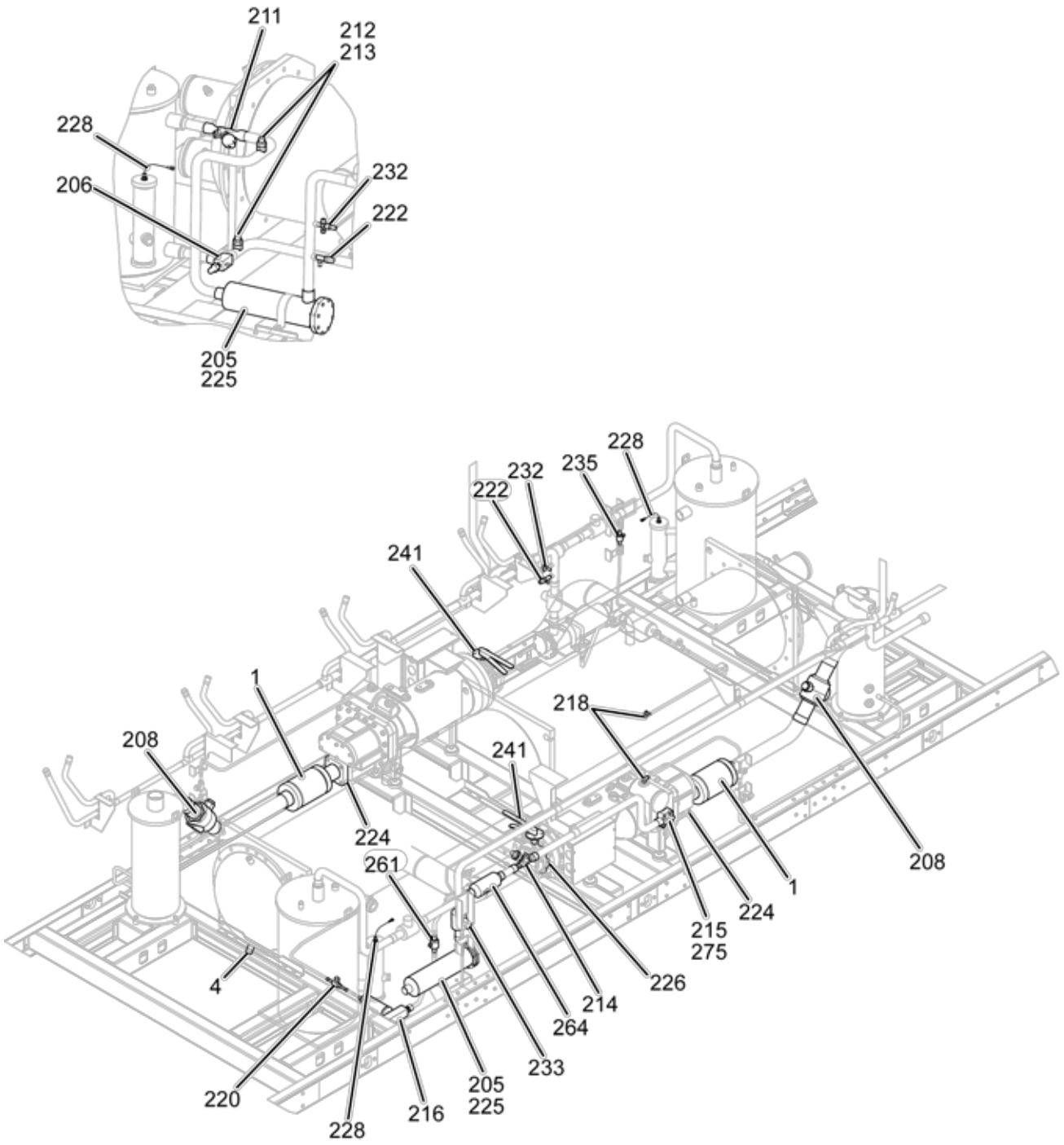


LD17341

FIGURE 27 - PIPING ASSEMBLY 0233 / 0843

TABLE 22 - PIPING ASSEMBLY 0245 / 0865

ITEM	PIN 35 =	DESCRIPTION	PART NUMBER	SAP NUMBER	QUANTITY	FIGURE
1	ALL	Muffler	375-58655-000	577037	2	28
4	ALL	Evap. Waterbox Drain Kit	392-07157-000	900408	1	*
205	ALL	Dehydrator Less Cores	026-16960-000	740681	2	28
206	ALL	Valve	022-09779-000	731283	2	28
208	ALL	Valve Shut Off Ball Valve	022-11325-000	444576	2	28
211	ALL	Valve Expansion Electronic	025-41565-000	346234	2	28
212	ALL	Indicator Moist Liquid Body	026-32399-000	740784	4	28
213	ALL	Indicator Moist Liquid Cap	026-32800-000	740799	4	28
214	ALL	Valve Expansion Electronic	025-44027-000	740403	2	28
215	ALL	Valve Angle Compr Mueller	022-11358-000	731384	2	28
216	ALL	Eductor Assembly	375-79597-000	549137	2	28
		Block, Oil Eductor	026-47323-000	994839	2	28
		Filter Drier 3/8 Orfs	026-37563-000	740969	2	28
		O-Ring Neo1 00.364Id .070Thk M	028-12961-012	618648	8	28
		O-Ring Neo1 00.924Id .116Thk M	028-12961-006	588821	2	28
		O-Ring Neo1 00.739Id .070Thk M	028-12961-015	618651	2	28
218	ALL	Fitting, 37 Deg. Flared Tube	023-18945-000	556321	4	28
220	ALL	Valve Ball 1/2 Od (C X C)	022-09172-000	731238	2	28
222	ALL	Valve, Charging Brass	022-09754-000	391983	6	28
224	ALL	Gasket Flange 3.625 Id 5.75Bc	028-15296-000	636248	2	28
225	ALL	Ctg Dehy 100 Percent Molecular	026-37540-000	740964	6	28
226	ALL	Gasket Round Flange Ansi 300 #	028-15965-001	742176	2	28
228	ALL	Switch Liquid Level	025-43324-101	636214	2	28
232	ALL	Valve, Transducer 1/4 Mpt X	022-09503-000	731261	2	28
233	ALL	Valve, Ball 1-5/8 Ods Conn's	022-08883-000	731236	2	28
235	ALL	Valve, Ball 3/8" Ods Conn	022-11906-000	695896	2	28
264	ALL	Check Valve 1-5/8" Cmv-26S	022-12037-000	577074	2	28
275	ALL	Plug Pipe 1/4 Npte Square	023-01195-000	711235	2	28

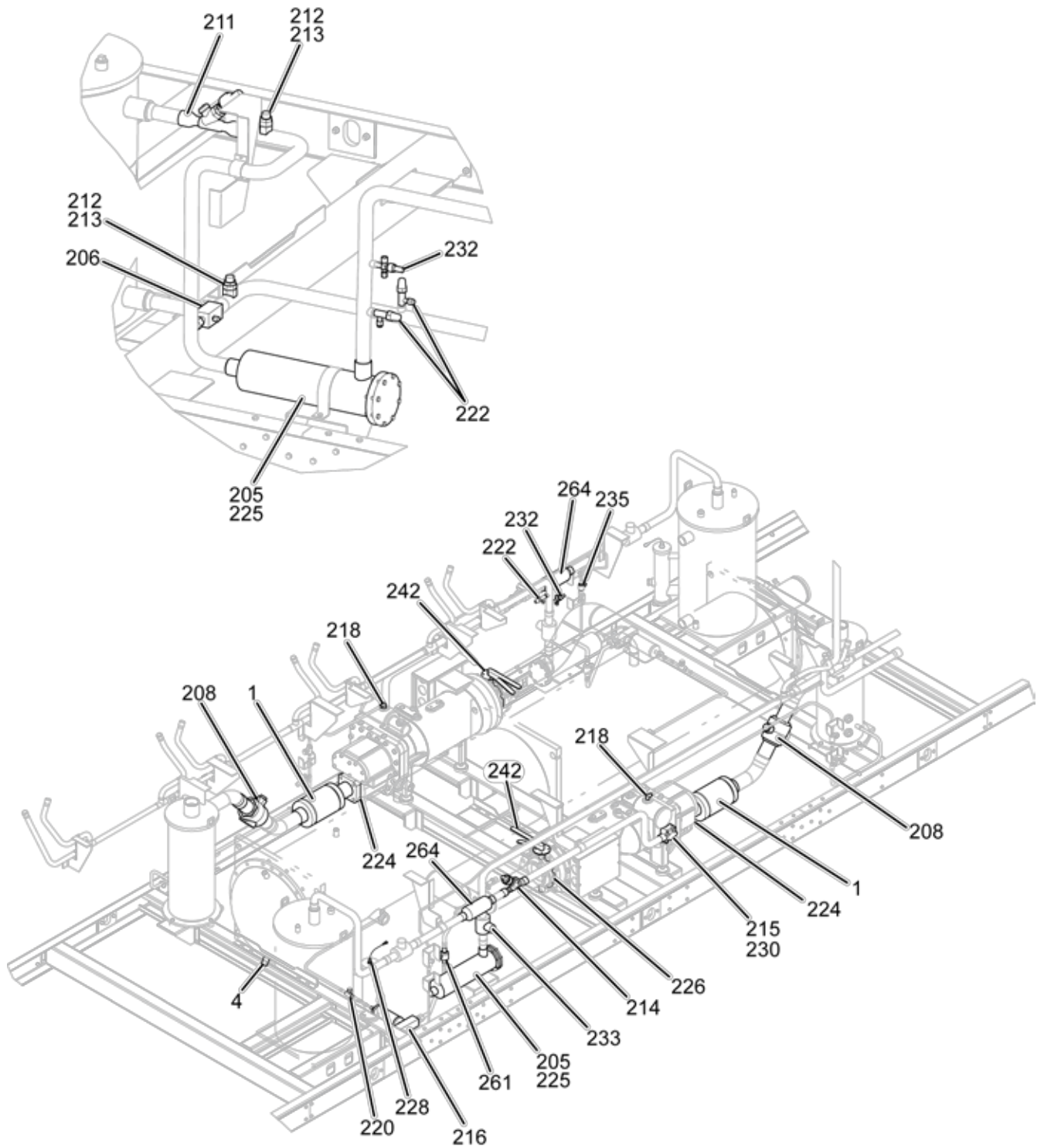


LD17342

FIGURE 28 - PIPING ASSEMBLY 0245 / 0865

TABLE 23 - PIPING ASSEMBLY 0248 / 0888

ITEM	PIN 35 =	DESCRIPTION	PART NUMBER	SAP NUMBER	QUANTITY	FIGURE
1	ALL	Muffler	375-58655-000	577037	2	29
4	ALL	Evap. Waterbox Drain Kit	392-07157-000	900408	1	*
205	ALL	Dehydrator Less Cores	026-16960-000	740681	2	29
206	ALL	Valve	022-09779-000	731283	2	29
208	ALL	Valve Shut Off Ball Valve	022-11325-000	444576	2	29
211	ALL	Valve Expansion Electronic	025-41565-000	346234	2	29
212	ALL	Indicator Moist Liquid Body	026-32399-000	740784	4	29
213	ALL	Indicator Moist Liquid Cap	026-32800-000	740799	4	29
214	ALL	Valve Expansion Electronic	025-44027-000	740403	2	29
215	ALL	Valve Angle Compr Mueller	022-11358-000	731384	2	29
216	ALL	Eductor Assembly	375-79597-000	549137	2	29
		Block, Oil Eductor	026-47323-000	994839	2	29
		Filter Drier 3/8 Orfs	026-37563-000	740969	2	29
		O-Ring Neo1 00.364Id .070Thk M	028-12961-012	618648	8	29
		O-Ring Neo1 00.924Id .116Thk M	028-12961-006	588821	2	29
		O-Ring Neo1 00.739Id .070Thk M	028-12961-015	618651	2	29
218	ALL	Fitting, 37 Deg. Flared Tube	023-18945-000	556321	4	29
220	ALL	Valve Ball 1/2 Od (C X C)	022-09172-000	731238	2	29
222	ALL	Valve, Charging Brass	022-09754-000	391983	6	29
224	ALL	Gasket Flange 3.625 Id 5.75Bc	028-15296-000	636248	2	29
225	ALL	Ctg Dehy 100 Percent Molecular	026-37540-000	740964	6	29
226	ALL	Gasket Round Flange Ansi 300 #	028-15965-001	742176	2	29
228	ALL	Switch Liquid Level	025-43324-101	636214	2	29
230	ALL	Plug Pipe 1/4 Npte Square	023-01195-000	711235	2	29
232	ALL	Valve, Transducer 1/4 Mpt X	022-09503-000	731261	2	29
233	ALL	Valve, Ball 1-5/8 Ods Conn's	022-08883-000	731236	2	29
235	ALL	Valve, Ball 3/8" Ods Conn	022-11906-000	695896	2	29



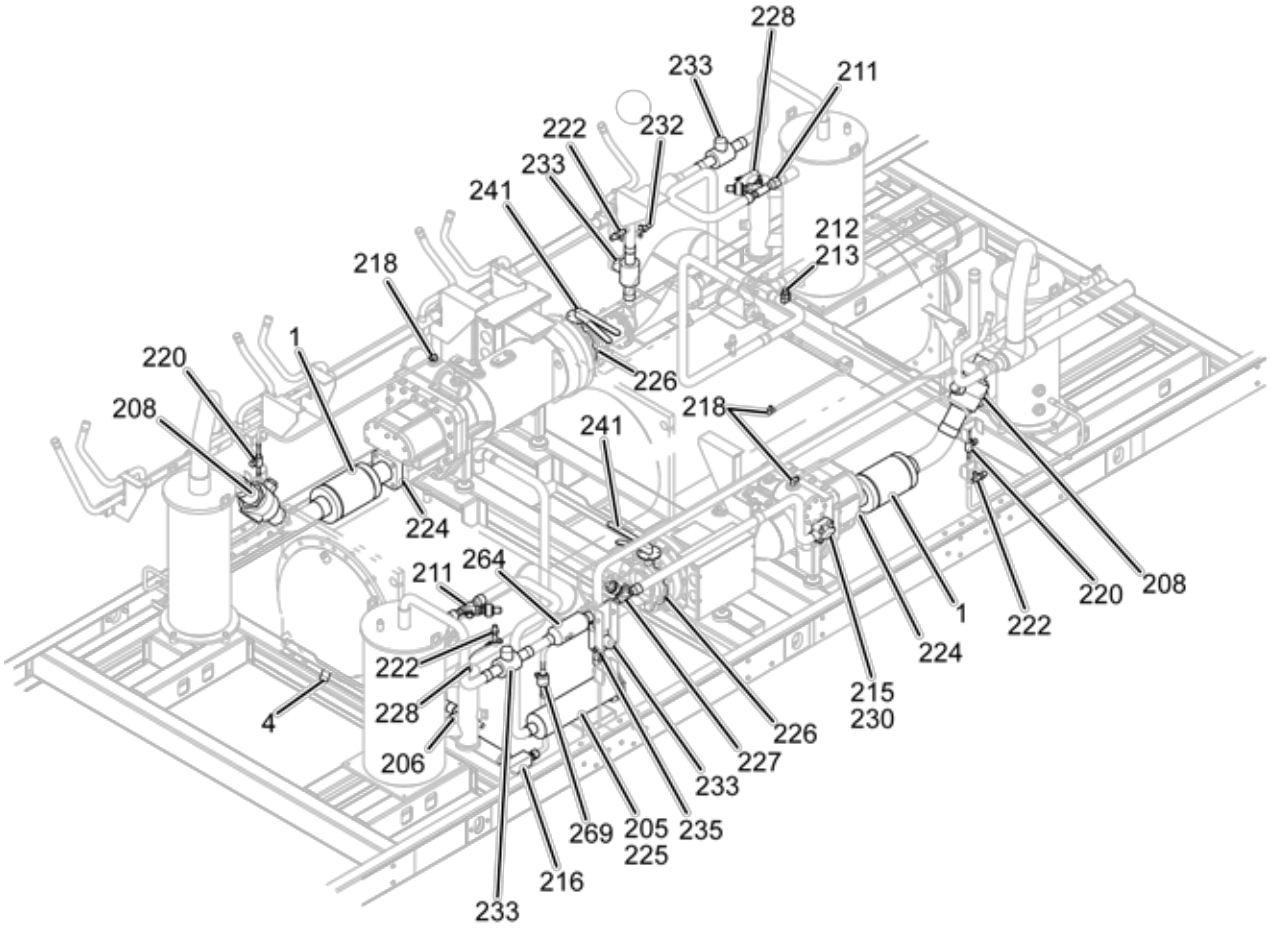
LD17343

FIGURE 29 - PIPING ASSEMBLY 0248 / 0888

TABLE 24 - PIPING ASSEMBLY 0263 / 0943

ITEM	PIN 35 =	DESCRIPTION	PART NUMBER	SAP NUMBER	QUANTITY	FIGURE
1	ALL	Muffler	375-58655-000	577037	2	30
4	ALL	Evap. Waterbox Drain Kit	392-07157-000	900408	1	*
205	ALL	Dehydrator Less Cores	026-16960-000	740681	2	30
206	ALL	Valve	022-09779-000	731283	2	30
208	ALL	Valve Shut Off Ball Valve	022-11325-000	444576	2	30
211	ALL	Valve Expansion Electronic	025-41565-000	346234	2	30
212	ALL	Indicator Moist Liquid Body	026-32399-000	740784	4	30
213	ALL	Indicator Moist Liquid Cap	026-32800-000	740799	4	30
215	ALL	Valve Angle Compr Mueller	022-11358-000	731384	2	30
216	ALL	Eductor Assembly	375-79597-000	549137	2	30
		Block, Oil Eductor	026-47323-000	994839	2	30
		Filter Drier 3/8 Orfs	026-37563-000	740969	2	30
		O-Ring Neo1 00.364Id .070Thk M	028-12961-012	618648	8	30
		O-Ring Neo1 00.924Id .116Thk M	028-12961-006	588821	2	30
		O-Ring Neo1 00.739Id .070Thk M	028-12961-015	618651	2	30
218	ALL	Fitting, 37 Deg. Flared Tube	023-18945-000	556321	4	30
220	ALL	Valve Ball 1/2 Od (C X C)	022-09172-000	731238	2	30
222	ALL	Valve, Charging Brass	022-09754-000	391983	6	30
224	ALL	Gasket Flange 3.625 Id 5.75Bc	028-15296-000	636248	2	30
225	ALL	Ctg Dehy 100 Percent Molecular	026-37540-000	740964	6	30
226	ALL	Gasket Round Flange Ansi 300 #	028-15965-001	742176	2	30
227	ALL	Valve Expansion Electronic	025-44027-000	740403	2	30
228	ALL	Switch Liquid Level	025-43324-101	636214	2	30
230	ALL	Plug Pipe 1/4 Npte Square	023-01195-000	711235	2	30
232	ALL	Valve, Transducer 1/4 Mpt X	022-09503-000	731261	2	30
233	ALL	Valve, Ball 1-5/8 Ods Conn's	022-08883-000	731236	2	30
235	ALL	Valve, Ball 3/8" Ods Conn	022-11906-000	695896	2	30
241	ALL	Valve, Butterfly Sz 5	022-10641-005	147048	2	30
264	ALL	Check Valve 1-5/8" CMV-26S	022-12037-000	577074	2	30
269	F	Valve Ball 3/4 Ods	022-09580-000	48288	2	30

NOTE: Items with an * are NOT represented.



LD17344

FIGURE 30 - PIPING ASSEMBLY 0263 / 0943

TABLE 25 - PIPING ASSEMBLY 0273 / 0963

ITEM	PIN 35 =	DESCRIPTION	PART NUMBER	SAP NUMBER	QUANTITY	FIGURE
1	ALL	Muffler	375-58655-000	577037	2	31
4	ALL	Evap. Waterbox Drain Kit	392-07157-000	900408	1	*
205	ALL	Dehydrator Less Cores	026-16960-000	740681	2	31
206	ALL	Valve	022-09779-000	731283	2	31
208	ALL	Valve Shut Off Ball Valve	022-11325-000	444576	2	31
211	ALL	Valve Expansion Electronic	025-41565-000	346234	2	31
212	ALL	Indicator Moist Liquid Body	026-32399-000	740784	4	31
213	ALL	Indicator Moist Liquid Cap	026-32800-000	740799	4	31
214	ALL	Valve Expansion Electronic	025-44027-000	740403	2	31
215	ALL	Valve Angle Compr Mueller	022-11358-000	731384	2	31
216	ALL	Eductor Assembly	375-79597-000	549137	2	31
		Block, Oil Eductor	026-47323-000	994839	2	31
		Filter Drier 3/8 Orfs	026-37563-000	740969	2	31
		O-Ring Neo1 00.364Id .070Thk M	028-12961-012	618648	8	31
		O-Ring Neo1 00.924Id .116Thk M	028-12961-006	588821	2	31
		O-Ring Neo1 00.739Id .070Thk M	028-12961-015	618651	2	31
218	ALL	Fitting, 37 Deg. Flared Tube	023-18945-000	556321	4	31
220	ALL	Valve Ball 1/2 Od (C X C)	022-09172-000	731238	2	31
222	ALL	Valve, Charging Brass	022-09754-000	391983	6	31
224	ALL	Gasket Flange 3.625 Id 5.75Bc	028-15296-000	636248	2	31
225	ALL	Ctg Dehy 100 Percent Molecular	026-37540-000	740964	6	31
226	ALL	Gasket Round Flange Ansi 300 #	028-15965-001	742176	2	31
227	F	Valve Ball 3/4 Ods	022-09580-000	48288	2	31
228	ALL	Switch Liquid Level	025-43324-101	636214	2	31
232	ALL	Valve, Transducer 1/4 Mpt X	022-09503-000	731261	2	31
233	ALL	Valve, Ball 1-5/8 Ods Conn's	022-08883-000	731236	2	31
235	ALL	Plug Pipe 1/4 Npte Square	023-01195-000	711235	2	31
236	ALL	Valve, Ball 3/8" Ods Conn	022-11906-000	695896	2	31
241	ALL	Valve, Butterfly Sz 5	022-10641-005	147048	2	31
264	ALL	Check Valve 1-5/8" CMV-26S	022-12037-000	577074	2	31
269	F	Valve Ball 3/4 Ods	022-09580-000	48288	2	31

NOTE: Items with an * are NOT represented.

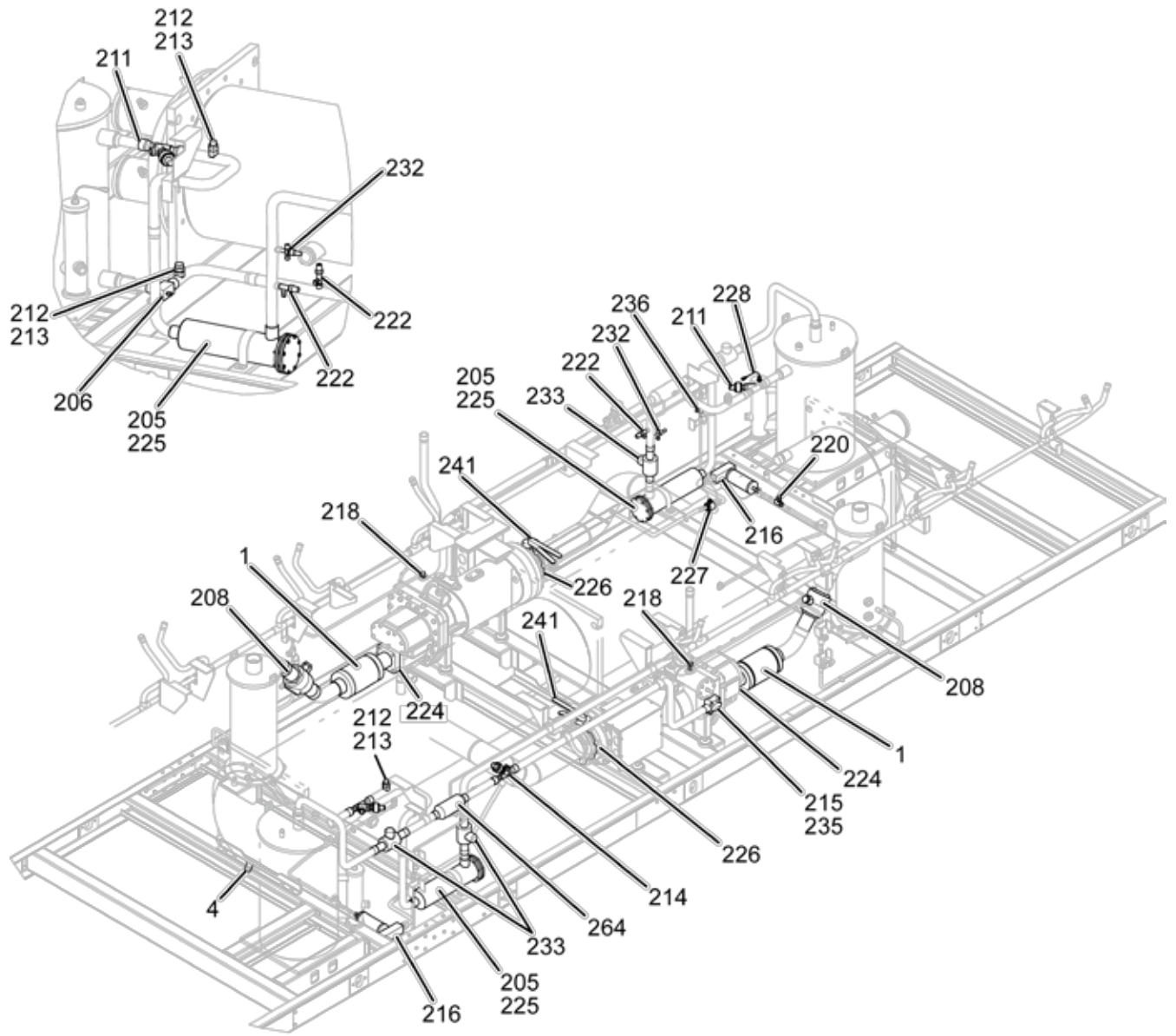
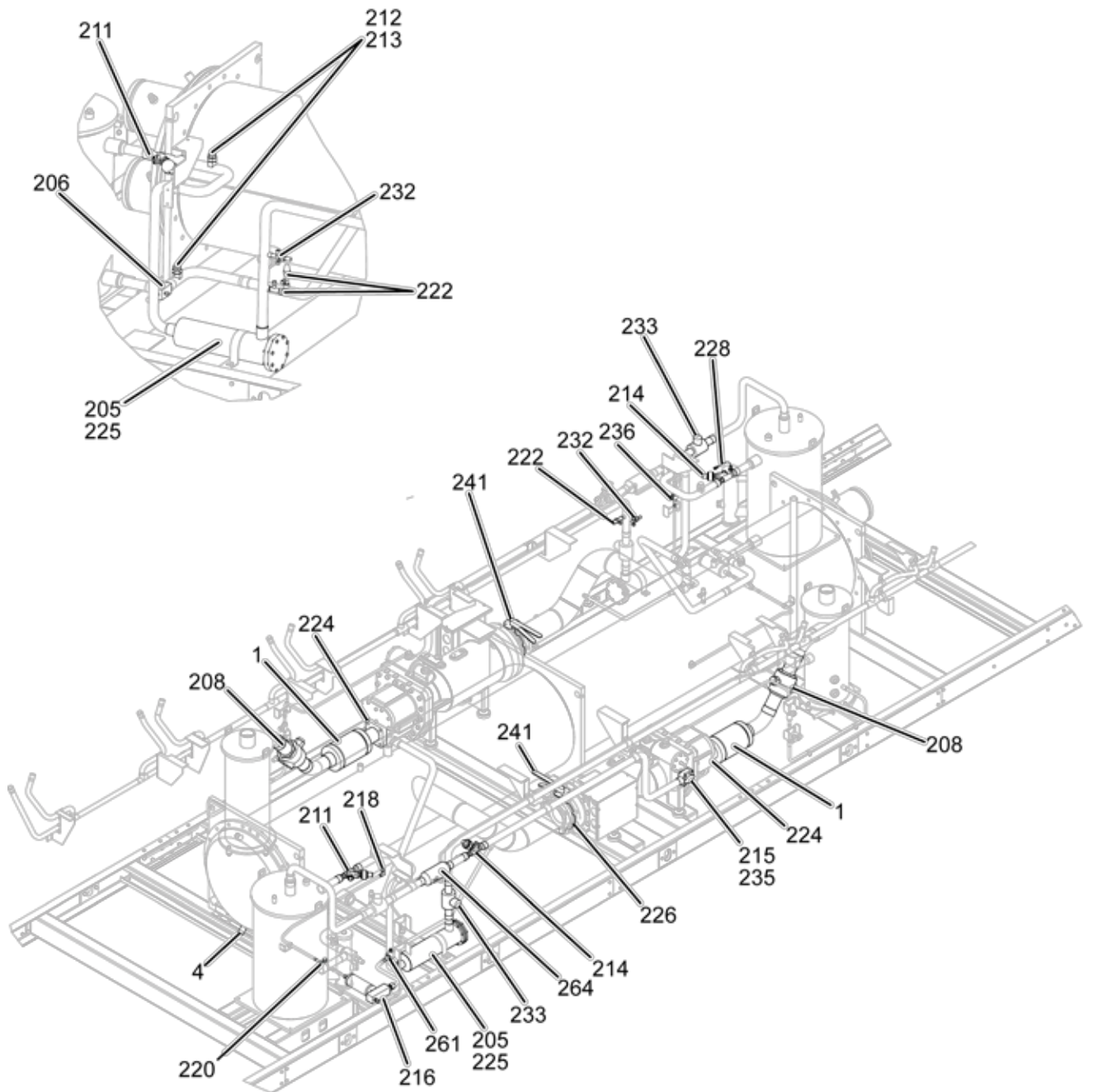


FIGURE 31 - PIPING ASSEMBLY 0273 / 0963

TABLE 26 - PIPING ASSEMBLY 0275 / 0965

ITEM	PIN 35 =	DESCRIPTION	PART NUMBER	SAP NUMBER	QUANTITY	FIGURE
1	ALL	Muffler	375-58655-000	577037	2	32
4	ALL	Evap. Waterbox Drain Kit	392-07157-000	900408	1	*
205	ALL	Dehydrator Less Cores	026-16960-000	740681	2	32
206	ALL	Valve	022-09779-000	731283	2	32
208	ALL	Valve Shut Off Ball Valve	022-11325-000	444576	2	32
211	ALL	Valve Expansion Electronic	025-41565-000	346234	2	32
212	ALL	Indicator Moist Liquid Body	026-32399-000	740784	4	32
213	ALL	Indicator Moist Liquid Cap	026-32800-000	740799	4	32
214	ALL	Valve Expansion Electronic	025-44027-000	740403	2	32
215	ALL	Valve Angle Compr Mueller	022-11358-000	731384	2	32
216	ALL	Eductor Assembly	375-79597-000	549137	2	32
		Block, Oil Eductor	026-47323-000	994839	2	32
		Filter Drier 3/8 Orfs	026-37563-000	740969	2	32
		O-Ring Neo1 00.364Id .070Thk M	028-12961-012	618648	8	32
		O-Ring Neo1 00.924Id .116Thk M	028-12961-006	588821	2	32
		O-Ring Neo1 00.739Id .070Thk M	028-12961-015	618651	2	32
218	ALL	Fitting, 37 Deg. Flared Tube	023-18945-000	556321	4	32
220	ALL	Valve Ball 1/2 Od (C X C)	022-09172-000	731238	2	32
222	ALL	Valve, Charging Brass	022-09754-000	391983	6	32
224	ALL	Gasket Flange 3.625 Id 5.75Bc	028-15296-000	636248	2	32
225	ALL	Ctg Dehy 100 Percent Molecular	026-37540-000	740964	6	32
226	ALL	Gasket Round Flange Ansi 300 #	028-15965-001	742176	2	32
228	ALL	Switch Liquid Level	025-43324-101	636214	2	32
232	ALL	Valve, Transducer 1/4 Mpt X	022-09503-000	731261	2	32
233	ALL	Valve, Ball 1-5/8 Ods Conn's	022-08883-000	731236	2	32
235	ALL	Plug Pipe 1/4 Npte Square	023-01195-000	711235	2	32
236	ALL	Valve, Ball 3/8" Ods Conn	022-11906-000	695896	2	32
240	ALL	Flow Washer Liquid Pip	075-89867-009	674904	2	32
261	F	Valve Ball 3/4 Ods	022-09580-000	48288	2	32
264	ALL	Check Valve 1-5/8" Cmv-26S	022-12037-000	577074	2	32

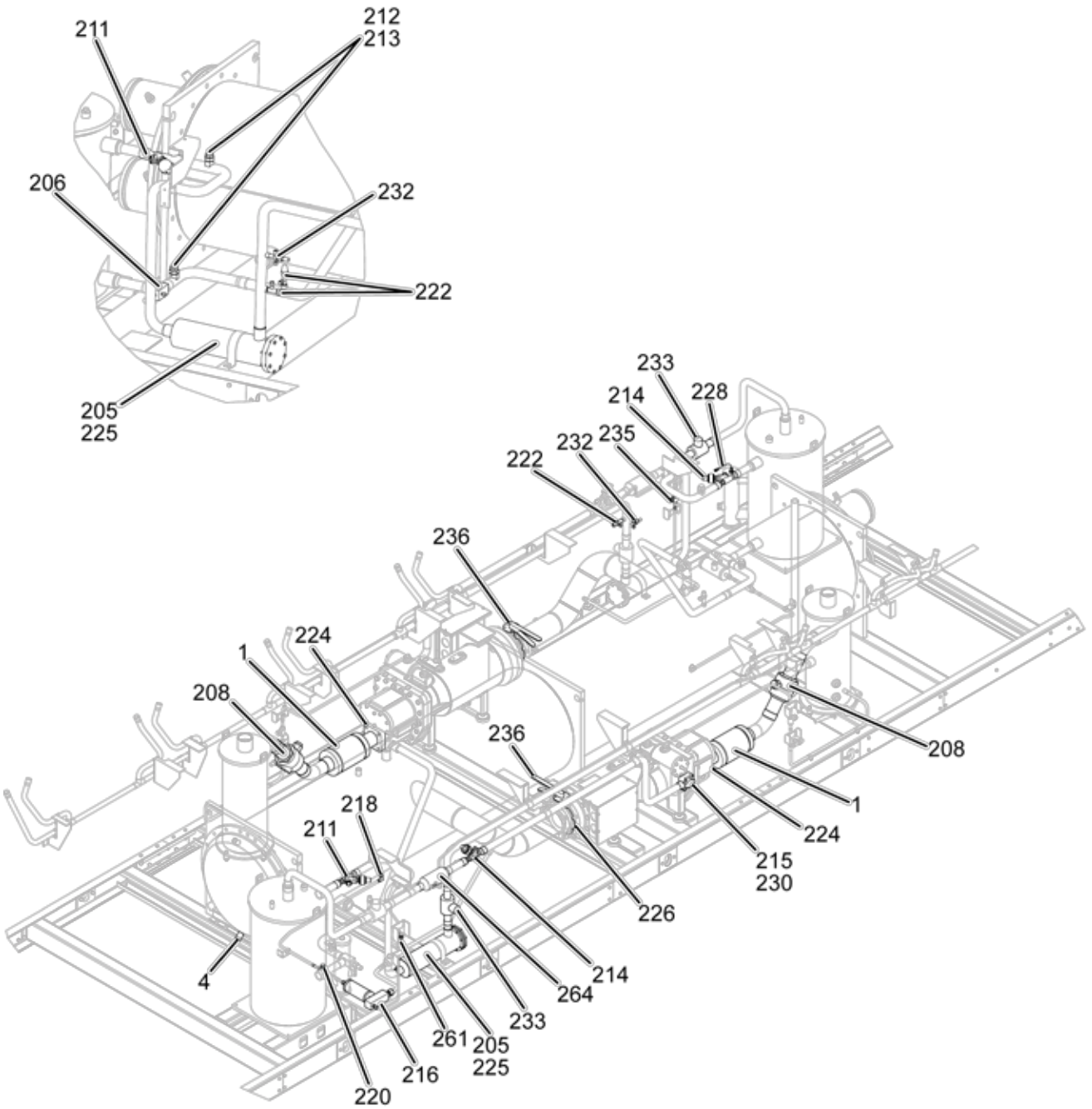


LD1734E

FIGURE 32 - PIPING ASSEMBLY 0275 / 0965

TABLE 27 - PIPING ASSEMBLY 0278 / 0988

ITEM	PIN 35 =	DESCRIPTION	PART NUMBER	SAP NUMBER	QUANTITY	FIGURE
1	ALL	Muffler	375-58655-000	577037	2	33
4	ALL	Evap. Waterbox Drain Kit	392-07157-000	900408	1	*
205	ALL	Dehydrator Less Cores	026-16960-000	740681	2	33
206	ALL	Valve	022-09779-000	731283	2	33
207	ALL	Cplg Sld C X C 3/8 X 3/8	023-00075-000	699732	1	33
208	ALL	Valve Shut Off Ball Valve	022-11325-000	444576	2	33
209	ALL	Tee Sld C X C X C 1-3/8 X	023-02720-000	731675	2	33
211	ALL	Valve Expansion Electronic	025-41565-000	346234	2	33
212	ALL	Indicator Moist Liquid Body	026-32399-000	740784	4	33
213	ALL	Indicator Moist Liquid Cap	026-32800-000	740799	4	33
214	ALL	Valve Expansion Electronic	025-44027-000	740403	2	33
215	ALL	Valve Angle Compr Mueller	022-11358-000	731384	2	33
216	ALL	Eductor Assembly	375-79597-000	549137	2	33
		Block, Oil Eductor	026-47323-000	994839	2	33
		Filter Drier 3/8 Orfs	026-37563-000	740969	2	33
		O-Ring Neo1 00.364Id .070Thk M	028-12961-012	618648	8	33
		O-Ring Neo1 00.924Id .116Thk M	028-12961-006	588821	2	33
		O-Ring Neo1 00.739Id .070Thk M	028-12961-015	618651	2	33
218	ALL	Fitting, 37 Deg. Flared Tube	023-18945-000	556321	4	33
220	ALL	Valve Ball 1/2 Od (C X C)	022-09172-000	731238	2	33
222	ALL	Valve, Charging Brass	022-09754-000	391983	6	33
224	ALL	Gasket Flange 3.625 Id 5.75Bc	028-15296-000	636248	2	33
225	ALL	Ctg Dehy 100 Percent Molecular	026-37540-000	740964	6	33
226	ALL	Gasket Round Flange Ansi 300 #	028-15965-001	742176	2	33
228	ALL	Switch Liquid Level	025-43324-101	636214	2	33
230	ALL	Plug Pipe 1/4 Npte Square	023-01195-000	711235	2	33
232	ALL	Valve, Transducer 1/4 Mpt X	022-09503-000	731261	2	33
233	ALL	Valve, Ball 1-5/8 Ods Conn's	022-08883-000	731236	2	33
235	ALL	Valve, Ball 3/8" Ods Conn	022-11906-000	695896	2	33
240	ALL	Flow Washer Liquid Pip	075-89867-001	760073	2	33
264	ALL	Check Valve 1-5/8" Cmv-26S	022-12037-000	577074	2	33

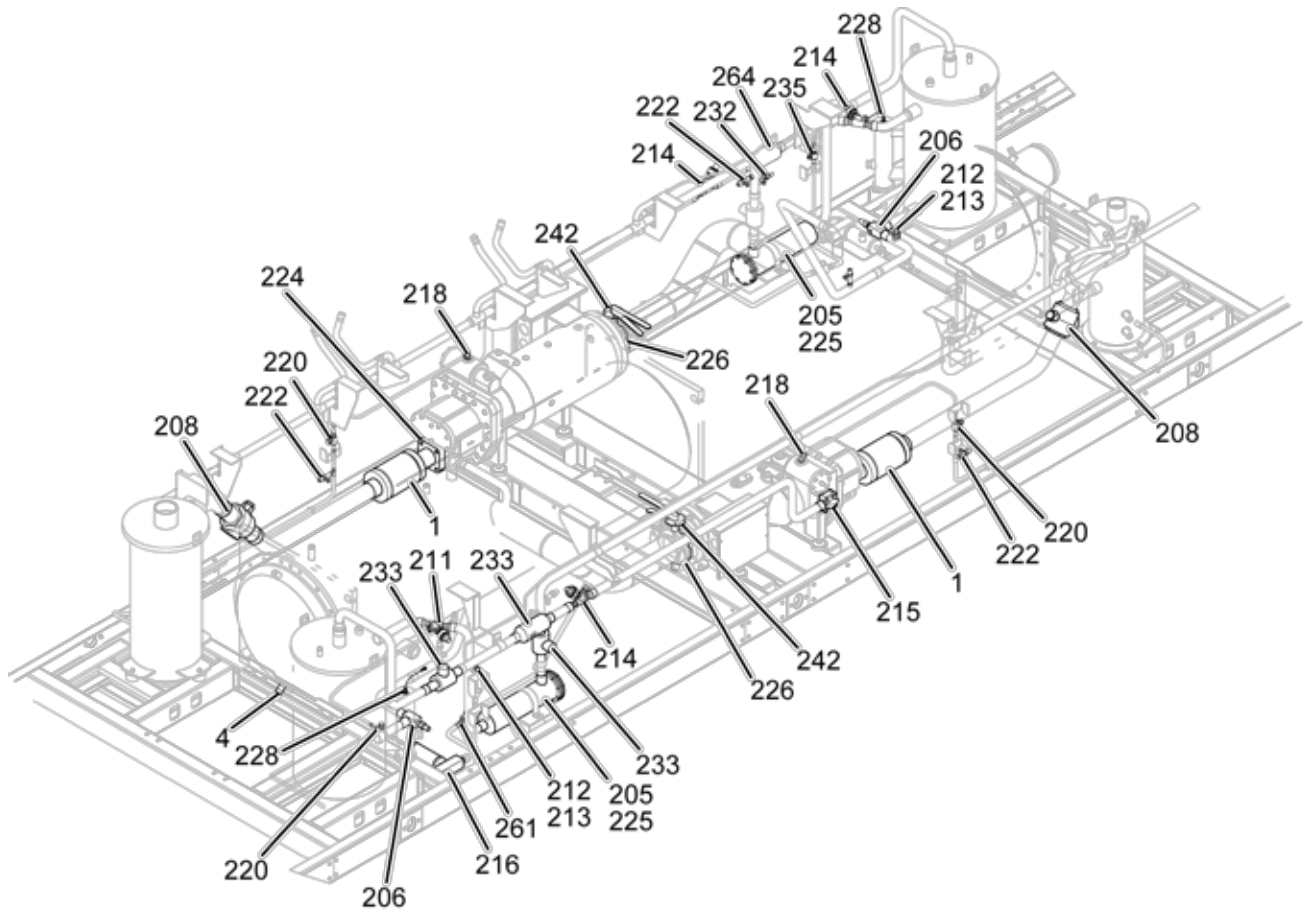


LD17347

FIGURE 33 - PIPING ASSEMBLY 0278 / 0988

TABLE 28 - PIPING ASSEMBLY 0295 / 1015

ITEM	PIN 35 =	DESCRIPTION	PART NUMBER	SAP NUMBER	QUANTITY	FIGURE
1	ALL	Muffler	375-58655-000	577037	2	34
4	ALL	Evap. Waterbox Drain Kit	392-07157-000	900408	1	*
205	ALL	Dehydrator Less Cores	026-16960-000	740681	2	34
206	ALL	Valve	022-09779-000	731283	2	34
208	ALL	Valve Shut Off Ball Valve	022-11325-000	444576	2	34
211	ALL	Valve Expansion Electronic	025-41565-000	346234	1	34
212	ALL	Indicator Moist Liquid Body	026-32399-000	740784	4	34
213	ALL	Indicator Moist Liquid Cap	026-32800-000	740799	4	34
214	ALL	Valve Expansion Electronic	025-44027-000	740403	3	34
215	ALL	Valve Angle Compr Mueller	022-11358-000	731384	2	34
216	ALL	Eductor Assembly	375-79597-000	549137	1	34
		Block, Oil Eductor	026-47323-000	994839	2	34
		Filter Drier 3/8 Orfs	026-37563-000	740969	2	34
		O-Ring Neo1 00.364Id .070Thk M	028-12961-012	618648	8	34
		O-Ring Neo1 00.924Id .116Thk M	028-12961-006	588821	2	34
		O-Ring Neo1 00.739Id .070Thk M	028-12961-015	618651	2	34
218	ALL	Fitting, 37 Deg. Flared Tube	023-18945-000	556321	4	34
220	ALL	Valve Ball 1/2 Od (C X C)	022-09172-000	731238	2	34
222	ALL	Valve, Charging Brass	022-09754-000	391983	6	34
224	ALL	Gasket Flange 3.625 Id 5.75Bc	028-15296-000	636248	2	34
225	ALL	Ctg Dehy 100 Percent Molecular	026-37540-000	740964	6	34
226	ALL	Gasket Round Flange Ansi 300 #	028-15965-001	742176	2	34
228	ALL	Switch Liquid Level	025-43324-100	674826	2	34
230	ALL	Plug Pipe 1/4 Npte Square	023-01195-000	711235	2	34
232	ALL	Valve, Transducer 1/4 Mpt X	022-09503-000	731261	2	34
233	ALL	Valve, Ball 1-5/8 Ods Conn's	022-08883-000	731236	2	34
264	ALL	Check Valve 1-5/8" Cmv-26S	022-12037-000	577074	2	34



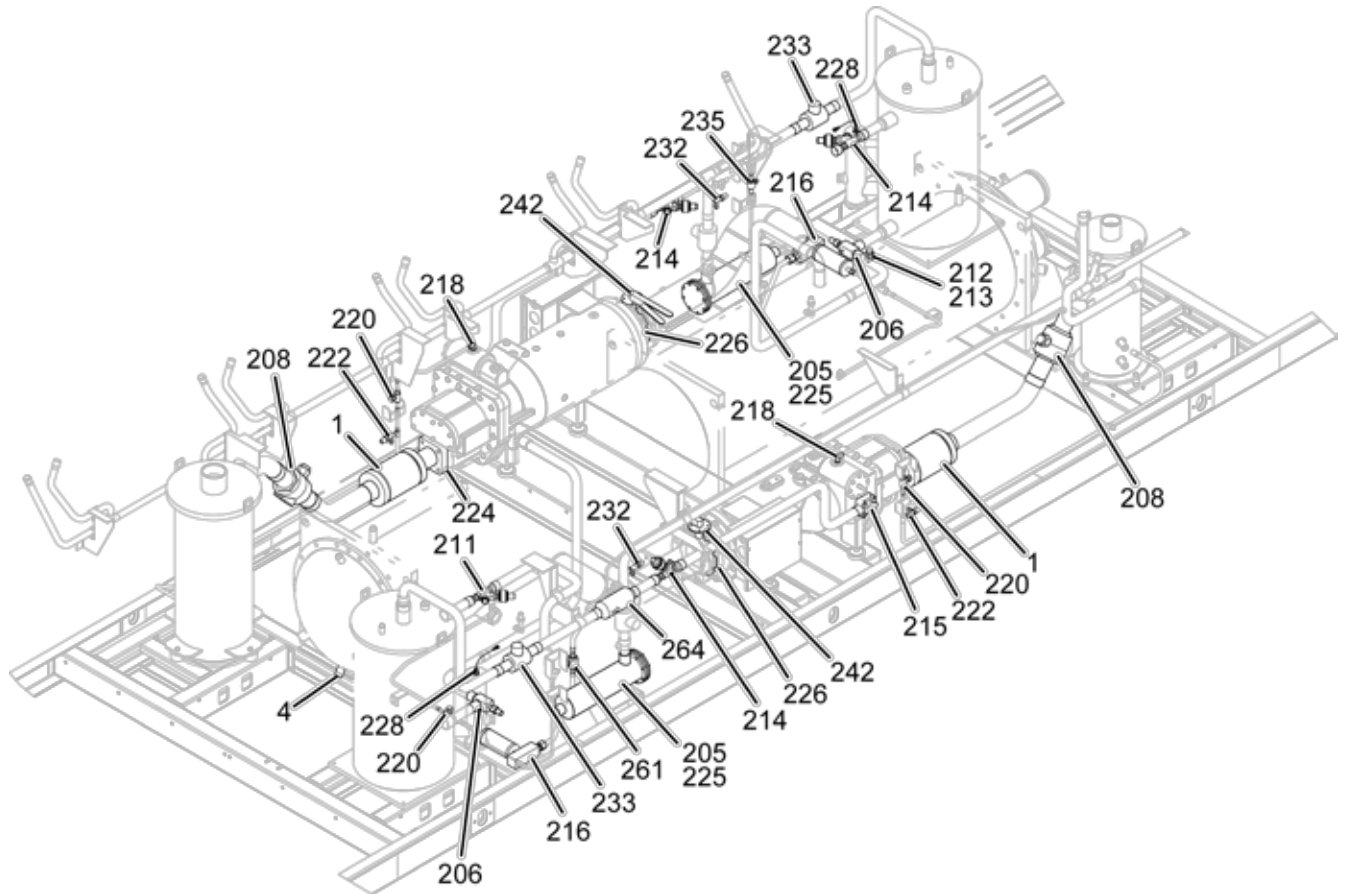
LD1895E

FIGURE 34 - PIPING ASSEMBLY 0295 / 1015

TABLE 29 - PIPING ASSEMBLY 0303 / 1093

ITEM	PIN 35 =	DESCRIPTION	PART NUMBER	SAP NUMBER	QUANTITY	FIGURE
1	ALL	Muffler	375-58655-000	577037	2	35
4	ALL	Evap. Waterbox Drain Kit	392-07157-000	900408	1	*
205	ALL	Dehydrator Less Cores	026-16960-000	740681	2	35
206	ALL	Valve	022-09779-000	731283	2	35
208	ALL	Valve Shut Off Ball Valve	022-11325-000	444576	2	35
211	ALL	Valve Expansion Electronic	025-41565-000	346234	1	35
212	ALL	Indicator Moist Liquid Body	026-32399-000	740784	4	35
213	ALL	Indicator Moist Liquid Cap	026-32800-000	740799	4	35
214	ALL	Valve Expansion Electronic	025-44027-000	740403	3	35
215	ALL	Valve Angle Compr Mueller	022-11358-000	731384	2	35
216	ALL	Eductor Assembly	375-79597-000	549137	2	35
		Block, Oil Eductor	026-47323-000	994839	2	35
		Filter Drier 3/8 Orfs	026-37563-000	740969	2	35
		O-Ring Neo1 00.364Id .070Thk M	028-12961-012	618648	8	35
		O-Ring Neo1 00.924Id .116Thk M	028-12961-006	588821	2	35
		O-Ring Neo1 00.739Id .070Thk M	028-12961-015	618651	2	35
218	ALL	Fitting, 37 Deg. Flared Tube	023-18945-000	556321	4	35
220	ALL	Valve Ball 1/2 Od (C X C)	022-09172-000	731238	2	35
222	ALL	Valve, Charging Brass	022-09754-000	391983	6	35
224	ALL	Gasket Flange 3.625 Id 5.75Bc	028-15296-000	636248	2	35
225	ALL	Ctg Dehy 100 Percent Molecular	026-37540-000	740964	6	35
226	ALL	Gasket Round Flange Ansi 300 #	028-15965-001	742176	2	35
227	ALL	Fitting, 37 Deg. Flared Tube	023-25191-000	734138	2	35
228	ALL	Switch Liquid Level	025-43324-101	636214	2	35
230	ALL	Plug Pipe 1/4 Npte Square	023-01195-000	711235	2	35
232	ALL	Valve, Transducer 1/4 Mpt X	022-09503-000	731261	2	35
233	ALL	Valve, Ball 1-5/8 Ods Conn's	022-08883-000	731236	2	35
235	F, S	Valve, Ball 3/8" Ods Conn	022-11906-000	695896	2	35
264	ALL	Check Valve 1-5/8" Cmv-26S	022-12037-000	577074	2	35

NOTE: Items with an * are NOT represented.

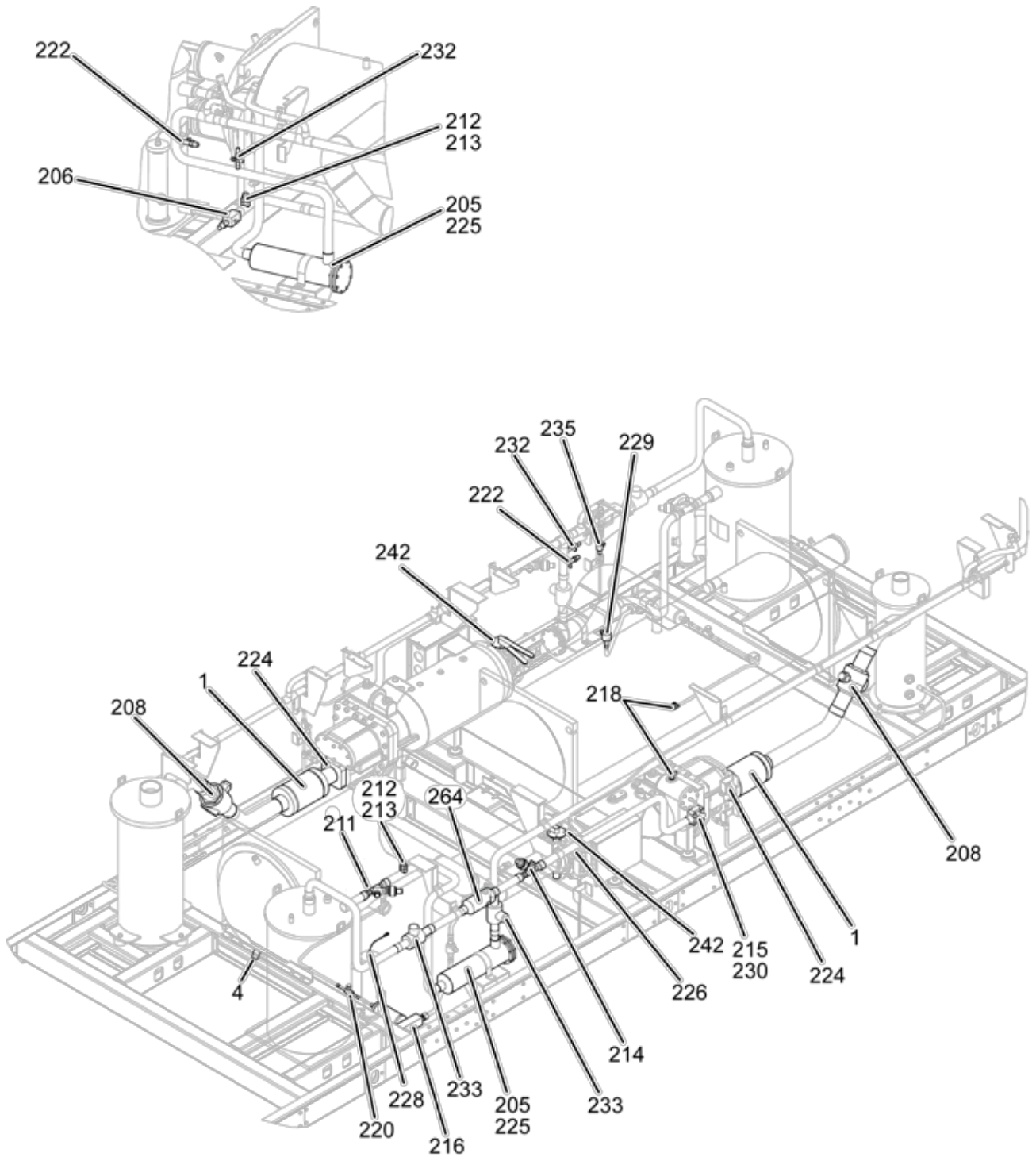


LD18959

FIGURE 35 - PIPING ASSEMBLY 0303 / 1093

TABLE 30 - PIPING ASSEMBLY 0305 / 1065

ITEM	PIN 35 =	DESCRIPTION	PART NUMBER	SAP NUMBER	QUANTITY	FIGURE
1	ALL	Muffler	375-58655-000	577037	2	36
4	ALL	Evap. Waterbox Drain Kit	392-07157-000	900408	1	*
205	ALL	Dehydrator Less Cores	026-16960-000	740681	2	36
206	ALL	Valve	022-09779-000	731283	2	36
208	ALL	Valve Shut Off Ball Valve	022-11325-000	444576	2	36
211	ALL	Valve Expansion Electronic	025-41565-000	346234	1	36
212	ALL	Indicator Moist Liquid Body	026-32399-000	740784	4	36
213	ALL	Indicator Moist Liquid Cap	026-32800-000	740799	4	36
214	ALL	Valve Expansion Electronic	025-44027-000	740403	3	36
215	ALL	Valve Angle Compr Mueller	022-11358-000	731384	2	36
216	ALL	Eductor Assembly	375-79597-000	549137	1	36
		Block, Oil Eductor	026-47323-000	994839	2	36
		Filter Drier 3/8 Orfs	026-37563-000	740969	2	36
		O-Ring Neo1 00.364Id .070Thk M	028-12961-012	618648	8	36
		O-Ring Neo1 00.924Id .116Thk M	028-12961-006	588821	2	36
		O-Ring Neo1 00.739Id .070Thk M	028-12961-015	618651	2	36
218	ALL	Fitting, 37 Deg. Flared Tube	023-18945-000	556321	4	36
220	ALL	Valve Ball 1/2 Od (C X C)	022-09172-000	731238	2	36
222	ALL	Valve, Charging Brass	022-09754-000	391983	6	36
224	ALL	Gasket Flange 3.625 Id 5.75Bc	028-15296-000	636248	2	36
225	ALL	Ctg Dehy 100 Percent Molecular	026-37540-000	740964	6	36
226	ALL	Gasket Round Flange Ansi 300 #	028-15965-001	742176	2	36
228	ALL	Switch Liquid Level	025-43324-100	674826	2	36
230	ALL	Plug Pipe 1/4 Npte Square	023-01195-000	711235	2	36
232	ALL	Valve, Transducer 1/4 Mpt X	022-09503-000	731261	2	36
233	ALL	Valve, Ball 1-5/8 Ods Conn's	022-08883-000	731236	2	36
264	ALL	Check Valve 1-5/8" Cmv-26S	022-12037-000	577074	2	36



LD17350

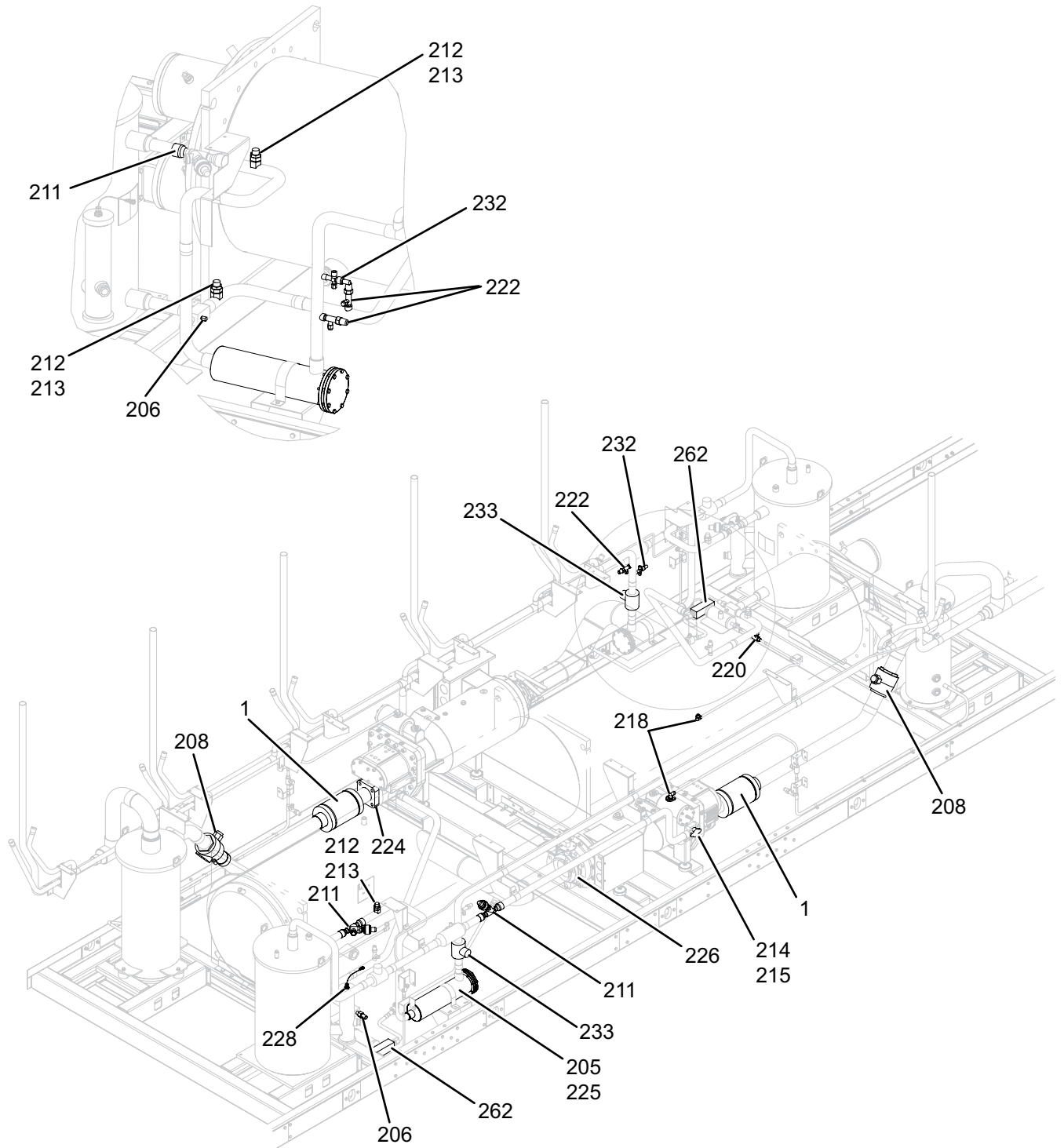
FIGURE 36 - PIPING ASSEMBLY 0305 / 1065

TABLE 31 - PIPING ASSEMBLY 0308 / 1088

ITEM	PIN 35 =	DESCRIPTION	PART NUMBER	SAP NUMBER	QUANTITY	FIGURE
1	ALL	Muffler	375-58655-000	577037	2	37
4	ALL	Evap. Waterbox Drain Kit	392-07157-000	900408	1	*
205	ALL	Dehydrator Less Cores	026-16960-000	740681	2	37
206	ALL	Valve	022-09779-000	731283	2	37
208	ALL	Valve Shut Off Ball Valve	022-11325-000	444576	2	37
212	ALL	Indicator Moist Liquid Body	026-32399-000	740784	4	37
213	ALL	Indicator Moist Liquid Cap	026-32800-000	740799	4	37
214	ALL	Valve Expansion Electronic	025-44027-000	740403	3	37
215	ALL	Valve Angle Compr Mueller	022-11358-000	731384	2	37
218	ALL	Fitting, 37 Deg. Flared Tube	023-18945-000	556321	4	37
220	ALL	Valve Ball 1/2 Od (C X C)	022-09172-000	731238	2	37
222	ALL	Valve, Charging Brass	022-09754-000	391983	6	37
224	ALL	Gasket Flange 3.625 Id 5.75Bc	028-15296-000	636248	2	37
225	ALL	Ctg Dehy 100 Percent Molecular	026-37540-000	740964	6	37
226	ALL	Gasket Round Flange Ansi 300 #	028-15965-001	742176	2	37
228	ALL	Switch Liquid Level	025-43324-101	636214	2	37
230	ALL	Plug Pipe 1/4 Npte Square	023-01195-000	711235	2	37
232	ALL	Valve, Transducer 1/4 Mpt X	022-09503-000	731261	2	37
233	ALL	Valve, Ball 1-5/8 Ods Conn's	022-08883-000	731236	2	37
234	F, S	Valve, Ball 3/8" Ods Conn	022-11906-000	695896	2	37
235	F, S	Valve Butterfly Size 5	022-10641-005	147048	2	37
261	ALL	Eductor Assembly	375-79597-000	549137	2	37
		Block, Oil Eductor	026-47323-000	994839	2	37
		Filter Drier 3/8 Orfs	026-37563-000	740969	2	37
		O-Ring Neo1 00.364Id .070Thk M	028-12961-012	618648	8	37
		O-Ring Neo1 00.924Id .116Thk M	028-12961-006	588821	2	37
		O-Ring Neo1 00.739Id .070Thk M	028-12961-015	618651	2	37

TABLE 32 - PIPING ASSEMBLY 0318 / 1188

ITEM	PIN 35 =	DESCRIPTION	PART NUMBER	SAP NUMBER	QUANTITY	FIGURE
1	ALL	Muffler	375-58655-000	577037	2	38
4	ALL	Evap. Waterbox Drain Kit	392-07157-000	900408	1	*
205	ALL	Dehydrator Less Cores	026-16960-000	740681	2	38
206	ALL	Valve	022-09779-000	731283	2	38
208	ALL	Valve Shut Off Ball Valve	022-11325-000	444576	2	38
211	ALL	Valve Expansion Electronic	025-44027-000	740403	3	38
212	ALL	Indicator Moist Liquid Body	026-32399-000	740784	4	38
213	ALL	Indicator Moist Liquid Cap	026-32800-000	740799	4	38
214	ALL	Plug Pipe 1/4 Npte Square	023-01195-000	711235	2	38
215	ALL	Valve Angle Compr Mueller	022-11358-000	731384	2	38
218	ALL	Fitting, 37 Deg. Flared Tube	023-18945-000	556321	4	38
220	ALL	Valve Ball 1/2 Od (C X C)	022-09172-000	731238	2	38
222	ALL	Valve, Charging Brass	022-09754-000	391983	6	38
224	ALL	Gasket Flange 3.625 Id 5.75Bc	028-15296-000	636248	2	38
225	ALL	Ctg Dehy 100 Percent Molecular	026-37540-000	740964	6	38
226	ALL	Gasket Round Flange Ansi 300 #	028-15965-001	742176	2	38
228	ALL	Switch Liquid Level	025-43324-101	636214	2	38
232	ALL	Valve, Transducer 1/4 Mpt X	022-09503-000	731261	2	38
233	ALL	Valve, Ball 1-5/8 Ods Conn's	022-08883-000	731236	2	38
262	ALL	Eductor Assembly	375-79597-000	549137	2	38
		Block, Oil Eductor	026-47323-000	994839	2	38
		Filter Drier 3/8 Orfs	026-37563-000	740969	2	38
		O-Ring Neo1 00.364Id .070Thk M	028-12961-012	618648	8	38
		O-Ring Neo1 00.924Id .116Thk M	028-12961-006	588821	2	38
		O-Ring Neo1 00.739Id .070Thk M	028-12961-015	618651	2	38



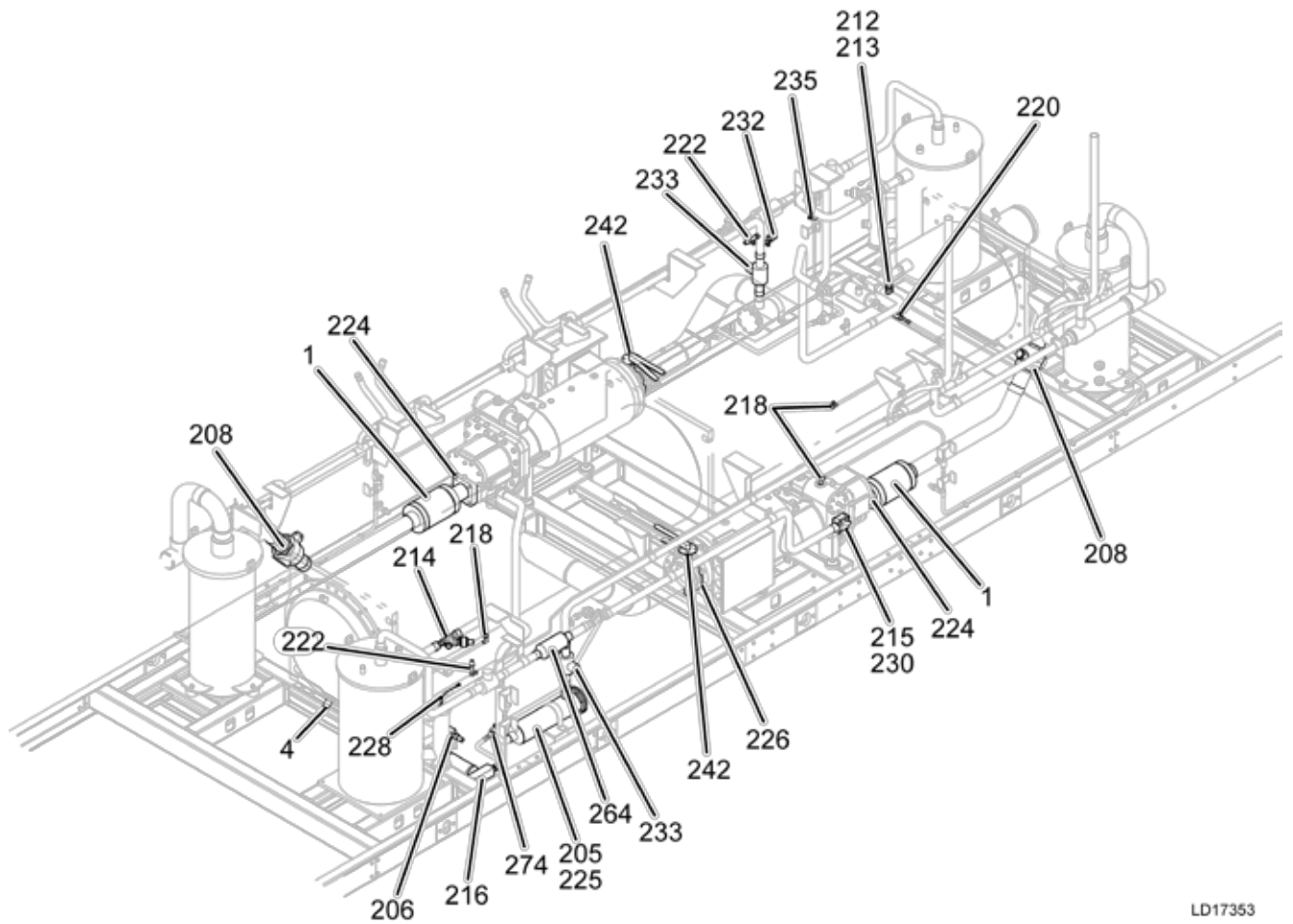
LD17352

FIGURE 38 - PIPING ASSEMBLY 0318 / 1188

TABLE 33 - PIPING ASSEMBLY 0323 / 1143

ITEM	PIN 35 =	DESCRIPTION	PART NUMBER	SAP NUMBER	QUANTITY	FIGURE
1	ALL	Muffler	375-58655-000	577037	2	39
4	ALL	Evap. Waterbox Drain Kit	392-07157-000	900408	1	*
205	ALL	Dehydrator Less Cores	026-16960-000	740681	2	39
206	ALL	Valve	022-09779-000	731283	2	39
208	ALL	Valve Shut Off Ball Valve	022-11325-000	444576	2	39
212	ALL	Indicator Moist Liquid Body	026-32399-000	740784	4	39
213	ALL	Indicator Moist Liquid Cap	026-32800-000	740799	4	39
214	ALL	Valve Expansion Electronic	025-44027-000	740403	4	39
215	ALL	Valve Angle Compr Mueller	022-11358-000	731384	2	39
216	ALL	Eductor Assembly	375-93265-000	636235	2	39
218	ALL	Fitting, 37 Deg. Flared Tube	023-18945-000	556321	4	39
220	ALL	Valve Ball 1/2 Od (C X C)	022-09172-000	731238	2	39
222	ALL	Valve, Charging Brass	022-09754-000	391983	6	39
224	ALL	Gasket Flange 3.625 Id 5.75Bc	028-15296-000	636248	2	39
225	ALL	Ctg Dehy 100 Percent Molecular	026-37540-000	740964	6	39
226	ALL	Gasket Round Flange Ansi 300 #	028-15965-001	742176	2	39
227	ALL	Fitting, 37 Deg. Flared Tube;	023-25191-000	734138	2	39
228	ALL	Switch Liquid Level	025-43324-101	636214	2	39
230	ALL	Plug Pipe 1/4 Npte Square	023-01195-000	711235	2	39
232	ALL	Valve, Transducer 1/4 Mpt X	022-09503-000	731261	2	39
233	ALL	Valve, Ball 1-5/8 Ods Conn's	022-08883-000	731236	2	39
235	F, S	Valve, Ball 3/8" Ods Conn	022-11906-000	695896	2	39
264	ALL	Check Valve 1-5/8" CMV-26S	022-12037-000	577074	2	39
274	F	Valve Ball 3/4 Ods	022-09580-000	48288	2	39

NOTE: Items with an * are NOT represented.



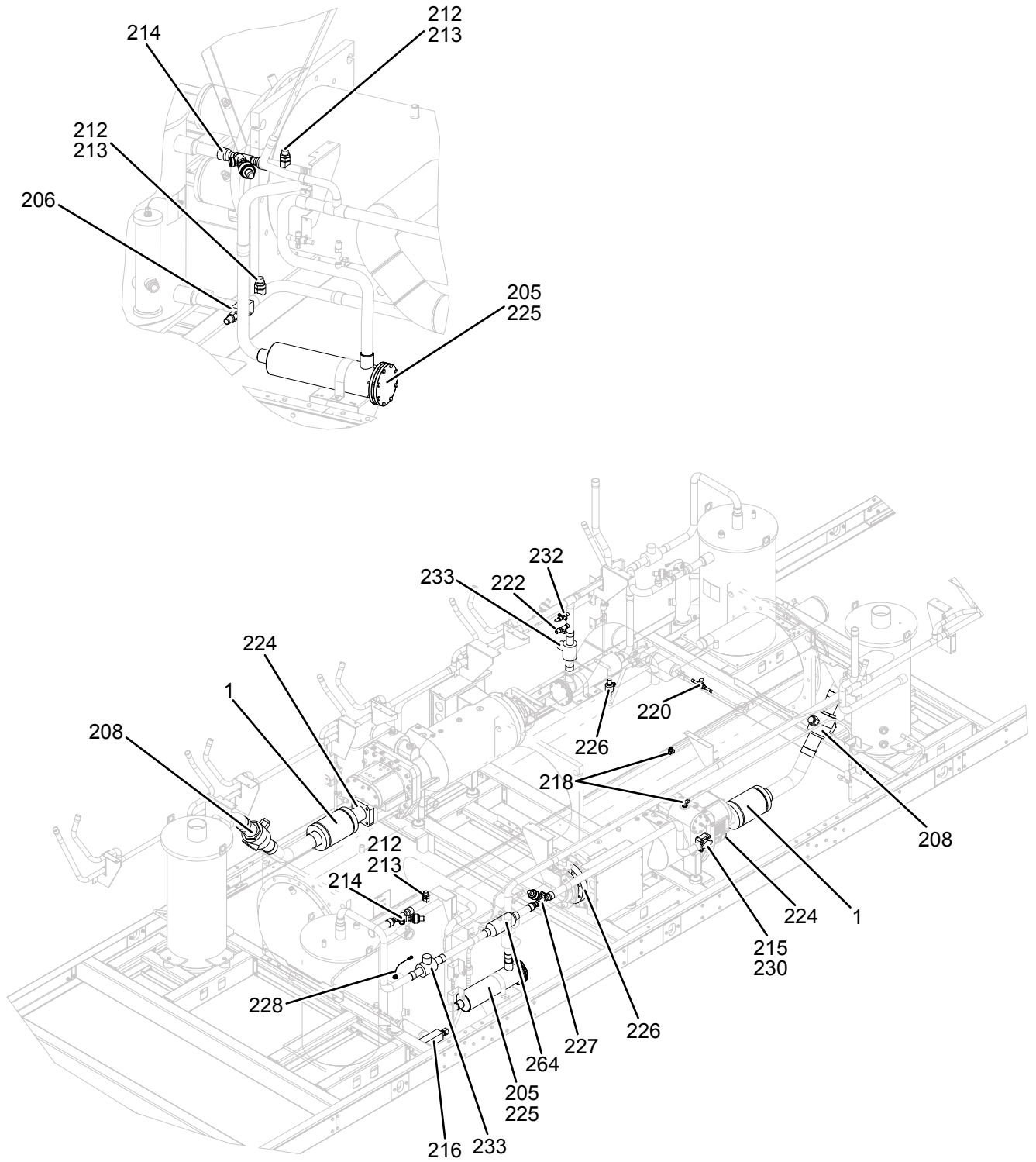
LD17353

FIGURE 39 - PIPING ASSEMBLY 0323 / 1143

TABLE 34 - PIPING ASSEMBLY 0333 / 1173

ITEM	PIN 35 =	DESCRIPTION	PART NUMBER	SAP NUMBER	QUANTITY	FIGURE
1	ALL	Muffler	375-58655-000	577037	2	40
4	ALL	Evap. Waterbox Drain Kit	392-07157-000	900408	1	*
205	ALL	Dehydrator Less Cores	026-16960-000	740681	2	40
206	ALL	Valve	022-09779-000	731283	2	40
208	ALL	Valve Shut Off Ball Valve	022-11325-000	444576	2	40
212	ALL	Indicator Moist Liquid Body	026-32399-000	740784	4	40
213	ALL	Indicator Moist Liquid Cap	026-32800-000	740799	4	40
214	ALL	Valve Expansion Electronic	025-44027-000	740403	4	40
215	ALL	Valve Angle Compr Mueller	022-11358-000	731384	2	40
216	ALL	Eductor Assembly	375-93265-000	636235	2	40
218	ALL	Fitting, 37 Deg. Flared Tube	023-18945-000	556321	4	40
220	ALL	Valve Ball 1/2 Od (C X C)	022-09172-000	731238	2	40
222	ALL	Valve, Charging Brass	022-09754-000	391983	6	40
224	ALL	Gasket Flange 3.625 Id 5.75Bc	028-15296-000	636248	2	40
225	ALL	Ctg Dehy 100 Percent Molecular	026-37540-000	740964	6	40
226	X	Gasket Round Flange Ansi 300 #	028-15965-001	742176	2	40
	F	Valve Ball 3/4 Ods	022-09580-000	48288	2	40
227	ALL	Fitting, 37 Deg. Flared Tube	023-25191-000	734138	2	40
228	ALL	Switch Liquid Level	025-43324-101	636214	2	40
230	ALL	Plug Pipe 1/4 Npte Square	023-01195-000	711235	2	40
232	ALL	Valve, Transducer 1/4 Mpt X	022-09503-000	731261	2	40
233	ALL	Valve, Ball 1-5/8 Ods Conn's	022-08883-000	731236	2	40
235	F, S	Valve, Ball 3/8" Ods Conn	022-11906-000	695896	2	40
264	ALL	Check Valve 1-5/8" CMV-26S	022-12037-000	577074	2	40

NOTE: Items with an * are NOT represented.



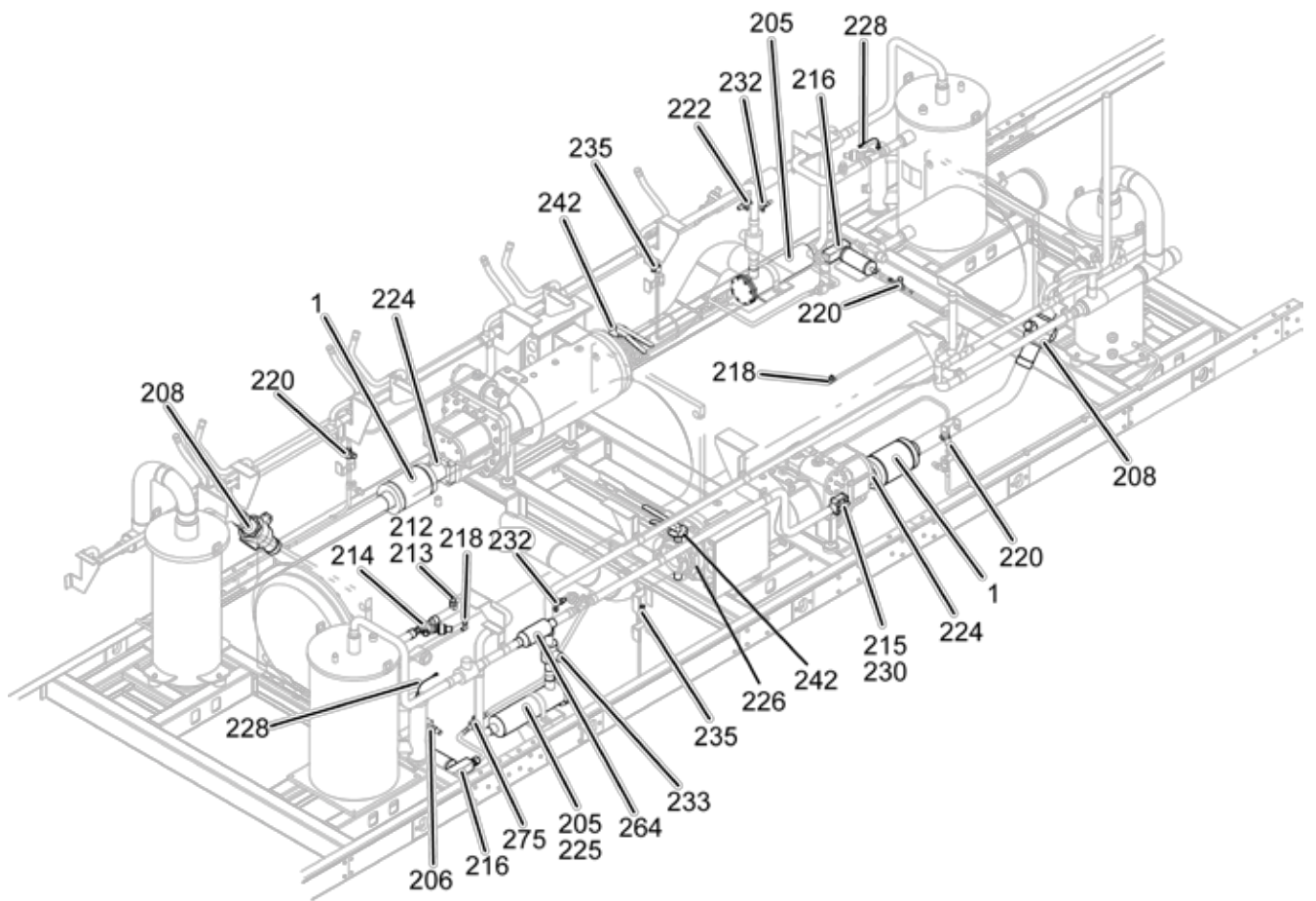
LD17354

FIGURE 40 - PIPING ASSEMBLY 0333 / 1173

TABLE 35 - PIPING ASSEMBLY 0343 / 1193

ITEM	PIN 35 =	DESCRIPTION	PART NUMBER	SAP NUMBER	QUANTITY	FIGURE
1	ALL	Muffler	375-58655-000	577037	2	41
4	ALL	Evap. Waterbox Drain Kit	392-07157-000	900408	1	*
205	ALL	Dehydrator Less Cores	026-16960-000	740681	2	41
206	ALL	Valve	022-09779-000	731283	2	41
208	ALL	Valve Shut Off Ball Valve	022-11325-000	444576	2	41
212	ALL	Indicator Moist Liquid Body	026-32399-000	740784	4	41
213	ALL	Indicator Moist Liquid Cap	026-32800-000	740799	4	41
214	ALL	Valve Expansion Electronic	025-44027-000	740403	4	41
215	ALL	Valve Angle Compr Mueller	022-11358-000	731384	2	41
216	ALL	Eductor Assembly	375-93265-000	636235	2	41
218	ALL	Fitting, 37 Deg. Flared Tube	023-18945-000	556321	4	41
220	ALL	Valve Ball 1/2 Od (C X C)	022-09172-000	731238	2	41
222	ALL	Valve, Charging Brass	022-09754-000	391983	6	41
224	ALL	Gasket Flange 3.625 Id 5.75Bc	028-15296-000	636248	2	41
225	ALL	Ctg Dehy 100 Percent Molecular	026-37540-000	740964	6	41
226	ALL	Gasket Round Flange Ansi 300 #	028-15965-001	742176	2	41
227	ALL	Fitting, 37 Deg. Flared Tube	023-25191-000	734138	2	41
228	ALL	Switch Liquid Level	025-43324-101	636214	2	41
230	ALL	Plug Pipe 1/4 Npte Square	023-01195-000	711235	2	41
232	ALL	Valve, Transducer 1/4 Mpt X	022-09503-000	731261	2	41
233	ALL	Valve, Ball 1-5/8 Ods Conn's	022-08883-000	731236	2	41
235	F	Valve, Ball 3/8" Ods Conn	022-11906-000	695896	2	*
264	ALL	Check Valve 1-5/8" CMV-26S	022-12037-000	577074	2	41
275	F	Valve Ball 3/4 Ods	022-09580-000	48288	2	41

NOTE: Items with an * are NOT represented.

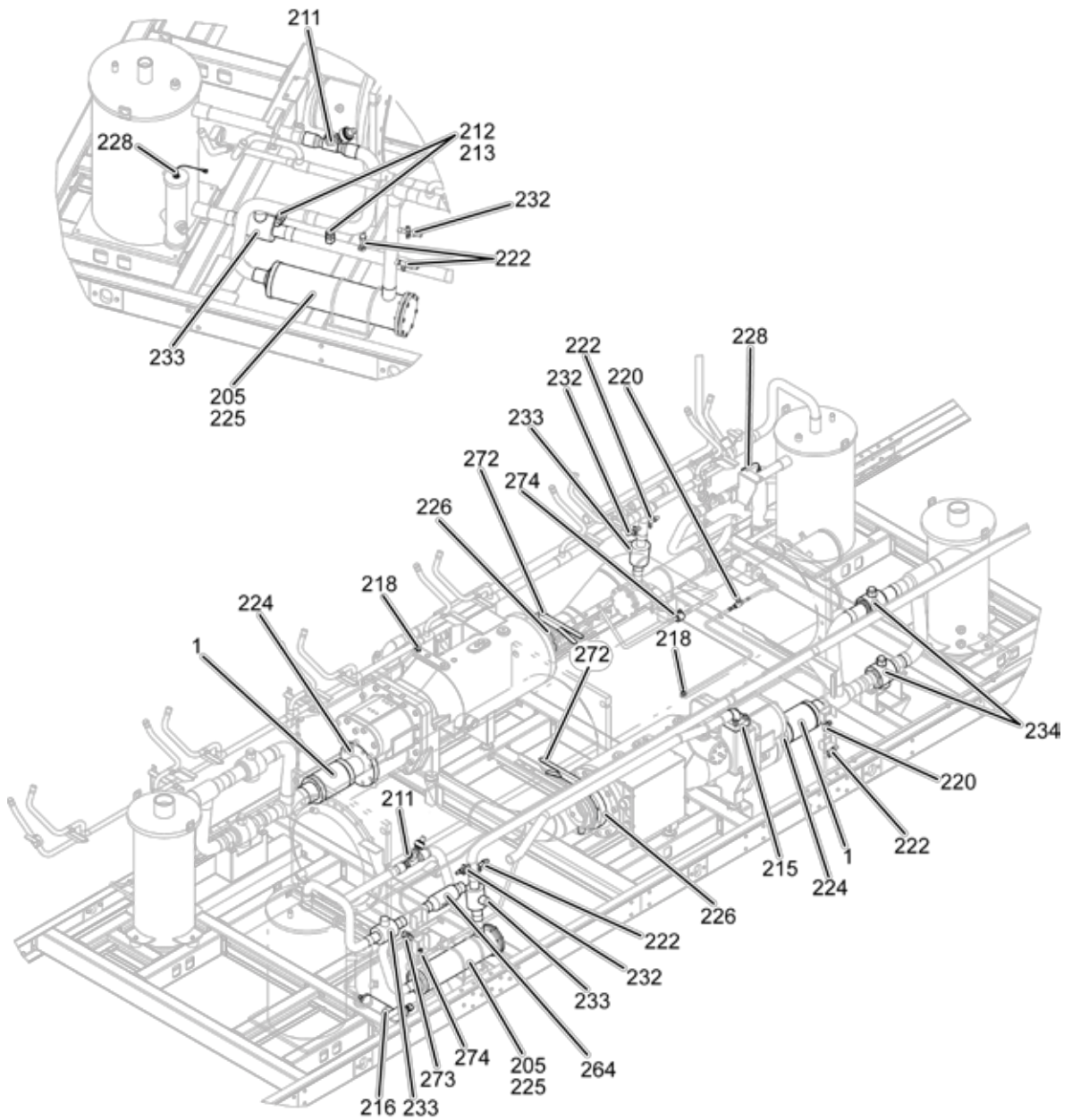


LD17355

FIGURE 41 - PIPING ASSEMBLY 0343 / 1193

TABLE 36 - PIPING ASSEMBLY 0345 / 1215

ITEM	PIN 35 =	DESCRIPTION	PART NUMBER	SAP NUMBER	QUANTITY	FIGURE
1	ALL	Muffler	375-58655-000	577037	2	42
4	ALL	Evap. Waterbox Drain Kit	392-07157-000	900408	1	*
205	ALL	Dehydrator Less Cores	026-16960-000	740681	2	42
206	ALL	Valve	022-09779-000	731283	2	42
208	ALL	Valve Shut Off Ball Valve	022-11325-000	444576	2	42
211	ALL	Valve Expansion Electronic	025-44027-000	740403	4	42
212	ALL	Indicator Moist Liquid Body	026-32399-000	740784	4	42
213	ALL	Indicator Moist Liquid Cap	026-32800-000	740799	4	42
214	ALL	Plug Pipe 1/4 Npte Square	023-01195-000	711235	2	42
215	ALL	Valve Angle Compr Mueller	022-11358-000	731384	2	42
216	ALL	Eductor Assembly	375-93265-000	636235	2	42
		Block, Oil Eductor	026-46625-000	741320	2	42
		Filter Drier 3/8 Orfs	026-37563-000	740969	2	42
		O-Ring Neo1 00.364Id .070Thk M	028-12961-012	618648	8	42
		O-Ring Neo1 00.924Id .116Thk M	028-12961-006	588821	2	42
		O-Ring Neo1 00.739Id .070Thk M	028-12961-015	618651	2	42
218	ALL	Fitting, 37 Deg. Flared Tube	023-18945-000	556321	4	42
220	ALL	Valve Ball 1/2 Od (C X C)	022-09172-000	731238	2	42
222	ALL	Valve, Charging Brass	022-09754-000	391983	6	42
224	ALL	Gasket Flange 3.625 Id 5.75Bc	028-15296-000	636248	2	42
225	ALL	Ctg Dehy 100 Percent Molecular	026-37540-000	740964	6	42
226	ALL	Gasket Round Flange Ansi 300 #	028-15965-001	742176	2	42
228	ALL	Switch Liquid Level	025-43324-101	636214	2	42
232	ALL	Valve, Transducer 1/4 Mpt X	022-09503-000	731261	2	42
233	ALL	Valve, Ball 1-5/8 Ods Conn's	022-08883-000	731236	2	42
235	F	Valve, Ball 3/8" Ods Conn	022-11906-000	695896	2	42
264	ALL	Check Valve 1-5/8" Cmv-26S	022-12037-000	577074	2	42



LD17359

FIGURE 42 - PIPING ASSEMBLY 0345 / 1215

TABLE 37 - PIPING ASSEMBLY 0373 / 1343

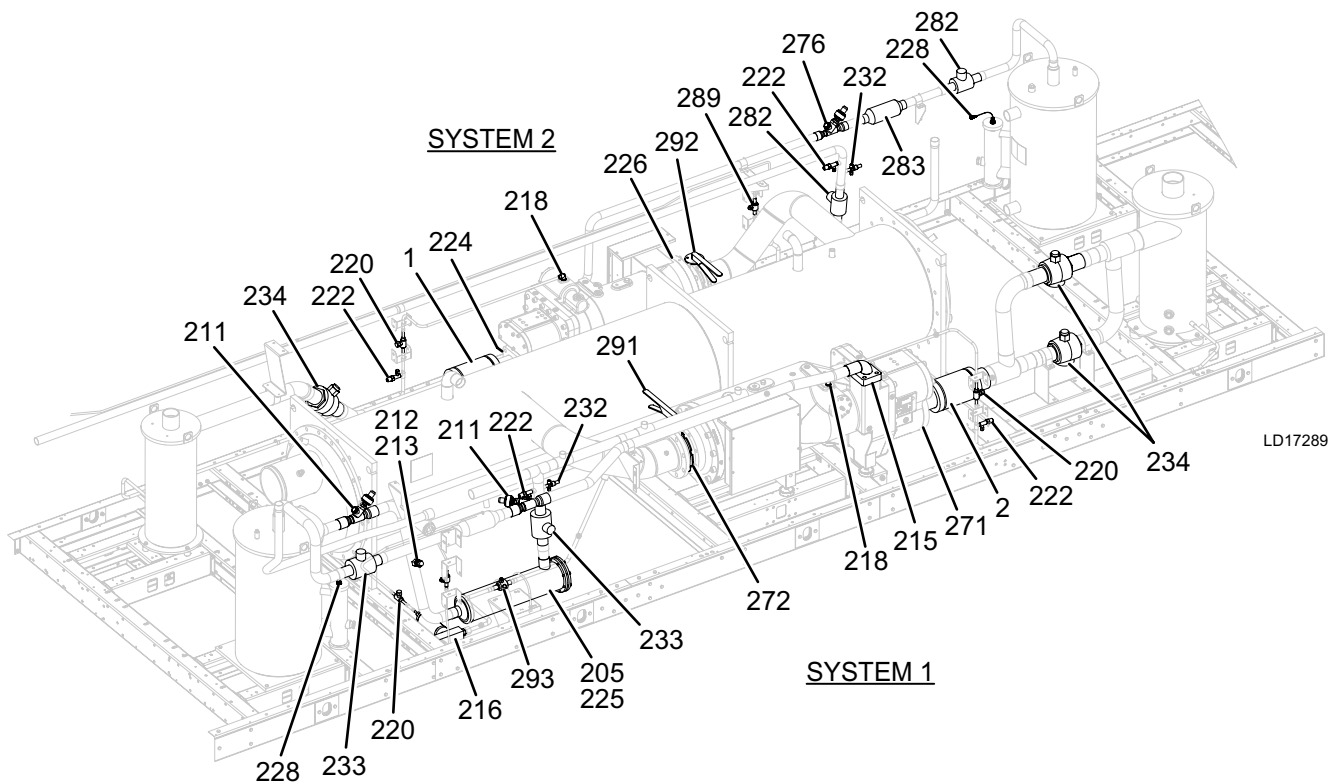
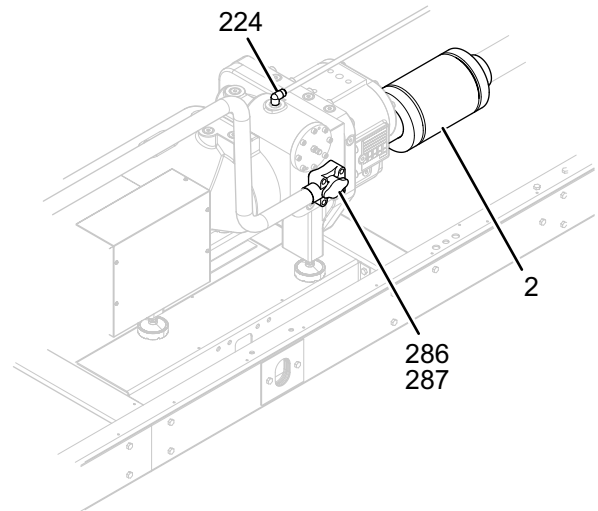
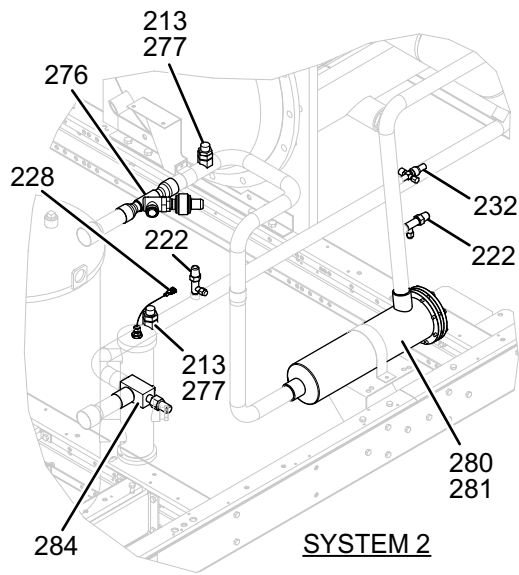
ITEM	PIN 35 =	DESCRIPTION	PART NUMBER	SAP NUMBER	QUANTITY	FIGURE
1	ALL	Muffler Straight Discharge	392-03546-000	862591	1	43
2	ALL	Muffler	375-58655-000	577037	1	43
205	ALL	Dehydrator Less Cores	026-46933-000	862505	1	43
211	ALL	Valve Expansion Electronic	025-45017-000	862504	2	43
212	ALL	Indicator Moist Liquid Body	026-46935-000	862506	2	43
213	ALL	Indicator Moist Liquid Cap	026-32800-000	740799	4	43
215	ALL	Economiser Weld Flange	392-07086-000	862604	1	43
216	ALL	Eductor Assembly	375-93265-000	636235	2	43
		Block, Oil Eductor	026-46625-000	741320	2	43
		Filter Drier 3/8 Orfs	026-37563-000	740969	2	43
		O-Ring Neo1 00.364Id .070Thk M	028-12961-012	618648	8	43
		O-Ring Neo1 00.924Id .116Thk M	028-12961-006	588821	2	43
		O-Ring Neo1 00.739Id .070Thk M	028-12961-015	618651	2	43
216	All	Eductor Assembly (Copper)	375-79597-000	549137	2	43
		Block, Oil Eductor	026-47323-000	994839	2	43
		Filter Drier 3/8 Orfs	026-37563-000	740969	2	43
		O-Ring Neo1 00.364Id .070Thk M	028-12961-012	618648	8	43
		O-Ring Neo1 00.924Id .116Thk M	028-12961-006	588821	2	43
		O-Ring Neo1 00.739Id .070Thk M	028-12961-015	618651	2	43
233	ALL	Valve, Ball 2-1/8 Ods Conn	022-09752-000	731278	2	43
234	ALL	Valve Shut Off Ball Valve	022-11325-000	444576	3	43
270	ALL	Fitting, 37 Deg. Flared Tube	023-25191-000	734138	2	43
271	ALL	Gasket Flange 3.625 Id 5.75Bc	028-15296-000	636248	1	43
272	ALL	Gasket Round Flange Ansi 300 #	028-15965-001	742176	1	43
276	ALL	Valve Expansion Electronic	025-44027-000	740403	2	43
277	ALL	Indicator Moist Liquid Body	026-32399-000	740784	2	43
280	ALL	Dehydrator Less Cores	026-16960-000	740681	1	43
281	ALL	Ctg Dehy 100 Percent Molecular	026-37540-000	740964	3	43
282	ALL	Valve, Ball 1-5/8 Ods Conn's	022-08883-000	731236	1	43
283	ALL	Check Valve 1-5/8" Cmv-26S	022-12037-000	577074	1	43
284	ALL	Valve	022-09779-000	731283	1	43
286	ALL	Valve Angle Compr Mueller	022-11358-000	731384	1	43
287	ALL	Plug Pipe 1/4 Npte Square	023-01195-000	711235	1	43
290	F, S	Valve, Ball 3/8" Ods Conn	022-11906-000	695896	2	43
291	F, S	Valve Butterfly Size 6	022-10641-006	116118	1	43
292	F, S	Valve Butterfly Size 5	022-10641-005	147048	1	43
293	F	Valve Ball 3/4 Ods	022-09580-000	48288	2	43

NOTE: Items with an * are NOT represented.

TABLE 38 - PIPING ASSEMBLY 0413 / 1443

ITEM	PIN 35 =	Description	PART NUMBER	SAP NUMBER	QUANTITY	FIGURE
1	ALL	Muffler Straight Discharge	392-03546-000	862591	1	44
2	ALL	Muffler Straight Discharge	375-58655-000	577037	1	44
205	ALL	Dehydrator Less Cores	026-46933-000	862505	1	44
211	ALL	Valve Expansion Electronic	025-45017-000	862504	2	44
212	ALL	Indicator Moist Liquid Body	026-46935-000	862506	2	44
213	ALL	Indicator Moist Liquid Cap	026-32800-000	740799	4	44
215	ALL	Economiser Weld Flange	392-07086-000	862604	1	44
216	ALL	Eductor Assembly	375-93265-000	636235	2	44
		Block, Oil Eductor	026-46625-000	741320	2	44
		Filter Drier 3/8 Orfs	026-37563-000	740969	2	44
		O-Ring Neo1 00.364Id .070Thk M	028-12961-012	618648	8	44
		O-Ring Neo1 00.924Id .116Thk M	028-12961-006	588821	2	44
		O-Ring Neo1 00.739Id .070Thk M	028-12961-015	618651	2	44
218	ALL	Fitting, 37 Deg. Flared Tube	023-18945-000	556321	4	44
220	ALL	Valve Ball 1/2 Od (C X C)	022-09172-000	731238	2	44
222	ALL	Valve, Charging Brass	022-09754-000	391983	6	44
224	ALL	Gasket Round 4" Flange Ansi	028-15965-000	685929	1	44
225	ALL	Cig Dehy 100 Percent Molecular	026-46952-000	862507	3	44
226	ALL	Gasket Round 6" Flange Ansi	028-15965-002	862508	1	44
228	ALL	Switch Liquid Level	025-43324-101	636214	2	44
232	ALL	Valve, Transducer 1/4 Mpt X	022-09503-000	731261	2	44
233	ALL	Valve, Ball 2-1/8 Ods Conn	022-09752-000	731278	2	44
234	ALL	Valve Shut Off Ball Valve	022-11325-000	444576	3	44
270	ALL	Fitting, 37 Deg. Flared Tube;	023-25191-000	734138	2	44
271	ALL	Gasket Flange 3.625 Id 5.75Bc	028-15296-000	636248	1	44
272	ALL	Gasket Round Flange Ansi 300 #	028-15965-001	742176	1	44
276	ALL	Valve Expansion Electronic	025-44027-000	740403	2	44
277	ALL	Indicator Moist Liquid Body	026-32399-000	740784	2	44
280	ALL	Dehydrator Less Cores	026-16960-000	740681	1	44
281	ALL	Ctg Dehy 100 Percent Molecular	026-37540-000	740964	3	44
282	ALL	Valve, Ball 1-5/8 Ods Conn's	022-08883-000	731236	1	44
283	ALL	Check Valve 1-5/8" Cmv-26S	022-12037-000	577074	1	44
284	ALL	Valve	022-09779-000	731283	1	44
286	ALL	Valve Angle Compr Mueller	022-11358-000	731384	1	44
287	ALL	Plug Pipe 1/4 Npte Square	023-01195-000	711235	1	44

NOTE: Items with an * are NOT represented.



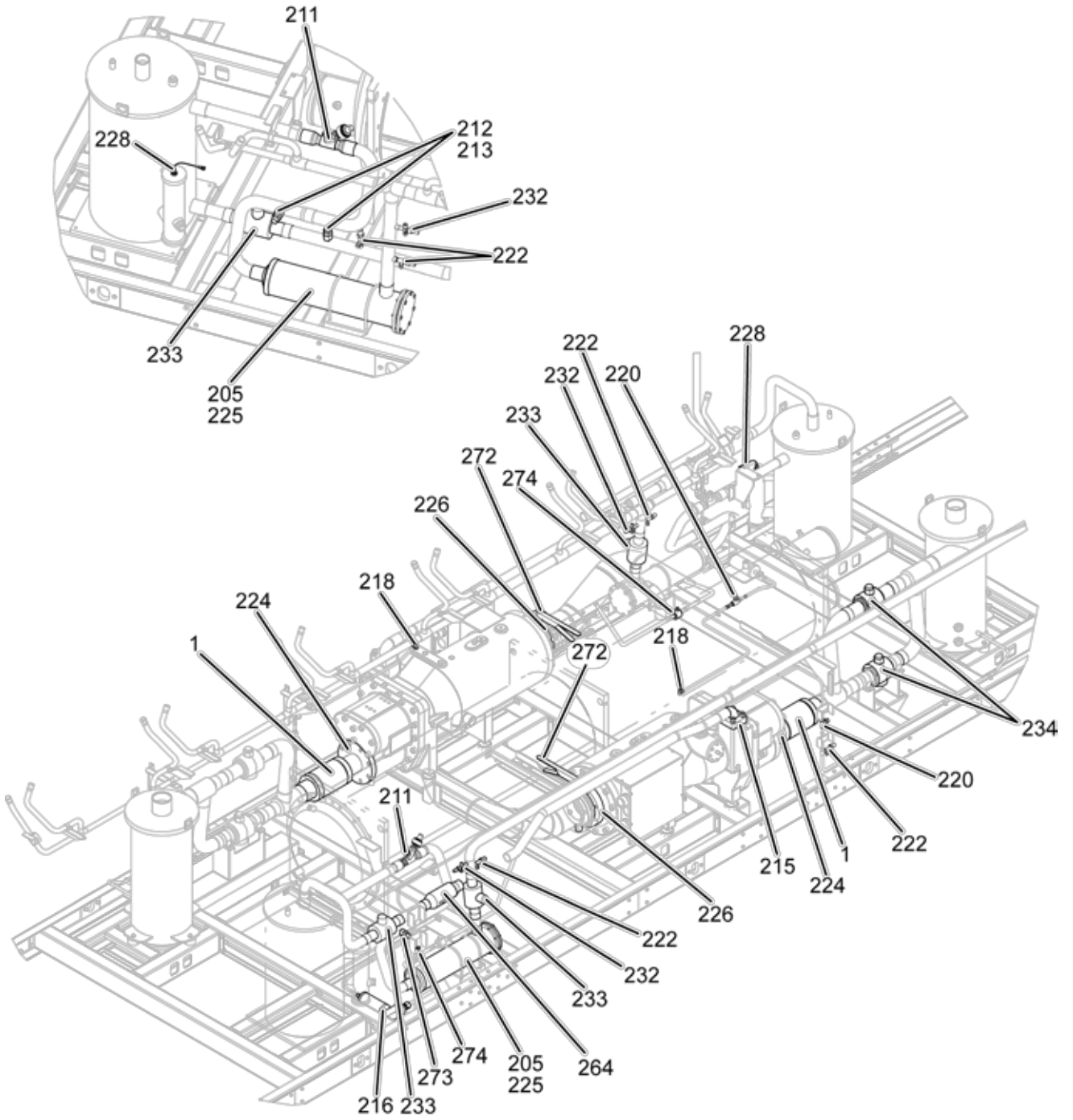
LD17289

FIGURE 44 - PIPING ASSEMBLY 0413 / 1443

TABLE 39 - PIPING ASSEMBLY 0443 / 1543

ITEM	PIN 35 =	DESCRIPTION	PART NUMBER	SAP NUMBER	QUANTITY	FIGURE
1	ALL	Muffler Straight Discharge	392-03546-000	862591	2	45
205	ALL	Dehydrator Less Cores	026-46933-000	862505	2	45
211	ALL	Valve Expansion Electronic	025-45017-000	862504	4	45
212	ALL	Indicator Moist Liquid Body	026-46935-000	862506	4	45
213	ALL	Indicator Moist Liquid Cap	026-32800-000	740799	4	45
215	ALL	Economiser Weld Flange	392-07086-000	862604	2	45
216	ALL	Eductor Assembly	375-93265-000	636235	2	45
		Block, Oil Eductor	026-46625-000	741320	2	45
		Filter Drier 3/8 Orfs	026-37563-000	740969	2	45
		O-Ring Neo1 00.364Id .070Thk M	028-12961-012	618648	8	45
		O-Ring Neo1 00.924Id .116Thk M	028-12961-006	588821	2	45
		O-Ring Neo1 00.739Id .070Thk M	028-12961-015	618651	2	45
218	ALL	Fitting, 37 Deg. Flared Tube	023-18945-000	556321	4	45
220	ALL	Valve Ball 1/2 Od (C X C)	022-09172-000	731238	2	45
222	ALL	Valve, Charging Brass	022-09754-000	391983	6	45
224	ALL	Gasket Round 4" Flange Ansi	028-15965-000	685929	2	45
225	ALL	Cig Dehy 100 Percent Molecular	026-46952-000	862507	6	45
226	ALL	Gasket Round 6" Flange Ansi	028-15965-002	862508	2	45
228	ALL	Switch Liquid Level	025-43324-101	636214	2	45
232	ALL	Valve, Transducer 1/4 Mpt X	022-09503-000	731261	2	45
233	ALL	Valve, Ball 2-1/8 Ods Conn	022-09752-000	731278	4	45
234	ALL	Valve Shut Off Ball Valve	022-11325-000	444576	4	45
264	ALL	Check Valve Magnetic	022-12249-000	862499	2	45
270	ALL	Fitting, 37 Deg. Flared Tube	023-25191-000	734138	2	*
272	F, S	Valve Butterfly Size 6	022-10641-006	116118	2	45

NOTE: Items with an * are NOT represented.



LD17359

FIGURE 45 - PIPING ASSEMBLY 0443 / 1543

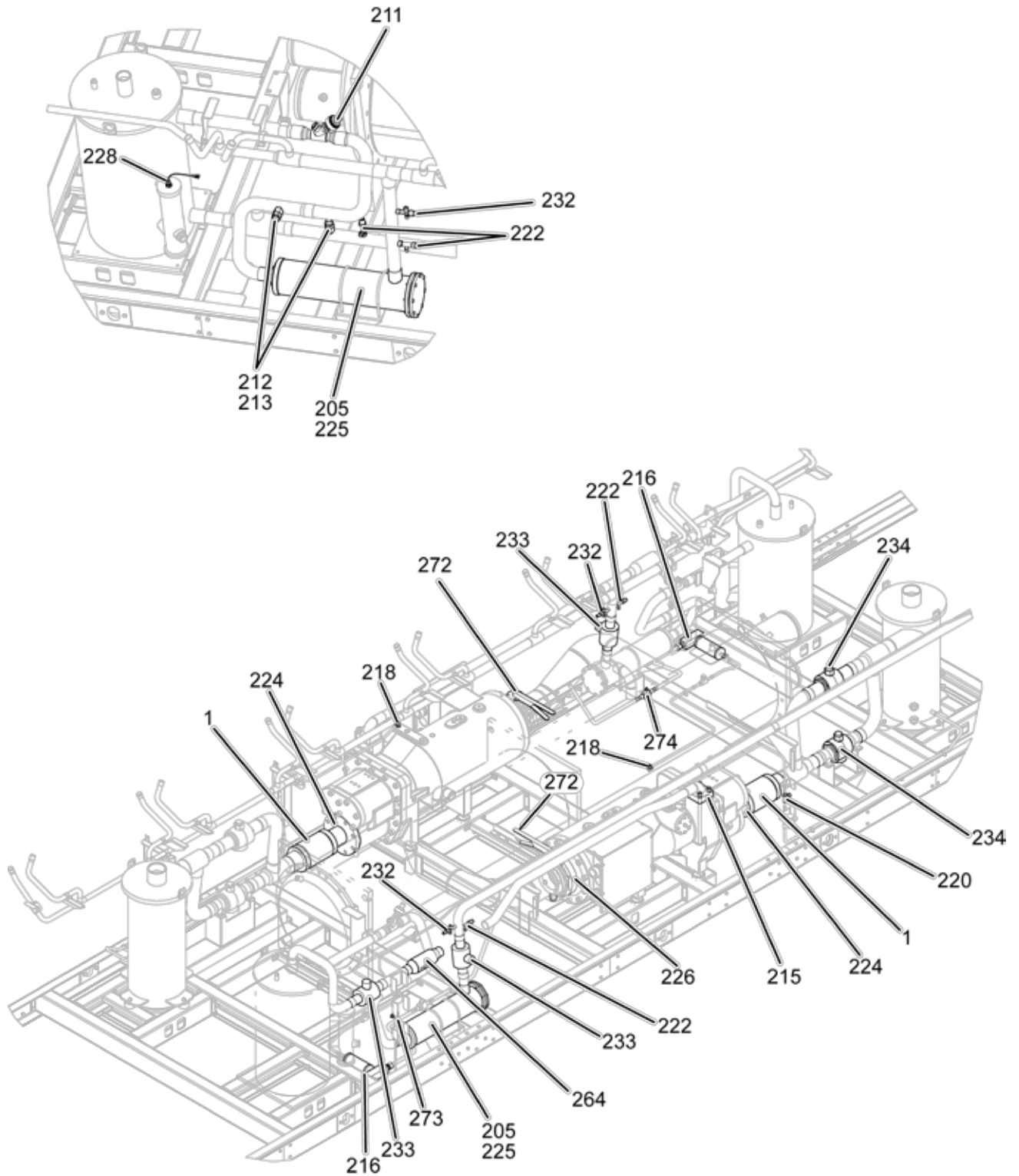
TABLE 40 - PIPING ASSEMBLY 0475 / 1665

ITEM	PIN 35 =	DESCRIPTION	PART NUMBER	SAP NUMBER	QUANTITY	FIGURE
1	ALL	Muffler Straight Discharge	392-03546-000	862591	2	46
4	ALL	Evap. Waterbox Drain Kit	392-07157-000	900408	1	46
205	ALL	Dehydrator Less Cores	026-46933-000	862505	2	46
211	ALL	Valve Expansion Electronic	025-45017-000	862504	4	46
212	ALL	Indicator Moist Liquid Body	026-46935-000	862506	4	46
213	ALL	Indicator Moist Liquid Cap	026-32800-000	740799	4	46
215	ALL	Economiser Weld Flange	392-07086-000	862604	2	46
216	ALL	Eductor Assembly	375-93265-000	636235	2	46
		Block, Oil Eductor	026-46625-000	741320	2	46
		Filter Drier 3/8 Orfs	026-37563-000	740969	2	46
		O-Ring Neo1 00.364ld .070Thk M	028-12961-012	618648	8	46
		O-Ring Neo1 00.924ld .116Thk M	028-12961-006	588821	2	46
		O-Ring Neo1 00.739ld .070Thk M	028-12961-015	618651	2	46
218	ALL	Fitting, 37 Deg. Flared Tube	023-18945-000	556321	4	46
220	ALL	Valve Ball 1/2 Od (C X C)	022-09172-000	731238	2	46
222	ALL	Valve, Charging Brass	022-09754-000	391983	6	46
224	ALL	Gasket Round 4" Flange Ansi	028-15965-000	685929	2	46
225	ALL	Cig Dehy 100 Percent Molecular	026-46952-000	862507	6	46
226	ALL	Gasket Round 6" Flange Ansi	028-15965-002	862508	2	46
228	ALL	Switch Liquid Level	025-43324-101	636214	2	46
232	ALL	Valve, Transducer 1/4 Mpt X	022-09503-000	731261	2	46
233	ALL	Valve, Ball 2-1/8 Ods Conn	022-09752-000	731278	4	46
234	ALL	Valve Shut Off Ball Valve	022-11325-000	444576	4	46
272	F, S	Valve Butterfly Size 6	022-10641-006	116118	2	46
273	F, S	Valve, Ball 3/8" Ods Conn	022-11906-000	695896	2	46
274	F	Valve Ball 3/4 Ods	022-09580-000	48288	2	46

TABLE 41 - PIPING ASSEMBLY 0483 / 1693

ITEM	PIN 35 =	DESCRIPTION	PART NUMBER	SAP NUMBER	QUANTITY	FIGURE
1	ALL	Muffler Straight Discharge	392-03546-000	862591	2	47
205	ALL	Dehydrator Less Cores	026-46933-000	862505	2	47
211	ALL	Valve Expansion Electronic	025-45017-000	862504	4	47
212	ALL	Indicator Moist Liquid Body	026-46935-000	862506	4	47
213	ALL	Indicator Moist Liquid Cap	026-32800-000	740799	4	47
215	ALL	Economiser Weld Flange	392-07086-000	862604	2	47
216	ALL	Eductor Assembly	375-93265-000	636235	2	47
218	ALL	Fitting, 37 Deg. Flared Tube	023-18945-000	556321	4	47
220	ALL	Valve Ball 1/2 Od (C X C)	022-09172-000	731238	2	47
222	ALL	Valve, Charging Brass	022-09754-000	391983	6	47
224	ALL	Gasket Round 4" Flange Ansi	028-15965-000	685929	2	47
225	ALL	Cig Dehy 100 Percent Molecular	026-46952-000	862507	6	47
226	ALL	Gasket Round 6" Flange Ansi	028-15965-002	862508	2	47
228	ALL	Switch Liquid Level	025-43324-101	636214	2	47
232	ALL	Valve, Transducer 1/4 Mpt X	022-09503-000	731261	2	47
233	ALL	Valve, Ball 2-1/8 Ods Conn	022-09752-000	731278	4	47
234	ALL	Valve Shut Off Ball Valve	022-11325-000	444576	4	47
240	ALL	Flow Washer Liquid Pip	092-07111-001	862586	2	47
264	ALL	Check Valve Magnetic 2 -1/8	022-12249-000	862499	2	47
268	ALL	Clamp Tube 3/4 Od	021-10977-000	729531	2	47
269	ALL	Nut Hex 1/4 -20Unc-2B	021-16151-000	115785	14	47
271	ALL	Tee Bf 4.125In Bf 3.125In Bf 3.125In Cu	023-25596-000	862503	4	47
274	F	Valve Ball 3/4 ODS	022-09580-000	48288	2	47

NOTE: Items with an * are NOT represented.

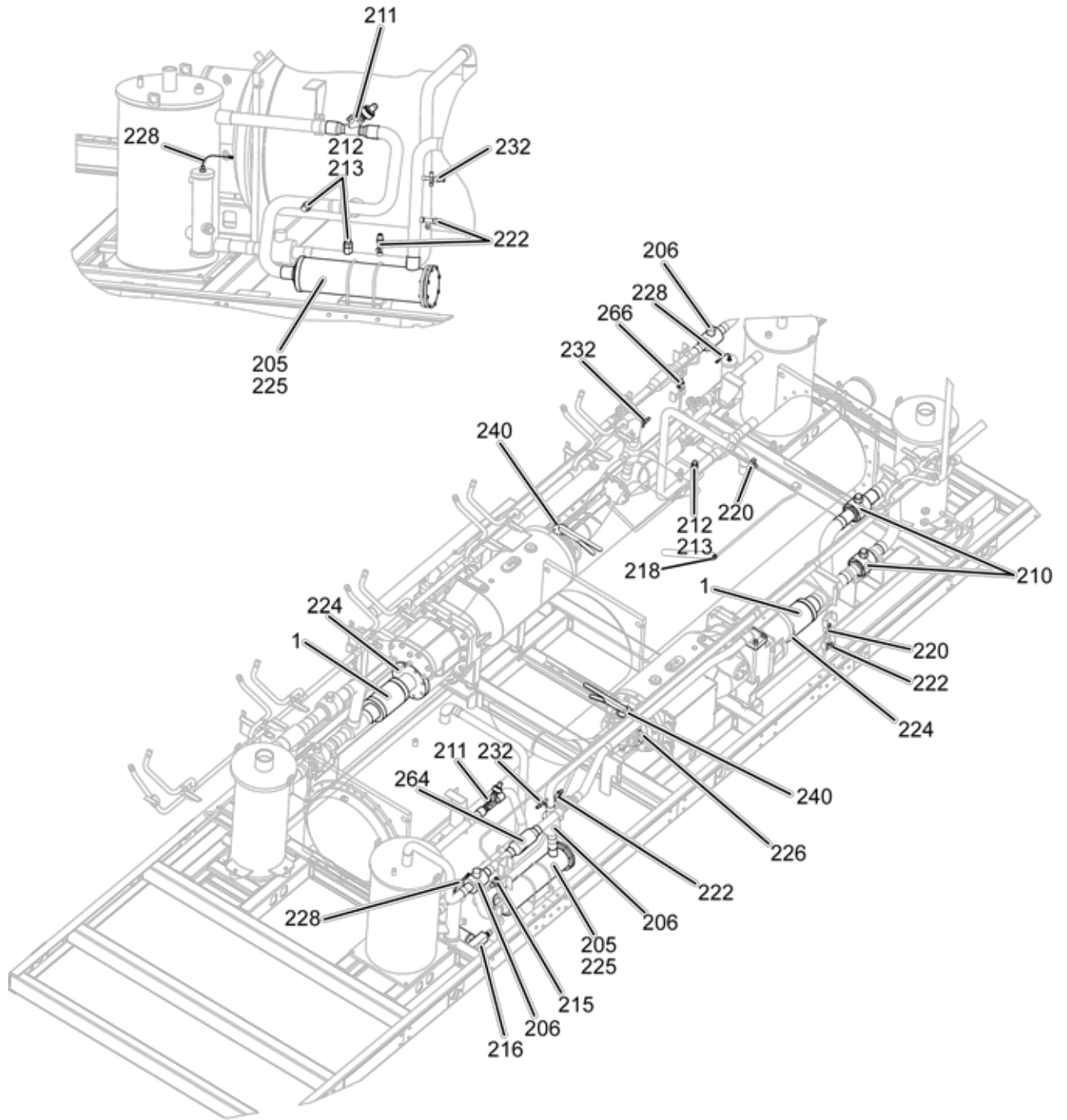


LD17361

FIGURE 47 - PIPING ASSEMBLY 0483 / 1693

TABLE 42 - PIPING ASSEMBLY 0500 / 1700

ITEM	PIN 35 =	DESCRIPTION	PART NUMBER	SAP NUMBER	QUANTITY	FIGURE
1	ALL	Muffler Straight Discharge	392-03546-000	862591	2	48
4	ALL	Evap. Waterbox Drain Kit	392-07157-000	900408	1	*
205	ALL	Dehydrator Less Cores	026-46933-000	862505	2	48
206	ALL	Valve, Ball 2-1/8 Ods Conn	022-09752-000	731278	4	48
210	ALL	Valve Shut Off Ball Valve	022-11325-000	444576	4	48
211	ALL	Valve Expansion Electronic	025-45017-000	862504	4	48
212	ALL	Indicator Moist Liquid Body	026-46935-000	862506	4	48
213	ALL	Indicator Moist Liquid Cap	026-32800-000	740799	4	48
214	ALL	Flow Washer Liquid Pip	092-07111-001	862586	2	48
215	F	Valve Ball 3/4 Ods	022-09580-000	48288	2	48
216	ALL	Eductor Assembly	375-93265-000	636235	2	48
218	ALL	Fitting, 37 Deg. Flared Tube	023-18945-000	556321	4	48
220	ALL	Valve Ball 1/2 Od (C X C)	022-09172-000	731238	2	48
222	ALL	Valve, Charging Brass	022-09754-000	391983	6	48
224	ALL	Gasket Round 4" Flange Ansi	028-15965-000	685929	2	48
225	ALL	Cig Dehy 100 Percent Molecular	026-46952-000	862507	6	48
226	ALL	Gasket Round 6" Flange Ansi	028-15965-002	862508	2	48
228	ALL	Switch Liquid Level	025-43324-101	636214	2	48
232	ALL	Valve, Transducer 1/4 Mpt X	022-09503-000	731261	2	48
264	ALL	Check Valve Magnetic 2-1/8	022-12249-000	862499	2	48
266	ALL	Valve, Ball 3/8 ODS	022-11906-000	695896	2	48



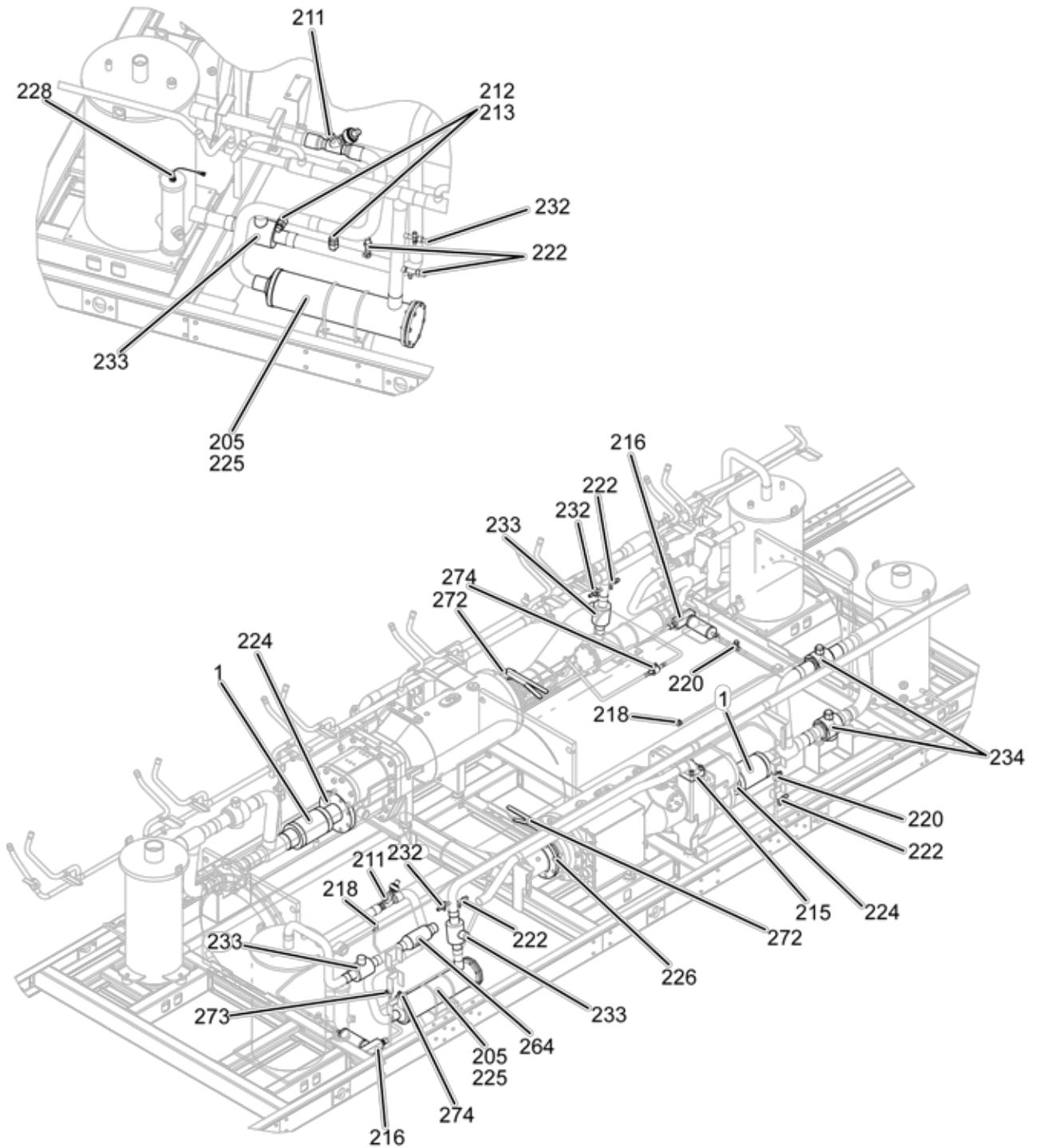
LD17362

FIGURE 48 - PIPING ASSEMBLY 0500 / 1700

TABLE 43 - PIPING ASSEMBLY 0523 / 1843

ITEM	PIN 35 =	DESCRIPTION	PART NUMBER	SAP NUMBER	QUANTITY	FIGURE
1	ALL	Muffler Straight Discharge	392-03546-000	862591	2	49
4	ALL	Evap. Waterbox Drain Kit	392-07157-000	900408	1	*
205	ALL	Dehydrator Less Cores	026-46933-000	862505	2	49
211	ALL	Valve Expansion Electronic	025-45017-000	862504	4	49
212	ALL	Indicator Moist Liquid Body	026-46935-000	862506	4	49
213	ALL	Indicator Moist Liquid Cap	026-32800-000	740799	4	49
215	ALL	Economiser Weld Flange	392-07086-000	862604	2	49
216	ALL	Eductor Assembly	375-93265-000	636235	2	49
218	ALL	Fitting, 37 Deg. Flared Tube	023-18945-000	556321	4	49
220	ALL	Valve Ball 1/2 Od (C X C)	022-09172-000	731238	2	49
222	ALL	Valve, Charging Brass	022-09754-000	391983	6	49
224	ALL	Gasket Round 4" Flange Ansi	028-15965-000	685929	2	49
225	ALL	Cig Dehy 100 Percent Molecular	026-46952-000	862507	6	49
226	ALL	Gasket Round 6" Flange Ansi	028-15965-002	862508	2	49
228	ALL	Switch Liquid Level	025-43324-101	636214	2	49
232	ALL	Valve, Transducer 1/4 Mpt X	022-09503-000	731261	2	49
233	ALL	Valve, Ball 2-1/8 Ods Conn	022-09752-000	731278	4	49
234	ALL	Valve Shut Off Ball Valve	022-11325-000	444576	4	49
264	ALL	Check Valve Magnetic 2-1/8	022-12249-000	862499	2	49
270	ALL	Fitting, 37 Deg. Flared Tube	023-25191-000	734138	2	*
272	F, S	Valve Butterfly Size 6	022-10641-006	116118	2	49
273	F, S	Valve, Ball 3/8" Ods Conn	022-11906-000	695896	2	49
274	F	Valve Ball 3/4 Ods	022-09580-000	48288	2	49

NOTE: Items with an * are NOT represented.



LD17363

FIGURE 49 - PIPING ASSEMBLY 0523 / 1843

TABLE 44 - GLYCOL LOOP COMPONENTS

ITEM	DESCRIPTION	PART NUMBER	FIGURE
10	Cap, Radiator	023-21927-000	50
11	Tube, Glycol	075-55649-000	50
12	Pump, Single Stage (60 Hz)	026-41611-000	50
	Pump, Single Stage (50 Hz)	026-41611-001	50
13	Coolant, Propylene Glycol, 5 Gallons	013-03344-000	50
14	Reducer	023-21941-000	50
15	Fitting, Hose Barb	023-21929-000	50
16	Tee	023-22526-000	50
17	Bushing	023-21934-000	50
18	Bushing	023-21935-000	50
19	Valve, Drain	023-21874-000	50
29	Coil Glycol	092-07109-000	50
30	Cover Glycol Coil	092-07096-034	50

NOTE: Items with an * are not represented.

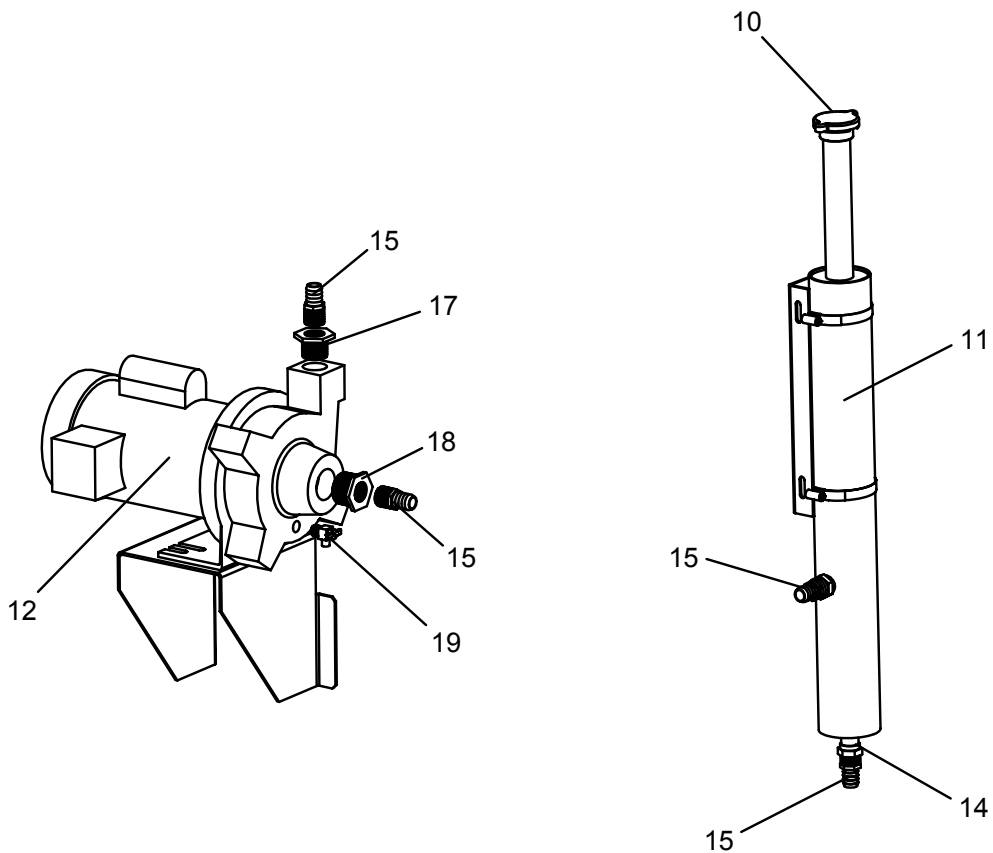


FIGURE 50 - GLYCOL LOOP COMPONENTS

TABLE 45 - STANDARD COMPRESSOR (PIN 12 & 13 = 40, 42, 50, PIN 20 = X, PIN 38 = S)

MODEL	DESCRIPTION	P/N	SAP	QUANTITY
0153/0543	COMPR SCREW CTS24SBAD400/200(C	364-50820-400	681339	2
0183/0643	COMPR SCREW CTS36SBAD400/200(A	364-50821-400	681338	1
	COMPR SCREW CTS24SBAD400/200(C	364-50820-400	681339	1
0213/0743	COMPR SCREW CTS36SBAD400/200(A	364-50821-400	681338	2
0233/0843	COMPR SCREW CTS45SBAD400/200(B	364-50822-400	693651	1
	COMPR SCREW CTS36SBAD400/200(A	364-50821-400	681338	1
0263/0943	COMPR SCREW CTS45SBAD400/200(B	364-50822-400	693651	2
0273/0963	COMPR SCREW CTS45SBAD400/200(B	364-50822-400	693651	2
0303/1093	COMPR SCREW CTS51SAAD400/200	364-51906-400	706468	1
	COMPR SCREW CTS45SBAD400/200(B	364-50822-400	693651	1
0323/1143	COMPR SCREW CTS51SAAD400/200	364-51906-400	706468	2
0333/1173	COMPR SCREW CTS51SAAD400/200	364-51906-400	706468	2
0343/1193	COMPR SCREW CTS51SAAD400/200	364-51906-400	706468	2
0373/1343	COMPR SCREW	364-53085-400	872547	1
	COMPR SCREW CTS45SBAD400/200(B	364-50822-400	693651	1
0413/1443	COMPR SCREW	364-53085-400	872547	1
	COMPR SCREW CTS51SAAD400/200	364-51906-400	706468	1
0443/1543	COMPR SCREW	364-53085-400	872547	2
0483/1693	COMPR SCREW	364-53085-400	872547	2
0523/1843	COMPR SCREW	364-53085-400	872547	2
0165/0565	COMPR SCREW CTS24SBAD400/200(C	364-50820-400	681339	2
0195/0665	COMPR SCREW CTS36SBAD400/200(A	364-50821-400	681338	1
	COMPR SCREW CTS24SBAD400/200(C	364-50820-400	681339	1
0215/0765	COMPR SCREW CTS36SBAD400/200(A	364-50821-400	681338	2
0245/0865	COMPR SCREW CTS45SBAD400/200(B	364-50822-400	693651	1
	COMPR SCREW CTS36SBAD400/200(A	364-50821-400	681338	1
0275/0965	COMPR SCREW CTS45SBAD400/200(B	364-50822-400	693651	2
0295/1015	COMPR SCREW CTS51SAAD400/200	364-51906-400	706468	1
	COMPR SCREW CTS45SBAD400/200(B	364-50822-400	693651	1
0305/1065	COMPR SCREW CTS51SAAD400/200	364-51906-400	706468	1
	COMPR SCREW CTS45SBAD400/200(B	364-50822-400	693651	1
0345/1215	COMPR SCREW CTS51SAAD400/200	364-51906-400	706468	2
0375/1315	COMPR SCREW	364-53085-400	872547	1
	COMPR SCREW CTS45SBAD400/200(B	364-50822-400	693651	1
0425/1515	COMPR SCREW	364-53085-400	872547	1
	COMPR SCREW CTS51SAAD400/200	364-51906-400	706468	1
0475/1665	COMPR SCREW	364-53085-400	872547	2
0178/0588	COMPR SCREW CTS24SBAD400/200(C	364-50820-400	681339	2
0198/0688	COMPR SCREW CTS36SBAD400/200(A	364-50821-400	681338	1
	COMPR SCREW CTS24SBAD400/200(C	364-50820-400	681339	1
0218/0788	COMPR SCREW CTS36SBAD400/200(A	364-50821-400	681338	2
0248/0888	COMPR SCREW CTS45SBAD400/200(B	364-50822-400	693651	1
	COMPR SCREW CTS36SBAD400/200(A	364-50821-400	681338	1
0278/0988	COMPR SCREW CTS45SBAD400/200(B	364-50822-400	693651	2

FIGURE 45 - STANDARD COMPRESSOR (PIN 12 & 13 = 40, 42, 50, PIN 20 = X, PIN 38 = S) (CONT'D)

MODEL	DESCRIPTION	P/N	SAP	QUANTITY
0308/1088	COMPR SCREW CTS51SAAD400/200	364-51906-400	706468	1
	COMPR SCREW CTS45SBAD400/200(B	364-50822-400	693651	1
0318/1188	COMPR SCREW CTS51SAAD400/200	364-51906-400	706468	1
	COMPR SCREW CTS45SBAD400/200(B	364-50822-400	693651	1
0368/1288	COMPR SCREW	364-53085-400	872547	1
	COMPR SCREW CTS45SBAD400/200(B	364-50822-400	693651	1
0398/1388	COMPR SCREW	364-53085-400	872547	1
	COMPR SCREW CTS51SAAD400/200	364-51906-400	706468	1
0428/1488	COMPR SCREW	364-53085-400	872547	1
	COMPR SCREW CTS51SAAD400/200	364-51906-400	706468	1
0200/0700	COMPR SCREW CTS36SBAD400/200(A	364-50821-400	681338	2
0500/1700	COMPR SCREW	364-53085-400	872547	2

TABLE 46 - OPTIMIZED COMPRESSOR (PIN 12 & 13 = 40, 42, 50, PIN 20 = X, PIN 38 = V)

MODEL	DESCRIPTION	P/N	SAP	QUANTITY
0153/0543	COMPR SCREW CTS24DBAD400/200C	364-50820-401	770875	2
0183/0643	COMPR SCREW CTS36DBAD400/200A	364-50821-401	770882	1
	COMPR SCREW CTS24DBAD400/200C	364-50820-401	770875	1
0213/0743	COMPR SCREW CTS36DBAD400/200A	364-50821-401	770882	2
0233/0843	COMPR SCREW CTS45DBAD400/200(B	364-50822-401	770889	1
	COMPR SCREW CTS36DBAD400/200A	364-50821-401	770882	1
0263/0943	COMPR SCREW CTS45DBAD400/200(B	364-50822-401	770889	2
0273/0963	COMPR SCREW CTS45DBAD400/200(B	364-50822-401	770889	2
0303/1093	COMPR. SCREW CTS51SBAD400/200	364-51906-401	770936	1
	COMPR SCREW CTS45DBAD400/200(B	364-50822-401	770889	1
0323/1143	COMPR. SCREW CTS51SBAD400/200	364-51906-401	770936	2
0333/1173	COMPR. SCREW CTS51SBAD400/200	364-51906-401	770936	2
0343/1193	COMPR. SCREW CTS51SBAD400/200	364-51906-401	770936	2
0373/1343	COMPR. SCREW	364-53085-401	872548	1
	COMPR SCREW CTS45DBAD400/200(B	364-50822-401	770889	1
0413/1443	COMPR. SCREW	364-53085-401	872548	1
	COMPR. SCREW CTS51SBAD400/200	364-51906-401	770936	1
0443/1543	COMPR. SCREW	364-53085-401	872548	2
0483/1693	COMPR. SCREW	364-53085-401	872548	2
0523/1843	COMPR. SCREW	364-53085-401	872548	2
0165/0565	COMPR SCREW CTS24DBAD400/200C	364-50820-401	770875	2
0195/0665	COMPR SCREW CTS36DBAD400/200A	364-50821-401	770882	1
	COMPR SCREW CTS24DBAD400/200C	364-50820-401	770875	1
0215/0765	COMPR SCREW CTS36DBAD400/200A	364-50821-401	770882	2
0245/0865	COMPR SCREW CTS45DBAD400/200(B	364-50822-401	770889	1
	COMPR SCREW CTS36DBAD400/200A	364-50821-401	770882	1
0275/0965	COMPR SCREW CTS45DBAD400/200(B	364-50822-401	770889	2
0295/1015	COMPR. SCREW CTS51SBAD400/200	364-51906-401	770936	1
	COMPR SCREW CTS45DBAD400/200(B	364-50822-401	770889	1

TABLE 46 - OPTIMIZED COMPRESSOR (PIN 12 & 13 = 40, 42, 50, PIN 20 = X, PIN 38 = V) (CONT'D)

MODEL	DESCRIPTION	P/N	SAP	QUANTITY
0305/1065	COMPR. SCREW CTS51SBAD400/200	364-51906-401	770936	1
	COMPR SCREW CTS45DBAD400/200(B	364-50822-401	770889	1
0345/1215	COMPR. SCREW CTS51SBAD400/200	364-51906-401	770936	2
0375/1315	COMPR. SCREW	364-53085-401	872548	1
	COMPR SCREW CTS45DBAD400/200(B	364-50822-401	770889	1
0425/1515	COMPR. SCREW	364-53085-401	872548	1
	COMPR. SCREW CTS51SBAD400/200	364-51906-401	770936	1
0475/1665	COMPR. SCREW	364-53085-401	872548	2
0178/0588	COMPR SCREW CTS24DBAD400/200C	364-50820-401	770875	2
0198/0688	COMPR SCREW CTS36DBAD400/200A	364-50821-401	770882	1
	COMPR SCREW CTS24DBAD400/200C	364-50820-401	770875	1
0218/0788	COMPR SCREW CTS36DBAD400/200A	364-50821-401	770882	2
0248/0888	COMPR SCREW CTS45DBAD400/200(B	364-50822-401	770889	1
	COMPR SCREW CTS36DBAD400/200A	364-50821-401	770882	1
0278/0988	COMPR SCREW CTS45DBAD400/200(B	364-50822-401	770889	2
0308/1088	COMPR. SCREW CTS51SBAD400/200	364-51906-401	770936	1
	COMPR SCREW CTS45DBAD400/200(B	364-50822-401	770889	1
0318/1188	COMPR. SCREW CTS51SBAD400/200	364-51906-401	770936	1
	COMPR SCREW CTS45DBAD400/200(B	364-50822-401	770889	1
0368/1288	COMPR. SCREW	364-53085-401	872548	1
	COMPR SCREW CTS45DBAD400/200(B	364-50822-401	770889	1
0398/1388	COMPR. SCREW	364-53085-401	872548	1
	COMPR. SCREW CTS51SBAD400/200	364-51906-401	770936	1
0428/1488	COMPR. SCREW	364-53085-401	872548	1
	COMPR. SCREW CTS51SBAD400/200	364-51906-401	770936	1
0200/0700	COMPR SCREW CTS36DBAD400/200A	364-50821-401	770882	2
0500/1700	COMPR. SCREW	364-53085-401	872548	2

TABLE 47 - STANDARD COMPRESSOR WITH HIGH AMBIENT KIT (PIN 12 & 13 = 40, 42, 50, PIN 20 = H, PIN 38 = S)

MODEL	DESCRIPTION	P/N	SAP	QUANTITY
0153/0543	COMPR SCREW CTS24LBAD400/200	364-50820-402	770876	2
0183/0643	COMPR SCREW CTS36LBAD400/200	364-50821-402	770883	1
	COMPR SCREW CTS24LBAD400/200	364-50820-402	770876	1
0213/0743	COMPR SCREW CTS36LBAD400/200	364-50821-402	770883	2
0233/0843	COMPR SCREW CTS45LBAD400/200	364-50822-402	770890	1
	COMPR SCREW CTS36LBAD400/200	364-50821-402	770883	1
0263/0943	COMPR SCREW CTS45LBAD400/200	364-50822-402	770890	2
0273/0963	COMPR SCREW CTS45LBAD400/200	364-50822-402	770890	2
0165/0565	COMPR SCREW CTS24LBAD400/200	364-50820-402	770876	2
0195/0665	COMPR SCREW CTS36LBAD400/200	364-50821-402	770883	1
	COMPR SCREW CTS24LBAD400/200	364-50820-402	770876	1
0215/0765	COMPR SCREW CTS36LBAD400/200	364-50821-402	770883	2
0245/0865	COMPR SCREW CTS45LBAD400/200	364-50822-402	770890	1
	COMPR SCREW CTS36LBAD400/200	364-50821-402	770883	1

TABLE 47 - STANDARD COMPRESSOR WITH HIGH AMBIENT KIT (PIN 12 & 13 = 40, 42, 50, PIN 20 = H, PIN 38 = S) (CONT'D)

MODEL	DESCRIPTION	P/N	SAP	QUANTITY
0275/0965	COMPR SCREW CTS45LBAD400/200	364-50822-402	770890	2
0178/0588	COMPR SCREW CTS24LBAD400/200	364-50820-402	770876	2
0198/0688	COMPR SCREW CTS36LBAD400/200	364-50821-402	770883	1
	COMPR SCREW CTS24LBAD400/200	364-50820-402	770876	1
0218/0788	COMPR SCREW CTS36LBAD400/200	364-50821-402	770883	2
0248/0888	COMPR SCREW CTS45LBAD400/200	364-50822-402	770890	1
	COMPR SCREW CTS36LBAD400/200	364-50821-402	770883	1
0278/0988	COMPR SCREW CTS45LBAD400/200	364-50822-402	770890	2
0200/0700	COMPR SCREW CTS36LBAD400/200	364-50821-402	770883	2

TABLE 48 - OPTIMIZED COMPRESSOR WITH HIGH AMBIENT KIT (PIN 12 & 13 = 40, 42, 50, PIN 20= H, PIN 38 = V)

MODEL	DESCRIPTION	P/N	SAP	QUANTITY
0153/0543	COMPR SCREW CTS24MBAD400/200	364-50820-403	770877	2
0183/0643	COMPR SCREW CTS36MBAD400/200	364-50821-403	770884	1
	COMPR SCREW CTS24MBAD400/200	364-50820-403	770877	1
0213/0743	COMPR SCREW CTS36MBAD400/200	364-50821-403	770884	1
0233/0843	COMPR SCREW CTS45MBAD400/200	364-50822-403	770891	1
	COMPR SCREW CTS36MBAD400/200	364-50821-403	770884	1
0263/0943	COMPR SCREW CTS45MBAD400/200	364-50822-403	770891	2
0273/0963	COMPR SCREW CTS45MBAD400/200	364-50822-403	770891	2
0165/0565	COMPR SCREW CTS24MBAD400/200	364-50820-403	770877	2
0195/0665	COMPR SCREW CTS36MBAD400/200	364-50821-403	770884	1
	COMPR SCREW CTS24MBAD400/200	364-50820-403	770877	1
0215/0765	COMPR SCREW CTS36MBAD400/200	364-50821-403	770884	1
0245/0865	COMPR SCREW CTS45MBAD400/200	364-50822-403	770891	1
	COMPR SCREW CTS36MBAD400/200	364-50821-403	770884	1
0275/0965	COMPR SCREW CTS45MBAD400/200	364-50822-403	770891	2
0178/0588	COMPR SCREW CTS24MBAD400/200	364-50820-403	770877	2
0198/0688	COMPR SCREW CTS36MBAD400/200	364-50821-403	770884	1
	COMPR SCREW CTS24MBAD400/200	364-50820-403	770877	1
0218/0788	COMPR SCREW CTS36MBAD400/200	364-50821-403	770884	1
0248/0888	COMPR SCREW CTS45MBAD400/200	364-50822-403	770891	1
	COMPR SCREW CTS36MBAD400/200	364-50821-403	770884	1
0278/0988	COMPR SCREW CTS45MBAD400/200	364-50822-403	770891	2
0200/0700	COMPR SCREW CTS36MBAD400/200	364-50821-403	770884	2

TABLE 49 - STANDARD COMPRESSOR (PIN 12 & 13 = 17, 28, 46, 58 PIN 20= X, PIN 38 = S)

MODEL	DESCRIPTION	P/N	SAP	QUANTITY
0153/0543	COMPR SCREW CTS24SAAD460/200(C	364-50820-460	770878	2
0183/0643	COMPR SCREW CTS36SAAD460/200(A	364-50821-460	770885	1
	COMPR SCREW CTS24SAAD460/200(C	364-50820-460	770878	1
0213/0743	COMPR SCREW CTS36SAAD460/200(A	364-50821-460	770885	2
0233/0843	COMPR SCREW CTS45SAAD460/200(B	364-50822-460	770892	1
	COMPR SCREW CTS36SAAD460/200(A	364-50821-460	770885	1
0263/0943	COMPR SCREW CTS45SAAD460/200(B	364-50822-460	770892	2
0273/0963	COMPR SCREW CTS45SAAD460/200(B	364-50822-460	770892	2
0303/1093	COMPR SCREW CTS51SAAD460/200	364-51906-460	770937	1
	COMPR SCREW CTS45SAAD460/200(B	364-50822-460	770892	1
0323/1143	COMPR SCREW CTS51SAAD460/200	364-51906-460	770937	2
0333/1173	COMPR SCREW CTS51SAAD460/200	364-51906-460	770937	2
0343/1193	COMPR SCREW CTS51SAAD460/200	364-51906-460	770937	2
0373/1343	COMPR SCREW	364-53085-460	872549	1
	COMPR SCREW CTS45SAAD460/200(B	364-50822-460	770892	1
0413/1443	COMPR SCREW	364-53085-460	872549	1
	COMPR SCREW CTS51SAAD460/200	364-51906-460	770937	1
0443/1543	COMPR SCREW	364-53085-460	872549	2
0483/1693	COMPR SCREW	364-53085-460	872549	2
0523/1843	COMPR SCREW	364-53085-460	872549	2
0165/0565	COMPR SCREW CTS24SAAD460/200(C	364-50820-460	770878	2
0195/0665	COMPR SCREW CTS36SAAD460/200(A	364-50821-460	770885	1
	COMPR SCREW CTS24SAAD460/200(C	364-50820-460	770878	1
0215/0765	COMPR SCREW CTS36SAAD460/200(A	364-50821-460	770885	2
0245/0865	COMPR SCREW CTS45SAAD460/200(B	364-50822-460	770892	1
	COMPR SCREW CTS36SAAD460/200(A	364-50821-460	770885	1
0275/0965	COMPR SCREW CTS45SAAD460/200(B	364-50822-460	770892	2
0295/1015	COMPR SCREW CTS51SAAD460/200	364-51906-460	770937	1
	COMPR SCREW CTS45SAAD460/200(B	364-50822-460	770892	1
0305/1065	COMPR SCREW CTS51SAAD460/200	364-51906-460	770937	1
	COMPR SCREW CTS45SAAD460/200(B	364-50822-460	770892	1
0345/1215	COMPR SCREW CTS51SAAD460/200	364-51906-460	770937	2
0375/1315	COMPR SCREW	364-53085-460	872549	1
	COMPR SCREW CTS45SAAD460/200(B	364-50822-460	770892	1
0425/1515	COMPR SCREW	364-53085-460	872549	1
	COMPR SCREW CTS51SAAD460/200	364-51906-460	770937	1
0475/1665	COMPR SCREW	364-53085-460	872549	2
0178/0588	COMPR SCREW CTS24SAAD460/200(C	364-50820-460	770878	2
0198/0688	COMPR SCREW CTS36SAAD460/200(A	364-50821-460	770885	1
	COMPR SCREW CTS24SAAD460/200(C	364-50820-460	770878	1
0218/0788	COMPR SCREW CTS36SAAD460/200(A	364-50821-460	770885	2
0248/0888	COMPR SCREW CTS45SAAD460/200(B	364-50822-460	770892	1
	COMPR SCREW CTS36SAAD460/200(A	364-50821-460	770885	1
0278/0988	COMPR SCREW CTS45SAAD460/200(B	364-50822-460	770892	2

TABLE 49 - STANDARD COMPRESSOR (PIN 12 & 13 = 17, 28, 46, 58 PIN 20= X, PIN 38 = S) (CONT'D)

MODEL	DESCRIPTION	P/N	SAP	QUANTITY
0308/1088	COMPR SCREW CTS51SAAD460/200	364-51906-460	770937	1
	COMPR SCREW CTS45SAAD460/200(B	364-50822-460	770892	1
0318/1188	COMPR SCREW CTS51SAAD460/200	364-51906-460	770937	1
	COMPR SCREW CTS45SAAD460/200(B	364-50822-460	770892	1
0368/1288	COMPR SCREW	364-53085-460	872549	1
	COMPR SCREW CTS45SAAD460/200(B	364-50822-460	770892	1
0398/1388	COMPR SCREW	364-53085-460	872549	1
	COMPR SCREW CTS51SAAD460/200	364-51906-460	770937	1
0428/1488	COMPR SCREW	364-53085-460	872549	1
	COMPR SCREW CTS51SAAD460/200	364-51906-460	770937	1
0200/0700	COMPR SCREW CTS36SAAD460/200(A	364-50821-460	770885	2
0500/1700	COMPR SCREW	364-53085-460	872549	2

TABLE 50 - OPTIMIZED COMPRESSOR (PIN 12 & 13 =17, 28, 46, 58, PIN 20 = X, PIN 38 = V)

MODEL	DESCRIPTION	P/N	SAP	QUANTITY
0153/0543	COMPR SCREW CTS24DAAD460/200C	364-50820-461	770879	2
0183/0643	COMPR SCREW CTS36DAAD460/200A	364-50821-461	770886	1
	COMPR SCREW CTS24DAAD460/200C	364-50820-461	770879	1
0213/0743	COMPR SCREW CTS36DAAD460/200A	364-50821-461	770886	2
0233/0843	COMPR SCREW CTS45DAAD460/200B	364-50822-461	770893	1
	COMPR SCREW CTS36DAAD460/200A	364-50821-461	770886	1
0263/0943	COMPR SCREW CTS45DAAD460/200B	364-50822-461	770893	2
0273/0963	COMPR SCREW CTS45DAAD460/200B	364-50822-461	770893	2
0303/1093	COMPR SCREW CTS51SBAD460/200	364-51906-461	770938	1
	COMPR SCREW CTS45DAAD460/200B	364-50822-461	770893	1
0323/1143	COMPR SCREW CTS51SBAD460/200	364-51906-461	770938	2
0333/1173	COMPR SCREW CTS51SBAD460/200	364-51906-461	770938	2
0343/1193	COMPR SCREW CTS51SBAD460/200	364-51906-461	770938	2
0373/1343	COMPR SCREW	364-53085-461	872550	1
	COMPR SCREW CTS45DAAD460/200B	364-50822-461	770893	1
0413/1443	COMPR SCREW	364-53085-461	872550	1
	COMPR SCREW CTS51SBAD460/200	364-51906-461	770938	1
0443/1543	COMPR SCREW	364-53085-461	872550	2
0483/1693	COMPR SCREW	364-53085-461	872550	2
0523/1843	COMPR SCREW	364-53085-461	872550	2
0165/0565	COMPR SCREW CTS24DAAD460/200C	364-50820-461	770879	2
0195/0665	COMPR SCREW CTS36DAAD460/200A	364-50821-461	770886	1
	COMPR SCREW CTS24DAAD460/200C	364-50820-461	770879	1
0215/0765	COMPR SCREW CTS36DAAD460/200A	364-50821-461	770886	2
0245/0865	COMPR SCREW CTS45DAAD460/200B	364-50822-461	770893	1
	COMPR SCREW CTS36DAAD460/200A	364-50821-461	770886	1
0275/0965	COMPR SCREW CTS45DAAD460/200B	364-50822-461	770893	2
0295/1015	COMPR SCREW CTS51SBAD460/200	364-51906-461	770938	1
	COMPR SCREW CTS45DAAD460/200B	364-50822-461	770893	1

TABLE 50 - OPTIMIZED COMPRESSOR (PIN 12 & 13 =17, 28, 46, 58, PIN 20 = X, PIN 38 = V) (CONT'D)

MODEL	DESCRIPTION	P/N	SAP	QUANTITY
0305/1065	COMPR SCREW CTS51SBAD460/200	364-51906-461	770938	1
	COMPR SCREW CTS45DAAD460/200B	364-50822-461	770893	1
0345/1215	COMPR SCREW CTS51SBAD460/200	364-51906-461	770938	2
0375/1315	COMPR SCREW	364-53085-461	872550	1
	COMPR SCREW CTS45DAAD460/200B	364-50822-461	770893	1
0425/1515	COMPR SCREW	364-53085-461	872550	1
	COMPR SCREW CTS51SBAD460/200	364-51906-461	770938	1
0475/1665	COMPR SCREW	364-53085-461	872550	2
0178/0588	COMPR SCREW CTS24DAAD460/200C	364-50820-461	770879	2
0198/0688	COMPR SCREW CTS36DAAD460/200A	364-50821-461	770886	1
	COMPR SCREW CTS24DAAD460/200C	364-50820-461	770879	1
0218/0788	COMPR SCREW CTS36DAAD460/200A	364-50821-461	770886	2
0248/0888	COMPR SCREW CTS45DAAD460/200B	364-50822-461	770893	1
	COMPR SCREW CTS36DAAD460/200A	364-50821-461	770886	1
0278/0988	COMPR SCREW CTS45DAAD460/200B	364-50822-461	770893	2
0308/1088	COMPR SCREW CTS51SBAD460/200	364-51906-461	770938	1
	COMPR SCREW CTS45DAAD460/200B	364-50822-461	770893	1
0318/1188	COMPR SCREW CTS51SBAD460/200	364-51906-461	770938	1
	COMPR SCREW CTS45DAAD460/200B	364-50822-461	770893	1
0368/1288	COMPR SCREW	364-53085-461	872550	1
	COMPR SCREW CTS45DAAD460/200B	364-50822-461	770893	1
0398/1388	COMPR SCREW	364-53085-461	872550	1
	COMPR SCREW CTS51SBAD460/200	364-51906-461	770938	1
0428/1488	COMPR SCREW	364-53085-461	872550	1
	COMPR SCREW CTS51SBAD460/200	364-51906-461	770938	1
0200/0700	COMPR SCREW CTS36DAAD460/200A	364-50821-461	770886	2
0500/1700	COMPR SCREW	364-53085-461	872550	2

TABLE 51 - COMPRESSOR COMPONENTS

ITEM	MODELS	DESCRIPTION	PART NUMBER	QUANTITY	FIGURE
2	0233/0843 thru 0345/1215	Coil - Solenoid Valve (Optimized Compressor)	025 35151 000	2	51
3	0233/0843 thru 0345/1215	Valve Solenoid (Optimized Compressor)	025 43901 000	2	51
3	ALL	Gasket, Compressor Junction Box	028 15268 000	1	51
13	ALL	Compound, Heat Conductive, 4 Oz	013 00898 000	A/R	51
14	ALL	Sensor, Temperature	025 32924 000	1	51
15	ALL	Transducer, 0-125 PSI	025 29583 001	1	51
16	ALL	Transducer 0-400 PSI, 5V Input	025 29139 001	1	51
18	ALL	Valve, Transducer	022 09503 000	1	51
22	ALL	O-Ring Neoprene	028 13540 000	1	51
25	ALL	Isolator, Compressor, Level Rubber	029 25868 000	4	51
31	ALL	Heater, Compressor, System 1	575 54455 202	1	51
31	ALL	Heater, Compressor, System 2	575 54455 203	1	51
33	ALL	Switch, HPCO	025 39956 001	2	51

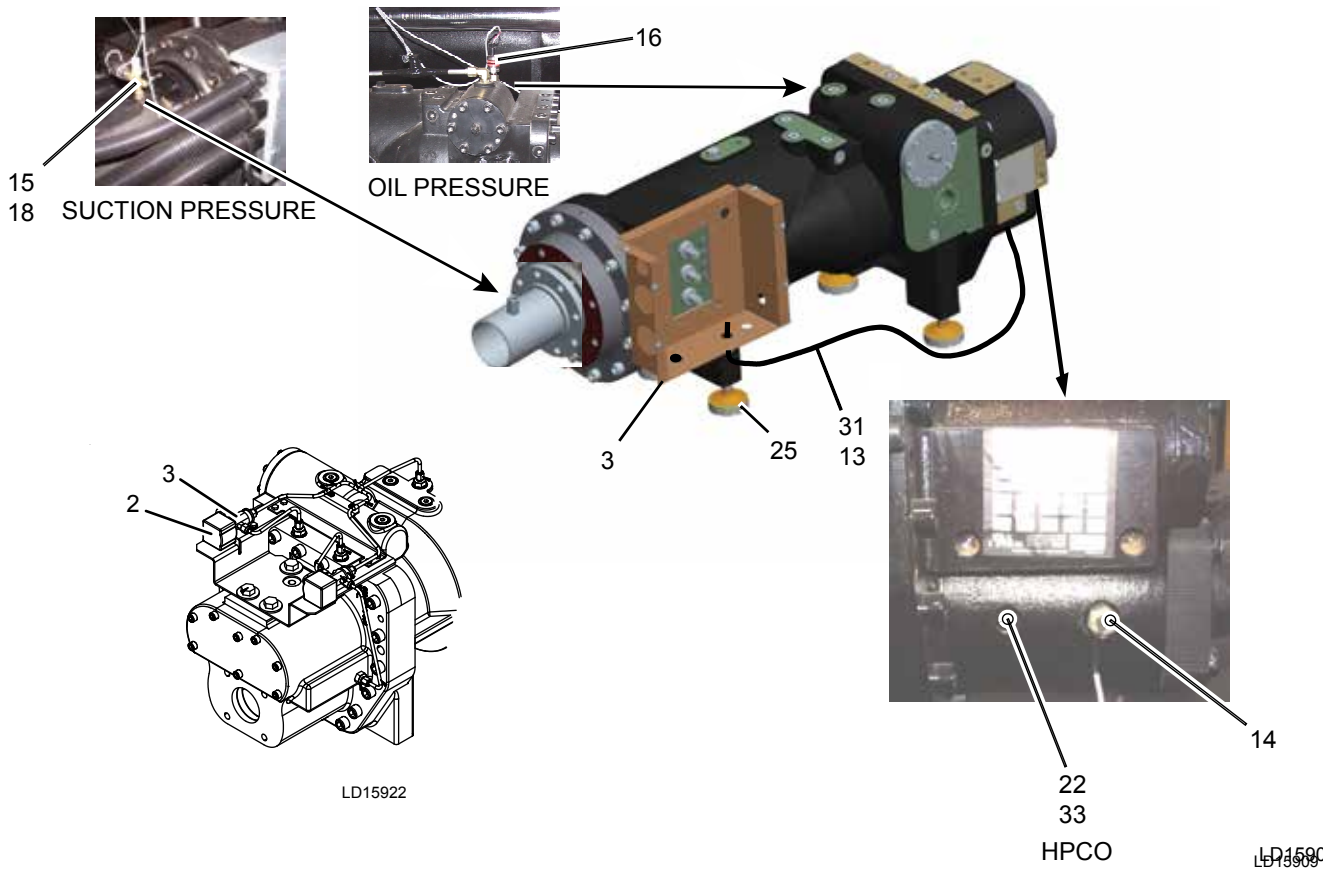


FIGURE 51 - COMPRESSOR COMPONENTS

TABLE 52 - ASME INSULATED COOLER

ITEM	PIN 43 =	MODEL	DESCRIPTION	ONE WATER PASS COOLER P/N	TWO WATER PASS COOLER P/N	THREE WATER PASS COOLER P/N	FIGURE
1	1	0153/0543, 0165/0565 0198/0688, 0233/0843, 0263/0943,	Evaporator 1 Pass FFE230	375-89864-010	375-89864-000	375-89864-020	52
				375-89864-040	375-89864-030	375-89864-050	
	3	0183/0643, 0195/0665, 0213/0743	Evaporator 1 Pass FFE204.	375-93930-010	375-93930-000	375-93930-020	
				375-93930-040	375-93930-030	310-07810-002	
	1	0273/0963	Evaporator 1 Pass FFE290	392-02454-010	392-02454-000	392-02454-020	
				392-02454-040	392-02454-030	310-07917-002	
	1	0178/0588, 0200/0700, 0215/0765, 0218/0788, 0245/0865, 0248/0888, 0303/1093, 0333/1173	Evaporator 1 Pass FFE278	375-93209-010	375-93209-000	375-93209-020	
	3			375-93209-040	375-93209-030	375-93209-050	
	1	0275/0965, 0278/0988, 0295/1015, 0308/1088, 0318/1188, 0323/1143, 0343/1193, 0345/1215	Evaporator 1 Pass FFE331	375-93189-010	375-93189-000	375-93189-020	
				3	375-93189-040	375-93189-030	
	1	0373/1343	Evaporator 1 Pass FFE438	392-10752-010	392-10752-000	392-10752-020	
				3	392-10752-040	392-10752-030	
	1	0413/1443	Evaporator 1 Pass FFE410	392-05072-010	392-05072-000	392-05072-020	
				3	392-05072-040	392-05072-030	
1	0443/1543, 0483/1693	Evaporator 1 Pass FFE439	392-10784-010	392-10784-000	392-10784-020		
			3	392-10784-040	392-10784-030	392-10784-050	
1	0475/1665, 0500/1700, 0523/1843	Evaporator 1 Pass 150# FFE500	392-03140-010	392-03140-000	392-03140-020		
			3	392-03140-040	392-03140-030	392-03140-050	
3	1	0153/0543, 0165/0565 0198/0688, 0233/0843, 0263/0943,	Waterbox 1 Pass FFE230	392-05008-000	375-93963-000	375-93963-000	52
				3	392-05025-101	392-05025-102	
	1	0183/0643, 0195/0665, 0213/0743	Waterbox 1 Pass FFE204	392-04998-000	375-93934-000	392-04993-000	
				3	392-05022-101	392-05022-105	
	1	0178/0588, 0200/0700, 0215/0765, 0218/0788, 0245/0865, 0248/0888, 0273/0963, 0303/1093, 0333/1173	Waterbox 1 Pass FFE278	392-05019-000	375-93963-000	392-05017-000	
				3	392-05028-101	392-05028-105	
	1	0275/0965, 0278/0988, 0295/1015, 308/1088, 0318/1188, 0323/1143,0343/1193, 0345/1215	Waterbox 1 Pass FFE331	392-03299-000	375-93190-000	392-03303-000	
	3	392-05026-101	392-05026-102	392-05026-103			
	1	0373/1343, 0443/1543, 0483/1693	Back Waterbox 1 Pass FFE439	392-10742-101	392-10742-105	392-10742-103	
	1	0413/1443	Front Waterbox 1 Pass FFE410	392-09281-101	392-09281-102	392-09281-103	
	1	0475/1665, 0500/1700, 0523/1843	Water Box 1 Pass FFE500	392-11174-000	392-03139-000	392-11170-000	

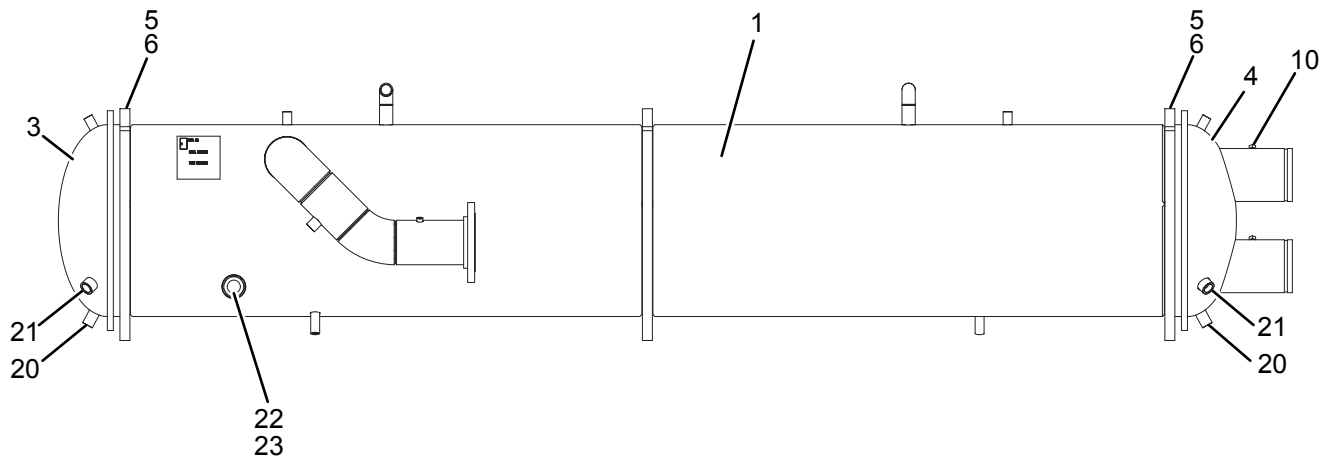
TABLE 52 - ASME INSULATED COOLER (CONT'D)

ITEM	PIN 43 =	MODEL	DESCRIPTION	ONE WATER PASS COOLER P/N	TWO WATER PASS COOLER P/N	THREE WATER PASS COOLER P/N	FIGURE
4	1	0153/0543, 0165/0565 0198/0688, 0233/0843, 0263/0943,	Waterbox Front FFE230	N/A	375-93959-000	392-05004-000	52
	3				392-05025-105	392-05025-103	
	1	0183/0643, 0195/0665, 0213/0743	Waterbox Front FFE204.	N/A	375-93933-000	392-04994-000	
	3				392-05022-102	392-05022-104	
	1	0178/0588, 0200/0700, 0215/0765, 0218/0788, 0245/0865, 0248/0888, 0273/0963, 0303/1093, 0333/1173	Waterbox Front FFE278	N/A	375-93977-000	392-05015-000	
	3				392-05028-102	392-05028-104	
	1	0275/0965, 0278/0988, 0295/1015, 308/1088, 0318/1188, 0323/1143,0343/1193, 0345/1215	Waterbox Front FFE331.	N/A	375-93191-000	392-03300-000	
	3				392-05026-105	392-05026-104	
	1	0373/1343, 0443/1543, 0483/1693	Water Box Front 2 Pass FFE439	N/A	392-10742-102	392-10742-104	
1	0413/1443	Front Waterbox 2 Pass FFE410	N/A	392-09281-102	392-09281-104		
1	0475/1665, 0500/1700, 0523/1843	Waterbox Front FFE500	N/A	392-03139-000	392-10742-104		
5	ALL	ALL	Gasket Channel 50 Durometer	028-09951-000**		52	
6	ALL	ALL	Heater 280 Watt 120 Volt	025-22691-000		52	
10	ALL	ALL	Well Thermo	026-32328-000		52	
13	ALL	ALL	Plug Pipe 1/4 Square Head	023-01972-000		*	
14	ALL	ALL	Plug Pipe 1/2 Square Head	023-03822-000		*	
20	ALL	ALL	Plug Pipe 3/4 Square Head	023-04053-000		52	
21	ALL	ALL	Plug Pipe 1 Square Head	023-04054-000		52	
22	ALL	ALL	O-Ring NEO1 02.090ID .118THK	028-12961-036		52	
23	ALL	ALL	Plug Sight 2-1/4 -12 UN-2A	023-17197-000		52	

** When ordering Gasket Material specify length required by replacing the -000 with either -025 for 25', -050 for 50', or -100 for 100'.

TABLE 53 - PED INSULATED COOLER

ITEM	PIN 43 =	MODEL	DESCRIPTION	ONE WATER PASS COOLER P/N	TWO WATER PASS COOLER P/N	THREE WATER PASS COOLER P/N	FIGURE
1	1	0153/0543, 0198/0688, 0233/0843, 0263/0943, 0165/0565	Evaporator 1 Pass FFE230	375-89864-910	375-89864-990	375-89864-920	52
	3			375-89864-940	375-89864-930	375-89864-950	
	1	0183/0643, 0195/0665, 0213/0743	Evaporator 1 Pass FFE204	375-93930-910	375-93930-990	375-93930-920	
	3			310-07810-002	375-93930-930	375-93930-950	
	1	0273/0963	Evaporator 1 Pass FFE290	392-02454-910	375-93930-990	392-02454-920	
	3			392-02454-940	392-02454-930	392-02454-950	
	1	0178/0588, 0200/0700, 0215/0765, 0218/0788, 0245/0865, 0248/0888, 0303/1093, 0333/1173,	Evaporator 1 Pass FFE278	375-93209-910	375-93209-990	375-93209-920	
	3			375-93209-940	375-93209-930	375-93209-950	
	1	0275/0965, 0295/1015, 0345/1215, 0278/0988, 0308/1088, 0318/1188, 0323/1143, 0343/1193	Evaporator 1 Pass FFE331	375-93189-910	375-93189-990	375-93189-920	
	3			375-93189-940	375-93189-930	375-93189-950	
	1	0373/1343	Evaporator 2 Pass FFE438	392-10752-910	392-10752-990	392-10752-920	
	3			392-10752-940	392-10752-930	392-10752-950	
	1	0413/1443	Evaporator 1 Pass FFE410	392-05072-910	392-05072-900	392-05072-920	
	3			392-05072-940	392-05072-930	392-05072-950	
1	0443/1543, 0483/1693	Evaporator 1 Pass FFE439	392-10784-910	392-10784-900	392-10784-920		
3			392-10784-940	392-10784-930	392-10784-950		
1	0475/1665, 0500/1700, 0523/1843	Evaporator 1 Pass FFE500	392-03140-910	392-03140-900	392-03140-920		
3			392-03140-940	392-03140-930	392-03140-950		
6	All	All	Heater 280 Watt 120 Volt	025-22691-000			52



LD17438

FIGURE 52 - INSULATED COOLER

TABLE 54 - LOUVERED ENCLOSURE KITS

ECONOMICAL LOW NOISE KIT				
MODEL	PIN 12 & 13 =	FULL KIT NUMBER	TOP SECTION PART NUMBER	BOTTOM SECTION PART NUMBER
0153/0543	40, 42, 46, 50	375-93248-000	375-93248-001	375-93248-002
	17, 28, 58	392-11612-000	375-93248-001	392-11612-002
0165/0565, 0183/0643	40, 42, 46, 50	375-93248-010	375-93248-011	375-93248-012
	17, 28, 58	392-11612-010	375-93248-011	392-11612-012
0178/0588, 0195/0665, 0213/0743, 0215/0765, 0233/0843	40, 42, 46, 50	375-93248-020	375-93248-021	375-93248-022
	17, 28, 58	392-11612-020	375-93248-021	392-11612-022
0198/0688, 0218/0788, 0245/0865, 0263/0943, 0273/0963, 0275/0965	40, 42, 46, 50	375-93248-030	375-93248-031	375-93248-032
	17, 28, 58	392-11612-030	375-93248-031	392-11612-032
0248/0888, 0278/0988, 0295/1015, 0303/1093, 0323/1143,	40, 42, 46, 50	375-93248-040	375-93248-041	375-93248-042
	17, 28, 58	392-11612-040	375-93248-041	392-11612-042
0305/1065, 0308/1088, 0333/1173, 0343/1193	40, 42, 46, 50	392-03481-000	392-03481-001	392-03481-002
	17, 28, 58	392-11595-000	392-03481-001	392-11595-002
0373/1343, 0375/1315, 0413/1443, 0500/1700	40, 42, 46, 50	392-13673-010	392-13673-011	392-13673-012
	17, 28, 58	392-13694-010	392-13673-011	392-13694-012
0398/1388, 0425/1515, 0443/1543	40, 42, 46, 50	392-13673-030	392-13673-031	392-13673-032
	17, 28, 58	392-13694-030	392-13673-031	392-13694-032
0428/1488, 0475/1665, 0483/1693, 0523/1843	40, 42, 46, 50	392-13673-040	392-13673-041	392-13673-042
	17, 28, 58	392-13694-040	392-13673-041	392-13694-042
0318/1188, 0345/1215	40, 42, 46, 50	375-93248-060	375-93248-061	375-93248-062
	17, 28, 58	392-11612-060	375-93248-061	392-11612-062
0368/1288	40, 42, 46, 50	392-13673-020	392-13673-021	392-13673-022
	17, 28, 58	392-13694-020	392-13673-021	392-13694-022
0200/0700	40, 42, 46, 50	392-12553-000	392-12553-001	392-12553-002
	17, 28, 58	392-12557-000	392-12553-001	392-12557-002
LOW NOISE LEVEL 1 KITS				
MODEL	PIN 12 & 13 =	FULL KIT NUMBER	TOP SECTION PART NUMBER	BOTTOM SECTION PART NUMBER
0153/0543	40, 42, 46, 50	392-02051-000	392-02051-001	392-02051-002
	17, 28, 58	392-11594-000	392-02051-001	392-11594-002
0165/0565, 0183/0643	40, 42, 46, 50	392-02039-010	392-02039-011	392-02039-012
	17, 28, 58	392-11590-010	392-02039-011	392-11590-012
0195/0665, 0213/0743, 0233/0843	40, 42, 46, 50	392-02039-020	392-02039-021	392-02039-022
	17, 28, 58	392-11590-020	392-02039-021	392-11590-022
0198/0688, 0263/0943	40, 42, 46, 50	392-02039-030	392-02039-031	392-02039-032
	17, 28, 58	392-11590-030	392-02039-031	392-11590-032
0273/0963, 0275/0965	40, 42, 46, 50	392-02045-030	392-02045-031	392-02045-032
	17, 28, 58	392-11592-030	392-02045-031	392-11592-032
0303/1093	40, 42, 46, 50	392-04500-040	392-04500-041	392-04500-042
	17, 28, 58	392-11598-040	392-04500-041	392-11598-042
0295/1015, 0323/1143	40, 42, 46, 50	392-07650-040	392-07650-041	392-07650-042
	17, 28, 58	392-11601-040	392-07650-041	392-11601-042

TABLE 54 - LOUVERED ENCLOSURE KITS (CONT'D)

LOW NOISE LEVEL 1 KITS				
MODEL	PIN 12 & 13 =	FULL KIT NUMBER*	TOP SECTION PART NUMBER	BOTTOM SECTION PART NUMBER
0333/1173	40, 42, 46, 50	392-04506-050	392-04506-051	392-04506-052
	17, 28, 58	392-11600-050	392-04506-051	392-11600-052
0343/1193	40, 42, 46, 50	392-03490-000	392-03490-001	392-03490-002
	17, 28, 58	392-11596-000	392-03490-101	392-11596-002
0373/1343, 0375/1315, 0413/1443,0500/1700	40, 42, 46, 50	392-13698-010	392-13698-011	392-13698-012
	17, 28, 58	392-13707-010	392-13698-011	392-13707-012
0398/1388, 0425/1515, 0443/1543	40, 42, 46, 50	392-13698-030	392-13698-011	392-13698-012
	17, 28, 58	392-13707-030	392-13698-031	392-13707-032
0428/1488, 0475/1665, 0483/1693, 0523/1843	40, 42, 46, 50	392-13698-040	392-13698-041	392-13698-042
	17, 28, 58	392-13707-040	392-13698-041	392-13707-042
0178/0588, 0215/0765	40, 42, 46, 50	392-02042-020	392-02042-021	392-02042-022
	17, 28, 58	392-11591-020	392-02042-021	392-11591-022
0245/0865	40, 42, 46, 50	392-03672-030	392-03672-031	392-03672-032
	17, 28, 58	392-11597-030	392-03672-031	392-11597-032
0305/1065	40, 42, 46, 50	392-07651-050	392-07651-051	392-07651-052
	17, 28, 58	392-11602-050	392-07651-051	392-11602-052
0318/1188, 0345/1215	40, 42, 46, 50	392-07653-060	392-07653-061	392-07653-062
	17, 28, 58	392-11605-060	392-07653-061	392-11605-062
0218/0788	40, 42, 46, 50	392-02042-030	392-02042-031	392-02042-032
	17, 28, 58	392-11591-030	392-02042-031	392-11591-032
0248/0888	40, 42, 46, 50	392-09020-040	392-09020-041	392-09020-042
	17, 28, 58	392-11614-040	392-09020-041	392-11614-042
0278/0988	40, 42, 46, 50	392-02048-040	392-02048-041	392-02048-042
	17, 28, 58	392-11593-040	392-02048-041	392-11593-042
0308/1088	40, 42, 46, 50	392-04503-050	392-04503-051	392-04503-052
	17, 28, 58	392-11599-050	392-04503-051	392-11599-052
0368/1288	40, 42, 46, 50	392-13698-020	392-13698-021	392-13698-022
	17, 28, 58	392-13707-020	392-13698-021	392-13707-022
0200/0700	40, 42, 46, 50	392-12554-000	392-12554-001	392-12554-002
	17, 28, 58	392-12558-000	392-12554-001	392-12558-002

*The full kit contains all parts included in the top and bottom sections.

TABLE 54 - LOUVERED ENCLOSURE KITS (CONT'D)

LOW NOISE LEVEL 2 KITS				
MODEL	PIN 12 & 13 =	FULL KIT NUMBER	TOP SECTION PART NUMBER	BOTTOM SECTION PART NUMBER
0153/0543	40, 42, 46, 50	375-93252-000	375-93252-001	375-93252-002
	17, 28, 58	392-11613-000	375-93252-001	392-11613-002
0165/0565, 0183/0643	40, 42, 46, 50	375-93252-010	375-93252-011	375-93252-012
	17, 28, 58	392-11613-010	375-93252-011	392-11613-012
0178/0588, 0195/0665, 0213/0743, 0215/0765,	40, 42, 46, 50	392-02036-020	392-02036-021	392-02036-022
	17, 28, 58	392-11587-020	392-02036-021	392-11587-022
0233/0843	40, 42, 46, 50	375-93252-020	375-93252-021	375-93252-022
	17, 28, 58	392-11613-020	375-93252-021	392-11613-022
0198/0688, 0263/0943	40, 42, 46, 50	392-02038-030	392-02038-031	392-02038-032
	17, 28, 58	392-11589-030	392-02038-031	392-11589-032
0273/0963, 0275/0965	40, 42, 46, 50	375-93252-030	375-93252-031	375-93252-032
	17, 28, 58	392-11613-030	375-93252-031	392-11613-032
0305/1065, 0333/1173	40, 42, 46, 50	392-07883-050	392-07883-051	392-07883-052
	17, 28, 58	392-11606-050	392-07883-051	392-11606-052
0308/1088, 0343/1193	40, 42, 46, 50	392-07885-050	392-07885-051	392-07885-052
	17, 28, 58	392-11607-050	392-07885-051	392-11607-052
0245/0865	40, 42, 46, 50	392-02037-030	392-02037-031	392-02037-032
	17, 28, 58	392-11588-030	392-02037-031	392-11588-032
0295/1015	40, 42, 46, 50	392-07890-040	392-07890-041	392-07890-042
	17, 28, 58	392-11610-040	392-07890-041	392-11610-042
0345/1215	40, 42, 46, 50	392-09015-060	392-09015-061	392-09015-062
	17, 28, 58	392-11611-060	392-09015-061	392-11611-062
0248/0888	40, 42, 46, 50	392-07888-030	392-07888-031	392-07888-032
	17, 28, 58	392-11609-030	392-07888-031	392-11609-032
0278/0988	40, 42, 46, 50	392-07896-040	392-07896-041	392-07896-042
	17, 28, 58	392-11608-040	392-07896-041	392-11608-042
0200/0700	40, 42, 46, 50	392-12555-000	392-12555-001	392-12555-002
	17, 28, 58	392-12559-000	392-12555-001	392-12559-002

*The full kit contains all parts included in the top and bottom sections.

TABLE 55 - LOUVERED AND WIRE/LOUVERED ENCLOSURE KIT COMPONENTS - TOP

ITEM	MODEL	DESCRIPTION	PART NUMBER	SAP	QUANTITY	FIGURE
100	ALL	Panel Enclosure	075-93275-001	668145	2	53, 54
101	ALL	Panel Enclosure	075-93275-004	677285	1	53, 54
102	0153/0543, 0200/0700	Panel Enclosure	075-93275-002	677287	4	54
	0165/0565, 0183/0643				6	
	0178/0588, 0195/0665, 0213/0743, 0215/0765, 0233/0843				8	
	0198/0688, 0218/0788, 0245/0865, 0263/0943, 0273/0963, 0275/0965				10	
	0248/0888, 0278/0988, 0295/1015, 0303/1093, 0323/1143				12	
	0305/1065, 0308/1088, 0333/1173, 0343/1193, 0368/1288				14	
	0318/1188, 0345/1215, 0373/1343 - 0425/1515, 0443/1543, 0500/1700				16	
	0428/1488, 0475/1665, 0483/1693, 0523/1843				18	
103	0153/0543 - 0345/1215, 0373/1343, 0375/1315, 0413/1443, 0500/1700	Panel Enclosure	075-93275-003	677288	1	53, 54
	0368/1288, 0398/1388, 0425/1515 - 0483/1693, 0523/1843				3	54
104	0153/0543 - 0345/1215, 0373/1343, 0375/1315, 0413/1443, 0500/1700	Panel Enclosure	075-93275-006	677290	1	53, 54
	0368/1288, 0398/1388, 0425/1515 - 0483/1693, 0523/1843		075-93275-005	677289	1	54
			075-93275-005	677289	3	
105	0153/0543 - 0345/1215	Panel Enclosure	075-93275-005	677289	1	53, 54
109	0153/0543 - 0345/1215	Panel Cover Wiring Tray	075-79567-001	671311	1	54
	0368/1288				4	
	0373/1343 - 0523/1843				6	
110	0153/0543 - 0345/1215	Panel Cover Wiring Tray	075-79568-001	671312	1	53, 54
	0368/1288, 0373/1343, 0375/1315, 0398/1388, 0413/1443, 0425/1515, 0443/1543, 0500/1700		075-79570-003	677261	1	54
			0428/1488, 0475/1665, 0483/1693, 0523/1843	075-79570-003	677261	

TABLE 55 - LOUVERED AND WIRE/LOUVERED ENCLOSURE KIT COMPONENTS - TOP (CONT'D)

ITEM	MODEL	DESCRIPTION	PART NUMBER	SAP	QUANTITY	FIGURE
111	0165/0565 - 0195/0665, 0213/0743, 0215/0765, 0233/0843	Panel Cover Wiring Tray	075-79569-001	671313	2	54
	0198/0688, 0218/0788, 0245/0865 - 0308/1088, 0323/1143 - 0343/1193		075-79569-001	671313	4	
	0368/1288, 0373/1343, 0375/1315, 0398/1388, 0413/1443, 0425/1515, 0443/1543, 0500/1700,		075-79570-004	671414	1	
	0318/1188, 0345/1215		075-79569-001	671313	6	
	0428/1488, 0475/1665, 0483/1693, 0523/1843		075-79570-004	671414	2	
112	0305/1065, 0308/1088, 0333/1173, 0343/1193	Panel Cover Wiring Tray	075-79570-020	703275	2	54
	0368/1288 - 0523/1843		075-79568-034	946852	1	
113	0153/0543, 0178/0588, 0195/0665, 0200/0700 - 0215/0765, 0233/0843, 0248/0888, 0278/0988 - 0345/1215	Panel Cover Wiring Tray	075-79570-003	677261	1	53, 54
	0165/0565, 0183/0643, 0198/0688, 0218/0788, 0245/0865, 0263/0943, 0273/0963, 0275/0965		075-79570-001	671315	1	54
	0368/1288 - 0523/1843		075-79568-035	946853	1	
114	0153/0543 - 0345/1215	Panel Cover Wiring Tray	075-79567-002	671316	1	53, 54
	0368/1288, 0398/1388, 0425/1515, 0443/1543		075-79570-035	988796	2	54
	0428/1488, 0475/1665, 0483/1693, 0523/1843		075-79570-001	671315	1	
115	0165/0565 - 0198/0688, 0213/0743 - 0345/1215, 0428/1488, 0475/1665, 0483/1693, 0523/1843	Panel Cover Wiring Tray	075-79568-002	671317	1	54
	0368/1288		075-79570-020	703275	2	
116	0153/0543, 0200/0700	Panel Cover Wiring Tray	075-79568-002	671317	1	53, 54
	0305/1065, 0308/1088, 0333/1173, 0343/1193		075-79570-004	671414	1	54
117	0153/0543, 0178/0588, 0195/0665, 0200/0700, 0213/0743, 0215/0765, 0233/0843, 0248/0888, 0278/0988, 0295/1015, 0303/1093, 0318/1188, 0323/1143, 0345/1215	Panel Cover Wiring Tray	075-79570-004	671414	1	53, 54
	0165/0565, 0183/0643, 0198/0688, 0218/0788, 0245/0865, 0263/0943, 0273/0963, 0275/0965		075-79570-002	671318	1	54
118	0200/0700	Panel Enclosure	075-93275-036	698144	2	53
119	0200/0700	Panel Cover Wiring Tray	075-94088-001	697749	2	53

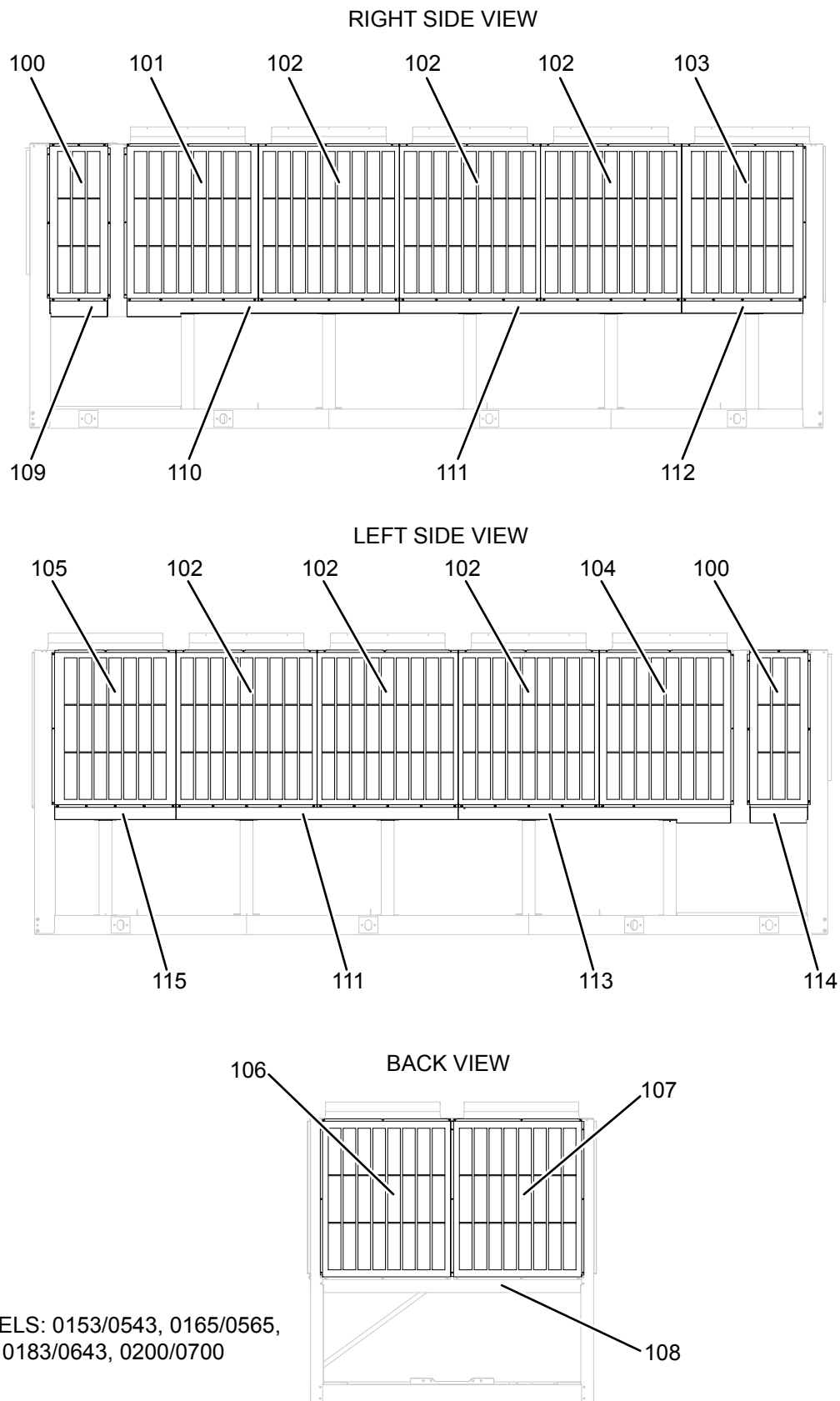
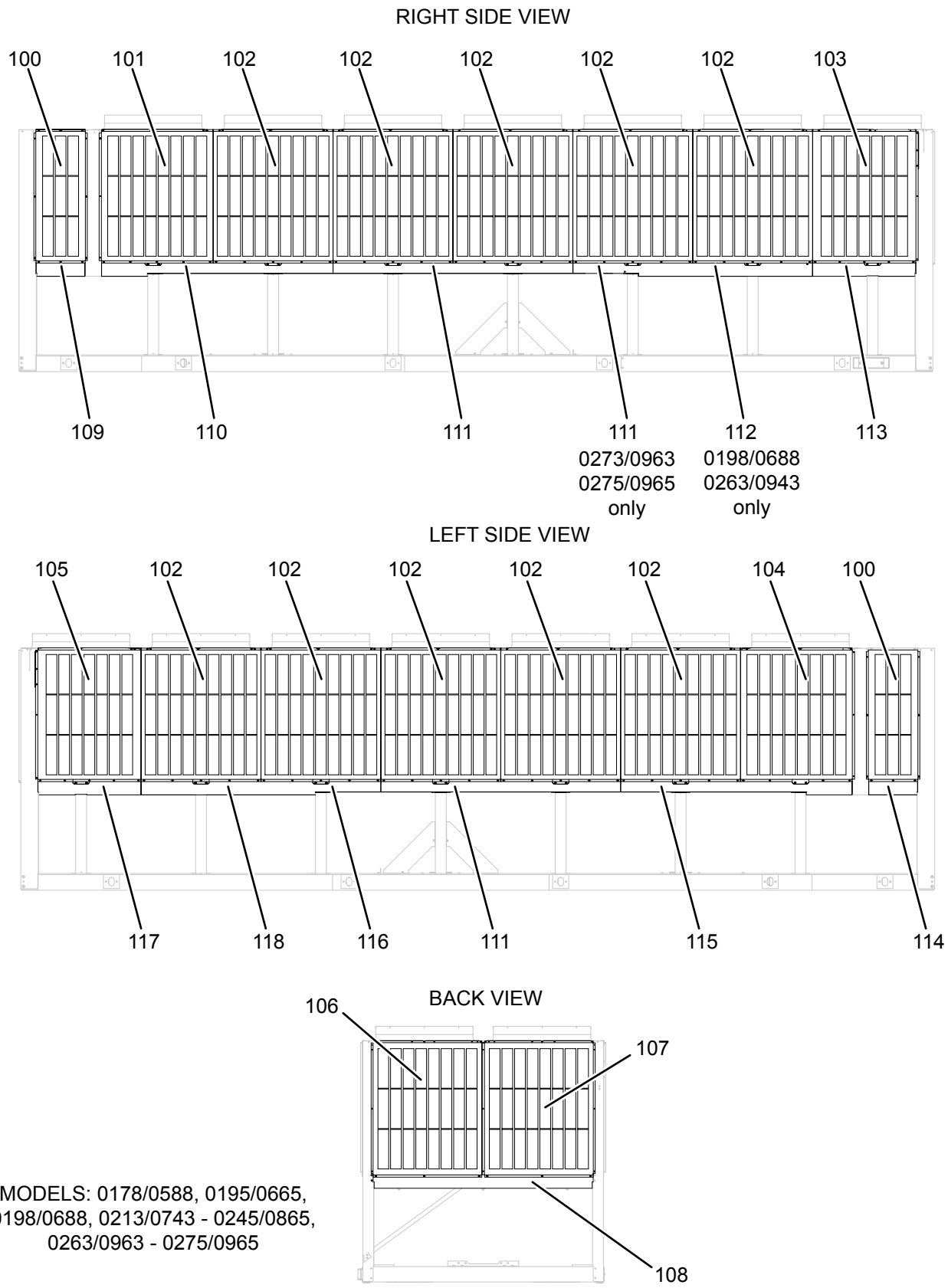


FIGURE 53 - TOP SECTION: LOUVERED ENCLOSURE KIT COMPONENTS - MODELS 0153/0543, 0165/0565 AND 0183/0643

LD17452

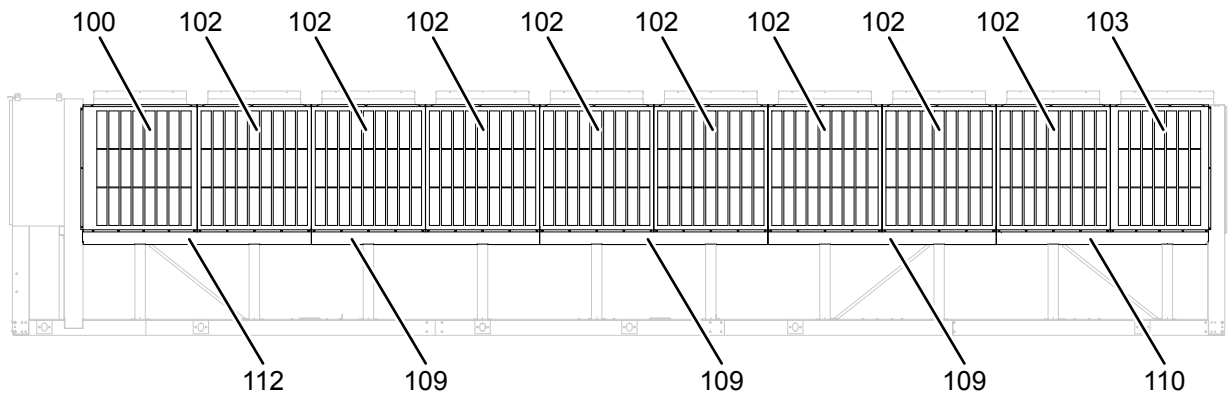


MODELS: 0178/0588, 0195/0665,
 0198/0688, 0213/0743 - 0245/0865,
 0263/0963 - 0275/0965

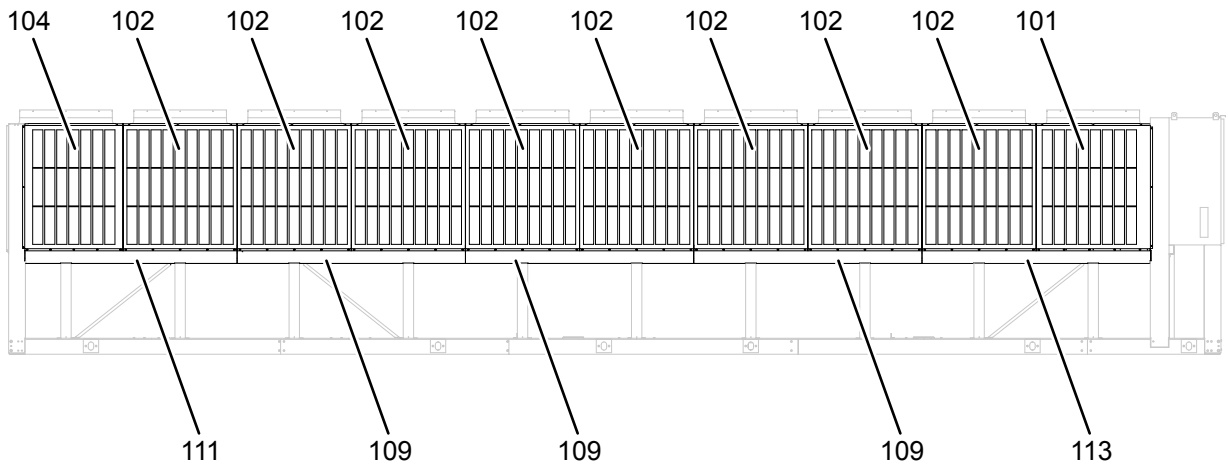
LD17453

FIGURE 54 - TOP SECTION: LOUVERED ENCLOSURE KIT COMPONENTS - MODELS 0178/0588, 0195/0665, 0198/0688, 0213/0743, 0215/0765, 0233/0843, 0263/0963, 0275/0965

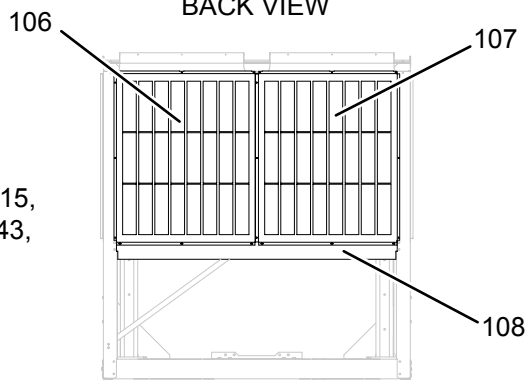
RIGHT SIDE VIEW



LEFT SIDE VIEW



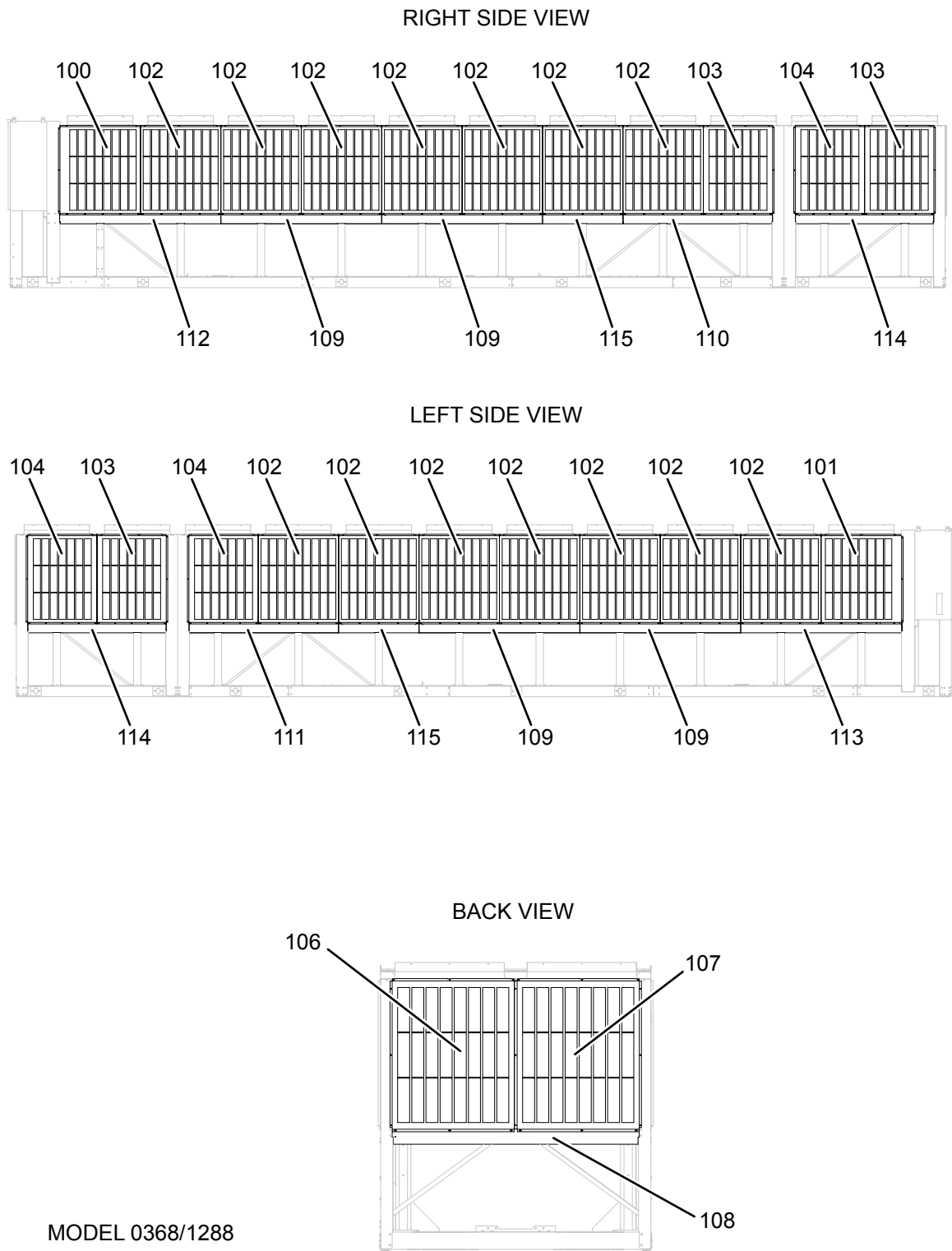
BACK VIEW



MODELS:
0248/0888, 0278/0988 - 0345/1215,
0373/1343, 0375/1315, 0413/1443,
0500/1700

LD17455

FIGURE 55 - TOP SECTION: LOUVERED ENCLOSURE KIT COMPONENTS - MODELS 0373/1343, 0375/1315, 0413/1443, 0500/1700

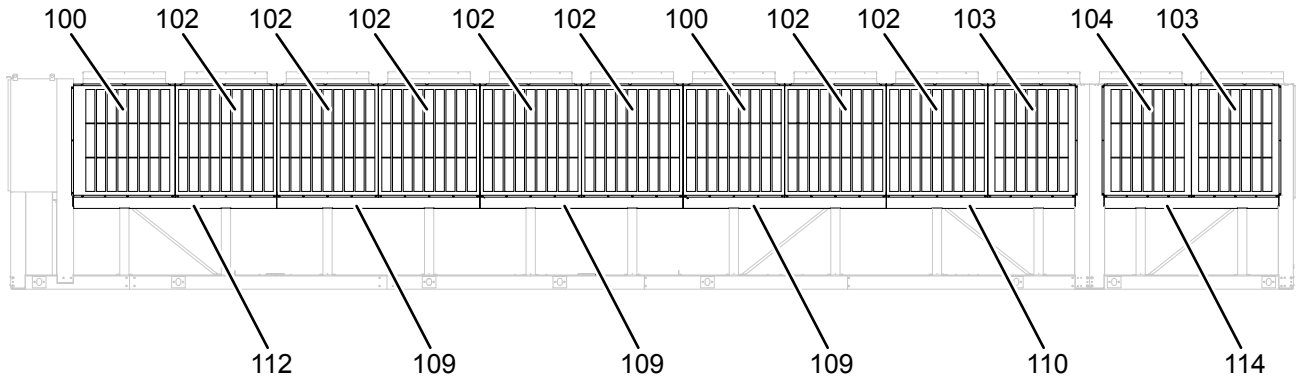


MODEL 0368/1288

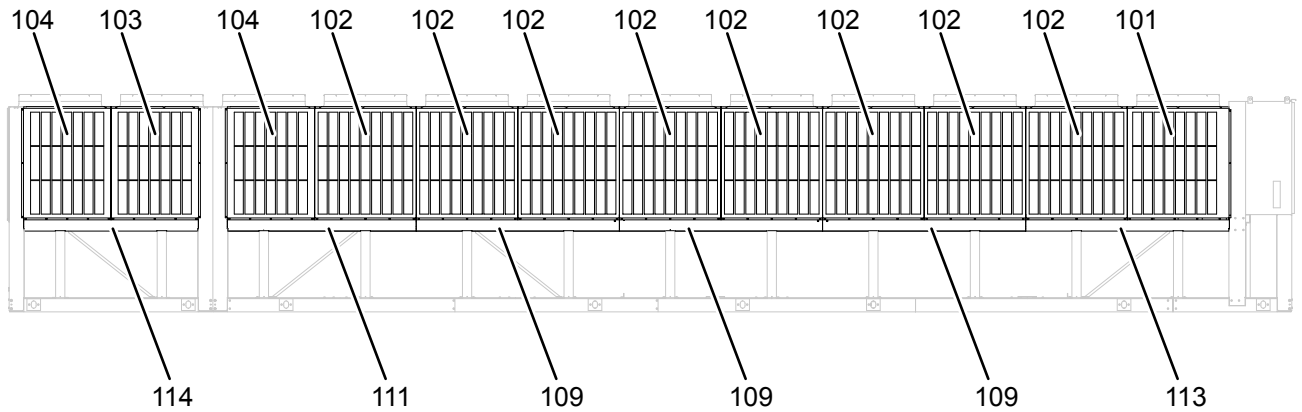
LD17456

FIGURE 56 - TOP SECTION: LOUVERED ENCLOSURE KIT COMPONENTS - MODELS 0368/1288

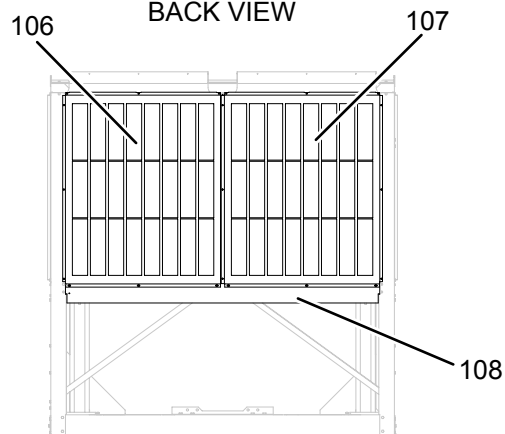
RIGHT SIDE VIEW



LEFT SIDE VIEW



BACK VIEW

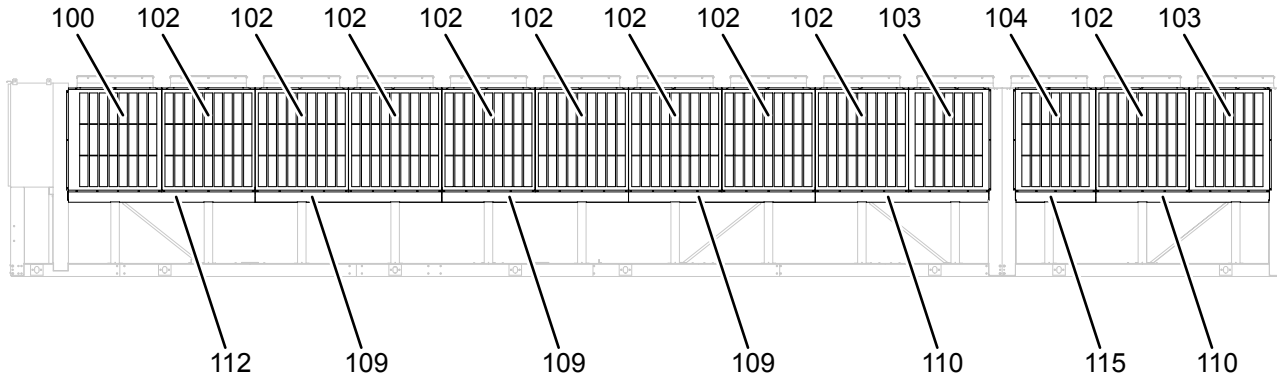


MODELS 0398/1388,
0425/1515, 0443/1543

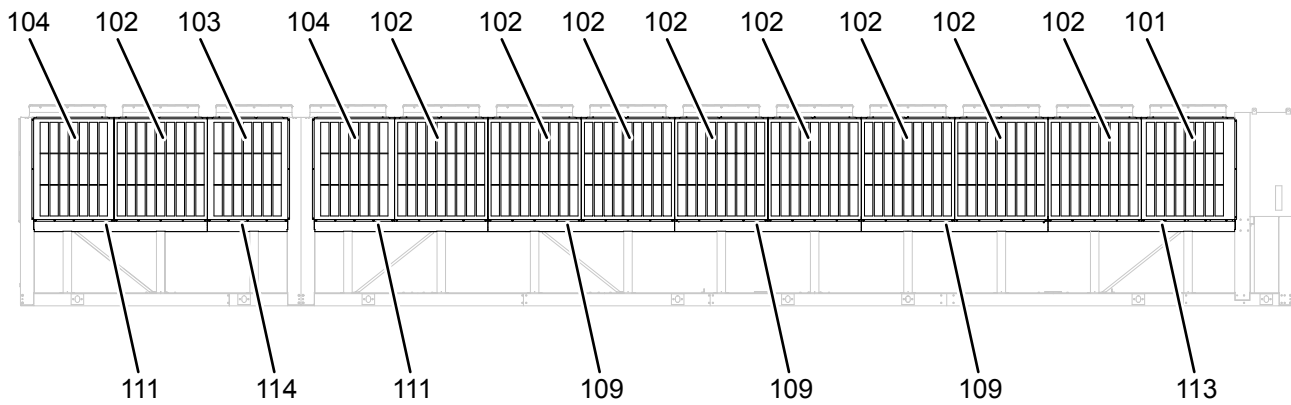
LD17457

FIGURE 57 - TOP SECTION: LOUVERED ENCLOSURE KIT COMPONENTS - MODELS 0398/1388, 0425/1515, 0443/1543

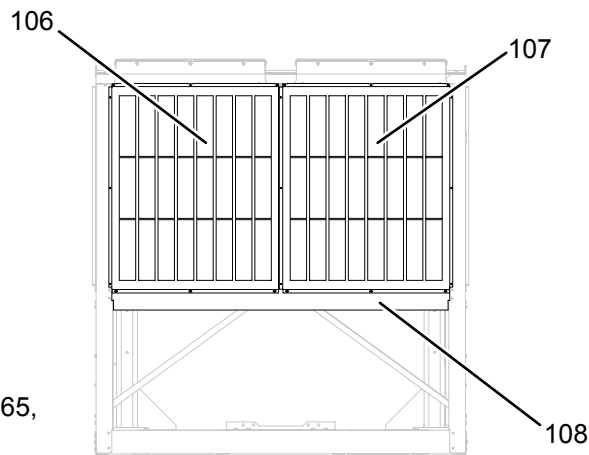
RIGHT SIDE VIEW



LEFT SIDE VIEW



BACK VIEW



MODELS 0428/1488, 0475/1665,
0483/1693, 0523/1843

LD17458

FIGURE 58 - TOP SECTION: LOUVERED ENCLOSURE KIT COMPONENTS - MODELS 0428/1488, 0475/1665, 0483/1693, 0523/1843

TABLE 56 - LOUVERED AND WIRE/LOUVERED ENCLOSURE KIT COMPONENTS - BOTTOM

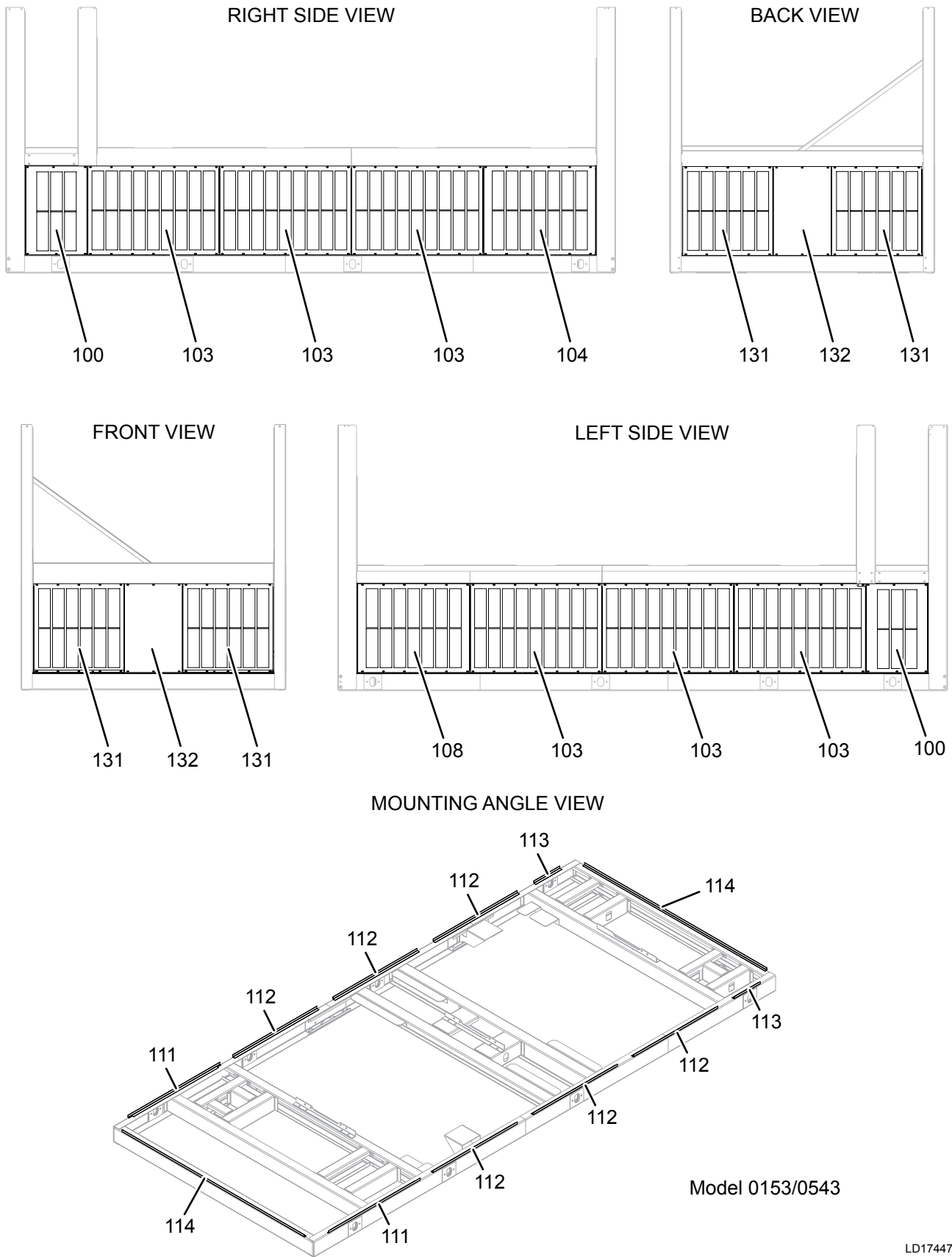
ITEM	MODEL	DESCRIPTION	PART NUMBER	SAP	QUANTITY	FIGURE
100	0153/0543 - 0345/1215	Panel Enclosure	075-93275-012	677324	2	59-67
	0368/1288 - 0523/1843		075-93275-082	946856	2	
101	0165/0565 - 0198/0688, 0213/0743 - 0295/1015, 0305/1065 - 0425/1515, 0443/1543, 0500/1700	Panel Enclosure	075-93275-031	677325	4	60, 62-67
	0428/1488, 0475/1665, 0483/1693, 0523/1843		075-93275-031	677325	6	
	0303/1093		075-93275-031	677325	8	
102	0368/1288 - 0523/1843	Panel Enclosure	075-93275-029	677344	4	62, 65-67
	0303/1093				3	
103	0153/0543, 0178/0588, 0195/0665, 0213/0743, 0215/0765, 0233/0843	Panel Enclosure	075-93275-010	677347	6	59-67
	0165/0565, 0183/0643				4	
	0200/0700				6	
	0198/0688, 0218/0788, 0245/0865, 0263/0943, 0273/0963, 0275/0965				8	
	0248/0888, 0278/0988, 0295/1015, 0303/1093, 0323/1143				10	
	0305/1065, 0308/1088, 0333/1173, 0343/1193, 0368/1288				12	
	0318/1188, 0345/1215, 0373/1343 - 0523/1843				14	
104	0153/0543 - 0345/1215, 0373/1343, 0375/1315, 0413/1443, 0500/1700	Panel Enclosure	075-93275-034	677326	1	59-67
	0368/1288, 0398/1388, 0425/1515 - 0483/1693, 0523/1843				3	
105	0373/1343, 0375/1315, 0413/1443, 0500/1700	Panel Enclosure	075-93275-035	677327	1	62-67
	0368/1288, 0398/1388, 0425/1515 - 0483/1693, 0523/1843				3	
	0303/1093		075-93275-050	723629	1	
106	0165/0565 - 0198/0688, 0213/0743 - 0345/1215	Panel Enclosure	075-93275-029	677344	4	60-67
	0373/1343, 0375/1315, 0413/1443, 0500/1700	Angle Support Louvers	075-94066-002	671395	4	
	0368/1288, 0398/1388, 0425/1515 - 0483/1693, 0523/1843				8	
107	0303/1093	Panel Enclosure	075-93275-051	723641	1	62

TABLE 56 - LOUVERED AND WIRE/LOUVERED ENCLOSURE KIT COMPONENTS - BOTTOM (CONT'D)

ITEM	MODEL	DESCRIPTION	PART NUMBER	SAP	QUANTITY	FIGURE
108	0153/0543 - 0345/1215	Panel Enclosure	075-93275-035	677327	1	59-67
	0368/1288 - 0375/1315, 0413/1443, 0500/1700	Bracket Louvre	092-13674-000	946860	18	
	0398/1388, 0425/1515, 0443/1543				20	
	0428/1488, 0475/1665, 0483/1693, 0523/1843				22	
	0303/1093				1	
109	0368/1288 - 0523/1843	Bracket Louvre	092-13674-003	946863	2	65-67
111	0153/054 - 0198/0688, 0213/0743 - 0345/1215	Angle Support Louvers	075-94066-001	671394	2	59-61
	0200/0700		075-94066-007	695230	2	
112	0153/0543, 0178/0588, 0195/0665, 0213/0743, 0215/0765, 0233/0843	Angle Support Louvers	075-94066-006	671803	6	59-64
	0165/0565, 0183/0643, 0198/0688, 0218/0788, 0245/0865, 0263/0943, 0273/0963, 0275/0965				8	
	0248/0888, 0278/0988, 0295/1015 - 0308/1088, 0323/1143, 0333/1173, 0343/1193		075-94066-000	671393	6	
	0318/1188, 0345/1215		075-94066-008	695561	10	
	0200/0700				2	
113	0153/0543 - 0198/0688, 0213/0743 - 0345/1215	Angle Support Louvers	075-94066-002	671395	2	59-61
	0200/0700		075-94066-010	695563	2	
114	ALL	Angle Support Louvers	075-94066-003	671398	1	59-67
115	0178/0588, 0195/0665, 0198/0688, 0213/0743 - 0245/0865, 0263/0943 - 0275/0965,	Angle Support Louvers	075-94066-004	671396	2	60, 62, 63, 65-67
	0248/0888, 0278/0988 - 0303/1093, 0318/1188, 0323/1143, 0345/1215				4	
	0305/1065, 0308/1088, 0333/1173, 0343/1193				5	
	0368/1288 - 0523/1843				1	
116	0178/0588, 0195/0665, 0198/0688, 0213/0743 - 0245/0865, 0263/0943 - 0275/0965	Angle Support Louvers	075-94066-005	671397	2	60, 62, 63, 65
	0248/0888, 0278/0988 - 0303/1093, 0318/1188, 0323/1143, 0345/1215				4	
	0305/1065, 0308/1088, 0333/1173, 0343/1193				5	

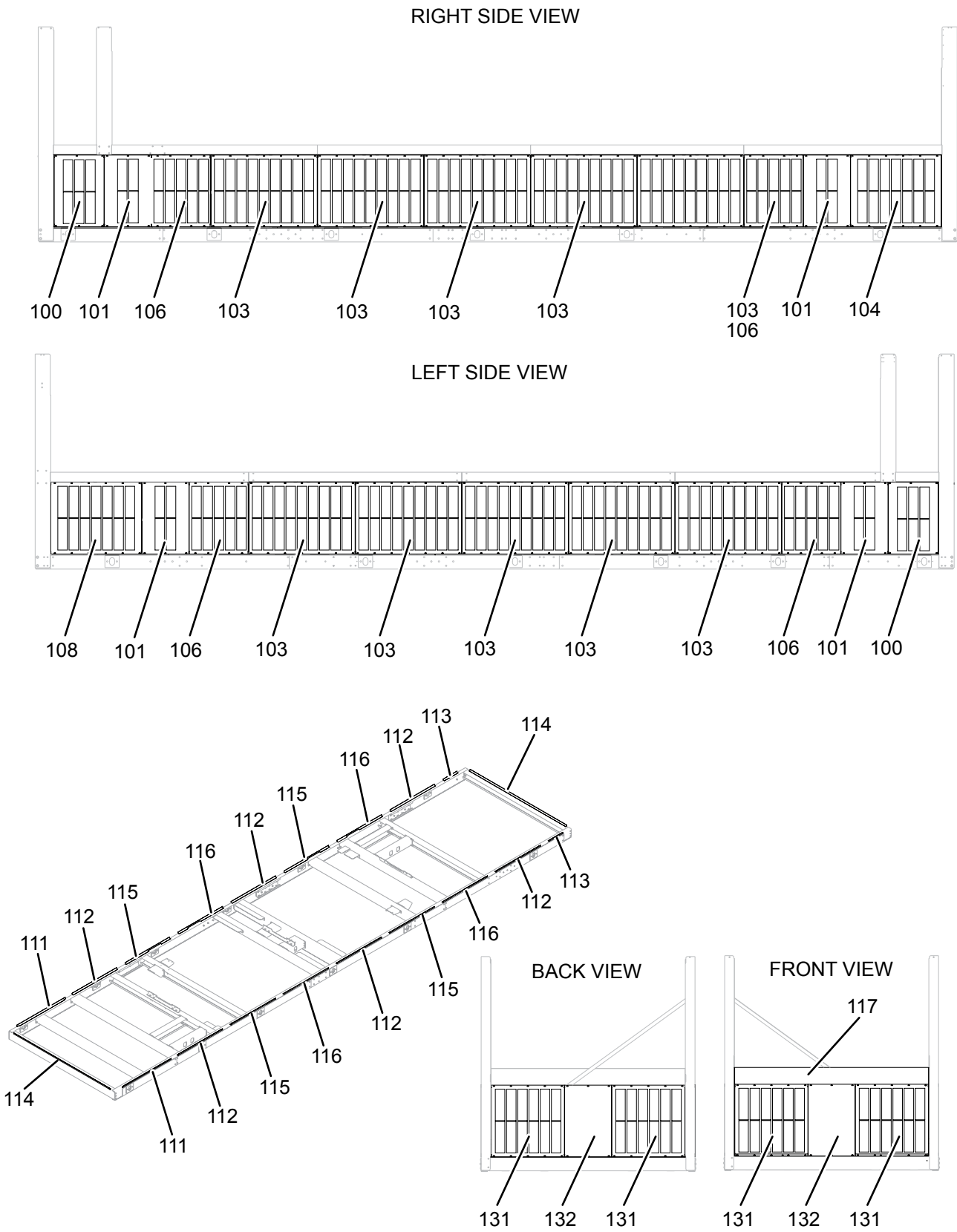
TABLE 56 - LOUVERED AND WIRE/LOUVERED ENCLOSURE KIT COMPONENTS - BOTTOM (CONT'D)

ITEM	MODEL	DESCRIPTION	PART NUMBER	SAP	QUANTITY	FIGURE
117	0153/0543 - 0345/1215	Rail Support	075-84415-001	677345	1	59-67
	0368/1288 - 0523/1843	Louvers	092-13674-001	946861	1	
118	0303/1093, 0308/1088, 0333/1173	Panel Enclosure	075-93275-052	723642	1	62, 63
119	0303/1093, 0308/1088, 0333/1173	Panel Enclosure	075-93275-053	723643	1	62, 63
121	0303/1093, 0308/1088, 0333/1173	Angle Support Louvers	075-94066-021	703608	1	62, 63
122	0303/1093, 0308/1088, 0333/1173	Panel Enclosure	075-93275-055	723644	2	62, 63
123	0303/1093, 0308/1088, 0333/1173	Angle Support Louvers	075-94066-034	723645	1	62, 63
124	0303/1093, 0308/1088, 0333/1173	Angle Support Louvers	075-94066-035	723646	3	62, 63
125	0303/1093, 0308/1088, 0333/1173	Angle Support Louver	075-94066-036	723647	1	62, 63
126	0303/1093, 0308/1088, 0333/1173	Angle Support Louvers	075-94066-037	723648	1	62, 63
127	0303/1093, 0308/1088, 0333/1173	Angle Support Louvers	075-94066-038	723649	1	62, 63
128	0303/1093, 0308/1088, 0333/1173	Angle Support Louvers	075-94066-039	723650	2	62, 63
131	ALL	Panel Enclosure	075-93275-030	677323	2	59-67
132	ALL	Panel Enclosure	075-93275-032	677306	1	59-67
133	0368/1288 - 0523/1843	Panel Enclosure	075-93275-083	946857	2	65-67



LD17447

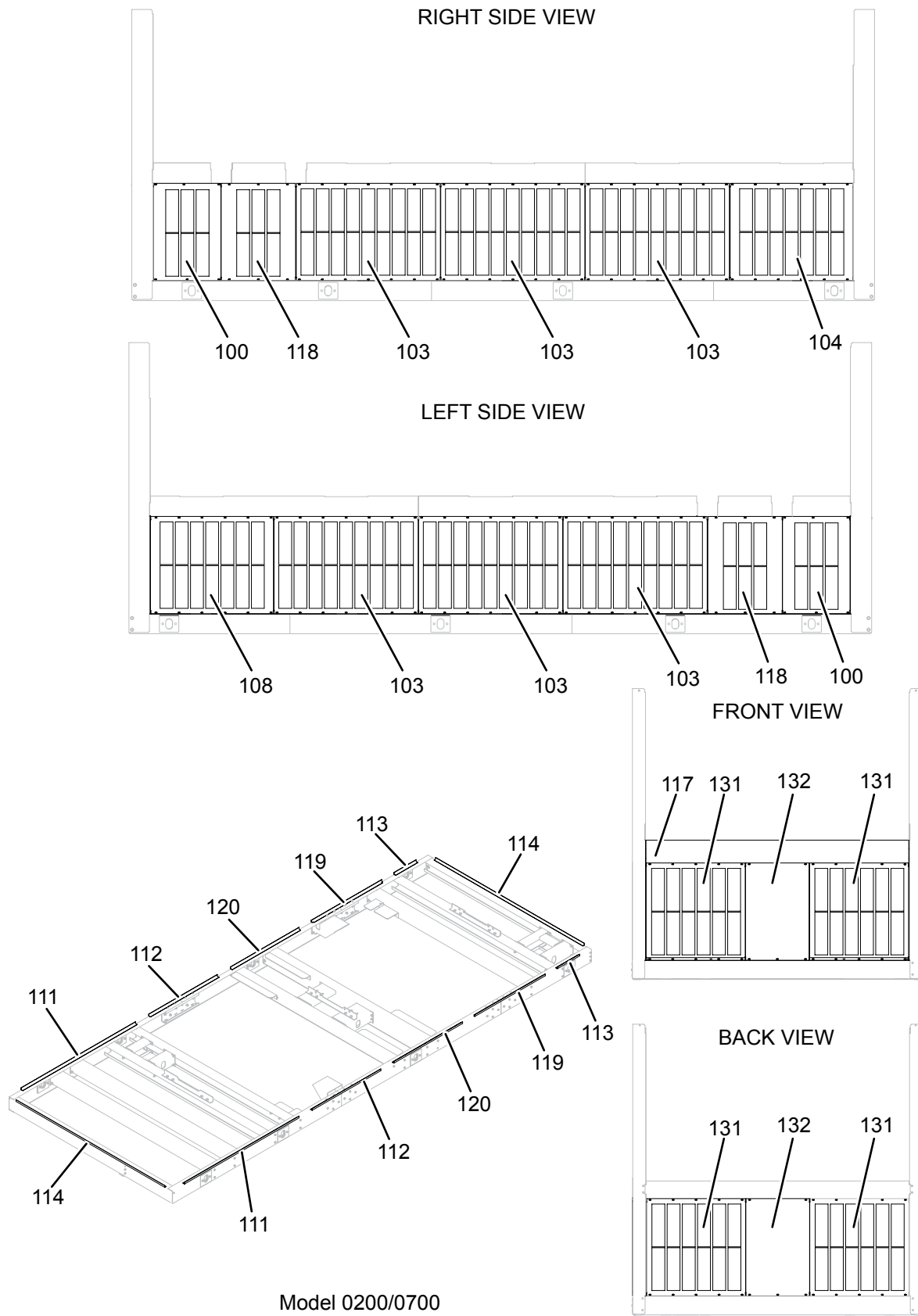
FIGURE 59 - BOTTOM SECTION: LOUVERED ENCLOSURE KIT COMPONENTS - MODEL 0153/0543



Models: 0165/0565 - 0198/0688, 0213/0743 - 0295/1015, 0323/1143, 0343/1193

LD17445

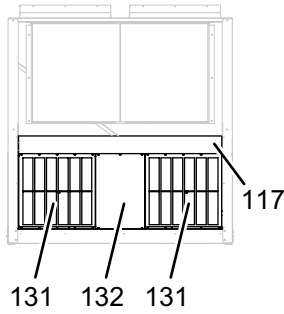
FIGURE 60 - BOTTOM SECTION: LOUVERED ENCLOSURE KIT COMPONENTS - MODEL 0165/0565 - 0198/0688, 0213/0743 - 0295/1015, 0323/1143, 0343/1193



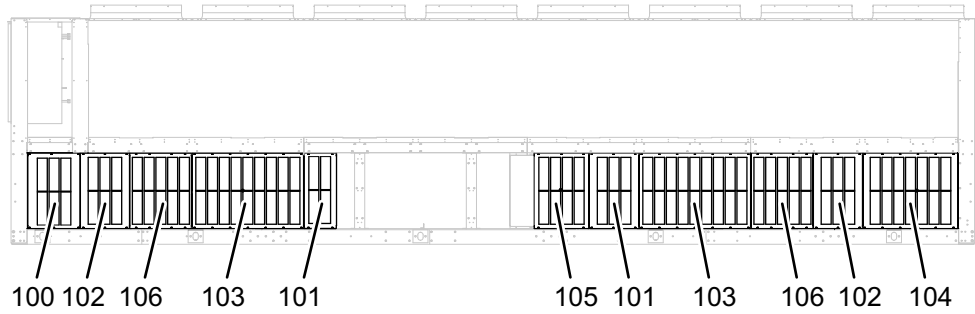
LD17446

FIGURE 61 - BOTTOM SECTION: LOUVERED ENCLOSURE KIT COMPONENTS - MODEL 0200/0700

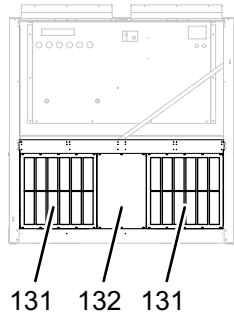
FRONT VIEW



RIGHT SIDE VIEW
 0303 / 1093 Shown



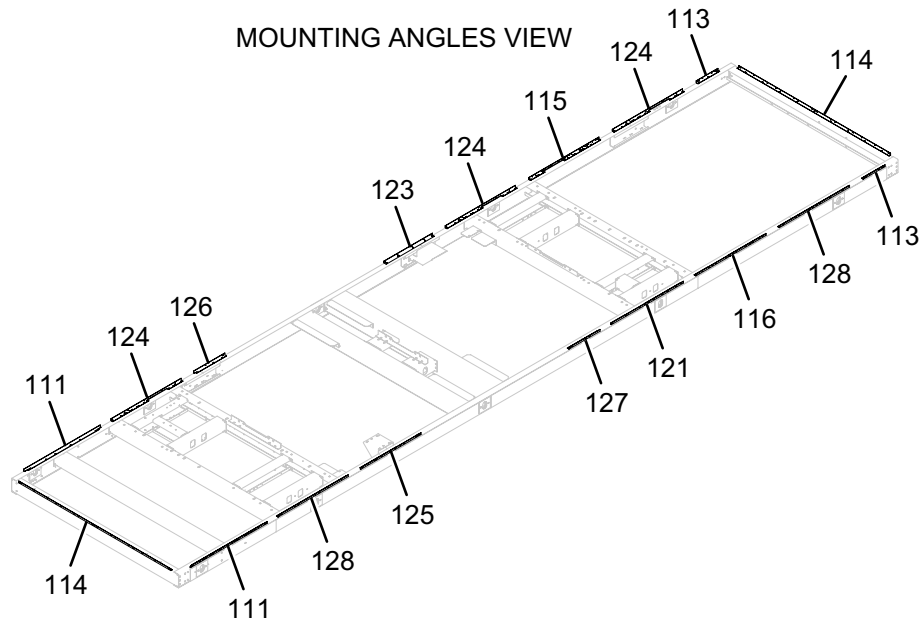
BACK VIEW



LEFT SIDE VIEW

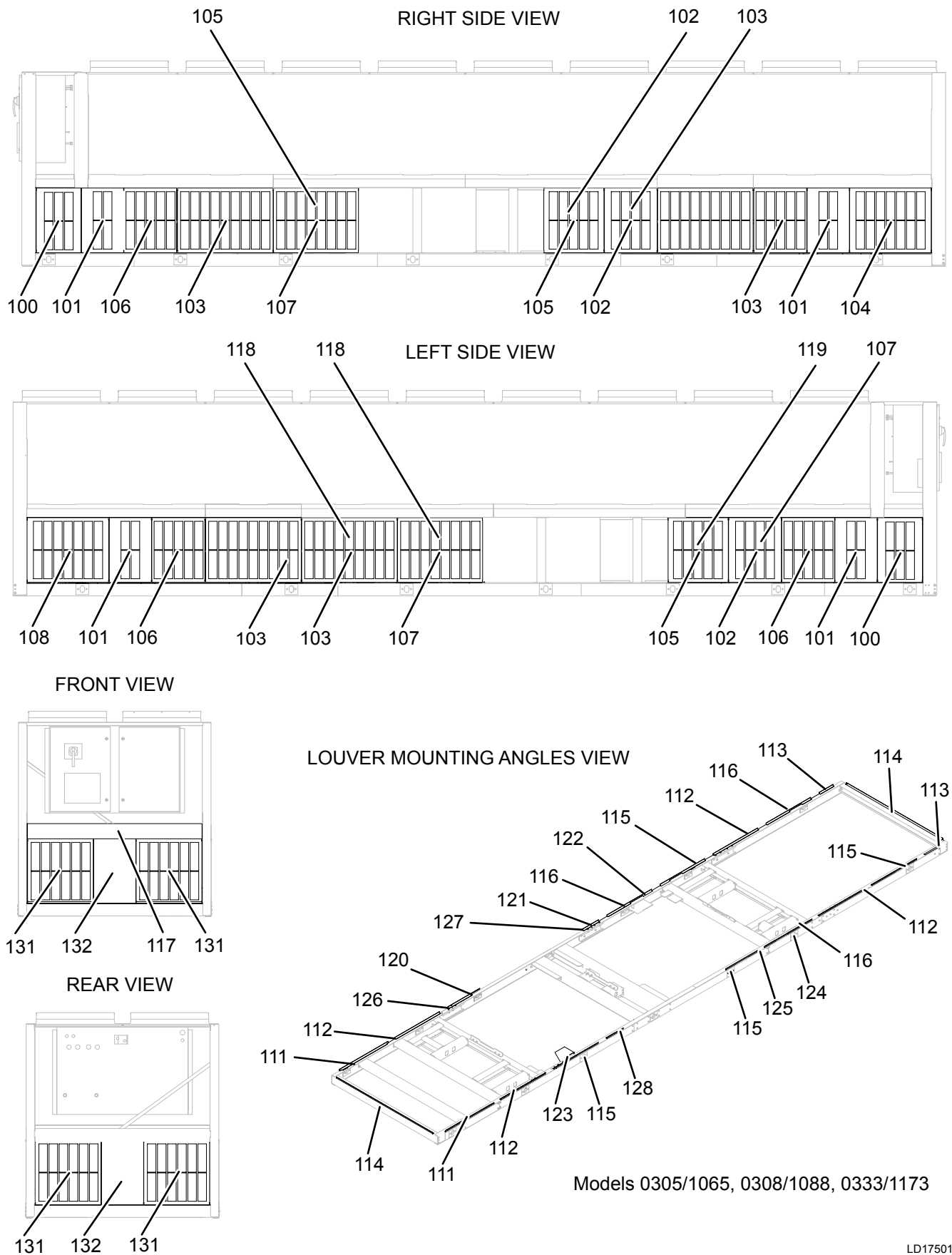


MOUNTING ANGLES VIEW



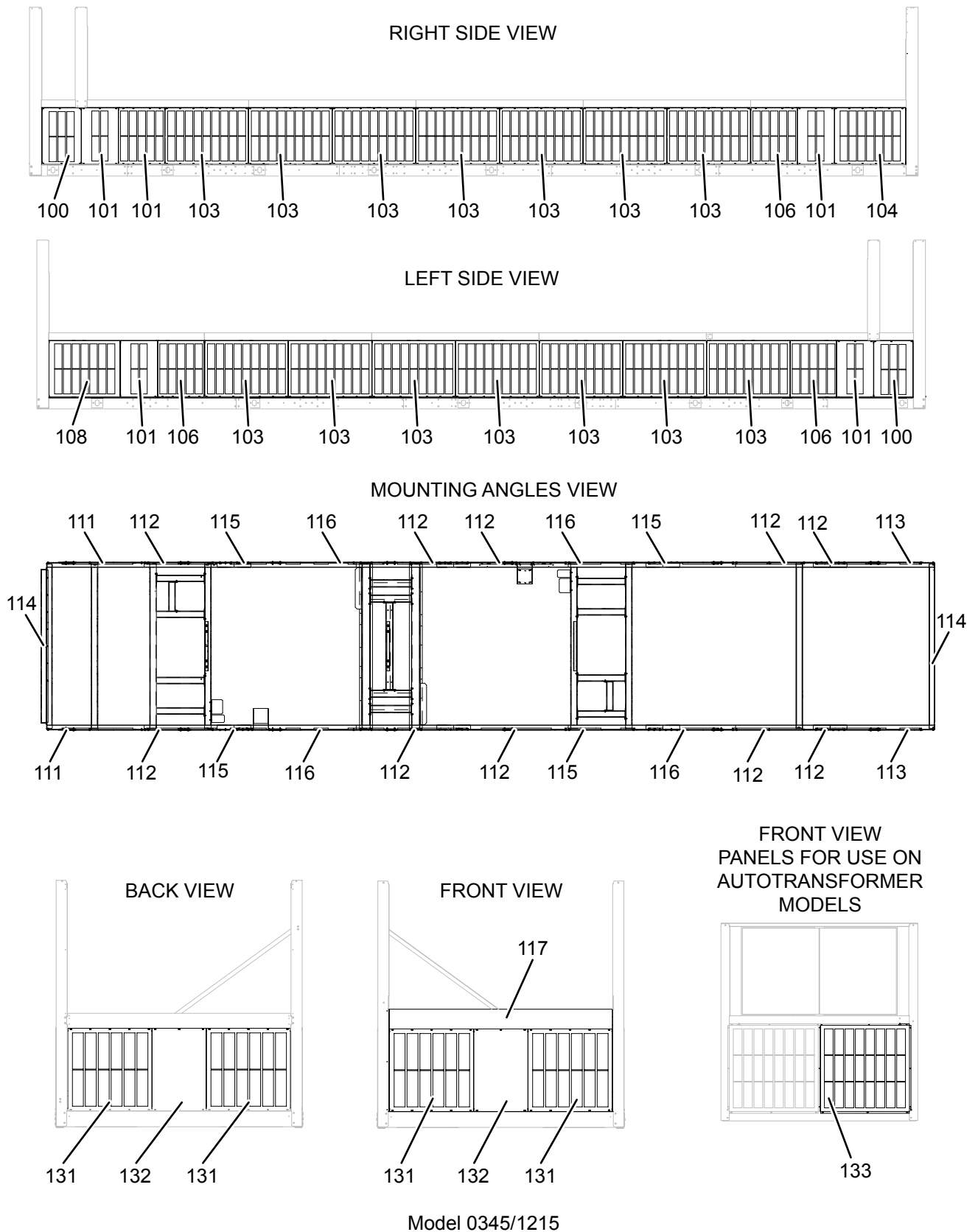
LD17290

FIGURE 62 - BOTTOM SECTION: LOUVERED ENCLOSURE KIT COMPONENTS - MODELS 0303/1093, 0318/1188



LD17501

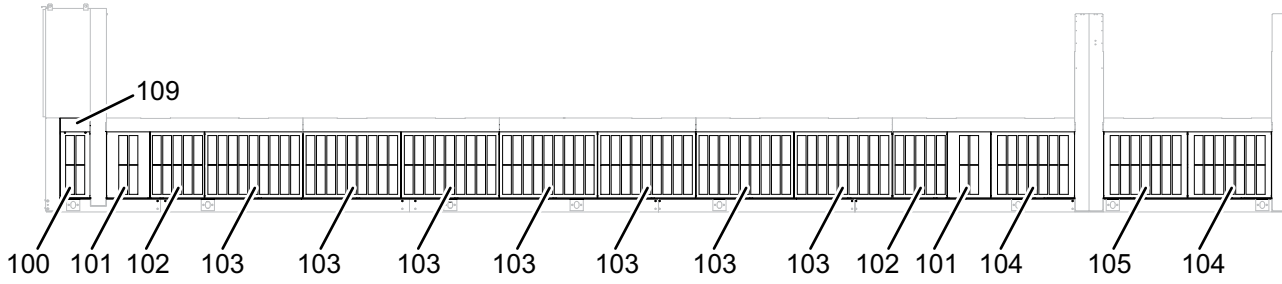
FIGURE 63 - BOTTOM SECTION: LOUVERED ENCLOSURE KIT COMPONENTS - MODELS 0305/1065, 0308/1088, 0333/1173



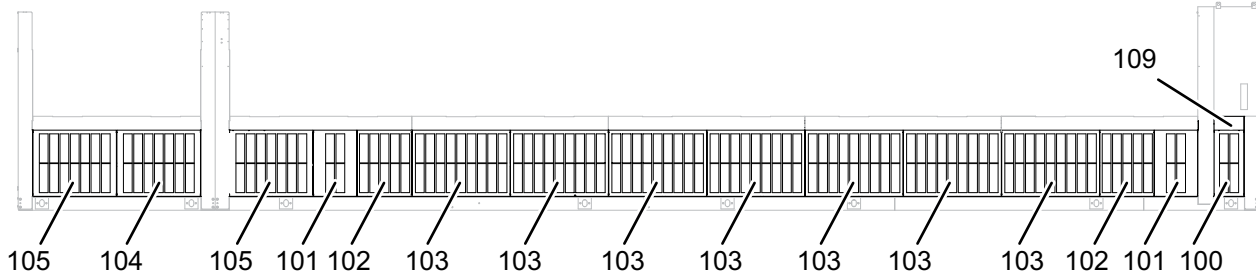
LD17444

FIGURE 64 - BOTTOM SECTION: LOUVERED ENCLOSURE KIT COMPONENTS - MODEL 0345/1215

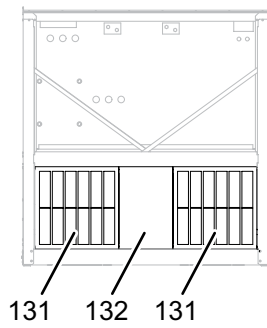
RIGHT SIDE VIEW



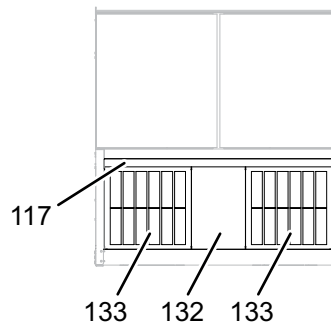
LEFT SIDE VIEW



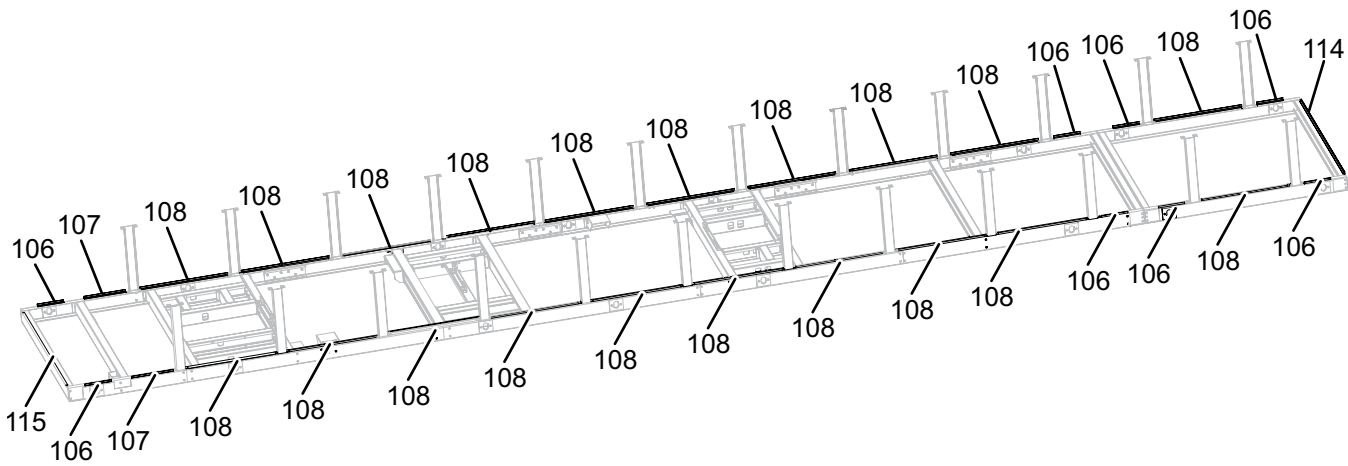
BACK VIEW



FRONT VIEW



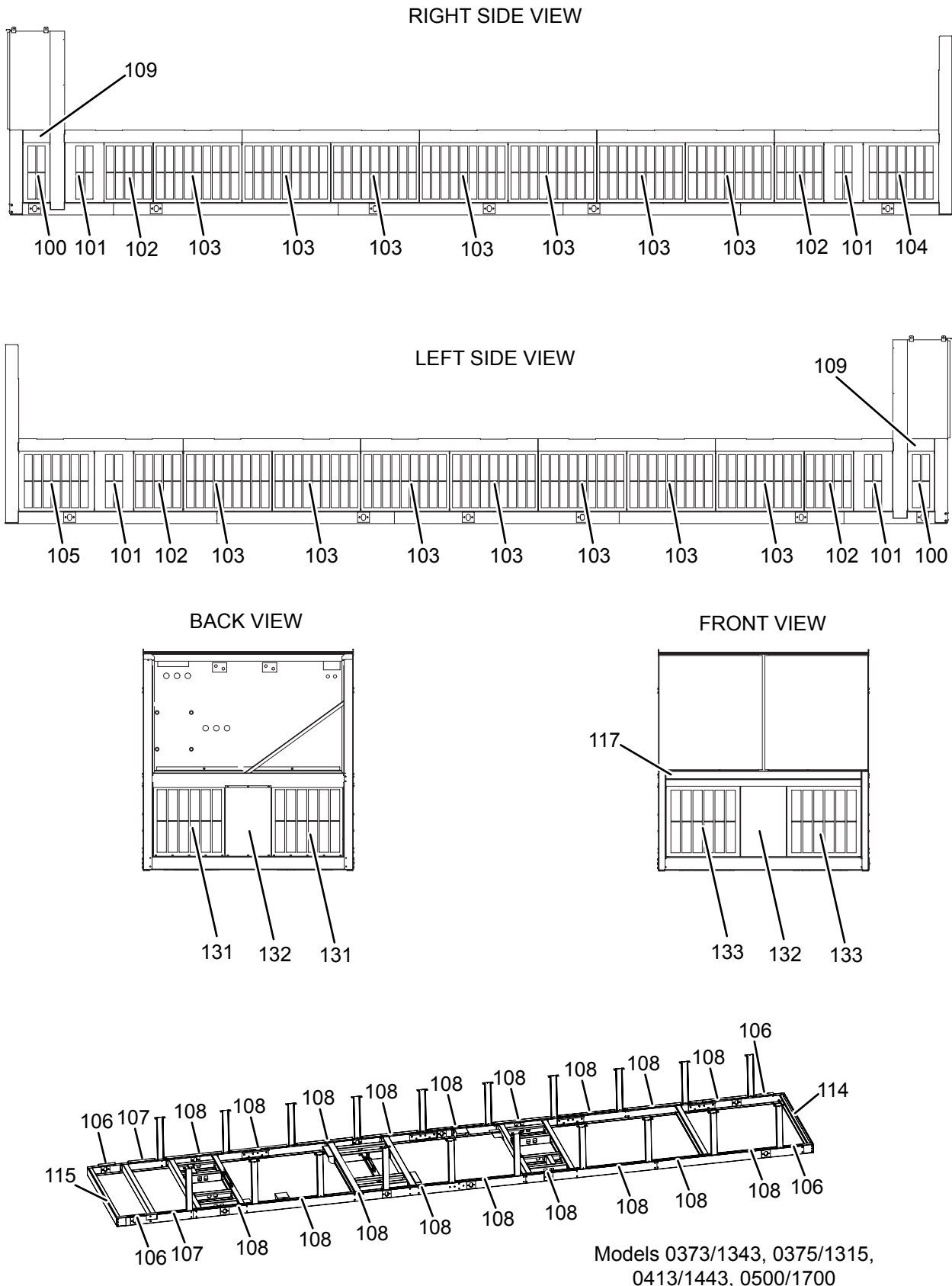
LOUVER KIT BOTTOM PANELS



Models 0368/1288, 0398/1388,
 0425/1515, 0443/1543

LD17502

FIGURE 65 - BOTTOM SECTION: LOUVERED ENCLOSURE KIT COMPONENTS - MODEL 0368/1288, 0398/1388, 0425/1515, 0443/1543

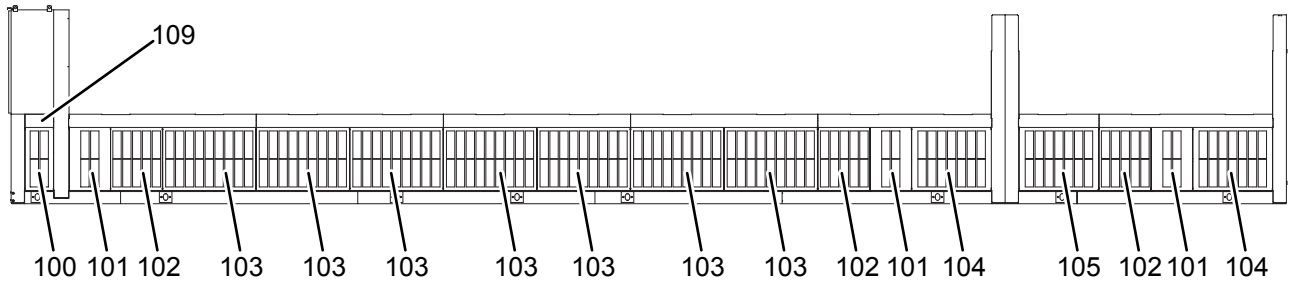


Models 0373/1343, 0375/1315,
 0413/1443, 0500/1700

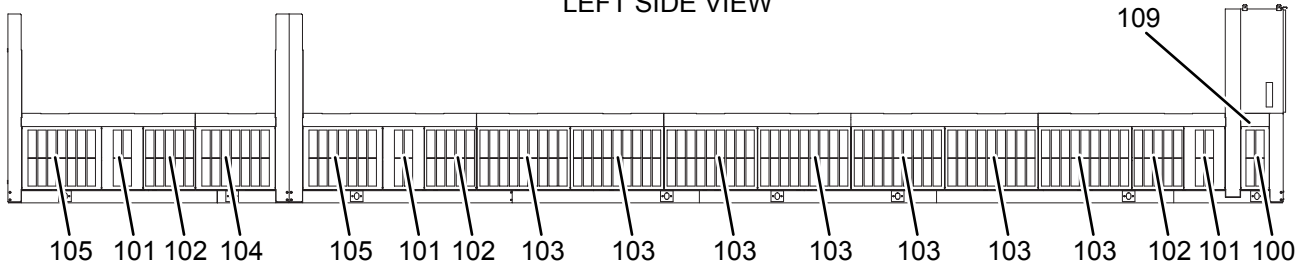
LD17503

FIGURE 66 - BOTTOM SECTION: LOUVERED ENCLOSURE KIT COMPONENTS - MODEL 0373/1343, 0375/1315, 0413/1443, 0500/1700

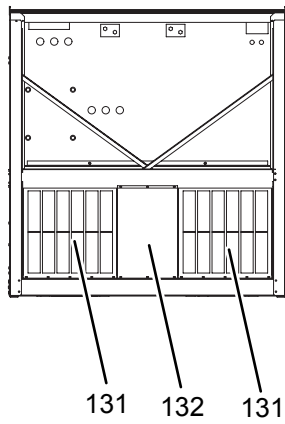
RIGHT SIDE VIEW



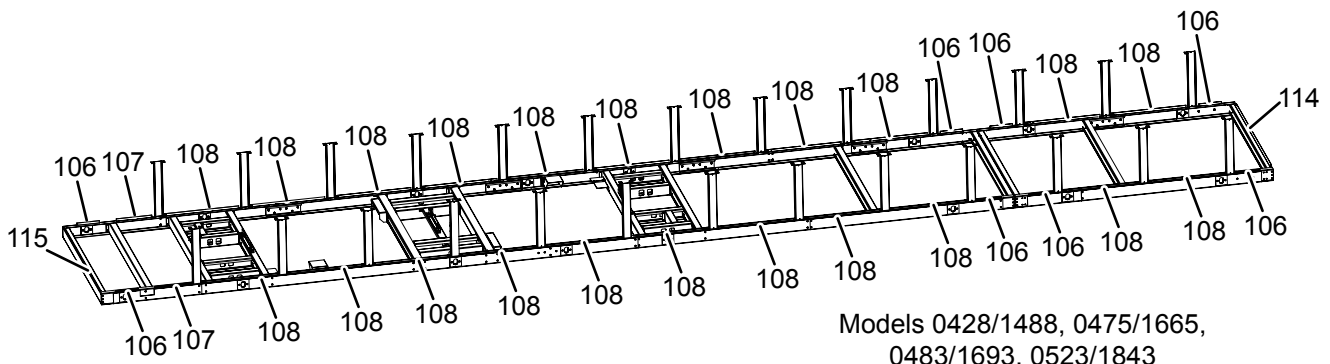
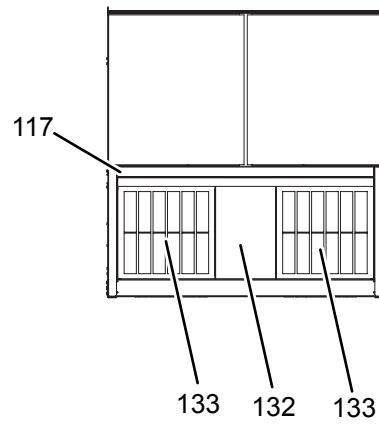
LEFT SIDE VIEW



BACK VIEW



FRONT VIEW



Models 0428/1488, 0475/1665,
 0483/1693, 0523/1843

LD17468

FIGURE 67 - BOTTOM SECTION: LOUVERED ENCLOSURE KIT COMPONENTS - MODEL 0428/1488, 0475/1665, 0483/1693, 0523/1843

TABLE 57 - LOUVERED ENCLOSURE (COND. ONLY)

ITEM	MODEL	DESCRIPTION	PART NUMBER	SAP NUMBER	QUANTITY	FIGURE
100	0153/0543 - 0345/1215	Panel Enclosure	075-93275-001	668145	2	68-74
	0368/1288 - 0523/1843,		075-93275-080	946854	1	
101	0153/0543 - 0345/1215	Panel Enclosure	075-93275-004	677285	1	68-74
	0368/1288 - 0523/1843,		075-93275-081	946855	1	
102	0153/0543, 0200/0700	Panel Enclosure	075-93275-002	677287	4	68-74
	0165/0565, 0183/0643				6	
	0178/0588, 0195/0665, 0213/0743, 0215/0765, 0233/0843,				8	
	0198/0688, 0218/0788, 0245/0865, 0263/0943, 0273/0963, 0275/0965				10	
	0248/0888, 0278/0988, 0295/1015, 0303/1093, 0323/1143,				12	
	0303/1093, 0305/1065, 0308/1088, 0323/1143, 0368/1288				14	
	0318/1188, 345/1215, 0373/1343, 0375/1315, 0398/1388, 0413/1443, 0425/1515, 0443/1543, 0500/1700,				16	
	0428/1488, 0475/1665, 0483/1693, 0523/1843,				18	
103	0153/0543 - 0345/1215, 0373/1343, 0375/1315, 0413/1443, 0500/1700	Panel Enclosure	075-93275-003	677288	1	68-74
	0368/1288, 0398/1388, 0425/1515 - 0483/1693, 0523/1843				3	
104	0153/0543 - 0345/1215	Panel Enclosure	075-93275-006	677290	1	68-74
	0368/1288 - 0523/1843,		075-93275-005	677289	1	
105	0153/0543 - 0345/1215	Panel Enclosure	075-93275-005	677289	1	68-71
106	ALL	Panel Enclosure	075-93275-007	677301	1	68-74
107	ALL	Panel Enclosure	075-93275-008	677302	1	68-74
108	ALL	Rail Support Louvers	075-84415-000	671299	1	68-74
109	0153/0543 - 0345/1215	Panel Cover Wiring Tray	092-03563-001	768462	1	68-71, 73, 74
	0368/1288		092-03563-007	768468	4	
	0373/1343 - 0523/1843				6	
110	0153/0543 - 0345/1215,	Panel Cover Wiring Tray	092-03563-002	768463	1	68-74
	0368/1288 - 0425/1515, 0443/1543, 0500/1700		092-03563-003	768464	1	
	0428/1488, 0475/1665, 0483/1693, 0523/1843		092-03563-003	768464	2	
111	0165/0565 - 0195/0665, 0213/0743, 0215/0765, 0233/0843,	Panel Cover Wiring Tray	092-03563-007	768468	2	69-74
	0198/0688, 0218/0788, 0245/0865 - 0308/1088, 0323/1143 - 0343/1193				4	
	0318/1188, 345/1215,				6	
	0368/1288, 0373/1343, 0375/1315, 0398/1388, 0413/1443, 0425/1515, 0443/1543, 0500/1700,		092-03563-006	768467	1	
	0428/1488, 0475/1665, 0483/1693, 0523/1843,				2	

TABLE 57 - LOUVERED ENCLOSURE (COND. ONLY) (CONT'D)

ITEM	MODEL	DESCRIPTION	PART NUMBER	SAP NUMBER	QUANTITY	FIGURE
112	0305/1065, 0308/1088, 0333/1173, 0343/1193	Panel Cover Wiring Tray	092-03563-010	768471	2	73, 74
	0368/1288 - 0523/1843,		092-03563-012	987146	1	
113	0153/0543, 0178/0588, 0195/0665, 0200/0700 - 0215/0765, 0233/0843, 0248/0888, 0278/0988, 0295/1015 - 345/1215,	Panel Cover Wiring Tray	092-03563-003	768464	1	68-74
	0165/0565, 0183/0643, 0198/0688, 0218/07880245/0865, 0263/0943, 0273/0963, 0275/0965		092-03563-008	768469	1	
	0368/1288, 0373/1343, 0375/1315, 0398/1388, 0413/1443, 0425/1515, 0428/1488, 0443/1543, 0475/1665, 0483/1693, 0500/1700, 0523/1843,		092-03563-013	987147	1	
114	0153/0543 - 0345/1215,	Panel Cover Wiring Tray	092-03563-004	768465	1	68-71, 73, 74
	0428/1488, 0475/1665, 0483/1693, 0523/1843,		092-03563-008	768469	1	
	0368/1288		092-03563-010	768471	2	
115	0165/0565, 0183/0643, 0198/0688, 0218/0788, 0245/0865, 0248/0888 - 345/1215,	Panel Cover Wiring Tray	092-03563-005	768466	1	70-74
	0368/1288, 0398/1388, 0425/1515, 0443/1543		092-03563-014	988797	2	
	0428/1488, 0475/1665, 0483/1693, 0523/1843,		092-03563-009	768470	1	
116	0153/0543, 0200/0700	Panel Cover Wiring Tray	092-03563-005	768466	1	68, 69, 73
	0305/1065, 0308/1088, 0333/1173, 0343/1193		092-03563-006	768467	1	
117	0153/0543, 0178/0588, 0195/0665, 0200/0700, 0213/0743, 0215/0765, 0233/0843, 0248/0888, 0278/0988, 0295/1015, 0303/1093, 0318/1188, 0323/1143, 345/1215,	Panel Cover Wiring Tray	092-03563-006	768467	1	68-71
	0165/0565, 0183/0643, 0198/0688, 0218/07880245/0865, 0263/0943, 0273/0963, 0275/0965		092-03563-009	768470	1	

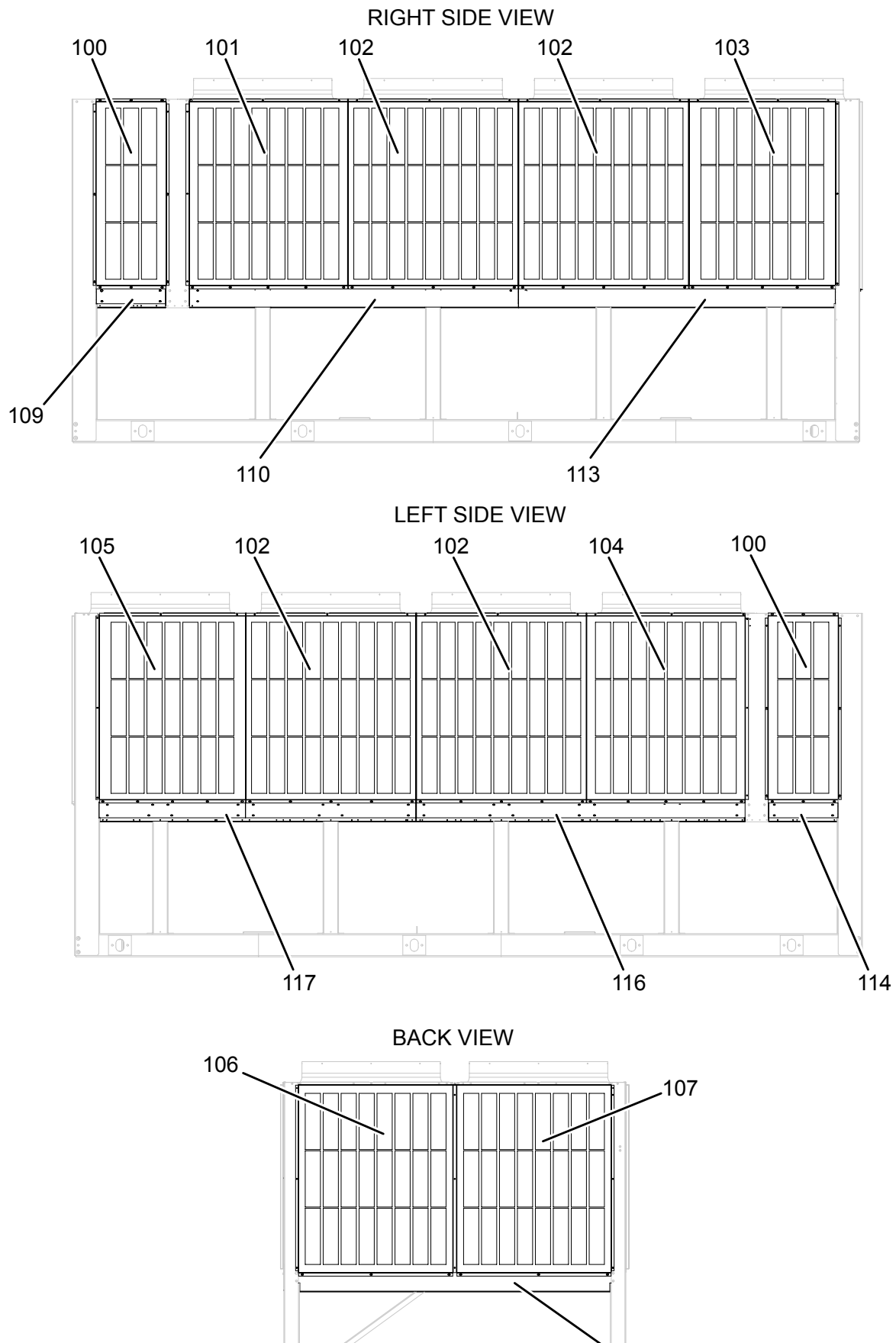


FIGURE 68 - LOUVERED ENCLOSURE (COND. ONLY) MODEL 0153/0543

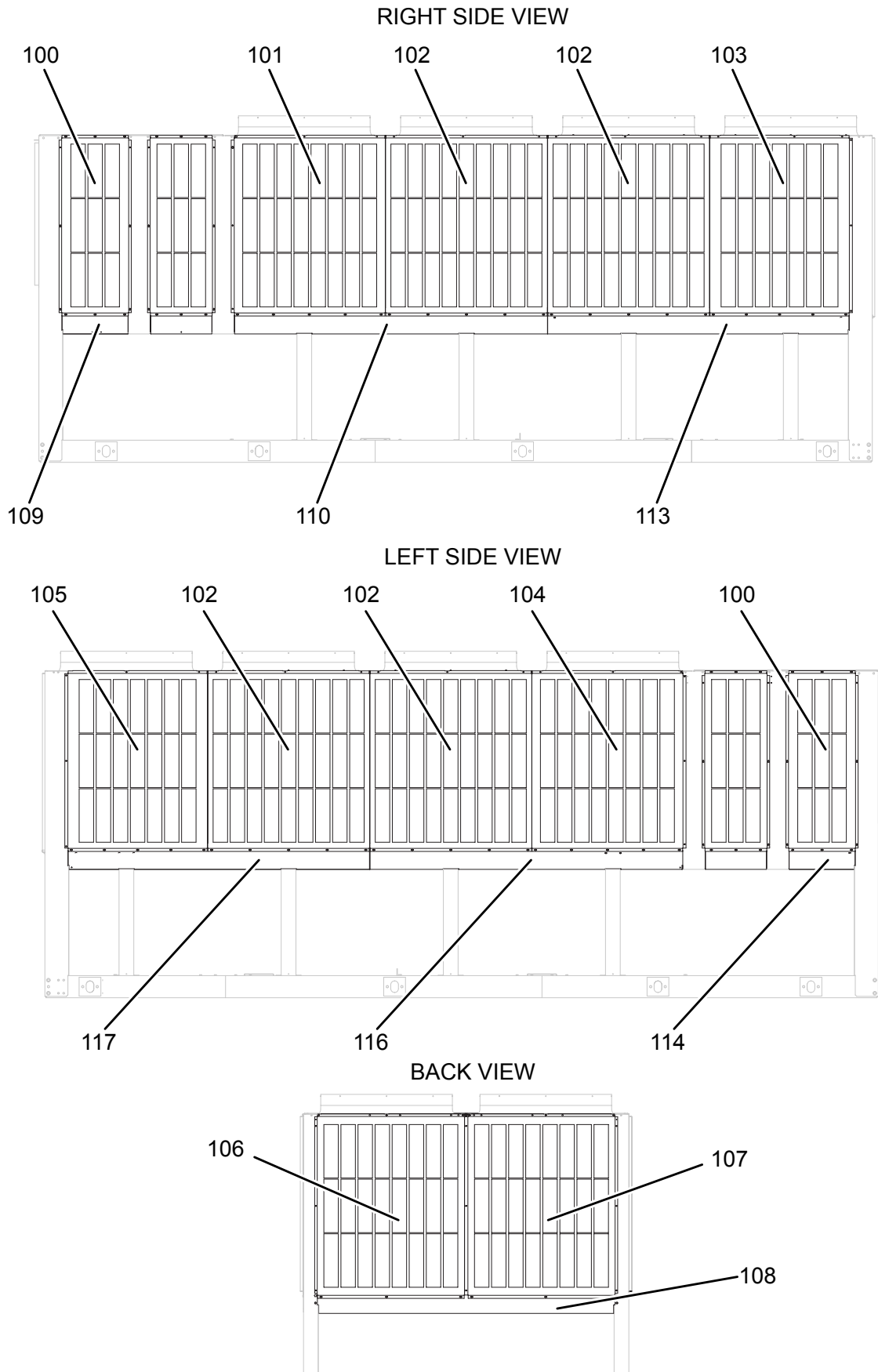
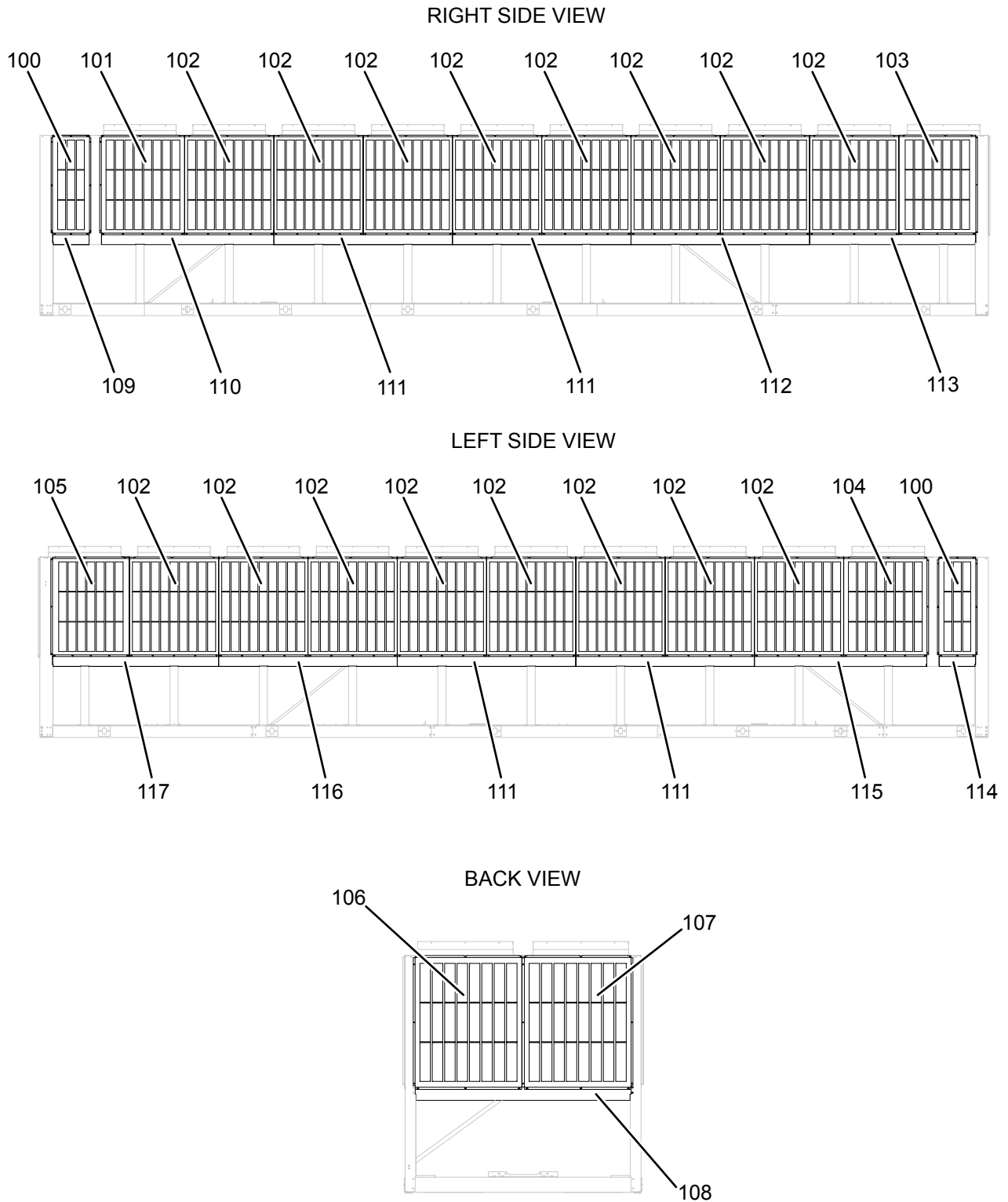


FIGURE 69 - LOUVERED ENCLOSURE (COND. ONLY) MODEL 0200/0700

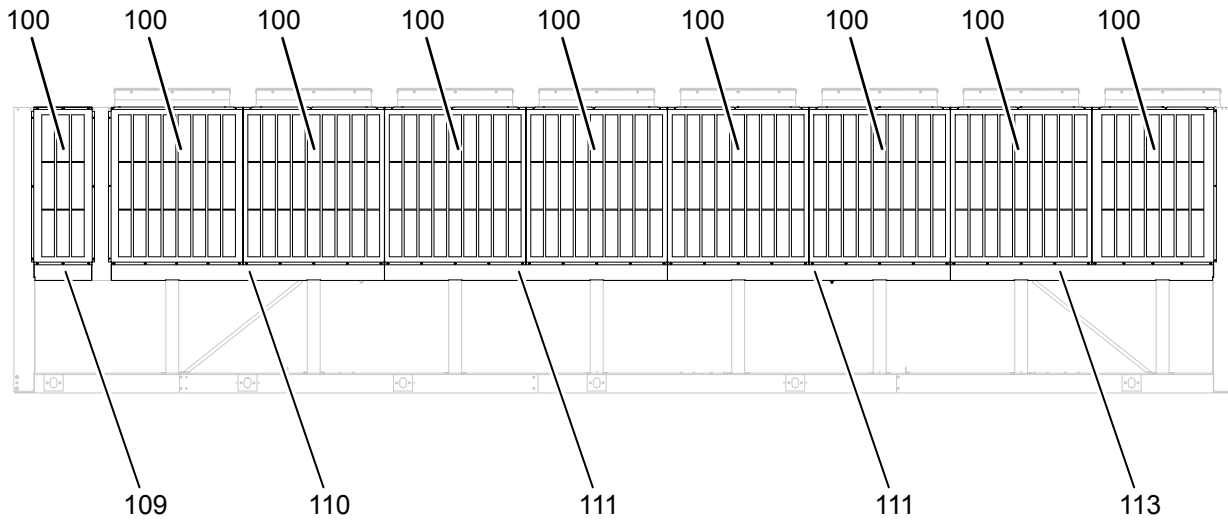


MODEL 0345/1215

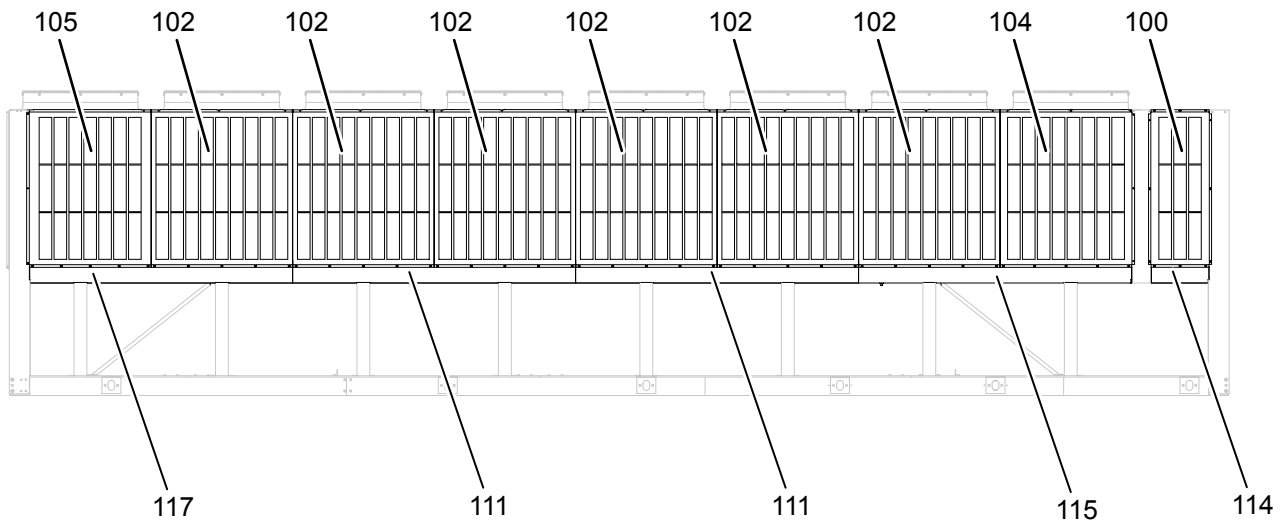
LD17450

FIGURE 70 - LOUVERED ENCLOSURE (COND. ONLY) MODEL 0345/1215

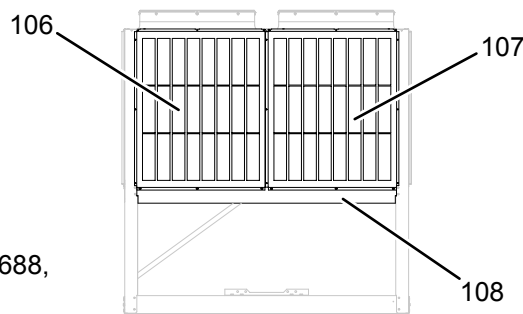
RIGHT SIDE VIEW



LEFT SIDE VIEW



BACK VIEW

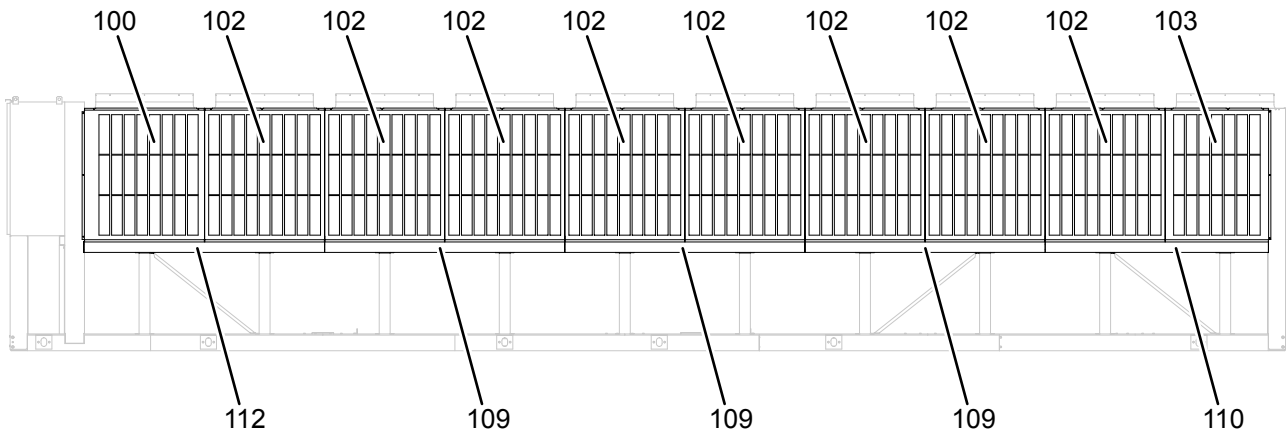


MODELS 0153/0543 - 0198/0688,
0213/0743 - 0295/1015,
0303/1093, 0323/1143

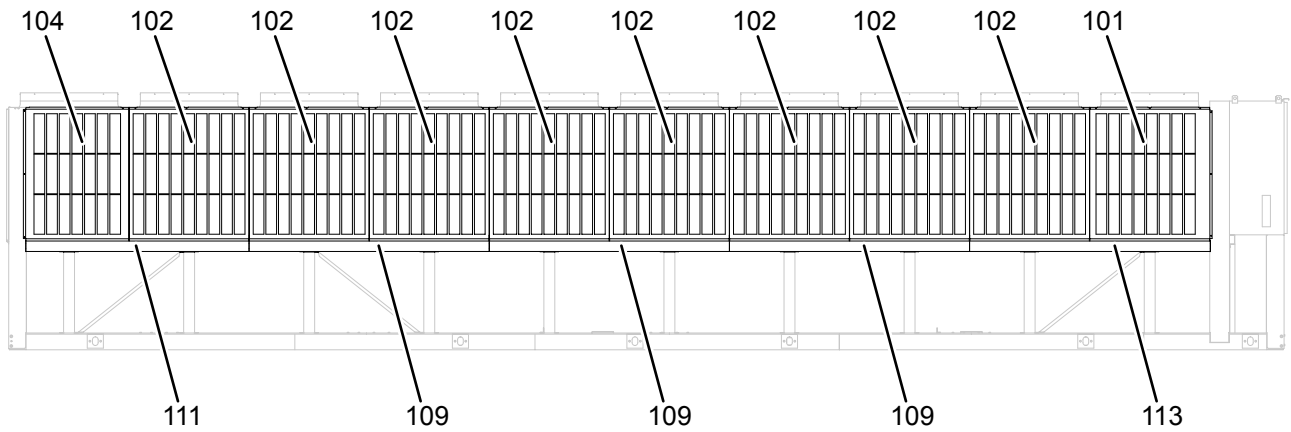
LD17451

**FIGURE 71 - LOUVERED ENCLOSURE (COND. ONLY) MODEL 0165/0565 - 0198/0688,
0213/0743 - 0278/0988, 0323/1143**

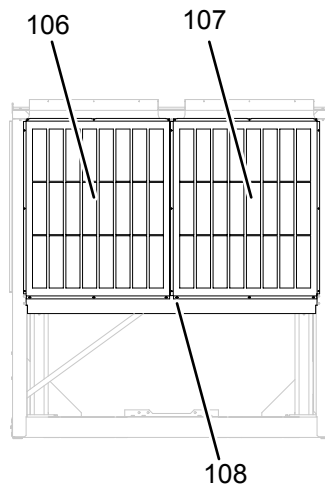
RIGHT SIDE VIEW



LEFT SIDE VIEW



BACK VIEW

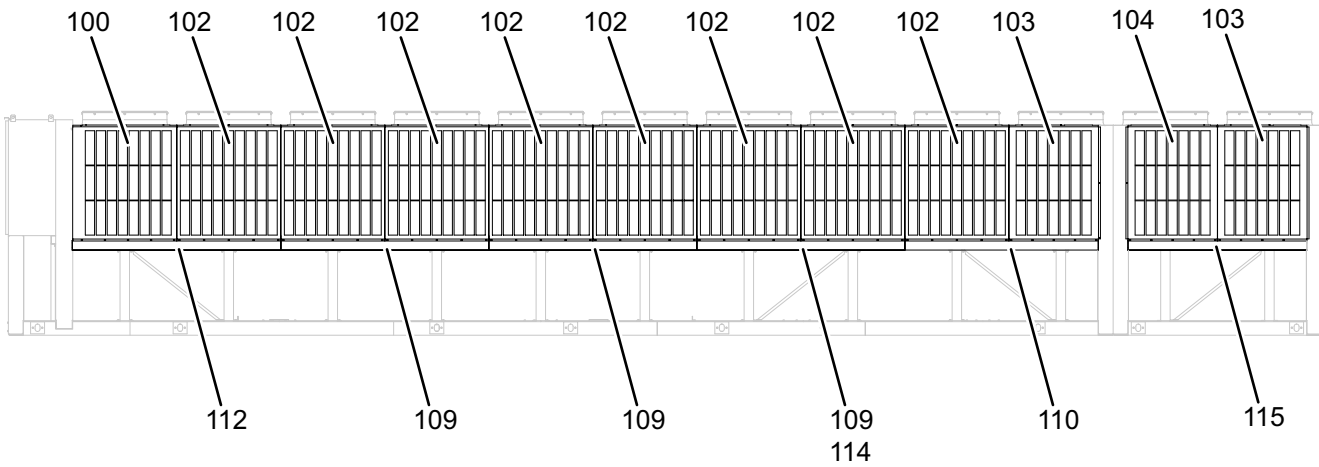


Models 0305/1065, 0308/1088,
0318/1188, 0333/1173, 0343/1193,
0373/1343, 0375/1315, 0413/1443,
0500/1700

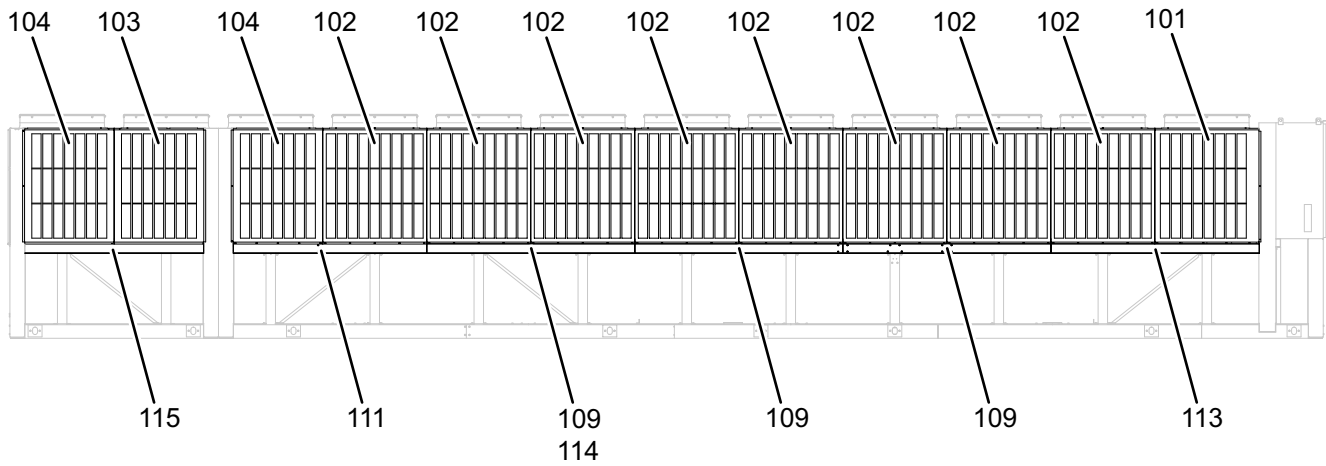
LD17465

FIGURE 72 - LOUVERED ENCLOSURE (COND. ONLY) MODEL 0373/1343, 0375/1315, 0413/1443, 0500/1700

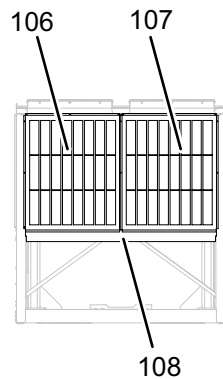
RIGHT SIDE VIEW



LEFT SIDE VIEW



BACK VIEW

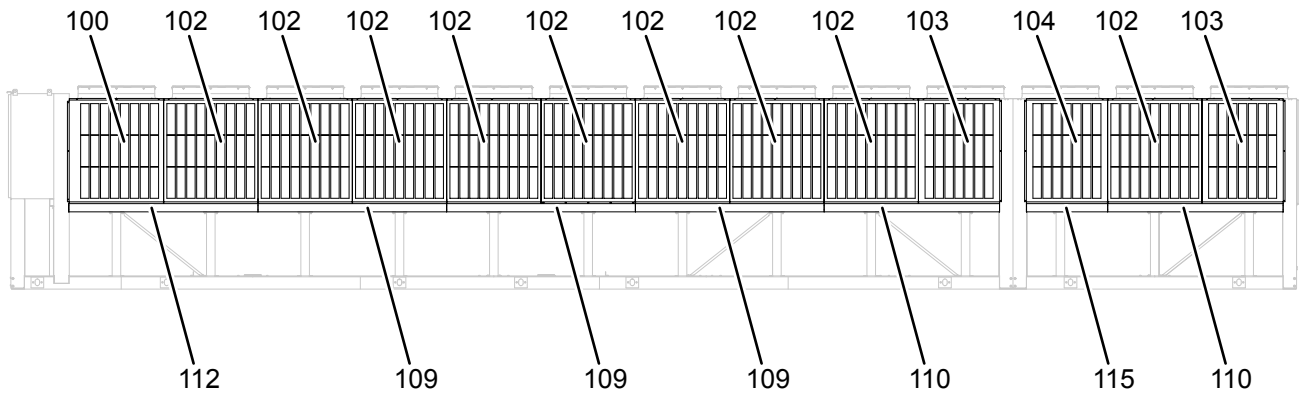


Models 0368/1288, 0398/1388,
0425/1515, 0443/1543

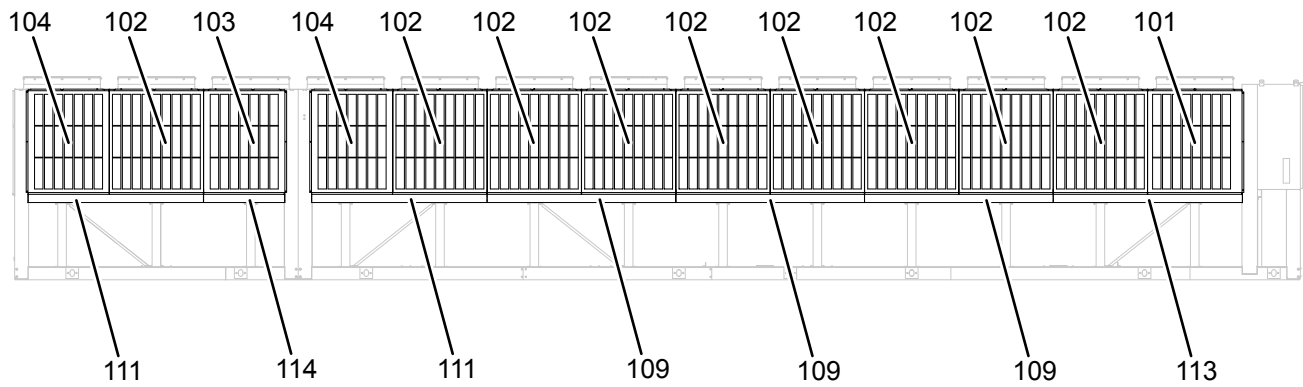
LD17466

FIGURE 73 - LOUVERED ENCLOSURE (COND. ONLY) MODEL 0368/1288, 0398/1388, 0425/1515, 0443/1543

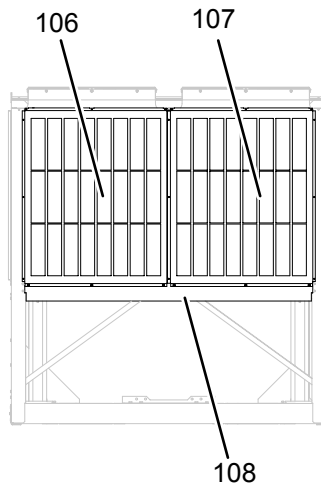
RIGHT SIDE VIEW



LEFT SIDE VIEW



BACK VIEW



Models 0428/1488, 0475/1665,
0483/1693, 0523/1843

LD17467

FIGURE 74 - LOUVERED ENCLOSURE (COND. ONLY) MODEL 0428/1488, 0475/1665, 0483/1693, 0523/1843

TABLE 58 - END LOUVER (HAIL GUARD)

ITEM	MODEL	DESCRIPTION	PART NUMBER	QUANTITY	FIGURE
---	0153/0543 thru 0278/0988	End Louver (Hail Guard) Panel Enclosure Kit	375-93243-000	---	*
---	0295/1015 thru 0345/1215	End Louver (Hail Guard) Panel Enclosure Kit	375-93243-001	---	*
---	0373/1343. 0375/1315	End Louver (Hail Guard) Panel Enclosure Kit	375-93243-002	---	*
---	0398/1388, 0425/1515	End Louver (Hail Guard) Panel Enclosure Kit	375-93243-004	---	*
106	ALL	Panel, Enclosure	075-93275-007	1	75
107	ALL	Panel, Enclosure	075-93275-008	1	75
108	ALL	Rail, Support	075-84415-000	1	75
109	ALL	V-Panel, Louvers	075-94038-005	1	75
110	0153/0543 thru 0278/0988	V-Panel, Louvers	075-94038-006	1	75
	0295/1015 thru 0345/1215		075-94038-006	2	
	0373/1343. 0375/1315		075-94038-006	3	
	0398/1388, 0425/1515		075-94038-006	4	
111	0153/0543 thru 0278/0988	Gasket, Neoprene, 1/2 X 1 X Roll	028-11838-000	2	75
	0295/1015 thru 0345/1215, 0373/1343. 0375/1315		028-11838-000	3	
	0398/1388, 0425/1515		028-11838-000	4	
112	0153/0543 thru 0278/0988	Bracket	075-94037-000	2	75
	0295/1015 thru 0345/1215, 0373/1343. 0375/1315		075-94037-000	3	
	0398/1388, 0425/1515		075-94037-000	4	

NOTE: Items with an * are NOT represented.

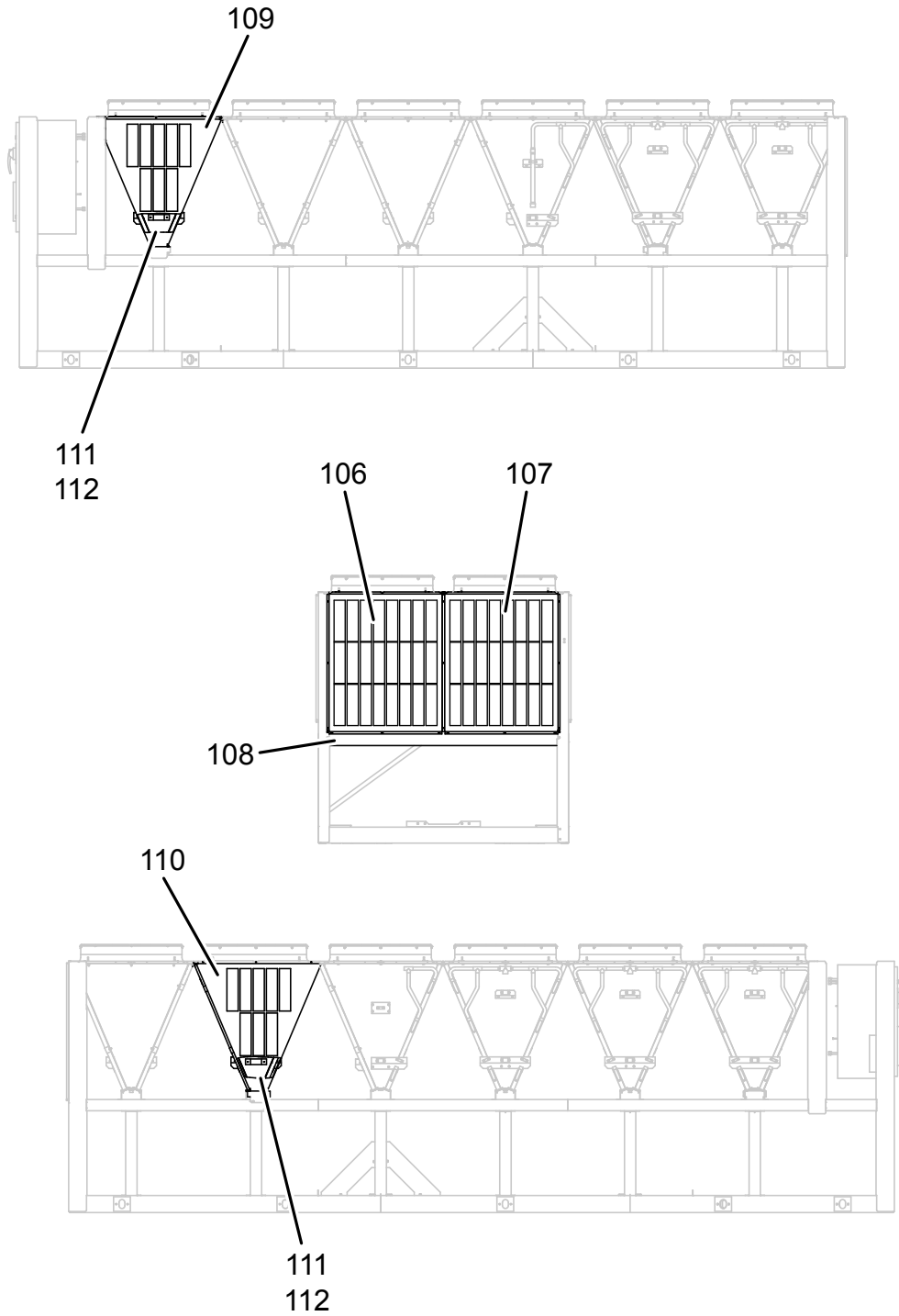
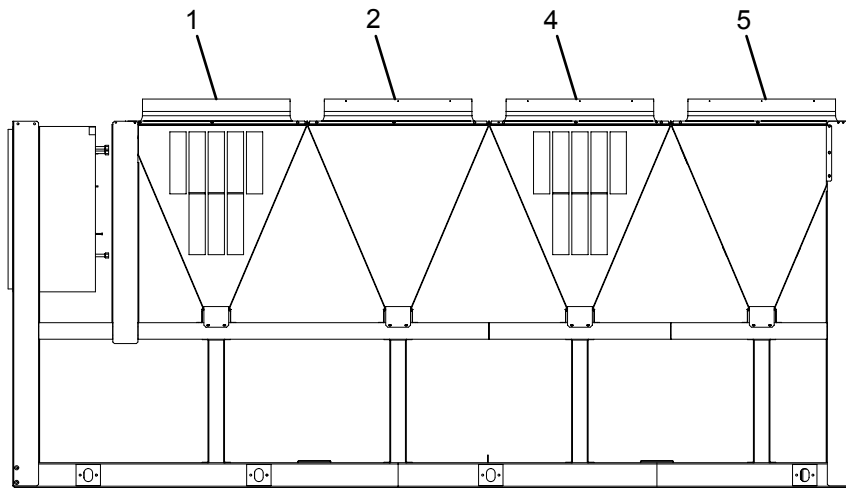


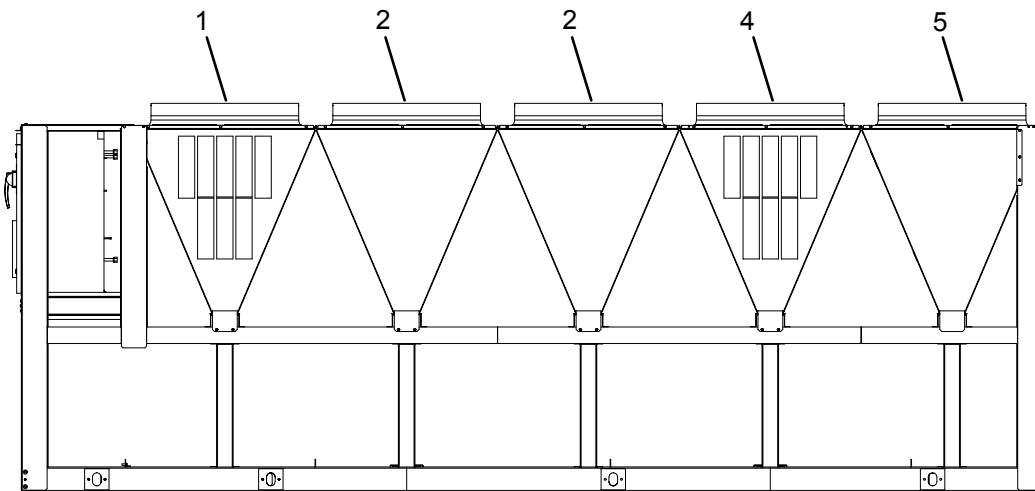
FIGURE 75 - END LOUVER (HAIL GUARD) PANEL ENCLOSURE KIT COMPONENTS

TABLE 59 - V-GUARD (ONLY) PANEL ENCLOSURES

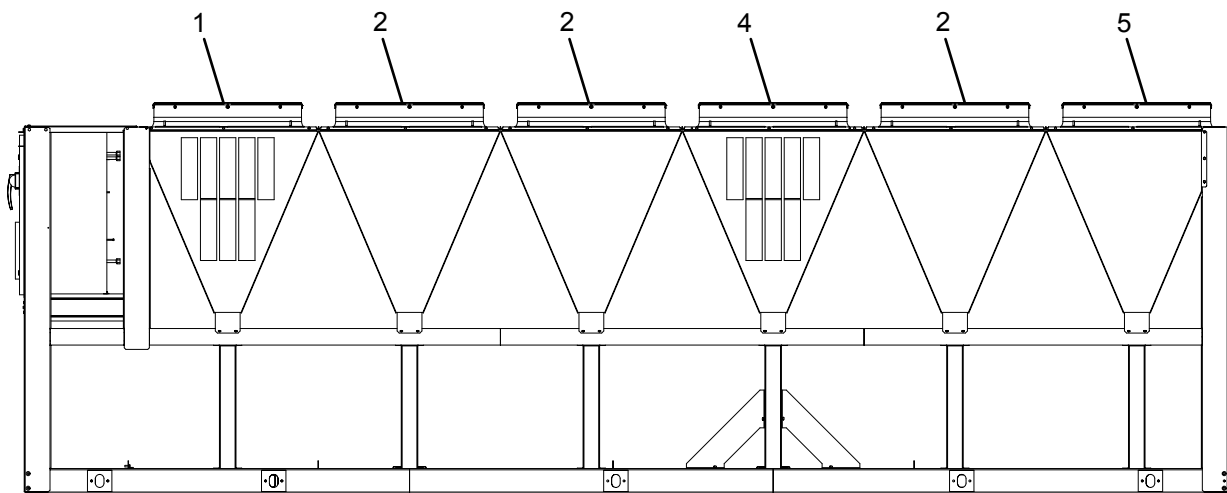
ITEM	MODELS	DESCRIPTION	PART NUMBER	SAP	FIGURE
1	0153/0543, 0165/0565, 0183/0643 - 0345/1215	V-Guard Kit	392-03569-001	832618	76
		Aesthetic Vee Panel	075-94038-009	832614	
		V-Guard Panel Louvers	075-94038-012	832616	
		Bracket	075-94037-003	832610	
		Bracket	075-94037-004	832611	
		Edging, Rubber	028-16682-001	850313	
2	ALL	V-Guard Kit	392-03569-002	832619	76
		Aesthetic V-Guard Panel	075-94038-008	832613	
		Bracket	075-94037-003	832610	
		Bracket	075-94037-004	832611	
		Gasket Neoprene 1/2 X 1 X Roll	028-11838-000	741665	
3	0218/0788 - 0245/0765, 0263/0963, 0275/0965, 0295/1015, 0303/1093, 0333/1173, 0343/1193	V-Guard Kit	392-03569-003	832620	76
		Aesthetic V-Guard Panel	075-94038-008	832613	
		Bracket	075-94037-004	832611	
		Bracket	075-94037-003	832610	
4	ALL	V-Guard Kit	392-03569-004	832621	76
		V-Guard Panel Louvers	075-94038-013	832617	
		Aesthetic Vee Panel	075-94038-008	832613	
		Bracket	075-94037-003	832610	
		Bracket	075-94037-004	832611	
		Gasket Neoprene 1/2 X 1 X Roll	028-11838-000	741665	
5	ALL	V-Guard Kit	392-03569-005	832622	76
		Aesthetic V- Guard Panel	075-94038-011	832615	
		Aesthetic V-Guard Panel	075-94038-007	832612	
		Bracket	075-94037-003	832610	
		Bracket	075-94037-004	832611	
		Gasket Neoprene 1/2 X 1 X Roll	028-11838-000	741665	
8	0368/1288, 0443/1543, 0475/1665, 0483/1693, 0523/1843	V-Guard Kit	392-03569-008	997879	76
		Aesthetic V-Guard Panel	075-94038-011	832615	
		Aesthetic V-Guard Panel	075-94038-007	832612	
		Bracket	075-94037-003	832610	
		Bracket	075-94037-004	832611	
		Gasket Neoprene 1/2 X 1 X Roll	028-11838-000	741665	



0153/0543, 0200/0700



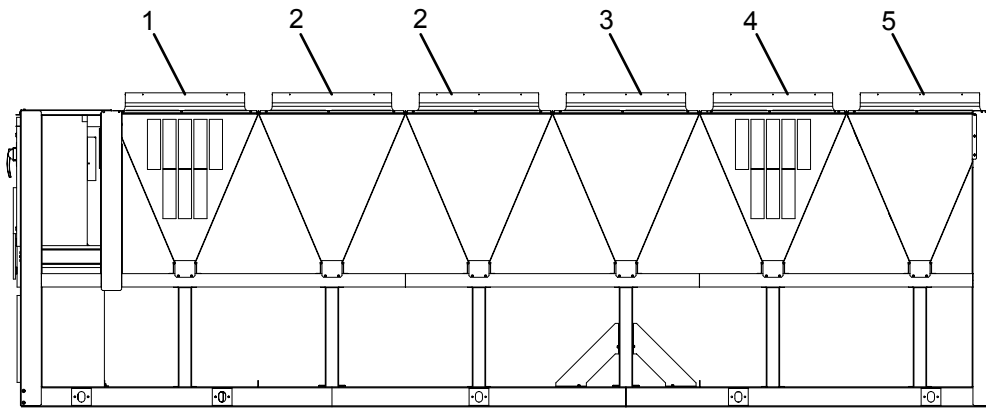
0165/0565, 0183/0643



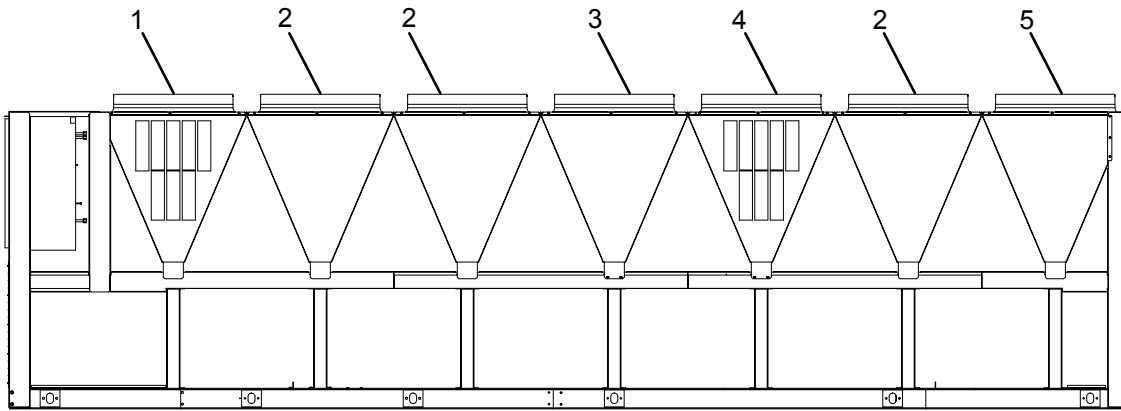
0178/0588, 0195/0665, 0213/0743, 0215/0765

LD17436

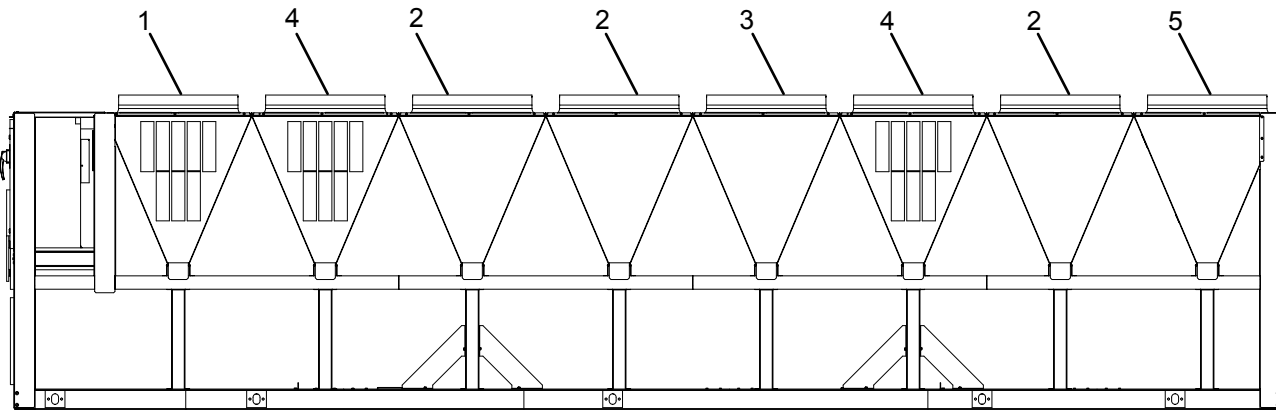
FIGURE 76 - V-GUARD PANEL ENCLOSURES



0233/0843

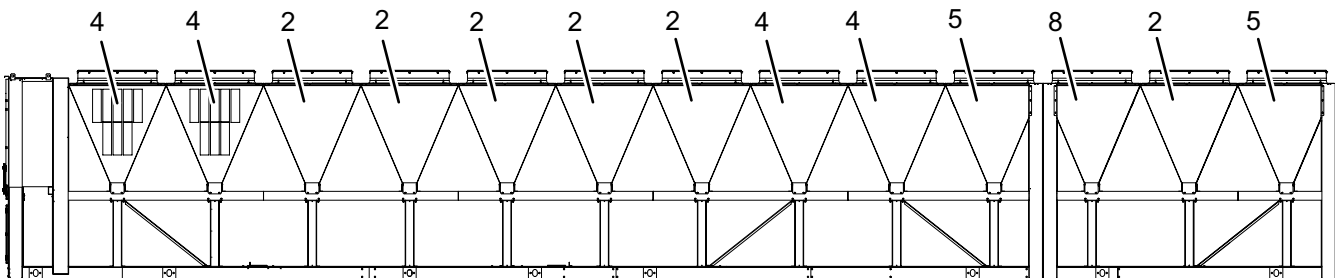


0198/0688, 0218/0788, 0245/0865, 0263/0943, 0273/0963, 0275/0965



0248/0888, 0295/1015 - 0345/11215, 0373/1343 - 0428/1488, 0443/1543, 0500/1700

LD17437



0368/1288, 0443/1543, 0475/1665, 0483/1693, 0523/1843

LD17437a

FIGURE 76 - V-GUARD PANEL ENCLOSURES (CONT'D)

TABLE 60 - V-GUARD PLUS HAIL GUARD

MODEL	FANS	PART NUMBERS	
		V-GUARD ONLY	V-GUARD AND HAIL GUARD
0153/0543, 0200/0700	8	392-07087-021	375-93243-000
0165/0565, 0183/0643	10	392-07087-022	375-93243-000
0178/0588, 0195/0665, 0213/0743, 0215/0765	12	392-07087-023	375-93243-000
0233/0843	12	392-07087-024	375-93243-000
0218/0788, 0245/0865, 0263/0943, 0275/0965	14	392-07087-025	375-93243-000
0198/0688, 0273/0963	14	392-07087-030	375-93243-000
0248/0888, 0295/1015 - 0523/1843	16	392-07087-032	375-93243-000

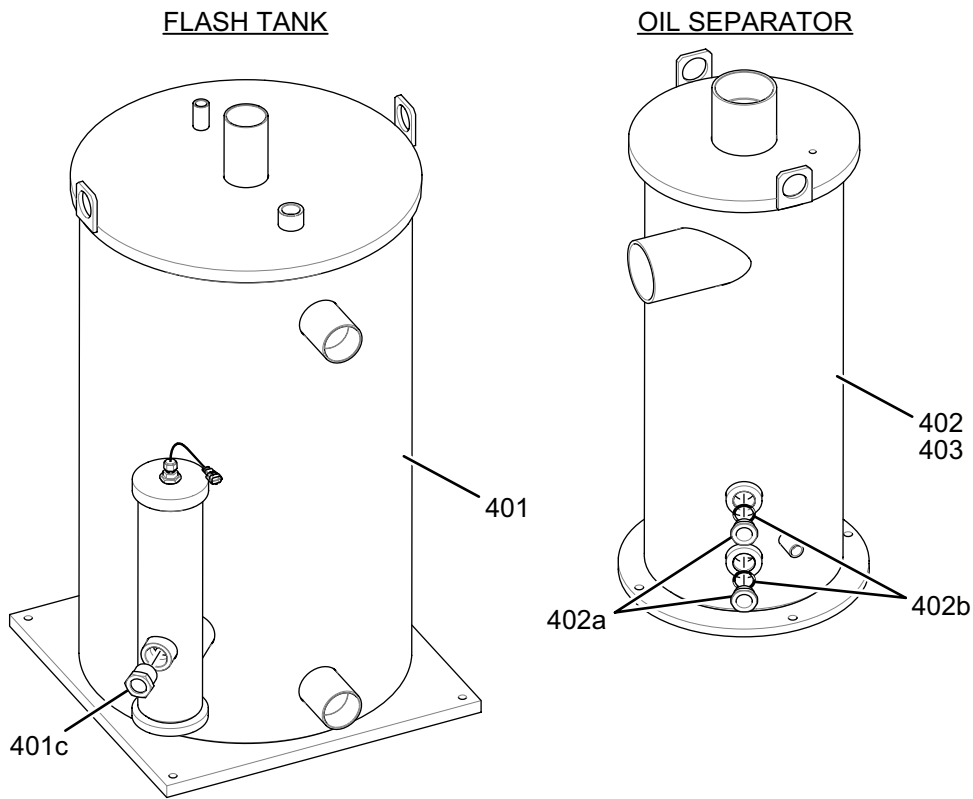
TABLE 61 - FLASH TANK OIL SEPARATOR

ITEM	MODEL	DESCRIPTION	PART NUMBER	SAP NUMBER	QTY	FIGURE
OIL SEPARATOR / FLASH TANK (ASME)						
401	0153/0543, 0165/0565, 0183/0643 – 0198/0688, 0213/0743, 0233/0843, 0263/0943,	Tank Flash 14" O.D	375-79551-000	794109	2	77
A		Ins Therm 1-1/8 Id X 1/2	010-02841-000	616553	2.4	
B		Ins Therm 2-1/8 Id X 1/2	010-02842-000	728785	0.54	
C		Plug Sight 1-11-1/2 Npte	026-17581-000	740685	2	
401	0178/0588, 0200/0700, 0215/0765, 0218/0788, 0245/0865, 0248/0888, 0273/0963 – 0523/1843,	Tank Flash 18" O.D	375-89884-000	669993	2	77
A		Ins Therm 1-1/8 Id X 1/2	010-02841-000	616553	2.4	
B		Ins Therm 2-1/8 Id X 1/2	010-02842-000	728785	0.54	
C		Plug Sight 1-11-1/2 Npte	026-17581-000	740685	2	
402	0153/0543 – 0178/0588	Oil Separator 8" O.D.	375-93290-000	798683	2	77
A		Plug, Sight Glass	026-46487-000	574772	2	
B		O-Ring, Hnbr	028-16331-000	618766	2	
402	0183/0643 – 0198/0688	Oil Separator 10" O.D.	375-79591-000	571177	1	77
A		Plug, Sight Glass	026-46487-000	574772	2	
B		O-Ring, Hnbr	028-16331-000	618766	2	
402	0200/0700 – 0278/0988	Oil Separator 10" O.D.	375-79591-000	571177	2	77
A		Plug, Sight Glass	026-46487-000	574772	2	
B		O-Ring, Hnbr	028-16331-000	618766	2	
402	0295/1015 – 0318/1188, 0373/1343	Oil Separator 14" O.D.	375-89951-000	796833	1	77
A		Plug, Sight Glass	026-46487-000	574772	2	
B		O-Ring, Hnbr	028-16331-000	618766	2	
402	0323/1143 – 0345/1215, 0413/1443 – 0523/1843	Oil Separator 14" O.D.	375-89951-000	796833	2	77
A		Plug, Sight Glass	026-46487-000	574772	2	
B		O-Ring, Hnbr	028-16331-000	618766	2	
403	0183/0643 – 0198/0688	Oil Separator 8" O.D.	375-93290-000	798683	1	77
A		Plug, Sight Glass	026-46487-000	574772	2	
B		O-Ring, Hnbr	028-16331-000	618766	2	
403	0295/1015 – 0318/1188, 0373/1343	Oil Separator 10" O.D.	375-79591-000	571177	1	77
A		Plug, Sight Glass	026-46487-000	574772	2	
B		O-Ring, Hnbr	028-16331-000	618766	2	

TABLE 61 - FLASH TANK OIL SEPARATOR (CONT'D)

ITEM	MODEL	DESCRIPTION	PART NUMBER	SAP NUMBER	QTY	FIGURE
OIL SEPARATOR / FLASH TANK (PED)						
401	0153/0543, 0165/0565, 0183/0643 – 0198/0688, 0213/0743, 0233/0843, 0263/0943	Flash Tank 14" O.D.	375-79551-990	794111	2	77
A		Ins Therm 1-1/8 Id X 1/2	010-02841-000	616553	2.4	
B		Ins Therm 2-1/8 Id X 1/2	010-02842-000	728785	0.54	
C		Plug Sight 1-11-1/2 Npte	026-17581-000	740685	2	
401	0178/0588, 0200/0700, 0215/0765, 0218/0788, 0245/0865, 0248/0888, 0273/0963 – 0523/1843	Flash Tank 18" O.D.	375-89884-990	796788	2	77
A		Ins Therm 1-1/8 Id X 1/2	010-02841-000	616553	2.4	
B		Ins Therm 2-1/8 Id X 1/2	010-02842-000	728785	0.54	
C		Plug Sight 1-11-1/2 Npte	026-17581-000	740685	2	
402	0153/0543 – 0178/0588	Oil Separator 8" O.D.	375-93290-990	798684	2	77
A		Plug, Sight Glass	026-46487-000	574772	2	
B		O-Ring, Hnbr	028-16331-000	618766	2	
402	0183/0643 – 0278/0988	Oil Separator 10"O.D.	375-79591-990	794176	1	77
A		Plug, Sight Glass	026-46487-000	574772	2	
B		O-Ring, Hnbr	028-16331-000	618766	2	
402	0295/1015 – 0523/1843	Oil Separator 14"O.D.	375-89951-990	796834	1	77
A		Plug, Sight Glass	026-46487-000	574772	2	
B		O-Ring, Hnbr	028-16331-000	618766	2	
403	0183/0643 – 0198/0688	Oil Separator 8" O.D.	375-93290-990	798684	1	77
A		Plug, Sight Glass	026-46487-000	574772	2	
B		O-Ring, Hnbr	028-16331-000	618766	2	
403	0295/1015 – 0318/1188, 0373/1343	Oil Separator 10"O.D.	375-79591-990	794176	1	77
A		Plug, Sight Glass	026-46487-000	574772	2	
B		O-Ring, Hnbr	028-16331-000	618766	2	

NOTE: Items with an * are NOT represented.



LD17288

FIGURE 77 - FLASH TANK / OIL SEPARATOR

TABLE 62 - PRESSURE RELIEF

ITEM	MODEL	DESCRIPTION	PART NUMBER	SAP NUMBER	QTY	FIGURE
1	0153/0543, 0165/0565, 0183/0643 - 0198/0688, 0233/0843, 0263/0943	Valve Relief 1/2 Npte X 5/8	022-11312-000	556326	2	78
	0178/0588, 0200/0700, 0215/0765 - 0523/1843	Safety 16.2Bar Od 12.7Mm / 1/2In Thread	022-12371-000	838082	2	
2	ALL	Tube, Relief Valve Dxst	375-30919-000	776577	2	78
3	ALL	Valve Relief 3/8 Npte X 1/2	022-12045-000	731485	4	78
4	ALL	Tube Relief Valve Dxst	375-37978-000	410839	4	78
6	0178/0588, 0200/0700, 0215/0765 - 0345/1215	Connr 5/8 Ext Fla X 1/2	023-02761-000	731677	1	78
	0373/1343 - 0523/1843	Connr 5/8 Ext Fla X 1/2	023-02761-000	731677	2	

NOTE: Items with an * are NOT represented.

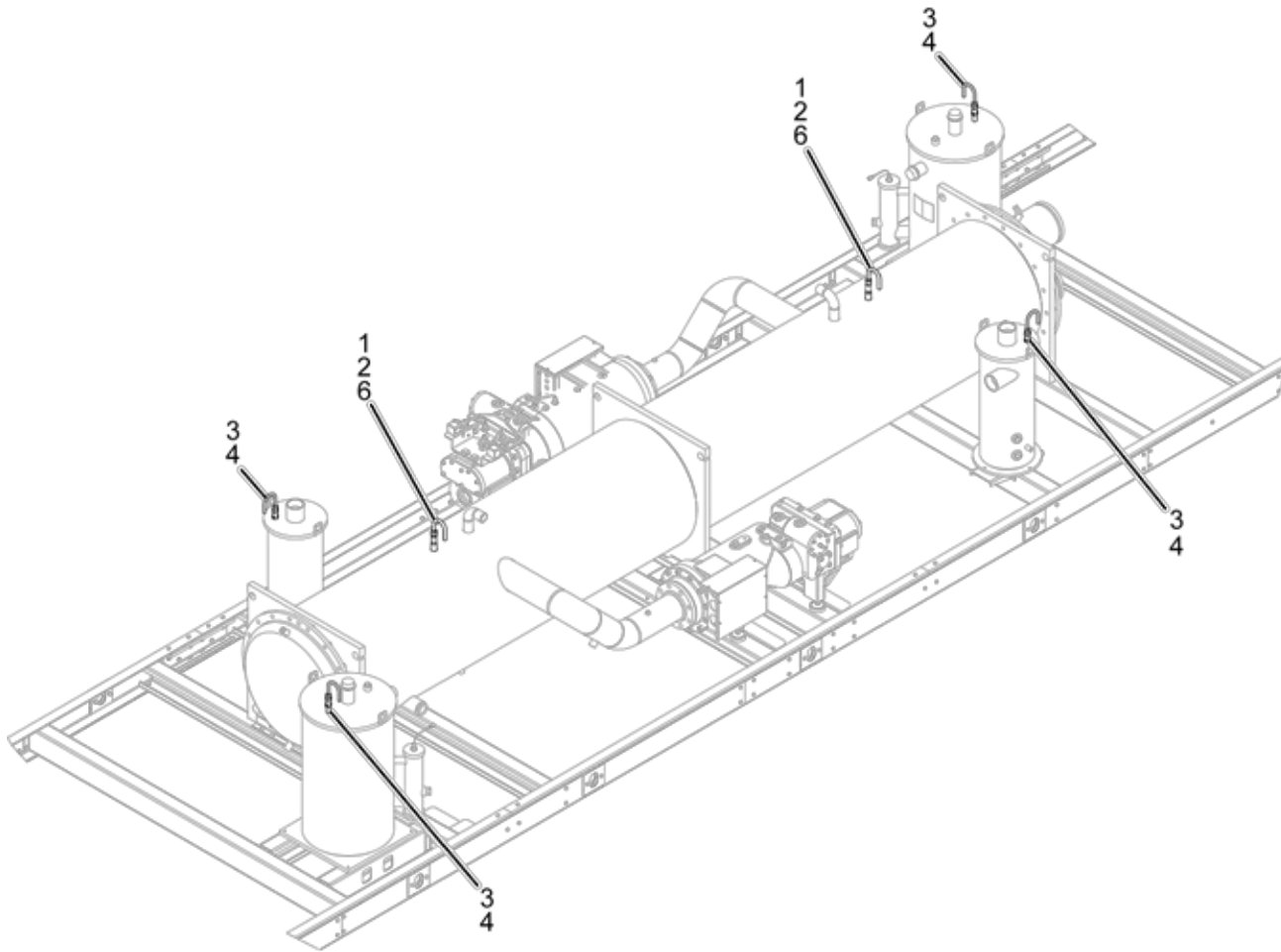


FIGURE 78 - PRESSURE RELIEF

TABLE 63 - PRESSURE SWITCH COMPONENTS

ITEM	Pin 47 =	MODEL	DESCRIPTION	PART NUMBER	SAP NUMBER	QTY
	A	0153/0543 - 0345/1215	Pressure Switch UI Listing	375-66947-001	787001	1
1		0153/0543 - 0345/1215	Wiring Harness High Press	592-07169-208	808830	1
2			Wiring Harness High Press	592-07169-209	808831	1
3			Grommet, Blind Type .875 Dia	028-15804-000	742152	2
	A	0373/1343 - 0523/1843	Pressure Switch UI Listing Assy	392-07129-000	878676	1
1		0373/1343 - 0523/1843	Sys. #1 Hpco Harness	575-77880-754	878693	1
2			Sys. #2 Hpco Harness	575-77880-755	878694	1
3			Grommet, Blind Type .875 Dia	028-15804-000	742152	2
	E	0153/0543 - 0345/1215	Pressure Switch Ce Ped	375-94077-990	678494	1
1		0153/0543 - 0345/1215	Fitting, 37 Deg. Flared Tube	023-25414-000	699734	2
2			Tube High Pressure Cutout	075-94078-000	678207	2
3			Bulkhead, 37 Deg. Flared Tube	023-25415-000	734207	2
4			Bracket Press Switch Mtg	075-94076-000	678208	2
5			Tee 1/4 X 1/4 Ext Fla X	023-00972-000	371710	2
6			Manual Reset High Pressure	025-44464-000	678497	2
7			High Press Switch W/Internal	025-44465-000	678498	2
8			Harn. Dual Hpco 1-Fhp1	575-77880-264	808453	1
9			Harn. Dual Hpco 1-Fhp2	575-77880-265	808454	1
10			Harn. Dual Hpco 2-Fhp1	575-77880-266	808455	1
11			Harn. Dual Hpco 2-Fhp2	575-77880-267	808456	1
12			Screw Cap Hex Hd 16 X 2.6G	021-19179-000	730391	8
13			Washer Plain 11/16 Id X 1-3/4	021-16142-000	729906	8
14			Dual Hpco Jumper	575-77880-263	808452	2
16			Nut Flare Hydraulic 1/4 Od	023-09670-000	146787	2
17			Sleeve Flare Hydraulic 1/4 Od	023-10000-000	146748	2
	E	0373/1343 - 0523/1843	Pressure Switch Assy Ce Ped	375-94077-992	878669	1
1		0373/1343 - 0523/1843	Fitting, 37 Deg. Flared Tube	023-25414-000	699734	2
2			Tube High Pressure Cutout	092-12438-000	878666	2
3			Bulkhead, 37 Deg. Flared Tube	023-25415-000	734207	2
4			Bracket Press Switch Mtg	075-94076-000	678208	2
5			Tee 1/4 X 1/4 Ext Fla X	023-00972-000	371710	2
6			Manual Reset High Pressure	025-44464-000	678497	2
7			High Press Switch W/Internal	025-44465-000	678498	2
8			Harness Dual Hpco 1-Fhp1	575-77880-448	878691	1
9			Harn. Dual Hpco 1-Fhp2	575-77880-265	808454	1
10			Harness Dual Hpco 1-Fhp1	575-77880-449	878692	1
11			Harn. Dual Hpco 2-Fhp2	575-77880-267	808456	1
12			Screw Cap Hex Hd 16 X 2.6G	021-19179-000	730391	8
13			Washer Plain 11/16 Id X 1-3/4	021-16142-000	729906	8
14			Dual Hpco Jumper	575-77880-263	808452	2
16			Nut Flare Hydraulic 1/4 Od	023-09670-000	146787	2
17			Sleeve Flare Hydraulic 1/4 Od	023-10000-000	146748	2

NOTE: Items with an * are NOT represented.

TABLE 64 - WELD VICTAULIC FLANGE

ITEM	PIN 45 =	MODEL	DESCRIPTION	PART NUMBER	SAP NUMBER	QTY
PIN 48 = 2						
1	F, V	0153/0543 - 0273/0963, 0303/1093, 0305/1065, 0333/1173	Kit, Victaulic Flange	023-19049-000	116351	1
		0275/0965 - 0295/1015, 0308/1088 - 0323/1143, 0343/1193 - 0523/1843	Kit, Victaulic Flange	023-19046-000	431791	1
2	F, M, W	0153/0543 - 0273/0963, 0303/1093, 0305/1065, 0333/1173	Kit, Flange & Companion	375-94056-060	799067	1
			Flange Rd Rf 150# S/O 6.00"	023-02360-000	146818	2
			Container Rsc 12 X 12 X 7	028-17474-006	742288	1
			Dwg-Kit Flange & Instr. 10"	075-56104-000	753349	1
2	F, M, W	0275/0965 - 0295/1015, 0308/1088 - 0323/1143, 0343/1193 - 0523/1843	Kit, Flange & Companion	375-56103-000	782347	1
			Flange Rd Rf 150# S/O 8.00"	023-02366-000	146819	2
			Container Rsc 12 X 12 X 7	028-17474-006	742288	1
			Dwg-Kit Flange & Instr. 8" 150	075-56103-000	753348	1
Pin 48 = 1						
1	F, V	0153/0543 - 0178/0588, 0198/0688, 0200/0700, 0215/0765 - 0273/0693, 0303/1093, 0305/1065, 0333/1173	Kit, Victaulic Flange	023-19046-000	431791	1
		0183/0643, 0195/0665, 0213/0743	Kit, Victaulic Flange	023-19049-000	116351	1
		0275/0965 - 0295/1015, 0308/1088, 0318/1188, 0323/1143, 0343/1193 - 0523/1843	Kit, Victaulic Flange 150#	023-19201-000	733083	1
2	F, M, W	0153/0543 - 0178/0588, 0198/0688, 0200/0700, 0215/0765 - 0273/0693, 0303/1093, 0305/1065, 0333/1173	Kit, Flange & Companion	375-56103-000	782347	1
			Flange Rd Rf 150# S/O 8.00"	023-02366-000	146819	2
			Container Rsc 12 X 12 X 7	028-17474-006	742288	1
			Dwg-Kit Flange & Instr. 8" 150	075-56103-000	753348	1
2	F, M, W	0183/0643, 0195/0665, 0213/0743	Kit, Flange & Companion	375-94056-060	799067	1
			Flange Rd Rf 150# S/O 6.00"	023-02360-000	146818	2
			Container Rsc 12 X 12 X 7	028-17474-006	742288	1
			Dwg-Kit Flange & Instr. 10"	075-56104-000	753349	1
2	F, M, W	0153/0543 - 0178/0588, 0198/0688, 0200/0700, 0215/0765 - 0273/0693, 0303/1093, 0305/1065, 0333/1173	Kit, Flange & Companion	375-56104-000	782349	1
			Flange Rd Rf 150# S/O 10.00"	023-02336-000	731563	2
			Container Rsc 12 X 12 X 7	028-17474-006	742288	1
			Dwg-Kit Flange & Instr. 10"	075-56104-000	753349	1
Pin 48 = 3						

TABLE 64 - WELD VICTAULIC FLANGE (CONT'D)

ITEM	PIN 45 =	MODEL	DESCRIPTION	PART NUMBER	SAP NUMBER	QTY
1	F, V	0153/0543, 0165/0565, 0183/0643, 0195/0665, 0198/0688, 0213/0743, 0233/0843, 0263/0943	Kit, Victaulic Flange	023-24297-000	733907	1
		0178/0588, 0200/0700, 0215/0765, 0218/0788, 0245/0865, 0248/0888, 0273/0963 - 0523/1843	Kit, Victaulic Flange	023-19049-000	116351	1
2	F, M, W	0153/0543, 0165/0565, 0183/0643, 0195/0665, 0198/0688, 0213/0743, 0233/0843, 0263/0943	Kit, Flange & Companion	392-07115-000	858328	1
Flange Rd Rf 150# S/O 5.00"			023-02359-000	116156	2	
Container Rsc 12 X 12 X 7			028-17474-006	742288	1	
Dwg-Kit Flange & Instr. 10"			075-56104-000	753349	1	
2	F, M, W	0178/0588, 0200/0700, 0215/0765, 0218/0788, 0245/0865, 0248/0888, 0273/0963 - 0523/1843	Kit, Flange & Companion	375-94056-060	799067	1
Flange Rd Rf 150# S/O 6.00"			023-02360-000	146818	2	
Container Rsc 12 X 12 X 7			028-17474-006	742288	1	
Dwg-Kit Flange & Instr. 10"			075-56104-000	753349	1	

NOTE: Items with an * are NOT represented.

TABLE 65 - SINGLE POINT WIRING OPTION KIT

ITEM	PIN 17 =	DESCRIPTION	PART NUMBER	SAP	QUANTITY	FIGURE
1	S, B, N	Single Point Wrg Asm	375-61599-000	784138	1	79
A		Wrapper Asm Spw Kit	375-61596-001	784135	1	
		Wrapper Spw Box	075-61596-000	754761	1	
B		Cover, Btm Asm Spw Kit	375-61597-001	784136	1	
		Cover Btm Spw Box	075-61597-000	754762	1	
		Strip 1/4 X 1 X Roll:	028-08359-000	741511	3	
C		Cover, Top Asm Spw Kit	375-61598-001	784137	1	
		Cover Top Spw Box	075-61598-000	754763	1	
		Strip 1/4 X 1 X Roll:	028-08359-000	741511	5	
D		Kit Terminals Mustang Drive	371-04523-101	772743	1	
		Channel Glastiv Mustang Drive	071-04523-312	749020	1	
		Lug, Elec Four Bbl, Wire	025-40519-000	739846	3	
		Bus Bar Single Point Wiring	071-04523-313	749021	3	
		Plate Studs Terminal Block	371-04460-305	772717	3	
E		Lug, Elec Sgl Bbl, #4-500	025-32835-000	738755	1	
2		S, B, N	Plate Adapter Single Point	371-04523-301	772744	
3	S, B, N	Gasket Auto Trans Mustang	028-15249-000	742108	3	79
9	S	Bus Bar Spw Kit W/Term Blocks	371-04523-001	772739	1	79
A		Bus Bar Single Point Wrg L1&L3	071-04523-305	749013	4	
B		Bus Bar Single Point Wrg L2	071-04523-306	749014	2	
C		Bus Bar Single Point Wrg	071-04523-307	749015	3	
9	B, N	Bus Bar Spw Kit W/Cir Breaker	371-04523-002	772740	1	79
A		Bus Bar Single Point Wrg	071-04523-307	749015	3	
B		Bus Bar Single Point Wrg L1&L3	071-04523-303	749011	4	
C		Bus Bar Single Point Wrg L2	071-04523-304	749012	2	
D		1" Insr Standoff, Glastic	028-15064-000	741968	2	
10	S, B, N	Bracket Single Point Wiring	092-07072-023	1050276	1	79

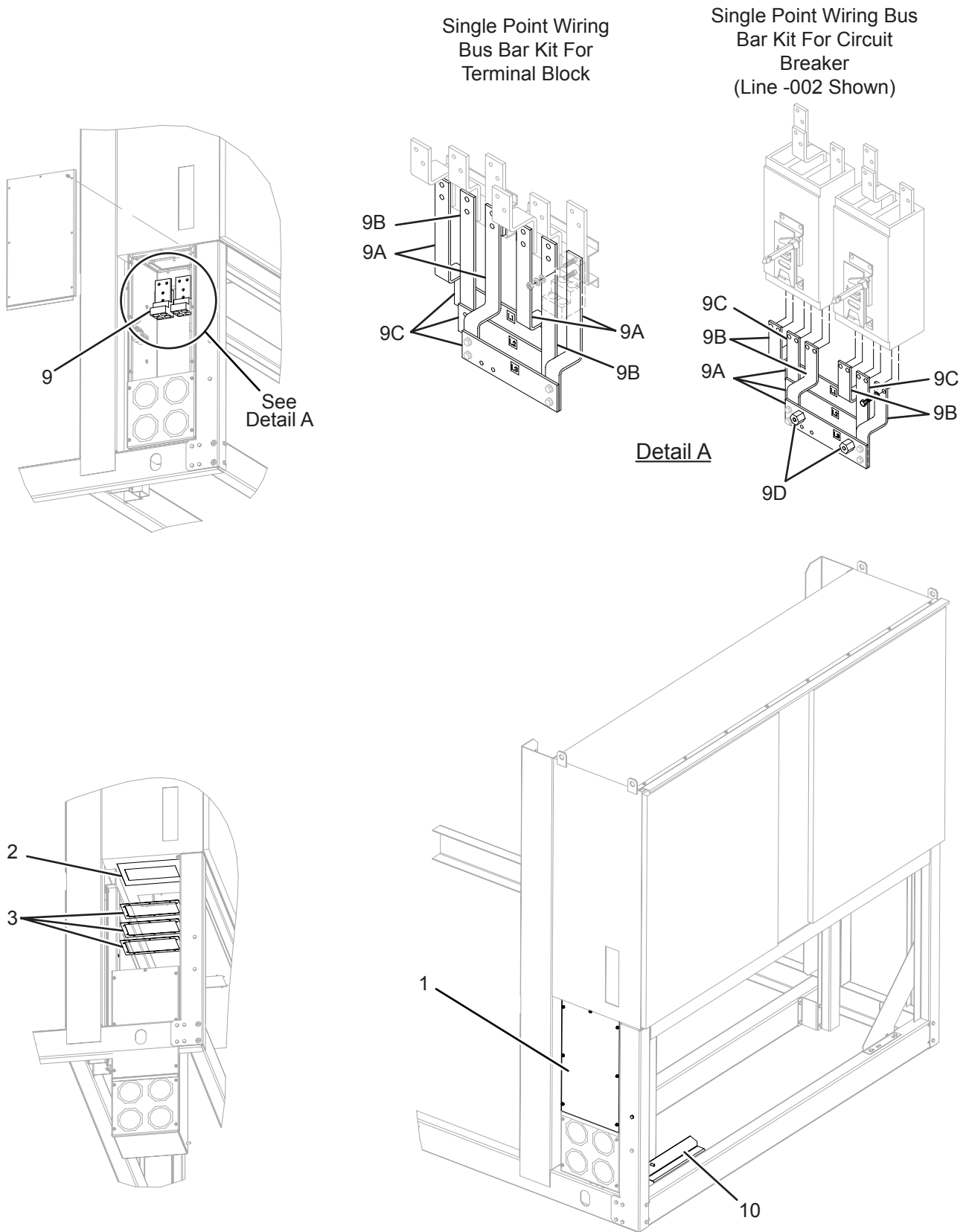


FIGURE 79 - SINGLE POINT WIRING OPTION KIT

LD17464

TABLE 66 - WIRE ENCLOSURE KIT

PIN 54 = X (NO SELECTION) OR E (ECONOMICAL LOW NOISE KITS)			
MODEL	FULL KIT NUMBER	TOP SECTION PART NUMBER	BOTTOM SECTION PART NUMBER
0153/0543	375-93247-000	375-93247-001	375-93247-002
0165/056, 0183/0643	375-93247-010	375-93247-011	375-93247-012
0198/0688, 0218/0788, 0245/0865, 0263/0943, 0273/0963, 0275/0965	375-93247-020	375-93247-031	375-93247-032
0178/0588, 0195/0665, 0213/0743, 0215/0765, 0233/0843,	375-93247-030	375-93247-021	375-93247-022
0248/0888, 0278/0988, 0295/1015, 0303/1093, 0323/1143	375-93247-040	375-93247-041	375-93247-042
0305/1065, 0308/1088, 0333/1173, 0343/1193	392-03482-000	392-03482-001	392-03482-002
0373/1343, 0375/1315, 0413/1443, 0500/1700	392-13710-000	392-13710-001	392-13710-002
0398/1388, 0425/1515, 0443/1543	392-13710-020	392-13710-021	392-13710-022
0428/1488, 0475/1665, 0483/1693, 0523/1843	392-13710-030	392-13710-031	392-13710-032
0318/1188, 0345/1215	375-93247-060	375-93247-061	375-93247-062
0368/1288	392-13710-010	392-13710-011	392-13710-012
0200/0700	392-12861-000	392-12861-001	392-12861-002
PIN 54 = R (LOW NOISE LEVEL 1 KITS)			
MODEL	FULL KIT NUMBER	TOP SECTION PART NUMBER	BOTTOM SECTION PART NUMBER
0153/0543	392-02052-000	392-02052-001	392-02052-002
0165/0565, 0183/0643	392-02040-010	392-02040-011	392-02040-012
0195/0665, 0213/0743, 0233/0843	392-02040-020	392-02040-021	392-02040-022
0198/0688, 0263/0943	392-02040-030	392-02040-031	392-02040-032
0273/0963, 0275/0965	392-02046-030	392-02046-031	392-02046-032
0303/1093	392-04501-040	392-04501-041	392-04501-042
0295/1015, 0323/1143,	392-07713-040	392-07713-041	392-07713-042
0333/1173	392-04507-050	392-04507-051	392-04507-052
0343/1193	392-03491-000	392-03491-001	392-03491-002
373/1343, 0375/1315, 0413/1443, 0425/1515, 0500/1700	392-13712-000	392-13712-001	392-13712-002
0398/138, 0443/1543	392-13712-020	392-13712-021	392-13712-022
0428/1488, 0475/1665, 0483/1693, 0523/1843	392-13712-030	392-13712-031	392-13712-032
0178/0588, 0215/0765	392-02043-020	392-02043-021	392-02043-022
0245/0865	392-03673-030	392-03673-031	392-03673-032
0305/1065	392-07715-060	392-07715-051	392-07715-052
0318/1188, 0345/1215	392-07717-060	392-07717-061	392-07717-062
0218/0788	392-02043-030	392-02043-031	392-02043-032
0248/0888	392-12867-040	392-12867-041	392-12867-042
0278/0988	392-02049-040	392-02049-041	392-02049-042
0308/1088	392-04504-050	392-04504-051	392-04504-052
0368/1288	392-13712-010	392-13712-011	392-13712-012

TABLE 65 - WIRE ENCLOSURE KIT (CONT'D)

PIN 54 = N (LOW NOISE LEVEL 2 KITS)			
MODEL	FULL KIT NUMBER	TOP SECTION PART NUMBER	BOTTOM SECTION PART NUMBER
0153/0543	375-93251-000	375-93251-001	375-93251-002
0165/0565, 0183/0643	375-93251-010	375-93251-011	375-93251-012
0178/0588, 0195/0665, 0213/0743, 0215/0765	392-02031-020	392-02031-021	392-02031-022
0233/0843	375-93251-020	375-93251-021	375-93251-022
0198/0688, 0263/0943	375-93251-030	375-93251-031	375-93251-032
0273/0963, 0275/0965	392-02029-030	392-02029-031	392-02029-032
0303/1093	392-07721-040	392-07721-041	392-07721-042
0323/1143	392-07723-040	392-07723-041	392-07723-042
0305/1065, 0333/1173	392-07881-050	392-07881-051	392-07881-052
0308/1088, 0343/1193	392-07884-050	392-07884-051	392-07884-052
0218/0788, 0245/0865	392-02030-030	392-02030-031	392-02030-032
0295/1015	392-07891-040	392-07891-041	392-07891-042
0345/1215	392-09016-060	392-09016-061	392-09016-062
0248/0888	392-07887-030	392-07887-031	392-07887-032
0278/0988	392-07897-040	392-07897-041	392-07897-042
0318/1188	392-09016-000	392-09016-061	392-09016-062
0200/0700	392-12863-000	392-12863-001	392-12863-002

TABLE 67 - WIRE ENCLOSURE KIT COMPONENTS - TOP

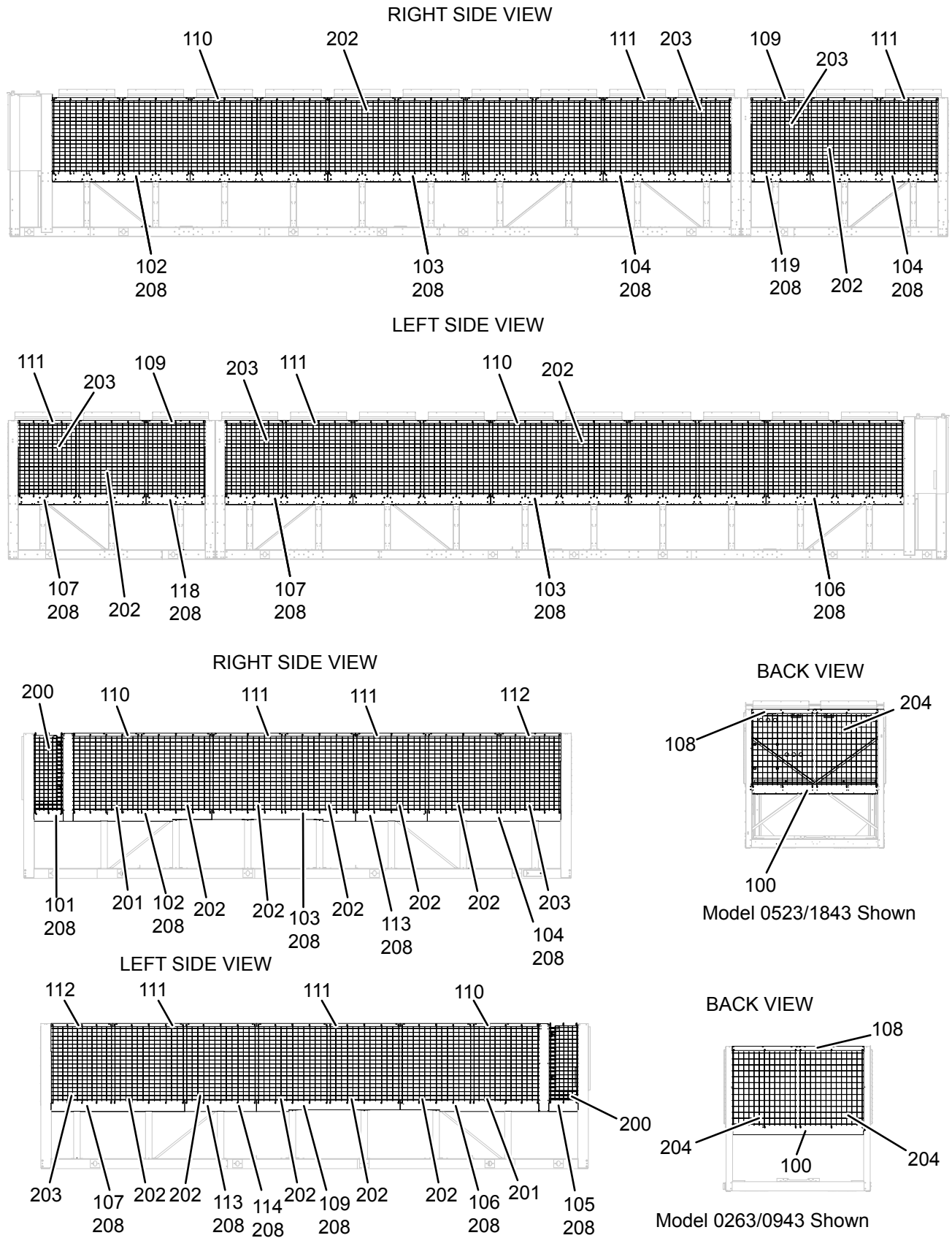
ITEM	MODEL	DESCRIPTION	PART NUMBER	SAP	QUANTITY	FIGURE
100	ALL	Rail Support LVRS	075-84415-000	671299	1	80
101	ALL	Panel Cover Wiring Tray	075-79567-001	671311	1	80
102	ALL	Panel Cover Wiring Tray	075-79568-001	671312	1	80
103	0165/0565 - 0195/0665, 0213/0743, 0215/0765, 0233/0843,	Panel Cover Wiring Tray	075-79569-001	671313	2	80
	0198/0688, 0218/0788, 0245/0865 - 0343/1193, 0368/1288				4	
	0318/1188, 0345/1215, 0373/1343, 0413/1443, 0443/1543 - 0523/1843,				6	
104	0153/0543, 0178/0588, 0195/0665 - 0233/0843, 0305/1065 - 0318/1188, 0333/1173 - 0373/1343, 0413/1443 - 0523/1843,	Panel Cover Wiring Tray	075-79570-003	677261	1	80
	0165/0565, 0183/0643, 0198/0688, 0218/0788, 0245/0865 - 0303/1093, 0323/1143		075-79570-001	671315	1	
105	0153/0543 - 0345/1215,	Panel Cover Wiring Tray	075-79567-002	671316	1	80
106	0153/0543 - 0345/1215	Panel Cover Wiring Tray	075-79568-002	671317	1	80
	0368/1288 - 0523/1843		075-79568-035	946853	1	
107	0153/0543, 0178/0588, 0195/0665, 0200/0700, 0213/0743, 0215/0765, 0233/0843, 0248/0888, 0278/0988, 0295/1015 - 0425/1515, 0443/1543, 0500/1700,	Panel Cover Wiring Tray	075-79570-004	671414	1	80
	0165/0565, 0183/0643, 0198/0688, 0218/0788, 0245/0865, 0263/0943 - 0275/0965,		075-79570-002	671318	1	
	0428/1488, 0475/1665, 0483/1693, 0523/1843,		075-79570-004	671414	2	
108	ALL	Support Grill	075-93336-000	671319	1	80
109	0153/0543 - 0198/0688, 0213/0743 - 0345/1215,	Support Grill	075-93336-001	671320	2	80
	0368/1288, 0398/1388, 0425/1515, 0443/1543		075-93336-009	991663	2	
	0428/1488, 0475/1665, 0483/1693, 0523/1843		075-93336-003	671322	2	

TABLE 66 - WIRE ENCLOSURE KIT COMPONENTS - TOP (CONT'D)

ITEM	MODEL	DESCRIPTION	PART NUMBER	SAP	QUANTITY	FIGURE
110	0165/0565 - 0195/0665, 0213/0743, 0215/0765, 0233/0843	Support Grill	075-93336-002	671321	2	80
	0198/0688, 0218/0788, 0245/0865 - 0308/1088, 0323/1143 - 0343/1193				4	
	0368/1288 - 0523/1843				8	
	0318/1188, 0345/1215				6	
	0200/0700		075-93336-001	671320	2	
111	0153/0543, 0200/0700	Support Grill	075-93336-005	697733	2	80
	0165/0565, 0183/0643, 0198/0688, 0218/0788, 0245/0865, 0263/0943 - 0275/0965, 0368/1288		075-93336-003	671322	2	
	0178/0588, 0195/0665, 0213/0743, 0215/0765, 0233/0843		075-93336-004	671416	2	
	0248/0888, 0278/0988 - 0345/1215, 0373/1343, 0375/1315, 0398/1388 - 0425/1515, 0443/1543, 0500/1700		075-93336-006	695184	2	
	0428/1488, 0475/1665, 0483/1693, 0523/1843				4	
112	0305/1065, 0308/1088, 0333/1173, 0343/1193	Support Grill	075-93336-007	703339	2	80
	0368/1288	Panel Cover Wiring Tray	075-79570-020	703275	2	
	0200/0700		075-94088-001	697749	2	
113	0305/1065, 0308/1088, 0333/1173, 0343/1193	Panel Cover Wiring Tray	075-79570-020	703275	2	80
118	0368/1288, 0398/1388, 0425/1515, 0443/1543	Panel Cover Wiring Tray	075-79570-035	988796	2	80
	0428/1488, 0475/1665, 0483/1693, 0523/1843		075-79570-001	671315	1	
119	0428/1488, 0475/1665, 0483/1693, 0523/1843	Panel Cover Wiring Tray	075-79570-002	671318	1	80
200	0153/0543 - 0345/1215	Wire Grille	026-46614-000	671327	2	80
201	0153/0543 - 0345/1215	Wire Grille	026-46612-000	671328	2	80

TABLE 66 - WIRE ENCLOSURE KIT COMPONENTS - TOP (CONT'D)

ITEM	MODEL	DESCRIPTION	PART NUMBER	SAP	QUANTITY	FIGURE
202	0153/0543, 0200/0700	Wire Grille	026-46602-000	671329	4	80
	0165/0565, 0183/0643				6	
	0198/0688, 0218/0788, 0245/0865, 0263/0943, 0273/0963, 0275/0965				10	
	0178/0588, 0195/0665, 0213/0743, 0215/0765, 0233/0843				8	
	0248/0888, 0278/0988, 0295/1015, 0303/1093, 0323/1143				12	
	0305/1065, 0308/1088, 0333/1173, 0343/1193				14	
	0373/1343, 0375/1315, 0398/1388, 0413/1443, 0425/1515, 0443/1543, 0500/1700				18	
	0428/1488, 0475/1665, 0483/1693, 0523/1843				20	
	0318/1188, 0345/1215, 0368/1288				16	
	203				0153/0543 - 0345/1215, 0373/1343, 0375/1315, 0413/1443, 0500/1700	
0368/1288, 0398/1388, 0425/1515 - 0483/1693, 0523/1843		6				
204	ALL	Wire Grille	026-46609-000	671392	2	80



LD17459

FIGURE 80 - WIRE ENCLOSURE KIT COMPONENTS - TOP

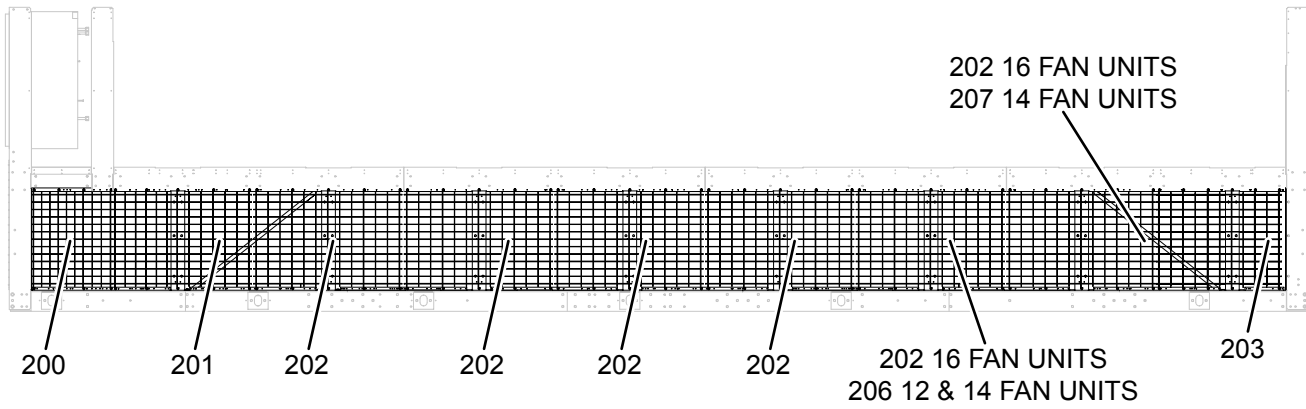
TABLE 68 - WIRE ENCLOSURE KIT COMPONENTS - BOTTOM

ITEM	MODEL	DESCRIPTION	PART NUMBER	SAP	QUANTITY	FIGURE
COMPONENTS - BOTTOM						
100	0198/0688, 0218/0788, 0245/0865, 0263/0943, 0273/0963, 0275/0965	Angle Support Louvers	075-94066-000	671393	8	81-83
	0178/0588, 0195/0665, 0213/0743, 0215/0765, 0233/0843, 0305/1065, 0308/1088, 0333/1173, 0343/1193,				6	
	0303/1093, 0323/1143, 0295/1015, 0248/0888, 0278/0988, 0318/1188, 0345/1215,				10	
	0368/1288, 0373/1343, 0375/1315, 0413/1443, 0500/1700		092-13674-000	946860	18	
	0398/1388, 0425/1515, 0443/1543				20	
	0428/1488, 0483/1693, 0523/1843, 0475/1665				22	
101	0153/0543, 0178/0588, 0195/0665, 0198/0688, 0213/0743 - 0245/0865, 0263/0943 - 0275/0965, 0318/1188, 0345/1215	Angle Support Louvers	075-94066-001	671394	2	81-83
	0368/1288 - 0523/1843		092-13674-002	946862	2	
102	0153/0543 - 0198/0688, 0213/0743 - 0345/1215	Angle Support Louvers	075-94066-002	671395	2	81-83
	0373/1343, 0375/1315, 0413/1443, 0500/1700				4	
	0368/1288, 0398/1388, 0425/1515 - 0483/1693, 0523/1843				8	
103	ALL	Angle Support Louvers	075-94066-003	671398	1	81-83
104	0178/0588, 0195/0665, 0198/0688, 0213/0743 - 0303/1093, 0323/1143	Angle Support Louvers	075-94066-004	671396	2	81-83
	0305/1065, 0308/1088, 0333/1173, 0343/1193				5	
	0318/1188, 0345/1215		075-94066-004	671396	4	
	0368/1288 - 0523/1843		092-13674-003	946863	2	
105	0178/0588, 0195/0665, 0198/0688, 0213/0743 - 0303/1093, 0323/1143	Angle Support Louvers	075-94066-005	671397	2	81-83
	0305/1065, 0308/1088, 0333/1173, 0343/1193				5	
	0318/1188, 0345/1215				4	
106	0153/0543	Angle Support Louvers	075-94066-006	671803	6	81-83
	0165/0565, 0183/0643				8	
114	0200/0700	Angle Support Louvers	075-94066-008	695561	2	81-83
115	0200/0700	Angle Support Louvers	075-94066-009	695562	2	81-83

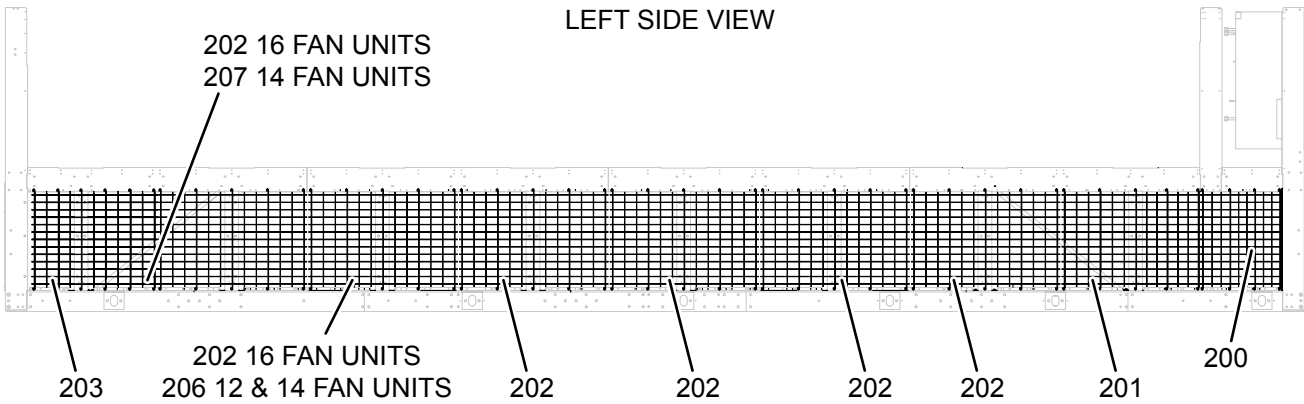
TABLE 67 - WIRE ENCLOSURE KIT COMPONENTS - BOTTOM (CONT'D)

ITEM	MODEL	DESCRIPTION	PART NUMBER	SAP	QUANTITY	FIGURE
116	0200/0700	Angle Support Louvers	075-94066-010	695563	2	81-83
117	0200/0700	Angle Support Louvers	075-94066-011	695564	2	81-83
200	0153/0543- 0198/0688, 0213/0743 - 0345/1215	Wire Grille	026-46610-000	671400	2	81-83
	0368/1288 - 0523/1843		026-46610-001	985766	2	
201	0153/0543 - 0345/1215	Wire Grille	026-46615-000	671401	2	81-83
202	0153/0543, 0200/0700	Wire Grille	026-46616-000	671405	4	81-83
	0165/0565 - 0198/0688, ,0213/0743 - 0245/0865, 0263/0943 - 0275/0965				6	
	0248/0888, 0278/0988 - 0303/1093, 0323/1143				12	
	0305/1065, 0308/1088, 0333/1173, 0343/1193				14	
	0373/1343 - 0425/1515, 0443/1543, 0500/1700				18	
	0428/1488, 0475/1665, 0483/1693, 0523/1843				20	
	0318/1188, 0345/1215, 0368/1288				16	
203	0153/0543, 0165/0565, 0183/0643, 0198/0688, 0218/0788, 0245/0865, 0263/0943, 0273/0963, 0275/0965	Wire Grille	026-46617-000	671402	2	81-83
	0178/0588, 0195/0665, 0213/0743, 0215/0765, 0233/0843, 0318/1188, 0345/1215, 0373/1343, 0375/1315, 0413/1443, 0500/1700		026-46692-000	671420	2	
	0368/1288, 0398/1388, 0425/1515, 0443/1543		6			
	0428/1488, 0475/1665, 0483/1693, 0523/1843		20			
	0248/0888, 0278/0988, 0295/1015, 0303/1093, 0323/1143		12			
	0305/1065, 0308/1088, 0333/1173, 0343/1193		14			
204	ALL	Wire Grille	026-46601-000	671403	2	81-83
205	ALL	Wire Grille	026-46600-000	671404	2	81-83
206	0178/0588, 0195/0665, 0213/0743, 0215/0765, 0233/0843	Wire Grille	026-46618-000	671406	2	81-83
211	0200/0700	Wire Grille	026-46692-000	671420	1	81-83
212	0200/0700	Wire Grille	026-46725-000	697752	2	81-83
213	0200/0700	Wire Grille	026-46726-000	697753	1	81-83

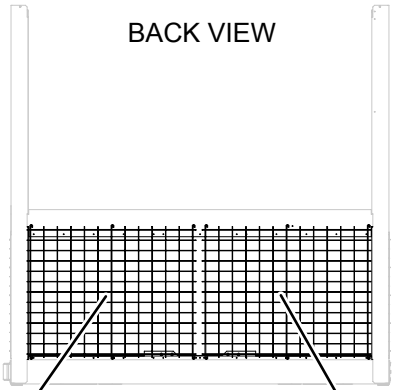
RIGHT SIDE VIEW



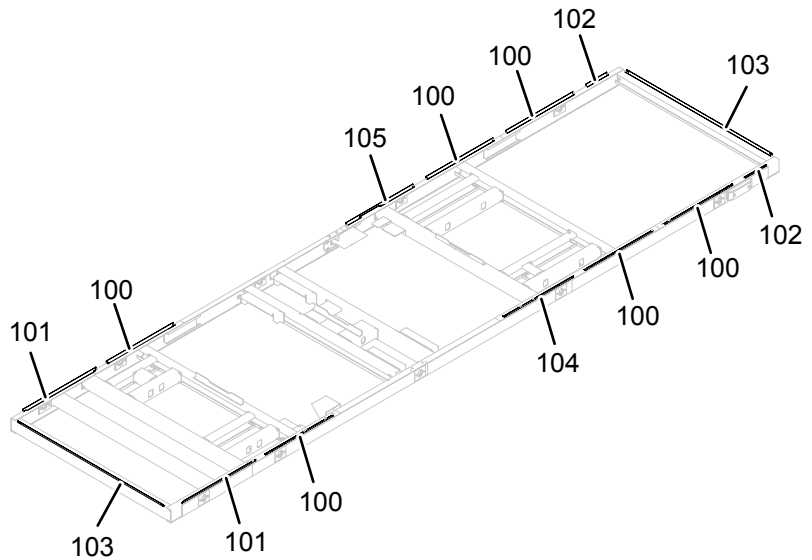
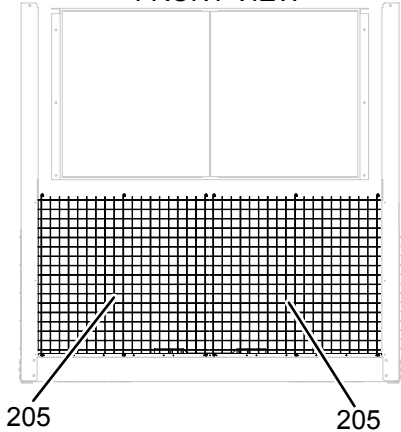
LEFT SIDE VIEW



BACK VIEW



FRONT VIEW

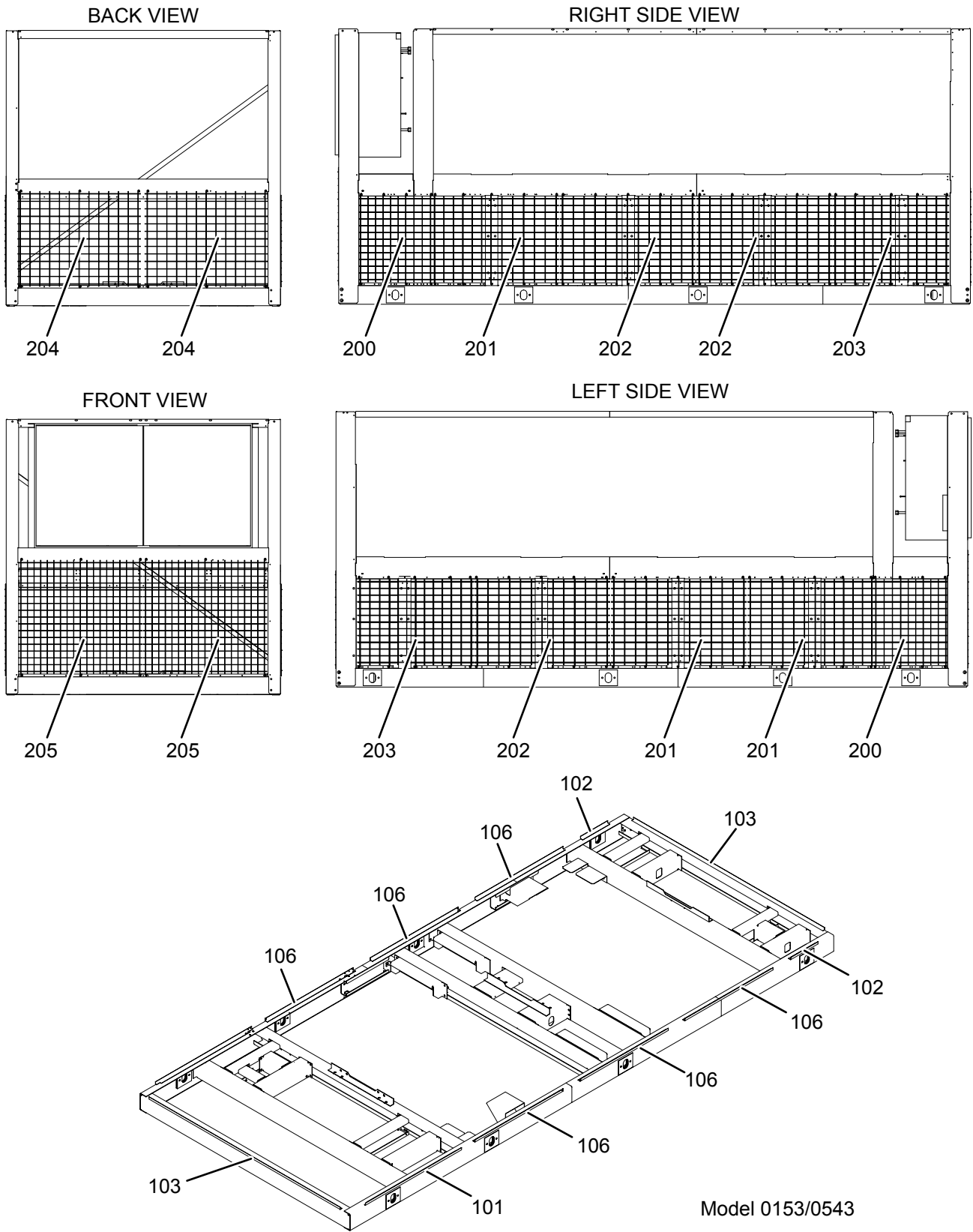


0263/0943 Shown

Models 0165/0565 - 0198/0688, 0213/0743 - 0523/1843

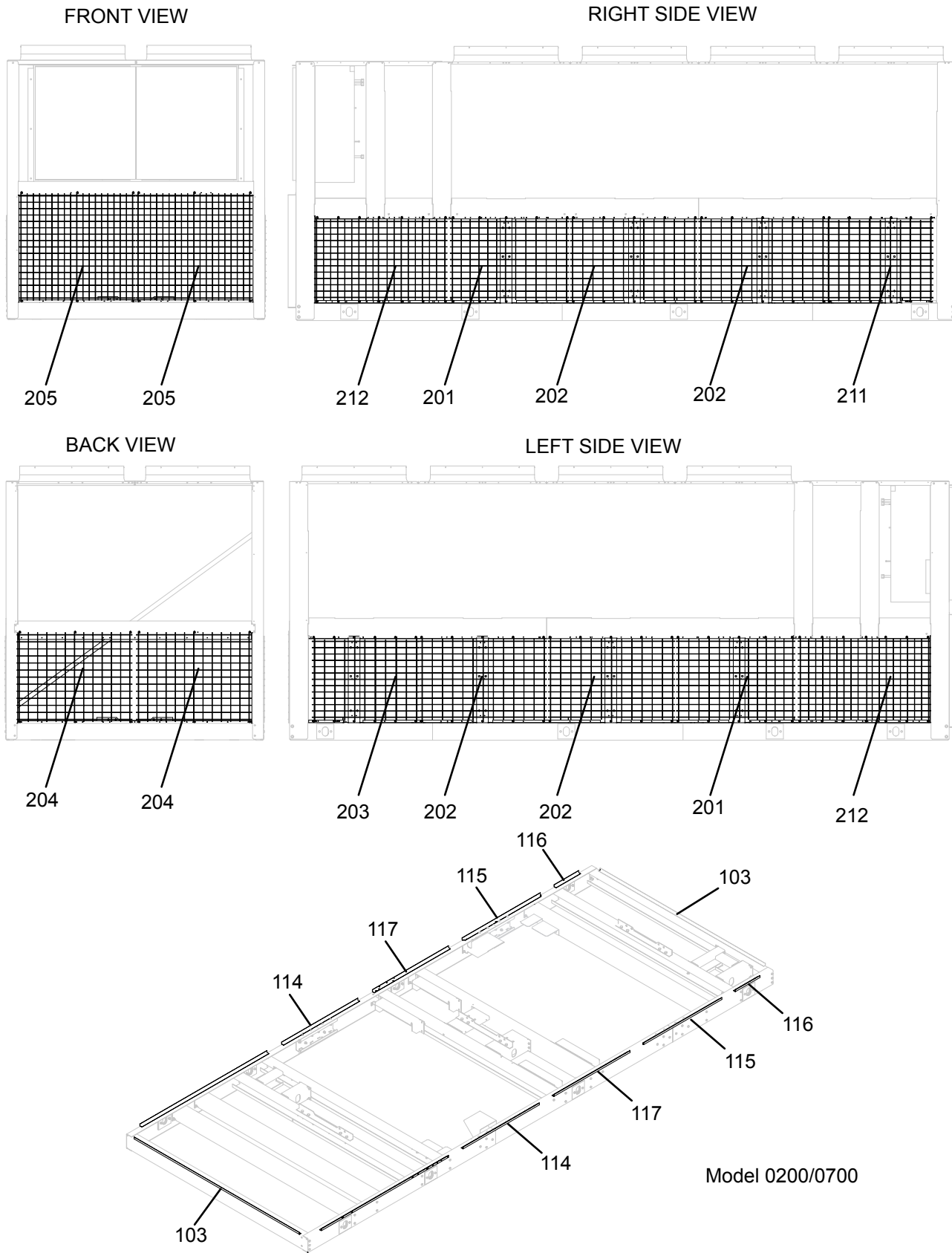
LD17460

FIGURE 81 - WIRE ENCLOSURE KIT COMPONENTS - MODELS 0165/0565 - 0198/0688, 0213/0743 - 0523/1843



Model 0153/0543

FIGURE 82 - WIRE ENCLOSURE KITS COMPONENTS - MODEL 0153/0543



LD17462

FIGURE 83 - WIRE ENCLOSURE KIT COMPONENTS - MODEL 0200/0700

TABLE 69 - ACOUSTICAL ARRANGEMENT

ITEM	PIN 54 =	MODEL	DESCRIPTION	PART NUMBER	SAP	QUANTITY	FIGURE
1	X, A	0153/0543, 0165/0565	Lagging Acoustical Suction	010-07735-000	556330	2	84
	X, A	0183/0643, 0213/0743, 0195/0665		010-07735-001	684340	2	
	X	0198/0688, 0233/0843, 0243/0888, 0263/0943		010-07735-002	684631	2	
	A	0198/0688, 0233/0843, 0243/0888, 0263/0943		010-07735-000	556330	2	
	X, A	0273/0963		010-07735-004	702907	2	
	X, A	0178/0588, 0200/0700, 0215/0765, 0218/0788, 0245/0865, 0303/1093, 0305/1065, 0323/143, 0333/1173, 0343/1193, 0345/1215		010-07735-002	684631	2	
	X, A	0373/1343		010-07735-008	999675	2	
	X, A	0413/1443, 0425/1515		010-07735-007	999674	2	
	X, A	0443/1543, 0483/1693		010-07735-006	985659	2	
	X, A	0475/1665, 0500/1700, 0523/1843		010-07735-005	874161	2	
	X, A	0275/0965, 0278/0988, 0295/1015, 0308/10888, 0318/1188		010-07735-003	684632	2	
X, A	0368/1288, 0375/1315, 0398/1388, 0428/1488	010-07735-009	1041061	1			
2	X	0153/0543 - 0245/0865, 0263/0943 - 0278/0988	Kit Compr Blanket	010-07808-000	728960	2	84
		0295/1015 - 0368/1288, 0375/1315, 0398/1388, 0428/1488		010-07808-003	680122	1	
		0373/1343, 0413/1443, 0425/1515, 0443/1543 - 0523/1843		010-07808-004	874162	1	
3	X	0295/1015 - 0318/1188	Kit Compr Blanket	010-07808-000	728960	1	84
		0373/1343		010-07808-002	680121	1	
		0368/1288, 0375/1315, 0398/1388, 0428/1488		010-07808-004	874162	1	
4	X, A	0153/0543 - 0245/0865, 0263/0943 - 0278/0988, 0323/1143, 0343/1193, 0345/1215	Lagging Acoustical Pipe Discharge	010-06568-000	636215	5	84
		0303/1093, 0305/1065, 0333/1173				6	
		0368/1288 - 0523/1843				12	
		0295/1015, 0308/10888, 0318/1188				10	

TABLE 68 - ACOUSTICAL ARRANGEMENT (CONT'D)

ITEM	PIN 54 =	MODEL	DESCRIPTION	PART NUMBER	SAP	QUANTITY	FIGURE
5	X, A	0153/0543, 0165/0565	Kit Lagging Acoustical 8" Oil Sep	010-07809-000	664085	2	84
		0183/0643 - 0278/0988		010-07734-000	728854	2	
		0295/1015 - 0318/1188, 0373/1343		010-07799-000	703318	1	
		0323/1143 - 0523/1843				2	
6	A	0183/0643	Lagging Acoustical Oil Sep	010-07734-000	728854	1	84
	X, A	0295/1015, 0303/1093, 0305/1065, 0308/1088, 0318/1188, 0373/1343		010-07734-000	728854	1	

NOTE: Items with an * are NOT represented.

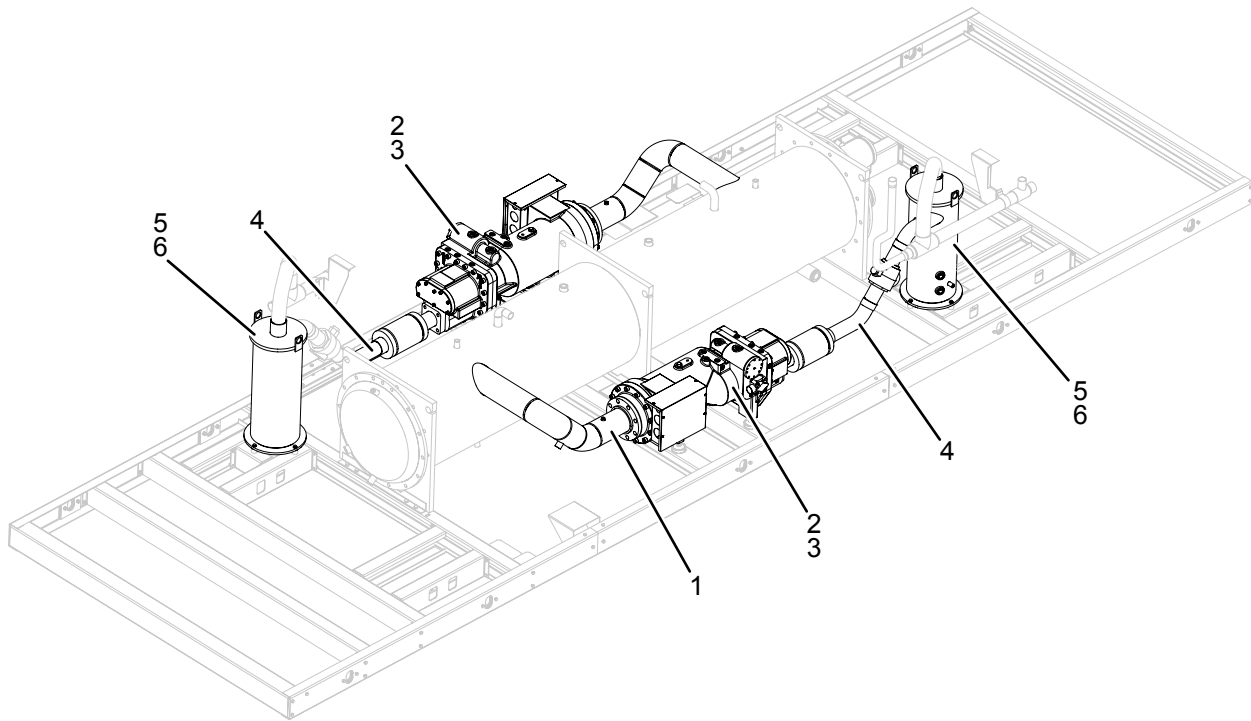


FIGURE 84 - ACOUSTICAL ARRANGEMENT

LD17454

TABLE 70 - TOP EDGE GUARD KIT

MODEL	FANS	EDGE GUARD KIT
0153/0543	8	375 94097 008
0165/0565 0183/0643	10	375 94097 010
0178/0588 0195/0665 0213/074 3thru 0215/0765 0233/0843	12	375 94097 012
0198/0688 0218/0788 0245/0865 0263/0943 thru 0275/0965	14	375 94097 014
0200/0700	8	375 94097 200
0248/0888 0278/0988 0295/1015 thru 0303/1093 0323/1143	16	375 94097 016
0305/1065 thru 0308/1088 0333/1173 0343/1193	18	375 94097 018
0318/1188 0345/1215	20	375 94097 020

1. See *Table 71* on page 198 and *Figure 85* on page 199 and *Figure 86* on page 200 for individual Top Edge Guards.

TABLE 71 - TOP EDGE GUARDS

ITEM	MODEL	FANS	DESCRIPTION	PART NUMBER	QUANTITY	FIGURE
1	all	all	Top Edge Guard Component	075 94098 001	1	85, 86
2	all	all	Top Edge Guard Component	075 94098 002	1	85, 86
3	0165/0565 thru 0195/0665 0213/0743 thru 0215/0765 0233/0843	10, 12	Top Edge Guard Component	075 94098 003	2	85, 86
	0198/0688 0218/0788 0245/0865 thru 0303/1093 0318/1188 thru 0323/1143 0345/1215	14, 16			4	
	0200/0700	8	Top Edge Guard Component	075 94098 007	1	
	0305/1065 thru 0308/1088 0333/1173 0343/1193	18, 20	Top Edge Guard Component	075 94098 003	6	
4	0153/0543 0178/0588 0195/0665 0200/0700 thru 0215/0765 0233/0843 0248/0888 0278/0988 thru 0303/1093 0318/1188 thru 0323/1143 0345/1215	8, 12, 16, 20	Top Edge Guard Component	075 94098 007	1	85, 86
	0165/0565 0183/0643 0198/0688 0218/0788 0245/0865 0263/0943 thru 0275/0965 0305/1065 thru 0308/1088 0333/1173 thru 0343/1193	10, 14, 18	Top Edge Guard Component	075 94098 004	1	
5	0153/0543 0178/0588 0195/0665 0213/0743 thru 0215/0765 0233/0843 0248/0888 0278/0988 thru 0303/1093 0318/1188 thru 0323/1143 0345/1215	8, 12, 16, 20	Top Edge Guard Component	075 94098 008	1	85, 86
	0165/0565 0183/0643 0198/0688 0218/0788 0245/0865 0263/0943 thru 0275/0965 0305/1065 thru 0308/1088 0333/1173 thru 0343/1193	10, 14, 18	Top Edge Guard Component	075 94098 005	1	
	0200/0700	8	Top Edge Guard Component	075 94098 006	2	

TABLE 70 - TOP EDGE GUARDS (CONT'D)

ITEM	MODEL	FANS	DESCRIPTION	PART NUMBER	QUANTITY	FIGURE
6	0153/0543	8	Top Edge Guard Component	075 94098 006	2	85, 86
	0165/0565 thru 0195/0665 0213/0743 thru 0215/0765 0233/0843	10, 12			4	
	0198/0688 0218/0788 0245/0865 thru 0303/1093 0323/1143	14, 16			6	
	0200/0700	8	Top Edge Guard Component	075 94098 009	1	
	0305/1065 thru 0318/1188 0333/1173 thru 0345/1215	18, 20	Top Edge Guard Component	075 94098 006	8	
7	0200/0700	8	Top Edge Guard Component	075 94098 010	2	85, 86
	all except 0200/0700	all	Top Edge Guard Component	075 94098 009	1	
8	all	all	Top Edge Guard Component	075 94098 011	2	85, 86

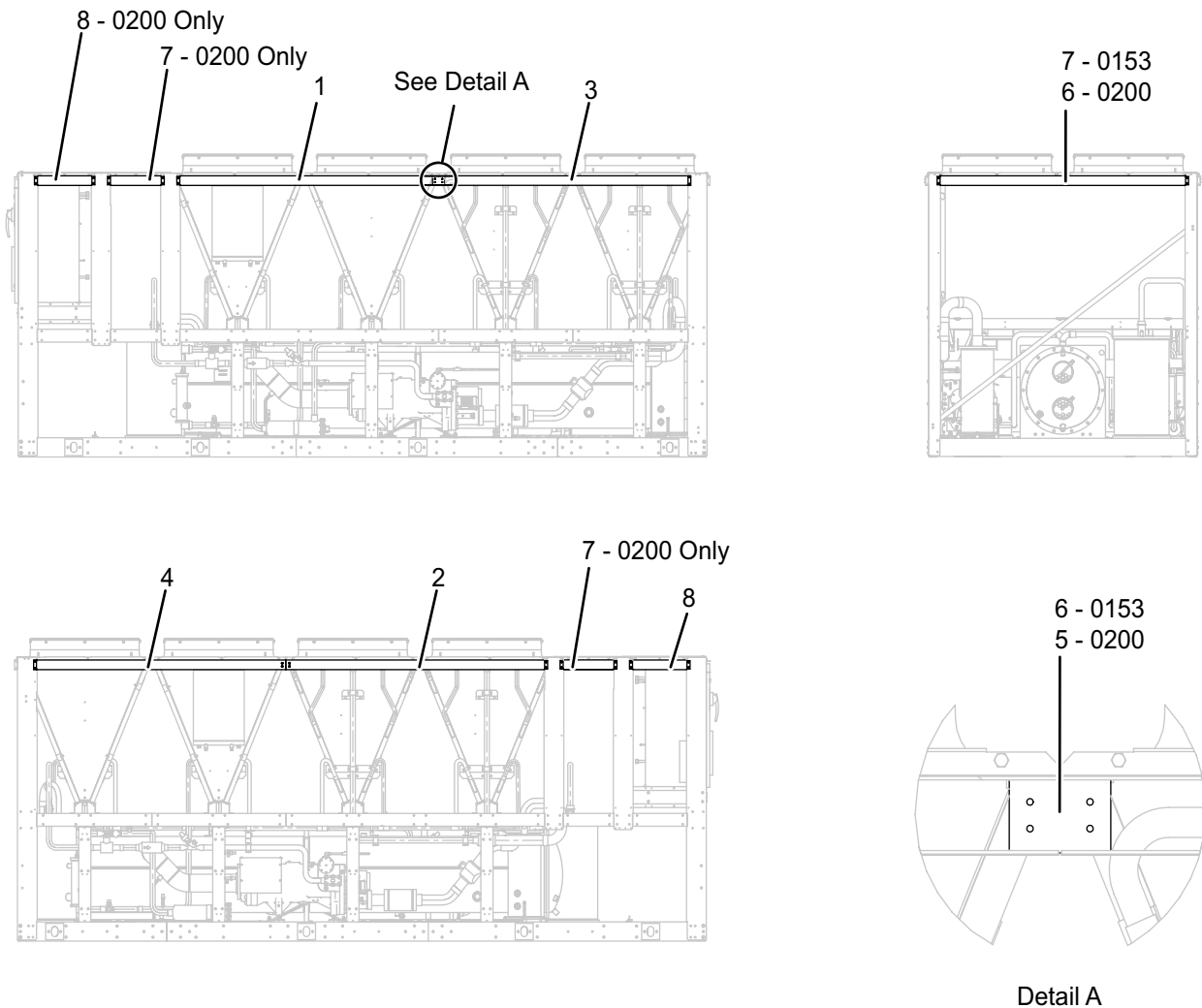
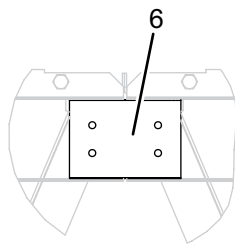
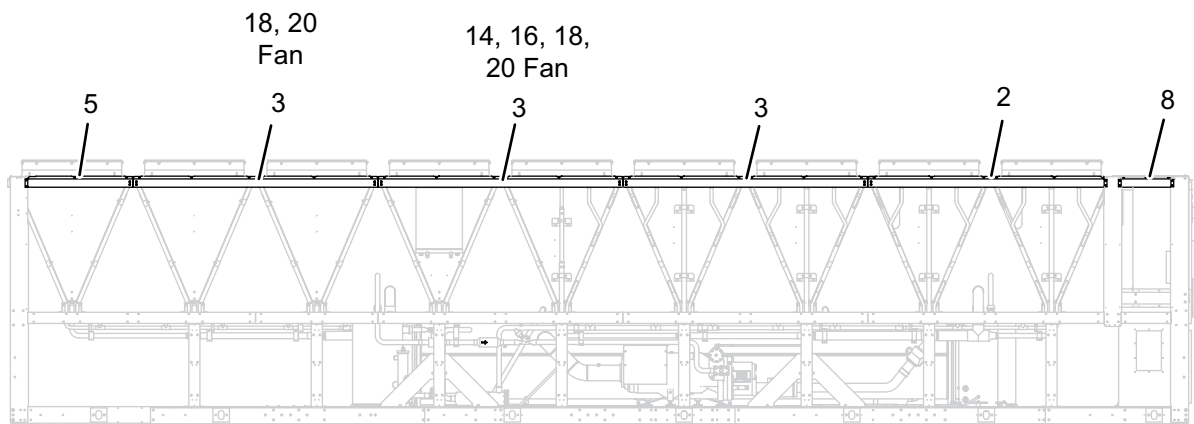
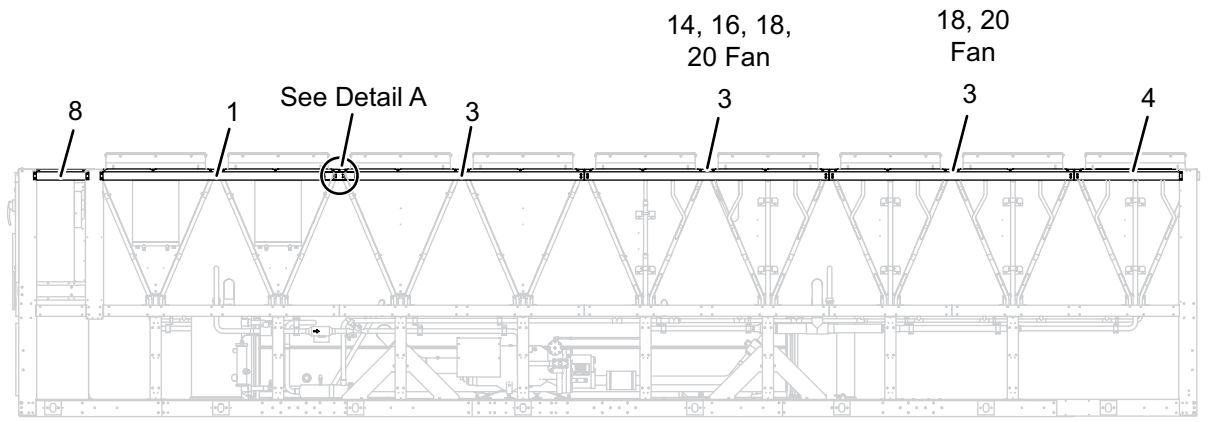
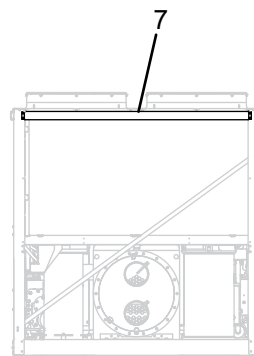


FIGURE 85 - TOP EDGE GUARDS - MODELS 0153/0543 AND 0200/0700



Detail A



LD16173

FIGURE 86 - TOP EDGE GUARDS - ALL MODELS EXCEPT 0153/0543 AND 0200/0700

TABLE 72 - VIBRATION ISOLATORS

ONE INCH DEFLECTION SPRING ISOLATOR CROSS REFERENCE				
WEIGHT RANGE (LBS)	WEIGHT RANGE (KG.)	VENDOR PART NUMBER	COLOR	YORK PART NUMBER
FOR UNITS WITH ALL POINT LOADS LESS THAN 1404 LBS. (637 KG)				
UP to 435 LBS	UP to 197	CP-1D-510	Black	029 25334 002
435 to 766 LBS	197 to 347	CP-1D-900	Dark Green	029 25334 003
766 to 1021 LBS	347 to 463	CP-1D-1200	Gray	029 25334 004
1021 to 1157 LBS	463 to 525	CP-1D-1360	White	029 25334 005
1157 to ***1785 LBS	525 to 810	CP-1D-1785N	Gray/Red	029 25334 006
FOR UNITS WITH ANY POINT LOADS LESS THAN 1404 LBS. (637 KG)				
UP to 1149 LBS	UP to 521	C2P-1D-1350	Dark Purple	029 25334 008
1149 to 1531 LBS	521 to 694	C2P -1D-1800	Dark Green	029 25334 009
1531 to 2041 LBS	694 to 926	C2P-1D-2400	Gray	029 25334 010
2041 to 2313 LBS	926 to 1049	C2P-1D-2720	White	029 25334 012
2313 to ***3570 LBS	1049 to 1619	C2P-1D-3570N	Gray/Red	029 25334 013

NEOPRENE ISOLATOR CROSS REFERENCE				
**WEIGHT RANGE (LBS)	WEIGHT RANGE (KG.)	VENDOR PART NUMBER	COLOR	YORK PART NUMBER
UP to 826 LBS	UP to 375	RD-3 Charcoal-WR	Charcoal	029 25335 001
826 to 1689 LBS	375 to 766	RD-4 Brick Red-WR	Brick Red	029 25335 002
1689 to ***4000 LBS	766 to 1814	RD-4 Charcoal-WR	Charcoal	029 25335 004

TWO INCH DEFLECTION SEISMIC ISOLATOR CROSS REFERENCE				
WEIGHT RANGE (LBS)	WEIGHT RANGE (KG.)	VENDOR PART NUMBER	COLOR	YORK PART NUMBER
UP to 392 LBS	UP to 178	Y2RSI-2D-460	Green	029 25336 006
392 to 605 LBS	178 to 274	Y2RSI-2D-710	Dark Brown	029 25336 008
605 to 741 LBS	274 to 336	Y2RSI-2D-870	Red	029 25336 009
741 to 1021 LBS	336 to 463	Y2RSI-2D-1200N	Red/Black	029 25336 010
1021 to 1438 LBS	463 to 652	Y2RSI-2D-1690	Pink	029 25336 011
1438 to 2245 LBS	652 to 1018	Y2RSI-2D-2640N	Pink/Gray	029 25336 012
2245 to 2619 LBS	1018 to 1188	Y2RSI-2D-2870N	Pink/Gray/Orange	029 25336 013
2619 to ***3740 LBS	1188 to 1696	Y2RSI-2D-3280N	Pink/Gray/Dark Brown	029 25336 014

Notes: * Value is de-rated by 15%

**Value is de-rated by 25%

***Value is not de-rated

Isolators with 1" deflection (PIN 55=1) must be of the same class for the entire unit. IE. Must use C2P's at all locations on a selected unit, or all CP's.

TABLE 73 - AUTOTRANSFORMER

PIN 17 =	MODEL	PINS 12 & 13	KIT	TRANSFORMER	ENCLOSURE KIT	WIRE KIT
B, D, M, P, N, OR S	0153/0543 thru 0278/0988	17	371-05673-001	025-39694-001	375-94075-000	375-55899-001
		28	371-05673-002	025-39694-002		
		40	N/A	N/A	N/A	N/A
		42				
		46				
	50					
	0295/1015 thru 0345/1215	58	371-05673-008	025-39694-008	392-03568-000	375-55899-007
0368/1288 thru 0523/1843	58	371-05673-011	025-39694-005	392-07117-000	375-55899-009	
N	0153/0543 thru 0278/0988	58	371-05673-105	025-39694-005	375-94075-000	375-55899-103
B, D, M, P, OR S	0153/0543 thru 0278/0988	58	371-05673-005	025-39694-005	375-94075-000	375-55899-003

NOTE: Items with an * are NOT represented.

TABLE 74 - LANGUAGE KITS

DESCRIPTION	PART NUMBER	SAP NUMBER
Overlay, Keypad English	024-34930-001	251881
Overlay Keypad French	024-34930-003	694217
Overlay Keypad German	024-34930-004	694218
Overlay Keypad Hungarian	024-34930-007	694220
Overlay Keypad Italian	024-34930-005	694231
Overlay Keypad Polish	024-34930-008	694232
Overlay Keypad Portuguese	024-34930-006	736120
Overlay Keypad Spanish	024-34930-002	694233
Docushare Document	075-34930-000	669189
Operating Instruction, English	035-23219-100	745655
Operating Instruction, French	035-23219-300	694234
Operating Instruction, German	035-23219-200	694235
Operating Instruction, Hungarian	035-23219-350	694236
Operating Instruction, Italian	035-23219-400	694237
Operating Instruction, Polish	035-23219-250	694238
Operating Instruction, Portuguese	035-23219-800	745656
Operating Instruction, Spanish	035-23219-500	694239
Label Kyoto Protocol (English)	035-21888-100	417997

TABLE 75 - FLOW SWITCH

PIN 46	QUANTITY	PIN 43 = 1		PIN 43 = 3
		PIN 24 = L OR G	PIN 24 = C	PIN 24 = L, C OR G
S	1 per Chiller	024-26116-100	024-26116-200	024-12144-000
T	2 per Chiller			
U	3 per Chiller			

TABLE 76 - DIFFERENTIAL PRESSURE SWITCH

PIN 46	QUANTITY	
D	1 per Chiller	025-30919-000
E	2 per Chiller	
F	3 per Chiller	

TABLE 78 - E-LINK

DESCRIPTION	PART NUMBER	SAP NUMBER
E-Link Kit (Pin 21 = E)	392-03712-001	805630
E-Link W/Serial Ports	025-43893-000	703143
E-Link Optiview/Latitude Panel	025-43894-000	703144
E-Link Kit (Pin 21 = L)	392-03712-002	805631
E-Link W/Serial Ports (Lon)	025-44384-000	740489
E-Link Optiview/Latitude Panel	025-43894-000	703144

TABLE 77 - THERMAL DISPERSION SWITCH

PIN 46	QUANTITY	
G	1 per Chiller	375-94519-001
H	2 per Chiller	
I	3 per Chiller	

TABLE 79 - EPROM

MODEL	DESCRIPTION	PART NUMBER	SAP NUMBER
All Model	Eprom Control Board	031-02476-301	835931

The following factors can be used to convert from English to the most common SI Metric values.

TABLE 80 - SI METRIC CONVERSION

MEASUREMENT	MULTIPLY ENGLISH UNIT	BY FACTOR	TO OBTAIN METRIC UNIT
Capacity	Tons Refrigerant Effect (ton)	3.516	Kilowatts (kW)
Power	Horsepower	0.7457	Kilowatts (kW)
Flow Rate	Gallons / Minute (gpm)	0.0631	Liters / Second (l/s)
Length	Feet (ft)	0.3048	Meters (m)
	Inches (in)	25.4	Millimeters (mm)
Weight	Pounds (lbs)	0.4536	Kilograms (kg)
Velocity	Feet / Second (fps)	0.3048	Meters / Second (m/s)
Pressure Drop	Feet of Water (ft)	2.989	Kilopascals (kPa)
	Pounds / Square Inch (psi)	6.895	Kilopascals (kPa)

TEMPERATURE

To convert degrees Fahrenheit (°F) to degrees Celsius (°C), subtract 32° and multiply by 5/9 or 0.5556.

Example: $(45.0^{\circ}\text{F} - 32^{\circ}) \times 0.5556 = 7.22^{\circ}\text{C}$

To convert a temperature range (i.e., a range of 10°F) from Fahrenheit to Celsius, multiply by 5/9 or 0.5556.

Example: $10.0^{\circ}\text{F range} \times 0.5556 = 5.6^{\circ}\text{C range}$



P.O. Box 1592, York, Pennsylvania USA 17405-1592
Copyright © by Johnson Controls 2016
Form 201.28-RP2 (1216)
Issue Date: December 5, 2016
Supersedes: 201.28-RP2 (616)

800-861-1001
www.johnsoncontrols.com

Subject to change without notice. Printed in USA
ALL RIGHTS RESERVED