

 <b>YORK</b> <sup>®</sup> BY JOHNSON CONTROLS	<b>AIR-COOLED SCREW LIQUID CHILLERS</b>	
<b>REPLACEMENT PARTS</b>	<b>NEW RELEASE</b>	Form 201.28-RP3 (515)

**MODEL YVAA  
STYLE B  
WITH VARIABLE SPEED DRIVE  
2 COMPRESSOR  
FRAME SIZE 015 - 052  
50 AND 60 HZ  
(MANUFACTURED AFTER SEPTEMBER 2014)**



**150 - 500 TONS  
525 - 1750 KW  
HFC-134A**

LD15045

Issue Date:  
May 29, 2015



# IMPORTANT!

## READ BEFORE PROCEEDING!

### GENERAL SAFETY GUIDELINES

This equipment is a relatively complicated apparatus. During installation, operation maintenance or service, individuals may be exposed to certain components or conditions including, but not limited to: refrigerants, materials under pressure, rotating components, and both high and low voltage. Each of these items has the potential, if misused or handled improperly, to cause bodily injury or death. It is the obligation and responsibility of operating/service personnel to identify and recognize these inherent hazards, protect themselves, and proceed safely in completing their tasks. Failure to comply with any of these requirements could result in serious damage to the equipment and the property in

which it is situated, as well as severe personal injury or death to themselves and people at the site.

This document is intended for use by owner-authorized operating/service personnel. It is expected that these individuals possess independent training that will enable them to perform their assigned tasks properly and safely. It is essential that, prior to performing any task on this equipment, this individual shall have read and understood this document and any referenced materials. This individual shall also be familiar with and comply with all applicable governmental standards and regulations pertaining to the task in question.

---

### SAFETY SYMBOLS

The following symbols are used in this document to alert the reader to specific situations:



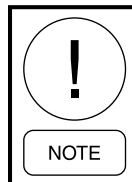
*Indicates a possible hazardous situation which will result in death or serious injury if proper care is not taken.*



*Identifies a hazard which could lead to damage to the machine, damage to other equipment and/or environmental pollution if proper care is not taken or instructions are not followed.*



*Indicates a potentially hazardous situation which will result in possible injuries or damage to equipment if proper care is not taken.*



*Highlights additional information useful to the technician in completing the work being performed properly.*



*External wiring, unless specified as an optional connection in the manufacturer's product line, is not to be connected inside the control cabinet. Devices such as relays, switches, transducers and controls and any external wiring must not be installed inside the micro panel. All wiring must be in accordance with Johnson Controls' published specifications and must be performed only by a qualified electrician. Johnson Controls will NOT be responsible for damage/problems resulting from improper connections to the controls or application of improper control signals. Failure to follow this warning will void the manufacturer's warranty and cause serious damage to property or personal injury.*

## CHANGEABILITY OF THIS DOCUMENT

In complying with Johnson Controls' policy for continuous product improvement, the information contained in this document is subject to change without notice. Johnson Controls makes no commitment to update or provide current information automatically to the manual owner. Updated manuals, if applicable, can be obtained by contacting the nearest Johnson Controls Service office or accessing the Johnson Controls QuickLIT website at <http://cgproducts.johnsoncontrols.com>.

Operating/service personnel maintain responsibility for the applicability of these documents to the equipment. If there is any question regarding the applicability of

these documents, the technician should verify whether the equipment has been modified and if current literature is available from the owner of the equipment prior to performing any work on the chiller.

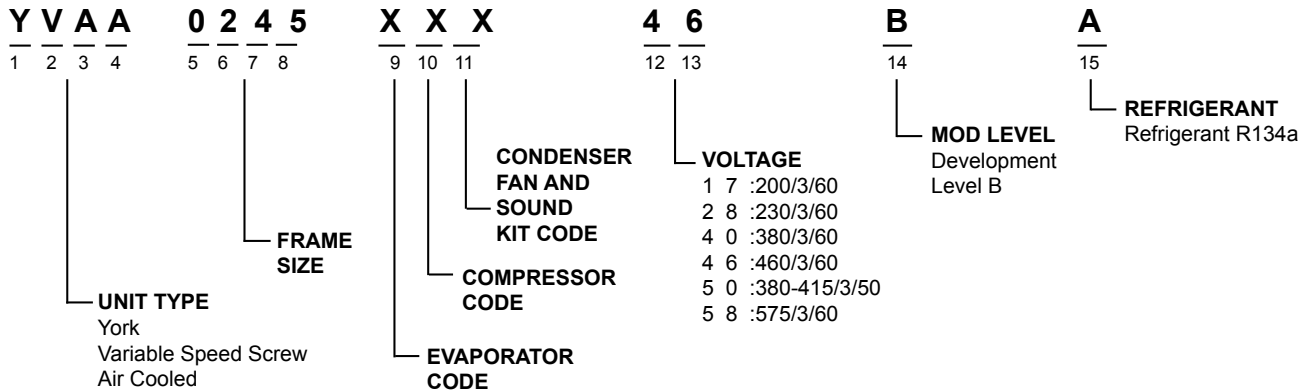
### CHANGE BARS

Revisions made to this document are indicated with a line along the left or right hand column in the area the revision was made. These revisions are to technical information and any other changes in spelling, grammar or formatting are not included.

## ASSOCIATED LITERATURE

MANUAL DESCRIPTION	FORM NUMBER
Equipment Pre-start and Startup Checklist	201.28-CL2
Installation, Operation, and Maintenance	201.28-NM1.1
Renewal Parts Style A (Manufactured before April 2012)	201.28-RP1
Renewal Parts Style A and B (Manufactured after April 2012)	201.28-RP2
Screw - Scroll Chiller Long Term Storage	50.20-NM7
All Products - Replacement Parts Electrical Connectors	50.20-RP1
All Products - Replacement Parts Fittings	50.20-RP2

## NOMENCLATURE



### MODEL AND SERIAL NUMBERS

In order to ensure that the correct replacement parts are supplied please provide your Johnson Controls Parts Center with the Model and Serial No. of your unit; these are detailed on the unit data plate as shown below.

A typical serial number could be:

**RMRM016840**

Where the four letters identify the location and time of manufacture and the 6 numbers (including the 0) are the serial number issued to the unit.

#### Model Number

The model number consists of the first 15 digits of the unit pin as shown above.

#### PIN

Table 1 details options that may fitted to your unit, the PIN on the unit data plate should be used to identify these options when ordering spare parts.

#### Serial Number

The serial number is a combination of four letters and the six numbers (see example below). It is important that both the letters and the number are provided.

Model/PIN		MOD		PIN				Serial #		SER	
Refrigerant	Max. Allowable Pressure -Bar (psig):			High Side	B		Low Side	C		D	
A	System Pressure Test On			High Side	E		Low Side	F		G	
OUTDOOR USE		Volt-Phase-Hertz	Utilization Range		Min. Circuit Ampacity	Max. Dual Element Fuse Size		Max. Circuit Breaker Size		Short Circuit Withstand	
Unit Power	Supply:	L	M	N	O	P	Q				
Protection Device Size - Amps				SYS No.		Compressor RLA		Fans		Refrigerant Kg (lb)	
System(s) No.	Min. Circuit Ampacity	Max. Dual Element Fuse Size		Max. Circuit Breaker Size		FLA		LRA		No.	
S13	1A	1B		1C		S1		1E		1G	
						S2		2E		2G	
						S3		3E		3G	
S24	2A	2B		2C		S4		4E		4G	
YORK		YORK INTERNATIONAL CORP.		York, PA		029-24572-001		REV. F		Control Transformer:	
						No. Volts-Phase-Hertz		KVA		Unit Shipping Weight Kg (lb)	
						X		LA		Y	
										Z	

## LIST OF TABLES

<b>TABLE 1</b> - Complete PIN Number Description .....	8
<b>TABLE 2</b> - VSD / Control Panel (Pin 12 & 13 = 17 & 28).....	16
<b>TABLE 3</b> - VSD / Control Panel (Pin 12 & 13 = 40) .....	18
<b>TABLE 4</b> - VSD / Control Panel (Pin 12 & 13 = 42) .....	23
<b>TABLE 5</b> - VSD / Control Panel (Pin 12 & 13 = 46) .....	28
<b>TABLE 6</b> - VSD / Control Panel (Pin 12 & 13 = 50) .....	32
<b>TABLE 7</b> - VSD / Control Panel (Pin 12 & 13 = 58) .....	36
<b>TABLE 8</b> - VSD Mounting Kit .....	45
<b>TABLE 9</b> - Unit Assembly .....	48
<b>TABLE 10</b> - Base Assembly .....	54
<b>TABLE 11</b> - Evaporator Components.....	73
<b>TABLE 12</b> - Evaporator Tubes ASME 1-Pass .....	74
<b>TABLE 13</b> - Evaporator Tubes ASME 2-Pass .....	75
<b>TABLE 14</b> - Evaporator Tubes ASME 3-Pass .....	76
<b>TABLE 15</b> - Evaporator Waterbox Gaskets ASME 1-Pass .....	77
<b>TABLE 16</b> - Evaporator Waterbox Gaskets ASME 2-Pass .....	78
<b>TABLE 17</b> - Evaporator Waterbox Gaskets ASME 3-Pass .....	79
<b>TABLE 18</b> - Evaporator Complete ASME 1-Pass .....	80
<b>TABLE 19</b> - Evaporator Complete ASME 2-Pass .....	81
<b>TABLE 20</b> - Evaporator Complete ASME 3-Pass .....	82
<b>TABLE 21</b> - Evaporator Complete PED 1-Pass .....	83
<b>TABLE 22</b> - Evaporator Complete PED 2-Pass .....	84
<b>TABLE 23</b> - Evaporator Complete PED 3-Pass .....	85
<b>TABLE 24</b> - Condenser Coils .....	86
<b>TABLE 25</b> - Evaporator Waterbox Heater Kits .....	88
<b>TABLE 26</b> - Evaporator Waterbox Heater .....	89
<b>TABLE 27</b> - Fan Components for Low Sound, Ultra Quiet and High Flow / High Static Fans .....	92
<b>TABLE 28</b> - Piping Assembly 0153 / 0543 .....	94
<b>TABLE 29</b> - Piping Assembly 0165 / 0565 .....	96
<b>TABLE 30</b> - Piping Assembly 0178 / 0588 .....	98
<b>TABLE 31</b> - Piping Assembly 0183 / 0643 .....	100
<b>TABLE 32</b> - Piping Assembly 0195 / 0665 .....	102
<b>TABLE 33</b> - Piping Assembly 0198 / 0688 .....	104
<b>TABLE 34</b> - Piping Assembly 0200 / 0700 .....	106
<b>TABLE 35</b> - Piping Assembly 0213 / 0743 .....	108
<b>TABLE 36</b> - Piping Assembly 0215 / 0765 .....	110
<b>TABLE 37</b> - Piping Assembly 0218 / 0788 .....	112
<b>TABLE 38</b> - Piping Assembly 0233 / 0843 .....	114
<b>TABLE 39</b> - Piping Assembly 0245 / 0865 .....	116
<b>TABLE 40</b> - Piping Assembly 0248 / 0888 .....	118
<b>TABLE 41</b> - Piping Assembly 0263 / 0943 .....	120
<b>TABLE 42</b> - Piping Assembly 0273 / 0963 .....	122
<b>TABLE 43</b> - Piping Assembly 0275 / 0965 .....	124
<b>TABLE 44</b> - Piping Assembly 0278 / 0988 .....	126
<b>TABLE 45</b> - Piping Assembly 0295 / 1015 .....	128
<b>TABLE 46</b> - Piping Assembly 0303 / 1093 .....	130
<b>TABLE 47</b> - Piping Assembly 0305 / 1065 .....	132
<b>TABLE 48</b> - Piping Assembly 0308 / 1088 .....	134
<b>TABLE 49</b> - Piping Assembly 0318 / 1188 .....	136
<b>TABLE 50</b> - Piping Assembly 0323 / 1143 .....	138
<b>TABLE 51</b> - Piping Assembly 0333 / 1173 .....	140
<b>TABLE 52</b> - Piping Assembly 0343 / 1193 .....	142
<b>TABLE 53</b> - Piping Assembly 0345 / 1215 .....	144
<b>TABLE 54</b> - Piping Assembly 0368 / 1288 .....	146

## LIST OF TABLES (CONT'D)

<b>TABLE 55</b> - Piping Assembly 0373 / 1343 .....	148
<b>TABLE 56</b> - Piping Assembly 0375 / 1315 .....	150
<b>TABLE 57</b> - Piping Assembly 0398 / 1388 .....	152
<b>TABLE 58</b> - Piping Assembly 0413 / 1443 .....	154
<b>TABLE 59</b> - Piping Assembly 0425 / 1515 .....	156
<b>TABLE 60</b> - Piping Assembly 0428 / 1488 .....	158
<b>TABLE 61</b> - Piping Assembly 0443 / 1543 .....	160
<b>TABLE 62</b> - Piping Assembly 0475 / 1665 .....	162
<b>TABLE 63</b> - Piping Assembly 0483 / 1693 .....	164
<b>TABLE 64</b> - Piping Assembly 0500 / 1700 .....	166
<b>TABLE 65</b> - Piping Assembly 0523 / 1843 .....	168
<b>TABLE 66</b> - Glycol Loop Components .....	170
<b>TABLE 67</b> - Standard Compressor (Pin 12 & 13 = 40, 42, 50, Pin 20 = X, Pin 38 = S).....	171
<b>TABLE 68</b> - Optimized Compressor (Pin 12 & 13 = 40, 42, 50, Pin 20 = X, Pin 38 = V) .....	172
<b>TABLE 69</b> - Standard Compressor with High Ambient Kit (Pin 12 & 13 = 40, 42, 50, Pin 20 = H, Pin 38 = S).....	173
<b>TABLE 70</b> - Optimized Compressor with High Ambient Kit (Pin 12 & 13 = 40, 42, 50, Pin 20 = H, Pin 38 = V).....	174
<b>TABLE 71</b> - Standard Compressor (Pin 12 & 13 = 17, 28, 46, 58 Pin 20 = X, Pin 38 = S).....	175
<b>TABLE 72</b> - Optimized Compressor (Pin 12 & 13 = 17, 28, 46, 58, Pin 20 = X, Pin 38 = V) .....	176
<b>TABLE 73</b> - Compressor Components .....	178
<b>TABLE 74</b> - Compressor Sensors.....	180
<b>TABLE 75</b> - ASME Insulated Cooler .....	182
<b>TABLE 76</b> - PED Insulated Cooler .....	184
<b>TABLE 77</b> - Louvered Enclosure Kits (Basic, Economical, Level 0 and Level 1 Reduction) .....	185
<b>TABLE 78</b> - Louvered Enclosure Kits (Level 2 Reduction) .....	186
<b>TABLE 79</b> - Wire/Louvered Enclosure Kits (Basic, Economical, Level 0 and Level 1 Reduction) .....	187
<b>TABLE 80</b> - Wire/Louvered Enclosure Kits (Level 2 Reduction) .....	188
<b>TABLE 81</b> - Louvered Enclosure Kit Components - Top .....	189
<b>TABLE 82</b> - Wire/Louvered Enclosure Kit Components - Top.....	193
<b>TABLE 83</b> - Louvered Enclosure Kit Components - Bottom .....	204
<b>TABLE 84</b> - Wire-Louvered Enclosure Kit Components - Bottom.....	208
<b>TABLE 85</b> - Louvered Enclosure (Cond. Only) .....	219
<b>TABLE 86</b> - End Louver (Hail Guard) .....	228
<b>TABLE 87</b> - V-Guard (Only) Panel Enclosures .....	230
<b>TABLE 88</b> - V-Guard Plus Hail Guard .....	238
<b>TABLE 89</b> - Flash Tank Oil Separator .....	239
<b>TABLE 90</b> - Pressure Relief ASME (Pin 33 = X, C) .....	242
<b>TABLE 91</b> - Dual Pressure Relief ASME (Pin 33 = R) .....	243
<b>TABLE 92</b> - Pressure Relief Ped (Pin 33 = X) .....	244
<b>TABLE 93</b> - Dual Pressure Relief Ped (Pin 33 = R).....	246
<b>TABLE 94</b> - Pressure Switch Components .....	249
<b>TABLE 95</b> - Single Point Wiring Option Kit .....	250
<b>TABLE 96</b> - Wire Enclosure Kit Pin 54 = X, E, R, A .....	252
<b>TABLE 97</b> - Wire Enclosure Kit Pin 54 = N .....	253
<b>TABLE 98</b> - Wire Enclosure Kit Components - Top.....	255
<b>TABLE 99</b> - Wire Enclosure Kit Components - Bottom .....	259
<b>TABLE 100</b> - Acoustical Arrangement, Basic and Level 0 Reduction .....	264
<b>TABLE 101</b> - Top Edge Guard Kit .....	266
<b>TABLE 102</b> - Top Edge Guards.....	267
<b>TABLE 103</b> - Desuperheaters .....	270
<b>TABLE 104</b> - Vibration Isolators .....	272
<b>TABLE 105</b> - Autotransformer .....	273
<b>TABLE 106</b> - Language Kits.....	274

## LIST OF TABLES (CONT'D)

<b>TABLE 107</b> - Flow Switch .....	274
<b>TABLE 108</b> - Differential Pressure Switch .....	274
<b>TABLE 109</b> - Thermal Dispersion Switch .....	274
<b>TABLE 110</b> - E-Link.....	274
<b>TABLE 111</b> - EPROM.....	274
<b>TABLE 112</b> - Logic Board Kits.....	275
<b>TABLE 113</b> - VSD Power Assembly.....	275
<b>TABLE 114</b> - Glycol Kits .....	276
<b>TABLE 115</b> - Temperature Sensors .....	277
<b>TABLE 116</b> - Consumables.....	277
<b>TABLE 117</b> - SI Metric Conversion .....	278

**TABLE 1 - COMPLETE PIN NUMBER DESCRIPTION**

FEATURE	FEATURE DESCRIPTION	OPTION	OPTION DESCRIPTION
MODEL	Model (PIN 1)	Y	York
COMPRTYP	Compressor Type (PIN 2)	V	Variable Speed Screw
CHILLERTYP	Chiller Type (PIN 3)	A	Air-cooled Chiller
DESIGNSER	Design Series (PIN 4)	A	Design Series
UNTDSG	"Unit Designator (PIN 5-8) (PINS 5 through 7 are the Frame Size)"	0153	0153 / 0543
		0543	
		0183	0183 / 0643
		0643	
		0213	0213 / 0743
		0743	
		0233	0233 / 0843
		0843	
		0263	0263 / 0943
		0943	
		0273	0273 / 0963
		0963	
		0303	0303 / 1093
		1093	
		0323	0323 / 1143
		1143	
		0333	0333 / 1173
		1173	
		0343	0343 / 1193
		1193	
		0373	0373 / 1343
		1343	
		0413	0413 / 1443
		1443	
		0443	0443 / 1543
		1543	
		0483	0483 / 1693
		1693	
		0523	0523 / 1843
		1843	
0165	0165 / 0565		
0565			
0195	0195 / 0665		
0665			
0215	0215 / 0765		
0765			
0245	0245 / 0865		
0865			
0275	0275 / 0965		
0965			

**NOTE:** \* Option has not yet been designed

**TABLE 1 - COMPLETE PIN NUMBER DESCRIPTION (CONT'D)**

FEATURE	FEATURE DESCRIPTION	OPTION	OPTION DESCRIPTION
UNTDSG (cont'd)	"Unit Designator (PIN 5-8) (PINS 5 through 7 are the Frame Size)" (cont'd)	0295	0295 / 1015
		1015	
		0305	0305 / 1065
		1065	
		0345	0345 / 1215
		1215	
		0375	0375 / 1315
		1315	
		0425	0425 / 1515
		1515	
		0475	0475 / 1665
		1665	
		0178	0178 / 0588
		0588	
		0198	0198 / 0688
		0688	
		0218	0218 / 0788
		0788	
		0248	0248 / 0888
		0888	
		0278	0278 / 0988
		0988	
		0308	0308 / 1088
		1088	
		0318	0318 / 1188
		1188	
		0368	0368 / 1288
		1288	
		0398	0398 / 1388
		1388	
0428	0428 / 1488		
1488			
0200	0200 / 0700		
0700			
0500	0500 / 1700		
1700			

**NOTE:** \* Option has not yet been designed

**TABLE 1 - COMPLETE PIN NUMBER DESCRIPTION (CONT'D)**

FEATURE	FEATURE DESCRIPTION	OPTION	OPTION DESCRIPTION
FLOADEFF	Full Load Efficiency (PIN 9)		For Marketing Purpose Only!
PLOADEFF	Part Load Efficiency (PIN 10)		For Marketing Purpose Only!
SOUND	Sound (PIN 11)		For Marketing Purpose Only!
VOLTAGE	Voltage (PIN 12, 13)	17	200/3/60
		28	230/3/60
		40	380/3/60
		42	400/3/60
		46	460/3/60
		50	380-415/3/50
		58	575/3/60
MODLVL	Modification Level (PIN 14)	B	Modification level
REF	Refrigerant (PIN 15)	A	R-134a Refrigerant
STARTERTYP	Starter Type (PIN 16)	V	Standard VSD
		R*	VSD with Active Filter
		Q	Special quote
POWERFLD	Power Field (PIN 17)	B	SP Circuit Breaker w/ Lockable Handle
		D	MP Supply TB
		M	MP Circuit Breaker w/Lockable Handle
		N	SP NF Disconnect Switch w/Lockable Handle
		O	SP Supply TB w/Individual Disconnect Switch
		P	MP NF Disconnect Switch w/ Lockable Handle
		S	SP Supply TB
		T	SP Supply TB w/Individual Circuit Breaker
PIN18	PIN 18	X	No selection
		Q	Special quote
PANELOPT	Panel Options (PIN 19)	X	No selection
		O	Convenience outlet
		M*	Convenience Outlet with KW meter
		W*	KW meter
		Q	Special quote
AMB	Ambient Kits (PIN 20)	X	No selection
		B*	Both Low and High Ambient kits
		H	High Ambient kit
		L*	Low Ambient kit
		Q	Special quote
BAS	BAS Reset/Offset (PIN 21)	X	No selection
		B	BAS/EMS Both Temp and Current Reset/Offset
		C	BAS/EMS Current Reset/Offset
		E	E-Link Kit (factory mounted, field commissioned) BACnet/Modbus/N2 output
		L	E-Link Kit (factory mounted, field commissioned) LON output
		T	BAS/EMS Temp Reset/Offset
		Q	Special quote

**NOTE:** \* Option has not yet been designed

**TABLE 1 - COMPLETE PIN NUMBER DESCRIPTION (CONT'D)**

FEATURE	FEATURE DESCRIPTION	OPTION	OPTION DESCRIPTION
LANGDESP	Language/Display (PIN 22)	A	English
		C	English LCD with Chinese keypad overlay
		E*	Chinese
		F	French
		G	German
		H	Hungarian
		I	Italian
		J*	Japanese
		K*	Korean
		L	Polish
		N*	Dutch
		P	Portuguese
		R*	Russian
		S	Spanish
		W*	Swedish
		Z*	Czech
Q*	Special quote		
SYSPARM	System Parameter (PIN 23)	X	No selection
		K	Quick Start
		M	Quick Start and Silent Night / Load limiting control option
		N	Silent Night sound / Load limiting control option
		Q	Special quote
SAFETYCDE	Safety Code (PIN 24)	C	European Safety Code (CE)
		G	China Safety Code (GB)
		L	N. American Safety Code (cUL/cETL)
		Q	Special Safety Code
SENSOR	Sensor (PIN 25)	X	No selection
		Q	Special quote
PUMPCTRL	Pump Control (PIN 26)	X	No selection
		Q	Special quote
REMOTEPNL	Remote Panel (PIN 27)	X	No selection
		O*	Optiview Remote Control Panel
		Q	Special quote
SEQCTRL	Sequence Control (PIN 28)	X	No selection
		S*	Sequence Control & Automatic Lead Transfer = {seq}
		Q	Special quote
FANFQ	Maximum Fan Frequency (PIN 29, 30)		
LWT	Leaving Water Temp (PIN 31, 32)	TS*	Thermal storage

**NOTE:** \* Option has not yet been designed

**TABLE 1 - COMPLETE PIN NUMBER DESCRIPTION (CONT'D)**

FEATURE	FEATURE DESCRIPTION	OPTION	OPTION DESCRIPTION
PIPECODE	Piping Code (PIN 33)	X	No selection
		C	Chicago Code Relief
		R	Dual Relief Valves
		Q	Special quote
METERDEV	Metering Device (PIN 34)	E*	EEV
		D	Data Center / Process Duty (No Orifice)
		I	Constant Full Load Reduced Ambient (Increased Orifice)
		O	Comfort Cooling (Standard Orifice)
		Q	Special quote
VALVEOPT	Valve Options (PIN 35)	X	No selection
		F	Suction and filter dryer service valve
		S	Suction service valve
		Q	Special quote
PIN36	PIN 36	X	No selection
		Q	Special quote
PIN37	PIN 37	X	No selection
		Q	Special quote
CPRVAR	Compressor Variation (PIN 38)	S	Standard Compressor
		V	Optimized Compressor
		Q	Special quote
CPRFQ	Compressor Frequency (PIN 39, 40, 41)		
HTR	Heaters (PIN 42)	X	No selection
		W	Water box heaters
		Q	Special quote
DWP	DWP (PIN 43)	1	150psig DWP Waterside
		3	300psig DWP Waterside
		Q	Special quote
INS	Insulation (PIN 44)	D	Double Thickness
		S	Single Thickness
		Q	Special quote
SHPLOSFLG	Ship Loose Flange Kit (PIN 45)	X	No selection
		F	Victaulic Flanges with welded mating flanges (4 shipped loose)
		M	Weldable flanges with mating weldable flanges (4 shipped loose)
		V	Victaulic Flanges (2 shipped loose)
		W	Weldable flanges (2 shipped loose)
		Q	Special quote

**NOTE:** \* Option has not yet been designed

**TABLE 1 - COMPLETE PIN NUMBER DESCRIPTION (CONT'D)**

FEATURE	FEATURE DESCRIPTION	OPTION	OPTION DESCRIPTION
FLOW	Flow Switch (PIN 46)	X	No selection
		D	One Differential Pressure Switch
		E	Two Differential Pressure Switches
		F	Three Differential Pressure Switches
		G	One Thermal Dispersion Switch
		H	Two Thermal Dispersion Switch
		I	Three Thermal Dispersion Switch
		S	One Flow Switch
		T	Two Flow Switches
		U	Three Flow Switches
		Q	Special quote
VESSEL	Vessel Codes (PIN 47)	A	ASME Pressure Vessel Codes
		E	PED Pressure Vessel Codes
		G	GB Pressure Vessel Codes
		Q	Special quote
CLR	Cooler (PIN 48)	1	Integral One Water Pass Cooler
		2	Integral Two Water Pass Cooler
		3	Integral Triple Water Pass Cooler
		A*	Remote One Water Pass Cooler
		B*	Remote Two Water Pass Cooler
		C*	Remote Triple Water Pass Cooler
		Q	Special quote
EVAPCONN	Evaporator Connection location (PIN 49)	B	Back Fluid Inlet Connection (opposite control panel end)
		F	Front Fluid Inlet Connection (control panel end)
		Q	Special quote
COILS	Coils (PIN 50)	A	Copper tube aluminum fin coils
		B	Pre-Coated Slit-Fin Coils (tube and fin)
		C	Copper Fin Coils (tube and fin)
		E	Pre-Coated Non-Slit Fin Coils (tube and fin)
		M	Microchannel coils
		N	Post-coated Microchannel coils
		P	Post-Coated Dipped Coils (tube and fin)
		Q	Special quote
PIN51	PIN 51	X	No selection
		Q	Special quote

**NOTE:** \* Option has not yet been designed

**TABLE 1 - COMPLETE PIN NUMBER DESCRIPTION (CONT'D)**

FEATURE	FEATURE DESCRIPTION	OPTION	OPTION DESCRIPTION
FANTYP	Fan Type (PIN 52)	F	Low Sound Fans
		G	High Airflow Fans
		H	High Static Fans
		K	High Airflow Fans with Variable Speed Control
		L	Ultra Quiet Fans
		M	Ultra Quiet Fans with Variable Speed Control
		V	Low Sound Fans with Variable Speed Control
		W*	Whisper Quiet Fans
		Z*	Whisper Quiet Fans with Variable Speed Control
		Q	Special quote
ENCLPNL	Enclosure Panels (PIN 53)	X	No selection
		1	Wire (Full Unit) Encl Panels (factory)
		2	Wire (Full Unit) Encl Panels (field)
		3	Wire/Louvered Encl Panels (factory)
		4*	Wire/Louvered Encl Panels (field)
		5	Louvered (cond only) Encl Panels (factory)
		6*	Louvered (cond only) Encl Panels (field)
		7	Louvered (full unit) Encl Panels (factory)
		8	Louvered (full unit) Encl Panels (field)
		9	End Louver (End Hail Guard) Encl Panels (Factory)
		A	End Louver (End Hail Guard) Encl Panels(Field)
		B	V-Guard Panels only (factory)
		C	V-Guard Panels only (field)
		D	V-Guard Panels plus Hail Guards (factory)
		E	V-Guard Panels plus Hail Guards (field)
		F	Top Edge Guard (factory)
		G*	Top Edge Guard (field)
		P	Rear Protection Kit (factory)
		R*	Rear Protection Kit (field)
		Q	Special quote
NOISERDCT	Noise Reduction Kit (PIN 54)	X	Low Noise Kit (level 0 reduction) (factory)
		E	Economical Low Noise kit (factory)
		N	Low Noise kit (level 2 reduction) (factory)
		R	Low Noise kit (level 1 reduction) (factory)
		U*	Low Noise kit (level 3 reduction) (factory)
		A	Low Noise Kit (Basic) (factory)
		Q	Special quote
ISOL	Vibration Isolators (PIN 55)	X	No selection
		1	1" Deflection Isolators
		N	Neoprene Isolators
		S	2" Restrained Spring Isolators
		Q	Special quote

**NOTE:** \* Option has not yet been designed

**TABLE 1 - COMPLETE PIN NUMBER DESCRIPTION (CONT'D)**

FEATURE	FEATURE DESCRIPTION	OPTION	OPTION DESCRIPTION
STRMOD	Structural Modification (PIN 56)	X	No selection
		D	Unit shipped in two pieces
		S*	Seismic Unit
		Q	Special quote
PIN57	PIN 57	X	No selection
		Q	Special quote
SPAPP	Special Applications (PIN 58)	X	No selection
		D	Desuperheater
		F*	Free cooling
		H*	Full heat recovery
		Q	Special quote
PMPPKG	Pump Package (PIN 59)	X	No selection
		Q	Special quote
PMPPKGOPT	Pump Package options (PIN 60)	X	No selection
		Q	Special quote

**NOTE:** \* Option has not yet been designed

**TABLE 2 - VSD / CONTROL PANEL (PIN 12 & 13 = 17 & 28)**

ITEM	MODELS	PIN 17 =	FANS	DESCRIPTION	PART NUMBER	SAP NUMBER	FIGURE
5	0153/0543 - 0278/0988	S, B	All	Relay Control DPST-NO, 120 VAC	024-30441-000	664298	1
7	0153/0543 - 0278/0988	S, B	All	Transformer Class 2	025-27911-000	1312	1
8	0153/0543 - 0278/0988	S, B	All	Shielded 2 Compr Right	071-05183-000	749197	1,4
9	0153/0543 - 0278/0988	S, B	All	Shielded 2/3 Compr	071-05184-000	749198	4
15	0153/0543 - 0278/0988	S, B	All	Fuseholder-Modular, 1-Pole	025-39951-000	359985	1
17	0153/0543 - 0278/0988	S, B	All	Control Voltage	031-02453-000	743895	1
20	0153/0543 - 0278/0988	S, B	All	Control Relay Board	031-02479-001	340702	4
22	0153/0543 - 0278/0988	S, B	All	Resistor, Power Wirewound	025-35953-000	117824	1
23	0153/0543 - 0278/0988	S, B	All	Capacitor DV/DT Network	025-39806-000	251765	1
24	0153/0543 - 0278/0988	S, B	All	Harness DVDT 2 Compr	571-04178-211	806999	1
25	0153/0543 - 0278/0988	S, B	All	Thermal Pad, Resistor, 3/4" Wide	028-15299-000	742121	1
28	0153/0543 - 0278/0988	S, B	All	Control System	031-02478-101	743907	4
31	0153/0543 - 0278/0988	S, B	All	Control Tme Bus Isolator	031-01624-000	743779	1
32	0153/0543 - 0278/0988	S, B	All	Gasket Field Power	028-15246-000	742105	1
33	0153/0543 - 0278/0988	S, B	All	Gasket Customer Conn	028-15247-000	742106	1
34	0153/0543 - 0278/0988	S, B	All	Gasket Circuit Brkt 2 Compr	028-15824-000	651576	4
35	0153/0543 - 0278/0988	S, B	All	Gasket Auto Trans	028-15249-000	742108	1
37	0153/0543 - 0278/0988	S, B	All	Gasket Coil Drive	028-15251-000	742109	2,3
41	0153/0543 - 0278/0988	S, B	All	Cable Trig To Gate	571-04178-251	427924	1,2
42	0153/0543 - 0278/0988	S, B	All	Cable Gate Driver	571-04178-281	427925	2
43	0153/0543 - 0278/0988	S, B	All	Cable Gate Driver	571-04178-282	427926	2
58	0153/0543 - 0278/0988	S, B	All	EPROM, Control Bd	031-02476-010	651584	4
59	0153/0543 - 0278/0988	S, B	All	EPROM, VSD Logic Board	031-03422-010	947512	4
61	0153/0543 - 0278/0988	S, B	All	Switch Keypad	024-34930-000	247624	4
62	0153/0543 - 0278/0988	S, B	All	Display LCD	031-02508-000	743925	4
63	0153/0543 - 0278/0988	S, B	All	Switch, DPST, Two Position	024-34951-000	736122	4
68	0153/0543 - 0278/0988	S, B	All	Cable Ribbon Display	571-04178-261	807007	4,5
69	0153/0543 - 0278/0988	S, B	All	Cable Ribbon Keypad	571-04178-262	505907	4,5
70	0153/0543 - 0278/0988	S, B	All	Cable Ribbon Relay	571-04178-263	807008	4
71	0153/0543 - 0278/0988	S, B	All	Cable Logic To Control	571-04178-271	807015	5
72	0153/0543 - 0278/0988	S, B	All	Stepper Motor (Ets 250) EEV	031-02742-000	744082	1
77	0153/0543 - 0278/0988	S, B	All	Cable Ribbon Relay	571-04178-264	807009	4
88	0153/0543 - 0278/0988	S, B	All	Fuse, Semi Conductor	025-38523-000	739590	1
90	0153/0543 - 0278/0988	S, B	All	Fuse, Cartridge Type 15 Amp	025-35907-000	117822	1
92	0153/0543 - 0278/0988	S, B	All	Fuse, Cartridge Type 15 Amp	025-34141-000	739008	1
93	0153/0543 - 0278/0988	S, B	All	Fuse, Cartridge Type 20 Amp	025-35908-000	117823	1
94	0153/0543 - 0278/0988	S, B	All	Fuse, Cartridge Type 6 Amp	025-35902-000	264466	1
152	0153/0543 - 0278/0988	B	All	Breaker 1200 Amp Brkt (Pin 12 & 13 = 28)	371-05264-003	773861	4
156	0153/0543 - 0278/0988	S, B	All	Lug, Elec Sgl Bbl, #4-500	025-32835-000	738755	1,4
157	0153/0543 - 0278/0988	S, B	All	Inductor Drive 2/4	025-40742-000	739923	2,3
166	0153/0543 - 0278/0988	S, B	All	Control Trigger Board	031-02060-001	743858	1
167	0153/0543 - 0278/0988	S, B	All	Transformer, 2KVA, 480:120VAC	025-40114-001	739751	1

**TABLE 2 - VSD / CONTROL PANEL (PIN 12 & 13 = 17 & 28) (CONT'D)**

ITEM	MODELS	PIN 17 =	FANS	DESCRIPTION	PART NUMBER	SAP NUMBER	FIGURE
168	0153/0543 - 0278/0988	S, B	All	EPROM, Logic Board	031-02649-010	743997	4
169	0153/0543 - 0278/0988	S, B	All	Fan Assy 2 Compr 60Hz	371-04179-502	772591	2,3
172	0153/0543 - 0278/0988	S, B	All	Power Assy 2/4 Compr	371-04181-101	772682	2,3
173	0153/0543 - 0278/0988	S, B	LS/ UQ	Contactor Assy	371-05578-359	774223	1
	0153/0543 - 0278/0988	S, B	HA/ HS		371-05578-383	774224	
174	0153/0543 - 0278/0988	S, B	LS/ UQ	Harness, Main	571-05578-221	807132	5
	0153/0543 - 0278/0988	S, B	HA/ HS	Harness, Main	571-05578-226	807133	
175	0153/0543 - 0278/0988	S, B	All	Trans Drive System #1	371-04178-365	772513	2
176	0153/0543 - 0278/0988	S, B	All	Trans Drive System #2	371-04178-367	772514	2
177	0153/0543 - 0278/0988	S, B	All	Fuseholder-Modular, 3-Pole	025-39952-000	343433	1
178	0153/0543 - 0278/0988	S, B	LS/ UQ	Fuse, Semi, 800A, 700V	025-40763-000	739932	2
	0153/0543 - 0278/0988	S, B	HA/ HS	Fuse, Semi, 900A, 700V	025-40786-000	739934	
181	0153/0543 - 0278/0988	S, B	All	Harness Pwr 2 Compr	571-04178-201	806993	2
182	0153/0543 - 0278/0988	S, B	All	Fuse, Cartridge Type 30 Amp	025-39683-000	739699	1
183	0153/0543 - 0278/0988	S, B	All	Fuse, Cartridge Type 10 Amp	025-35905-000	739234	1
190	0153/0543 - 0278/0988	S, B	All	Control VSD Logic Board	031-02507-000	360014	4

**TABLE 3 - VSD / CONTROL PANEL (PIN 12 & 13 = 40)**

ITEM	MODELS	PIN 17 =	FANS	DESCRIPTION	PART NUMBER	SAP NUMBER	FIGURE
5	0153/0543 - 0523/1843	All	All	Relay Control DPST-NO, 120 VAC	024-30441-000	664298	1
7	0153/0543 - 0523/1843	All	All	Transformer Class 2	025-27911-000	1312	1
8	0153/0543 - 0278/0988	S, B, N	All	Shielded 2 Compr Right	071-05183-000	749197	1,4
	0295/1015 - 0345/1215	S, B, N	All	Shielded 3 Compr Right	071-05187-000	749199	
	0368/1288 - 0523/1843	D, S, M, T, P, O	All	Shield Right Side E/F	071-06161-000	897693	
9	0153/0543 - 0345/1215	S, B, N	All	Shielded 2/3 Compr	071-05184-000	749198	4
	0368/1288 - 0523/1843	D, S, M, T, P, O	All	Shield Left Side E/F	071-06160-000	897692	
15	0153/0543 - 0523/1843	S, B, N, D, S, M, T, P, O	All	Fuseholder-Modular, 1-Pole	025-39951-000	359985	1
17	0153/0543 - 0523/1843	S, B, N, D, S, M, T, P, O	All	Control Voltage	031-02453-000	743895	1
20	0153/0543 - 0523/1843	S, B, N, D, S, M, T, P, O	All	Control Relay Board	031-02479-001	340702	4
22	0153/0543 - 0523/1843	S, B, N, D, S, M, T, P, O	All	Resistor, Power Wirewound	025-35953-000	117824	1
23	0153/0543 - 0523/1843	S, B, N, D, S, M, T, P, O	All	Capacitor DV/DT Network	025-39806-000	251765	1
24	0153/0543 - 0523/1843	S, B, N, D, S, M, T, P, O	All	Harness DVDT 2 Compr	571-04178-211	806999	1
25	0153/0543 - 0523/1843	S, B, N, D, S, M, T, P, O	All	Thermal Pad, Resistor, 3/4" Wide	028-15299-000	742121	1
28	0153/0543 - 0523/1843	S, B, N, D, S, M, T, P, O	All	Control Board	031-02478-101	743907	4
31	0153/0543 - 0345/1215	S, B, N	All	Control Tme Bus Isolator	031-01624-000	743779	1
32	0153/0543 - 0523/1843	S, B, N, D, S, M, T, P, O	All	Gasket Field Power	028-15246-000	742105	1
33	0153/0543 - 0523/1843	S, B, N, D, S, M, T, P, O	All	Gasket Customer Conn	028-15247-000	742106	1
34	0153/0543 - 0345/1215	S, B, N	All	Gasket Circuit Breaker	028-15824-000	651576	4
	0368/1288 - 0523/1843	D, S, M, T, P, O	All		028-15248-000	742107	
35	0153/0543 - 0523/1843	S, B, N, D, S, M, T, P, O	All	Gasket Auto Trans	028-15249-000	742108	1
37	0153/0543 - 0523/1843	S, B, N, D, S, M, T, P, O	All	Gasket Coil Drive	028-15251-000	742109	2,3
41	0153/0543 - 0345/1215	S, B, N	All	Cable Trig To Gate	571-04178-251	427924	1,2
42	0153/0543 - 0345/1215	S, B, N	All	Cable Gate Driver	571-04178-281	427925	2
43	0153/0543 - 0345/1215	S, B, N	All	Cable Gate Driver	571-04178-282	427926	2
58	0153/0543 - 0345/1215	S, B, N	All	EPROM, Control Bd	031-02476-010	651584	4
	0368/1288 - 0523/1843	D, S, M, T, P, O	All		031-02476-013	1055516	
59	0153/0543 - 0345/1215	S, B, N	LS/UQ	EPROM, VSD Logic Board	031-03422-010	947512	4
	0368/1288 - 0523/1843	D, S, M, T, P, O	LS/UQ		031-03422-010	947512	
	0153/0543 - 0523/1843	All	HA/HS		031-03422-010	947512	
61	0153/0543 - 0523/1843	S, B, N, D, S, M, T, P, O	All	Switch Keypad	024-34930-000	247624	4
62	0153/0543 - 0523/1843	S, B, N, D, S, M, T, P, O	All	Display LCD	031-02508-000	743925	4
63	0153/0543 - 0523/1843	S, B, N, D, S, M, T, P, O	All	Switch, DPST, Two Position	024-34951-000	736122	4

**TABLE 3 - VSD / CONTROL (PANEL PIN 12 & 13 = 40) (CONT'D)**

ITEM	MODELS	PIN 17 =	FANS	DESCRIPTION	PART NUMBER	SAP NUMBER	FIGURE
68	0153/0543 - 0278/0988	S, B, N	All	Cable Ribbon Display	571-04178-261	807007	4,5
	0295/1015 - 0345/1215	S, B, N	All		571-04178-268	807013	
	0368/1288 - 0523/1843	D, S, M, T, P, O	All		571-04178-266	807011	
69	0153/0543 - 0278/0988	S, B, N	All	Cable Ribbon Keypad	571-04178-262	505907	4,5
	0295/1015 - 0345/1215	S, B, N	All		571-04178-269	807014	
	0368/1288 - 0523/1843	D, S, M, T, P, O	All		571-04178-267	807012	
70	0153/0543 - 0523/1843	ALL	All	Cable Ribbon Relay	571-04178-263	807008	4
71	0153/0543 - 0523/1843	ALL	All	Cable Logic to Control	571-04178-271	807015	5
72	0153/0543 - 0523/1843	ALL	All	Stepper Motor (Ets 250) EEV	031-02742-000	744082	1
77	0153/0543 - 0523/1843	ALL	All	Cable Ribbon Relay	571-04178-264	807009	4
88	0153/0543 - 0523/1843	ALL	All	Fuse, Semi Conductor	025-38523-000	739590	1
90	0153/0543 - 0523/1843	ALL	All	Fuse, Cartridge, 15 Amp	025-35907-000	117822	1
92	0153/0543 - 0523/1843	ALL	All	Fuse, Cartridge, 15 Amp	025-34141-000	739008	1
93	0153/0543 - 0523/1843	ALL	All	Fuse, Cartridge, 20 Amp	025-35908-000	117823	1
94	0153/0543 - 0523/1843	ALL	All	Fuse, Cartridge, 6 Amp	025-35902-000	264466	1
152	0153/0543 - 0178/0588	B	LS/UQ	Circuit Breaker 500Amp	371-05264-007	773865	4
	0153/0543 - 0178/0588	B	HA/HS	Circuit Breaker 600Amp	371-05264-001	697260	
	0183/0643 - 0198/0688, 0213/0743 - 0218/0788	B	LS/UQ	Circuit Breaker 600Amp	371-05264-001	697260	
	0183/0643 - 0198/0688, 0213/0743 - 0218/0788	B	HA/HS	Circuit Breaker 800Amp	371-05264-006	773864	
	0200/0700, 0233/0843 - 0278/0988	B	LS/UQ	Circuit Breaker 800Amp	371-05264-005	773863	
	0200/0700, 0233/0843 - 0278/0988	B	HA/HS	Circuit Breaker 800Amp	371-05264-005	773863	
	0295/1015 - 0345/1215	B	LS/UQ	Circuit Breaker 1000Amp	371-05264-008	773866	
	0295/1015 - 0345-1215	B	HA/HS	Circuit Breaker 1200Amp	371-05264-009	773867	
	0368/1288 - 0523/1843	M, T	All	Circuit Breaker 800Amp	371-05264-010	897694	
0368/1288 - 0523/1843	P, O	LS/UQ	Circuit Breaker 800A	371-06164-003	897733		
152	0153/0543 - 0178/0588	N	LS/UQ	Kit, Disconnect 600 Amp	371-05271-001	773869	4
	0153/0543 - 0278/0988	N	HA/HS	Kit, Disconnect 800 Amp	371-05271-002	679690	
	0183/0643 - 0278/0988	N	LS/UQ	Kit, Disconnect 800 Amp	371-05271-002	679690	
	0295/1015 - 0345/1215	N	All	Kit, Disconnect, 1200A	371-05271-004	773871	
	0368/1288 - 0523/1843	P, O	HA/HS	Kit, Disconnect, 800A	371-06164-003	897733	
154	0153/0543 - 0178/0588	B	HA/HS	Harness, Power 2 Compr	571-05278-203	807097	4
	0183/0643 - 0278/0988	B	HA/HS		571-04178-206	806997	
	0295/1015 - 0345-1215	B	HA/HS		571-05678-203	807143	
	0153/0543 - 0178/0588	N	HA/HS		571-05578-201	807130	
	0183/0643 - 0278/0988	N	HA/HS		571-05578-202	807131	
	0295/1015 - 0345/1215	N	HA/HS		571-05678-206	807146	
156	0153/0543 - 0523/1843	S, B, N, D, S, M, T, P, O	All	Lug, Elec Sgl Bbl, #4-500	025-32835-000	738755	1,4
157	0153/0543 - 0278/0988	S, B, N	All	Inductor Drive 2	025-40742-000	739923	2,3
	0295/1015 - 0345/1215	S, B, N	All		025-40741-000	739922	
	0368/1288 - 0523/1843	D, S, M, T, P, O	All		025-39676-000	342937	

**TABLE 3 - VSD / CONTROL PANEL (PIN 12 & 13 = 40) (CONT'D)**

ITEM	MODELS	PIN 17 =	FANS	DESCRIPTION	PART NUMBER	SAP NUMBER	FIGURE
166	0153/0543 - 0345/1215	S, B, N	All	Control Trigger Board	031-02060-001	743858	1
167	0153/0543 - 0345/1215	S, B, N	LS/UQ	Transformer, 2KVA, 380:120VAC	025-40114-007	692407	1
	0368/1288 - 0523/1843	D, S, M, T, P, O	LS/UQ	Transformer, 3KVA, 380:120VAC	025-40114-008	739756	
167	0153/0543 - 0345-1215	S, N	HA/HS	Transformer, 2KVA, 380:120VAC	025-40114-007	692407	1
	0153/0543 - 0178/0588, 0200/0700, 0233/0843 - 0345/1215	B	HA/HS				
	0183/0643 - 0198/0688, 0213/0743 - 0218/0788, 0368/1288 - 0523/1843	B, D, S, M, T, P, O	HA/HS	Transformer, 3KVA, 380:120VAC	025-40114-008	739756	
168	0153/0543 - 0178/0588, 0183/0643 - 0198/0688, 0213/0743 - 0218/0788	S, B, N	All	EPROM, Logic Board	031-02649-011	743998	4
	0200/0700, 0233/0843 - 0345/1215	S, B, N	All		031-02649-012	743999	
	0368/1288 - 0523/1843	D, S, M, T, P, O	All		031-02649-013	897648	
169	0153/0543 - 0178/0588	S, B, N	ALL	Fan Assy Drive 2 Compr	371-05278-501	773888	2,3
	0183/0643 - 0198/0688, 0213/0743 - 0218/0788	S	LS/UQ		371-05278-501	773888	
	0183/0643 - 0198/0688, 0213/0743 - 0218/0788	B, N	LS/UQ		371-04179-502	772591	
	0183/0643 - 0198/0688, 0213/0743 - 0218/0788	S, B, N	HA/HS		371-04179-502	772591	
	0200/0700, 0233/0843 - 0278/0988	S, B, N	All		371-04179-513	772596	
	0295/1015 - 0345/1215	S, B, N	All		371-04179-512	772595	
	0368/1288 - 0523/1843	D, S, M, T, P, O	All		371-04180-501	772671	
171	0368/1288 - 0523/1843	D, S, M, T, P, O	All	Power Assy, Sys 1	371-05979-101	873244	3
172	0153/0543 - 0178/0588	S, B, N	LS/UQ	Power Assy 2 Compr	371-05279-101	773890	2,3
	0153/0543 - 0178/0588, 0183/0643 - 0198/0688, 0213/0743 - 0218/0788, 0295/1015 - 0345-1215	S	HA/HS				
	0153/0543 - 0178/0588	B, N	HA/HS				
	0183/0643 - 0198/0688, 0213/0743 - 218/0788	S, B	LS/UQ		371-04181-101	772682	
	0183/0643 - 0198/0688, 0213/0743 - 218/0788	N	LS/UQ		371-04181-104	772685	
	0183/0643 - 0198/0688, 0213/0743 - 0218/0788	B, N	HA/HS				
	0200/0700, 0233/0843 - 0278/0988	S, B, N	LS/UQ		371-05679-101	774330	
	0200/0700, 0233/0843 - 0278/0988	S, B, N	HA/HS				
	0295/1015 - 0345/1215	S, B, N	LS/UQ				
	0295/1015 - 0345-1215	B, N	HA/HS		371-05979-102	873245	
0368/1288 - 0523/1843	D, S, M, T, P, O	All					

**TABLE 3 - VSD / CONTROL PANEL (PIN 12 & 13 = 40) (CONT'D)**

ITEM	MODELS	PIN 17 =	FANS	DESCRIPTION	PART NUMBER	SAP NUMBER	FIGURE
173	0153/0543 - 0345/1215	S, B, N	LS/UQ	Contactor Assy	371-05578-359	774223	1
	0295/1015 - 0345/1215	S, B, N	LS/UQ		371-05678-359	774327	
	0368/1288 - 0523/1843	D, S, M, T, P, O	LS/UQ		371-05980-359	897726	
	0153/0543 - 0278/0988	S, B, N	HA/HS		371-05578-383	774224	
	0295/1015 - 0345-1215	S, B, N	HA/HS		371-05678-384	774328	
	0368/1288 - 0523/1843	D, S, M, T, P, O	HA/HS		371-05980-384	897729	
174	0153/0543 - 0278/0988	S, B, N	LS/UQ	Harness, Main	571-05578-221	807132	5
	0295/1015 - 0345/1215	S, B, N	LS/UQ		571-05678-221	807148	
	0368/1288 - 0523/1843	D, S, M, T, P, O	LS/UQ		571-05980-221	897744	
	0153/0543 - 0278/0988	S, B, N	HA/HS		571-05578-226	807133	
	0295/1015 - 0345-1215	S, B, N	HA/HS		571-05678-226	807149	
	0368/1288 - 0523/1843	D, S, M, T, P, O	HA/HS		571-05980-226	897745	
175	0153/0543 - 0178/0588, 0183/0643 - 0198/0688, 0213/0743 - 0218/0788	S, B, N	LS/UQ	Trans Drive System #1	371-04178-365	772513	2
	0200/0700, 0233/0843 - 0345/1215	S, B, N	LS/UQ		371-04178-369	772515	
	0368/1288 - 0523/1843	D, S, M, T, P, O	LS/UQ		371-05980-365	897727	
	0153/0543 - 0198/0688, 0213/0743 - 0218/0788	S, B, N	HA/HS		371-04178-365	772513	
	0200/0700, 0233/0843 - 0345-1215	S, B, N	HA/HS		371-04178-369	772515	
	0368/1288 - 0523/1843	D, S, M, T, P, O	HA/HS		371-05980-365	897727	
176	0153/0543 - 0178/0588, 0183/0643 - 0198/0688, 0213/0743 - 0218/0788	S, B, N	LS/UQ	Trans Drive System #2	371-04178-367	772514	2
	0200/0700, 0233/0843 - 0345/1215	S, B, N	LS/UQ		371-04178-378	772519	
	0368/1288 - 0523/1843	D, S, M, T, P, O	LS/UQ		371-05980-367	897728	
	0153/0543 - 0198/0688, 0213/0743 - 0218/0788	S, B, N	HA/HS		371-04178-367	772514	
	0200/0700, 0233/0843 - 0345-1215	S, B, N	HA/HS		371-04178-378	772519	
	0368/1288 - 0523/1843	D, S, M, T, P, O	HA/HS		371-05980-367	897728	
177	0153/0543 - 0345/1215	All	All	Fuseholder-Modular, 3-Pole	025-39952-000	343433	1

**TABLE 3 - VSD / CONTROL PANEL (PIN 12 & 13 = 40) (CONT'D)**

ITEM	MODELS	PIN 17 =	FANS	DESCRIPTION	PART NUMBER	SAP NUMBER	FIGURE
178	0153/0543 - 0178/0588	S, B, N	LS/UQ	Fuse, Semi, 630A, 700V	025-42142-000	645566	2
	0183/0643 - 0198/0688, 0213/0743 - 0218/0788	S	LS/UQ				
	0183/0643 - 0198/0688, 0213/0743 - 0218/0788	B, N	LS/UQ	Fuse, Semi, 800A, 700V	025-40763-000	739932	
	0200/0700, 0233/0843 - 0278/0988, 0368/1288 - 0523/1843	S, B, N, D, S, M, T, P, O	LS/UQ	Fuse, Semi, 900A, 700V	025-40786-000	739934	
	0295/1015 - 0345/1215	S, B, N	LS/UQ	Fuse, Semi, 1250A, 700V	025-40764-000	703413	
	0153/0543 - 0178/0588	S, B, N	HA/HS	Fuse, Semi, 700A, 700V	025-39681-000	739698	
	0183/0643 - 0198/0688, 0213/0743 - 0218/0788	S, B, N	HA/HS	Fuse, Semi, 900A, 700V	025-40786-000	739934	
	0200/0700, 0233/0843 - 0278/0988	S, B, N	HA/HS	Fuse, Semi, 1000A, 700V	025-42601-000	703412	
	0295/1015 - 0345-1215	S, B, N	HA/HS	Fuse, Semi, 1400A, 700V	025-40787-000	704041	
	0368/1288 - 0523/1843	D, S, M, T, P, O	HA/HS	Fuse, Semi, 1000A, 700V	025-42601-000	703412	
181	0153/0543 - 0178/0588	S, B, N	All	Harness Pwr 2 Compr	571-05278-201	807095	2
	0183/0643 - 0198/0688, 0213/0743 - 0218/0788	S, B	LS/UQ		571-05278-201	807095	
	0183/0643 - 0198/0688, 0213/0743 - 0218/0788	N	LS/UQ		571-04178-201	806993	
	0183/0643 - 0198/0688, 0213/0743 - 0218/0788	S, B, N	HA/HS		571-04178-201	806993	
	0200/0700, 0233/0843 - 0278/0988	S, B, N	All		571-04178-205	806996	
	0295/1015 - 0345/1215	S, B, N	All		571-05678-201	807141	
	0368/1288 - 0523/1843	D, S, M, T, P, O	HA/HS		571-05980-206	897739	
182	0153/0543 - 0345/1215	S, B, N	LS/UQ	Fuse, Cartridge 30 Amp	025-39683-000	739699	1
	0153/0543 - 0523/1843	ALL	HA/HS				
183	0153/0543 - 0523/1843	All	LS/UQ	Fuse, Cartridge 12 Amp	025-35906-000	652698	1
	0153/0543 - 0345-1215	S, B, N	HA/HS				
184	0368/1288 - 0523/1843	D, S, M, T, P, O	All	Fuse, Cartridge 17-1/2Amp	025-40149-000	342940	1
190	0153/0543 - 0178/0588, 0183/0643 - 0198/0688, 0213/0743 - 0218/0788	S, B, N	All	Control VSD Logic Board	031-02507-100	538835	4
	0200/0700, 0233/0843 - 0345/1215	S, B, N	All		031-02507-000	360014	

**TABLE 4 - VSD / CONTROL PANEL (PIN 12 & 13 = 42)**

ITEM	MODELS	PIN 17 =	FANS	DESCRIPTION	PART NUMBER	SAP NUMBER	FIGURE
5	0153/0543 - 0523/1843	All	All	Relay Control DPST-NO, 120 VAC	024-30441-000	664298	1
7	0153/0543 - 0523/1843	All	All	Transformer Class 2	025-27911-000	1312	1
8	0153/0543 - 0278/0988	S, B, N	All	Shielded 2 Compr Right	071-05183-000	749197	1,4
	0295/1015 - 0345/1215	S, B, N	All	Shield 3 Compr Right	071-05187-000	749199	
	0368/1288 - 0523/1843	D, S, M, T, P, O	All	Shield Right Side E/F	071-06161-000	897693	
9	0153/0543 - 0345/1215	S, B, N	All	Shielded 2/3 Compr	071-05184-000	749198	4
	0368/1288 - 0523/1843	D, S, M, T, P, O	All	Shield Left Side E/F	071-06160-000	897692	
15	0153/0543 - 0523/1843	All	All	Fuseholder-Modular, 1-Pole	025-39951-000	359985	1
17	0153/0543 - 0523/1843	All	All	Control Voltage	031-02453-000	743895	1
20	0153/0543 - 0523/1843	All	All	Control Relay Board	031-02479-001	340702	4
22	0153/0543 - 0523/1843	All	All	Resistor, Power Wirewound	025-35953-000	117824	1
23	0153/0543 - 0523/1843	All	All	Capacitor DV/DT Network	025-39806-000	251765	1
24	0153/0543 - 0523/1843	All	All	Harness DVDT 2 Compr	571-04178-211	806999	1
25	0153/0543 - 0523/1843	All	All	Thermal Pad, Resistor, 3/4" Wide	028-15299-000	742121	1
28	0153/0543 - 0523/1843	All	All	Control Board	031-02478-101	743907	4
31	0153/0543 - 0345/1215	S, B, N	All	Control Tme Bus Isolator	031-01624-000	743779	1
32	0153/0543 - 0523/1843	All	All	Gasket Field Power	028-15246-000	742105	1
33	0153/0543 - 0523/1843	All	All	Gasket Customer Conn	028-15247-000	742106	1
34	0153/0543 - 0345/1215	S, B, N	All	Gasket Circuit Breaker	028-15824-000	651576	4
	0368/1288 - 0523/1843	D, S, M, T, P, O	All		028-15248-000	742107	
35	0153/0543 - 0523/1843	All	All	Gasket Auto Trans	028-15249-000	742108	1
37	0153/0543 - 0523/1843	All	All	Gasket Coil Drive	028-15251-000	742109	2,3
41	0153/0543 - 0345/1215	S, B, N	All	Cable Trig to Gate	571-04178-251	427924	1,2
42	0153/0543 - 0345/1215	S, B, N	All	Cable Gate Driver	571-04178-281	427925	2
	0368/1288 - 0523/1843	D, S, M, T, P, O	All	Control, VSD Logic Board	031-02507-003	947328	
43	0153/0543 - 0345/1215	S, B, N	All	Cable Gate Driver	571-04178-282	427926	2
58	0153/0543 - 0345/1215	S, B, N	All	EPROM, Control Bd	031-02476-010	651584	4
	0368/1288 - 0523/1843	D, S, M, T, P, O	All		031-02476-013	1055516	
59	0153/0543 - 0523/1843	All	All	EPROM, VSD Logic Board	031-03422-010	947512	4
61	0153/0543 - 0523/1843	All	All	Switch Keypad	024-34930-000	247624	4
62	0153/0543 - 0523/1843	All	All	Display LCD	031-02508-000	743925	4
63	0153/0543 - 0523/1843	All	All	Switch, DPST, Two Position	024-34951-000	736122	4
68	0153/0543 - 0278/0988	S, B, N	All	Cable Ribbon Display	571-04178-261	807007	4,5
	0295/1015 - 0345/1215	S, B, N	All		571-04178-268	807013	
	0368/1288 - 0523/1843	D, S, M, T, P, O	All		571-04178-266	807011	

**TABLE 4 - VSD / CONTROL PANEL (PIN 12 & 13 = 42) (CONT'D)**

ITEM	MODELS	PIN 17 =	FANS	DESCRIPTION	PART NUMBER	SAP NUMBER	FIGURE
69	0153/0543 - 0278/0988	S, B, N	All	Cable Keypad To Micro	571-04178-262	505907	4,5
	0295/1015 - 0345/1215	S, B, N	All		571-04178-269	807014	
	0368/1288 - 0523/1843	D, S, M, T, P, O	All		571-04178-267	807012	
70	0153/0543 - 0523/1843	All	All	Cable Ribbon Relay	571-04178-263	807008	4
71	0153/0543 - 0345/1215	S, B, N	All	Cable Logic to Control	571-04178-271	807015	5
72	0153/0543 - 0523/1843	All	All	Stepper Motor (Ets 250) EEV	031-02742-000	744082	1
77	0153/0543 - 0523/1843	All	All	Cable Ribbon Relay	571-04178-264	807009	4
88	0153/0543 - 0523/1843	All	All	Fuse, Semi Conductor	025-38523-000	739590	1
90	0153/0543 - 0523/1843	All	All	Fuse, Cartridge 15 Amp	025-35907-000	117822	1
92	0153/0543 - 0523/1843	All	All	Fuse, Cartridge 15 Amp	025-34141-000	739008	1
93	0153/0543 - 0523/1843	All	All	Fuse, Cartridge 20 Amp	025-35908-000	117823	1
94	0153/0543 - 0523/1843	All	All	Fuse, Cartridge 6 Amp	025-35902-000	264466	1
152	0153/0543 - 0178/0588	B	LS/UQ	Circuit Breaker 500Amp	371-05264-007	773865	4
	0153/0543 - 0178/0588	B	HA/HS	Circuit Breaker 600Amp	371-05264-001	697260	
	0183/0643 - 0198/0688, 0213/0743 - 0218/0788	B	LS/UQ				
	0183/0643 - 0198/0688, 0213/0743 - 0218/0788	B	HA/HS	Circuit Breaker 800Amp	371-05264-006	773864	
	0200/0700, 0233/0843 - 0278/0988	B	All	Circuit Breaker 800Amp	371-05264-005	773863	
	0295/1015 - 0345/1215	B	LS/UQ	Circuit Breaker 1000Amp	371-05264-008	773866	
	0368/1288 - 0523/1843	M, T	All	Circuit Breaker 800Amp	371-05264-010	897694	
152	0153/0543 - 0178/0588	N	LS/UQ	Disconnect, 600 Amp	371-05271-001	773869	4
	0153/0543 - 0278/0988	N	HA/HS	Disconnect, 800 Amp	371-05271-002	679690	
	0183/0643 - 0278/0988	N	LS/UQ				
	0295/1015 - 0345/1215	N	All	Disconnect, 1200A	371-05271-004	773871	
	0295/1015 - 0345/1215	B	HA/HS	Disconnect, 1200A	371-05271-004	773871	
	0368/1288 - 0523/1843	P, O	All	Disconnect, 800A	371-06164-003	897733	

**TABLE 4 - VSD / CONTROL PANEL (PIN 12 & 13 = 42) (CONT'D)**

ITEM	MODELS	PIN 17 =	FANS	DESCRIPTION	PART NUMBER	SAP NUMBER	FIGURE
154	0153/0543 - 0198/0688, 0213/0743 - 0218/0788	S	LS/UQ	Harness, Power	571-05278-204	807098	4
	0153/0543 - 0178/0588	S	HA/HS		571-05278-205	807099	
	0153/0543 - 0178/0588	B	LS/UQ		571-05278-202	807096	
	0153/0543 - 0178/0588	B	HA/HS		571-05278-203	807097	
	0153/0543 - 0178/0588	N	LS/UQ		571-05278-206	807100	
	0153/0543 - 0178/0588	N	HA/HS		571-05578-201	807130	
	0183/0643 - 0278/0988	S	HA/HS		571-04178-207	806998	
	0183/0643 - 0278/0988	B	HA/HS		571-04178-206	806997	
	0183/0643 - 0198/0688, 0213/0743 - 0218/0788	N	LS/UQ		571-05578-201	807130	
	0183/0643 - 0278/0988	N	HA/HS		571-05578-202	807131	
	0200/0700, 0233/0843 - 0278/0988	S	LS/UQ		571-04178-207	806998	
	0200/0700, 0233/0843 - 0278/0988	N	LS/UQ		571-05578-202	807131	
	0295/1015 - 0345/1215	S, B	LS/UQ		571-05678-204	807144	
	0295/1015 - 0345/1215	S	HA/HS		571-05678-203	807143	
	0183/0643 - 0198/0688, 0213/0743 - 0218/0788	B	LS/UQ		571-04178-202	806994	
0200/0700, 0233/0843 - 0278/0988	B	LS/UQ	571-04178-206	806997			
0295/1015 - 0345/1215	N	LS/UQ	571-05678-207	807147			
0295/1015 - 0345/1215	B, N	HA/HS	571-05678-206	807146			
155	0368/1288 - 0523/1843	M, T, P, O	HA/HS	Wiring Power	571-05980-201	897734	*
156	0153/0543 - 0523/1843	All	All	Lug, Elec Sgl Bbl, #4-500	025-32835-000	738755	1,4
157	0153/0543 - 0278/0988	S, B, N	All	Inductor Drive	025-40742-000	739923	2,3
	0295/1015 - 0345/1215	S, B, N	All		025-40741-000	739922	
	0368/1288 - 0523/1843	D, S, M, T, P, O	All		025-39676-000	342937	
166	0153/0543 - 0523/1843	All	All	Control Trigger Board	031-02060-001	743858	1
167	0153/0543 - 0345/1215	S, B, N	All	Transformer, 2KVA, 400:120VAC	025-40114-005	739754	1
	0368/1288 - 0523/1843	D, S, M, T, P, O	All	Transformer, 3KVA, 400:120VAC	025-40114-006	739755	
168	0153/0543 - 0198/0688, 0213/0743 - 0218/078	S, B, N	All	EPROM, Logic Board	031-02649-011	743998	4
	0200/0700, 0233/0843 - 0345/1215	S, B, N	All		031-02649-012	743999	
	0368/1288 - 0523/1843	D, S, M, T, P, O	All		031-02649-013	897648	

**TABLE 4 - VSD / CONTROL PANEL (PIN 12 & 13 = 42) (CONT'D)**

ITEM	MODELS	PIN 17 =	FANS	DESCRIPTION	PART NUMBER	SAP NUMBER	FIGURE
169	0153/0543 - 0178/0588	S, B, N	All	Fan Assy Drive 2 Compr	371-05278-501	773888	2,3
	0183/0643 - 0198/0688, 0213/0743 - 0218/0788	S, B, N	All		371-04179-502	772591	
	0200/0700, 0233/0843 - 0278/0988	S, B, N	All		371-04179-513	772596	
	0295/1015 - 0345/1215	S, B, N	All		371-04179-512	772595	
	0368/1288 - 0523/1843	D, S, M, T, P, O	All		371-04180-501	772671	
171	0368/1288 - 0523/1843	D, S, M, T, P, O	All	Power Assy, Sys 1	371-05979-101	873244	3
172	0153/0543 - 0178/0588	S, B, N	All	Power Assy	371-05279-101	773890	2,3
	0183/0643 - 0198/0688, 0213/0743 - 0218/0788	S, B, N	All		371-04181-101	772682	
	0200/0700, 0233/0843 - 0278/0988	S, B, N	All		371-04181-104	772685	
	0295/1015 - 0345/1215	S, B, N	All		371-05679-101	774330	
	0368/1288 - 0523/1843	D, S, M, T, P, O	All		371-05979-102	873245	
173	0153/0543 - 0278/0988	S, B, N	LS/UQ	Contactor Assy	371-05578-359	774223	1
	0295/1015 - 0345/1215	S, B, N	LS/UQ		371-05678-359	774327	
	0368/1288 - 0523/1843	D, S, M, T, P, O	LS/UQ		371-05980-359	897726	
174	0153/0543 - 0278/0988	S, B, N	LS/UQ	Harness, Main	571-05578-221	807132	5
	0153/0543 - 0278/0988	S, B, N	HA/HS		571-05578-226	807133	
	0295/1015 - 0345/1215	S, B, N	LS/UQ		571-05678-221	807148	
	0295/1015 - 0345/1215	S, B, N	HA/HS		571-05678-226	807149	
	0368/1288 - 0523/1843	D, S, M, T, P, O	LS/UQ		571-05980-221	897744	
	0368/1288 - 0523/1843	D, S, M, T, P, O	HA/HS		571-05980-226	897745	
175	0153/0543 - 0198/0688, 0213/0743 - 0218/078	S, B, N	All	Trans Drive System #1	371-04178-365	772513	2
	0200/0700, 0233/0843 - 0345/1215	S, B, N	All		371-04178-369	772515	
	0368/1288 - 0523/1843	D, S, M, T, P, O	All		371-05980-365	897727	
176	0153/0543 - 0198/0688, 0213/0743 - 0218/078	S, B, N	All	Trans Drive System #2	371-04178-367	772514	2
	0200/0700, 0233/0843 - 0345/1215	S, B, N	All		371-04178-378	772519	
	0368/1288 - 0523/1843	D, S, M, T, P, O	All		371-05980-367	897728	
177	0153/0543 - 0523/1843	All	All	Fuseholder-Modular, 3-Pole	025-39952-000	343433	1

**TABLE 4 - VSD / CONTROL PANEL (PIN 12 & 13 = 42) (CONT'D)**

ITEM	MODELS	PIN 17 =	FANS	DESCRIPTION	PART NUMBER	SAP NUMBER	FIGURE
<b>178</b>	0153/0543 - 0178/0588	S, B, N	LS/UQ	Fuse, 630A, 700V	025-42142-000	645566	2
	0153/0543 - 0178/0588	S, B, N	HA/HS	Fuse, 700A, 700V	025-39681-000	739698	
	0183/0643 - 0198/0688, 0213/0743 - 0218/0788	S, B, N	LS/UQ	Fuse, 800A, 700V	025-40763-000	739932	
	0183/0643 - 0198/0688, 0213/0743 - 0218/0788	S, B, N	HA/HS	Fuse, 900A, 700V	025-40786-000	739934	
	0200/0700, 0233/0843 - 0278/0988	S, B, N	LS/UQ				
	0200/0700, 0233/0843 - 0278/0988	S, B, N	HA/HS	Fuse, 1000A, 700V	025-42601-000	703412	
	0295/1015 - 0345/1215	S, B, N	LS/UQ	Fuse, 1250A, 700V	025-40764-000	703413	
	0295/1015 - 0345/1215	S, B, N	HA/HS	Fuse, 1400A, 700V	025-40787-000	704041	
	0368/1288 - 0523/1843	D, S, M, T, P, O	LS/UQ	Fuse, 900A, 700V	025-40786-000	739934	
	0368/1288 - 0523/1843	D, S, M, T, P, O	HA/HS	Fuse, 1000A, 700V	025-42601-000	703412	
<b>180</b>	0368/1288 - 0523/1843	D, S, M, T, P, O	All	Wiring Power	571-05980-205	897738	*
<b>181</b>	0153/0543 - 0178/0588	S, B, N	All	Harness Power	571-05278-201	807095	2
	0183/0643 - 0198/0688, 0213/0743 - 0218/0788	S, B, N	All		571-04178-201	806993	
	0200/0700, 0233/0843 - 0278/0988	S, B, N	All		571-04178-205	806996	
	0295/1015 - 0345/1215	S, B, N	All		571-05678-201	807141	
	0368/1288 - 0523/1843	D, S, M, T, P, O	All		571-05980-206	897739	
<b>182</b>	0153/0543 - 0523/1843	All	All	Fuse, Cartridge 30 Amp	025-39683-000	739699	1
<b>183</b>	0153/0543 - 0345/1215	S, B, N	All	Fuse, Cartridge 12 Amp	025-35906-000	652698	1
<b>184</b>	0368/1288 - 0523/1843	D, S, M, T, P, O	All	Fuse, Cartridge 17-1/2Amp	025-40149-000	342940	1
<b>190</b>	0153/0543 - 0198/0688, 0213/0743 - 0218/0788	S, B, N	All	Control VSD Logic Brd	031-02507-100	538835	4
	0200/0700, 0233/0843 - 0345-1215	S, B, N	All		031-02507-000	360014	

**NOTE:** Items with an \* are NOT represented.

**TABLE 5 - VSD / CONTROL PANEL (PIN 12 & 13 = 46)**

ITEM	MODELS	PIN 17 =	FANS	DESCRIPTION	PART NUMBER	SAP NUMBER	FIGURE
5	0153/0543 - 0523/1843	All	All	Relay Control, 120 VAC	024-30441-000	664298	1
7	0153/0543 - 0523/1843	All	All	Transformer Class 2	025-27911-000	1312	1
8	0153/0543 - 0278/0988	S, B, N	All	Shielded 2 Compr	071-05183-000	749197	1,4
	0295/1015 - 0345/1215	S, B, N	All		071-05187-000	749199	
	0368/1288 - 0523/1843	D, S, M, T, P, O	All		071-06161-000	897693	
9	0153/0543 - 0345-1215	S, B, N	All	Shielded 2 Compr	071-05184-000	749198	4
	0368/1288 - 0523/1843	D, S, M, T, P, O	All		071-06160-000	897692	
15	0153/0543 - 0523/1843	All	All	Fuseholder, 1-Pole	025-39951-000	359985	1
17	0153/0543 - 0523/1843	All	All	Control Voltage	031-02453-000	743895	1
20	0153/0543 - 0523/1843	All	All	Control Relay Board	031-02479-001	340702	4
22	0153/0543 - 0523/1843	All	All	Resistor, Power	025-35953-000	117824	1
23	0153/0543 - 0523/1843	All	All	Capacitor DV/DT Network	025-39806-000	251765	1
24	0153/0543 - 0523/1843	All	All	Harness DVDT 2 Compr	571-04178-211	806999	1
25	0153/0543 - 0523/1843	All	All	Thermal Pad, Resistor	028-15299-000	742121	1
28	0153/0543 - 0523/1843	All	All	Control Board	031-02478-101	743907	4
31	0153/0543 - 0345-1215	S, B, N	All	Control Tme Bus Isolator	031-01624-000	743779	1
32	0153/0543 - 0523/1843	All	All	Gasket Field Power	028-15246-000	742105	1
33	0153/0543 - 0523/1843	All	All	Gasket Customer Conn	028-15247-000	742106	1
34	0153/0543 - 0345-1215	S, B, N	All	Gasket Circuit Breaker	028-15824-000	651576	4
	0368/1288 - 0523/1843	D, S, M, T, P, O	All		028-15248-000	742107	
35	0153/0543 - 0523/1843	All	All	Gasket Auto Trans	028-15249-000	742108	1
37	0153/0543 - 0523/1843	All	All	Gasket Coil Drive	028-15251-000	742109	2,3
41	0153/0543 - 0345-1215	S, B, N	All	Cable Trig To Gate	571-04178-251	427924	1,2
42	0153/0543 - 0345-1215	S, B, N	All	Cable Gate Driver	571-04178-281	427925	2
43	0153/0543 - 0345-1215	S, B, N	All	Cable Gate Driver	571-04178-282	427926	2
58	0153/0543 - 0345-1215	S, B, N	All	EPROM Control Board	031-02476-010	651584	4
	0368/1288 - 0523/1843	D, S, M, T, P, O	All		031-02476-013	1055516	
59	0153/0543 - 0345-1215	S, B, N	All	EPROM, VSD Logic	031-03422-010	947512	4
61	0153/0543 - 0345-1215	S, B, N	All	Switch Keypad	024-34930-000	247624	4
62	0153/0543 - 0345-1215	S, B, N	All	Display LCD	031-02508-000	743925	4
63	0153/0543 - 0345-1215	S, B, N	All	Switch, Two Position	024-34951-000	736122	4
68	0153/0543 - 0278/0988	S, B, N	All	Cable Display to Micro	571-04178-261	807007	4,5
	0295/1015 - 0345/1215	S, B, N	All		571-04178-268	807013	
	0368/1288 - 0523/1843	D, S, M, T, P, O	All		571-04178-266	807011	
69	0153/0543 - 0278/0988	S, B, N	All	Cable Keypad to Micro	571-04178-262	505907	4,5
	0295/1015 - 0345/1215	S, B, N	All		571-04178-269	807014	
	0368/1288 - 0523/1843	D, S, M, T, P, O	All		571-04178-267	807012	
70	0153/0543 - 0523/1843	All	All	Cable Ribbon Relay	571-04178-263	807008	4
71	0153/0543 - 0345-1215	S, B, N	All	Cable Logic to Control	571-04178-271	807015	5
72	0153/0543 - 0523/1843	All	All	Stepper Motor (Ets 250) EEV	031-02742-000	744082	1
77	0153/0543 - 0523/1843	All	All	Cable Ribbon Relay	571-04178-264	807009	4
88	0153/0543 - 0523/1843	All	All	Fuse, Semi Conductor	025-38523-000	739590	1
90	0153/0543 - 0523/1843	All	All	Fuse, Cartridge 15 Amp	025-35907-000	117822	1

**TABLE 5 - VSD / CONTROL PANEL (PIN 12 & 13 = 46) (CONT'D)**

ITEM	MODELS	PIN 17 =	FANS	DESCRIPTION	PART NUMBER	SAP NUMBER	FIGURE
92	0153/0543 - 0523/1843	All	All	Fuse, Cartridge 15 Amp	025-34141-000	739008	1
93	0153/0543 - 0523/1843	All	All	Fuse, Cartridge 20 Amp	025-35908-000	117823	1
94	0153/0543 - 0523/1843	All	All	Fuse, Cartridge 6 Amp	025-35902-000	264466	1
152	0153/0543 - 0198/0688, 0213/0743 - 0218/0788	B	LS/UQ	Circuit Breaker 500Amp	371-05264-007	773865	4
	0153/0543 - 0198/0688, 0213/0743 - 0218/0788	B	HA/HS	Circuit Breaker 600Amp	371-05264-001	697260	
	0200/0700, 0233/0843 - 0278/0988	B	LS/UQ	Circuit Breaker 600Amp			
	0200/0700, 0233/0843 - 0278/0988	B	HA/HS	Circuit Breaker 800Amp	371-05264-006	773864	
	0295/1015 - 0345/1215	B	LS/UQ	Circuit Breaker 800Amp	371-05264-005	773863	
	0295/1015 - 0345/1215	B	HA/HS	Circuit Breaker 1000Amp	371-05264-008	773866	
	0368/1288 - 0523/1843	M, T	LS/UQ	Circuit Breaker Drive	371-04459-101	772703	
	0368/1288 - 0523/1843	M, T	HA/HS	Circuit Breaker 800Amp	371-05264-006	773864	
152	0153/0543 - 0198/0688, 0213/0743 - 0218/0788	N	LS/UQ	Disconnect, 600Amp	371-05271-001	773869	4
	0153/0543 - 0278/0988	N	HA/HS	Disconnect, 800Amp	371-05271-002	679690	
	0200/0700, 0233/0843 - 0345/1215	N	LS/UQ	Disconnect, 800Amp			
	0295/1015 - 0345/1215	N	HA/HS	Disconnect, 1000Amp	371-05271-003	773870	
	0368/1288 - 0523/1843	P, O	LS/UQ	Disconnect, 600Amp	371-06164-001	897731	
	0368/1288 - 0523/1843	P, O	HA/HS	Disconnect, 800Amp	371-06164-003	897733	
154	0153/0543 - 0278/0988	S	LS/UQ	Harness, Power	571-05278-204	807098	4
	0153/0543 - 0198/0688, 0213/0743 - 0218/0788	S	HA/HS		571-05278-205	807099	
	0153/0543 - 0198/0688, 0213/0743 - 0218/0788	B	LS/UQ		571-05278-202	807096	
	0153/0543 - 0198/0688, 0213/0743 - 0218/0788	B	HA/HS		571-05278-203	807097	
	0153/0543 - 0198/0688, 0213/0743 - 0218/0788	N	LS/UQ		571-05278-206	807100	
	0153/0543 - 0198/0688, 0213/0743 - 0218/0788	N	HA/HS		571-05578-201	807130	
	0200/0700, 0233/0843 - 0278/0988	S	HA/HS		571-04178-207	806998	
	0200/0700, 0233/0843 - 0278/0988	B	LS/UQ		571-04178-202	806994	
	0200/0700, 0233/0843 - 0278/0988	N	LS/UQ		571-05578-201	807130	
	0200/0700, 0233/0843 - 0278/0988	B	HA/HS		571-04178-206	806997	
	0200/0700, 0233/0843 - 0278/0988	N	HA/HS		571-05578-202	807131	
	0295/1015 - 0345/1215	B	LS/UQ		571-05678-202	807142	
	0295/1015 - 0345/1215	S	LS/UQ				
	0295/1015 - 0345/1215	S, B	HA/HS				
	0295/1015 - 0345/1215	N	LS/UQ				
0295/1015 - 0345/1215	N	HA/HS					
				571-05678-205	807145		

**TABLE 5 - VSD / CONTROL PANEL (PIN 12 & 13 = 46) (CONT'D)**

ITEM	MODELS	PIN 17 =	FANS	DESCRIPTION	PART NUMBER	SAP NUMBER	FIGURE
155	0368/1288 - 0523/1843	D, S, M, T, P, O	LS/UQ	Wiring Power	571-05980-210	897743	*
	0368/1288 - 0523/1843	M, T, P, O	HA/HS		571-05980-209	897742	
156	0153/0543 - 0523/1843	All	All	Lug, Elec Sgl Bbl, #4-500	025-32835-000	738755	1,4
157	0153/0543 - 0278/0988	S, B, N	All	Inductor Drive	025-40742-000	739923	2,3
	0295/1015 - 0345/1215	S, B, N	All		025-39676-000	342937	
	0368/1288 - 0523/1843	D, S, M, T, P, O	All		025-40742-000	739923	
166	0153/0543 - 0345-1215	S, B, N	All	Control Trigger Board	031-02060-001	743858	1
167	0153/0543 - 0345-1215	S, B, N	All	Transformer, 2KVA, 480:120VAC	025-40114-001	739751	1
	0368/1288 - 0523/1843	D, S, M, T, P, O	All	Transformer 3KVA, 480:120 VAC;	025-40114-003	739752	
168	0153/0543 - 0278/0988	S, B, N	All	EPROM, Logic Board	031-02649-010	743997	4
	0295/1015 - 0345/1215	S, B, N	All		031-02649-012	743999	
	0368/1288 - 0523/1843	D, S, M, T, P, O	All		031-02649-014	1031009	
169	0153/0543 - 0198/0688, 0213/0743 - 0218/0788	S, B, N	All	Fan Assy Drive	371-05278-501	773888	2,3
	0200/0700, 0233/0843 - 0278/0988	S, B, N	All		371-04179-502	772591	
	0295/1015 - 0345/1215	S, B, N	All		371-04179-512	772595	
	0368/1288 - 0523/1843	D, S, M, T, P, O	All		371-04180-501	772671	
171	0368/1288 - 0523/1843	D, S, M, T, P, O	All	Power Assy, Sys 1	371-05979-101	873244	3
172	0153/0543 - 0278/0988	S, B	LS/UQ	Power Assy, Sys 2	371-05279-101	773890	2,3
	0153/0543 - 0198/0688, 0213/0743 - 0218/0788	N	LS/UQ				
	0153/0543 - 0198/0688, 0213/0743 - 0218/0788	S, B, N	HA/HS				
	0200/0700, 0233/0843 - 0278/0988	N	LS/UQ		371-04181-101	772682	
	0200/0700, 0233/0843 - 0278/0988	S, B, N	HA/HS				
	0295/1015 - 0345/1215	S, B, N	All				
	0368/1288 - 0523/1843	D, S, M, T, P, O	All				
173	0153/0543 - 0278/0988	S, B, N	LS/UQ	Contactor Assy	371-05578-359	774223	1
	0153/0543 - 0278/0988	S, B, N	HA/HS		371-05578-383	774224	
	0295/1015 - 0345/1215	S, B, N	LS/UQ		371-05678-359	774327	
	0295/1015 - 0345/1215	S, B, N	HA/HS		371-05678-384	774328	
	0368/1288 - 0523/1843	D, S, M, T, P, O	LS/UQ		371-05980-359	897726	
	0368/1288 - 0523/1843	D, S, M, T, P, O	HA/HS		371-05980-384	897729	
	174	0153/0543 - 0278/0988	S, B, N		LS/UQ	Harness, Main	
0153/0543 - 0278/0988		S, B, N	HA/HS	571-05578-226	807133		
0295/1015 - 0345/1215		S, B, N	LS/UQ	571-05678-221	807148		
0295/1015 - 0345/1215		S, B, N	HA/HS	571-05678-226	807149		
0368/1288 - 0523/1843		D, S, M, T, P, O	LS/UQ	571-05980-221	897744		
0368/1288 - 0523/1843		D, S, M, T, P, O	HA/HS	571-05980-226	897745		

**TABLE 5 - VSD / CONTROL PANEL (PIN 12 & 13 = 46) (CONT'D)**

ITEM	MODELS	PIN 17 =	FANS	DESCRIPTION	PART NUMBER	SAP NUMBER	FIGURE
175	0153/0543 - 0278/0988	S, B, N	All	Trans Drive System #1	371-04178-365	772513	2
	0295/1015 - 0345/1215	S, B, N	All		371-04178-369	772515	
	0368/1288 - 0523/1843	D, S, M, T, P, O	All		371-05980-365	897727	
176	0153/0543 - 0278/0988	S, B, N	All	Trans Drive System #2	371-04178-367	772514	2
	0295/1015 - 0345/1215	S, B, N	All		371-04178-378	772519	
	0368/1288 - 0523/1843	D, S, M, T, P, O	All		371-05980-367	897728	
177	0153/0543 - 0523/1843	All	All	Fuseholder-Modular, 3-Pole	025-39952-000	343433	1
178	0153/0543 - 0198/0688, 0213/0743 - 0218/0788	S, B, N	LS/UQ	Fuse, Semi, 630A, 700V	025-42142-000	645566	2
	0153/0543 - 0278/0988	S, B	HA/HS	Fuse, Semi, 700A, 700V	025-39681-000	739698	
	0153/0543 - 0198/0688, 0213/0743 - 0218/0788	N	HA/HS				
	0200/0700, 0233/0843 - 0278/0988	S, B, N	LS/UQ	Fuse, Semi, 800A, 700V	025-40763-000	739932	
	0200/0700, 0233/0843 - 0278/0988	N	HA/HS	Fuse, Semi, 900A, 700V	025-40786-000	739934	
	0295/1015 - 0345/1215	S, B, N	LS/UQ	Fuse, Semi, 1000A, 700V	025-42601-000	703412	
	0295/1015 - 0345/1215	S, B	HA/HS				
	0295/1015 - 0345/1215	N	HA/HS				
	0368/1288 - 0523/1843	D, S, M, T, P, O	HA/HS	Fuse, Semi, 900A, 700V	025-40786-000	739934	
0368/1288 - 0523/1843	D, S, M, T, P, O	LS/UQ	Fuse, Semi, 800A, 700V	025-40763-000	739932		
180	0368/1288 - 0523/1843	D, S, M, T, P, O	All	Wiring Power Sys 1	571-05980-207	897740	*
181	0153/0543 - 0198/0688, 0213/0743 - 0218/0788	S, B, N	All	Harness Power 2 Compr	571-05278-201	807095	2
	0200/0700, 0233/0843 - 0278/0988	S, B, N	All		571-04178-201	806993	
	0295/1015 - 0345/1215	S, B, N	All		571-05678-201	807141	
	0368/1288 - 0523/1843	D, S, M, T, P, O	All		571-05980-208	897741	
182	0153/0543 - 0523/1843	All	All	Fuse, Cartridge 30Amp	025-39683-000	739699	1
183	0153/0543 - 0345-1215	S, B, N	All	Fuse, Cartridge 10Amp	025-35905-000	739234	1
190	0153/0543 - 0345-1215	S, B, N	All	Control, VSD Logic Board	031-02507-000	360014	4
	0368/1288 - 0523/1843	D, S, M, T, P, O	All		031-02507-003	947328	

**NOTE:** Items with an \* are NOT represented.

**TABLE 6 - VSD / CONTROL PANEL (PIN 12 & 13 = 50)**

ITEM	MODELS	PIN 17 =	FANS	DESCRIPTION	PART NUMBER	SAP NUMBER	FIGURE
5	0153/0543 - 0523/1843	All	All	Relay Control, 120 VAC	024-30441-000	664298	1
7	0153/0543 - 0523/1843	All	All	Transformer Class 2	025-27911-000	1312	1
8	0153/0543 - 0278/0988	S, B, N	All	Shielded 2 Compr Right	071-05183-000	749197	1,4
	0295/1015 - 0345/1215	S, B, N	All		071-05187-000	749199	
	0368/1288 - 0523/1843	D, S, M, T, P, O	All		071-06161-000	897693	
9	0153/0543 - 0345/1215	S, B, N	All	Shielded 2 Compr Left	071-05184-000	749198	4
	0368/1288 - 0523/1843	D, S, M, T, P, O	All		071-06160-000	897692	
15	0153/0543 - 0523/1843	All	All	Fuseholder, 1-Pole	025-39951-000	359985	1
17	0153/0543 - 0523/1843	All	All	Control Voltage	031-02453-000	743895	1
20	0153/0543 - 0523/1843	All	All	Control Relay Board	031-02479-001	340702	4
22	0153/0543 - 0523/1843	All	All	Resistor, Power	025-35953-000	117824	1
23	0153/0543 - 0523/1843	All	All	Capacitor DV/DT	025-39806-000	251765	1
24	0153/0543 - 0523/1843	All	All	Harness DVDT 2 Compr	571-04178-211	806999	1
25	0153/0543 - 0523/1843	All	All	Thermal Pad, Resistor	028-15299-000	742121	1
28	0153/0543 - 0523/1843	All	All	Control Board	031-02478-101	743907	4
31	0153/0543 - 0345/1215	S, B, N	All	Control Bus Isolator	031-01624-000	743779	1
32	0153/0543 - 0523/1843	All	All	Gasket Field Power	028-15246-000	742105	1
33	0153/0543 - 0523/1843	All	All	Gasket Customer Conn	028-15247-000	742106	1
34	0153/0543 - 0345/1215	S, B, N	All	Gasket Circuit Breaker	028-15824-000	651576	4
	0368/1288 - 0523/1843	D, S, M, T, P, O	All		028-15248-000	742107	
35	0153/0543 - 0523/1843	All	All	Gasket Auto Trans	028-15249-000	742108	1
37	0153/0543 - 0523/1843	All	All	Gasket Coil Drive	028-15251-000	742109	2,3
41	0153/0543 - 0345/1215	S, B, N	All	Cable Trig to Gate	571-04178-251	427924	1,2
42	0153/0543 - 0345/1215	S, B, N	All	Cable Gate Driver	571-04178-281	427925	2
43	0153/0543 - 0345/1215	S, B, N	All	Cable Gate Driver	571-04178-282	427926	2
58	0153/0543 - 0345/1215	S, B, N	All	EPROM Control Bd	031-02476-010	651584	4
	0368/1288 - 0523/1843	D, S, M, T, P, O	All		031-02476-013	1055516	
59	0153/0543 - 0523/1843	All	All	EPROM, VSD Logic	031-03422-010	947512	4
61	0153/0543 - 0523/1843	All	All	Switch Keypad	024-34930-000	247624	4
62	0153/0543 - 0523/1843	All	All	Display LCD	031-02508-000	743925	4
63	0153/0543 - 0523/1843	All	All	Switch, Two Position	024-34951-000	736122	4
68	0153/0543 - 0278/0988	S, B, N	All	Cable Display to Micro	571-04178-261	807007	4,5
	0295/1015 - 0345/1215	S, B, N	All		571-04178-268	807013	
	0368/1288 - 0523/1843	D, S, M, T, P, O	All		571-04178-266	807011	
69	0153/0543 - 0278/0988	S, B, N	All	Cable Keypad to Micro	571-04178-262	505907	4,5
	0295/1015 - 0345/1215	S, B, N	All		571-04178-269	807014	
	0368/1288 - 0523/1843	D, S, M, T, P, O	All		571-04178-267	807012	
70	0153/0543 - 0523/1843	All	All	Cable Ribbon Relay	571-04178-263	807008	4
71	0153/0543 - 0345/1215	S, B, N	All	Cable Logic to Control	571-04178-271	807015	5
72	0153/0543 - 0523/1843	All	All	Stepper Motor EEV	031-02742-000	744082	1
77	0153/0543 - 0523/1843	All	All	Cable Ribbon Relay	571-04178-264	807009	4
88	0153/0543 - 0523/1843	All	All	Fuse, Semi Conductor	025-38523-000	739590	1
90	0153/0543 - 0523/1843	All	All	Fuse, Cartridge 15 Amp	025-35907-000	117822	1
92	0153/0543 - 0523/1843	All	All	Fuse, Cartridge 15 Amp	025-34141-000	739008	1

**TABLE 6 - VSD / CONTROL PANEL (PIN 12 & 13 = 50) (CONT'D)**

ITEM	MODELS	PIN 17 =	FANS	DESCRIPTION	PART NUMBER	SAP NUMBER	FIGURE	
93	0153/0543 - 0523/1843	All	All	Fuse, Cartridge 20Amp	025-35908-000	117823	1	
94	0153/0543 - 0523/1843	All	All	Fuse, Cartridge 6Amp	025-35902-000	264466	1	
152	0153/0543 - 0178/0588	B	LS/UQ	Circuit Breaker 500Amp	371-05264-007	773865	4	
	0153/0543 - 0178/0588	B	HA/HS		Circuit Breaker 600Amp	371-05264-001		697260
	0183/0643 - 0198/0688, 0213/0743 - 0218/0788	B	LS/UQ	Circuit Breaker 800Amp		371-05264-005		773863
	0183/0643 - 0278/0988	B	HA/HS		Circuit Breaker 200Amp	371-05264-009		773867
	0200/0700, 0233/0843 - 0278/0988	B	LS/UQ	Circuit Breaker 1000Amp		371-05264-008		773866
	0295/1015 - 0345/1215	B	HA/HS			Circuit Breaker 800Amp		371-05264-010
	0295/1015 - 0345/1215	B	LS/UQ					
0368/1288 - 0523/1843	M, T	All						
152	0153/0543 - 0178/0588	N	LS/UQ	Kit, Disconnect 600Amp	371-05271-001	773869	4	
	0153/0543 - 0278/0988	N	HA/HS		Kit, Disconnect 800Amp	371-05271-002		679690
	0183/0643 - 0278/0988	N	LS/UQ	Kit, Disconnect, 1000A		371-05271-003		773870
	0295/1015 - 0345/1215	N	LS/UQ		Kit, Disconnect, 1200A	371-05271-004		773871
	0295/1015 - 0345/1215	N	HA/HS	Kit, Disconnect, 800A		371-06164-003		897733
	0368/1288 - 0523/1843	P, O	All					
154	0153/0543 - 0198/0688, 0213/0743 - 0218/0788	S	LS/UQ	Harness, Power	571-05278-204	807098	4	
	0153/0543 - 0178/0588	S	HA/HS		571-05278-205	807099		
	0153/0543 - 0178/0588	B	LS/UQ		571-05278-202	807096		
	0153/0543 - 0178/0588	B	HA/HS		571-05278-203	807097		
	0153/0543 - 0178/0588	N	LS/UQ		571-05278-206	807100		
	0153/0543 - 0178/0588	N	HA/HS		571-05578-201	807130		
	0183/0643 - 0198/0688, 0213/0743 - 0218/0788	B	LS/UQ		571-04178-202	806994		
	0183/0643 - 0278/0988	S	HA/HS		571-04178-207	806998		
	0183/0643 - 0278/0988	B	HA/HS		571-04178-206	806997		
	0183/0643 - 0198/0688, 0213/0743 - 0218/0788	N	LS/UQ		571-05578-201	807130		
	0183/0643 - 0278/0988	N	HA/HS		571-05578-202	807131		
	0200/0700, 0233/0843 - 0278/0988	S	LS/UQ		571-04178-207	806998		
	0200/0700, 0233/0843 - 0278/0988	B	LS/UQ		571-04178-206	806997		
	0200/0700, 0233/0843 - 0278/0988	N	LS/UQ		571-05578-202	807131		
	0295/1015 - 0345/1215	S	LS/UQ		571-05678-204	807144		
	0295/1015 - 0345/1215	S, B	HA/HS		571-05678-203	807143		
	0295/1015 - 0345/1215	B	LS/UQ		571-05678-204	807144		
	0295/1015 - 0345/1215	N	LS/UQ		571-05678-207	807147		
0295/1015 - 0345/1215	N	HA/HS	571-05678-206	807146				
155	0368/1288 - 0523/1843	D, S	All	Wiring Power	571-05980-203	897736	*	
	0368/1288 - 0523/1843	M, T, P, O	All		571-05980-201	897734		

**TABLE 6 - VSD / CONTROL PANEL (PIN 12 & 13 = 50) (CONT'D)**

ITEM	MODELS	PIN 17 =	FANS	DESCRIPTION	PART NUMBER	SAP NUMBER	FIGURE
156	0153/0543 - 0523/1843	All	All	Lug, Elec #4-500	025-32835-000	738755	1,4
157	0153/0543 - 0278/0988	S, B, N	All	Inductor Drive	025-40742-000	739923	2,3
	0295/1015 - 0345/1215	S, B, N	All		025-40741-000	739922	
	0368/1288 - 0523/1843	D, S, M, T, P, O	All		025-39676-000	342937	
166	0153/0543 - 0345/1215	S, B, N	All	Control Trigger Board	031-02060-002	63166	1
167	0153/0543 - 0345/1215	S, B, N	All	Transformer, 2KVA, 400:120VAC	025-40114-005	739754	1
	0368/1288 - 0523/1843	D, S, M, T, P, O	All	Transformer, 3KVA, 400:120VAC	025-40114-006	739755	
168	0153/0543 - 0198/0688, 0213/0743 - 0218/0788	S, B, N	All	EPROM, Logic Board	031-02649-011	743998	4
	0200/0700, 0233/0843 - 0345/1215	S, B, N	All		031-02649-012	743999	
	0368/1288 - 0523/1843	D, S, M, T, P, O	All		031-02649-013	897648	
169	0153/0543 - 0198/0688, 0213/0743 - 0218/0788	S, B, N	All	Fan Assy Drive	371-05278-501	773888	2,3
	0200/0700, 0233/0843 - 0278/0988	S, B, N	All		371-04179-501	772590	
	0295/1015 - 0345/1215	S, B, N	All		371-04179-512	772595	
	0368/1288 - 0523/1843	D, S, M, T, P, O	All		371-04180-502	772672	
171	0368/1288 - 0523/1843	D, S, M, T, P, O	All	Power Assy, Sys 1	371-05979-101	873244	3
172	0153/0543 - 0178/0588	S, B, N	All	Power Assy, Sys 2	371-05279-101	773890	2,3
	0183/0643 - 0198/0688, 0213/0743 - 0218/0788	S, B, N	All		371-04181-101	772682	
	0200/0700, 0233/0843 - 0278/0988	S, B, N	All		371-04181-104	772685	
	0295/1015 - 0345/1215	S, B, N	All		371-05679-101	774330	
	0368/1288 - 0523/1843	D, S, M, T, P, O	All		371-05979-102	873245	
173	0153/0543 - 0278/0988	S, B, N	LS/UQ	Contactor Assy	371-05578-359	774223	1
	0153/0543 - 0278/0988	S, B, N	HA/HS		371-05578-383	774224	
	0295/1015 - 0345/1215	S, B, N	LS/UQ		371-05678-359	774327	
	0295/1015 - 0345/1215	S, B, N	HA/HS		371-05678-384	774328	
	0368/1288 - 0523/1843	D, S, M, T, P, O	LS/UQ		371-05980-359	897726	
	0368/1288 - 0523/1843	D, S, M, T, P, O	HA/HS		371-05980-384	897729	
174	0153/0543 - 0278/0988	S, B, N	LS/UQ	Harness, Main	571-05578-221	807132	5
	0153/0543 - 0278/0988	S, B, N	HA/HS		571-05578-226	807133	
	0295/1015 - 0345/1215	S, B, N	LS/UQ		571-05678-221	807148	
	0295/1015 - 0345/1215	S, B, N	HA/HS		571-05678-226	807149	
	0368/1288 - 0523/1843	D, S, M, T, P, O	LS/UQ		571-05980-221	897744	
	0368/1288 - 0523/1843	D, S, M, T, P, O	HA/HS		571-05980-226	897745	
175	0153/0543 - 0198/0688, 0213/0743 - 0218/0788	S, B, N	All	Trans Drive System #1	371-04178-365	772513	2
	0200/0700, 0233/0843 - 0345/1215	S, B, N	All		371-04178-369	772515	
	0368/1288 - 0523/1843	D, S, M, T, P, O	All		371-05980-365	897727	

**TABLE 6 - VSD / CONTROL PANEL (PIN 12 & 13 = 50) (CONT'D)**

ITEM	MODELS	PIN 17 =	FANS	DESCRIPTION	PART NUMBER	SAP NUMBER	FIGURE
176	0153/0543 - 0198/0688, 0213/0743 - 0218/0788	S, B, N	All	Trans Drive System #2	371-04178-367	772514	2
	0200/0700, 0233/0843 - 0345/1215	S, B, N	All		371-04178-378	772519	
	0368/1288 - 0523/1843	D, S, M, T, P, O	All		371-05980-367	897728	
177	0153/0543 - 0523/1843	All	All	Fuseholder, 3-Pole	025-39952-000	343433	1
178	0153/0543 - 0178/0588	S, B, N	LS/UQ	Fuse, 630A, 700V	025-42142-000	645566	2
	0153/0543 - 0178/0588	S, B, N	HA/HS	Fuse, 700A, 700V	025-39681-000	739698	
	0183/0643 - 0198/0688, 0213/0743 - 0218/0788	S, B, N	LS/UQ	Fuse, 800A, 700V	025-40763-000	739932	
	0183/0643 - 0198/0688, 0213/0743 - 0218/0788	S, B, N	HA/HS	Fuse, 900A, 700V	025-40786-000	739934	
	0200/0700, 0233/0843 - 0278/0988	S, B, N	LS/UQ				
	0200/0700, 0233/0843 - 0278/0988	S, B, N	HA/HS	Fuse, 1000A, 700V	025-42601-000	703412	
	0295/1015 - 0345/1215	S, B, N	LS/UQ	Fuse, 1250A, 700V	025-40764-000	703413	
	0295/1015 - 0345/1215	S, B, N	HA/HS	Fuse, 1400A, 700V	025-40787-000	704041	
	0368/1288 - 0523/1843	D, S, M, T, P, O	LS/UQ	Fuse, 900A, 700V	025-40786-000	739934	
	0368/1288 - 0523/1843	D, S, M, T, P, O	HA/HS	Fuse, 1000A, 700V	025-42601-000	703412	
180	0368/1288 - 0523/1843	D, S, M, T, P, O	All	Wiring Power Sys 1	571-05980-205	897738	*
181	0153/0543 - 0178/0588	S, B, N	All	Wiring Power Sys 2	571-05278-201	807095	2
	0183/0643 - 0198/0688, 0213/0743 - 0218/0788	S, B, N	All		571-04178-201	806993	
	0200/0700, 0233/0843 - 0278/0988	S, B, N	All		571-04178-205	806996	
	0295/1015 - 0345/1215	S, B, N	All		571-05678-201	807141	
	0368/1288 - 0523/1843	D, S, M, T, P, O	All		571-05980-206	897739	
182	0153/0543 - 0523/1843	All	All	Fuse, Cartridge 30 Amp	025-39683-000	739699	1
183	0153/0543 - 0345/1215	S, B, N	All	Fuse, Cartridge 12 Amp	025-35906-000	652698	1
190	0153/0543 - 0198/0688, 0213/0743 - 0218/0788	S, B, N	All	Control VSD Logic Brd	031-02507-100	538835	4
	0200/0700, 0233/0843 - 0345/1215	S, B, N	All		031-02507-000	360014	
	0368/1288 - 0523/1843	D, S, M, T, P, O	All		031-02507-003	947328	

**NOTE:** Items with an \* are NOT represented.

**TABLE 7 - VSD / CONTROL PANEL (PIN 12 & 13 = 58)**

ITEM	MODELS	PIN 17 =	FANS	DESCRIPTION	PART NUMBER	SAP NUMBER	FIGURE
5	0153/0543 - 0523/1843	All	All	Relay Control, 120 VAC	024-30441-000	664298	1
7	0153/0543 - 0523/1843	All	All	Transformer Class 2	025-27911-000	1312	1
8	0153/0543 - 0278/0988	S, B, N	LS/UQ	Shielded 2 Compr Right	071-05183-000	749197	1,4
	0153/0543 - 0278/0988	S, B	HA/HS				
	0153/0543 - 0345/1215	N	HA/HS				
	0295/1015 - 0345/1215	S, B, N	LS/UQ		071-05187-000	749199	
	0295/1015 - 0345/1215	S, B	HA/HS		071-06161-000	897693	
	0368/1288 - 0523/1843	D, S, P, O	LS/UQ				
	0368/1288 - 0523/1843	D, A, M, T, P, O	HA/HS				
0368/1288 - 0523/1843	M, T	LS/UQ	071-05187-000	749199			
9	0153/0543 - 0345/1215	S, B, N	LS/UQ	Shield Left Side	071-05184-000	749198	4
	0153/0543 - 0345/1215	S, B, N	HA/HS				
	0368/1288 - 0523/1843	D, S, P, O	LS/UQ		071-06160-000	897692	
	0368/1288 - 0523/1843	D, A, M, T, P, O	HA/HS		071-05184-000	749198	
	0368/1288 - 0523/1843	M, T	LS/UQ				
15	0153/0543 - 0523/1843	All	All	Fuseholder, 1-Pole	025-39951-000	359985	1
17	0153/0543 - 0523/1843	All	All	Control Voltage	031-02453-000	743895	1
20	0153/0543 - 0523/1843	All	All	Control Relay Board	031-02479-001	340702	4
22	0153/0543 - 0523/1843	All	All	Resistor, Power	025-35953-000	117824	1
23	0153/0543 - 0523/1843	All	All	Capacitor DV/DT	025-39806-000	251765	1
24	0153/0543 - 0523/1843	All	All	Harness DVDT 2 Compr	571-04178-211	806999	1
25	0153/0543 - 0523/1843	All	All	Thermal Pad, Resistor	028-15299-000	742121	1
28	0153/0543 - 0523/1843	All	All	Control Board	031-02478-101	743907	4
31	0153/0543 - 0345/1215	S, B, N	All	Control Tme Bus Isolator	031-01624-000	743779	1
32	0153/0543 - 0523/1843	All	All	Gasket Field Power	028-15246-000	742105	1
33	0153/0543 - 0523/1843	All	All	Gasket Customer Conn	028-15247-000	742106	1
34	0153/0543 - 0345/1215	S, B, N	All	Gasket Circuit Breaker	028-15824-000	651576	4
	0368/1288 - 0523/1843	D, S, M, T, P, O	All		028-15248-000	742107	
35	0153/0543 - 0523/1843	All	All	Gasket Auto Trans	028-15249-000	742108	1
37	0153/0543 - 0523/1843	All	All	Gasket Coil Drive	028-15251-000	742109	2,3
41	0153/0543 - 0345/1215	S, B, N	All	Cable Trig To Gate	571-04178-251	427924	1,2
42	0153/0543 - 0345/1215	S, B, N	All	Cable Gate Driver	571-04178-281	427925	2
43	0153/0543 - 0345/1215	S, B, N	All	Cable Gate Driver	571-04178-282	427926	2
58	0153/0543 - 0345/1215	S, B, N	All	EPROM, Control Board	031-02476-010	651584	4
	0368/1288 - 0523/1843	D, S, P, O	LS/UQ		031-02476-013	1055516	
	0368/1288 - 0523/1843	M, T	LS/UQ		031-02476-010	651584	
	0368/1288 - 0523/1843	D, A, M, T, P, O	HA/HS		031-02476-013	1055516	
59	0153/0543 - 0523/1843	All	All	EPROM, Logic Board	031-03422-010	947512	4
61	0153/0543 - 0523/1843	All	All	Switch Keypad	024-34930-000	247624	4
62	0153/0543 - 0523/1843	All	All	Display LCD	031-02508-000	743925	4
63	0153/0543 - 0523/1843	All	All	Switch, Two Position	024-34951-000	736122	4

**TABLE 7 - VSD / CONTROL PANEL (PIN 12 & 13 = 58) (CONT'D)**

ITEM	MODELS	PIN 17 =	FANS	DESCRIPTION	PART NUMBER	SAP NUMBER	FIGURE
68	0153/0543 - 0278/0988	S, B, N	LS/UQ	Cable Display to Micro	571-04178-261	807007	4,5
	0153/0543 - 0278/0988	S, B	HA/HS				
	0153/0543 - 0345/1215	N	HA/HS				
	0295/1015 - 0345/1215	S, B, N	LS/UQ				
	0295/1015 - 0345/1215	S, B	HA/HS				
	0368/1288 - 0523/1843	D, S, P, O	LS/UQ				
	0368/1288 - 0523/1843	M, T	LS/UQ				
	0368/1288 - 0523/1843	D, A, M, T, P, O	HA/HS				
69	0153/0543 - 0278/0988	S, B, N	LS/UQ	Cable Keypad to Micro	571-04178-262	505907	4,5
	0153/0543 - 0278/0988	S, B	HA/HS				
	0153/0543 - 0345/1215	N	HA/HS				
	0295/1015 - 0345/1215	S, B, N	LS/UQ				
	0295/1015 - 0345/1215	S, B	HA/HS				
	0368/1288 - 0523/1843	D, S, P, O	LS/UQ				
	0368/1288 - 0523/1843	M, T	LS/UQ				
	0368/1288 - 0523/1843	D, A, M, T, P, O	HA/HS				
70	0153/0543 - 0523/1843	All	All	Cable Ribbon Relay	571-04178-263	807008	4
71	0153/0543 - 0345/1215	S, B, N	All	Cable Logic To Control	571-04178-271	807015	5
72	0153/0543 - 0523/1843	All	All	Stepper Motor EEV	031-02742-000	744082	1
77	0153/0543 - 0523/1843	All	All	Cable Ribbon Relay	571-04178-264	807009	4
88	0153/0543 - 0523/1843	All	All	Fuse, Semi Conductor	025-38523-000	739590	1
90	0153/0543 - 0523/1843	All	All	Fuse, Cartridge 15Amp	025-35907-000	117822	1
92	0153/0543 - 0523/1843	All	All	Fuse, Cartridge 15Amp	025-34141-000	739008	1
93	0153/0543 - 0523/1843	All	All	Fuse, Cartridge 20Amp	025-35908-000	117823	1
94	0153/0543 - 0523/1843	All	All	Fuse, Cartridge 6Amp	025-35902-000	264466	1
152	0153/0543 - 0278/0988	B	All	Breaker, 600 Amp	371-05264-004	773862	4
	0295/1015 - 0345/1215	B	All	Breaker, 800 Amp	371-05264-002	773860	
	0368/1288 - 0523/1843	M, T	LS/UQ	Breaker, Drive	371-04459-105	772707	
	0368/1288 - 0523/1843	M, T	HA/HS	Breaker, 600 Amp	371-05264-004	773862	
152	0153/0543 - 0278/0988	N	LS/UQ	Disconnect, 600Amp	371-05271-001	773869	4
	0153/0543 - 0345/1215	N	HA/HS	Disconnect, 600Amp			
	0295/1015 - 0345/1215	N	LS/UQ	Disconnect, 800Amp	371-05271-006	773872	
	0368/1288 - 0523/1843	P, O	LS/UQ	Disconnect, 600Amp	371-06164-002	897732	
	0368/1288 - 0523/1843	P, O	HA/HS	Disconnect, 600Amp			
156	0153/0543 - 0523/1843	All	All	Lug, Elec Sgl Bbl, #4-500	025-32835-000	738755	1,4
157	0153/0543 - 0278/0988	S, B, N	LS/UQ	Inductor Drive	025-40742-000	739923	2,3
	0153/0543 - 0278/0988	S, B	HA/HS				
	0153/0543 - 0345/1215	N	HA/HS				
	0295/1015 - 0345/1215	S, B, N	LS/UQ		025-39676-000	342937	
	0295/1015 - 0345/1215	S, B	HA/HS				
	0368/1288 - 0523/1843	D, S, M, T, P, O	All				
166	0153/0543 - 0345/1215	S, B, N	All	Control Trigger Board	031-02060-001	743858	1

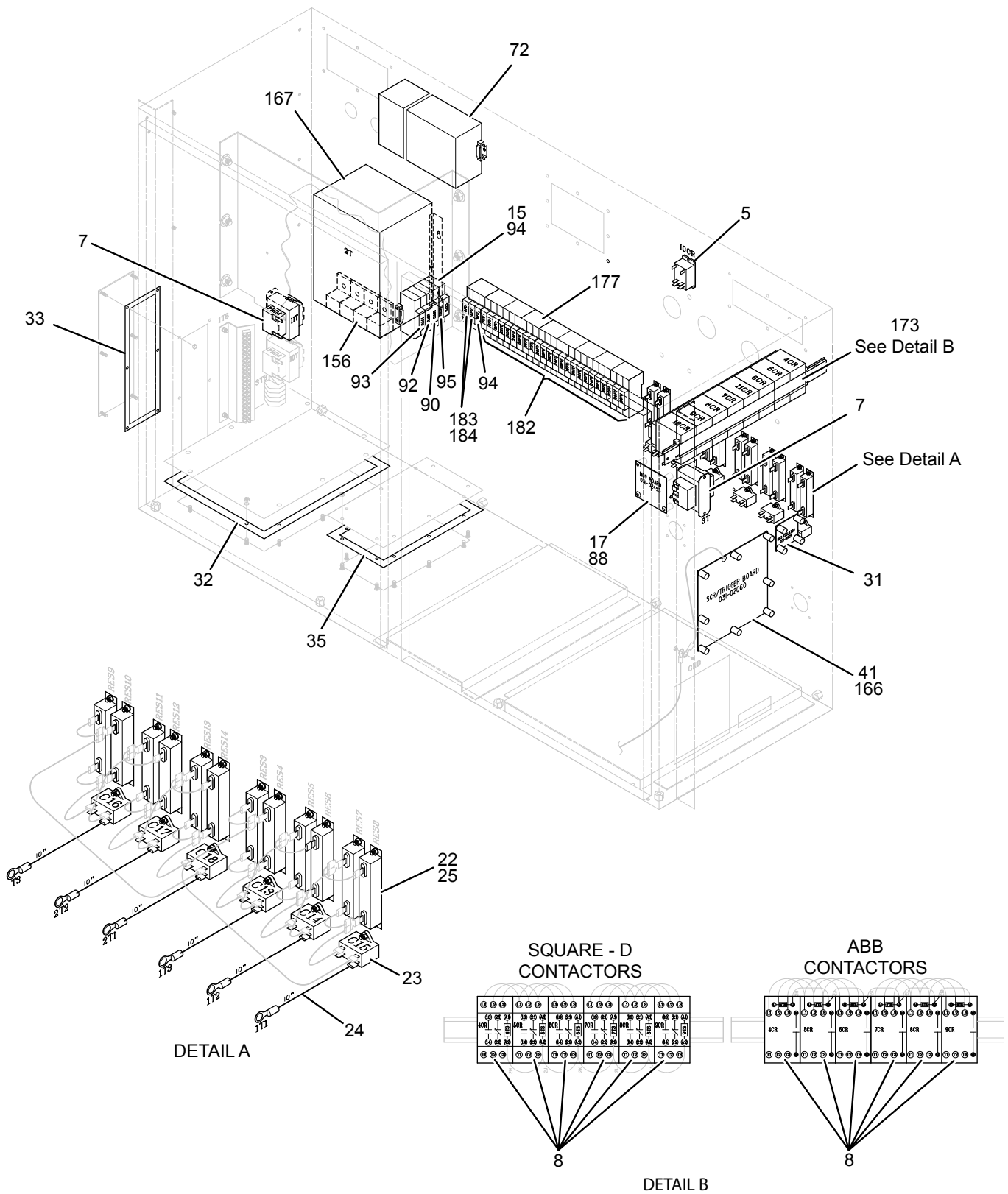
**TABLE 7 - VSD / CONTROL PANEL (PIN 12 & 13 = 58) (CONT'D)**

ITEM	MODELS	PIN 17 =	FANS	DESCRIPTION	PART NUMBER	SAP NUMBER	FIGURE
167	0153/0543 - 0345/1215	S, B, N	All	Transformer, 2KVA, 480:120VAC	025-40114-001	739751	1
	0368/1288 - 0523/1843	D, S, M, T, P, O	All	Transformer 3KVA, 480:120 VAC;	025-40114-003	739752	
168	0153/0543 - 0278/0988	S, B, N	LS/UQ	EPROM, Logic Board	031-02649-010	743997	4
	0153/0543 - 0278/0988	S, B	HA/HS				
	0153/0543 - 0345/1215	N	HA/HS				
	0295/1015 - 0345/1215	S, B, N	LS/UQ		031-02649-012	743999	
	0295/1015 - 0345/1215	S, B	HA/HS				
	0368/1288 - 0523/1843	D, S, M, T, P, O	All		031-02649-014	1031009	
169	0153/0543 - 0278/0988	S, B, N	LS/UQ	Fan Assy 2 Compr 60Hz	371-04179-502	772591	2,3
	0153/0543 - 0278/0988	S, B	HA/HS				
	0153/0543 - 0345/1215	N	HA/HS				
	0295/1015 - 0345/1215	S, B, N	LS/UQ		371-04179-512	772595	
	0295/1015 - 0345/1215	S, B	HA/HS				
	0368/1288 - 0523/1843	D, S, M, T, P, O	All		371-04180-501	772671	
171	0368/1288 - 0523/1843	D, S, M, T, P, O	All	Power Assy, Sys 1	371-05979-101	873244	3
172	0153/0543 - 0278/0988	S, B, N	LS/UQ	Power Assy, Sys 2	371-04181-101	772682	2,3
	0153/0543 - 0278/0988	S, B	HA/HS				
	0153/0543 - 0345/1215	N	HA/HS				
	0295/1015 - 0345/1215	S, B, N	LS/UQ		371-05679-101	774330	
	0295/1015 - 0345/1215	S, B	HA/HS				
	0368/1288 - 0523/1843	D, S, M, T, P, O	All		371-05979-102	873245	
173	0153/0543 - 0278/0988	S, B, N	LS/UQ	Contactor Assy	371-05578-359	774223	1
	0153/0543 - 0278/0988	S, B	HA/HS		371-05578-383	774224	
	0153/0543 - 0345/1215	N	HA/HS		371-05678-359	774327	
	0295/1015 - 0345/1215	S, B, N	LS/UQ		371-05678-384	774328	
	0295/1015 - 0345/1215	S, B	HA/HS		371-05980-359	897726	
	0368/1288 - 0523/1843	D, S, M, T, P, O	LS/UQ		371-05980-384	897729	
	0368/1288 - 0523/1843	D, A, M, T, P, O	HA/HS				
174	0153/0543 - 0278/0988	S, B, N	LS/UQ	Harness, Main	571-05578-221	807132	5
	0153/0543 - 0278/0988	S, B	HA/HS		571-05578-226	807133	
	0153/0543 - 0345/1215	N	HA/HS		571-05678-221	807148	
	0295/1015 - 0345/1215	S, B, N	LS/UQ		571-05678-226	807149	
	0295/1015 - 0345/1215	S, B	HA/HS		571-05980-221	897744	
	0368/1288 - 0523/1843	D, S, M, T, P, O	LS/UQ		571-05980-226	897745	
	0368/1288 - 0523/1843	D, A, M, T, P, O	HA/HS				
175	0153/0543 - 0278/0988	S, B, N	LS/UQ	Trans Drive System #1	371-04178-365	772513	2
	0153/0543 - 0278/0988	S, B	HA/HS				
	0153/0543 - 0345/1215	N	HA/HS		371-04178-369	772515	
	0295/1015 - 0345/1215	S, B, N	LS/UQ				
	0295/1015 - 0345/1215	S, B	HA/HS				
	0368/1288 - 0523/1843	D, S, M, T, P, O	All		371-05980-365	897727	

**TABLE 7 - VSD / CONTROL PANEL (PIN 12 & 13 = 58) (CONT'D)**

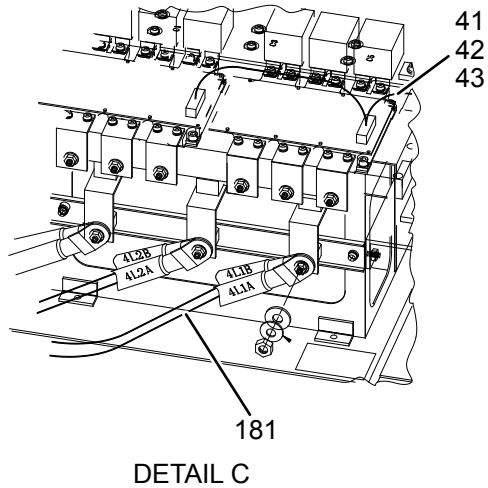
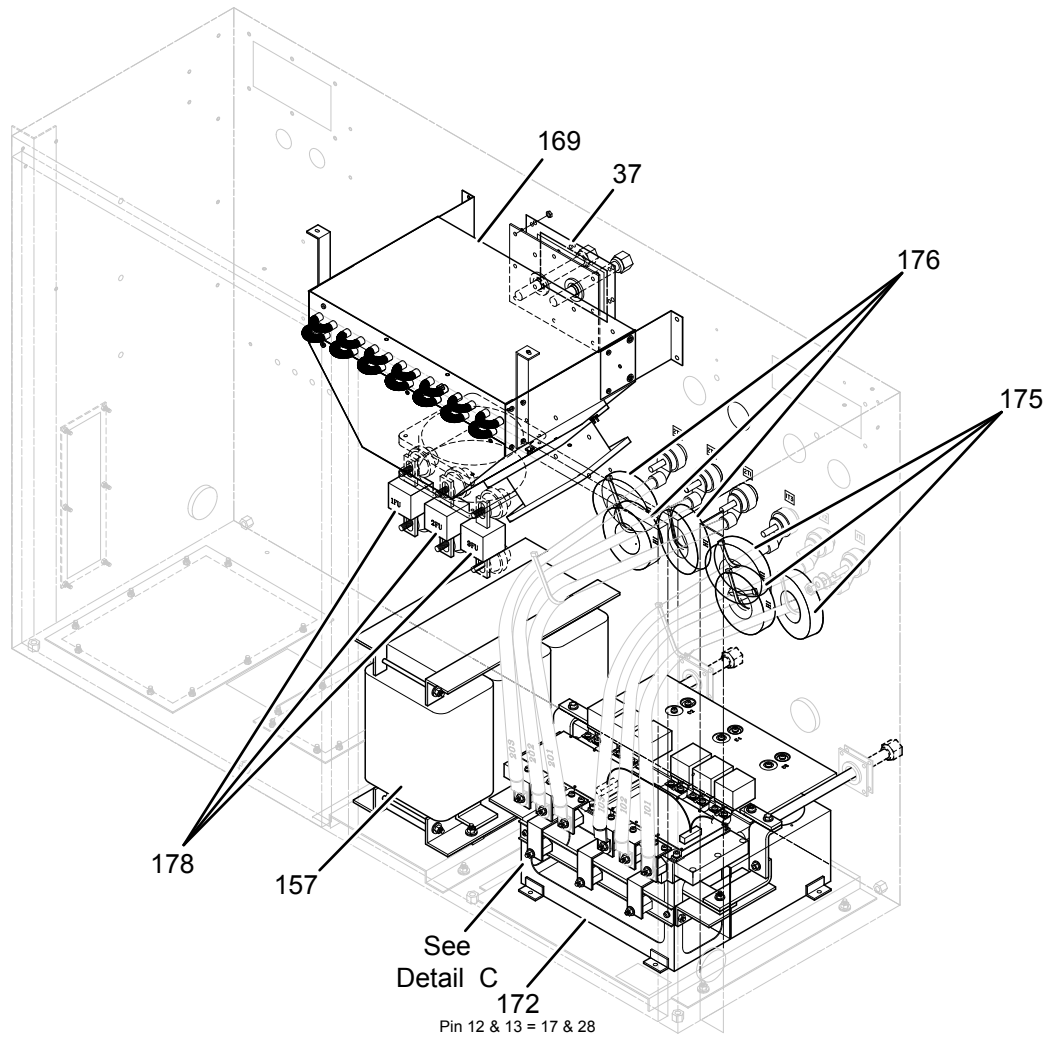
ITEM	MODELS	PIN 17 =	FANS	DESCRIPTION	PART NUMBER	SAP NUMBER	FIGURE
176	0153/0543 - 0278/0988	S, B, N	LS/UQ	Trans Drive System #2	371-04178-367	772514	2
	0153/0543 - 0278/0988	S, B	HA/HS				
	0153/0543 - 0345/1215	N	HA/HS		371-04178-365	772513	
	0295/1015 - 0345/1215	S, B, N	LS/UQ		371-04178-378	772519	
	0295/1015 - 0345/1215	S, B	HA/HS		371-05980-367	897728	
	0368/1288 - 0523/1843	D, S, M, T, P, O	All				
177	0153/0543 - 0523/1843	All	All	Fuseholder, 3-Pole	025-39952-000	343433	1
178	0153/0543 - 0278/0988	S, B, N	LS/UQ	Fuse, 800A, 700V	025-40763-000	739932	2
	0153/0543 - 0278/0988	S, B	HA/HS	Fuse, 900A, 700V	025-40786-000	739934	
	0153/0543 - 0345/1215	N	HA/HS	Fuse, 900A, 700V			
	0295/1015 - 0345/1215	S, B, N	LS/UQ	Fuse, 1000A, 700V	025-42601-000	703412	
	0295/1015 - 0345/1215	S, B	HA/HS	Fuse, 1100A, 600V	025-39682-000	545912	
	0368/1288 - 0523/1843	D, S, M, T, P, O	LS/UQ	Fuse, 800A, 700V	025-40763-000	739932	
	0368/1288 - 0523/1843	D, A, M, T, P, O	HA/HS	Fuse, 900A, 700V	025-40786-000	739934	
180	0368/1288 - 0523/1843	D, S, M, T, P, O	All	Wiring Power Sys 1	571-05980-207	897740	*
181	0153/0543 - 0278/0988	S, B, N	LS/UQ	Wiring Power Sys 2	571-04178-201	806993	2
	0153/0543 - 0278/0988	S, B	HA/HS				
	0153/0543 - 0345/1215	N	HA/HS				
	0295/1015 - 0345/1215	S, B, N	LS/UQ				
	0295/1015 - 0345/1215	S, B	HA/HS		571-05980-208	897741	
	0368/1288 - 0523/1843	D, S, M, T, P, O	All				
182	0153/0543 - 0345/1215	S, B, N	All	Fuse, Cartridge 30Amp	025-39683-000	739699	1
183	0153/0543 - 0278/0988	S, B, N	All	Fuse, Cartridge 10Amp	025-35905-000	739234	1
190	0153/0543 - 0345/1215	S, B, N	All	Control VSD Logic Brd	031-02507-000	360014	4
	0368/1288 - 0523/1843	D, S, M, T, P, O	All		031-02507-003	947328	

**NOTE:** Items with an \* are NOT represented.



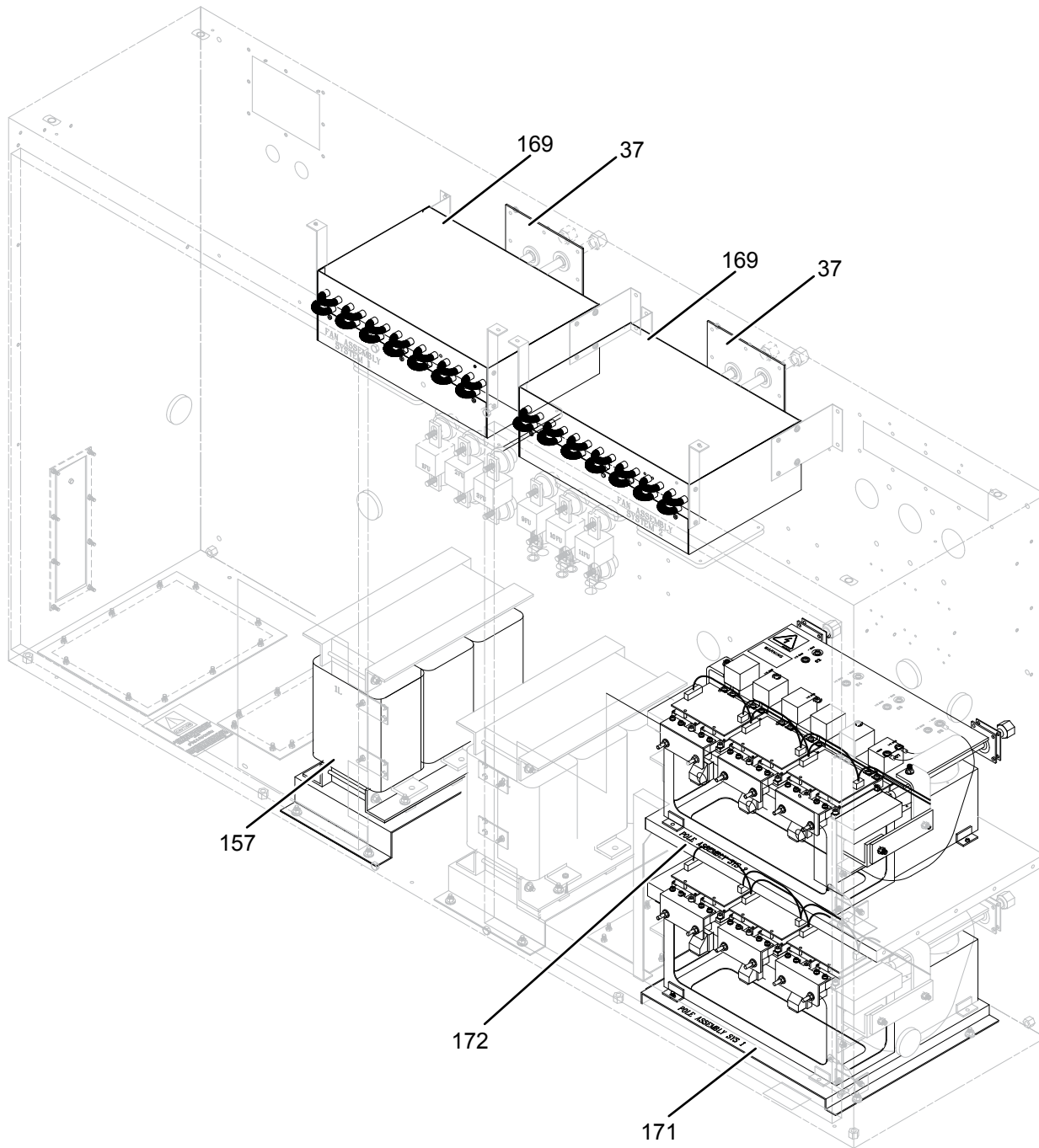
LD18909

FIGURE 1 - CONTROL PANEL COMPONENTS



**FIGURE 2 - CONTROL PANEL COMPONENTS**

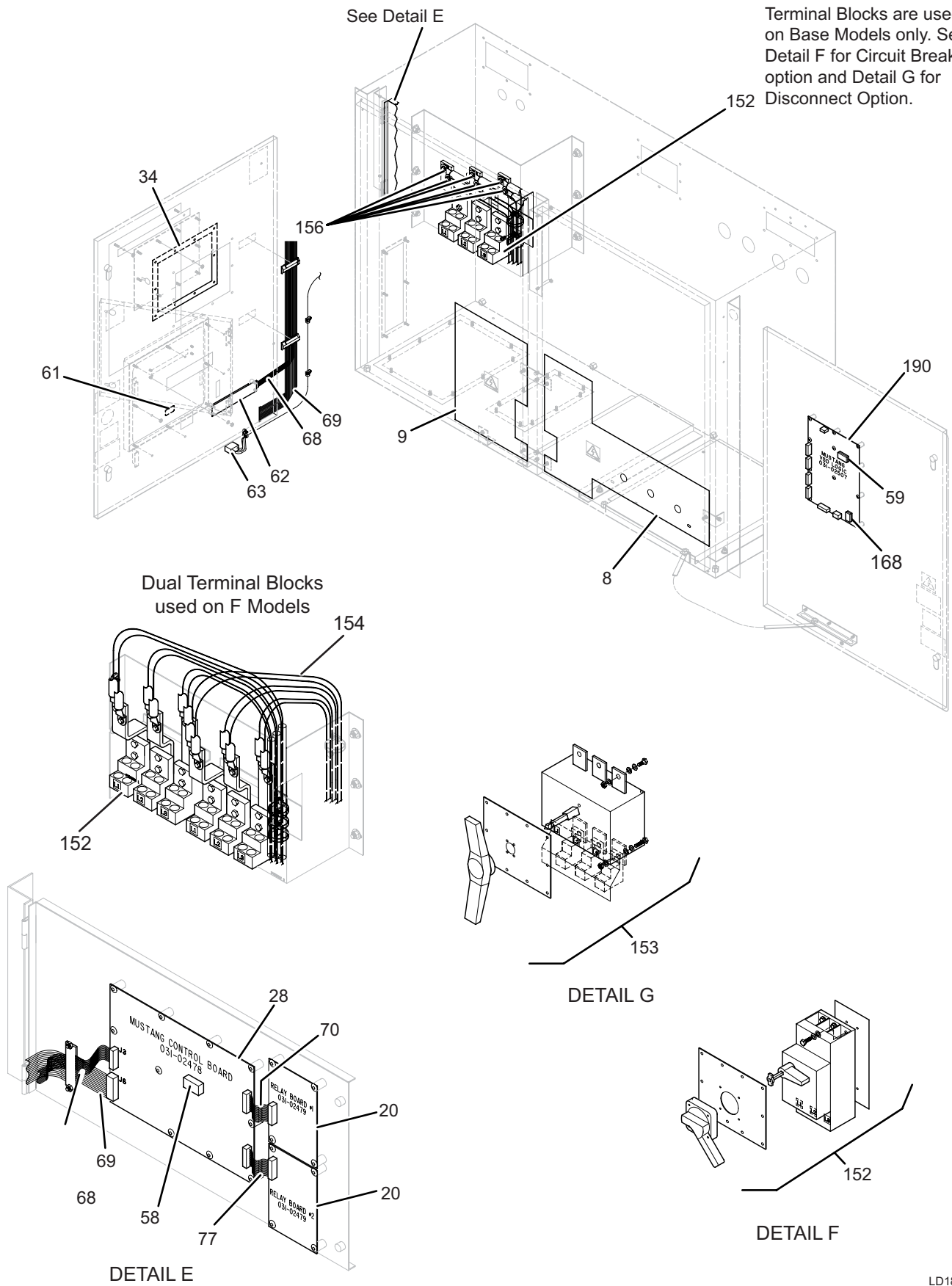
LD18910



Pin 12 & 13 = 40, 42, 46, 50, 58

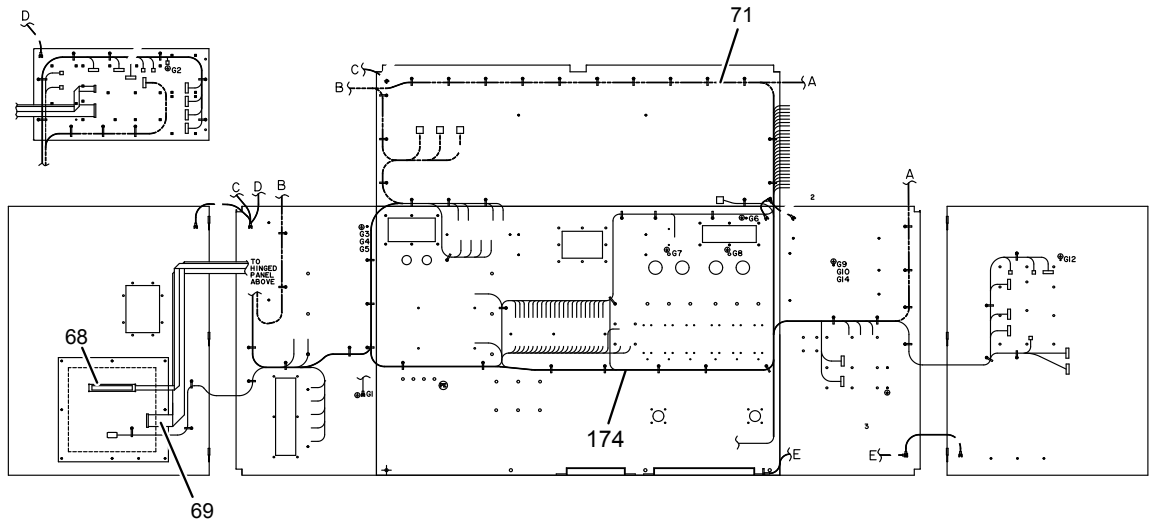
LD18911

**FIGURE 3 - CONTROL PANEL COMPONENTS**

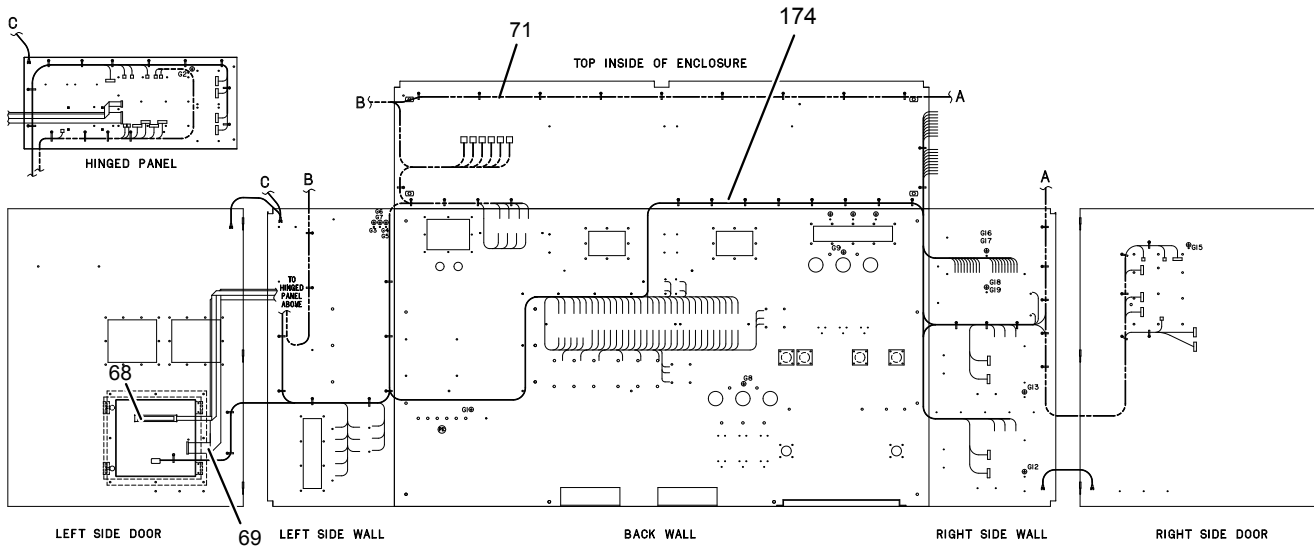


**FIGURE 4 - CONTROL PANEL COMPONENTS**

LD18912



Pin 12 & 13 = 17 & 28



Pin 12 & 13 = 40, 42, 46, 50, 58

LD18913

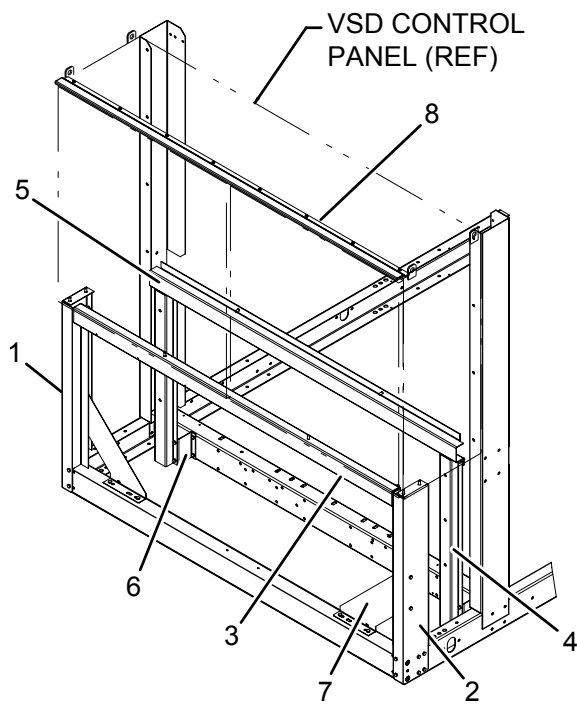
FIGURE 5 - CONTROL PANEL COMPONENTS

**TABLE 8 - VSD MOUNTING KIT**

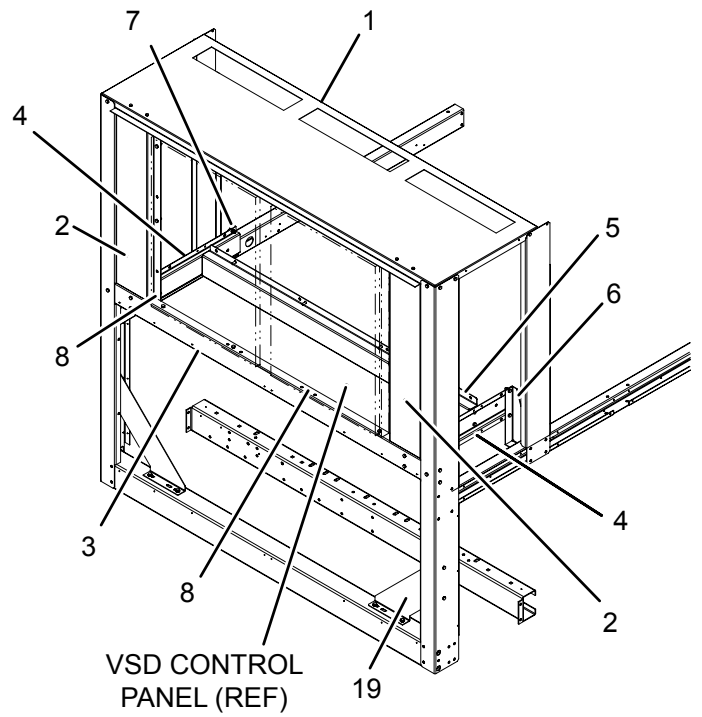
<b>MICROCHANNEL COILS MOUNTING KIT (PIN 50 = M OR N)</b>							
<b>ITEM</b>	<b>PIN 17 =</b>	<b>MODEL</b>	<b>DESCRIPTION</b>	<b>PART NUMBER</b>	<b>SAP NUMBER</b>	<b>QTY</b>	<b>FIGURE</b>
<b>1</b>	All	0153/0543 - 0345/1215	Panel Top Cover Corsair	075-79560-000	549092	1	<b>6</b>
	D, M, P	0368/1288 - 0523/1843	Leg Support Front Left	092-07072-004	865473	1	
	B, N, S, O, T	0368/1288 - 0523/1843	Leg Support Front Left	092-07072-022	1050275	1	
<b>2</b>	All	0153/0543 - 0278/0988	Panel Side Control Panel	075-79559-000	549093	2	<b>6</b>
		0295/1015 - 0345/1215	Panel Side Control Panel	075-93271-000	669929	2	
		0368/1288 - 0523/1843	Leg Support Front Right	092-07072-000	865469	1	
<b>3</b>	All	0153/0543 - 0345/1215	Channel Support Control Panel	075-79561-000	549087	1	<b>6</b>
		0368/1288 - 0523/1843	Rail Panel Support	075-61425-000	754691	1	
<b>4</b>	All	0153/0543 - 0345/1215	Support Control Panel Side	075-65651-000	755455	2	<b>6</b>
		0368/1288 - 0523/1843	Rail Hat Channel 4 Circuit	075-61000-001	754220	2	
<b>5</b>	All	0153/0543 - 0345/1215	Rail Support Control Panel	075-79562-000	549091	1	<b>6</b>
		0368/1288 - 0523/1843	Support Panel	075-61427-000	754692	1	
<b>6</b>	All	0153/0543 - 0345/1215	Bracket Support Control Panel	075-79564-000	549089	1	<b>6</b>
		0368/1288 - 0523/1843	Hat Channel VSD Mounting	092-07072-005	865474	2	
<b>7</b>	All	0153/0543 - 0345/1215	Bracket Support Control Panel	075-79563-000	549090	1	<b>6</b>
		0368/1288 - 0523/1843	Bracket Support	075-65645-000	363478	2	
<b>8</b>	All	0368/1288 - 0523/1843	Shield Rain	371-04180-386	772670	1	<b>6</b>
				071-04180-387	748895	1	

**TABLE 8 - VSD MOUNTING KIT (CONT'D)**

FIN COILS MOUNTING KIT (PIN 50 = A, B, C, E, P )							
ITEM	PIN 17 =	MODEL	DESCRIPTION	PART NUMBER	SAP NUMBER	QTY	FIGURE
1	All	0153/0543, 0183/0643, 0200/0700, 0213/0743, 0233/0943, 0263/0943, 0273/0963,	Panel Top Cover	075-79560-001	1059015	1	6
	D, M, P	0373/1343, 0413/1443, 0443/1543, 0483/1693 - 0523/1843	Leg Support Front Left	092-07072-004	865473	1	
	B, N, S, O, T	0368/1288 - 0523/1843	Leg Support Front Left	092-07072-022	1050275	1	
2	All	0153/0543, 0183/0643, 0200/0700, 0213/0743, 0233/0943, 0263/0943, 0273/0963	Panel Side Control Panel	092-07099-010	860519	2	6
		0303/1093, 0323/1143 - 0343/1193		092-07099-011	860520	2	
		0368/1288 - 0523/1843	Leg Support Front Right	092-07072-000	865469	1	
3	All	0153/0543, 0183/0643, 0200/0700, 0213/0743, 0233/0943, 0263/0943, 0273/0963,	Channel Support Control Panel	075-79561-000	549087	1	6
		0368/1288 - 0523/1843	Rail Panel Support	075-61425-000	754691	1	
4	All	0153/0543, 0183/0643, 0200/0700, 0213/0743, 0233/0943, 0263/0943, 0273/0963,	Support Control Panel Side	075-65651-000	755455	2	6
		0368/1288 - 0523/1843	Rail Hat Channel 4 Circuit	075-61000-001	754220	2	
5	All	0153/0543, 0183/0643, 0200/0700, 0213/0743, 0233/0943, 0263/0943, 0273/0963,	Rail Support Control Panel	075-79562-000	549091	1	6
		0368/1288 - 0523/1843	Support Panel	075-61427-000	754692	1	
6	All	0153/0543, 0183/0643, 0200/0700, 0213/0743, 0233/0943, 0263/0943, 0273/0963,	Bracket Support Control Panel	075-79564-000	549089	1	6
		0368/1288 - 0523/1843	Hat Channel VSD Mounting	092-07072-005	865474	2	
7	All	0153/0543, 0183/0643, 0200/0700, 0213/0743, 0233/0943, 0263/0943, 0273/0963,	Bracket Support Control Panel	075-79563-000	549090	1	6
		0368/1288 - 0523/1843	Bracket Support	075-65645-000	363478	2	
8	All	0368/1288 - 0523/1843	Shield Rain Assy	371-04180-386	772670	1	6
				071-04180-387	748895	1	
19	All	0153/0543, 0183/0643, 0200/0700, 0213/0743, 0233/0943, 0263/0943, 0273/0963,	Bracket Support	075-65645-000	363478	2	6



373/1343, 0413/1443, 0443/1543 - 0523/1843



0153/0543 - 0345/1215

LD17305a

**FIGURE 6 - VSD MOUNTING KIT**

**TABLE 9 - UNIT ASSEMBLY**

ITEM	PIN 50 =	MODEL	DESCRIPTION	PART NUMBER	SAP NUMBER	FIGURE
1	M, N	0153/0543 - 0183/0643, 0200/0700 - 0215/0765, 0233/0843, 0245/0865, 0263/0943, 0273/0963, 0295/1015 - 0308/1088, 0323/1143 - 0345/1215	Leg Support Front Left	075-79555-000	758526	7
	A, B, C, E, P			092-07091-001	860246	
	M, N	0248/0888, 0278/0988, 0368/1288 - 0523/1843		092-07072-002	865471	
	A, B, C, E, P			092-07135-002	866584	
	C	0213/0743, 0343/1193		092-23306-011	1154745	
2	M, N	0153/0543 - 0183/0643, 0200/0700 - 0215/0765, 0233/0843, 0245/0865, 0263/0943, 0273/0963, 0295/1015 - 0308/1088, 0323/1143 - 0345/1215	Leg Support Front Right	075-79556-000	549085	7
	A, B, C, E, P			092-07091-002	860247	
	M, N	0248/0888, 0278/0988, 0368/1288 - 0523/1843		092-07072-001	865470	
	A, B, C, E, P			092-07135-001	866583	
	C	0213/0743, 0343/1193		092-23306-012	1154746	
3	M, N	0153/0543 - 0183/0643, 0200/0700 - 0215/0765, 0233/0843, 0245/0865, 0263/0943, 0273/0963, 0295/1015 - 0308/1088, 0323/1143 - 0345/1215, 0373/1343, 0375/1315, 0413/1443, 0500/1700	Leg Support Rear Right Hand	075-79557-000	549083	7
	A, B, C, E, P			092-07091-003	860248	
	M, N	0248/0888, 0278/0988, 0368/1288, 0398/1388, 0425/1515 - 0483/1693, 0523/1843		092-09108-000	865507	
	A, B, C, E, P			092-07135-009	898529	
	C	0213/0743, 0343/1193		092-23306-007	1154742	
4	M, N	0153/0543 - 0183/0643, 0200/0700 - 0215/0765, 0233/0843, 0245/0865, 0263/0943, 0273/0963, 0295/1015 - 0308/1088, 0323/1143 - 0345/1215, 0373/1343, 0375/1315, 0413/1443, 0500/1700	Leg Support Rear Left Hand	075-79558-000	549084	7
	A, B, C, E, P			092-07091-004	860249	
	M, N	0248/0888, 0278/0988, 0368/1288, 0398/1388, 0425/1515 - 0483/1693, 0523/1843		092-09109-000	865508	
	A, B, C, E, P			092-07135-010	898530	
	C	0213/0743, 0343/1193		092-23306-008	1154743	
5	All	0153/0543 - 0183/0643, 0200/0700 - 0215/0765, 0233/0843 - 0273/0963, 0278/0988 - 0308/1088, 0323/1143 - 0345/1215, 0368/1288 - 0368/1388, 0425/1515, 0428/1488, 0413/1443, 0443/1543 - 0500/1700	Leg Support Corsair	075-79540-000	549077	7
6	M, N	0248/0888, 0278/0988, 0368/1288, 0398/1388, 0425/1515 - 0483/1693, 0523/1843	Leg Support Rear Right Hand	075-79557-000	549083	7
	A, B, C, E, P			092-07091-003	860248	

**TABLE 9 - UNIT ASSEMBLY (CONT'D)**

ITEM	PIN 50 =	MODEL	DESCRIPTION	PART NUMBER	SAP NUMBER	FIGURE
7	M, N	0248/0888, 0278/0988, 0368/1288, 0398/1388, 0425/1515 - 0483/1693	Leg Support Rear Left Hand	075-79558-000	549084	7
	A, B, C, E, P			092-07091-004	860249	
	ALL	0200/0700	Panel Top Cover Corsair	075-93303-000	695627	
8	M, N	0153/0543 - 0183/0643, 0200/0700 - 0215/0765, 0233/0843, 0245/0865, 0263/0943, 0273/0963, 0295/1015, 0303/1093 - 0308/1088, 0323/1143 - 0345/1215	Channel Support Side	075-79566-000	549094	7
	A, B, C, E, P			092-07091-005	860250	
	M, N	0373/1343, 0413/1443		092-07072-016	865484	
	A, B, C, E, P			092-07135-008	866590	
	M, N	0248/0888, 0278/0988, 0368/1288, 0398/1388, 0425/1515 - 0483/1693, 0523/1843		092-07072-009	865478	
	A, B, C, E, P			092-07135-004	866586	
	M, N	0375/1315, 0500/1700		092-07072-016	865484	
A, B, C, E, P	092-07135-008		866590			
9	M, N	0153/0543 - 0183/0643, 0200/0700 - 0215/0765, 0233/0843, 0245/0865, 0263/0943, 0273/0963, 0295/1015 - 0308/1088, 0323/1143 - 0345/1215	Channel Support Side	075-79565-000	549095	7
	A, B, C, E, P			092-07091-006	860481	
	M, N	092-07072-012		865480		
	A, B, C, E, P	092-07135-005		866587		
10	M, N	0248/0888, 0278/0988, 0398/1388, 0425/1515 - 0483/1693, 0523/1843	Channel Support Side	092-07072-014	865482	*
	A, B, C, E, P			092-07135-007	866589	
	M, N	0305/1065, 0308/1088		075-93306-000	674871	
	M,N	0368/1288		092-07072-020	923191	
	C	0343/1193		092-07091-023	874964	
11	ALL	0213/0743, 0248/0888, 0278/0988 - 0308/1088, 0323/1143 - 0523/1843	Brace Rear Corsair	075-93309-000	665289	7
12	M, N	0368/1288, 0398/1388, 0425/1515, 0443/1543	Channel Side Coil Support	092-07072-017	876599	*
	A, B, C, E, P			092-07135-013	946468	
	M, N	0248/0888, 0278/0988, 0428/1488, 0475/1665, 0483/1693, 0523/1843		092-09249-000	865512	
13	M, N	0248/0888, 0278/0988, 0428/1488, 0475/1665, 0483/1693	Channel Support Side Corsair	092-09250-000	865513	*
	A, B, C, E, P			092-07135-012	898532	
14	M, N	0248/0888, 0278/0988, 0398/1388, 0425/1515 - 0483/1693, 0523/1843	Channel Support Side	092-07072-013	865481	*
	A, B, C, E, P			092-07135-006	866588	
	M, N	0368/1288		092-07072-019	923190	

**TABLE 9 - UNIT ASSEMBLY (CONT'D)**

ITEM	PIN 50 =	MODEL	DESCRIPTION	PART NUMBER	SAP NUMBER	FIGURE
15	M, N	0153/0543 - 0183/0643, 0213/0743, 0215/0765, 0233/0843, 0245/0865, 0263/0943, 0273/0963, 0295/1015, 0303/1093 - 0308/1088, 0323/1143 - 0345/1215	Channel Side Coil Support	075-79533-000	549078	7
	A, B, C, E, P			092-07091-007	860482	
	M, N	0248/0888, 0278/0988, 0373/1343, 0368/1288, 0375/1315 - 0523/1843		092-07072-003	865472	
	A, B, C, E, P			092-07135-003	866585	
	M, N	0200/0700		075-93304-000	695628	
	A, B, C, E, P			092-07091-012	861606	
16	M, N	0153/0543 - 0183/0643, 0213/0743, 0215/0765, 0233/0843, 0245/0865, 0263/0943, 0273/0963, 0295/1015 - 0308/1088, 0323/1143 - 0345/1215	Channel Side Coil Support	075-79539-000	549079	7
	A, B, C, E, P			092-07091-008	860483	
	M, N	0373/1343, 0375/1315, 0413/1443, 0500/1700		092-07072-012	865480	
	A, B, C, E, P			092-07135-005	866587	
	M, N	0200/0700		075-94073-000	695629	
	A, B, C, E, P			092-07091-008	860483	
17	M, N	0153/0543	Channel Side Coil Support	092-03247-000	704779	7
		0178/0588, 0213/0743, 0215/0765, 0233/0843		075-93738-000	668480	
		0165/0565, 0183/0643		075-79541-000	549080	
		0200/0700, 0245/0865, 0263/0943, 0273/0963		075-93244-000	636186	
		0295/1015 - 0308/1088, 0323/1143 - 345/1215		075-89876-000	569808	
		0373/1343, 0375/1315, 0413/1443, 0500/1700		092-07072-013	865481	
	A, B, C, E, P	0153/0543		092-07091-014	861608	
		0183/0643		092-07091-017	863016	
		0213/0743, 0233/0843		092-07091-019	863018	
		0200/0700, 0263/0943, 0273/0963		092-07091-009	860484	
		0303/1093, 0323/1143 - 0343/1193		092-07091-021	865991	
		0373/1343, 0413/1443, 0500/1700		092-07135-006	866588	

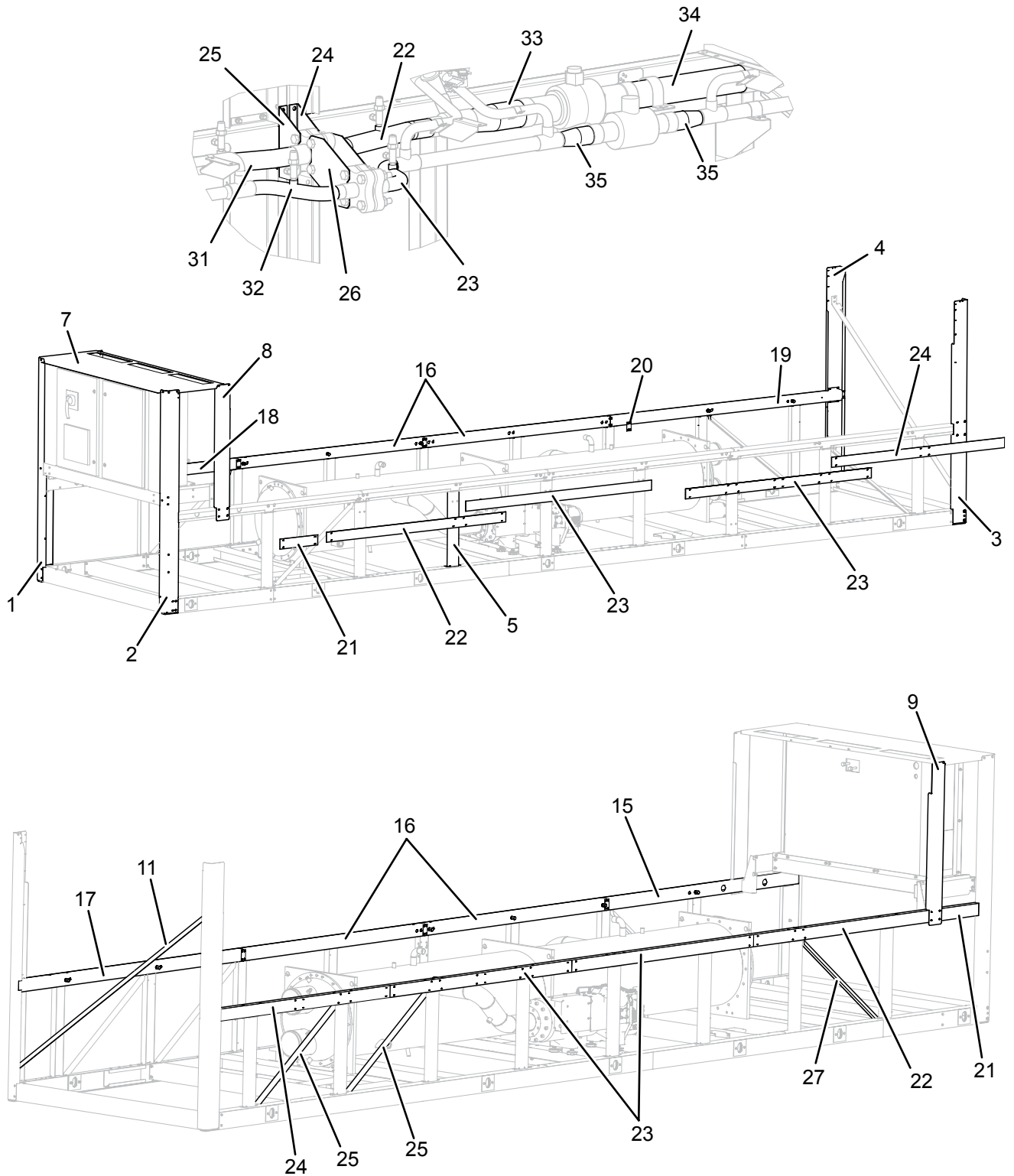
**TABLE 9 - UNIT ASSEMBLY (CONT'D)**

ITEM	PIN 50 =	MODEL	DESCRIPTION	PART NUMBER	SAP NUMBER	FIGURE			
18	M, N	0153/0543	Channel Side Coil Support	075-79572-001	758585	7			
		0165/0565 - 0183/0643, 0213/0743, 0215/0765, 0233/0843, 0245/0865, 0263/0943, 0273/0963, 0295/1015 - 0308/1088, 0323/1143 - 345/1215		075-79572-000	549081				
		0373/1343, 0375/1315, 0413/1443, 0500/1700		092-07072-009	865478				
		0200/0700		075-93305-000	695630				
	A, B, C, E, P	0153/0543		092-07091-015	861609				
		0183/0643, 0213/0743, 0233/0843, 0263/0943, 0273/0963, 0303/1093, 0323/1143 - 0343/1193		092-07091-010	860485				
		0373/1343, 0413/1443, 0500/1700		092-07135-004	866586				
		0200/0700		092-07091-013	861607				
		19		M, N	0153/0543		092-03248-000	704780	7
					0165/0565, 0183/0643		075-79573-000	549082	
0178/0588, 0213/0743, 0215/0765, 0233/0843	075-93739-000		668481						
0200/0700, 0245/0865, 0263/0943, 0273/0963	075-93245-000		636187						
0295/1015 - 0308/1088, 0323/1143 - 345/1215	075-89877-000		569809						
0373/1343, 0375/1315, 0413/1443, 0500/1700	092-07072-014		865482						
A, B, C, E, P	0153/0543		092-07091-016	861610					
	0183/0643		092-07091-018	863017					
	0213/0743, 0233/0843		092-07091-020	863019					
	0200/0700, 0263/0943, 0273/0963		092-07091-011	860486					
0303/1093, 0323/1143 - 0343/1193	092-07091-022	865992							
0373/1343, 0413/1443, 0500/1700	092-07135-007	866589							
20	All	0153/0543 - 0183/0643, 0200/0700 - 0215/0765, 0233/0843 - 0273/0963, 0278/0988 - 0308/1088, 0323/1143 - 0523/1843	Plate Splice	075-79574-000	549100	7			
21	All	0248/0888, 0278/0988, 0368/1288, 0398/1388, 0428/1488 - 0483/1693	Brace Side	075-93309-002	856818	7			
22	All	0368/1288, 0398/1388, 0425/1515, 0443/1543	Tube Discharge	092-07077-030	876603	7			
		0248/0888, 0278/0988, 0428/1488, 0475/1665, 0483/1693		092-07077-003	862520				
		0368/1288, 0398/1388, 0425/1515		092-07077-028	876602				
	M, N	0428/1488	092-07077-020	865499					
23	M, N	0248/0888, 0278/0988, 0368/1288, 0398/1388, 0425/1515, 0428/1488, 0475/1665, 0483/1693	Tube Cu	092-02992-014	767934	7			
	A, B, C, E, P			092-07098-052	863041				
	M, N	0368/1288, 0398/1388, 0428/1488	Tube Liquid (Pin 56 = D)	092-07078-016	865500				

**TABLE 9 - UNIT ASSEMBLY (CONT'D)**

ITEM	PIN 50 =	MODEL	DESCRIPTION	PART NUMBER	SAP NUMBER	FIGURE
24	A, B, C, E, P	0263/0943, 0273/0963	Brace Side	075-93309-001	856817	7
25	ALL	0153/0543, 0165/0565, 0183/0643, 0200/0700	Brace Rear	075-93309-000	665289	7
	M, N	0215/0765, 0233/0843, 0245/0865, 0263/0943, 0273/0963, 0295/1015, 0308/1088, 0500/1700		075-93309-001	856817	
	A, B, C, E, P			075-93309-002	856818	
	ALL	0303/1093, 0305/1065, 0323/1143 - 345/1215, 0373/1343, 0375/1315, 0413/1443		075-93309-001	856817	
26	ALL	0153/0543, 0178/0588, 0183/0643, 0213/0743	Brace Side	075-93309-001	856817	7
	ALL	0215/0765, 0233/0843, 0245/0865, 0263/0943, 0273/0963		075-93309-000	665289	
	ALL	375/1315, 0500/1700		075-93309-002	856818	
27	ALL	0153/0543, 0178/0588, 0183/0643, 0213/0743, 0245/0865	Brace Side	075-93309-002	856818	7
	A, B, C, E, P	0233/0843		075-93309-001	856817	
	M, N	0215/0765, 0263/0943, 0273/0963, 0295/1015, 0308/1088, 345/1215		075-93309-002	856818	
	ALL	0303/1093, 0305/1065, 0323/1143 - 0343/1193, 0373/1343, 0413/1443		075-93309-002	856818	
	ALL	0248/0888, 0278/0988, 0368/1288, 0398/1388, 0425/1515 - 0483/1693		075-93309-001	856817	
28	M, N	0248/0888, 0278/0988, 0368/1288, 0398/1388, 0425/1515 - 0483/1693	Channel Support Side	092-07072-016	865484	*
30	M, N	0248/0888, 0278/0988, 0368/1288, 0398/1388, 0425/1515 - 0483/1693	Plate Reinforcing	092-14345-000	1031692	*
31	M, N	0368/1288, 0398/1388,	Tube Discharge (Pin 56 = D)	092-07077-040	1031442	7
	M, N	0428/1488		092-07077-041	1031443	
32	M, N	0368/1288, 0398/1388, 0428/1488	Tube Liquid (Pin 56+D)	092-07078-047	1031449	7
33	M, N	0248/0888, 0278/0988, 0443/1543, 0475/1665	Tube Discharge	092-07077-002	862519	7
	M, N	0368/1288, 0398/1388, 0425/1515	Tube Discharge (Pin 56 = X)	092-07077-014	862531	
	M, N	368/1288, 0398/1388, 0425/1515	Tube Discharge	092-07077-045	1031447	
	M, N	0428/1488	Tube Discharge (Pin 56 = D)	092-07077-046	1031448	
34	M, N	0368/1288, 0398/1388, 0425/1515, 0428/1488	Tube Discharge (Pin 56 = D)	092-07077-044	1031446	7
35	M, N	0248/0888, 0278/0988, 0443/1543, 0475/1665, 0483/1693	Tube Cu La 568.0 Mm [22.36 In.	092-07078-007	862544	7
	M, N	0368/1288, 0398/1388, 0425/1515, 0428/1488	Tube Liquid (Pin 56 = D)	092-07078-049	1031691	

**NOTE:** Items with an \* are NOT represented.



Model 0303 / 1093 shown

LD17435a

**FIGURE 7 - UNIT ASSEMBLY**

**TABLE 10 - BASE ASSEMBLY**

ITEM	MODEL	DESCRIPTION	PART NUMBER	SAP NUMBER	FIGURE
1	0153/0543	Rail Base	075-94058-000	674872	8, 9, 10, 11, 12, 13, 14, 15, 16, 17
	0165/0565, 0183/0643 - 0198/0688, 0213/0743, 0233/0843, 0245/0865, 0263/0943		075-79507-000	549111	
	0178/0588, 0215/0765, 0218/0788, 0248/0888, 0273/0963, 0278/0988 - 0345/1215		075-89911-000	569814	
	0200/0700		075-93292-000	702285	
	0368/1288 - 0428/1488		092-07011-010	875062	
	0443/1543, 0483/1693 - 0523/1843		092-07070-000	865458	
2	0153/0543	Rail Base	075-94059-000	674873	8, 9, 10, 11, 12, 13, 14, 15, 16, 17
	0183/0643, 0195/0665, 0213/0743		075-93316-000	667052	
	0165/0565, 0198/0688, 0233/0843, 0263/0943		075-79508-000	549107	
	0273/0963, 0343/1193, 0345/1215		075-89912-000	569815	
	0200/0700		075-93293-000	702286	
	0178/0588, 0215/0765		075-93318-000	674878	
	0218/0788		075-94695-000	690856	
	0245/0865		075-94090-000	679790	
	0248/0888		075-93330-000	695570	
	0295/1015		092-03539-000	768407	
	0303/1093		092-03477-000	705269	
	0305/1065		092-03062-000	717291	
	0308/1088, 0318/1188		092-03502-000	705675	
	0278/0988, 0323/1143		075-89912-000	569815	
	0333/1173		092-03527-000	705646	
	0368/1288 - 0428/1488		092-07011-002	874995	
0443/1543, 0483/1693 - 0523/1843	092-07070-001	865459			
3	0153/0543	Rail Base	075-94060-000	674874	8, 9, 10, 11, 12, 13, 14, 15, 16, 17
	0183/0643, 0195/0665, 0213/0743		075-93315-000	667053	
	0178/0588, 0215/0765		075-93319-000	674879	
	0200/0700		075-93294-000	702287	
	0218/0788		075-94669-000	690857	
	0233/0843		075-93736-000	670497	
	0245/0865		075-94091-000	679961	
	0248/0888		075-93331-000	695568	
	0165/0565, 0198/0688, 0263/0943		075-79509-000	549108	
	0273/0963		075-89190-000	683257	
	0295/1015		092-03540-000	768408	
	0303/1093		092-03486-000	705268	
	0305/1065		092-03063-000	717293	
	0278/0988, 0323/1143, 0345/1215		075-89913-000	569816	
	0333/1173		092-03528-000	705645	
	0308/1088, 0318/1188, 0343/1193		092-03012-000	705651	
0368/1288 - 0428/1488	092-07011-011	875063			
0443/1543, 0483/1693, 0500/1700, 0523/1843	092-07070-002	865460			

**TABLE 10 - BASE ASSEMBLY (CONT'D)**

ITEM	MODEL	DESCRIPTION	PART NUMBER	SAP NUMBER	FIGURE
4	0153/0543, 0200/0700	Rail Base	075-79554-000	549106	8, 10, 12, 14, 15, 16, 17
	0178/0588		075-93297-000	667049	
	0218/0788		075-89191-000	759808	
	0308/1088, 0318/1188, 0343/1193, 0295/1015, 0305/1065		092-02996-000	705248	
	0373/1343 - 0428/1488		092-07011-012	875064	
	0443/1543, 0483/1693, 0500/1700, 0523/1843		092-07070-005	865463	
	0368/1288		092-07011-015	923187	
5	0153/0543, 0165/0565, 0178/0588, 0183/0643, 0195/0665, 0198/0688, 0200/0700, 0213/0743, 0215/0765, 0218/0788, 0248/0888, 0233/0843, 0245/0865, 0263/0943, 0273/0963, 0278/0988	Rail Base	075-79511-000	549110	8, 9, 10, 11, 12, 13, 14, 15, 16, 17
	0295/1015, 0303/1093, 0305/1065, 0308/1088, 0318/1188		092-03039-000	705266	
	0323/1143, 0333/1173, 0343/1193, 0345/1215		075-93259-000	705335	
	0368/1288 - 0428/1488		092-07011-001	874994	
	0443/1543, 0483/1693, 0500/1700, 0523/1843		092-07070-007	865465	
6	0153/0543, 0200/0700	Rail Base	075-93297-000	667049	8, 9, 10, 11, 12, 13, 14, 15, 16, 17
	0165/0565, 0178/0588, 0183/0643, 0195/0665, 0198/0688, 0213/0743, 0215/0765, 0218/0788, 0233/0843, 0245/0865, 0248/0888, 0263/0943, 0273/0963, 0278/0988, 0295/1015, 0303/1093, 0305/1065, 0308/1088, 0318/1188, 0323/1143, 0333/1173, 0343/1193, 0345/1215		075-79520-000	758459	
	0368/1288 - 0523/1843		092-07070-006	865464	
7	0153/0543	Rail Base	075-94062-000	674875	8, 9, 10, 11, 12, 13, 14, 15, 16, 17
	0165/0565, 0183/0643, 0195/0665, 0213/0743, 0245/0865, 0233/0843, 0263/0943,		075-79521-000	549113	
	0178/0588, 0198/0688, 0215/0765, 0218/0788, 0248/0888, 0273/0963, 0278/0988, 0295/1015, 0303/1093, 0305/1065, 0308/1088, 0318/1188, 0323/1143, 0333/1173, 0343/1193		075-93258-000	674880	
	0200/0700		075-94081-000	702288	
	0345/1215		075-93272-000	705655	
	0368/1288 - 0523/1843		092-07070-008	865466	
8	0178/0588, 0183/0643, 0195/0665, 0213/0743, 0215/0765, 0218/0788, 0233/0843	Rail Base	075-89909-000	569820	8, 9, 10, 11, 12, 13, 14, 15, 16, 17
	0198/0688		075-94105-000	700035	
	0200/0700		075-79520-000	758459	
	0245/0865		075-93258-000	674880	
	0263/0943		075-93238-000	636183	
	0273/0963		075-65620-000	561203	
	0295/1015, 0305/1065 - 0333/1173, 0345/1215, 0368/1288, 0375/1315, 0398/1388, 0425/1515, 0428/1488, 0443/1543, 0483/1693 - 0523/1843		075-93263-000	705244	
	0165/0565, 0248/0888, 0303/1093, 0343/1193, 0373/1343, 0413/1443	Bracket Filter Drier	075-89942-000	636184	

**TABLE 10 - BASE ASSEMBLY (CONT'D)**

ITEM	MODEL	DESCRIPTION	PART NUMBER	SAP NUMBER	FIGURE
9	0153/0543 - 0523/1843	Plate Lifting Reinforcing	075-65620-000	561203	8, 9, 10, 11, 12, 13, 14, 15, 16, 17
10	0153/0543 - 0523/1843	Channel Side Connection	075-65622-001	755431	8, 9, 10, 11, 12, 13, 14, 15, 16, 17
11	0153/0543, 0200/0700	Rail Base	075-93299-000	674876	8, 9, 10, 11, 12, 13, 14, 15, 16, 17
	0165/0565, 0178/0588, 0183/0643, 0195/0665, 0198/0688, 0213/0743, 0215/0765, 0218/0788, 0233/0843, 0245/0865, 0248/0888, 0263/0943, 0273/0963, 0278/0988, 0295/1015, 0303/1093, 0305/1065, 0308/1088, 0318/1188, 0323/1143, 0333/1173, 0343/1193, 0345/1215		075-79554-000	549106	
	0368/1288 - 0523/1843		092-07070-004	865462	
12	0153/0543 - 0523/1843	Bracket Cooler	075-55617-000	753101	8, 9, 10, 11, 12, 13, 14, 15, 16, 17
13	0153/0543	Rail Base	075-94061-000	674877	8, 9, 10, 11, 12, 13, 14, 15, 16, 17
	0183/0643, 0195/0665, 0213/0743, 0318/1188		075-94040-000	667054	
	0198/0688		075-93258-000	674880	
	0200/0700		075-94072-000	702289	
	0165/0565, 0233/0843, 0263/0943,		075-79553-000	549112	
	0273/0963, 0278/0988		075-89908-000	569817	
	0248/0888, 0303/1093		075-93297-000	667049	
	0178/0588, 0215/0765, 0218/0788, 0295/1015, 0305/1065, 0308/1088, 0323/1143, 0333/1173, 0343/1193	Bracket Filter Drier	075-89942-000	636184	
	0305/1065	Support Compressor	075-89933-000	705336	
0368/1288 - 0523/1843		092-07070-009	865467		
14	0153/0543, 0183/0643, 0195/0665, 0200/0700, 0213/0743, 0233/0843, 0245/0865, 0263/0943, 0318/1188, 0373/1343, 0413/1443, 0443/1543, 0483/1693, 0500/1700, 0523/1843	Bracket Filter Drier	075-89942-000	636184	8, 9, 10, 11, 12, 13, 14, 15, 16, 17
	0248/0888, 0273/0963, 0278/0988		075-89915-000	569818	
	0295/1015, 0308/1088		075-93262-000	636182	
	0303/1093	Rail Base	075-89878-000	569819	
	0305/1065		092-03040-000	705262	
	0323/1143, 0333/1173, 0343/1193	Support Compressor	075-89933-000	705336	
	0178/0588, 0215/0765, 0218/0788		075-79579-000	549115	
0198/0688, 0345/1215, 0368/1288, 0375/1315, 0398/1388, 0425/1515, 0428/1488	Bracket Filter Drier	075-89942-000	636184		
15	0153/0543, 0183/0643 - 0213/0743, 0233/0843 - 0523/1843	Bracket E-Ductor	075-79579-000	549115	8, 9, 10, 11, 12, 13, 14, 15, 16, 17
	0178/0588, 0218/0788	Rail Base	075-93262-000	636182	

**TABLE 10 - BASE ASSEMBLY (CONT'D)**

ITEM	MODEL	DESCRIPTION	PART NUMBER	SAP NUMBER	FIGURE
16	0153/0543, 0200/0700	Rail Base	075-89909-000	569820	8, 9, 10, 11, 12, 13, 14, 15, 16, 17
	0165/0565, 0183/0643, 0195/0665, 0213/0743, 0233/0843		075-93262-000	636182	
	0273/0963		075-89191-000	759808	
	0248/0888, 0278/0988, 0295/1015, 0303/1093, 0318/1188, 0323/1143, 0345/1215		075-89878-000	569819	
	0305/1065, 0308/1088, 0333/1173, 0343/1193		092-03013-000	705644	
	0368/1288 - 0523/1843		092-07070-003	865461	
	0178/0588	Bracket Mounting Oil Separator	075-93298-000	667055	
	0198/0688, 0245/0865, 0263/0943	Channel Side	075-93239-000	636174	
	0218/0788	Outer R.H.	075-89916-000	569821	
17	0153/0543, 0305/1065, 0318/1188	Rail Base	075-93262-000	636182	8, 9, 10, 11, 12, 13, 14, 17
	0183/0643, 0195/0665, 0213/0743		075-93297-000	667049	
	0200/0700		075-94082-000	702290	
	0263/0943		075-93240-000	636176	
	0165/0565, 0248/0888, 0273/0963, 0278/0988		075-89909-000	569820	
	0295/1015, 0303/1093, 0308/1088		092-03040-000	705262	
	0323/1143, 0333/1173, 0343/1193, 0345/1215	Support Cooler Base	075-89932-000	705337	
	0368/1288 - 0428/1488		092-07011-000	874993	
	0443/1543, 0483/1693, 0500/1700 0523/1843		092-07070-010	865468	
	0178/0588	Bracket, Glycol Pump	092-06146-000	769053	
	0198/0688	Channel Side Outer R.H.	075-93240-000	636176	
	0218/0788		075-94692-000	691004	
	0245/0865		075-94092-000	679962	
18	0153/0543	Rail Base	075-79520-000	758459	8, 9, 10, 11, 12, 13, 14, 15, 16, 17
	0183/0643, 0195/0665, 0213/0743		075-93298-000	667055	
	0200/0700		075-94083-000	702301	
	0263/0943		075-93241-000	636178	
	0198/0688	Channel Side Outer R.H.	075-93241-000	636178	
	0218/0788		075-94693-000	691005	
	0245/0865		075-94093-000	686895	
	0248/0888, 0273/0963, 0278/0988, 0295/1015, 0303/1093, 0305/1065, 0308/1088, 0318/1188, 0323/1143, 0333/1173, 0343/1193, 0345/1215		075-89916-000	569821	
	0368/1288 - 0523/1843		092-07073-000	865485	

**TABLE 10 - BASE ASSEMBLY (CONT'D)**

ITEM	MODEL	DESCRIPTION	PART NUMBER	SAP NUMBER	FIGURE
19	0198/0688	Channel Side Outer R.H.	075-94106-000	700036	9, 10, 11, 12, 13, 14, 15, 16, 17
	0218/0788, 0245/0865		075-94694-000	679966	
	0248/0888		075-93332-000	700029	
	0263/0943		075-93242-000	636180	
	0273/0963, 0278/0988, 0308/1088, 0318/1188, 0343/1193		075-89917-000	569822	
	0295/1015, 0303/1093		092-03478-000	768363	
	0305/1065		092-03536-000	717301	
	0323/1143, 0345/1215		075-89917-000	569822	
	0333/1173		092-03529-000	768400	
	0368/1288 - 0428/1488		092-07011-003	874996	
	0443/1543, 0483/1693, 0500/1700, 0523/1843	092-07073-001	865486		
0200/0700	Plate Spacer	092-03272-000	702302		
20	0198/0688, 0245/0865, 0263/0943	Channel Side Outer L.H.	075-93239-001	636175	10, 11, 13, 14, 15, 16, 17
	0218/0788		075-89916-001	569825	
	0248/0888		075-93333-000	700031	
	0273/0963		075-89918-004	694384	
	0295/1015		092-03541-000	768409	
	0303/1093		092-03479-000	768365	
	0305/1065		092-03537-000	717305	
	0308/1088, 0318/1188		092-03503-000	768378	
	0278/0988, 0323/1143		075-94074-000	674881	
	0333/1173		092-03530-000	768402	
	0343/1193		075-94074-000	674881	
	0345/1215		075-89918-000	569823	
	0368/1288 - 0428/1488		092-07011-005	874998	
0443/1543, 0483/1693, 0500/1700, 0523/1843	092-07073-002	865487			
21	0245/0865	Channel Side Outer L.H.	075-94092-001	679963	10, 11, 12, 13, 14, 15, 16, 17
	0248/0888		075-93334-000	700033	
	0198/0688, 0263/0943		075-93240-001	636177	
	0218/0788		075-94692-001	691007	
	0273/0963		075-89192-000	679607	
	0295/1015		092-03542-000	768411	
	0303/1093		092-03487-000	768367	
	0305/1065		092-03538-000	717310	
	0278/0988, 0318/1188, 0323/1143, 0345/1215		075-89919-000	569824	
	0308/1088, 0333/1173, 0343/1193		092-03472-000	705641	
	0373/1343 - 0523/1843	092-07073-003	865488		
0368/1288	Channel Side Outer R.H.	092-07011-016	923188		

**TABLE 10 - BASE ASSEMBLY (CONT'D)**

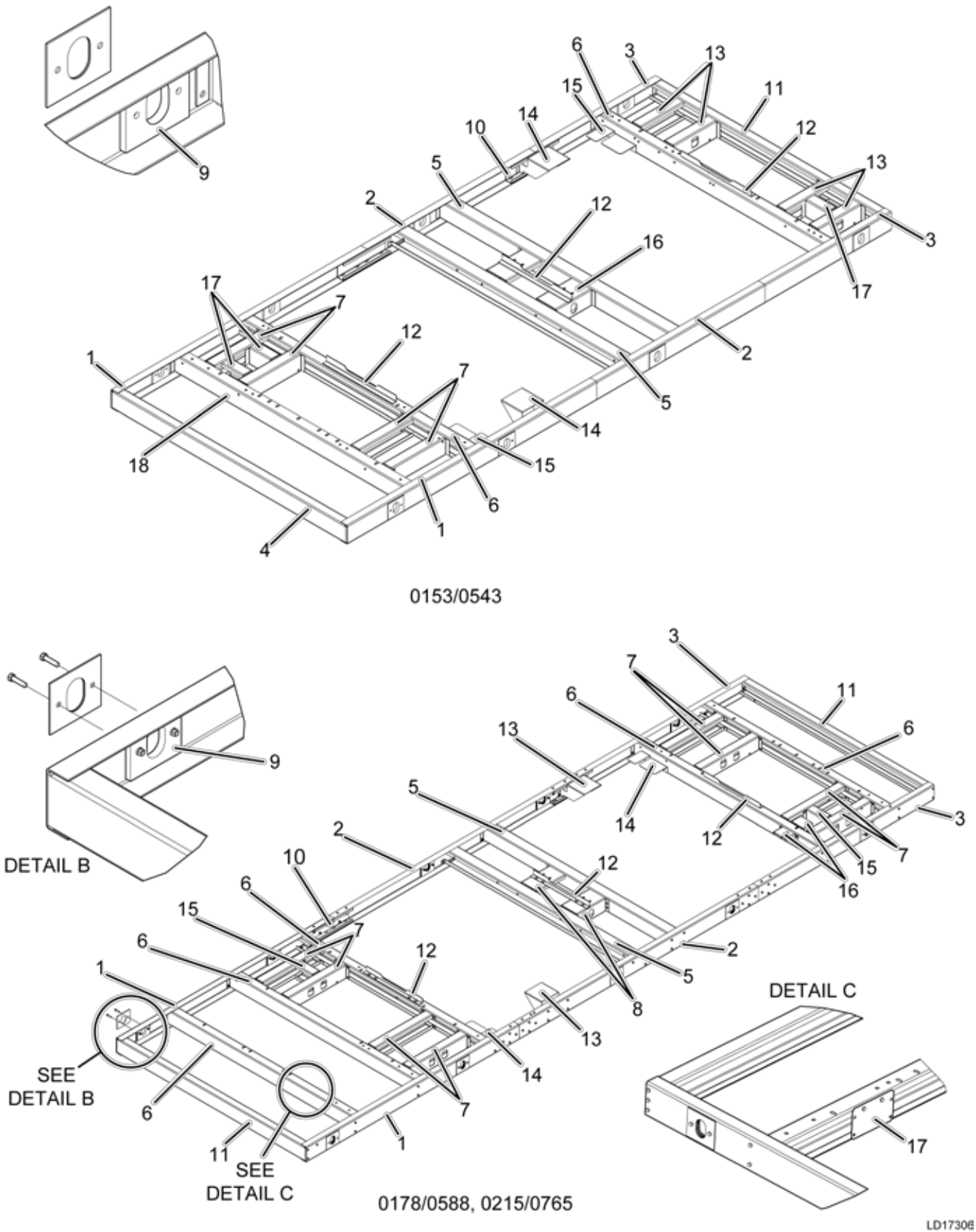
ITEM	MODEL	DESCRIPTION	PART NUMBER	SAP NUMBER	FIGURE
22	0245/0865	Channel Side Outer L.H.	075-94093-001	679964	10, 11, 12, 13, 14, 15, 16, 17
	0198/0688, 0263/0943		075-93241-001	636179	
	0218/0788		075-94693-001	691008	
	0248/0888, 0273/0963, 0278/0988, 0295/1015, 0303/1093, 0305/1065, 0308/1088, 0318/1188, 0323/1143, 0333/1173, 0343/1193, 0345/1215		075-89916-001	569825	
	0368/1288 - 0523/1843		092-07073-005	865490	
23	0198/0688	Channel Side Outer L.H.	075-94106-001	700037	10, 11, 12, 13, 14, 15, 16, 17
	0218/0788, 0245/0865		075-94694-001	679967	
	0248/0888		075-93332-001	700030	
	0263/0943		075-93242-001	636181	
	0273/0963, 0278/0988, 0308/1088, 0318/1188, 0343/1193		075-89917-001	569826	
	0295/1015		092-03478-003	854561	
	0303/1093		092-03478-001	768364	
	0305/1065		092-03536-001	717313	
	0323/1143, 0345/1215		075-89917-001	569826	
	0333/1173		092-03529-001	768401	
	0373/1343, 0413/1443		092-07073-005	865490	
	0443/1543, 0483/1693, 0500/1700, 0523/1843		092-07073-006	865491	
	0368/1288, 0375/1315, 0398/1388, 0425/1515, 0428/1488		092-07011-004	874997	
24	0198/0688, 0245/0865, 0263/0943	Rail Base	075-89909-000	569820	10, 11, 12, 13, 14, 15, 16, 17
	0248/0888	Channel Side Outer L.H.	075-93333-001	700032	
	0273/0963		075-89918-005	694385	
	0295/1015		092-03541-001	768410	
	0303/1093		092-03479-001	768366	
	0305/1065		092-03537-001	768406	
	0308/1088, 0318/1188		092-03503-001	768379	
	0278/0988, 0323/1143, 0343/1193		075-94074-001	674882	
	0333/1173		092-03530-001	768403	
	0345/1215		075-89918-001	569827	
	0368/1288 - 0425/1515		092-07011-006	874999	
	0443/1543, 0483/1693, 0500/1700, 0523/1843		092-07073-007	865492	
25	0198/0688, 0245/0865, 0263/0943	Rail Base	075-93262-000	636182	10, 11, 12, 13, 14, 15, 16, 17
	0248/0888	Channel Side Outer L.H.	075-93334-001	700034	
	0273/0963		075-89192-001	679610	
	0295/1015		092-03542-001	768412	
	0303/1093		092-03487-001	768368	
	0278/0988, 0318/1188, 0323/1143, 0345/1215		075-89919-001	569828	
	0305/1065, 0308/1088, 0333/1173, 0343/1193		092-03472-001	705588	
	0373/1343 - 0523/1843		092-07073-008	865493	
	0368/1288		092-07011-017	923189	

**TABLE 10 - BASE ASSEMBLY (CONT'D)**

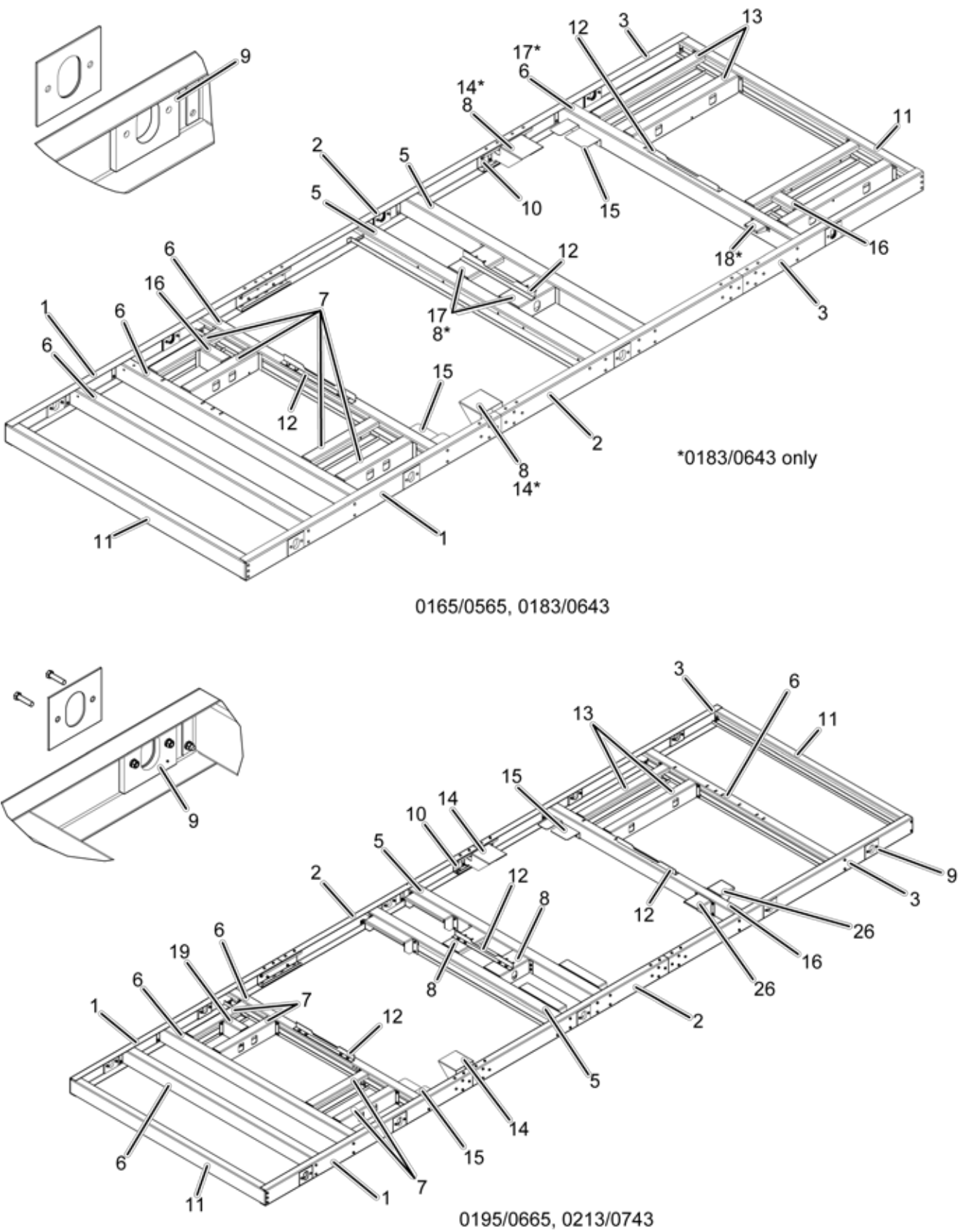
ITEM	MODEL	DESCRIPTION	PART NUMBER	SAP NUMBER	FIGURE
26	0248/0888, 0273/0963, 0278/0988	Bracket, Mounting Oil Separator Rail Base	092-03225-000	698458	9, 11, 12, 13, 14, 15, 16
	0198/0688		075-93258-001	873492	
	0295/1015		075-93297-000	667049	
	0303/1093	Channel Side Outer R.H.	092-02996-000	705248	
	0318/1188, 0345/1215		075-89928-000	705656	
	0245/0865		075-94093-002	824502	
	0305/1065		092-03472-000	705641	
	0333/1173		092-03531-000	768404	
	0308/1088, 0343/1193		092-03473-000	705652	
0368/1288 - 0425/1488	092-07011-008	875000			
27	0273/0963	Bracket, Glycol Pump	092-06146-000	769053	12, 13, 14, 15, 16, 17
	0303/1093	Rail Base	075-93263-000	705244	
	0245/0865	Channel Side Outer L.H.	075-94093-003	824503	
	0305/1065		092-03538-001	717319	
	0333/1173		092-03531-001	768405	
	0318/1188, 0345/1215		075-89929-000	705657	
	0308/1088, 0343/1193		092-03473-001	705653	
	0368/1288 - 0425/1515		092-07011-014	875066	
0443/1543, 0483/1693, 0500/1700, 0523/1843	092-07073-004	865489			
28	0245/0865	Rail, Base	075-79521-002	873491	13, 14, 15, 16, 17
	0303/1093	Bracket, Glycol Pump	092-06146-000	769053	
	0318/1188, 0345/1215	Channel Side Outer L.H.	075-89929-001	705681	
	0368/1288 - 0425/1488		092-07011-013	875065	
	0443/1543, 0483/1693, 0500/1700, 0523/1843		092-07073-009	865494	
29	0368/1288 - 0523/1843	Bracket, Glycol Pump	092-06146-000	769053	16, 17
30	0373/1343	Support Discharge Line	092-14444-002	1031695	16, 17
	0500/1700, 0523/1843		092-14444-000	1031693	
	0368/1288, 0375/1315 - 0425/1488	Rail Base	092-07011-009	875061	
	0443/1543, 0483/1693	Bracket Filter Drier	092-12668-000	917544	
31	0373/1343, 0500/1700, 0523/1843	Support Discharge Line	092-14445-000	1031697	16, 17
	0368/1288, 0375/1315 - 0425/1488		092-14444-001	1031694	
	0443/1543, 0483/1693	Rail Support Base	092-07070-021	917541	
32	0368/1288, 0375/1315 - 0425/1488	Support Discharge Line	092-14445-000	1031697	16, 17
	0443/1543, 0483/1693	Rail Support Base	092-07070-022	917542	
33	0443/1543, 0483/1693	Rail Support Base	092-07070-023	917543	16, 17
	0375/1315	Rail Base	092-07070-029	1039775	
34	0443/1543, 0483/1693	Bracket, Mounting Oil Separator	092-03225-000	698458	17

**TABLE 10 - BASE ASSEMBLY (CONT'D)**

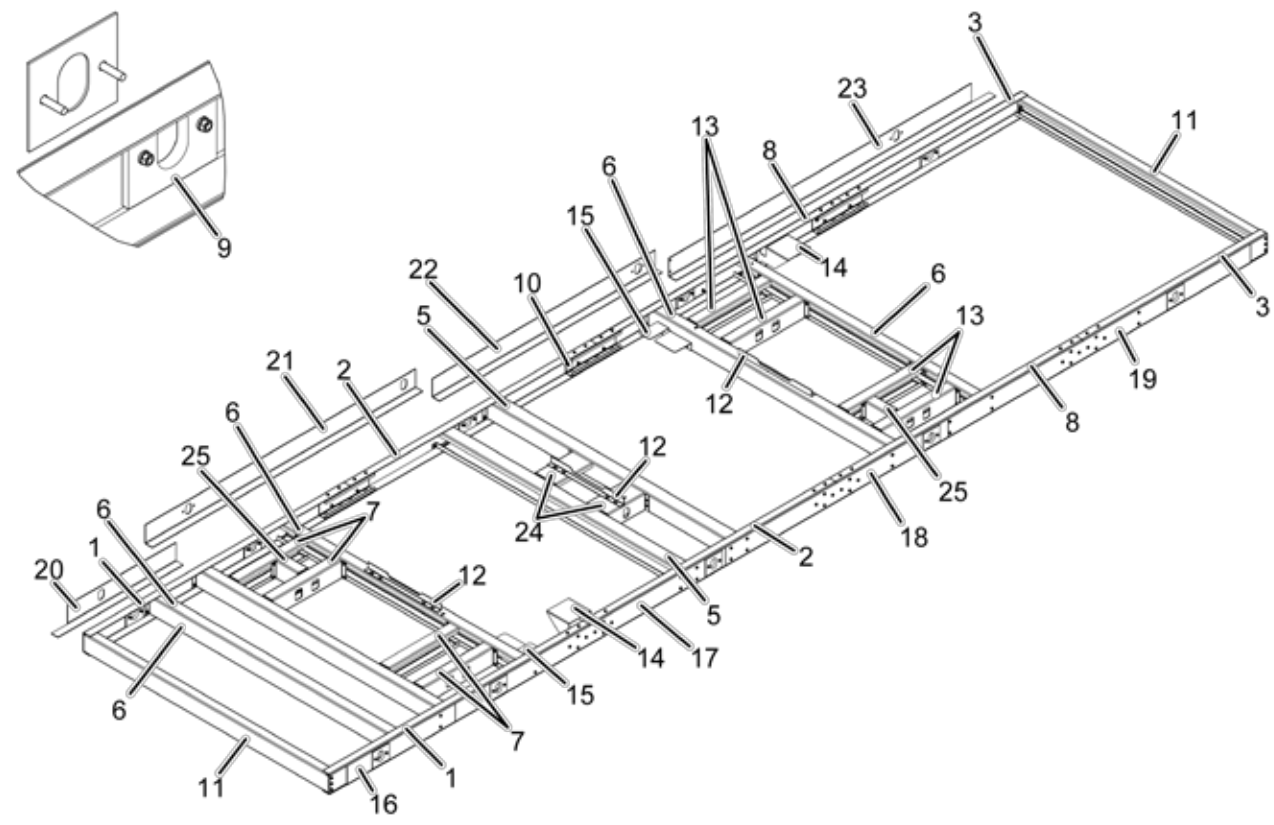
ITEM	MODEL	DESCRIPTION	PART NUMBER	SAP NUMBER	FIGURE
35	0443/1543, 0483/1693	Support Discharge Line	092-14445-002	1031698	17
37	0443/1543, 0483/1693	Support Discharge Line	092-14444-003	1031696	17
38	0443/1543, 0483/1693	Support Discharge Line	092-14445-000	1031697	17



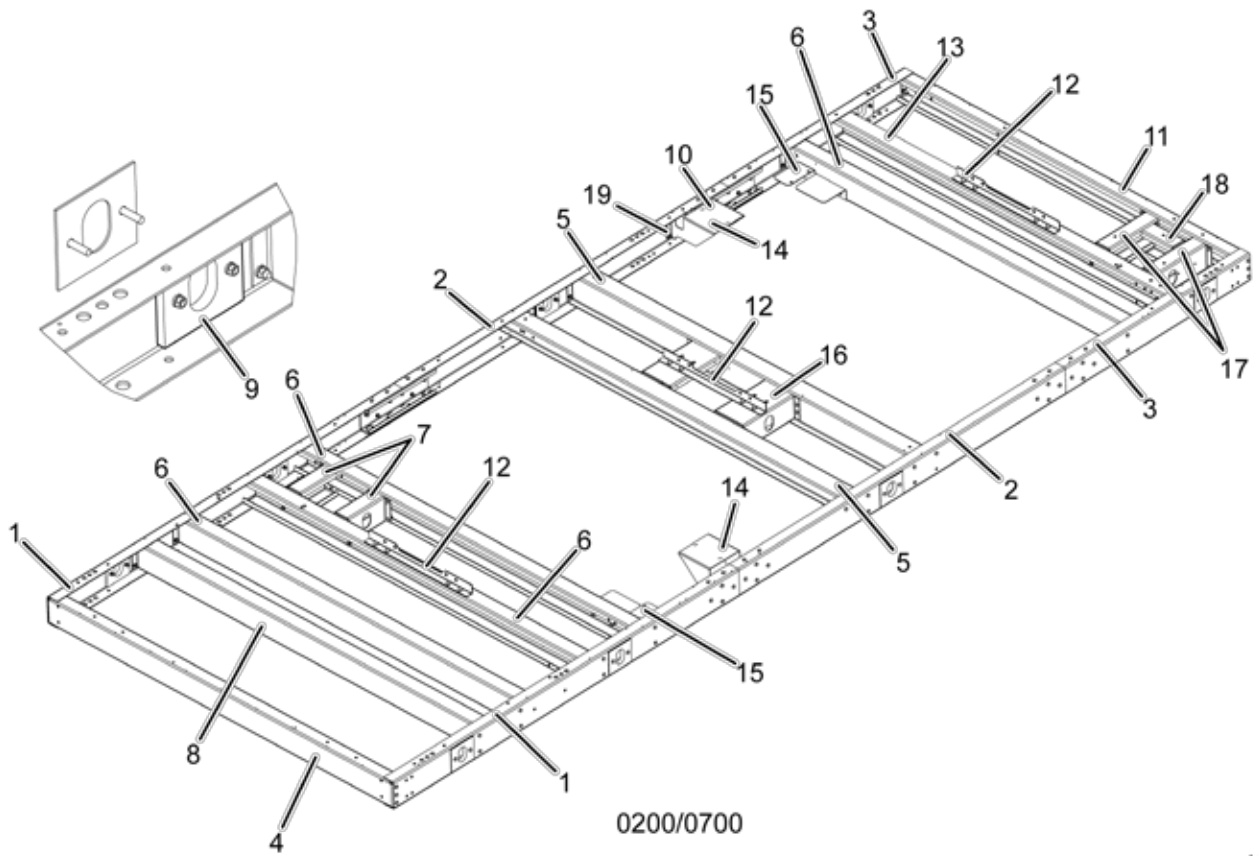
**FIGURE 8 - BASE ASSEMBLY (0153/0543, 0178/0588, 0215/0765)**



**FIGURE 9 - BASE ASSEMBLY (0165/0565, 0195/0665, 0213/0743)**



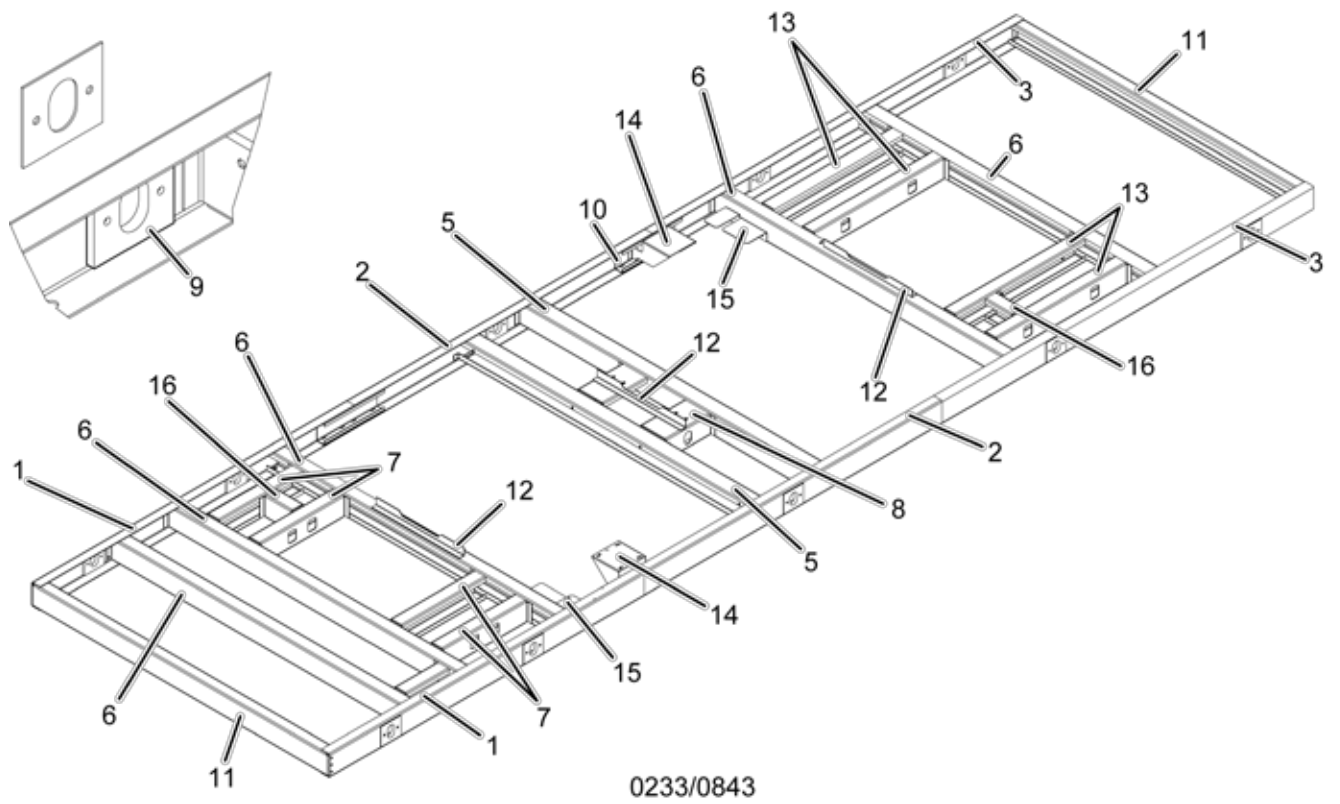
0198/0688



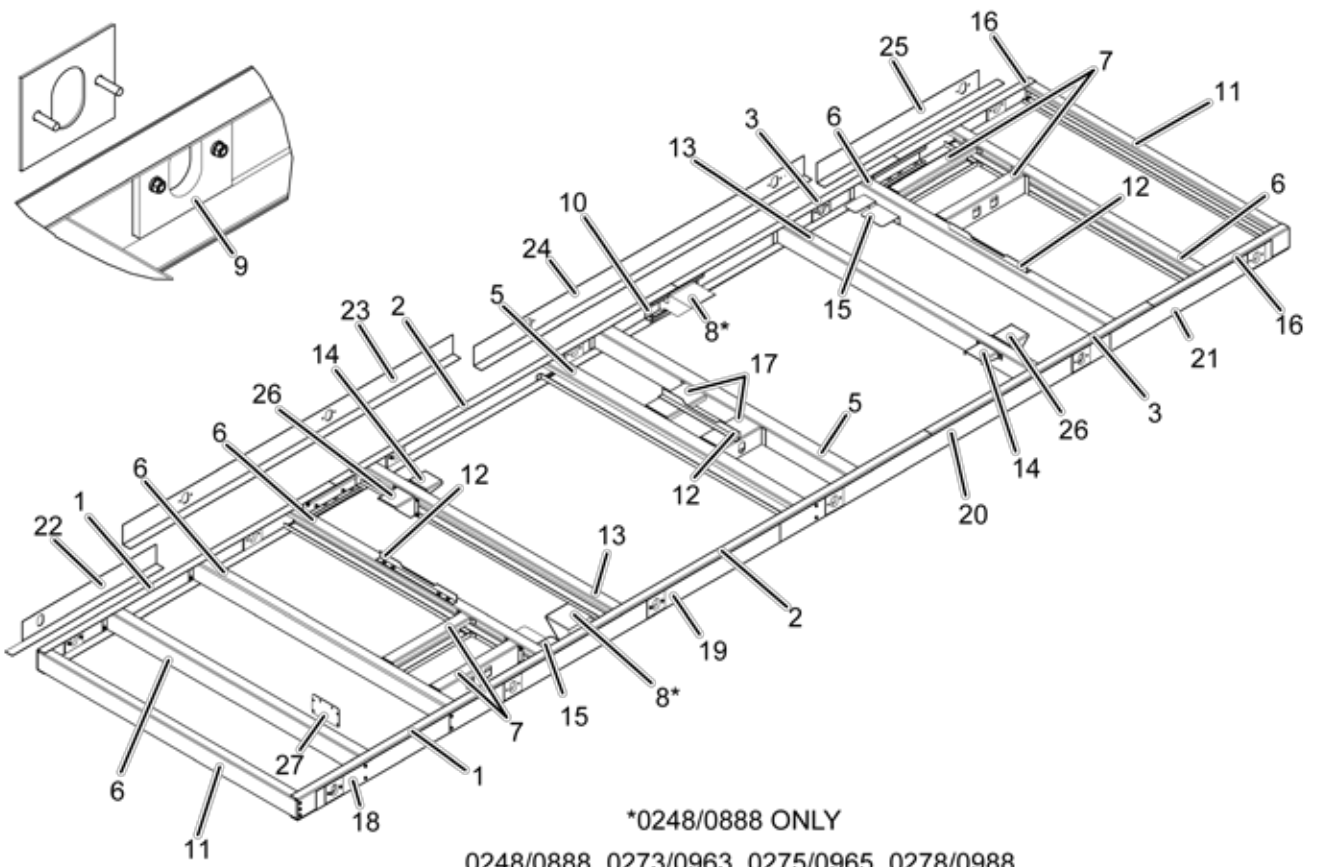
0200/0700

1117308

FIGURE 10 - BASE ASSEMBLY (0198/0688, 0200/0700)



0233/0843

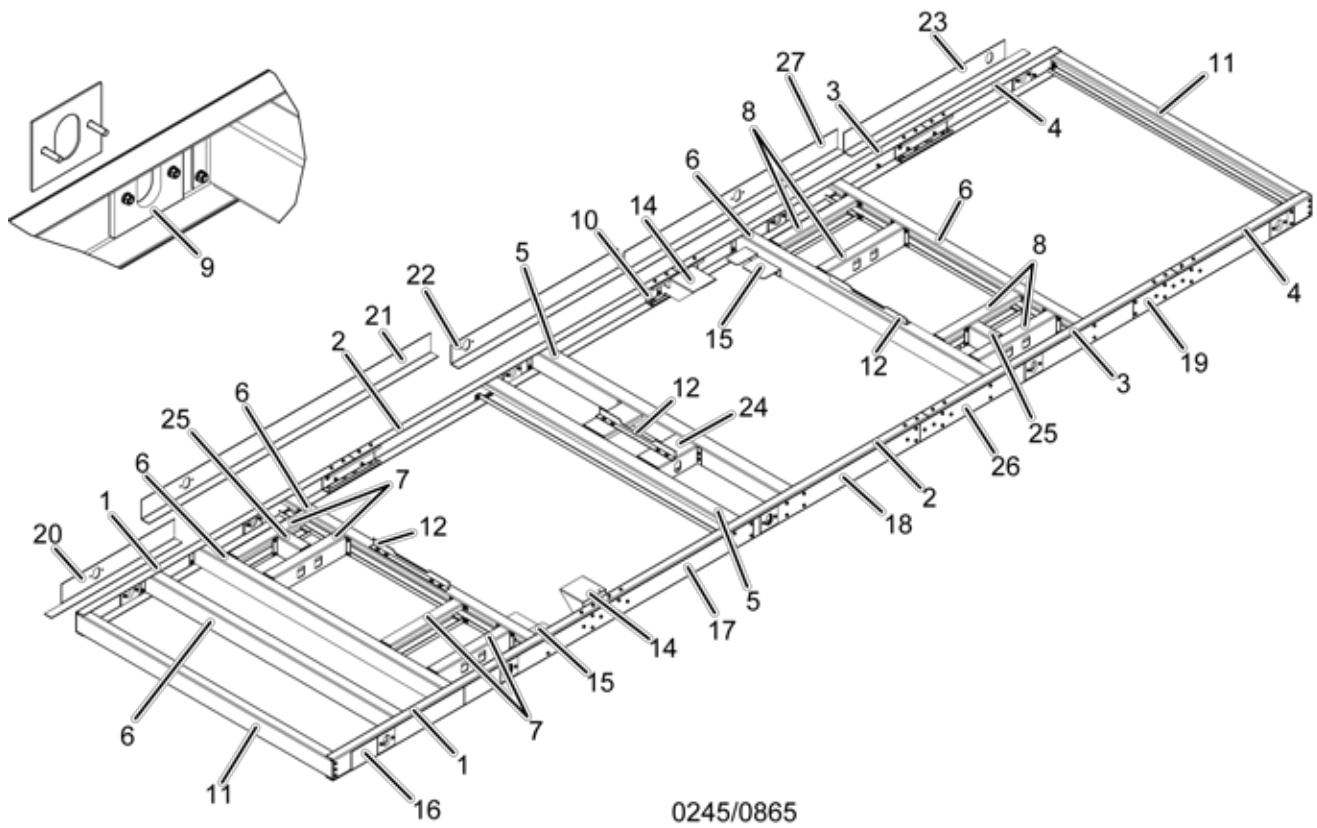
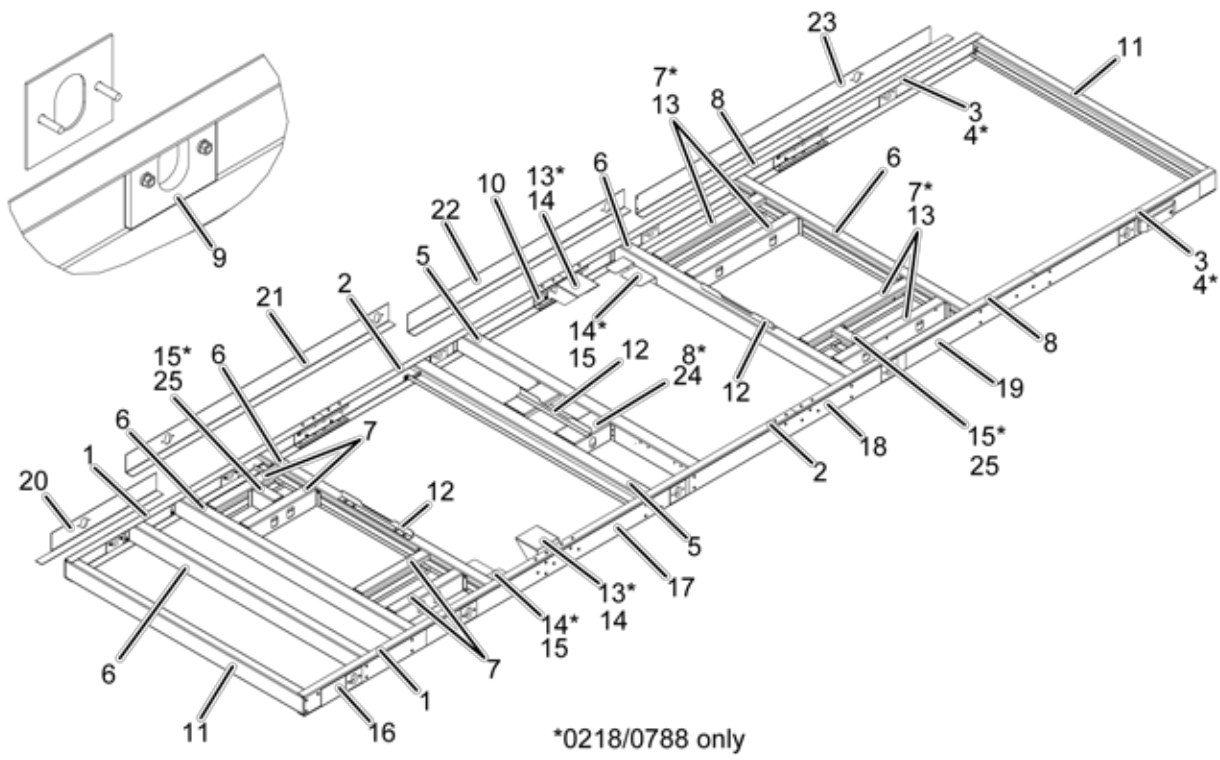


\*0248/0888 ONLY

0248/0888, 0273/0963, 0275/0965, 0278/0988

LD17306

FIGURE 11 - BASE ASSEMBLY (0233/0843, 0248/0888, 0273/0963, 0275/0965, 0278/0988)



LD17310

FIGURE 12 - BASE ASSEMBLY (0218/0788, 0263/0943, 0245/0865)

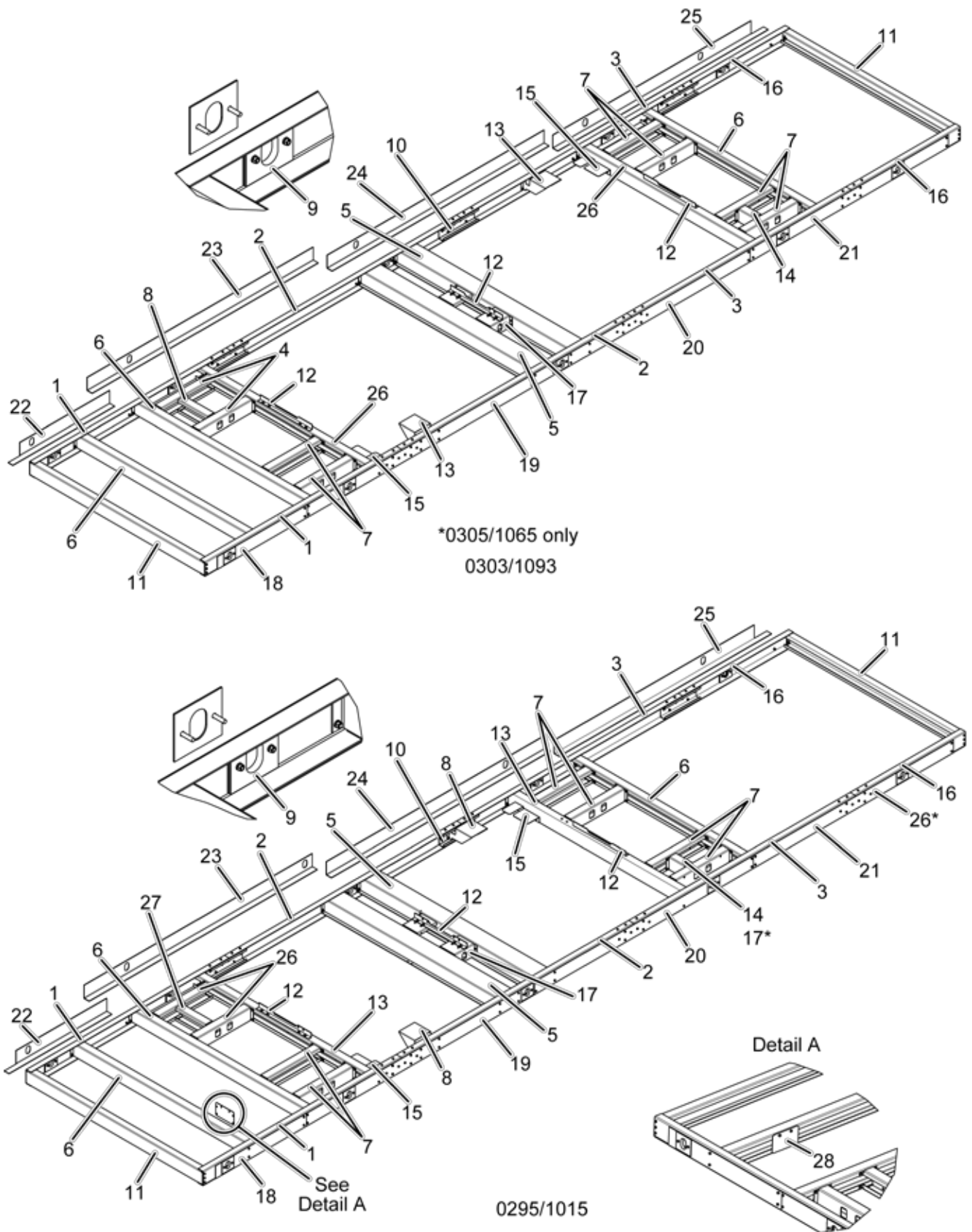
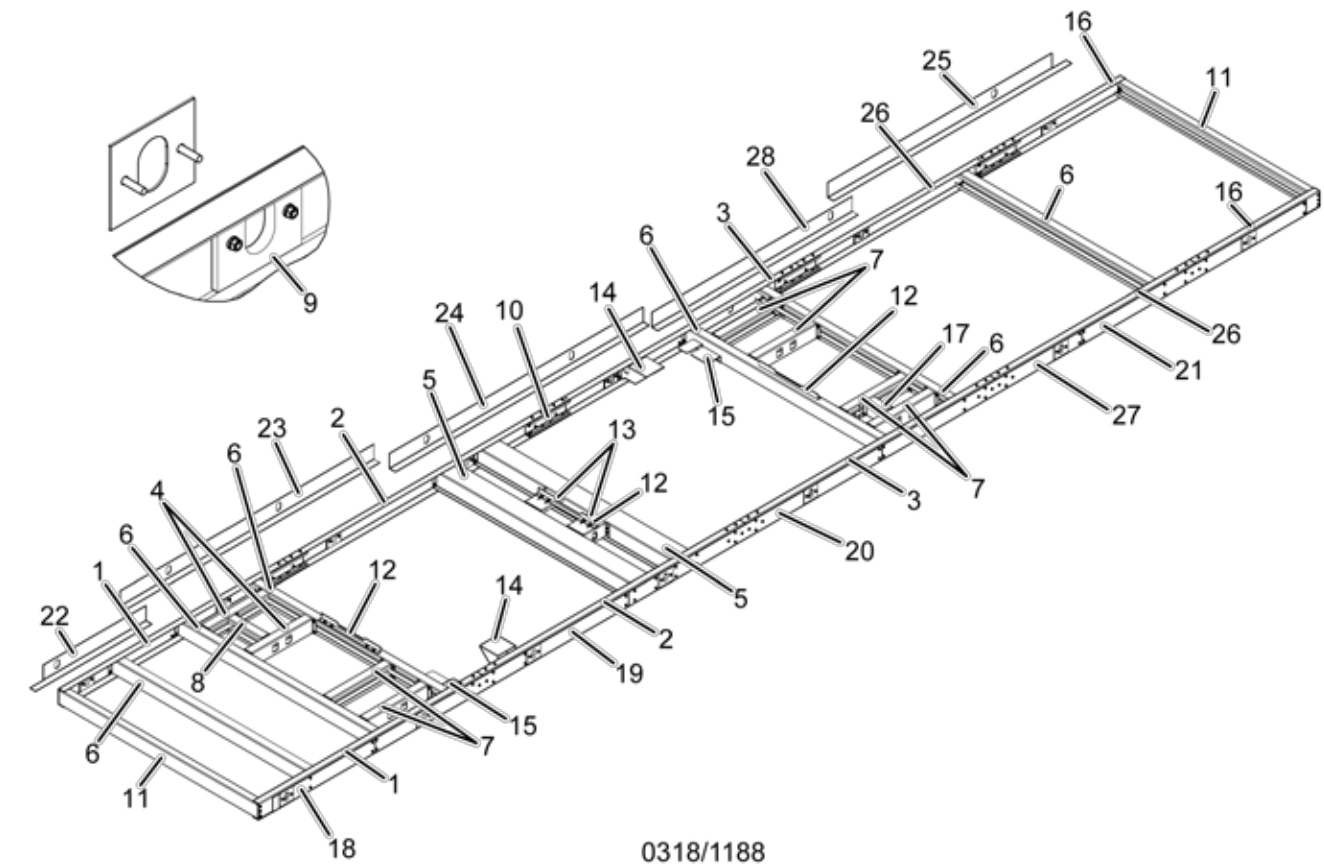
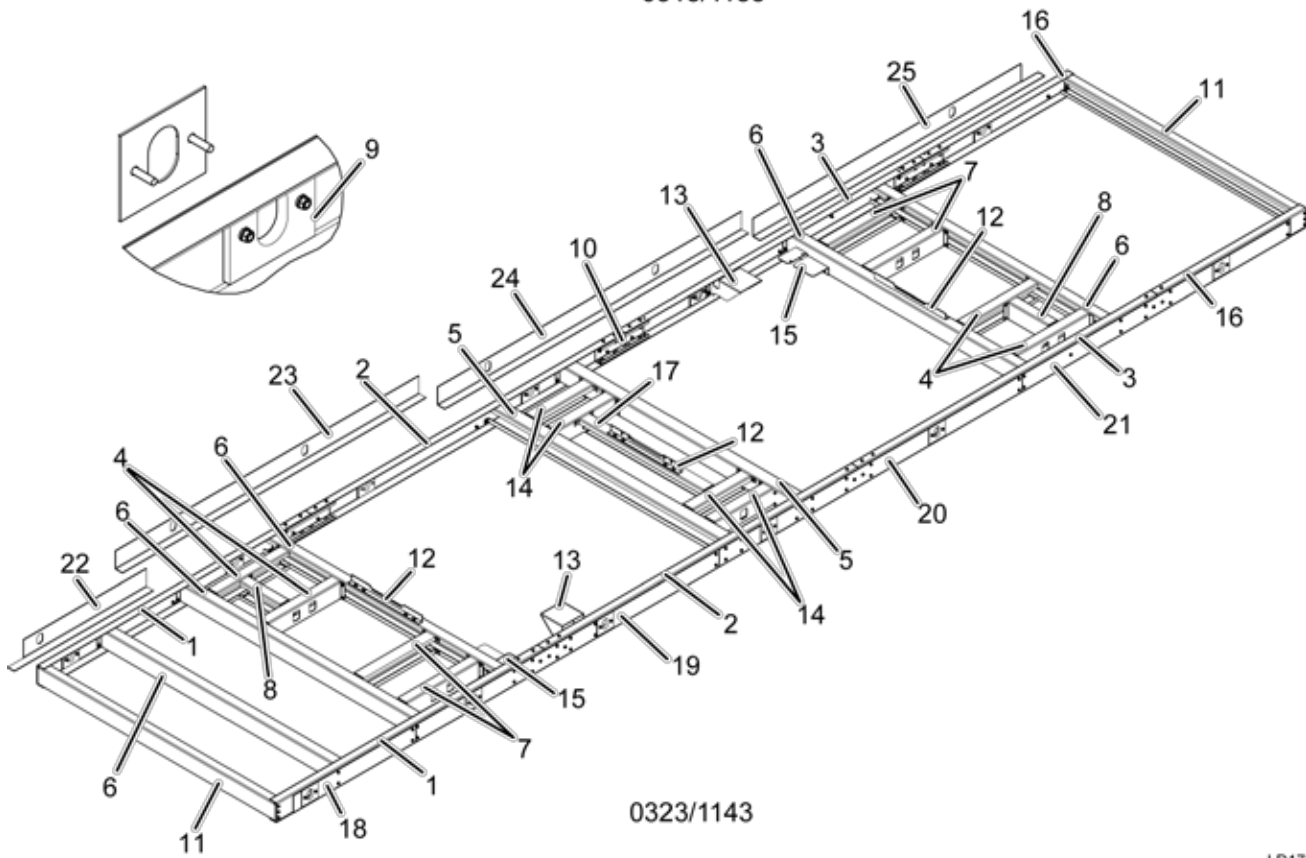


FIGURE 13 - BASE ASSEMBLY (0303/1093, 0305/1065, 0295/1015)



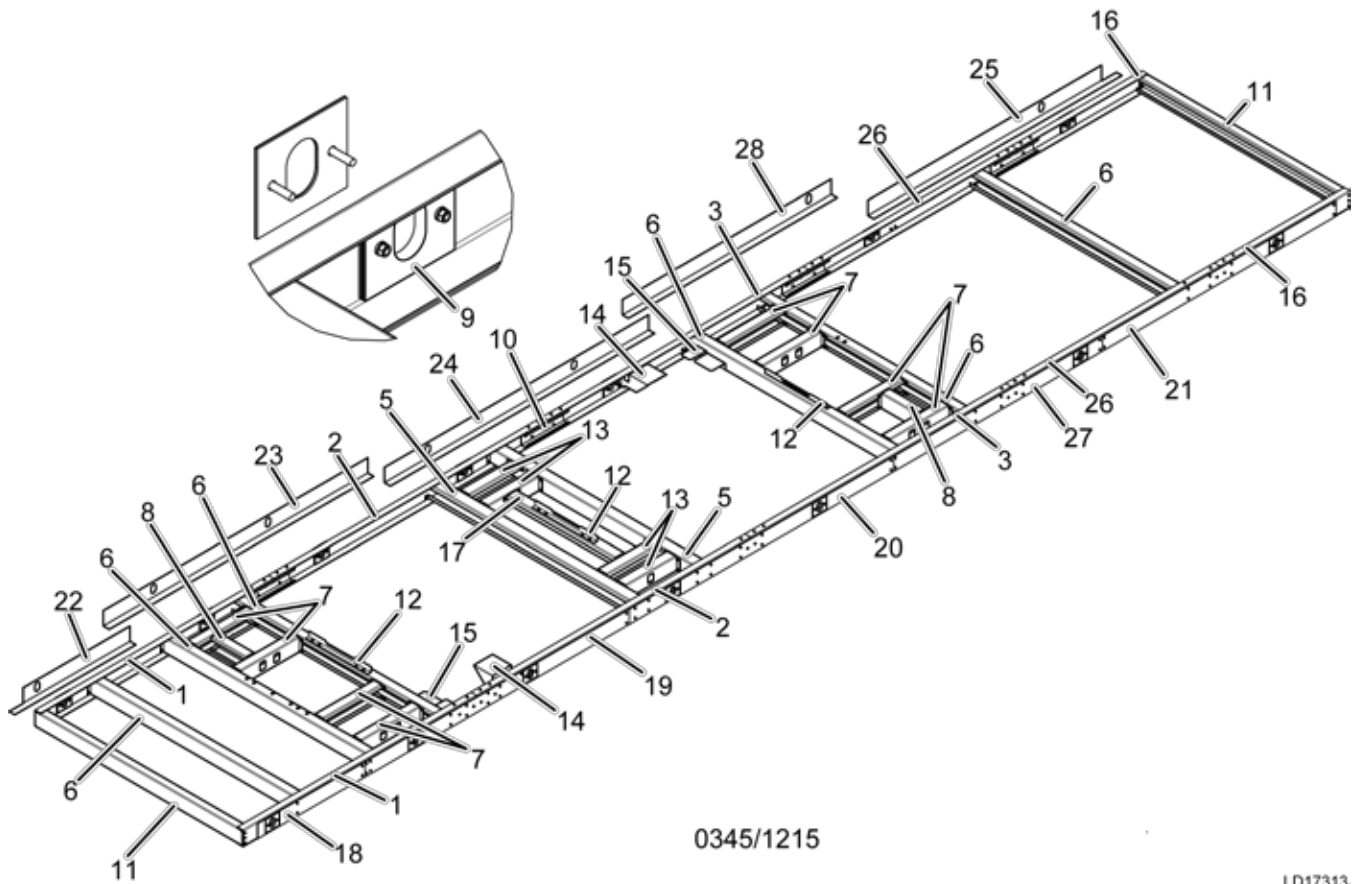
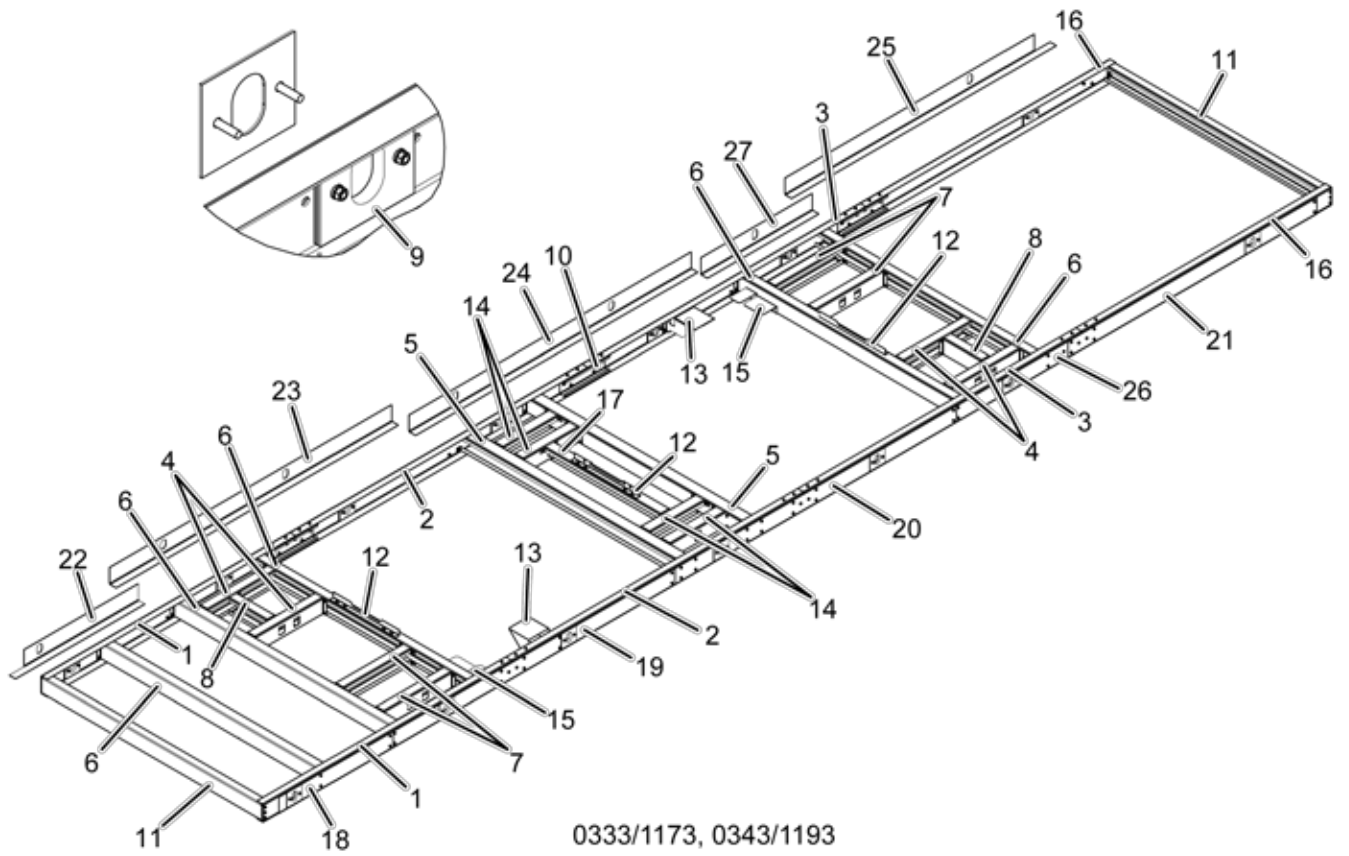
0318/1188



0323/1143

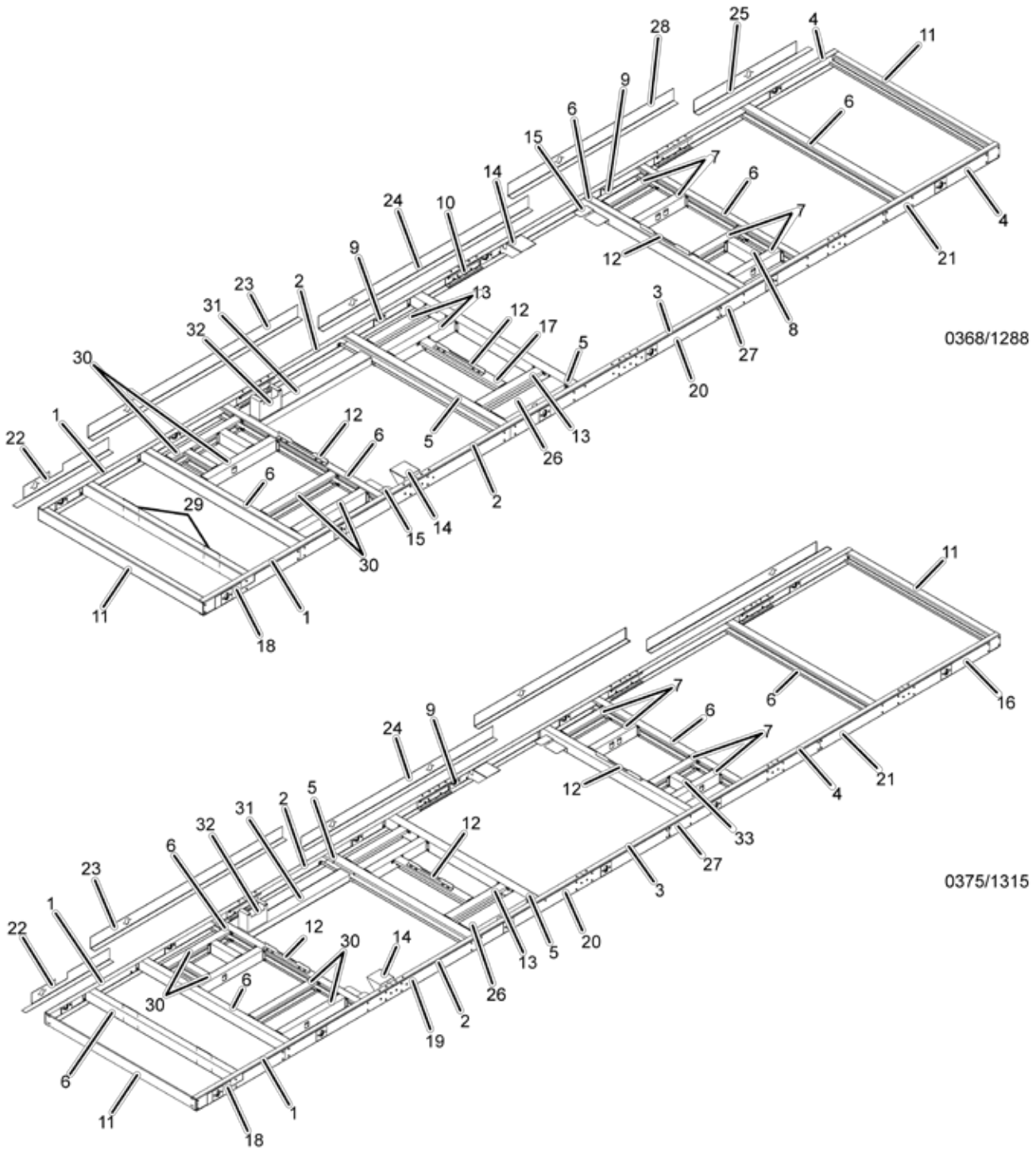
LD17312

FIGURE 14 - BASE ASSEMBLY (0318/1188, 0323/1143)



LD17313

**FIGURE 15 - BASE ASSEMBLY (0333/1173, 0343/1193, 0345/1215)**

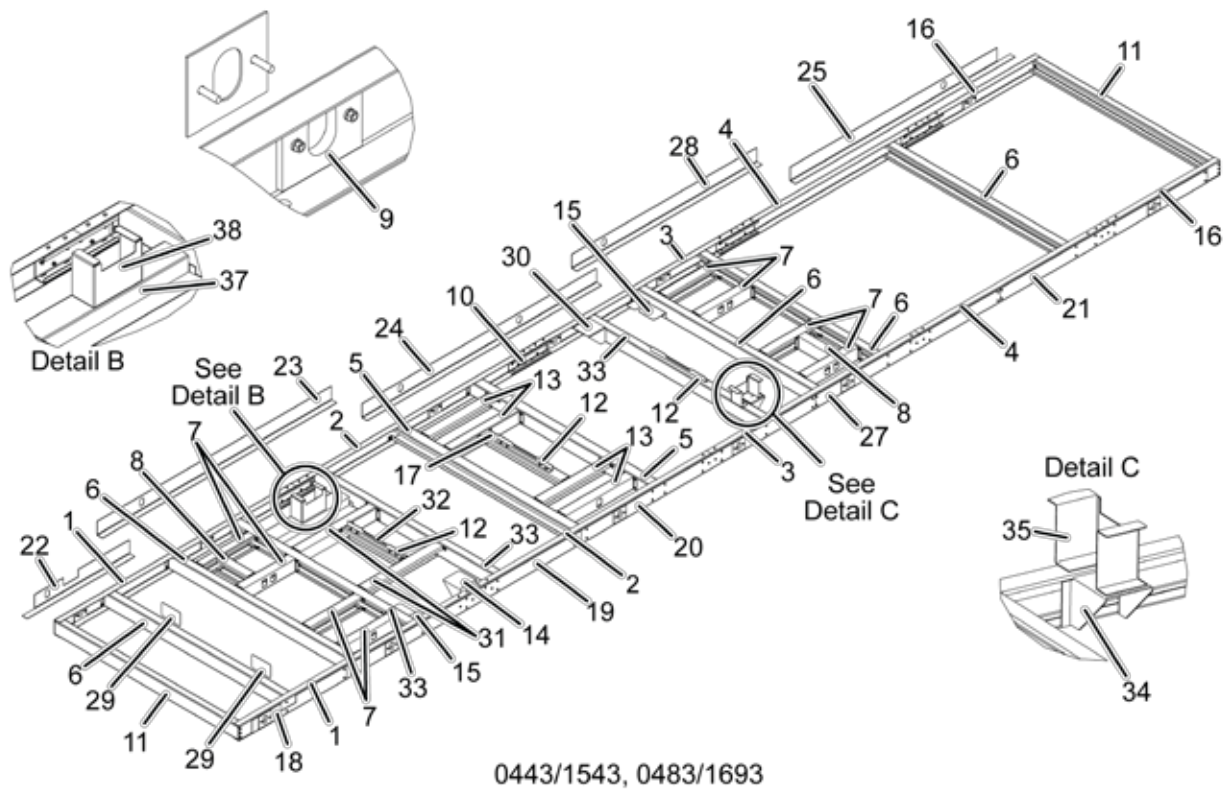
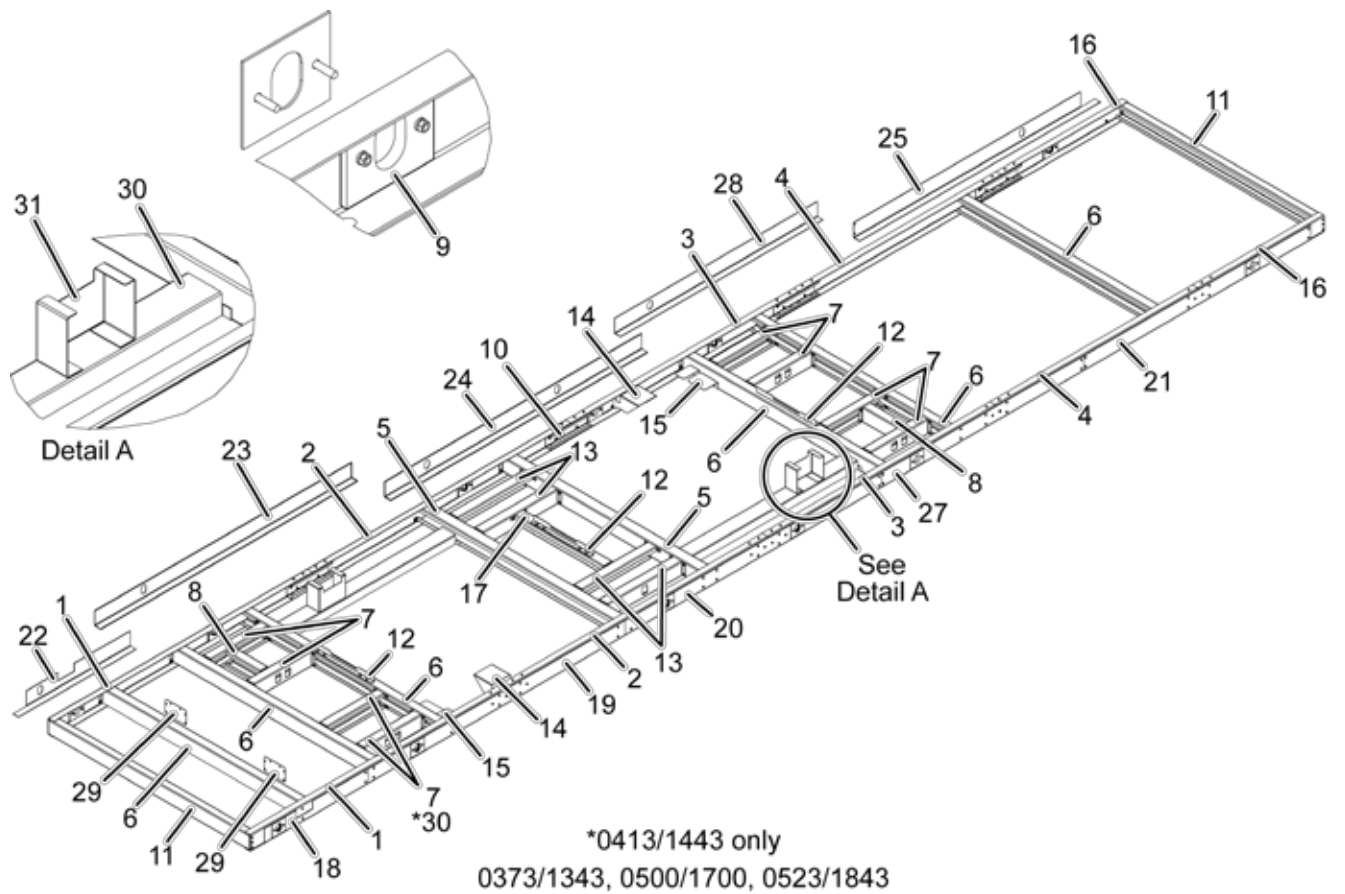


0368/1288

0375/1315

LD18934

FIGURE 16 - BASE ASSEMBLY (0368/1288, 0375/1315)



LD17314

**FIGURE 17 - BASE ASSEMBLY (0373/1343, 0413/1443, 0443/1543, 0483/1693, 0500/1700, 0523/1843)**

**MODELS TO COME**  
(0398/1388, 0425/1515, 0428/1488, 0475/1665)

**FIGURE 18 - BASE ASSEMBLY (0398/1388, 0425/1515, 0428/1488, 0475/1665)**

---

**TABLE 11 - EVAPORATOR COMPONENTS**

ITEM	DESCRIPTION	PART NUMBER	SAP NUMBER	QUANTITY	FIGURE
3	O-Ring Neo1 02.090ld .118Thk M	028-12961-036	618660	2	*
4	Plug Sight 2-1/4 -12 Un-2A	023-17197-000	146345	2	*
5	Box Elec 4 Rd X	025-42751-000	542441	2	*
6	Heater 280 Watt 120 Volt	025-22691-000	65198	2	*
7	Washer Belleville Spring	021-19386-000	730490	152	*

**NOTE:** Items with an \* are NOT represented.

**TABLE 12 - EVAPORATOR TUBES ASME 1-PASS**

MODEL	QUANTITY	150 DWP		300 DWP	
		PART NUMBER	SAP NUMBER	PART NUMBER	SAP NUMBER
0153/0543	82	007-10401-000	728473	007-10612-000	728541
0183/0643	66	007-10581-000	728493	007-10616-000	832329
0213/0743	66				
0233/0843	82	007-10401-000	728473	007-10612-000	728541
0263/0943	82				
0273/0963	98	007-10559-000	728490	007-10615-000	836301
0303/1093	98	007-10583-000	661409	007-10614-000	836150
0323/1143	133	007-10559-000	728490	007-10613-000	825800
0333/1173	98	007-10583-000	661409	007-10614-000	836150
0343/1193	133	007-10559-000	728490	007-10613-000	825800
0373/1343	138	007-10483-000	915443	TBD	
0413/1443	156	007-10621-000	874342		
0443/1543	138	007-10482-000	886348		
0483/1693	138	007-10482-000	886348		
0523/1843	180	007-10559-000	728490		
0165/0565	82	007-10401-000	728473	007-10612-000	728541
0195/0665	66	007-10581-000	728493	007-10616-000	832329
0215/0765	98	007-10583-000	661409	007-10614-000	836150
0245/0865	98				
0275/0965	133	007-10559-000	728490	007-10613-000	825800
0295/1015	133				
0305/1065	98	007-10583-000	661409	007-10614-000	836150
0345/1215	133	007-10559-000	728490	007-10613-000	825800
0375/1315	180	007-10621-000	874342	TBD	
0425/1515	156				
0475/1665	180	007-10559-000	728490		
0178/0588	98	007-10583-000	661409	007-10614-000	836150
0198/0688	82	007-10401-000	728473	007-10612-000	728541
0218/0788	98	007-10583-000	661409	007-10614-000	836150
0248/0888	98				
0278/0988	133	007-10559-000	728490	007-10613-000	825800
0308/1088	133				
0318/1188	133				
0368/1288	180	007-10621-000	874342	TBD	
0398/1388	180				
0428/1488	180				
0200/0700	98	007-10583-000	661409	007-10614-000	836150
0500/1700	180	007-10559-000	728490	TBD	

**TABLE 13 - EVAPORATOR TUBES ASME 2-PASS**

MODEL	QUANTITY	150 DWP		300 DWP	
		PART NUMBER	SAP NUMBER	PART NUMBER	SAP NUMBER
0153/0543	66	007-10581-000	728493	007-10616-000	832329
0183/0643	66				
0213/0743	66				
0233/0843	66				
0263/0943	66				
0273/0963	98	007-10559-000	728490	007-10615-000	836301
0303/1093	98	007-10583-000	661409	007-10614-000	836150
0323/1143	133	007-10559-000	728490	007-10613-000	825800
0333/1173	98	007-10583-000	661409	007-10614-000	836150
0343/1193	133	007-10559-000	728490	007-10613-000	825800
0373/1343	138	007-10483-000	915443	TBD	
0413/1443	156	007-10621-000	874342	007-10621-000	874342
0443/1543	138	007-10482-000	886348	TBD	
0483/1693	138				
0523/1843	180				
0165/0565	66	007-10581-000	728493	007-10616-000	832329
0195/0665	66				
0215/0765	98	007-10583-000	661409	007-10614-000	836150
0245/0865	98				
0275/0965	133	007-10559-000	728490	007-10613-000	825800
0295/1015	133				
0305/1065	98	007-10583-000	661409	007-10614-000	836150
0345/1215	133	007-10559-000	728490	007-10613-000	825800
0375/1315	180	007-10621-000	874342	TBD	
0425/1515	156	007-10621-000	874342	007-10621-000	874342
0475/1665	180	007-10559-000	728490	TBD	
0178/0588	98	007-10583-000	661409	007-10614-000	836150
0198/0688	66	007-10581-000	728493	007-10616-000	832329
0218/0788	98	007-10583-000	661409	007-10614-000	836150
0248/0888	98				
0278/0988	133	007-10559-000	728490	007-10613-000	825800
0308/1088	133				
0318/1188	133				
0368/1288	180	007-10621-000	874342	TBD	
0398/1388	180				
0428/1488	180				
0200/0700	98	007-10583-000	661409	007-10614-000	836150
0500/1700	180	007-10559-000	728490	TBD	

**TABLE 14 - EVAPORATOR TUBES ASME 3-PASS**

MODEL	QUANTITY	150 DWP		300 DWP	
		PART NUMBER	SAP NUMBER	PART NUMBER	SAP NUMBER
0153/0543	82	007-10401-000	728473	007-10612-000	728541
0183/0643	66	007-10581-000	728493	007-10616-000	832329
0213/0743	66				
0233/0843	82	007-10401-000	728473	007-10612-000	728541
0263/0943	82				
0273/0963	98	007-10559-000	728490	007-10615-000	836301
0303/1093	98	007-10583-000	661409	007-10614-000	836150
0323/1143	133	007-10559-000	728490	007-10613-000	825800
0333/1173	98	007-10583-000	661409	007-10614-000	836150
0343/1193	133	007-10559-000	728490	007-10613-000	825800
0373/1343	138	007-10483-000	915443	TBD	
0413/1443	156	007-10621-000	874342		
0443/1543	138	007-10482-000	886348		
0483/1693	138				
0523/1843	180	007-10559-000	728490	007-10612-000	728541
0165/0565	82	007-10401-000	728473	007-10616-000	832329
0195/0665	66	007-10581-000	728493	007-10614-000	836150
0215/0765	98	007-10583-000	661409	007-10613-000	825800
0245/0865	98				
0275/0965	133	007-10559-000	728490	007-10614-000	836150
0295/1015	133	007-10559-000	728490	007-10613-000	825800
0305/1065	98	007-10583-000	661409	007-10614-000	836150
0345/1215	133	007-10559-000	728490	007-10613-000	825800
0375/1315	180	007-10621-000	874342	TBD	
0425/1515	156				
0475/1665	180	007-10559-000	728490		
0178/0588	98	007-10583-000	661409	007-10612-000	728541
0198/0688	82	007-10401-000	728473	007-10614-000	836150
0218/0788	98	007-10583-000	661409	007-10613-000	825800
0248/0888	98				
0278/0988	133	007-10559-000	728490	007-10614-000	836150
0308/1088	133				
0318/1188	133				
0368/1288	180	007-10621-000	874342	TBD	
0398/1388	180				
0428/1488	180				
0200/0700	98	007-10583-000	661409	007-10614-000	836150
0500/1700	180	007-10559-000	728490	TBD	

**TABLE 15 - EVAPORATOR WATERBOX GASKETS ASME 1-PASS**

MODEL	QUANTITY	150 DWP		300 DWP	
		PART NUMBER	SAP NUMBER	PART NUMBER	SAP NUMBER
0153/0543	12.5'	028-09951-000	3802	028-09951-000	3802
0183/0643	11.5'				
0213/0743	11.5'				
0233/0843	12.5'				
0263/0943	12.5'				
0273/0963	12.5'				
0303/1093	12.5'				
0323/1143	14.5'				
0333/1173	12.5'				
0343/1193	14.5'				
0373/1343	13.5'				
0413/1443	14.5'				
0443/1543	13.5'				
0483/1693	13.5'				
0523/1843	14.5'				
0165/0565	12.5'				
0195/0665	11.5'				
0215/0765	12.5'				
0245/0865	12.5'				
0275/0965	14.5'				
0295/1015	14.5'				
0305/1065	12.5'				
0345/1215	14.5'				
0375/1315	14.5'				
0425/1515	14.5'				
0475/1665	14.5'				
0178/0588	12.5'				
0198/0688	12.5'				
0218/0788	12.5'				
0248/0888	12.5'				
0278/0988	14.5'				
0308/1088	14.5'				
0318/1188	14.5'				
0368/1288	14.5'				
0398/1388	14.5'				
0428/1488	14.5'				
0200/0700	12.5'				
0500/1700	14.5'				

**TABLE 16 - EVAPORATOR WATERBOX GASKETS ASME 2-PASS**

MODEL	QUANTITY	150 DWP		300 DWP	
		PART NUMBER	SAP NUMBER	PART NUMBER	SAP NUMBER
0153/0543	14.5'	028-09951-000	3802	028-09951-000	3802
0183/0643	15'				
0213/0743	15'				
0233/0843	14.5'				
0263/0943	14.5'				
0273/0963	14.5'				
0303/1093	14.5'				
0323/1143	16.5'				
0333/1173	14.5'				
0343/1193	16.5'				
0373/1343	15.5'				
0413/1443	15.5'			028-16349-001	742197
0443/1543	15.5'			028-17054-001	1173470
0483/1693	15.5'			028-09951-000	3802
0523/1843	17'				
0165/0565	14.5'				
0195/0665	15'				
0215/0765	14.5'				
0245/0865	14.5'				
0275/0965	16.5'				
0295/1015	16.5'				
0305/1065	14.5'				
0345/1215	16.5'				
0375/1315	17'				
0425/1515	15.5'			028-16349-001	742197
0475/1665	17'			028-17054-001	1173470
0178/0588	14.5'			028-09951-000	3802
0198/0688	14.5'				
0218/0788	14.5'				
0248/0888	14.5'				
0278/0988	16.5'				
0308/1088	16.5'				
0318/1188	16.5'				
0368/1288	17'				
0398/1388	17'				
0428/1488	17'				
0200/0700	14.5'				
0500/1700	17'				

**TABLE 17 - EVAPORATOR WATERBOX GASKETS ASME 3-PASS**

MODEL	QUANTITY	150 DWP		300 DWP	
		PART NUMBER	SAP NUMBER	PART NUMBER	SAP NUMBER
0153/0543	16.5'	028-09951-000	3802	028-09951-000	3802
0183/0643	15'				
0213/0743	15'				
0233/0843	16.5'				
0263/0943	16.5'				
0273/0963	16.5'				
0303/1093	16.5'				
0323/1143	16.5'				
0333/1173	16.5'				
0343/1193	16.5'				
0373/1343	17.5'				
0413/1443	16.5'				
0443/1543	16.5'				
0483/1693	16.5'				
0523/1843	19'				
0165/0565	16.5'				
0195/0665	15'				
0215/0765	16.5'				
0245/0865	16.5'				
0275/0965	16.5'				
0295/1015	16.5'				
0305/1065	16.5'				
0345/1215	16.5'				
0375/1315	19'				
0425/1515	16.5'				
0475/1665	19'				
0178/0588	16.5'				
0198/0688	16.5'				
0218/0788	16.5'				
0248/0888	16.5'				
0278/0988	16.5'				
0308/1088	16.5'				
0318/1188	16.5'				
0368/1288	19'				
0398/1388	19'				
0428/1488	19'				
0200/0700	16.5'				
0500/1700	19'				

**TABLE 18 - EVAPORATOR COMPLETE ASME 1-PASS**

MODEL	DESCRIPTION	150 DWP		300 DWP	
		PART NUMBER	SAP NUMBER	PART NUMBER	SAP NUMBER
0153/0543	Evaporator 1 Pass FFE230	375-89864-010	796728	375-89864-040	796749
0183/0643	Evaporator 1 Pass FFE204	375-93930-010	798981	375-93930-040	832579
0213/0743					
0233/0843	Evaporator 1 Pass FFE230	375-89864-010	796728	375-89864-040	796749
0263/0943					
0273/0963	Evaporator 1 Pass FFE290	392-02454-010	805020	392-02454-040	836332
0303/1093	Evaporator 1 Pass FFE278	375-93209-010	798542	375-93209-040	836310
0323/1143	Evaporator 1 Pass FFE331	375-93189-010	798504	375-93189-040	825962
0333/1173	Evaporator 1 Pass FFE278	375-93209-010	798542	375-93209-040	836310
0343/1193	Evaporator 1 Pass FFE331	375-93189-010	798504	375-93189-040	825962
0373/1343	Evaporator 1 Pass FFE438	392-10752-010	915466	392-10752-040	999762
0413/1443	Evaporator 1 Pass FFE410	392-05072-010	874383	392-05072-040	999698
0443/1543	Evaporator 1 Pass FFE439	392-10784-010	886649	392-10784-040	992518
0483/1693					
0523/1843	Evaporator 1 Pass FFE500	392-03140-010	885269	392-03140-040	885586
0165/0565	Evaporator 1 Pass FFE230	375-89864-010	796728	375-89864-040	796749
0195/0665	Evaporator 1 Pass FFE204	375-93930-010	798981	375-93930-040	832579
0215/0765	Evaporator 1 Pass FFE278	375-93209-010	798542	375-93209-040	836310
0245/0865					
0275/0965	Evaporator 1 Pass FFE331	375-93189-010	798504	375-93189-040	825962
0295/1015					
0305/1065	Evaporator 1 Pass FFE278	375-93209-010	798542	375-93209-040	836310
0345/1215	Evaporator 1 Pass FFE331	375-93189-010	798504	375-93189-040	825962
0375/1315	Evaporator 1 Pass FFE499	392-09738-010	885312	392-09738-040	1041085
0425/1515	Evaporator 1 Pass FFE410	392-05072-010	874383	392-05072-040	999698
0475/1665	Evaporator 1 Pass FFE500	392-03140-010	885269	392-03140-040	885586
0178/0588	Evaporator 1 Pass FFE278	375-93209-010	798542	375-93209-040	836310
0198/0688	Evaporator 1 Pass FFE230	375-89864-010	796728	375-89864-040	796749
0218/0788	Evaporator 1 Pass FFE278	375-93209-010	798542	375-93209-040	836310
0248/0888					
0278/0988	Evaporator 1 Pass FFE331	375-93189-010	798504	375-93189-040	825962
0308/1088					
0318/1188					
0368/1288	Evaporator 1 Pass FFE499	392-09738-010	885312	392-09738-040	1041085
0398/1388					
0428/1488					
0200/0700	Evaporator 1 Pass FFE278	375-93209-010	798542	375-93209-040	836310
0500/1700	Evaporator 1 Pass FFE500	392-03140-010	885269	392-03140-040	885586

**TABLE 19 - EVAPORATOR COMPLETE ASME 2-PASS**

MODEL	DESCRIPTION	150 DWP		300 DWP	
		PART NUMBER	SAP NUMBER	PART NUMBER	SAP NUMBER
0153/0543	Evaporator 2 Pass FFE230	375-89864-000	557000	375-89864-030	796742
0183/0643	Evaporator 2 Pass FFE204	375-93930-000	669403	375-93930-030	832572
0213/0743					
0233/0843	Evaporator 2 Pass FFE230	375-89864-000	557000	375-89864-030	796742
0263/0943					
0273/0963	Evaporator 2 Pass FFE290	392-02454-000	805018	392-02454-030	836325
0303/1093	Evaporator 2 Pass FFE278	375-93209-000	669405	375-93209-030	836303
0323/1143	Evaporator 2 Pass FFE331	375-93189-000	632730	375-93189-030	825955
0333/1173	Evaporator 2 Pass FFE278	375-93209-000	669405	375-93209-030	836303
0343/1193	Evaporator 2 Pass FFE331	375-93189-000	632730	375-93189-030	825955
0373/1343	Evaporator 2 Pass FFE438	392-10752-000	915464	392-10752-030	999755
0413/1443	Evaporator 2 Pass FFE410	392-05072-000	874379	392-05072-030	999691
0443/1543	Evaporator 2 Pass FFE439	392-10784-000	886645	392-10784-030	992511
0483/1693					
0523/1843	Evaporator 2 Pass FFE500	392-03140-000	706354	392-03140-030	885580
0165/0565	Evaporator 2 Pass FFE230	375-89864-000	557000	375-89864-030	796742
0195/0665	Evaporator 2 Pass FFE204	375-93930-000	669403	375-93930-030	832572
0215/0765	Evaporator 2 Pass FFE278	375-93209-000	669405	375-93209-030	836303
0245/0865					
0275/0965	Evaporator 2 Pass FFE331	375-93189-000	632730	375-93189-030	825955
0295/1015					
0305/1065	Evaporator 2 Pass FFE278	375-93209-000	669405	375-93209-030	836303
0345/1215	Evaporator 2 Pass FFE331	375-93189-000	632730	375-93189-030	825955
0375/1315	Evaporator 2 Pass FFE499	392-09738-000	883417	392-09738-030	1041078
0425/1515	Evaporator 2 Pass FFE410	392-05072-000	874379	392-05072-030	999691
0475/1665	Evaporator 2 Pass FFE500	392-03140-000	706354	392-03140-030	885580
0178/0588	Evaporator 2 Pass FFE278	375-93209-000	669405	375-93209-030	836303
0198/0688	Evaporator 2 Pass FFE230	375-89864-000	557000	375-89864-030	796742
0218/0788	Evaporator 2 Pass FFE278	375-93209-000	669405	375-93209-030	836303
0248/0888					
0278/0988	Evaporator 2 Pass FFE331	375-93189-000	632730	375-93189-030	825955
0308/1088					
0318/1188					
0368/1288	Evaporator 2 Pass FFE499	392-09738-000	883417	392-09738-030	1041078
0398/1388					
0428/1488					
0200/0700	Evaporator 2 Pass FFE278	375-93209-000	669405	375-93209-030	836303
0500/1700	Evaporator 2 Pass FFE500	392-03140-000	706354	392-03140-030	885580

**TABLE 20 - EVAPORATOR COMPLETE ASME 3-PASS**

MODEL	DESCRIPTION	150 DWP		300 DWP	
		PART NUMBER	SAP NUMBER	PART NUMBER	SAP NUMBER
0153/0543	Evaporator 3 Pass FFE230	375-89864-020	796735	375-89864-050	796756
0183/0643	Evaporator 3 Pass FFE204	375-93930-020	798988	375-93930-050	832586
0213/0743					
0233/0843	Evaporator 3 Pass FFE230	375-89864-020	796735	375-89864-050	796756
0263/0943					
0273/0963	Evaporator 3 Pass FFE290	392-02454-020	805027	392-02454-050	836339
0303/1093	Evaporator 3 Pass FFE278	375-93209-020	798549	375-93209-050	836317
0323/1143	Evaporator 3 Pass FFE331	375-93189-020	798511	375-93189-050	825969
0333/1173	Evaporator 3 Pass FFE278	375-93209-020	798549	375-93209-050	836317
0343/1193	Evaporator 3 Pass FFE331	375-93189-020	798511	375-93189-050	825969
0373/1343	Evaporator 3 Pass FFE438	392-10752-020	915467	392-10752-050	999769
0413/1443	Evaporator 3 Pass FFE410	392-05072-020	874386	392-05072-050	999705
0443/1543	Evaporator 3 Pass FFE439	392-10784-020	886652	392-10784-050	992525
0483/1693					
0523/1843	Evaporator 3 Pass FFE500	392-03140-020	885270	392-03140-050	885593
0165/0565	Evaporator 3 Pass FFE230	375-89864-020	796735	375-89864-050	796756
0195/0665	Evaporator 3 Pass FFE204	375-93930-020	798988	375-93930-050	832586
0215/0765	Evaporator 3 Pass FFE278	375-93209-020	798549	375-93209-050	836317
0245/0865					
0275/0965	Evaporator 3 Pass FFE331	375-93189-020	798511	375-93189-050	825969
0295/1015					
0305/1065	Evaporator 3 Pass FFE278	375-93209-020	798549	375-93209-050	836317
0345/1215	Evaporator 3 Pass FFE331	375-93189-020	798511	375-93189-050	825969
0375/1315	Evaporator 3 Pass FFE499	392-09738-020	885313	392-09738-050	1041092
0425/1515	Evaporator 3 Pass FFE410	392-05072-020	874386	392-05072-050	999705
0475/1665	Evaporator 3 Pass FFE500	392-03140-020	885270	392-03140-050	885593
0178/0588	Evaporator 3 Pass FFE278	375-93209-020	798549	375-93209-050	836317
0198/0688	Evaporator 3 Pass FFE230	375-89864-020	796735	375-89864-050	796756
0218/0788	Evaporator 3 Pass FFE278	375-93209-020	798549	375-93209-050	836317
0248/0888					
0278/0988	Evaporator 3 Pass FFE331	375-93189-020	798511	375-93189-050	825969
0308/1088					
0318/1188					
0368/1288	Evaporator 3 Pass FFE499	392-09738-020	885313	392-09738-050	1041092
0398/1388					
0428/1488					
0200/0700	Evaporator 3 Pass FFE278	375-93209-020	798549	375-93209-050	836317
0500/1700	Evaporator 3 Pass FFE500	392-03140-020	885270	392-03140-050	885593

**TABLE 21 - EVAPORATOR COMPLETE PED 1-PASS**

MODEL	DESCRIPTION	150 DWP		300 DWP	
		PART NUMBER	SAP NUMBER	PART NUMBER	SAP NUMBER
0153/0543	Evaporator 1 Pass FFE230	375-89864-910	880416	375-89864-940	880418
0183/0643	Evaporator 1 Pass FFE204	375-93930-910	880427	375-93930-940	880429
0213/0743					
0233/0843	Evaporator 1 Pass FFE230	375-89864-910	880416	375-89864-940	880418
0263/0943					
0273/0963	Evaporator 1Pass FFE290	392-02454-910	880431	392-02454-940	880433
0303/1093	Evaporator 1Pass FFE278 PED	375-93209-910	835251	375-93209-940	880425
0323/1143	Evaporator 1Pass FFE331	375-93189-910	880420	375-93189-940	880422
0333/1173	Evaporator 1Pass FFE278 PED	375-93209-910	835251	375-93209-940	880425
0343/1193	Evaporator 1Pass FFE331	375-93189-910	880420	375-93189-940	880422
0373/1343	Evaporator 1 Pass FFE438	392-10752-910	999776	392-10752-940	999797
0413/1443	Evaporator 1 Pass FFE410	392-05072-910	921499	392-05072-940	999719
0443/1543	Evaporator 1 Pass FFE439	392-10784-910	992533	392-10784-940	992564
0483/1693					
0523/1843	Evaporator 1 Pass FFE500	392-03140-910	898183	392-03140-940	885604
0165/0565	Evaporator 1 Pass FFE230	375-89864-910	880416	375-89864-940	880418
0195/0665	Evaporator 1 Pass FFE204	375-93930-910	880427	375-93930-940	880429
0215/0765	Evaporator 1Pass FFE278 PED	375-93209-910	835251	375-93209-940	880425
0245/0865					
0275/0965	Evaporator 1Pass FFE331	375-93189-910	880420	375-93189-940	880422
0295/1015					
0305/1065	Evaporator 1Pass FFE278 PED	375-93209-910	835251	375-93209-940	880425
0345/1215	Evaporator 1Pass FFE331	375-93189-910	880420	375-93189-940	880422
0375/1315	Evaporator 1 Pass FFE499	392-09738-910	945546	392-09738-940	1041106
0425/1515	Evaporator 1 Pass FFE410	392-05072-910	921499	392-05072-940	999719
0475/1665	Evaporator 1 Pass FFE500	392-03140-910	898183	392-03140-940	885604
0178/0588	Evaporator 1Pass FFE278 PED	375-93209-910	835251	375-93209-940	880425
0198/0688	Evaporator 1 Pass FFE230	375-89864-910	880416	375-89864-940	880418
0218/0788	Evaporator 1Pass FFE278 PED	375-93209-910	835251	375-93209-940	880425
0248/0888					
0278/0988	Evaporator 1Pass FFE331	375-93189-910	880420	375-93189-940	880422
0308/1088					
0318/1188					
0368/1288	Evaporator 1 Pass FFE499	392-09738-910	945546	392-09738-940	1041106
0398/1388					
0428/1488					
0200/0700	Evaporator 1Pass FFE278 PED	375-93209-910	835251	375-93209-940	880425
0500/1700	Evaporator 1 Pass FFE500	392-03140-910	898183	392-03140-940	885604

**TABLE 22 - EVAPORATOR COMPLETE PED 2-PASS**

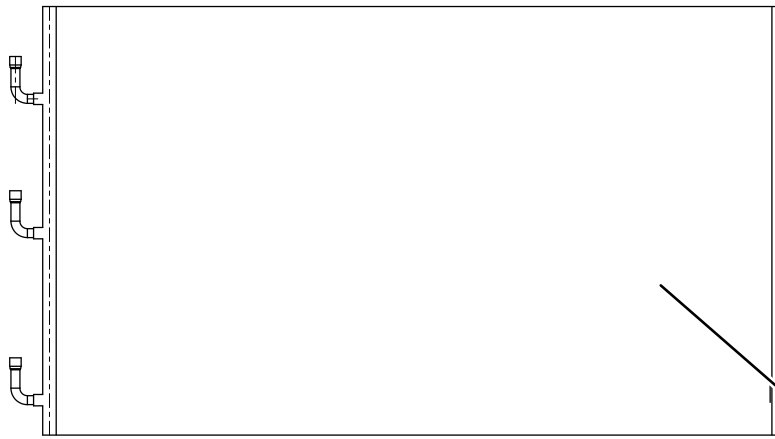
MODEL	DESCRIPTION	150 DWP		300 DWP	
		PART NUMBER	SAP NUMBER	PART NUMBER	SAP NUMBER
0153/0543	Evaporator 2 Pass FFE230 PED	375-89864-990	796773	375-89864-930	880417
0183/0643	Evaporator 2 Pass FFE204 PED	375-93930-990	799005	375-93930-930	862758
0213/0743					
0233/0843	Evaporator 2 Pass FFE230 PED	375-89864-990	796773	375-89864-930	880417
0263/0943					
0273/0963	Evaporator 2 Pass FFE204 PED	375-93930-990	799005	392-02454-930	880432
0303/1093	Evaporator 2 Pass FFE278 PED	375-93209-990	798566	375-93209-930	880424
0323/1143	Evaporator 2 Pass FFE331 PED	375-93189-990	798528	375-93189-930	880421
0333/1173	Evaporator 2 Pass FFE278 PED	375-93209-990	798566	375-93209-930	880424
0343/1193	Evaporator 2 Pass FFE331 PED	375-93189-990	798528	375-93189-930	880421
0373/1343	Evaporator 2 Pass FFE438	392-10752-990	999811	392-10752-930	999790
0413/1443	Evaporator 2 Pass FFE410	392-05072-900	921498	392-05072-930	999712
0443/1543	Evaporator 2 Pass FFE439	392-10784-900	992532	392-10784-930	992547
0483/1693					
0523/1843	Evaporator 2 Pass FFE500	392-03140-900	898182	392-03140-930	885603
0165/0565	Evaporator 2 Pass FFE230 PED	375-89864-990	796773	375-89864-930	880417
0195/0665	Evaporator 2 Pass FFE204 PED	375-93930-990	799005	375-93930-930	862758
0215/0765	Evaporator 2 Pass FFE278 PED	375-93209-990	798566	375-93209-930	880424
0245/0865					
0275/0965	Evaporator 2 Pass FFE331 PED	375-93189-990	798528	375-93189-930	880421
0295/1015					
0305/1065	Evaporator 2 Pass FFE278 PED	375-93209-990	798566	375-93209-930	880424
0345/1215	Evaporator 2 Pass FFE331 PED	375-93189-990	798528	375-93189-930	880421
0375/1315	Evaporator 2 Pass FFE499	392-09738-900	945545	392-09738-930	1041099
0425/1515	Evaporator 2 Pass FFE410	392-05072-900	921498	392-05072-930	999712
0475/1665	Evaporator 2 Pass FFE500	392-03140-900	898182	392-03140-930	885603
0178/0588	Evaporator 2 Pass FFE278 PED	375-93209-990	798566	375-93209-930	880424
0198/0688	Evaporator 2 Pass FFE230 PED	375-89864-990	796773	375-89864-930	880417
0218/0788	Evaporator 2 Pass FFE278 PED	375-93209-990	798566	375-93209-930	880424
0248/0888					
0278/0988	Evaporator 2 Pass FFE331 PED	375-93189-990	798528	375-93189-930	880421
0308/1088					
0318/1188					
0368/1288	Evaporator 2 Pass FFE499	392-09738-900	945545	392-09738-930	1041099
0398/1388					
0428/1488					
0200/0700	Evaporator 2 Pass FFE278 PED	375-93209-990	798566	375-93209-930	880424
0500/1700	Evaporator 2 Pass FFE500	392-03140-900	898182	392-03140-930	885603

**TABLE 23 - EVAPORATOR COMPLETE PED 3-PASS**

MODEL	DESCRIPTION	150 DWP		300 DWP	
		PART NUMBER	SAP NUMBER	PART NUMBER	SAP NUMBER
0153/0543	Evaporator 3 Pass FFE230 PED	375-89864-920	796770	375-89864-950	880419
0183/0643	Evaporator 3 Pass FFE204 PED	375-93930-920	799002	375-93930-950	880430
0213/0743					
0233/0843	Evaporator 3 Pass FFE230 PED	375-89864-920	796770	375-89864-950	880419
0263/0943					
0273/0963	Evaporator 3 Pass FFE290 PED	392-02454-920	805040	392-02454-950	880434
0303/1093	Evaporator 3 Pass FFE278 PED	375-93209-920	798563	375-93209-950	880426
0323/1143	Evaporator 3 Pass FFE331 PED	375-93189-920	798525	375-93189-950	880423
0333/1173	Evaporator 3 Pass FFE278 PED	375-93209-920	798563	375-93209-950	880426
0343/1193	Evaporator 3 Pass FFE331 PED	375-93189-920	798525	375-93189-950	880423
0373/1343	Evaporator 2 Pass FFE438	392-10752-920	999783	392-10752-950	999804
0413/1443	Evaporator 3 Pass FFE410	392-05072-920	921506	392-05072-950	999726
0443/1543	Evaporator 3 Pass FFE439	392-10784-920	992540	392-10784-950	992571
0483/1693					
0523/1843	Evaporator 3 Pass FFE500	392-03140-920	898190	392-03140-950	885605
0165/0565	Evaporator 3 Pass FFE230 PED	375-89864-920	796770	375-89864-950	880419
0195/0665	Evaporator 3 Pass FFE204 PED	375-93930-920	799002	375-93930-950	880430
0215/0765	Evaporator 3 Pass FFE278 PED	375-93209-920	798563	375-93209-950	880426
0245/0865					
0275/0965	Evaporator 3 Pass FFE331 PED	375-93189-920	798525	375-93189-950	880423
0295/1015					
0305/1065	Evaporator 3 Pass FFE278 PED	375-93209-920	798563	375-93209-950	880426
0345/1215	Evaporator 3 Pass FFE331 PED	375-93189-920	798525	375-93189-950	880423
0375/1315	Evaporator 3 Pass FFE499	392-09738-920	945553	392-09738-950	104113
0425/1515	Evaporator 3 Pass FFE410	392-05072-920	921506	392-05072-950	999726
0475/1665	Evaporator 3 Pass FFE500	392-03140-920	898190	392-03140-950	885605
0178/0588	Evaporator 3 Pass FFE278 PED	375-93209-920	798563	375-93209-950	880426
0198/0688	Evaporator 3 Pass FFE230 PED	375-89864-920	796770	375-89864-950	880419
0218/0788	Evaporator 3 Pass FFE278 PED	375-93209-920	798563	375-93209-950	880426
0248/0888					
0278/0988	Evaporator 3 Pass FFE331 PED	375-93189-920	798525	375-93189-950	880423
0308/1088					
0318/1188					
0368/1288	Evaporator 3 Pass FFE499	392-09738-920	945553	392-09738-950	104113
0398/1388					
0428/1488					
0200/0700	Evaporator 3 Pass FFE278 PED	375-93209-920	798563	375-93209-950	880426
0500/1700	Evaporator 3 Pass FFE500	392-03140-920	898190	392-03140-950	885605

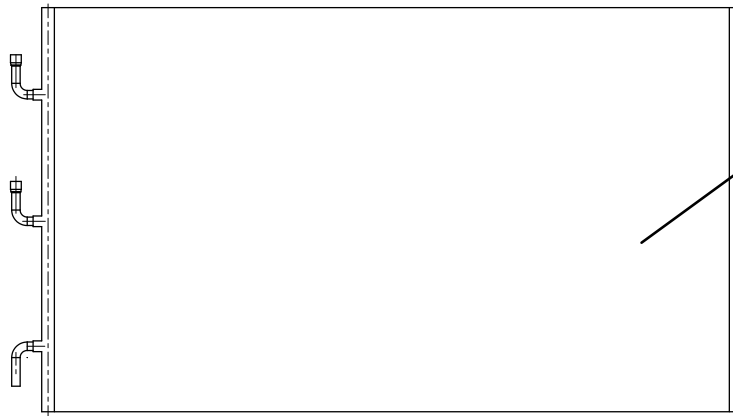
**TABLE 24 - CONDENSER COILS**

ITEM	PIN 50=	MODEL	DESCRIPTION	PART NUMBER	SAP NUMBER	FIGURE	
2	A	0153/0543, 0183/0643, 0200/0700, 0213/0743, 0233/0843, 0263/0943, 0273/0963, 0303/1093, 0323/1143, 0333/1173, 0343/1193, 0373/1343, 0413/1443, 0443/1543, 0483/1693, 0500/1700, 0523/1843	Coil	375-75763-101	395044	19	
	B		Coil, Pre Coated	375-75763-105	792566		
	C		Coil, CU	375-75763-103	792564		
	E		Coil, Pre Coated, Tube Fin	392-07095-107	860557		
	M		Coil, Microchannel	026-46798-000	741348		
	N		0153/0543 - 0523/1843	Coil, Post Coated Microchannel	326-46798-000		696081
	P		0153/0543, 0183/0643, 0200/0700, 0213/0743, 0233/0843, 0263/0943, 0273/0963, 0303/1093, 0323/1143, 0333/1173, 0343/1193, 0373/1343, 0413/1443, 0443/1543, 0483/1693, 0500/1700, 0523/1843	Coil, Post Coated	375-75763-107		792568
3	A	0153/0543, 0183/0643, 0200/0700, 0213/0743, 0233/0843, 0263/0943, 0273/0963, 0303/1093, 0323/1143, 0333/1173, 0343/1193, 0373/1343, 0413/1443, 0443/1543, 0483/1693, 0500/1700, 0523/1843	Coil	375-75763-102	395045	19	
	B		Coil, Pre Coated	375-75763-106	792567		
	C		Coil, CU	375-75763-104	792565		
	E		Coil, Pre Coated, Tube Fin	392-07095-108	860558		
	P		Coil, Post Coated	375-75763-108	792569		



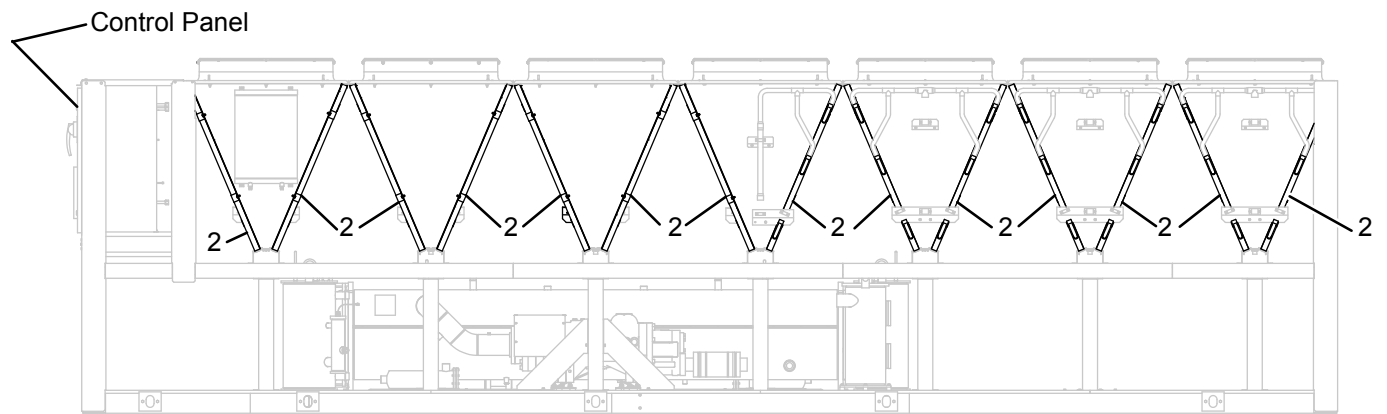
026-45677-000 (microchannel, standard aluminum)  
326-45677-000 (microchannel, post coated)

MAXIMUM WORKING PRESSURE = 375 PSIG



026-46798-000 (microchannel, standard aluminum)  
326-46798-000 (microchannel, post coated)

MAXIMUM WORKING PRESSURE = 375 PSIG



0218/0788. 0263/0943. 0275/0965 SHOWN

LD15159

**FIGURE 19 - CONDENSER COILS, TYPICAL CONFIGURATION**

**TABLE 25 - EVAPORATOR WATERBOX HEATER KITS**

MODEL	KIT PART NUMBER			
	200, 230, 380, 460, AND 575V : 60HZ		380-415V : 50HZ	
	PART NUMBER	SAP NUMBER	PART NUMBER	SAP NUMBER
0153/0543	375-94414-001	683769	375-94414-002	799160
0165/0565, 0198/0688, 0233/0843, 0263/0943	375-94414-003	799161	375-94414-004	799162
0178/0588, 0218/0788, 0248/0888, 0303/1093, 0305/1065, 0333/1173	375-94414-005	799163	375-94414-006	799164
0183/0643, 0195/0665, 0213/0743	375-94414-007	799165	375-94414-008	799166
0200/0700	375-94414-009	799167	375-94414-010	799168
0215/0765	375-94414-011	799169	375-94414-012	799170
0245/0865	375-94414-013	799171	375-94414-014	799172
0273/0963 - 0295/1015, 0308/1088 - 0323/1143, 0343/1193 - 0523/1843	375-94414-015	799173	375-94414-016	799174

**NOTE:** See Table 13 on page 89 for Water Box Heater Parts.

**TABLE 26 - EVAPORATOR WATERBOX HEATER**

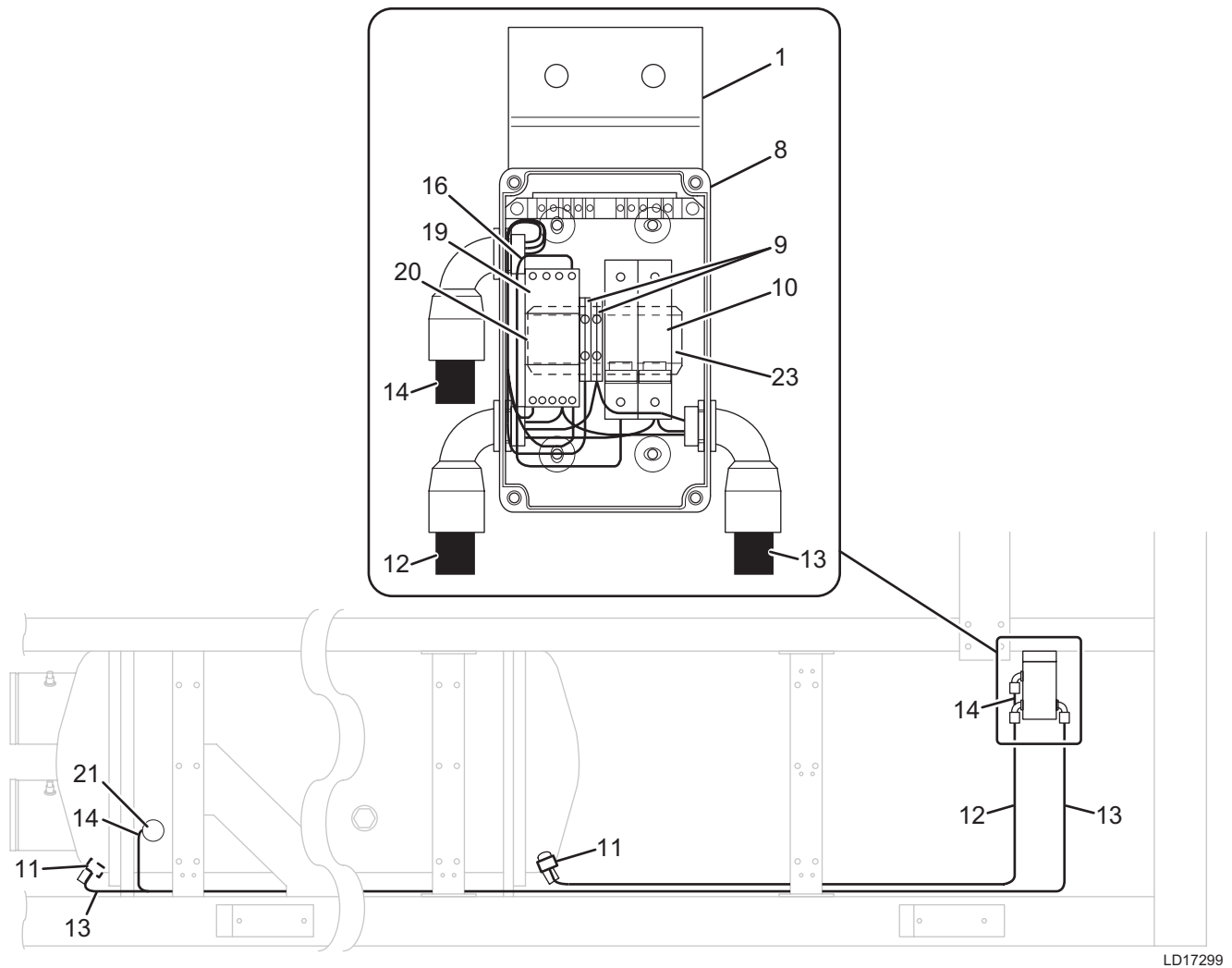
ITEM	VOLTAGE	MODEL	DESCRIPTION	PART NUMBER	SAP NUMBER	QTY	FIGURE
1	All	All	Bracket, Support, Terminal	075-94416-000	762100	1	20
8	All	All	Enclosure, Distribution IP65	025-42792-000	683771	1	20
9	All	All	Ground Terminal Block	029-25918-000	683772	2	20
10	All	All	Circuit Breaker, 2 Pole	024-37464-000	683773	1	20
11	17, 28, 40, 42, 46, 58	All	Heater, Screw Plug Immersion	025-42430-000	556345	2	20
	025-44460-000			740496			
12	All	0153/0543, 0200/0700	Immersion Heater 1/Jb Eth1	575-77880-243	683774	1	20
		0165/0565, 0183/0643, 0195/0665, 0198/0688, 0213/0743, 0233/0843, 0245/0865, 0263/0943		575-77880-281	710429		
		0178/0588, 0215/0765, 0218/0788, 0248/0888, 0273/0963 - 0523/1843		575-77880-284	808460		
13	All	0153/0543	Immersion Heater 1/Jb Eth2	575-77880-244	808446	1	20
		0165/0565, 0198/0688, 0233/0843, 0263/0943	Immersion Heater 2/Jb Eth2	575-77880-282	710472		
		0178/0588, 0215/0765, 0218/0788, 0248/0888, 0303/1093, 0305/1065, 0333/1173		575-77880-285	808461		
		0183/0643, 0195/0665, 0200/0700, 0213/0743		575-77880-287	808463		
		0245/0865		575-77880-290	808466		
		0273/0963 - 0295/1015, 0308/1088 - 0323/1143, 0343/1193 - 0523/1843		575-77880-292	808468		
14	All	0153/0543		Wiring Harness	575-77880-245	808447	1
		0165/0565, 0198/0688, 0233/0843, 0263/0943	575-77880-283		710473		
		0178/0588, 0218/0788, 0248/0888, 0303/1093, 0305/1065, 0333/1173	575-77880-286		808462		
		0183/0643, 0195/0665, 0200/0700, 0213/0743	575-77880-288		808464		
		0215/0765, 0273/0963 - 0295/1015, 0308/1088 - 0323/1143, 0343/1193 - 0523/1843	575-77880-289		808465		
		0245/0865	575-77880-291		808467		
15	All	All	Wiring Harness Crossover	575-84742-001	683777	1	*

THIS PAGE INTENTIONALLY LEFT BLANK.

**TABLE 26 - EVAPORATOR WATERBOX HEATER (CONT'D)**

ITEM	VOLTAGE	MODEL	DESCRIPTION	PART NUMBER	SAP NUMBER	QTY	FIGURE
16	All	All	Strap, Cable, Black	025-23765-003	524590	12	20
19	All	All	Relay Base	024-37460-000	683780	1	20
20	All	All	Relay	024-37461-000	683781	1	20
21	All	All	Housing, Connector, Electrical Plug	025-19671-000	737534	1	20
23	All	All	DIn rail L=101.60mm W=35.00mm D=7.50mm	071-01472-423	854472	1	20

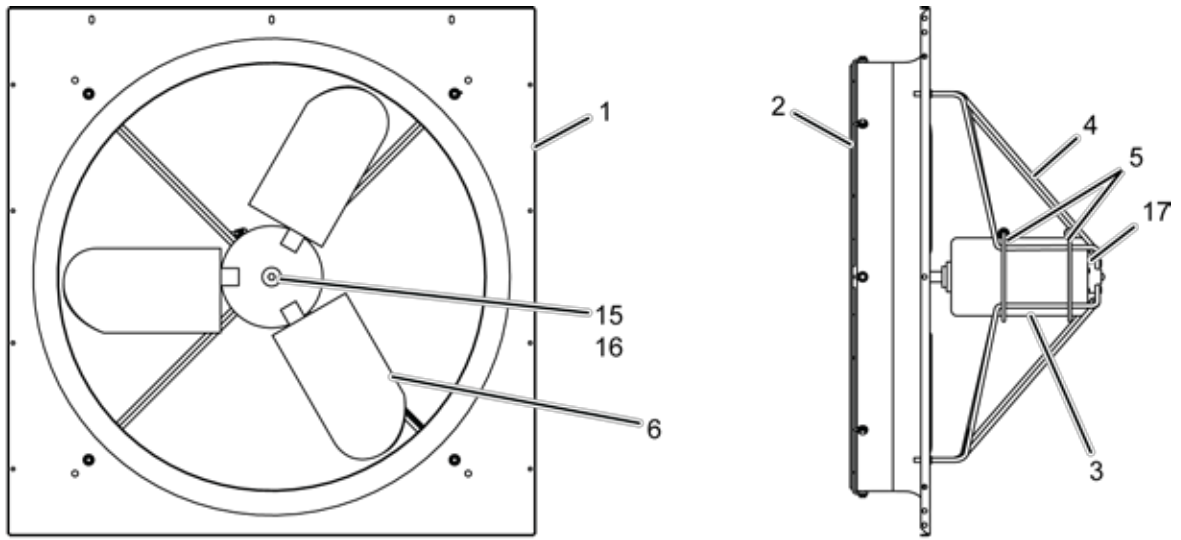
**NOTE:** Items with an \* are NOT represented.



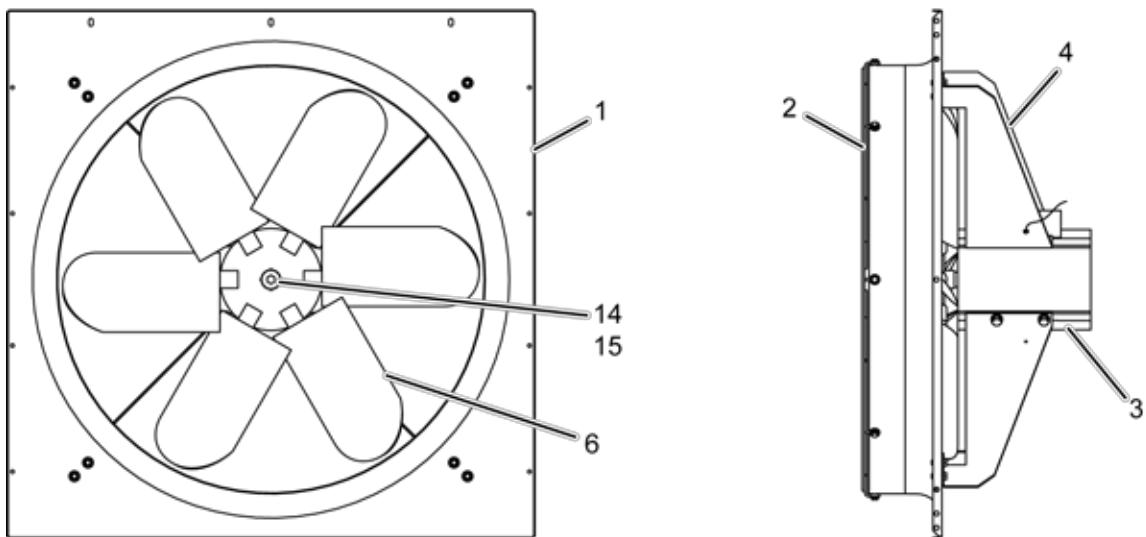
**FIGURE 20 - EVAPORATOR WATERBOX HEATER**

**TABLE 27 - FAN COMPONENTS FOR LOW SOUND, ULTRA QUIET AND HIGH FLOW / HIGH STATIC FANS**

ITEM	DESCRIPTION	VOLTAGE CODE	FAN TYPE				FIGURE
			LOW SOUND	ULTRA QUIET FAN	HIGH AIRFLOW	HIGH STATIC	
1	Orifice, Flanged	ALL	026-45682-000				21
2	Guard, Fan	ALL	026-46008-000				21
	Guard, Fan CE	50	026-46008-001				
3	Motor, Fan, 2 Hp, 6 Pole, 950 RPM	17, 28, 46, 50, 58	024-36873-107	----	----	----	21
	Motor, Fan, 2 Hp, 6 Pole, 1150 RPM	40, 42	024-36873-104	----	----	----	
	Motor, Fan, 8 Pole, 690/850 RPM	17, 28, 46, 58	----	024-34980-101	----	----	
	Motor, Fan, 8 Pole, 850 RPM	40, 42	----	024-34980-105	----	----	
	Motor, Fan, 8 Pole, 690 RPM	50	----	024-34980-103	----	----	
	Motor, Fan, 3 Hp, 6 Pole, 1150 RPM	17, 28, 46, 58	----	----	024-36874-003	----	
	Motor, Fan, 3 Hp, 1150 RPM	40, 42	----	----	024-36874-002	----	
	Motor, Fan, 3 Hp, 6 Pole, 950 RPM	50	----	----	024-36874-004	----	
	Motor Fan, 5 HP	All	----	----	----	024-36081-003	
4	Support, Fan Motor	ALL	026-46735-000	----	----	----	21
		ALL	----	026-45533-000	----	----	
		ALL	----	----	075-67014-000	----	
5	Support, Ring	ALL	026-36367-000	----	----	----	21
6	Fan Impeller, 900mm	17, 28, 46, 40, 42, 58	026-41594-000	----	----	----	21
		50	026-41943-000	----	----	----	
		17, 28, 46, 50, 58	----	026-41942-000	----	----	
		50	----	026-45549-000	----	----	
		17, 28, 46, 40, 58	----	----	026-45538-000	----	
		50	----	----	026-46066-000	----	
14	Spacer, Fan Motor	ALL	----	----	075-40485-000	----	21
15	Spacer, Fan Motor	ALL	075-29007-000		075-67017-000	----	21
16	Spacer, Fan Motor	ALL	075-40484-000		----	----	21
17	Hub, Square	ALL	026-41939-005		----	----	21



LOW SOUND AND ULTRA QUIET FAN



HIGH FLOW / HIGH STATIC FAN

LD15905

**FIGURE 21 - FAN COMPONENTS FOR LOW SOUND, ULTRA QUIET AND HIGH FLOW / HIGH STATIC FANS**

**TABLE 28 - PIPING ASSEMBLY 0153 / 0543**

ITEM	PIN 35 =	PIN 50 =	DESCRIPTION	PART NUMBER	SAP NUMBER	QTY	FIGURE
1	All	All	Muffler, Discharge	375-89871-000	549123	2	22
4	All	All	Kit, Evaporator Waterbox Drain	392-07157-000	900408	1	22
205	All	All	Dehydrator Less Cores	026-16960-000	740681	2	22
206	All	All	Valve	022-09779-000	731283	2	22
208	All	All	Valve, Shut-Off Ball	022-11326-000	731365	2	22
211	All	All	Valve, Expansion Electronic	025-41565-000	346234	2	22
212	All	All	Indicator Moist Liquid Body	026-32399-000	740784	4	22
213	All	All	Indicator Moist Liquid Cap	026-32800-000	740799	4	22
215	All	All	Valve Angle Compr	022-11358-000	731384	2	22
216	All	All	Eductor Assembly	375-79597-000	549137	2	22
			Block, Oil Eductor	026-47323-000	994839	2	
			Filter Drier 3/8 Orfs	026-37563-000	740969	2	
			O-Ring Neo1 00.364id .070thk M	028-12961-012	618648	8	
			O-Ring Neo1 00.924id .116thk M	028-12961-006	588821	2	
			O-Ring Neo1 00.739id .070thk M	028-12961-015	618651	2	
218	All	All	Fitting, 37 Deg. Flared Tube	023-18945-000	556321	4	22
220	All	All	Valve, Ball, 1/2" OD (C X C)	022-09172-000	731238	2	22
222	All	All	Valve, Charging Brass	022-09754-000	391983	6	22
224	All	All	Gasket, Flange, 3" ID 5.75 Bc	028-15296-001	742120	2	22
225	All	All	Ctg Dehy 100 Percent Molecular	026-37540-000	740964	6	22
226	X	All	Gasket Round Flange Ansi 300 #	028-15965-001	742176	2	22
228	All	All	Switch, Liquid Level	025-43324-101	636214	2	22
229	All	All	Valve, Expansion Electronic	025-44027-000	740403	2	22
230	All	All	Plug, Pipe, 1/4" NPTE Square	023-01195-000	711235	2	22
232	All	All	Valve, Transducer, 1/4" NPTF 3/8" ODS 1/4" FI	022-12370-000	837987	2	22
233	All	All	Valve, Ball, 1-5/8" ODS Conn	022-08883-000	731236	2	22
235	All	All	Valve, Ball, 3/8" ODS Conn	022-11906-000	695896	2	22
241	F or S	All	Valve, Butterfly, Size 5	022-10641-005	147048	2	22
264	All	All	Valve, Check, 1-5/8"	022-12037-000	577074	2	22
280	F	All	Valve, Ball, 3/4" ODS	022-09580-000	48288	2	22

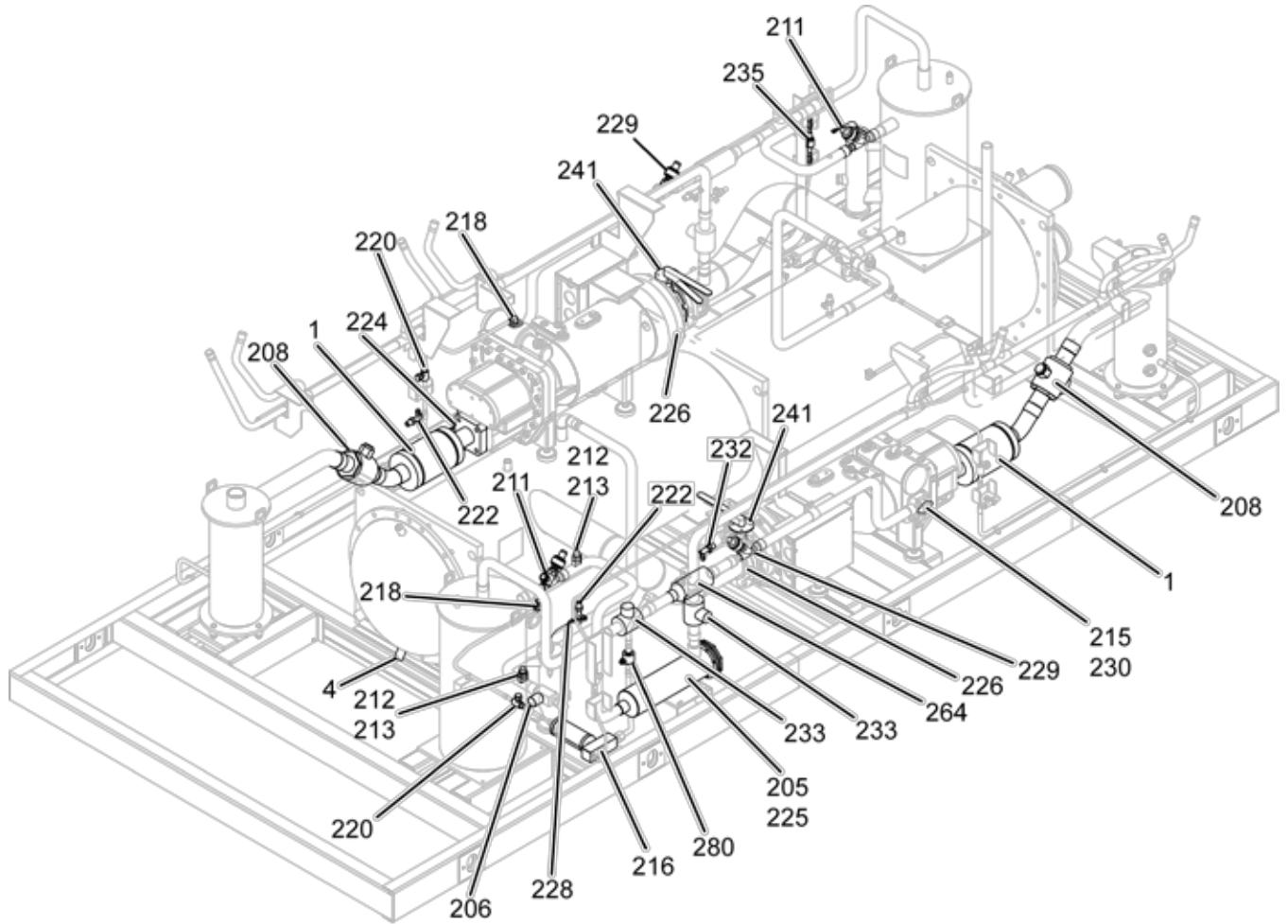
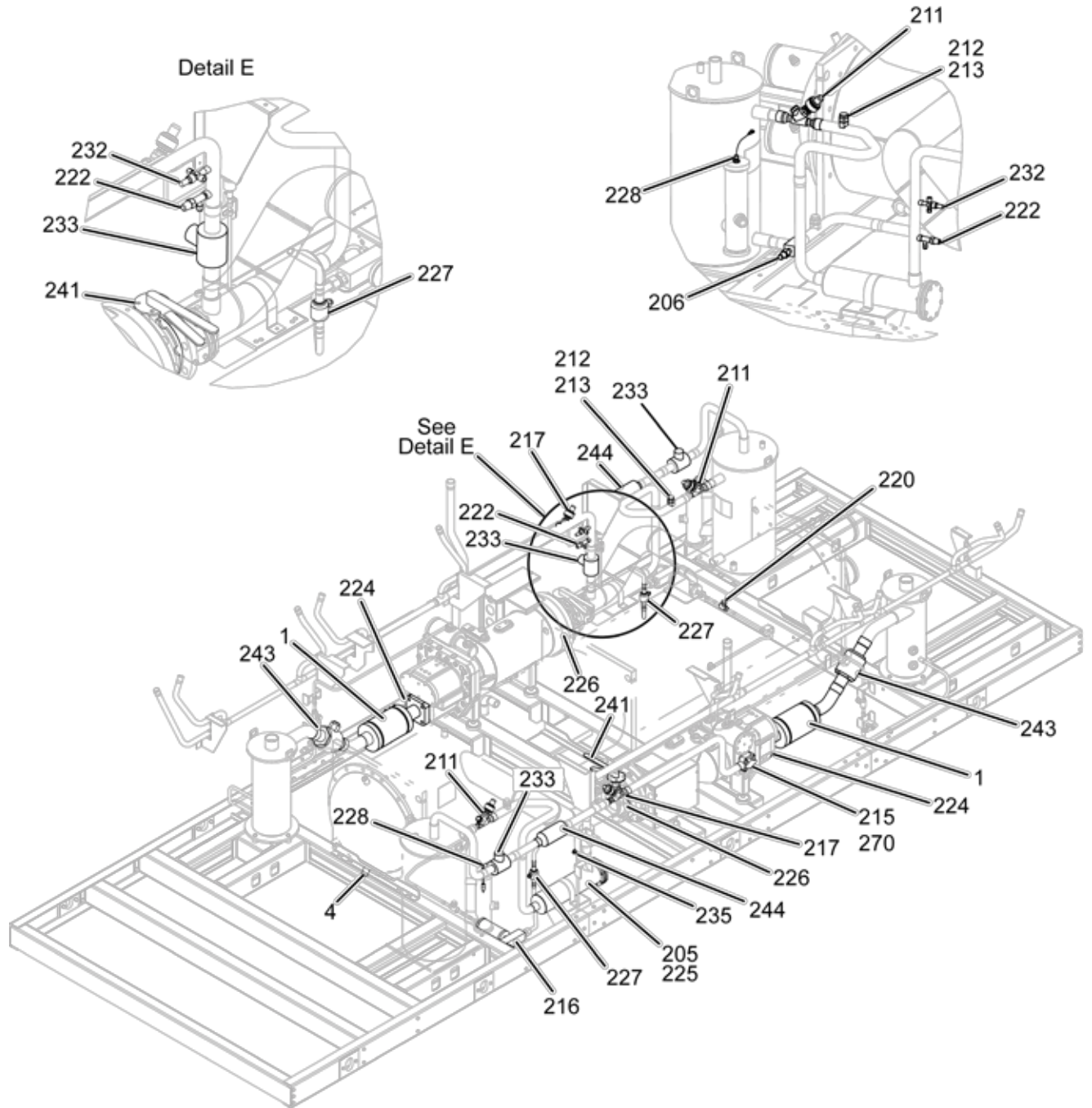


FIGURE 22 - PIPING ASSEMBLY 0153 / 0543

LD17331

**TABLE 29 - PIPING ASSEMBLY 0165 / 0565**

ITEM	PIN 35 =	PIN 50 =	DESCRIPTION	PART NUMBER	SAP NUMBER	QTY	FIGURE
1	All	All	Muffler, Discharge	375-89871-000	549123	2	23
4	All	All	Kit, Evaporator Waterbox Drain	392-07157-000	900408	1	23
205	All	All	Dehydrator, Less Cores	026-16960-000	740681	2	23
206	All	All	Valve	022-09779-000	731283	2	23
211	All	All	Valve, Expansion Electronic	025-41565-000	346234	2	23
212	All	All	Indicator Moist Liquid Body	026-32399-000	740784	4	23
213	All	All	Indicator Moist Liquid Cap	026-32800-000	740799	4	23
215	All	All	Valve, Angle Compr	022-11358-000	731384	2	23
216	All	All	Eductor Assembly	375-79597-000	549137	2	23
			Block, Oil Eductor	026-47323-000	994839	2	
			Filter Drier 3/8 Orfs	026-37563-000	740969	2	
			O-Ring Neo1 00.364id .070thk M	028-12961-012	618648	8	
			O-Ring Neo1 00.924id .116thk M	028-12961-006	588821	2	
			O-Ring Neo1 00.739id .070thk M	028-12961-015	618651	2	
217	All	All	Valve, Expansion Electronic	025-44027-000	740403	2	23
220	All	All	Valve, Ball, 1/2" OD (C X C)	022-09172-000	731238	2	23
222	All	All	Valve, Charging Brass	022-09754-000	391983	6	23
224	All	All	Gasket, Flange, 3" ID 5.75 BC	028-15296-001	742120	2	23
225	All	All	Ctg Dehy 100 Percent Molecular	026-37540-000	740964	6	23
226	X	All	Gasket, Round Flange, Ansi 300 #	028-15965-001	742176	2	23
227	F	All	Valve, Ball, 3/4" ODS	022-09580-000	48288	2	23
228	All	All	Switch, Liquid Level	025-43324-101	636214	2	23
232	All	All	Valve, Transducer, 1/4" NPTF 3/8" ODS 1/4" FI	022-12370-000	837987	2	23
233	All	All	Valve, Ball 1-5/8" ODS	022-08883-000	731236	2	23
235	All	All	Valve, Ball 3/8" ODS	022-11906-000	695896	2	23
241	F or S	All	Valve, Butterfly, Size 5	022-10641-005	147048	2	23
243	All	All	Valve, Shut-Off Ball	022-11326-000	731365	2	23
244	All	All	Valve, Check, 1-5/8"	022-12037-000	577074	2	23
270	All	All	Plug, Pipe, 1/4" NPTE Square	023-01195-000	711235	2	23

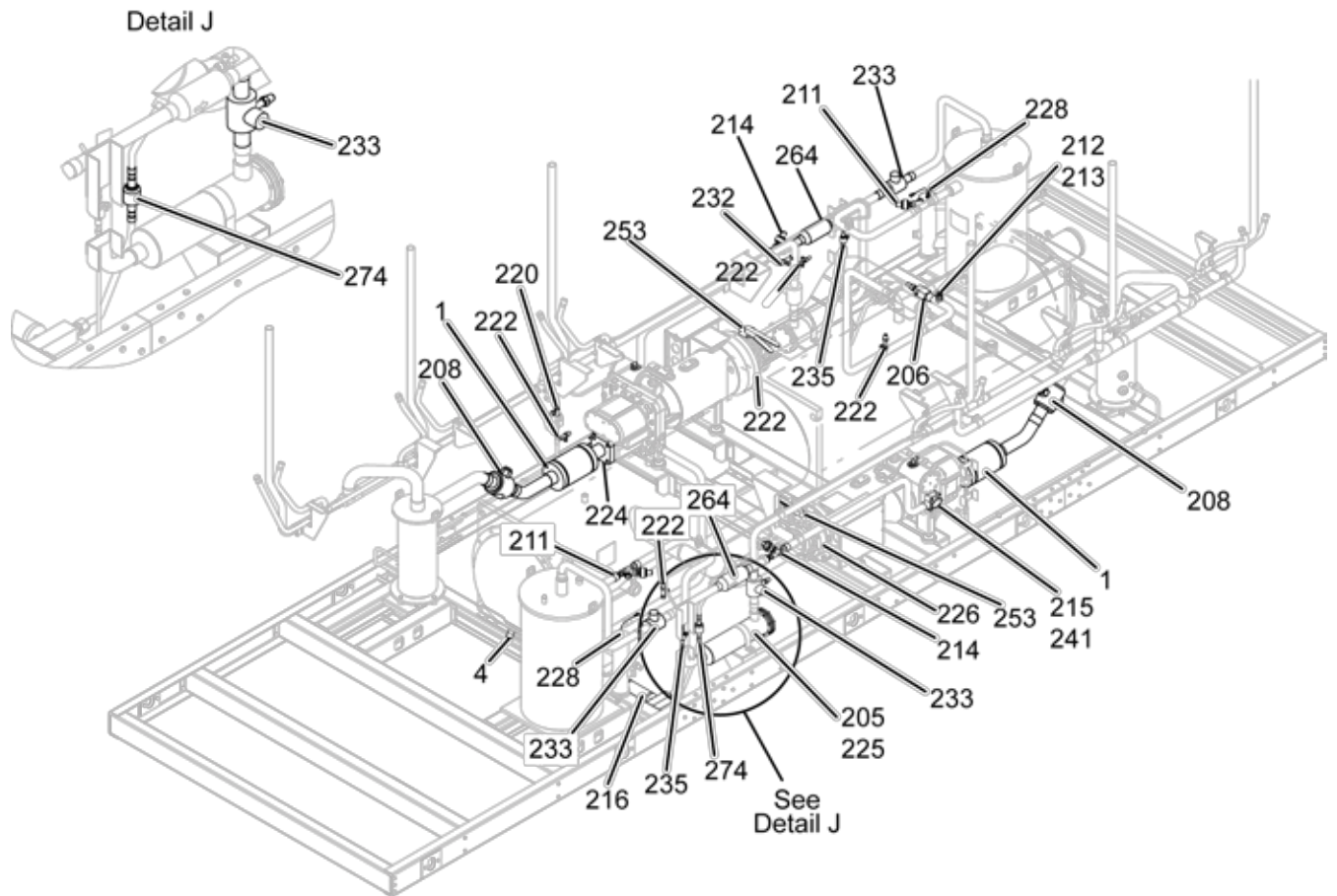


LD17332

FIGURE 23 - PIPING ASSEMBLY 0165 / 0565

**TABLE 30 - PIPING ASSEMBLY 0178 / 0588**

ITEM	PIN 35 =	PIN 50 =	DESCRIPTION	PART NUMBER	SAP NUMBER	QTY	FIGURE
1	All	All	Muffler, Discharge	375-89871-000	549123	2	24
4	All	All	Kit, Evaporator Waterbox Drain	392-07157-000	900408	1	24
205	All	All	Dehydrator, Less Cores	026-16960-000	740681	2	24
206	All	All	Valve	022-09779-000	731283	2	24
208	All	All	Valve, Shut-Off Ball	022-11326-000	731365	2	24
211	All	All	Valve, Expansion Electronic	025-41565-000	346234	2	24
212	All	All	Indicator Moist Liquid Body	026-32399-000	740784	4	24
213	All	All	Indicator Moist Liquid Cap	026-32800-000	740799	4	24
214	All	All	Valve, Expansion Electronic	025-44027-000	740403	2	24
215	All	All	Valve, Angle Compr	022-11358-000	731384	2	24
216	All	All	Eductor Assembly	375-79597-000	549137	2	24
			Block, Oil Eductor	026-47323-000	994839	2	
			Filter Drier 3/8 Orfs	026-37563-000	740969	2	
			O-Ring Neo1 00.364id .070thk M	028-12961-012	618648	8	
			O-Ring Neo1 00.924id .116thk M	028-12961-006	588821	2	
			O-Ring Neo1 00.739id .070thk M	028-12961-015	618651	2	
220	All	All	Valve, Expansion Electronic	025-44027-000	740403	2	24
222	All	All	Valve, Charging Brass	022-09754-000	391983	6	24
224	All	All	Gasket, Flange, 3" ID 5.75 BC	028-15296-001	742120	2	24
225	All	All	Ctg Dehy 100 Percent Molecular	026-37540-000	740964	6	24
226	X	All	Gasket, Round Flange, Ansi 300 #	028-15965-001	742176	2	24
228	All	All	Switch, Liquid Level	025-43324-101	636214	2	24
232	All	All	Valve, Transducer, 1/4" NPTF 3/8" ODS 1/4" FI	022-12370-000	837987	2	24
233	S or X F	All	Valve, Ball 1-5/8" ODS	022-08883-000	731236	2 4	24
235	All	All	Valve, Ball 3/8" ODS	022-11906-000	695896	2	24
241	All	All	Plug, Pipe, 1/4" NPTE Square	023-01195-000	711235	2	24
253	F or S	All	Valve, Butterfly, Size 5	022-10641-005	147048	2	24
264	All	All	Valve, Check, 1-5/8"	022-12037-000	577074	2	24
274	F	All	Valve, Ball, 3/4" ODS	022-09580-000	48288	2	24

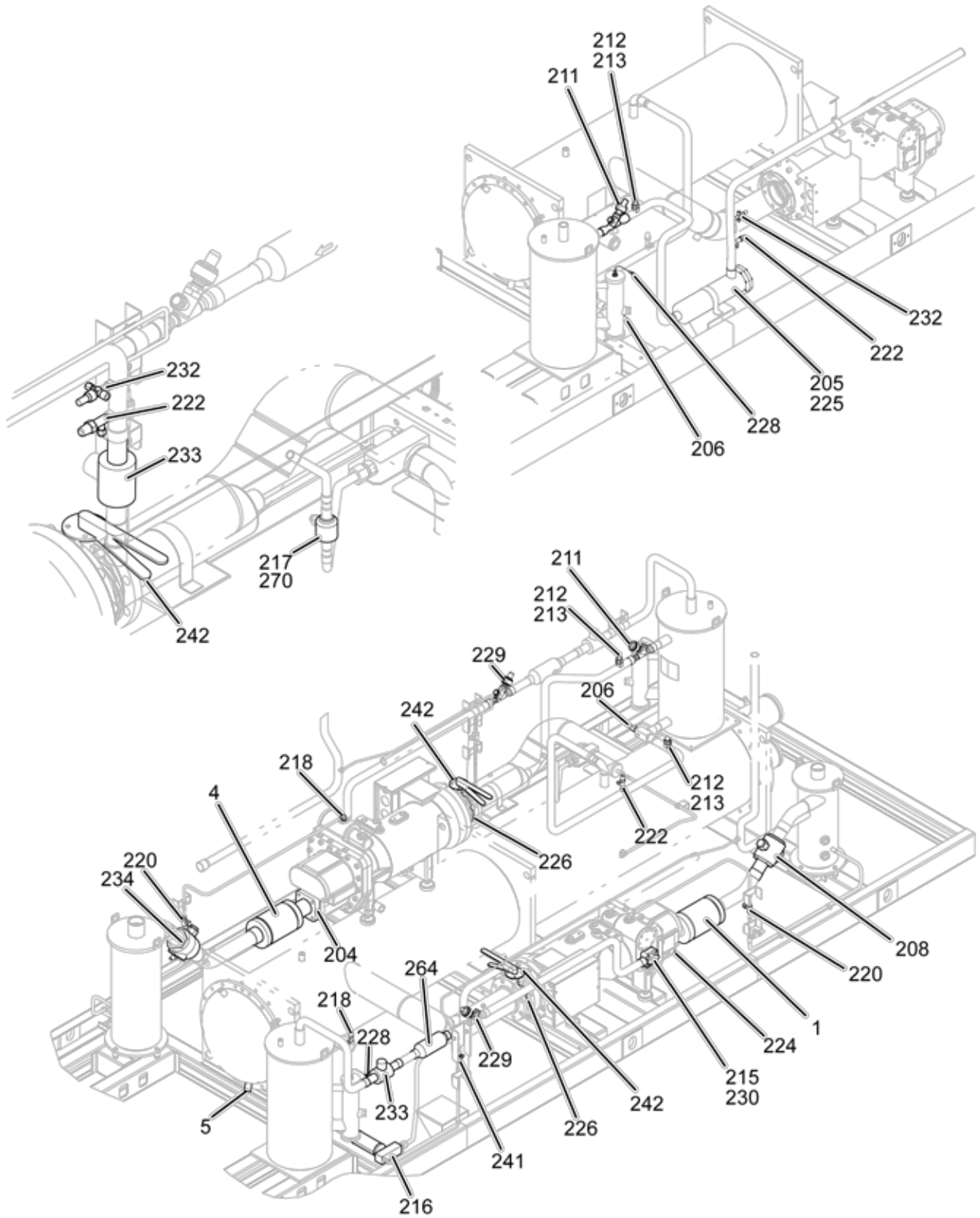


LD17333

FIGURE 24 - PIPING ASSEMBLY 0178 / 0588

**TABLE 31 - PIPING ASSEMBLY 0183 / 0643**

ITEM	PIN 35 =	PIN 50 =	DESCRIPTION	PART NUMBER	SAP NUMBER	QTY	FIGURE
1	All	All	Muffler, Discharge	375-89871-000	549123	1	25
4	All	All	Muffler	375-58655-000	577037	1	25
5	All	All	Kit, Evaporator Waterbox Drain	392-07157-000	900408	1	25
204	All	All	Gasket, Flange, 3-5/8" ID 5.75 Bc	028-15296-000	636248	1	25
205	All	All	Dehydrator Less Cores	026-16960-000	740681	2	25
206	All	All	Valve	022-09779-000	731283	2	25
208	All	All	Valve, Shut-Off Ball	022-11326-000	731365	1	25
211	All	All	Valve, Expansion Electronic	025-41565-000	346234	2	25
212	All	All	Indicator Moist Liquid Body	026-32399-000	740784	4	25
213	All	All	Indicator Moist Liquid Cap	026-32800-000	740799	4	25
215	All	All	Valve, Angle Compr	022-11358-000	731384	2	25
216	All	All	Eductor Assembly	375-79597-000	549137	2	25
			Block, Oil Eductor	026-47323-000	994839	2	
			Filter Drier 3/8 Orfs	026-37563-000	740969	2	
			O-Ring Neo1 00.364id .070thk M	028-12961-012	618648	8	
			O-Ring Neo1 00.924id .116thk M	028-12961-006	588821	2	
			O-Ring Neo1 00.739id .070thk M	028-12961-015	618651	2	
217	F	M or N	Valve, Ball, 3/4" ODS	022-09580-000	48288	2	25
218	All	All	Fitting, 37 Deg Flared Tube	023-18945-000	556321	4	25
220	All	All	Valve, Ball, 1/2 Od (C X C)	022-09172-000	731238	2	25
222	All	All	Valve, Charging Brass	022-09754-000	391983	6	25
224	All	All	Gasket, Flange, 3" ID 5.75 Bc	028-15296-001	742120	1	25
225	All	All	Ctg Dehy 100 Percent Molecular	026-37540-000	740964	6	25
226	X	All	Gasket, Round Flange, Ansi 300 #	028-15965-001	742176	2	25
228	All	All	Switch, Liquid Level	025-43324-101	636214	2	25
229	All	All	Valve, Expansion Electronic	025-44027-000	740403	2	25
230	All	All	Plug, Pipe, 1/4" NPTE Square	023-01195-000	711235	2	25
232	All	All	Valve, Transducer, 1/4" NPTF 3/8" ODS 1/4" FI	022-12370-000	837987	2	25
233	All	All	Valve, Ball, 1-5/8" ODS Conn	022-08883-000	731236	2	25
234	All	All	Valve, Shut-Off Ball	022-11325-000	444576	1	25
241	All	All	Valve, Ball, 3/8" ODS Conn	022-11906-000	695896	2	25
242	F or S	All	Valve, Butterfly, Size 5	022-10641-005	147048	2	25
264	All	All	Valve, Check, 1-5/8"	022-12037-000	577074	2	25
270	F	A, B, C, E or P	Valve, Ball, 3/4" ODS	022-09580-000	48288	2	25

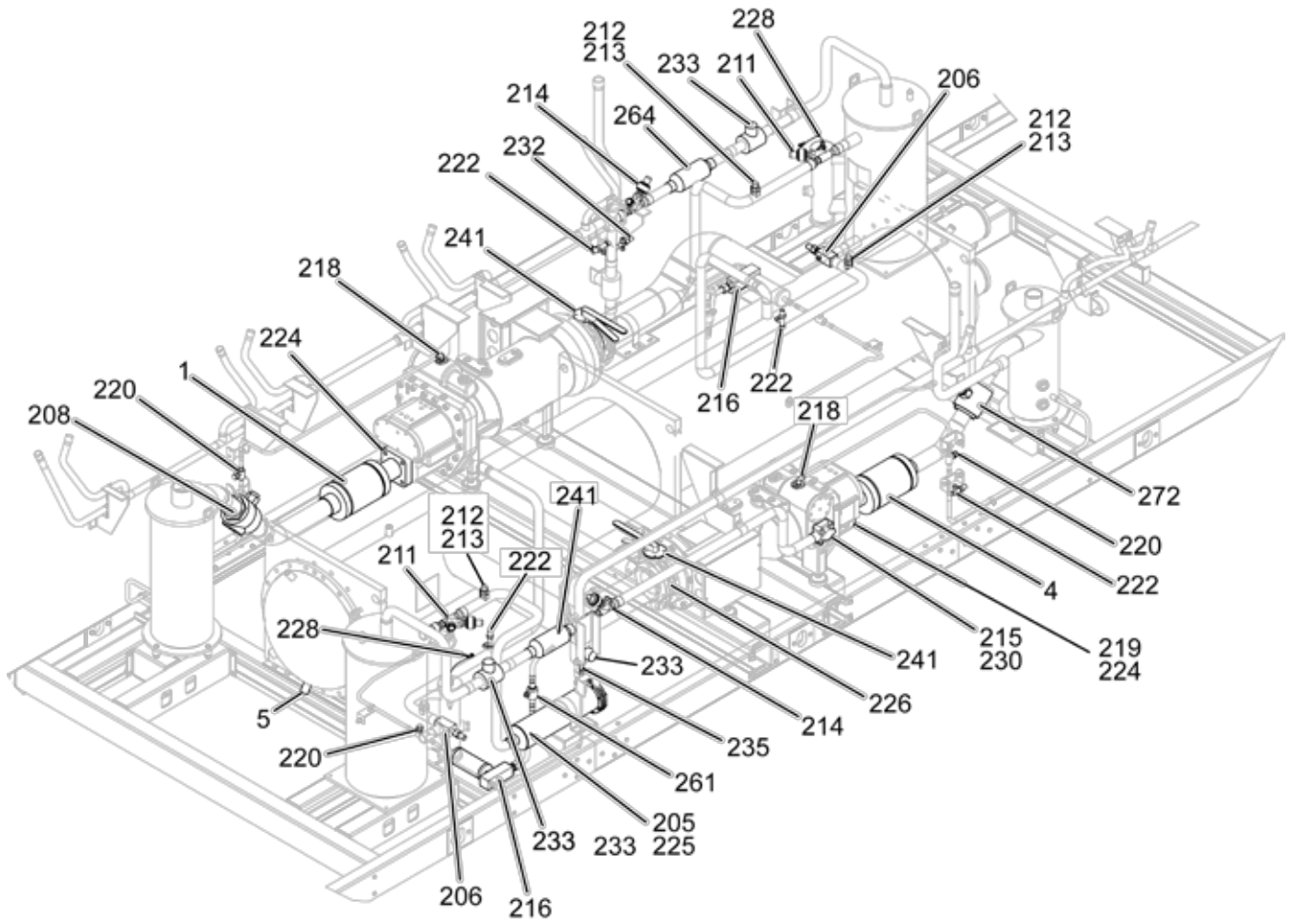


LD17334

**FIGURE 25 - PIPING ASSEMBLY 0183 / 0643**

**TABLE 32 - PIPING ASSEMBLY 0195 / 0665**

ITEM	PIN 35 =	PIN 50 =	DESCRIPTION	PART NUMBER	SAP NUMBER	QTY	FIGURE
1	All	All	Muffler	375-58655-000	577037	1	26
4	All	All	Muffler, Discharge	375-89871-000	549123	1	26
5	All	All	Kit, Evaporator Waterbox Drain	392-07157-000	900408	1	26
205	All	All	Dehydrator Less Cores	026-16960-000	740681	2	26
206	All	All	Valve	022-09779-000	731283	2	26
208	All	All	Valve, Shut-Off Ball	022-11325-000	444576	1	26
211	All	All	Valve, Expansion Electronic	025-41565-000	346234	2	26
212	All	All	Indicator Moist Liquid Body	026-32399-000	740784	4	26
213	All	All	Indicator Moist Liquid Cap	026-32800-000	740799	4	26
214	All	All	Valve, Expansion Electronic	025-44027-000	740403	2	26
215	All	All	Valve, Angle Compr	022-11358-000	731384	2	26
216	All	All	Eductor Assembly	375-79597-000	549137	2	26
			Block, Oil Eductor	026-47323-000	994839	2	
			Filter Drier 3/8 Orfs	026-37563-000	740969	2	
			O-Ring Neo1 00.364id .070thk M	028-12961-012	618648	8	
			O-Ring Neo1 00.924id .116thk M	028-12961-006	588821	2	
			O-Ring Neo1 00.739id .070thk M	028-12961-015	618651	2	
218	All	All	Fitting, 37 Deg Flared Tube	023-18945-000	556321	4	26
219	All	All	Gasket, Flange, 3" ID 5.75 Bc	028-15296-001	742120	1	26
220	S or X	All	Valve, Ball, 1/2" OD (C X C)	022-09172-000	731238	2	26
	F					4	
222	All	All	Valve, Charging Brass	022-09754-000	391983	6	26
224	All	All	Gasket, Flange, 3-5/8" ID 5.75 Bc	028-15296-000	636248	1	26
225	All	All	Ctg Dehy 100 Percent Molecular	026-37540-000	740964	6	26
226	X	All	Gasket, Flange, 3" ID 5.75 Bc	028-15965-001	742176	2	26
	S					4	
228	All	All	Switch, Liquid Level	025-43324-101	636214	2	26
230	All	All	Plug, Pipe, 1/4" NPTE Square	023-01195-000	711235	2	26
232	All	All	Valve, Transducer, 1/4" NPTF 3/8" ODS 1/4" FI	022-12370-000	837987	2	26
233	S or X	All	Valve, Ball, 1-5/8" ODS Conn	022-08883-000	731236	2	26
	F					4	
235	All	All	Valve, Butterfly, Size 5	022-11906-000	695896	2	26
241	F or S	All	Valve, Butterfly, Size 5	022-10641-005	147048	2	26
261	F	All	Valve, Ball, 3/4" ODS	022-09580-000	48288	2	26
264	All	All	Valve, Check, 1-5/8"	022-12037-000	577074	2	26
272	All	All	Valve, Shut-Off Ball	022-11326-000	731365	1	26

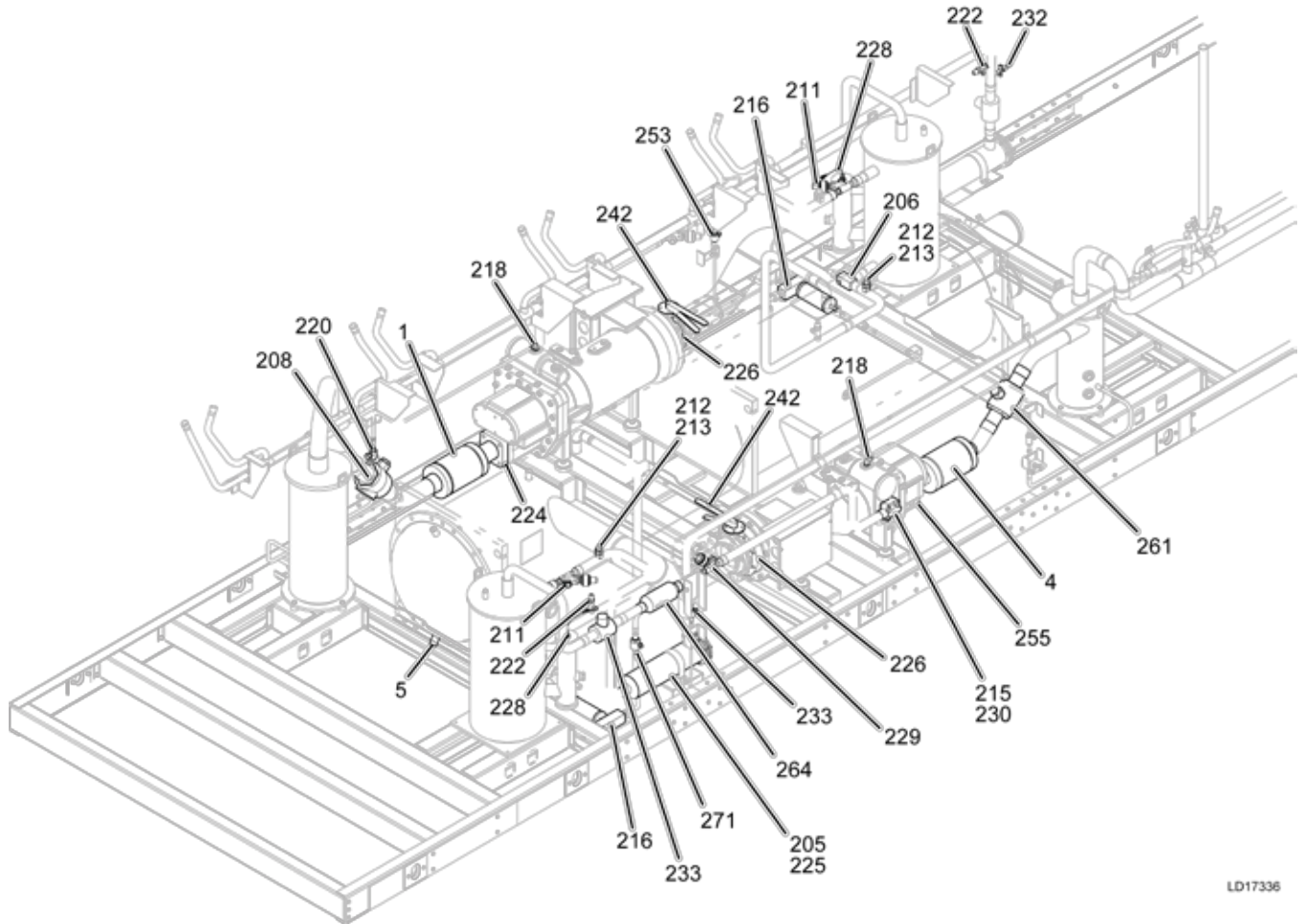


LD17335

FIGURE 26 - PIPING ASSEMBLY 0195 / 0665

**TABLE 33 - PIPING ASSEMBLY 0198 / 0688**

ITEM	PIN 35 =	PIN 50 =	DESCRIPTION	PART NUMBER	SAP NUMBER	QTY	FIGURE
1	All	All	Muffler	375-58655-000	577037	1	27
4	All	All	Muffler, Discharge	375-89871-000	549123	1	27
5	All	All	Kit, Evaporator Waterbox Drain	392-07157-000	900408	1	27
205	All	All	Dehydrator Less Cores	026-16960-000	740681	2	27
206	All	All	Valve	022-09779-000	731283	2	27
208	All	All	Valve, Shut-Off Ball	022-11325-000	444576	1	27
211	All	All	Valve, Expansion Electronic	025-41565-000	346234	2	27
212	All	All	Indicator Moist Liquid Body	026-32399-000	740784	4	27
213	All	All	Indicator Moist Liquid Cap	026-32800-000	740799	4	27
215	All	All	Valve, Angle Compr	022-11358-000	731384	2	27
216	All	All	Eductor Assembly	375-79597-000	549137	2	27
			Block, Oil Eductor	026-47323-000	994839	2	
			Filter Drier 3/8 Orfs	026-37563-000	740969	2	
			O-Ring Neo1 00.364id .070thk M	028-12961-012	618648	8	
			O-Ring Neo1 00.924id .116thk M	028-12961-006	588821	2	
			O-Ring Neo1 00.739id .070thk M	028-12961-015	618651	2	
218	All	All	Fitting, 37 Deg Flared Tube	023-18945-000	556321	4	27
220	S or X	All	Valve, Ball, 1/2" OD (C X C)	022-09172-000	731238	2	27
	F					4	
222	All	All	Valve, Charging Brass	022-09754-000	391983	6	27
224	All	All	Gasket, Flange, 3-5/8" ID 5.75 Bc	028-15296-000	636248	1	27
225	All	All	Ctg Dehy 100 Percent Molecular	026-37540-000	740964	6	27
226	X	All	Gasket, Round Flange, ANSI 300 #	028-15965-001	742176	2	27
228	All	All	Switch, Liquid Level	025-43324-101	636214	2	27
229	All	All	Valve, Expansion Electronic	025-44027-000	740403	2	27
230	All	All	Plug, Pipe, 1/4" NPTE Square	023-01195-000	711235	2	27
232	All	All	Valve, Transducer, 1/4" NPTF 3/8" ODS 1/4" FI	022-12370-000	837987	2	27
233	S or X	All	Valve, Ball, 1-5/8" ODS Conn	022-08883-000	731236	2	27
	F					4	
242	F or S	All	Valve, Butterfly, Size 5	022-10641-005	147048	2	27
253	All	All	Valve, Ball, 3/8" ODS Conn	022-11906-000	695896	2	27
255	All	All	Gasket, Flange, 3" ID 5.75 Bc	028-15296-001	742120	1	27
261	All	All	Valve, Shut-Off Ball	022-11326-000	731365	1	27
264	All	All	Valve, Check, 1-5/8"	022-12037-000	577074	2	27
271	F	All	Valve, Ball, 3/4" ODS	022-09580-000	48288	2	27

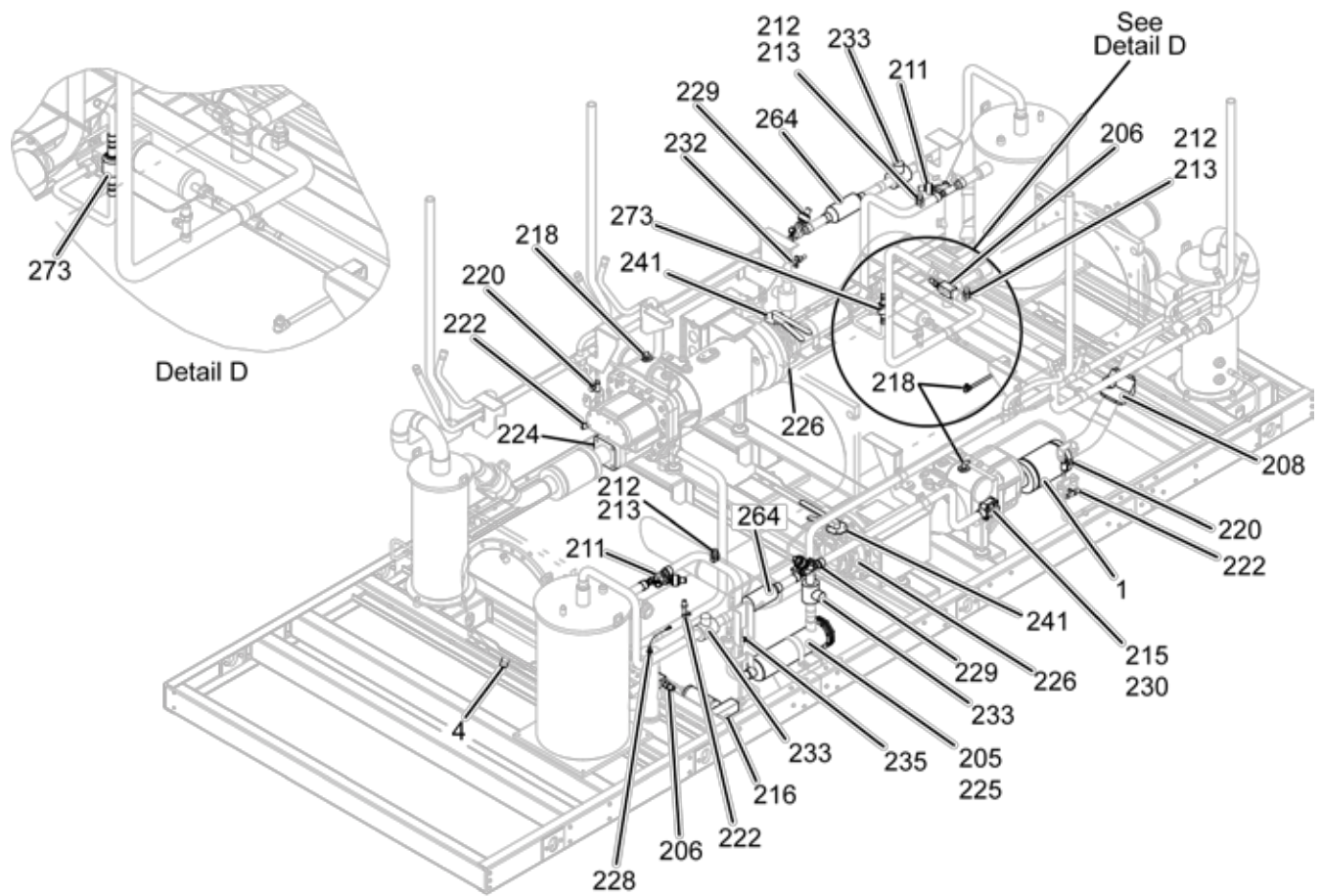


LD17336

**FIGURE 27 - PIPING ASSEMBLY 0198 / 0688**

**TABLE 34 - PIPING ASSEMBLY 0200 / 0700**

ITEM	PIN 35 =	PIN 50 =	DESCRIPTION	PART NUMBER	SAP NUMBER	QTY	FIGURE
1	All	All	Muffler	375-58655-000	577037	2	28
4	All	All	Kit, Evaporator Waterbox Drain	392-07157-000	900408	1	28
205	All	All	Dehydrator Less Cores	026-16960-000	740681	2	28
206	All	All	Valve	022-09779-000	731283	2	28
208	All	All	Valve, Shut-Off Ball	022-11325-000	444576	2	28
211	All	All	Valve, Expansion Electronic	025-41565-000	346234	2	28
212	All	All	Indicator Moist Liquid Body	026-32399-000	740784	4	28
213	All	All	Indicator Moist Liquid Cap	026-32800-000	740799	4	28
215	All	All	Valve, Angle Compr	022-11358-000	731384	2	28
216	All	All	Eductor Assembly	375-79597-000	549137	2	28
			Block, Oil Eductor	026-47323-000	994839	2	
			Filter Drier 3/8 Orfs	026-37563-000	740969	2	
			O-Ring Neo1 00.364id .070thk M	028-12961-012	618648	8	
			O-Ring Neo1 00.924id .116thk M	028-12961-006	588821	2	
			O-Ring Neo1 00.739id .070thk M	028-12961-015	618651	2	
218	All	M or N A, B, C, E or P	Fitting, 37 Deg Flared Tube	023-18945-000	556321	4 6	28
220	S or X F	All	Valve, Ball, 1/2" OD (C X C)	022-09172-000	731238	2 4	28
222	All	All	Valve, Charging Brass	022-09754-000	391983	6	28
224	All	All	Gasket, Flange, 3-5/8" ID 5.75 Bc	028-15296-000	636248	2	28
225	All	All	Ctg Dehy 100 Percent Molecular	026-37540-000	740964	6	28
226	X	All	Gasket, Round Flange, ANSI 300 #	028-15965-001	742176	2	28
228	All	All	Switch, Liquid Level	025-43324-101	636214	2	28
229	All	All	Valve, Expansion Electronic	025-44027-000	740403	2	28
230	All	All	Plug, Pipe, 1/4" NPTE Square	023-01195-000	711235	2	28
232	All	All	Valve, Transducer, 1/4" NPTF 3/8" ODS 1/4" FI	022-12370-000	837987	2	28
233	S or X F	All	Valve, Ball, 1-5/8" ODS Conn	022-08883-000	731236	2 4	28
235	All	All	Valve, Ball, 3/8" ODS Conn	022-11906-000	695896	2	28
241	F or S	All	Valve, Butterfly, Size 5	022-10641-005	147048	2	28
264	All	All	Valve, Check, 1-5/8"	022-12037-000	577074	2	28
273	F	M or N	Valve, Ball, 3/4" ODS	022-09580-000	48288	2	28



LD17337

FIGURE 28 - PIPING ASSEMBLY 0200 / 0700

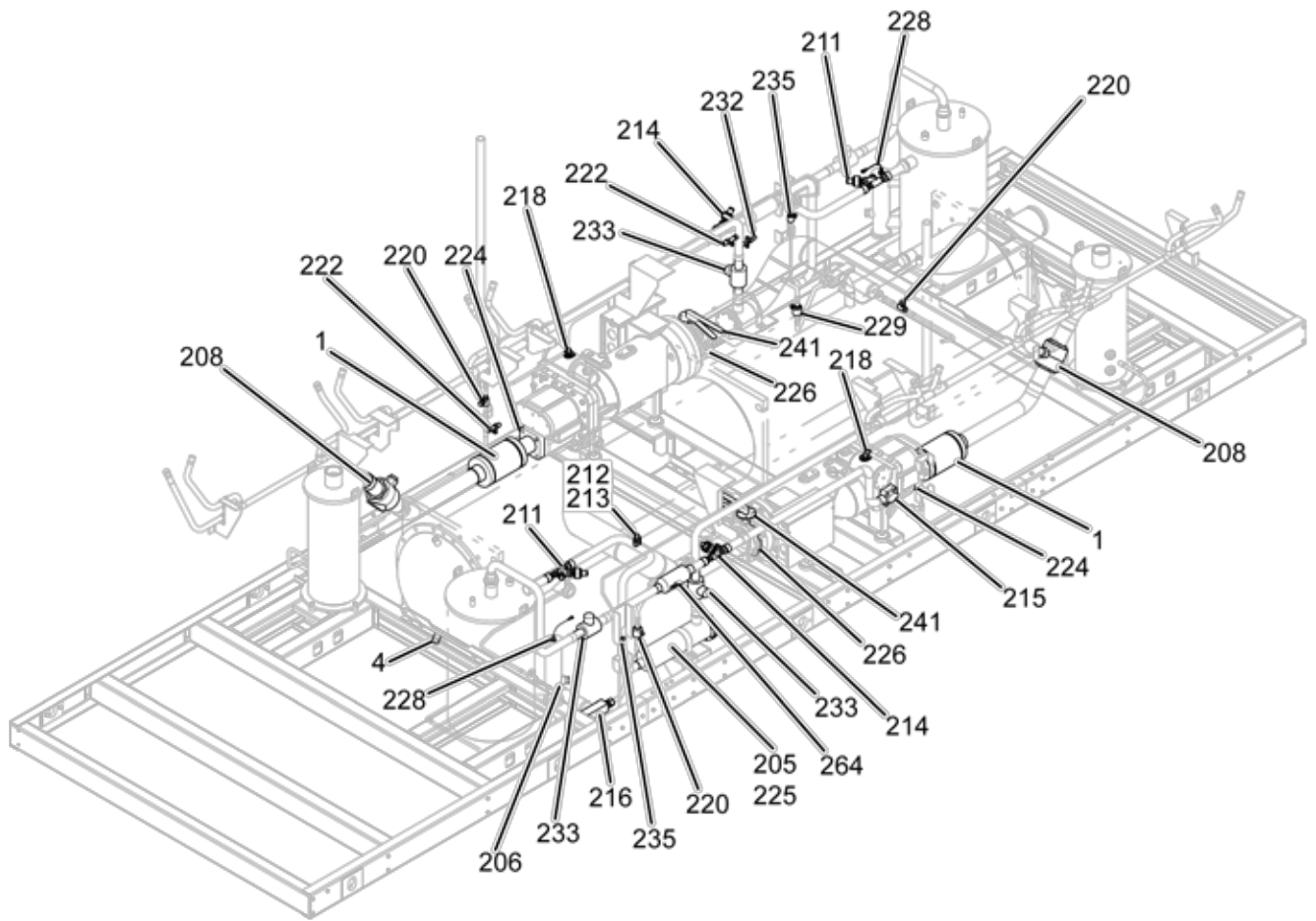
**TABLE 35 - PIPING ASSEMBLY 0213 / 0743**

ITEM	PIN 35 =	PIN 50 =	DESCRIPTION	PART NUMBER	SAP NUMBER	QTY	FIGURE
1	All	All	Muffler	375-58655-000	577037	2	29
4	All	All	Kit, Evaporator Waterbox Drain	392-07157-000	900408	1	29
205	All	All	Dehydrator Less Cores	026-16960-000	740681	2	29
206	All	All	Valve	022-09779-000	731283	2	29
208	All	All	Valve, Shut-Off Ball	022-11325-000	444576	2	29
210	F	All	Valve, Ball, 3/4" ODS	022-09580-000	48288	2	29
211	All	All	Valve, Expansion Electronic	025-41565-000	346234	2	29
212	All	All	Indicator Moist Liquid Body	026-32399-000	740784	4	29
213	All	All	Indicator Moist Liquid Cap	026-32800-000	740799	4	29
214	All	All	Valve, Expansion Electronic	025-44027-000	740403	2	29
215	All	All	Valve, Angle Compr	022-11358-000	731384	2	29
216	All	All	Eductor Assembly	375-79597-000	549137	2	29
			Block, Oil Eductor	026-47323-000	994839	2	
			Filter Drier 3/8 Orfs	026-37563-000	740969	2	
			O-Ring Neo1 00.364id .070thk M	028-12961-012	618648	8	
			O-Ring Neo1 00.924id .116thk M	028-12961-006	588821	2	
			O-Ring Neo1 00.739id .070thk M	028-12961-015	618651	2	
218	All	A, B, C, E or P M or N	Fitting, 37 Deg Flared Tube	023-18945-000	556321	6 4	29
220	F S or X	All	Valve, Ball, 1/2" OD (C X C)	022-09172-000	731238	4 2	29
222	All	All	Valve, Charging Brass	022-09754-000	391983	6	29
224	All	All	Gasket, Flange, 3-5/8" ID 5.75 Bc	028-15296-000	636248	2	29
225	All	All	Ctg Dehy 100 Percent Molecular	026-37540-000	740964	6	29
226	All X	M or N A, B, C, E or P	Gasket, Round Flange, ANSI 300 #	028-15965-001	742176	2	29
228	All	All	Switch, Liquid Level	025-43324-101	636214	2	29
230	All	All	Plug, Pipe, 1/4" NPTE Square	023-01195-000	711235	2	29
232	All	All	Valve, Transducer, 1/4" NPTF 3/8" ODS 1/4" FI	022-12370-000	837987	2	29
233	F S or X	All	Valve, Ball, 1-5/8" ODS Conn	022-08883-000	731236	4 2	29
235	All	All	Valve, Ball, 3/8" ODS Conn	022-11906-000	695896	2	29
241	F or S	All	Valve, Butterfly, Size 5	022-10641-005	147048	2	29
264	All	All	Valve, Check, 1-5/8"	022-12037-000	577074	2	29



**TABLE 36 - PIPING ASSEMBLY 0215 / 0765**

ITEM	PIN 35 =	PIN 50 =	DESCRIPTION	PART NUMBER	SAP NUMBER	QTY	FIGURE
1	All	All	Muffler	375-58655-000	577037	2	30
4	All	All	Kit, Evaporator Waterbox Drain	392-07157-000	900408	1	*
205	All	All	Dehydrator Less Cores	026-16960-000	740681	2	30
206	All	All	Valve	022-09779-000	731283	2	30
208	All	All	Valve, Shut-Off Ball	022-11325-000	444576	2	30
211	All	All	Valve, Expansion Electronic	025-41565-000	346234	2	30
212	All	All	Indicator Moist Liquid Body	026-32399-000	740784	4	30
213	All	All	Indicator Moist Liquid Cap	026-32800-000	740799	4	30
214	All	All	Valve, Expansion Electronic	025-44027-000	740403	2	30
215	All	All	Valve, Angle Compr	022-11358-000	731384	2	30
216	All	All	Eductor Assembly	375-79597-000	549137	2	30
			Block, Oil Eductor	026-47323-000	994839	2	
			Filter Drier 3/8 Orfs	026-37563-000	740969	2	
			O-Ring Neo1 00.364id .070thk M	028-12961-012	618648	8	
			O-Ring Neo1 00.924id .116thk M	028-12961-006	588821	2	
			O-Ring Neo1 00.739id .070thk M	028-12961-015	618651	2	
218	All	All	Fitting, 37 Deg Flared Tube	023-18945-000	556321	4	30
220	F	All	Valve, Ball, 1/2" OD (C X C)	022-09172-000	731238	4	30
	S or X					2	
222	All	All	Valve, Charging Brass	022-09754-000	391983	6	30
224	All	All	Gasket, Flange, 3-5/8" ID 5.75 Bc	028-15296-000	636248	2	30
225	All	All	Ctg Dehy 100 Percent Molecular	026-37540-000	740964	6	30
226	S or X	All	Gasket, Round Flange, ANSI 300 #	028-15965-001	742176	2	30
228	All	All	Switch, Liquid Level	025-43324-101	636214	2	30
229	F	All	Valve, Ball, 3/4" ODS	022-09580-000	48288	2	30
232	All	All	Valve, Transducer, 1/4" NPTF 3/8" ODS 1/4" FI	022-12370-000	837987	2	30
233	F	All	Valve, Ball, 1-5/8" ODS Conn	022-08883-000	731236	4	30
	S or X					2	
235	All	All	Valve, Ball, 3/8" ODS Conn	022-11906-000	695896	2	30
241	F or S	All	Valve, Butterfly, Size 5	022-10641-005	147048	2	30
264	All	All	Valve, Check, 1-5/8"	022-12037-000	577074	2	30

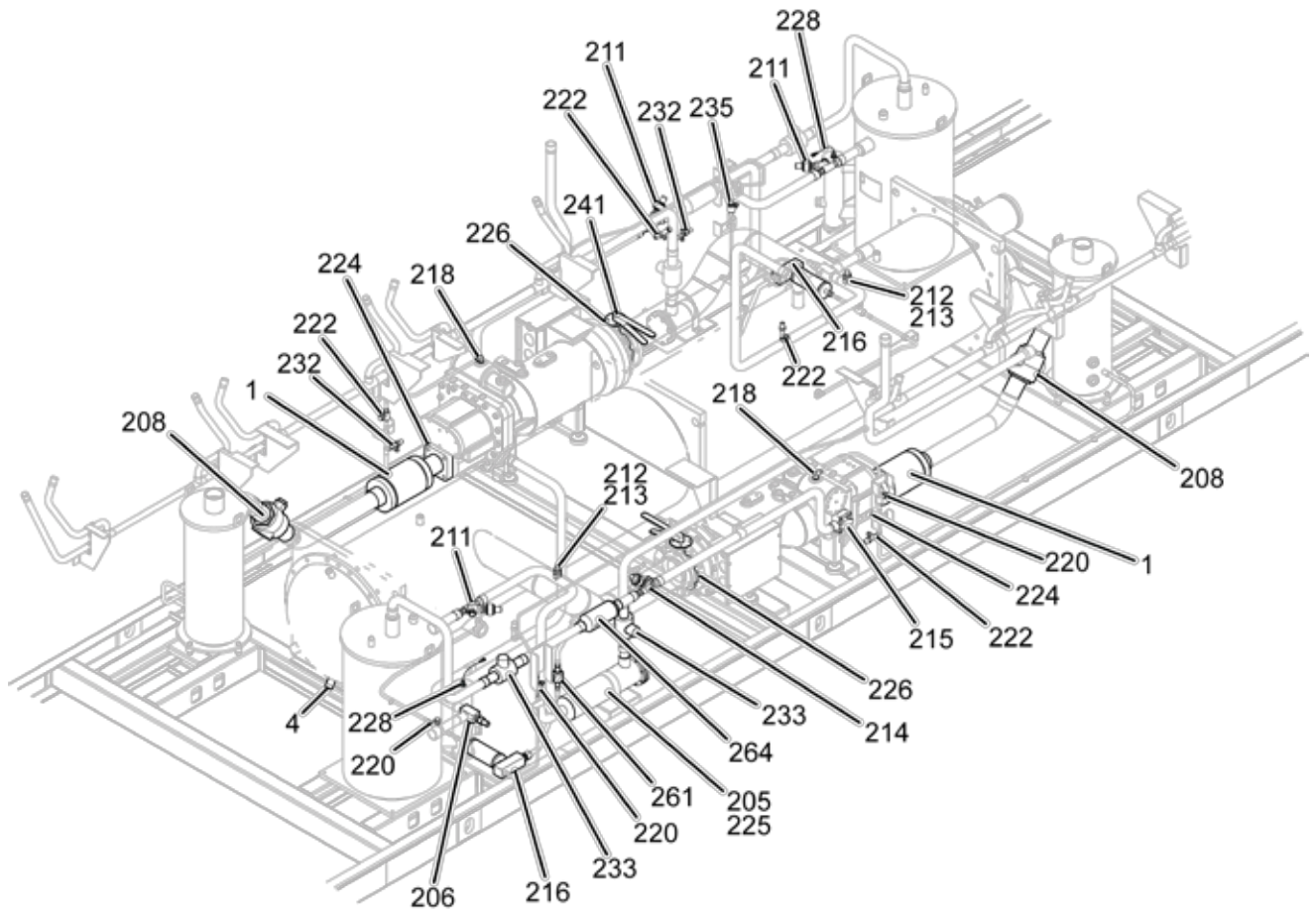


**FIGURE 30 - PIPING ASSEMBLY 0215 / 0765**

LD17336

**TABLE 37 - PIPING ASSEMBLY 0218 / 0788**

ITEM	PIN 35 =	PIN 50 =	DESCRIPTION	PART NUMBER	SAP NUMBER	QTY	FIGURE
1	All	All	Muffler	375-58655-000	577037	2	31
4	All	All	Kit, Evaporator Waterbox Drain	392-07157-000	900408	1	31
205	All	All	Dehydrator Less Cores	026-16960-000	740681	2	31
206	All	All	Valve	022-09779-000	731283	2	31
208	All	All	Valve, Shut-Off Ball	022-11325-000	444576	2	31
211	All	All	Valve, Expansion Electronic	025-41565-000	346234	2	31
212	All	All	Indicator Moist Liquid Body	026-32399-000	740784	4	31
213	All	All	Indicator Moist Liquid Cap	026-32800-000	740799	4	31
214	All	All	Valve, Expansion Electronic	025-44027-000	740403	2	31
215	All	All	Valve, Angle Compr	022-11358-000	731384	2	31
216	All	All	Eductor Assembly	375-79597-000	549137	2	31
			Block, Oil Eductor	026-47323-000	994839	2	
			Filter Drier 3/8 Orfs	026-37563-000	740969	2	
			O-Ring Neo1 00.364id .070thk M	028-12961-012	618648	8	
			O-Ring Neo1 00.924id .116thk M	028-12961-006	588821	2	
			O-Ring Neo1 00.739id .070thk M	028-12961-015	618651	2	
218	All	All	Fitting, 37 Deg Flared Tube	023-18945-000	556321	4	31
220	F	All	Valve, Ball, 1-5/8" ODS Conn	022-09172-000	731238	4	31
	S or X					2	
222	All	All	Valve, Charging Brass	022-09754-000	391983	6	31
224	All	All	Gasket, Flange, 3-5/8" ID 5.75 Bc	028-15296-000	636248	2	31
225	All	All	Ctg Dehy 100 Percent Molecular	026-37540-000	740964	6	31
226	S or X	All	Gasket, Round Flange, ANSI 300 #	028-15965-001	742176	2	31
228	All	All	Switch, Liquid Level	025-43324-101	636214	2	31
232	All	All	Valve, Transducer, 1/4" NPTF 3/8" ODS 1/4" FI	022-12370-000	837987	2	31
233	F	All	Valve, Ball, 1-5/8" ODS Conn	022-08883-000	731236	4	31
	S or X					2	
235	All	All	Valve, Ball, 3/8" ODS Conn	022-11906-000	695896	2	31
241	F or S	All	Valve, Butterfly, Size 5	022-10641-005	147048	2	31
261	F	All	Valve, Ball, 3/4" ODS	022-09580-000	48288	2	31
264	All	All	Valve, Check, 1-5/8"	022-12037-000	577074	2	31

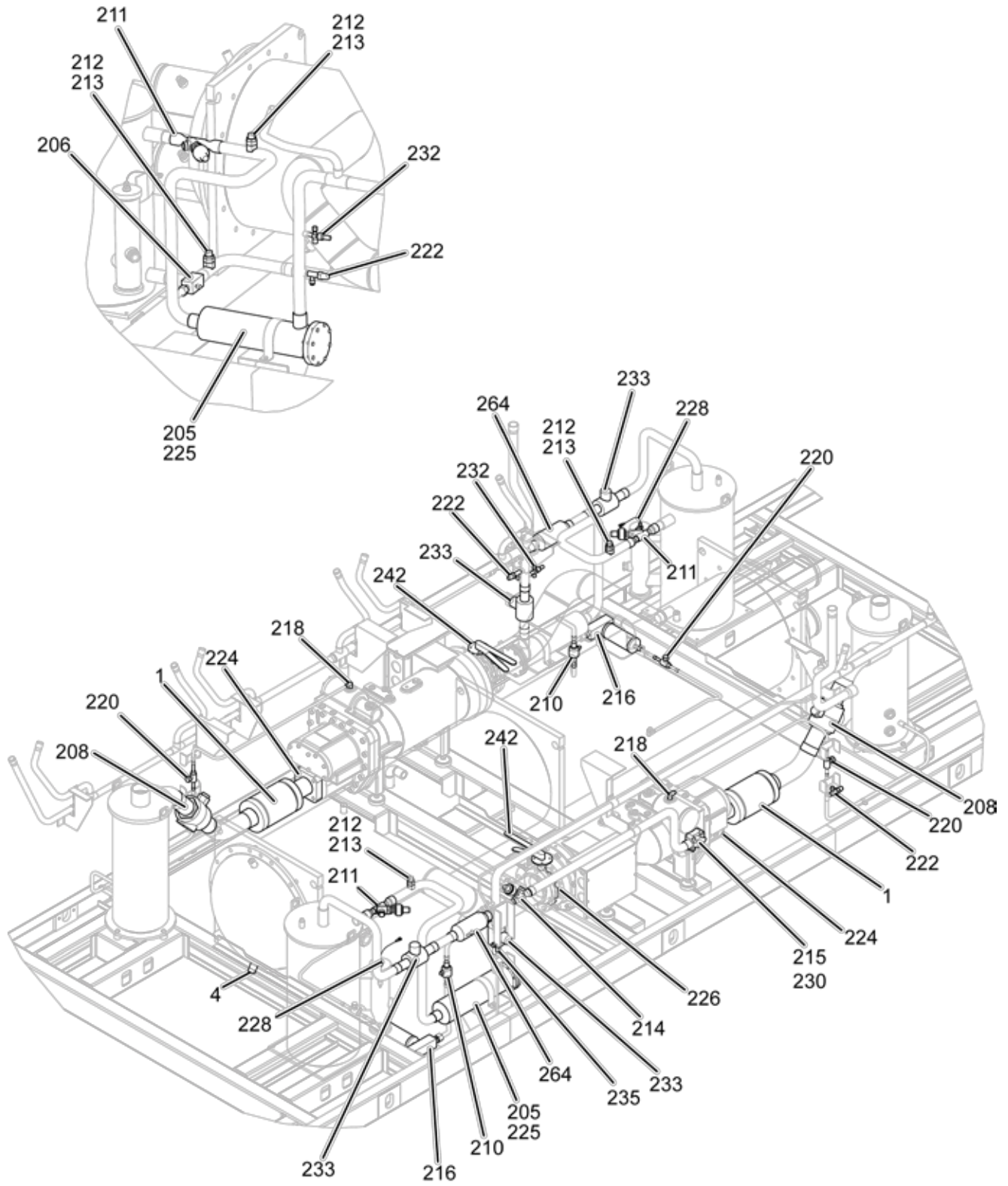


LD17340

**FIGURE 31 - PIPING ASSEMBLY 0218 / 0788**

**TABLE 38 - PIPING ASSEMBLY 0233 / 0843**

ITEM	PIN 35 =	PIN 50 =	DESCRIPTION	PART NUMBER	SAP NUMBER	QTY	FIGURE
1	All	All	Muffler	375-58655-000	577037	2	32
4	All	All	Kit, Evaporator Waterbox Drain	392-07157-000	900408	1	32
205	All	All	Dehydrator Less Cores	026-16960-000	740681	2	32
206	All	All	Valve	022-09779-000	731283	2	32
208	All	All	Valve, Shut-Off Ball	022-11325-000	444576	2	32
210	F	All	Valve, Ball, 3/4" ODS	022-09580-000	48288	2	32
211	All	All	Valve, Expansion Electronic	025-41565-000	346234	2	32
212	All	All	Indicator Moist Liquid Body	026-32399-000	740784	4	32
213	All	All	Indicator Moist Liquid Cap	026-32800-000	740799	4	32
214	All	All	Valve, Expansion Electronic	025-44027-000	740403	2	32
215	All	All	Valve, Angle Compr	022-11358-000	731384	2	32
216	All	All	Eductor Assembly	375-79597-000	549137	2	32
			Block, Oil Eductor	026-47323-000	994839	2	
			Filter Drier 3/8 Orfs	026-37563-000	740969	2	
			O-Ring Neo1 00.364id .070thk M	028-12961-012	618648	8	
			O-Ring Neo1 00.924id .116thk M	028-12961-006	588821	2	
			O-Ring Neo1 00.739id .070thk M	028-12961-015	618651	2	
218	All	A, B, C, E or P M or N	Fitting, 37 Deg Flared Tube	023-18945-000	556321	6 4	32
220	F S or X	All A, B, C, E or P	Valve, Ball, 1/2" OD (C X C)	022-09172-000	731238	4 2	32
222	All	All	Valve, Charging Brass	022-09754-000	391983	6	32
224	All	All	Gasket, Flange, 3-5/8" ID 5.75 Bc	028-15296-000	636248	2	32
225	All	All	Ctg Dehy 100 Percent Molecular	026-37540-000	740964	6	32
226	X	All	Gasket, Round Flange, ANSI 300 #	028-15965-001	742176	2	32
228	All	All	Switch, Liquid Level	025-43324-101	636214	2	32
230	All	A, B, C, E or P	Plug, Pipe, 1/4" NPTE Square	023-01195-000	711235	2	32
232	All	All	Valve, Transducer, 1/4" NPTF 3/8" ODS 1/4" FI	022-12370-000	837987	2	32
233	F S or X	All	Valve, Ball, 1-5/8" ODS Conn	022-08883-000	731236	4 2	32
235	All	All	Valve, Ball, 3/8" ODS Conn	022-11906-000	695896	2	32
242	F or S	All	Valve, Butterfly, Size 5	022-10641-005	147048	2	32
264	All	All	Valve, Check, 1-5/8"	022-12037-000	577074	2	32

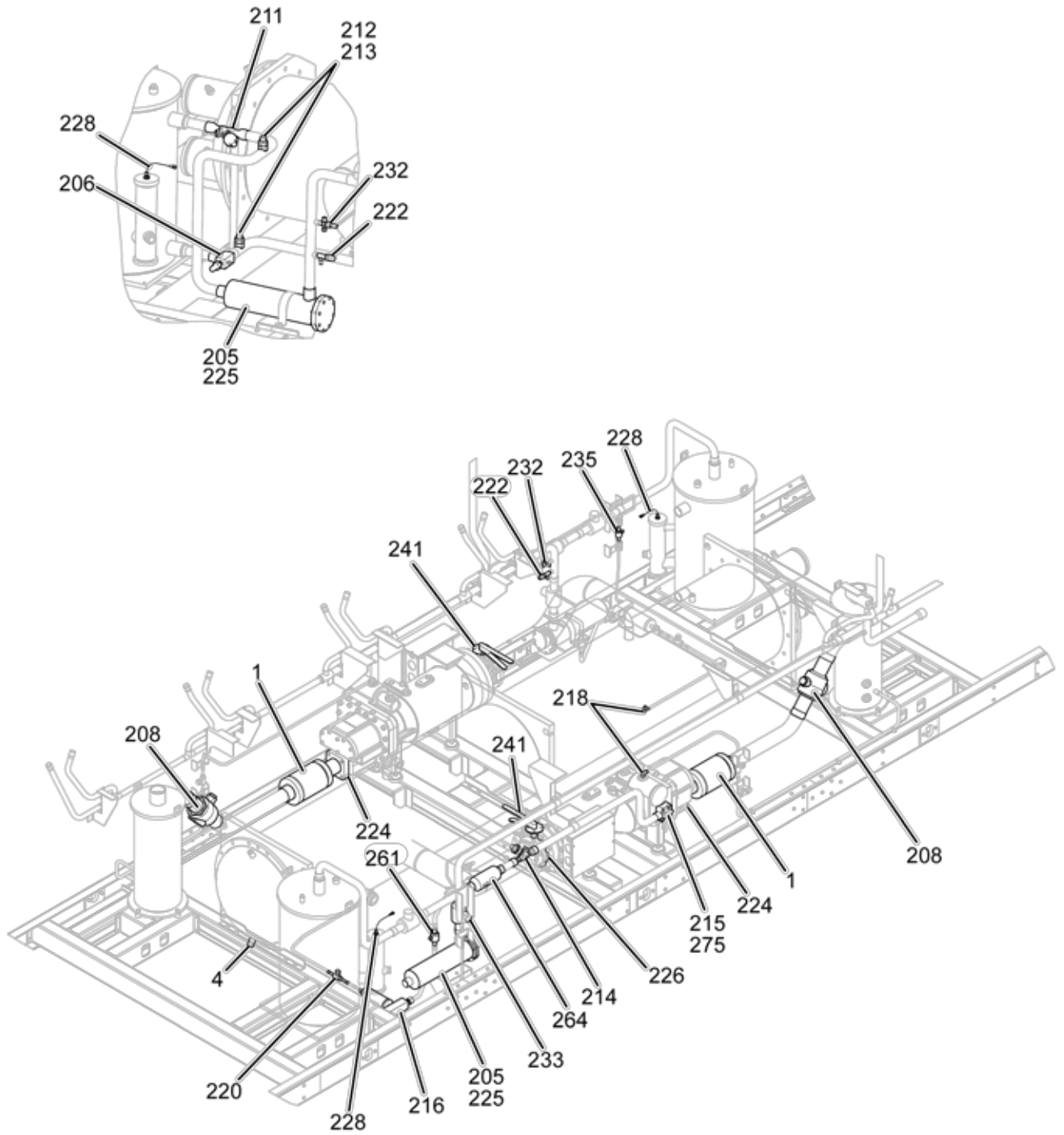


LD17341

FIGURE 32 - PIPING ASSEMBLY 0233 / 0843

**TABLE 39 - PIPING ASSEMBLY 0245 / 0865**

ITEM	PIN 35 =	PIN 50 =	DESCRIPTION	PART NUMBER	SAP NUMBER	QTY	FIGURE
1	All	All	Muffler	375-58655-000	577037	2	33
4	All	All	Kit, Evaporator Waterbox Drain	392-07157-000	900408	1	33
205	All	All	Dehydrator Less Cores	026-16960-000	740681	2	33
206	All	All	Valve	022-09779-000	731283	2	33
208	All	All	Valve, Shut-Off Ball	022-11325-000	444576	2	33
211	All	All	Valve, Expansion Electronic	025-41565-000	346234	2	33
212	All	All	Indicator Moist Liquid Body	026-32399-000	740784	4	33
213	All	All	Indicator Moist Liquid Cap	026-32800-000	740799	4	33
214	All	All	Valve, Expansion Electronic	025-44027-000	740403	2	33
215	All	All	Valve, Angle Compr	022-11358-000	731384	2	33
216	All	All	Eductor Assembly	375-79597-000	549137	2	33
			Block, Oil Eductor	026-47323-000	994839	2	
			Filter Drier 3/8 Orfs	026-37563-000	740969	2	
			O-Ring Neo1 00.364id .070thk M	028-12961-012	618648	8	
			O-Ring Neo1 00.924id .116thk M	028-12961-006	588821	2	
			O-Ring Neo1 00.739id .070thk M	028-12961-015	618651	2	
218	All	All	Fitting, 37 Deg Flared Tube	023-18945-000	556321	4	33
220	F	All	Valve, Ball, 1/2" OD (C X C)	022-09172-000	731238	4	33
	S or X					2	
222	All	All	Valve, Charging Brass	022-09754-000	391983	6	33
224	All	All	Gasket, Flange, 3-5/8" ID 5.75 BC	028-15296-000	636248	2	33
225	All	All	Ctg Dehy 100 Percent Molecular	026-37540-000	740964	6	33
226	X	All	Gasket, Round Flange, ANSI 300 #	028-15965-001	742176	2	33
228	All	All	Switch, Liquid Level	025-43324-101	636214	2	33
232	All	All	Valve, Transducer, 1/4" NPTF 3/8" ODS 1/4" FI	022-12370-000	837987	2	33
233	F	All	Valve, Ball, 1-5/8" ODS Conn	022-08883-000	731236	4	33
	S or X					2	
235	All	All	Valve, Ball, 3/8" ODS Conn	022-11906-000	695896	2	33
241	F or S	All	Valve, Butterfly, Size 5	022-10641-005	147048	2	33
261	F	All	Valve, Ball, 3/4" ODS	022-09580-000	48288	2	33
264	All	All	Valve, Check, 1-5/8"	022-12037-000	577074	2	33
275	All	All	Plug, Pipe, 1/4" NPTE Square	023-01195-000	711235	2	33

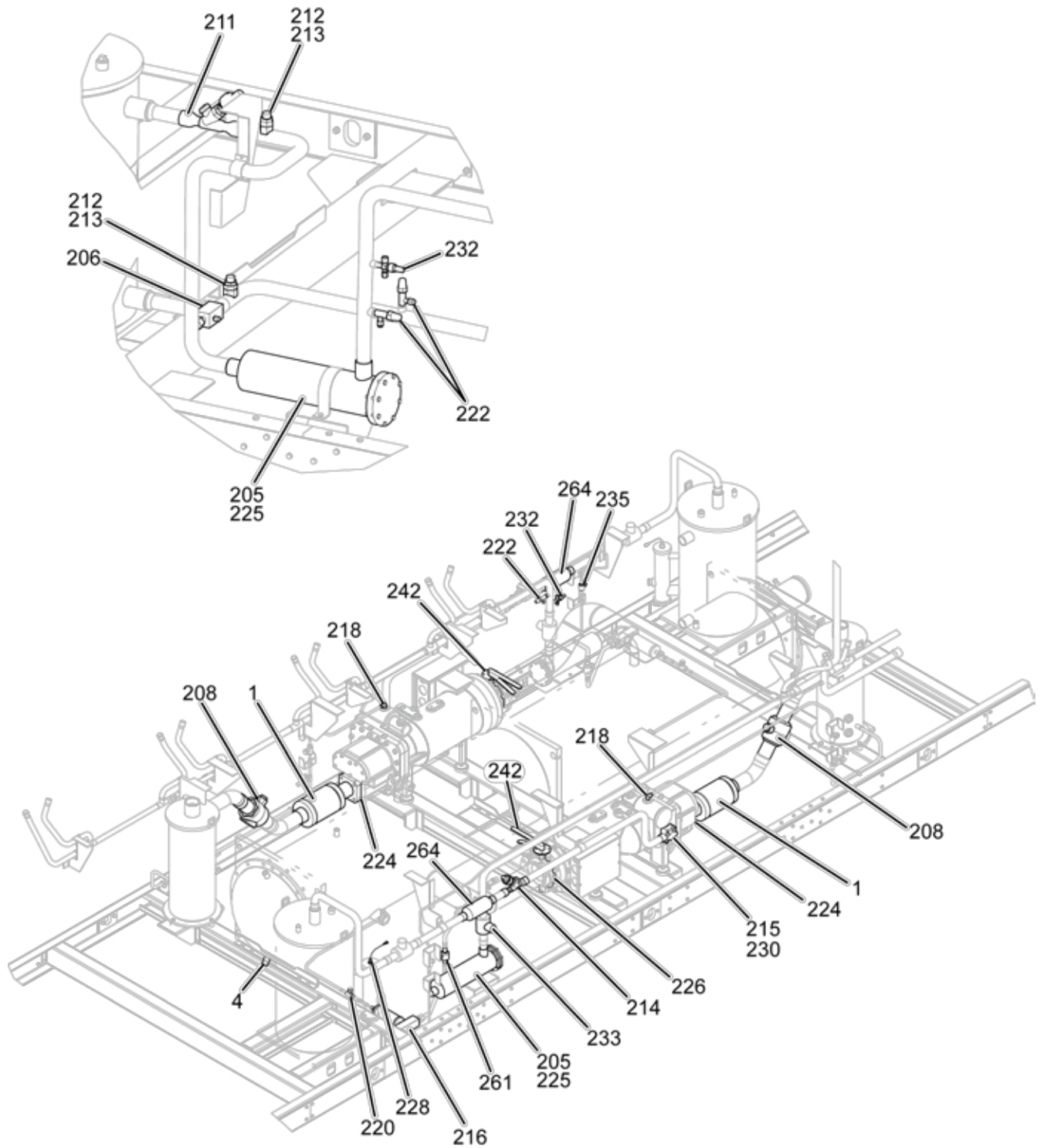


LD17342

**FIGURE 33 - PIPING ASSEMBLY 0245 / 0865**

**TABLE 40 - PIPING ASSEMBLY 0248 / 0888**

ITEM	PIN 35 =	PIN 50 =	DESCRIPTION	PART NUMBER	SAP NUMBER	QTY	FIGURE
1	All	All	Muffler	375-58655-000	577037	2	34
4	All	All	Kit, Evaporator Waterbox Drain	392-07157-000	900408	1	34
205	All	All	Dehydrator Less Cores	026-16960-000	740681	2	34
206	All	All	Valve	022-09779-000	731283	2	34
208	All	All	Valve, Shut-Off Ball	022-11325-000	444576	2	34
211	All	All	Valve, Expansion Electronic	025-41565-000	346234	2	34
212	All	All	Indicator Moist Liquid Body	026-32399-000	740784	4	34
213	All	All	Indicator Moist Liquid Cap	026-32800-000	740799	4	34
214	All	All	Valve, Expansion Electronic	025-44027-000	740403	2	34
215	All	All	Valve, Angle Compr	022-11358-000	731384	2	34
216	All	All	Eductor Assembly	375-79597-000	549137	2	34
			Block, Oil Eductor	026-47323-000	994839	2	
			Filter Drier 3/8 Orfs	026-37563-000	740969	2	
			O-Ring Neo1 00.364id .070thk M	028-12961-012	618648	8	
			O-Ring Neo1 00.924id .116thk M	028-12961-006	588821	2	
			O-Ring Neo1 00.739id .070thk M	028-12961-015	618651	2	
218	All	All	Fitting, 37 Deg Flared Tube	023-18945-000	556321	4	34
220	F	All	Valve, Ball, 1/2" OD (C X C)	022-09172-000	731238	4	34
	S or X					2	
222	All	All	Valve, Charging Brass	022-09754-000	391983	6	34
224	All	All	Gasket, Flange, 3-5/8" ID 5.75 BC	028-15296-000	636248	2	34
225	All	All	Ctg Dehy 100 Percent Molecular	026-37540-000	740964	6	34
226	X	All	Gasket, Round Flange, ANSI 300 #	028-15965-001	742176	2	34
228	All	All	Switch, Liquid Level	025-43324-101	636214	2	34
230	All	All	Plug, Pipe, 1/4" NPTE Square	023-01195-000	711235	2	34
232	All	All	Valve, Transducer, 1/4" NPTF 3/8" ODS 1/4" FI	022-12370-000	837987	2	34
233	F	All	Valve, Ball, 1-5/8" ODS Conn	022-08883-000	731236	4	34
	S or X					2	
235	All	All	Valve, Ball, 3/8" ODS Conn	022-11906-000	695896	2	34
242	F or S	All	Valve, Butterfly, Size 5	022-10641-005	147048	2	34
261	F	All	Valve, Ball, 3/4" ODS	022-09580-000	48288	2	34
264	All	All	Valve, Check, 1-5/8"	022-12037-000	577074	2	34

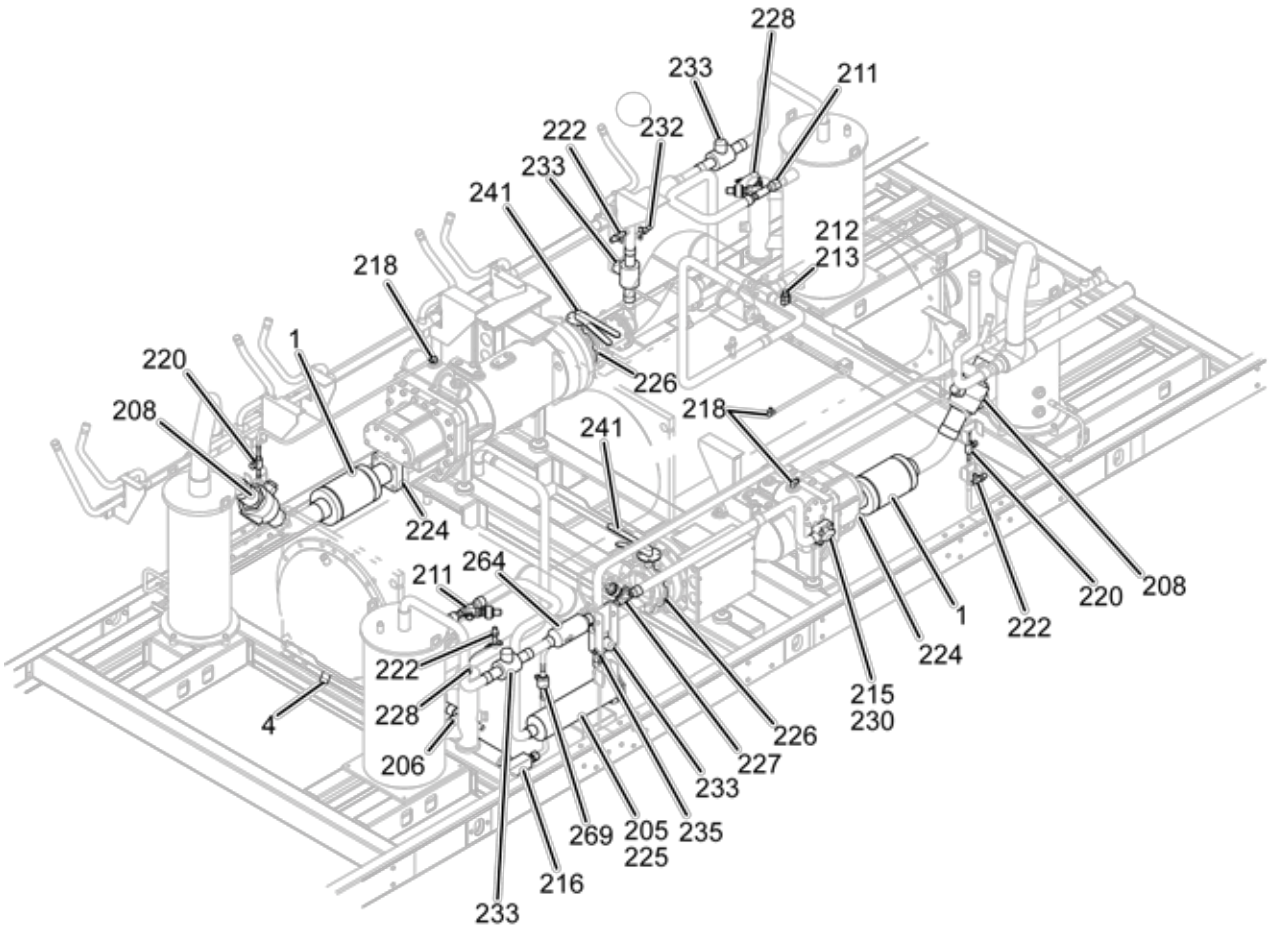


LD17343

**FIGURE 34 - PIPING ASSEMBLY 0248 / 0888**

**TABLE 41 - PIPING ASSEMBLY 0263 / 0943**

ITEM	PIN 35 =	PIN 50 =	DESCRIPTION	PART NUMBER	SAP NUMBER	QTY	FIGURE
1	All	All	Muffler	375-58655-000	577037	2	35
4	All	All	Kit, Evaporator Waterbox Drain	392-07157-000	900408	1	35
205	All	All	Dehydrator Less Cores	026-16960-000	740681	2	35
206	All	All	Valve	022-09779-000	731283	2	35
208	All	All	Valve, Shut-Off Ball	022-11325-000	444576	2	35
211	All	All	Valve, Expansion Electronic	025-41565-000	346234	2	5
212	All	All	Indicator Moist Liquid Body	026-32399-000	740784	4	35
213	All	All	Indicator Moist Liquid Cap	026-32800-000	740799	4	35
215	All	All	Valve, Angle Compr	022-11358-000	731384	2	35
216	All	All	Eductor Assembly	375-79597-000	549137	2	35
			Block, Oil Eductor	026-47323-000	994839	2	
			Filter Drier 3/8 Orfs	026-37563-000	740969	2	
			O-Ring Neo1 00.364id .070thk M	028-12961-012	618648	8	
			O-Ring Neo1 00.924id .116thk M	028-12961-006	588821	2	
			O-Ring Neo1 00.739id .070thk M	028-12961-015	618651	2	
218	All	A, B, C, E or P M or N	Fitting, 37 Deg Flared Tube	023-18945-000	556321	6 4	35
220	F S or X	All	Valve, Ball, 1/2" OD (C X C)	022-09172-000	731238	4 2	35
222	All	All	Valve, Charging Brass	022-09754-000	391983	6	35
224	All	All	Gasket, Flange, 3-5/8" ID 5.75 BC	028-15296-000	636248	2	35
225	All	All	Ctg Dehy 100 Percent Molecular	026-37540-000	740964	6	35
226	X	All	Gasket, Round Flange, ANSI 300 #	028-15965-001	742176	2	35
227	All	All	Valve, Expansion Electronic	025-44027-000	740403	2	35
228	All	All	Switch, Liquid Level	025-43324-101	636214	2	35
230	All X	A, B, C, E or P M or N	Plug, Pipe, 1/4" NPTE Square	023-01195-000	711235	2	35
232	All	All	Valve, Transducer, 1/4" NPTF 3/8" ODS 1/4" FI	022-12370-000	837987	2	35
233	F S or X	All	Valve, Ball, 1-5/8" ODS Conn	022-08883-000	731236	4 2	35
235	All	All	Valve, Ball, 3/8" ODS Conn	022-11906-000	695896	2	35
241	F or S	All	Valve, Butterfly, Size 5	022-10641-005	147048	2	35
264	All	All	Valve, Check, 1-5/8"	022-12037-000	577074	2	35
269	F	All	Valve, Ball, 3/4" ODS	022-09580-000	48288	2	35

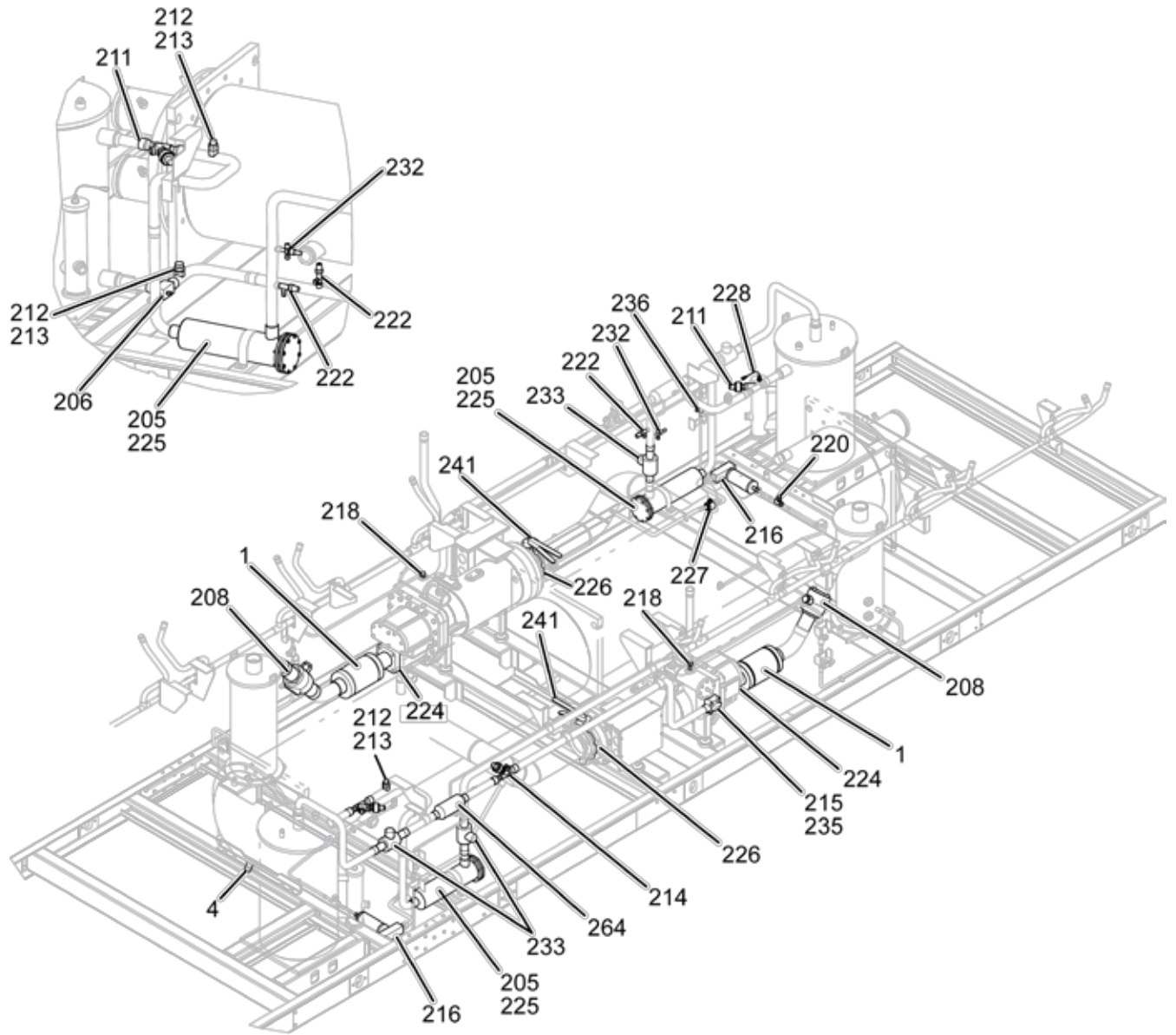


LD17344

**FIGURE 35 - PIPING ASSEMBLY 0263 / 0943**

**TABLE 42 - PIPING ASSEMBLY 0273 / 0963**

ITEM	PIN 35 =	PIN 50 =	DESCRIPTION	PART NUMBER	SAP NUMBER	QTY	FIGURE
1	All	All	Muffler	375-58655-000	577037	2	36
4	All	All	Kit, Evaporator Waterbox Drain	392-07157-000	900408	1	36
205	All	All	Dehydrator Less Cores	026-16960-000	740681	2	36
206	All	All	Valve	022-09779-000	731283	2	36
208	All	All	Valve, Shut-Off Ball	022-11325-000	444576	2	36
211	All	All	Valve, Expansion Electronic	025-41565-000	346234	2	36
212	All	All	Indicator Moist Liquid Body	026-32399-000	740784	4	36
213	All	All	Indicator Moist Liquid Cap	026-32800-000	740799	4	36
214	All	All	Valve, Expansion Electronic	025-44027-000	740403	2	36
215	All	All	Valve, Angle Compr	022-11358-000	731384	2	36
216	All	All	Eductor Assembly	375-79597-000	549137	2	36
			Block, Oil Eductor	026-47323-000	994839	2	
			Filter Drier 3/8 Orfs	026-37563-000	740969	2	
			O-Ring Neo1 00.364id .070thk M	028-12961-012	618648	8	
			O-Ring Neo1 00.924id .116thk M	028-12961-006	588821	2	
			O-Ring Neo1 00.739id .070thk M	028-12961-015	618651	2	
218	All	A, B, C, E or P M or N	Fitting, 37 Deg Flared Tube	023-18945-000	556321	6 4	36
220	F S or X	All	Valve, Ball, 1/2" OD (C X C)	022-09172-000	731238	4 2	36
222	All	All	Valve, Charging Brass	022-09754-000	391983	6	36
224	All	All	Gasket, Flange, 3-5/8" ID 5.75 BC	028-15296-000	636248	2	36
225	All	All	Ctg Dehy 100 Percent Molecular	026-37540-000	740964	6	36
226	X	All	Gasket, Round Flange, ANSI 300 #	028-15965-001	742176	2	36
227	F	All	Valve, Ball, 3/4" ODS	022-09580-000	48288	2	36
228	All	All	Switch, Liquid Level	025-43324-101	636214	2	36
232	All	All	Valve, Transducer, 1/4" NPTF 3/8" ODS 1/4" FI	022-12370-000	837987	2	36
233	F S or X	All	Valve, Ball, 1-5/8" ODS Conn	022-08883-000	731236	4 2	36
235	All	All	Plug, Pipe, 1/4" NPTE Square	023-01195-000	711235	2	36
236	All	All	Valve, Ball, 3/8" ODS Conn	022-11906-000	695896	2	36
241	F or S	All	Valve, Butterfly, Size 5	022-10641-005	147048	2	36
264	All	All	Valve, Check, 1-5/8"	022-12037-000	577074	2	36

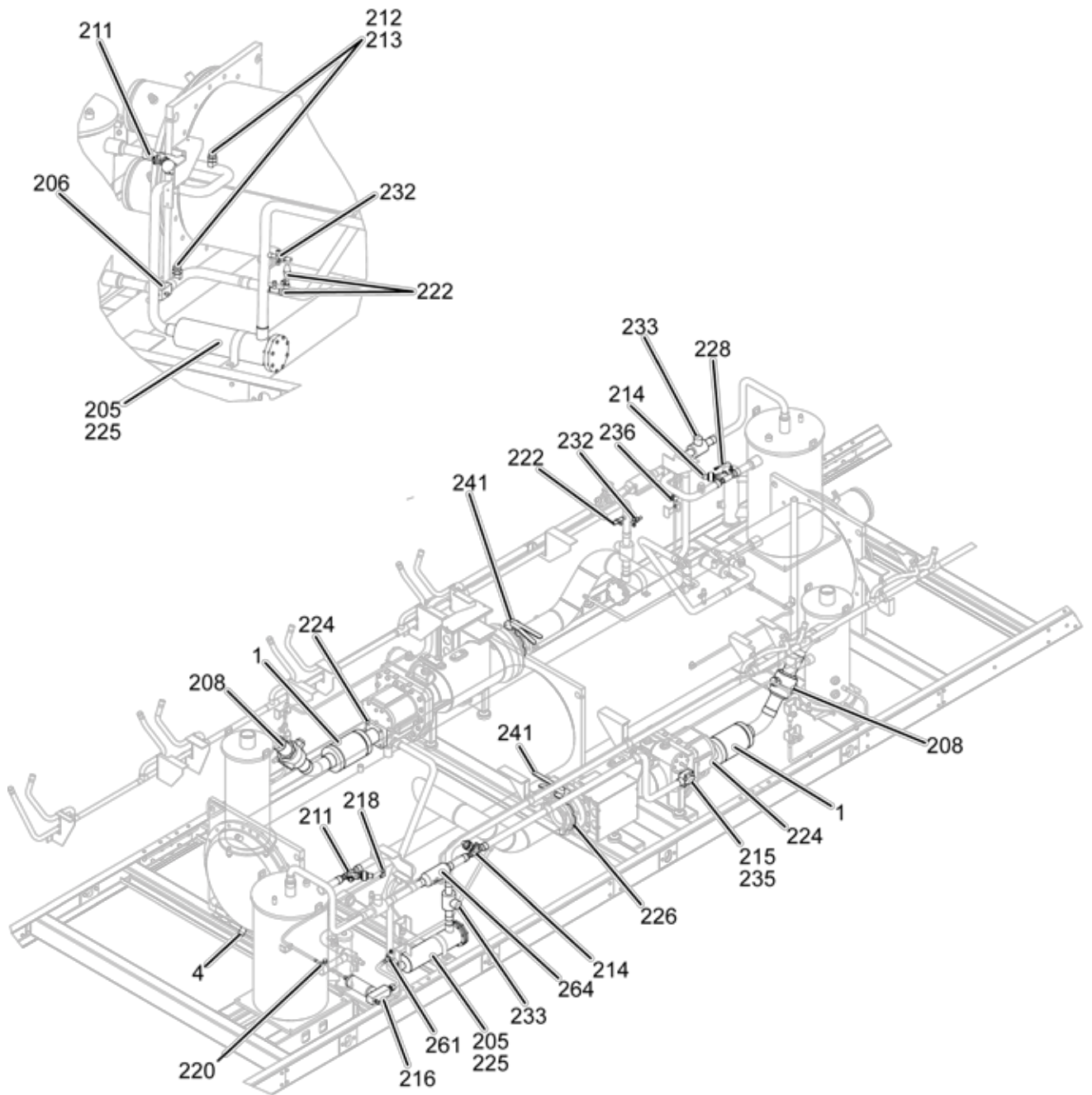


LD17345

**FIGURE 36 - PIPING ASSEMBLY 0273 / 0963**

**TABLE 43 - PIPING ASSEMBLY 0275 / 0965**

ITEM	PIN 35 =	PIN 50 =	DESCRIPTION	PART NUMBER	SAP NUMBER	QTY	FIGURE
1	All	All	Muffler	375-58655-000	577037	2	37
4	All	All	Kit, Evaporator Waterbox Drain	392-07157-000	900408	1	37
205	All	All	Dehydrator Less Cores	026-16960-000	740681	2	37
206	All	All	Valve	022-09779-000	731283	2	37
208	All	All	Valve, Shut-Off Ball	022-11325-000	444576	2	37
211	All	All	Valve, Expansion Electronic	025-41565-000	346234	2	37
212	All	All	Indicator Moist Liquid Body	026-32399-000	740784	4	37
213	All	All	Indicator Moist Liquid Cap	026-32800-000	740799	4	37
214	All	All	Valve, Expansion Electronic	025-44027-000	740403	2	37
215	All	All	Valve, Angle Compr	022-11358-000	731384	2	37
216	All	All	Eductor Assembly	375-79597-000	549137	2	37
			Block, Oil Eductor	026-47323-000	994839	2	
			Filter Drier 3/8 Orfs	026-37563-000	740969	2	
			O-Ring Neo1 00.364id .070thk M	028-12961-012	618648	8	
			O-Ring Neo1 00.924id .116thk M	028-12961-006	588821	2	
			O-Ring Neo1 00.739id .070thk M	028-12961-015	618651	2	
218	All	All	Fitting, 37 Deg Flared Tube	023-18945-000	556321	4	37
220	F	All	Valve, Ball, 1/2" OD (C X C)	022-09172-000	731238	4	37
	S or X					2	
222	All	All	Valve, Charging Brass	022-09754-000	391983	6	37
224	All	All	Gasket, Flange, 3-5/8" ID 5.75 BC	028-15296-000	636248	2	37
225	All	All	Ctg Dehy 100 Percent Molecular	026-37540-000	740964	6	37
226	X	All	Gasket, Round Flange, ANSI 300 #	028-15965-001	742176	2	37
228	All	All	Switch, Liquid Level	025-43324-101	636214	2	37
232	All	All	Valve, Transducer, 1/4" NPTF 3/8" ODS 1/4" FI	022-12370-000	837987	2	37
233	F	All	Valve, Ball, 1-5/8" ODS Conn	022-08883-000	731236	4	37
	S or X					2	
235	All	All	Plug, Pipe, 1/4" NPTE Square	023-01195-000	711235	2	37
236	All	All	Valve, Ball, 3/8" ODS Conn	022-11906-000	695896	2	37
241	F or S	All	Valve, Butterfly, Size 5	022-10641-005	147048	2	37
261	F	All	Valve, Ball, 3/4" ODS	022-09580-000	48288	2	37
264	All	All	Valve, Check, 1-5/8"	022-12037-000	577074	2	37

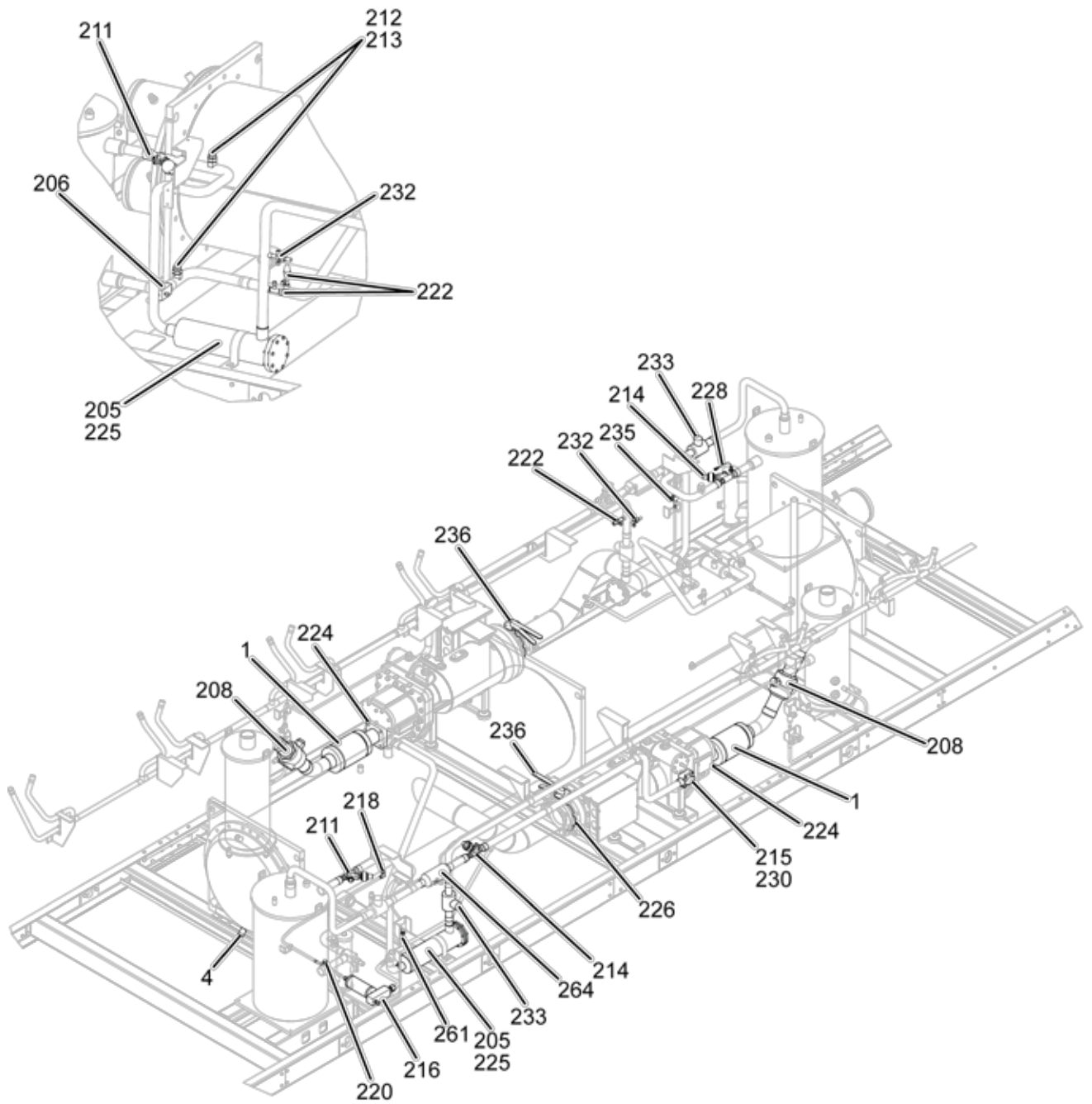


LD1734E

**FIGURE 37 - PIPING ASSEMBLY 0275 / 0965**

**TABLE 44 - PIPING ASSEMBLY 0278 / 0988**

ITEM	PIN 35 =	PIN 50 =	DESCRIPTION	PART NUMBER	SAP NUMBER	QTY	FIGURE
1	All	All	Muffler	375-58655-000	577037	2	38
4	All	All	Kit, Evaporator Waterbox Drain	392-07157-000	900408	1	38
205	All	All	Dehydrator Less Cores	026-16960-000	740681	2	38
206	All	All	Valve	022-09779-000	731283	2	38
208	All	All	Valve, Shut-Off Ball	022-11325-000	444576	2	38
211	All	All	Valve, Expansion Electronic	025-41565-000	346234	2	38
212	All	All	Indicator Moist Liquid Body	026-32399-000	740784	4	38
213	All	All	Indicator Moist Liquid Cap	026-32800-000	740799	4	38
214	All	All	Valve, Expansion Electronic	025-44027-000	740403	2	38
215	All	All	Valve, Angle Compr	022-11358-000	731384	2	38
216	All	All	Eductor Assembly	375-79597-000	549137	2	38
			Block, Oil Eductor	026-47323-000	994839	2	
			Filter Drier 3/8 Orfs	026-37563-000	740969	2	
			O-Ring Neo1 00.364id .070thk M	028-12961-012	618648	8	
			O-Ring Neo1 00.924id .116thk M	028-12961-006	588821	2	
			O-Ring Neo1 00.739id .070thk M	028-12961-015	618651	2	
218	All	All	Fitting, 37 Deg Flared Tube	023-18945-000	556321	4	38
220	F	All	Valve, Ball, 1/2" OD (C X C)	022-09172-000	731238	4	38
	S or X					2	
222	All	All	Valve, Charging Brass	022-09754-000	391983	6	38
224	All	All	Gasket, Flange, 3-5/8" ID 5.75 BC	028-15296-000	636248	2	38
225	All	All	Ctg Dehy 100 Percent Molecular	026-37540-000	740964	6	38
226	X	All	Gasket, Round Flange, ANSI 300 #	028-15965-001	742176	2	38
228	All	All	Switch, Liquid Level	025-43324-101	636214	2	38
230	All	All	Plug, Pipe, 1/4" NPTE Square	023-01195-000	711235	2	38
232	All	All	Valve, Transducer, 1/4" NPTF 3/8" ODS 1/4" FI	022-12370-000	837987	2	38
233	F	All	Valve, Ball, 1-5/8" ODS Conn	022-08883-000	731236	4	38
	S or X					2	
235	All	All	Valve, Ball, 3/8" ODS Conn	022-11906-000	695896	2	38
236	F or S	All	Valve, Butterfly, Size 5	022-10641-005	147048	2	38
261	F	All	Valve, Ball, 3/4" ODS	022-09580-000	48288	2	38
264	All	All	Valve, Ball, 1-5/8" ODS Conn	022-12037-000	577074	2	38

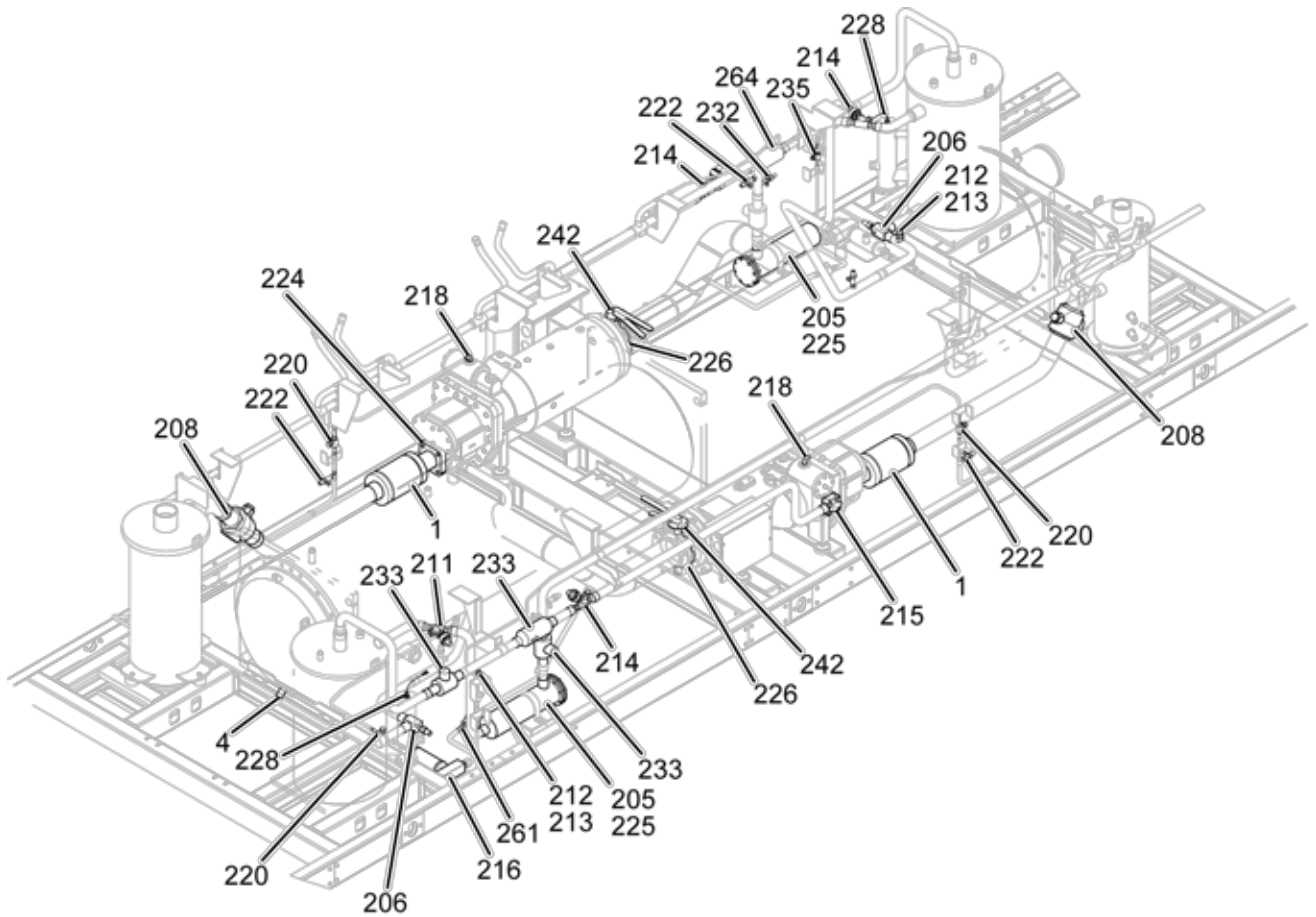


LD17347

**FIGURE 38 - PIPING ASSEMBLY 0278 / 0988**

**TABLE 45 - PIPING ASSEMBLY 0295 / 1015**

ITEM	PIN 35 =	PIN 50 =	DESCRIPTION	PART NUMBER	SAP NUMBER	QTY	FIGURE
1	All	All	Muffler	375-58655-000	577037	2	39
4	All	All	Kit, Evaporator Waterbox Drain	392-07157-000	900408	1	39
205	All	All	Dehydrator Less Cores	026-16960-000	740681	2	39
206	All	All	Valve	022-09779-000	731283	2	39
208	All	All	Valve, Shut-Off Ball	022-11325-000	444576	2	39
211	All	All	Valve, Expansion Electronic	025-41565-000	346234	1	39
212	All	All	Indicator Moist Liquid Body	026-32399-000	740784	4	39
213	All	All	Indicator Moist Liquid Cap	026-32800-000	740799	4	39
214	All	All	Valve, Expansion Electronic	025-44027-000	740403	3	39
215	All	All	Valve, Angle Compr	022-11358-000	731384	2	39
216	All	All	Eductor Assembly	375-79597-000	549137	2	39
			Block, Oil Eductor	026-47323-000	994839	2	
			Filter Drier 3/8 Orfs	026-37563-000	740969	2	
			O-Ring Neo1 00.364id .070thk M	028-12961-012	618648	8	
			O-Ring Neo1 00.924id .116thk M	028-12961-006	588821	2	
			O-Ring Neo1 00.739id .070thk M	028-12961-015	618651	2	
218	All	All	Fitting, 37 Deg Flared Tube	023-18945-000	556321	4	39
220	F	All	Valve, Ball, 1/2" OD (C X C)	022-09172-000	731238	4	39
	S or X					2	
222	All	All	Valve, Charging Brass	022-09754-000	391983	6	39
224	All	All	Gasket, Flange, 3-5/8" ID 5.75 BC	028-15296-000	636248	2	39
225	All	All	Ctg Dehy 100 Percent Molecular	026-37540-000	740964	6	39
226	X	All	Gasket, Round Flange, ANSI 300 #	028-15965-001	742176	2	39
228	All	All	Switch, Liquid Level	025-43324-100	674826	2	39
232	All	All	Valve, Transducer, 1/4" NPTF 3/8" ODS 1/4" FI	022-12370-000	837987	2	39
233	F	All	Valve, Ball, 1-5/8" ODS Conn	022-08883-000	731236	4	39
	S or X					2	
235	All	All	Valve, Ball, 3/8" ODS Conn	022-11906-000	695896	2	39
242	F or S	All	Valve, Butterfly, Size 5	022-10641-005	147048	2	39
261	F	All	Valve, Ball, 3/4" ODS	022-09580-000	48288	2	39
264	All	All	Valve, Check, 1-5/8"	022-12037-000	577074	2	39

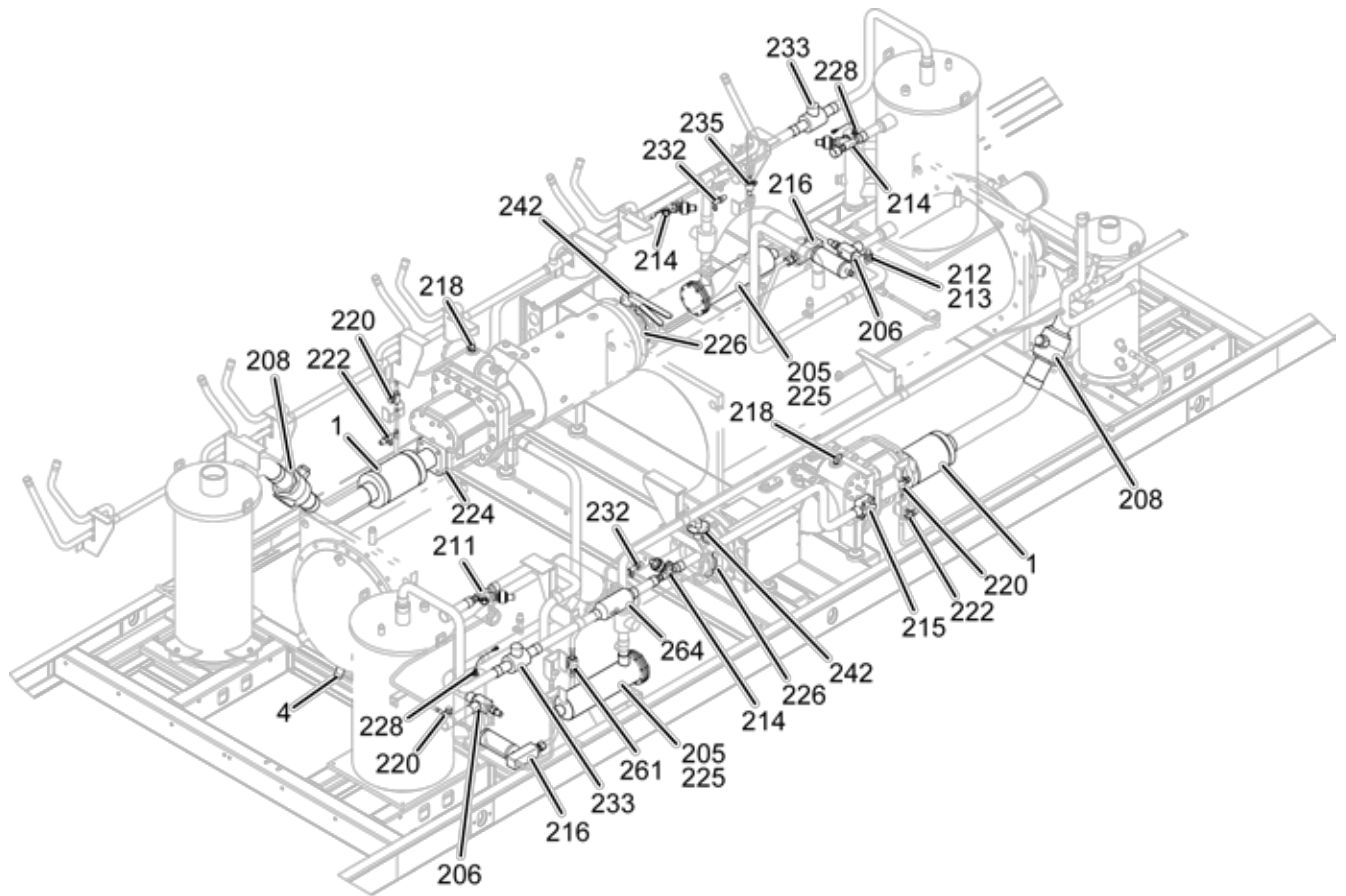


LD18958

**FIGURE 39 - PIPING ASSEMBLY 0295 / 1015**

**TABLE 46 - PIPING ASSEMBLY 0303 / 1093**

ITEM	PIN 35 =	PIN 50 =	DESCRIPTION	PART NUMBER	SAP NUMBER	QTY	FIGURE
1	All	All	Muffler	375-58655-000	577037	2	40
4	All	All	Kit, Evaporator Waterbox Drain	392-07157-000	900408	1	40
205	All	All	Dehydrator Less Cores	026-16960-000	740681	2	40
206	All	All	Valve	022-09779-000	731283	2	40
208	All	All	Valve, Shut-Off Ball	022-11325-000	444576	2	40
211	All	All	Valve, Expansion Electronic	025-41565-000	346234	1	40
212	All	All	Indicator Moist Liquid Body	026-32399-000	740784	4	40
213	All	All	Indicator Moist Liquid Cap	026-32800-000	740799	4	40
214	All	All	Valve, Expansion Electronic	025-44027-000	740403	3	40
215	All	All	Valve, Angle Compr	022-11358-000	731384	2	40
216	All	All	Eductor Assembly	375-79597-000	549137	2	40
			Block, Oil Eductor	026-47323-000	994839	2	
			Filter Drier 3/8 Orfs	026-37563-000	740969	2	
			O-Ring Neo1 00.364id .070thk M	028-12961-012	618648	8	
			O-Ring Neo1 00.924id .116thk M	028-12961-006	588821	2	
			O-Ring Neo1 00.739id .070thk M	028-12961-015	618651	2	
218	All	A, B, C, E or P M or N	Fitting, 37 Deg Flared Tube	023-18945-000	556321	6 4	40
220	F S or X	All	Valve, Ball, 1/2" OD (C X C)	022-09172-000	731238	4 2	40
222	All	All	Valve, Charging Brass	022-09754-000	391983	6	40
224	All	All	Gasket, Flange, 3-5/8" ID 5.75 BC	028-15296-000	636248	2	40
225	All	All	Ctg Dehy 100 Percent Molecular	026-37540-000	740964	6	40
226	X	All	Gasket, Round Flange, ANSI 300 #	028-15965-001	742176	2	40
228	All	A, B, C, E or P M or N	Switch, Liquid Level	025-43324-100 025-43324-101	674826 636214	2	40
232	All	All	Valve, Transducer, 1/4" NPTF 3/8" ODS 1/4" FI	022-12370-000	837987	2	40
233	F S or X	All	Valve, Ball, 1-5/8" ODS Conn	022-08883-000	731236	4 2	40
235	All	All	Valve, Ball, 3/8" ODS Conn	022-11906-000	695896	2	40
242	F or S	All	Valve, Butterfly, Size 5	022-10641-005	147048	2	40
261	F	All	Valve, Ball, 3/4" ODS	022-09580-000	48288	2	40
264	All	All	Valve, Check, 1-5/8"	022-12037-000	577074	2	40

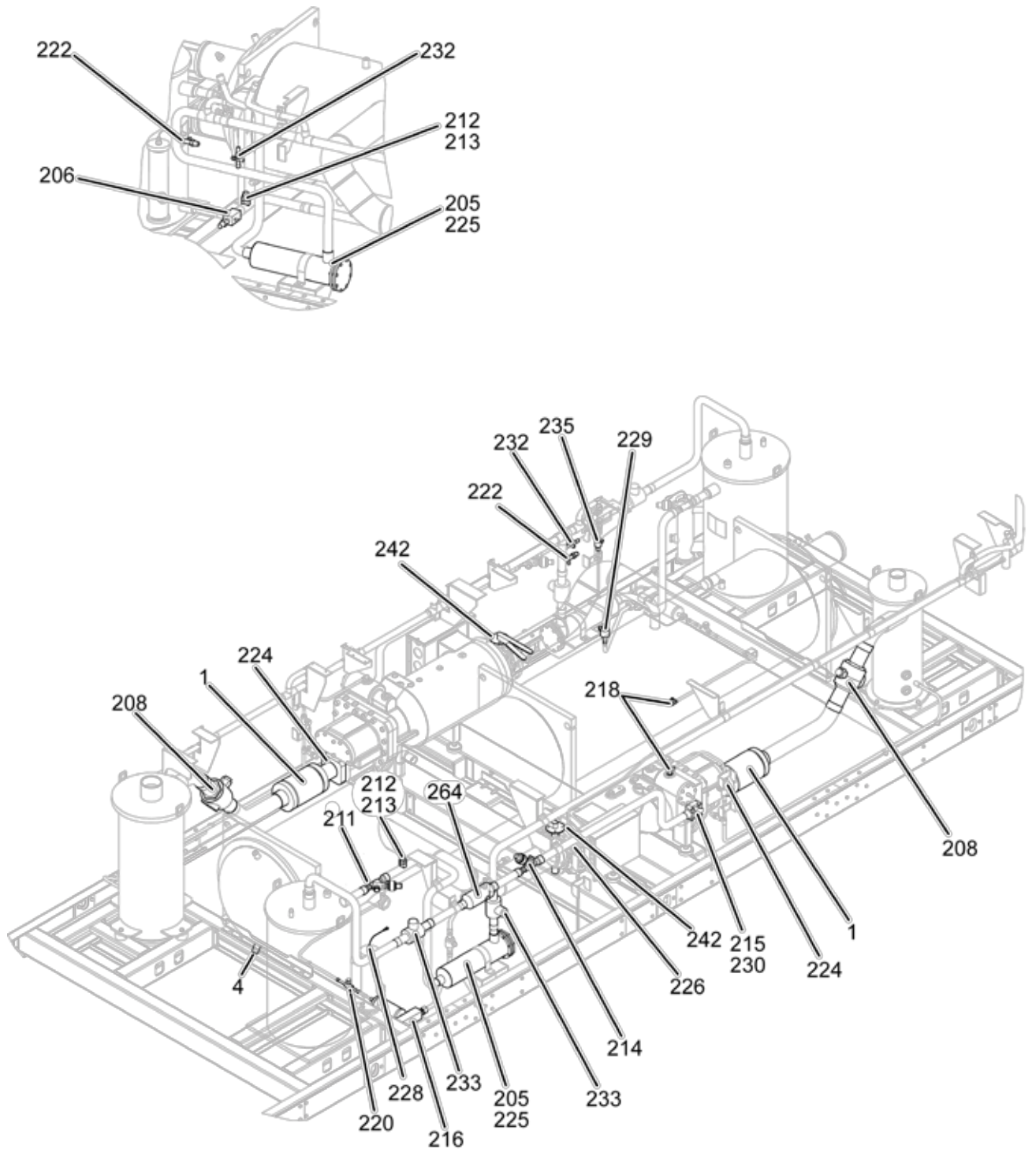


LD18959

**FIGURE 40 - PIPING ASSEMBLY 0303 / 1093**

**TABLE 47 - PIPING ASSEMBLY 0305 / 1065**

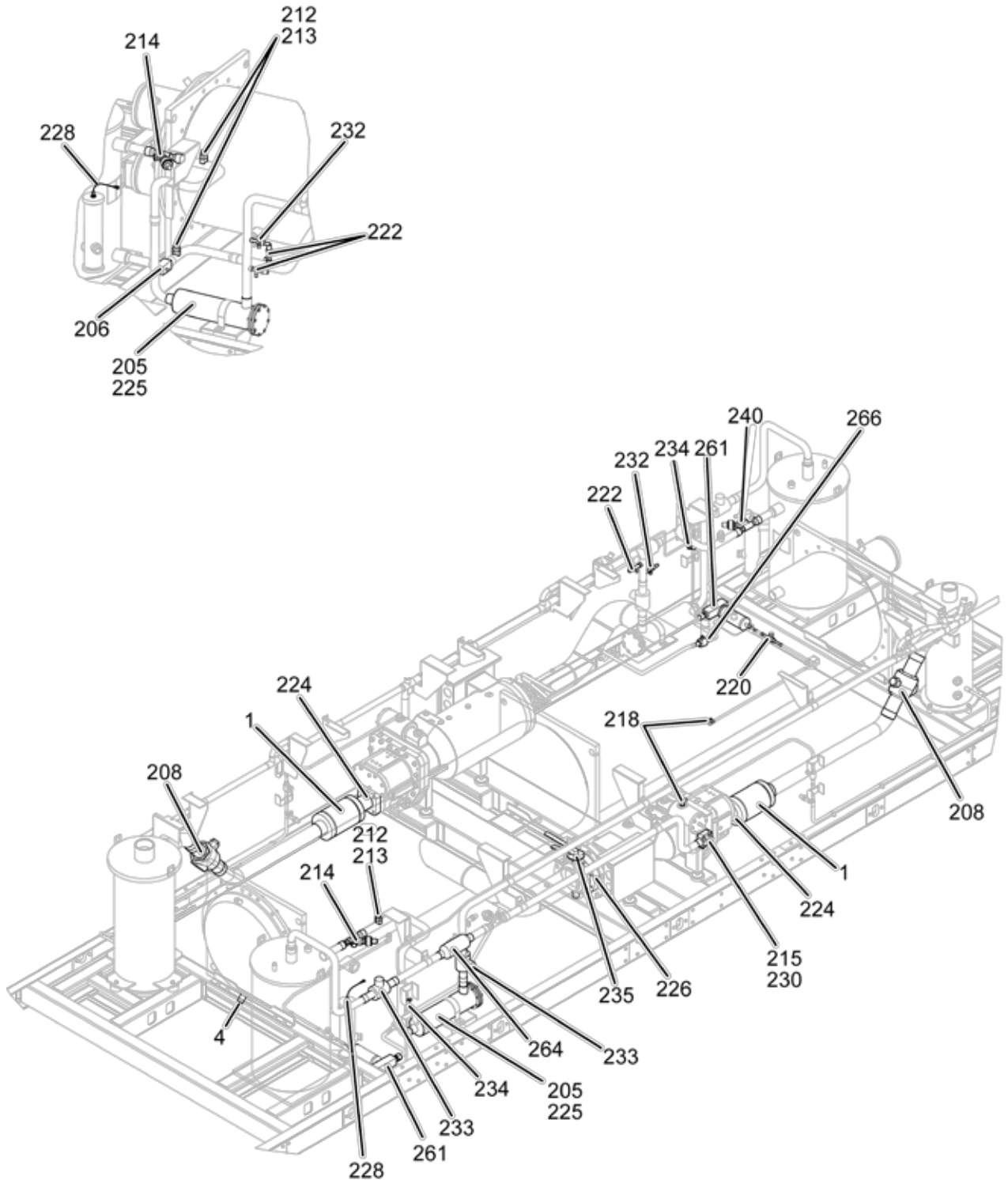
ITEM	PIN 35 =	PIN 50 =	DESCRIPTION	PART NUMBER	SAP NUMBER	QTY	FIGURE
1	All	All	Muffler	375-58655-000	577037	2	41
4	All	All	Kit, Evaporator Waterbox Drain	392-07157-000	900408	1	41
205	All	All	Dehydrator Less Cores	026-16960-000	740681	2	41
206	All	All	Valve	022-09779-000	731283	2	41
208	All	All	Valve, Shut-Off Ball	022-11325-000	444576	2	41
211	All	All	Valve, Expansion Electronic	025-41565-000	346234	1	41
212	All	All	Indicator Moist Liquid Body	026-32399-000	740784	4	41
213	All	All	Indicator Moist Liquid Cap	026-32800-000	740799	4	41
214	All	All	Valve, Expansion Electronic	025-44027-000	740403	3	41
215	All	All	Valve, Angle Compr	022-11358-000	731384	2	41
216	All	All	Eductor Assembly	375-79597-000	549137	2	41
			Block, Oil Eductor	026-47323-000	994839	2	
			Filter Drier 3/8 Orfs	026-37563-000	740969	2	
			O-Ring Neo1 00.364id .070thk M	028-12961-012	618648	8	
			O-Ring Neo1 00.924id .116thk M	028-12961-006	588821	2	
			O-Ring Neo1 00.739id .070thk M	028-12961-015	618651	2	
218	All	All	Fitting, 37 Deg Flared Tube	023-18945-000	556321	4	41
220	F	All	Valve, Ball, 1/2" OD (C X C)	022-09172-000	731238	4	41
	S or X					2	
222	All	All	Valve, Charging Brass	022-09754-000	391983	6	41
224	All	All	Gasket, Flange, 3-5/8" ID 5.75 BC	028-15296-000	636248	2	41
225	All	All	Ctg Dehy 100 Percent Molecular	026-37540-000	740964	6	41
226	X	All	Gasket, Round Flange, ANSI 300 #	028-15965-001	742176	2	41
228	All	All	Switch, Liquid Level	025-43324-100	674826	2	41
229	F	All	Valve, Ball, 3/4" ODS	022-09580-000	48288	2	41
230	All	All	Plug, Pipe, 1/4" NPTE Square	023-01195-000	711235	2	41
232	All	All	Valve, Transducer, 1/4" NPTF 3/8" ODS 1/4" FI	022-12370-000	837987	2	41
233	F	All	Valve, Ball, 1-5/8" ODS Conn	022-08883-000	731236	4	41
	S or X					2	
235	All	All	Valve, Ball, 3/8" ODS Conn	022-11906-000	695896	2	41
242	F or S	All	Valve, Butterfly, Size 5	022-10641-005	147048	2	41
264	All	All	Valve, Check, 1-5/8"	022-12037-000	577074	2	41



**FIGURE 41 - PIPING ASSEMBLY 0305 / 1065**

**TABLE 48 - PIPING ASSEMBLY 0308 / 1088**

ITEM	PIN 35 =	PIN 50 =	DESCRIPTION	PART NUMBER	SAP NUMBER	QTY	FIGURE
1	All	All	Muffler	375-58655-000	577037	2	42
4	All	All	Kit, Evaporator Waterbox Drain	392-07157-000	900408	1	42
205	All	All	Dehydrator Less Cores	026-16960-000	740681	2	42
206	All	All	Valve	022-09779-000	731283	2	42
208	All	All	Valve, Shut-Off Ball	022-11325-000	444576	2	42
212	All	All	Indicator Moist Liquid Body	026-32399-000	740784	4	42
213	All	All	Indicator Moist Liquid Cap	026-32800-000	740799	4	42
214	All	All	Valve, Expansion Electronic	025-44027-000	740403	3	42
215	All	All	Valve, Angle Compr	022-11358-000	731384	2	42
218	All	All	Fitting, 37 Deg Flared Tube	023-18945-000	556321	4	42
220	F	All	Valve, Ball, 1/2" OD (C X C)	022-09172-000	731238	4	42
	S or X					2	
222	All	All	Valve, Charging Brass	022-09754-000	391983	6	42
224	All	All	Gasket, Flange, 3-5/8" ID 5.75 BC	028-15296-000	636248	2	42
225	All	All	Ctg Dehy 100 Percent Molecular	026-37540-000	740964	6	42
226	X	All	Gasket, Round Flange, ANSI 300 #	028-15965-001	742176	2	42
228	All	All	Switch, Liquid Level	025-43324-101	636214	2	42
230	All	All	Plug, Pipe, 1/4" NPT Square	023-01195-000	711235	2	42
232	All	All	Valve, Transducer, 1/4" NPTF 3/8" ODS 1/4" FI	022-12370-000	837987	2	42
233	F	All	Valve, Ball, 1-5/8" ODS Conn	022-08883-000	731236	4	42
	S or X					2	
234	All	All	Valve, Ball, 3/8" ODS Conn	022-11906-000	695896	2	42
235	F or S	All	Valve, Butterfly, Size 5	022-10641-005	147048	2	42
240	All	All	Valve, Expansion Electronic	025-41565-000	346234	1	42
261	All	All	Eductor Assembly	375-79597-000	549137	2	42
			Block, Oil Eductor	026-47323-000	994839	2	
			Filter Drier 3/8 Orfs	026-37563-000	740969	2	
			O-Ring Neo1 00.364id .070thk M	028-12961-012	618648	8	
			O-Ring Neo1 00.924id .116thk M	028-12961-006	588821	2	
			O-Ring Neo1 00.739id .070thk M	028-12961-015	618651	2	
264	All	All	Valve, Check, 1-5/8"	022-12037-000	577074	2	42
266	F	All	Valve, Ball, 3/4" ODS	022-09580-000	48288	2	42

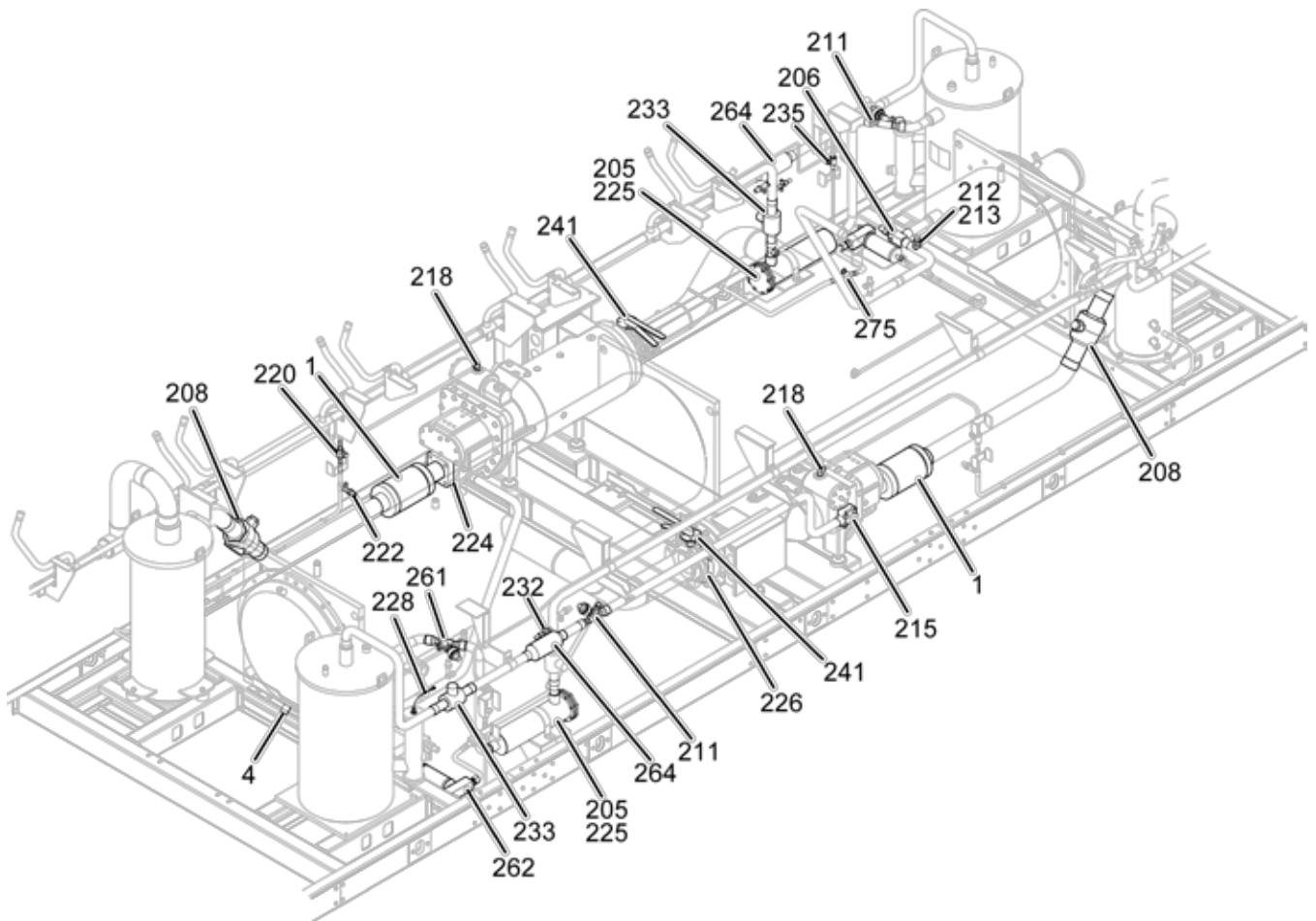


LD17351

**FIGURE 42 - PIPING ASSEMBLY 0308 / 1088**

**TABLE 49 - PIPING ASSEMBLY 0318 / 1188**

ITEM	PIN 35 =	PIN 50 =	DESCRIPTION	PART NUMBER	SAP NUMBER	QTY	FIGURE
1	All	All	Muffler	375-58655-000	577037	2	43
4	All	All	Kit, Evaporator Waterbox Drain	392-07157-000	900408	1	43
205	All	All	Dehydrator Less Cores	026-16960-000	740681	2	43
206	All	All	Valve	022-09779-000	731283	2	43
208	All	All	Valve, Shut-Off Ball	022-11325-000	444576	2	43
211	All	All	Valve, Expansion Electronic	025-44027-000	740403	3	43
212	All	All	Indicator Moist Liquid Body	026-32399-000	740784	4	43
213	All	All	Indicator Moist Liquid Cap	026-32800-000	740799	4	43
214	All	All	Plug, Pipe, 1/4" NPTE Square	023-01195-000	711235	2	43
215	All	All	Valve, Angle Compr	022-11358-000	731384	2	43
218	All	All	Fitting, 37 Deg Flared Tube	023-18945-000	556321	4	43
220	F	All	Valve, Ball, 1/2" OD (C X C)	022-09172-000	731238	4	43
	S or X					2	
222	All	All	Valve, Charging Brass	022-09754-000	391983	6	43
224	All	All	Gasket, Flange, 3-5/8" ID 5.75 BC	028-15296-000	636248	2	43
225	All	All	Ctg Dehy 100 Percent Molecular	026-37540-000	740964	6	43
226	X	All	Gasket, Round Flange, ANSI 300 #	028-15965-001	742176	2	43
228	All	All	Switch, Liquid Level	025-43324-101	636214	2	43
232	All	All	Valve, Transducer, 1/4" NPTF 3/8" ODS 1/4" FI	022-12370-000	837987	2	43
233	F	All	Valve, Ball, 1-5/8" ODS Conn	022-08883-000	731236	4	43
	S or X					2	
235	All	All	Valve, Ball, 3/8" ODS Conn	022-11906-000	695896	2	43
241	F oro S	All	Valve, Butterfly, Size 5	022-10641-005	147048	2	43
261	All	All	Valve, Expansion Electronic	025-41565-000	346234	1	43
262	All	All	Eductor Assembly	375-79597-000	549137	2	43
			Block, Oil Eductor	026-47323-000	994839	2	
			Filter Drier 3/8 Orfs	026-37563-000	740969	2	
			O-Ring Neo1 00.364id .070thk M	028-12961-012	618648	8	
			O-Ring Neo1 00.924id .116thk M	028-12961-006	588821	2	
			O-Ring Neo1 00.739id .070thk M	028-12961-015	618651	2	
264	All	All	Valve, Check, 1-5/8"	022-12037-000	577074	2	43
275	F	All	Valve, Ball, 3/4" ODS	022-09580-000	48288	2	43

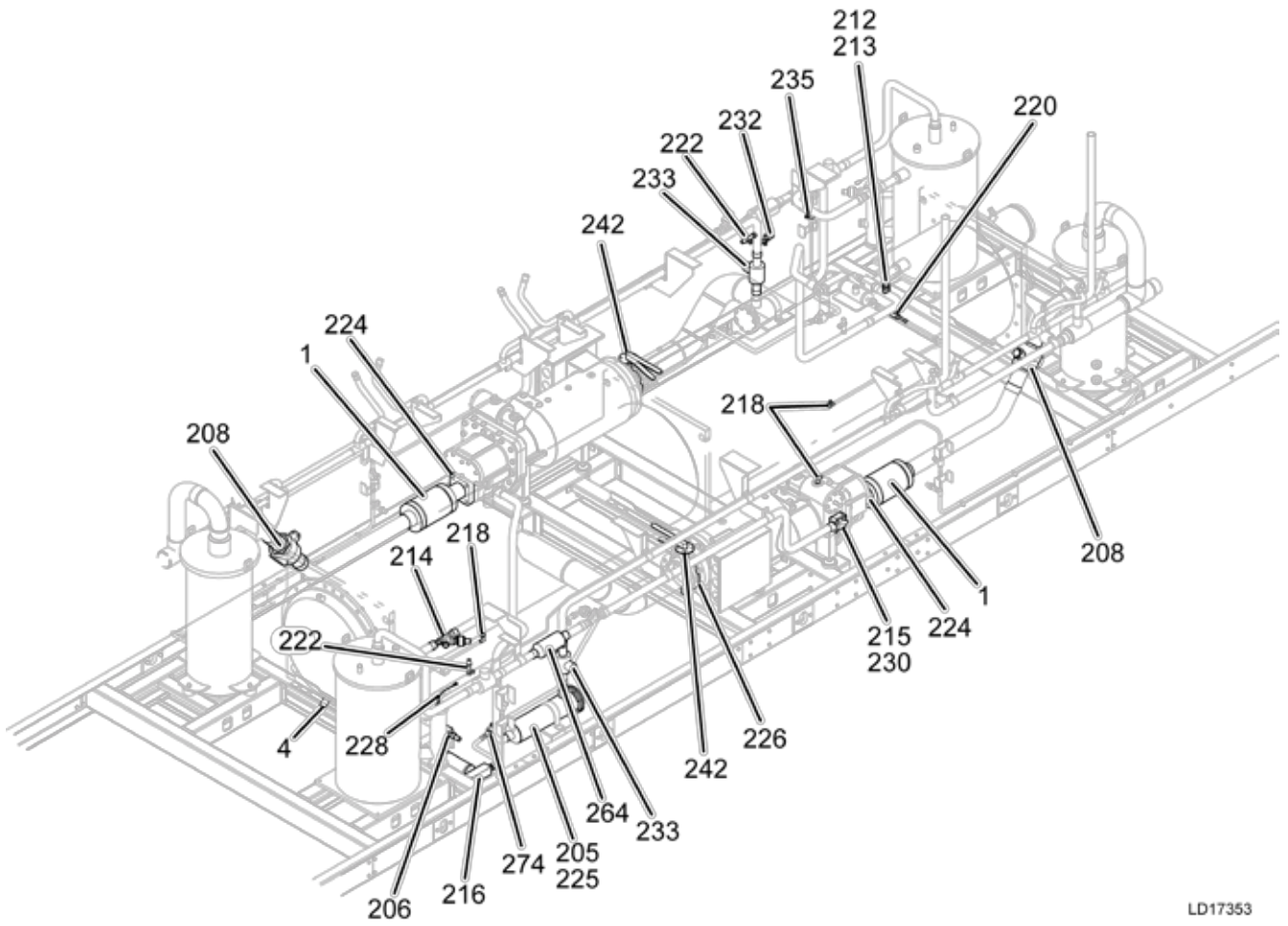


LD18960

**FIGURE 43 - PIPING ASSEMBLY 0318 / 1188**

**TABLE 50 - PIPING ASSEMBLY 0323 / 1143**

ITEM	PIN 35 =	PIN 50 =	DESCRIPTION	PART NUMBER	SAP NUMBER	QTY	FIGURE
1	All	All	Muffler	375-58655-000	577037	2	44
4	All	All	Kit, Evaporator Waterbox Drain	392-07157-000	900408	1	44
205	All	All	Dehydrator Less Cores	026-16960-000	740681	2	44
206	All	All	Valve	022-09779-000	731283	2	44
208	All	All	Valve, Shut-Off Ball	022-11325-000	444576	2	44
212	All	All	Indicator Moist Liquid Body	026-32399-000	740784	4	44
213	All	All	Indicator Moist Liquid Cap	026-32800-000	740799	4	44
214	All	All	Valve, Expansion Electronic	025-44027-000	740403	4	44
215	All	All	Valve, Angle Compr	022-11358-000	731384	2	44
216	All	All	Eductor Assembly	375-79597-000	549137	2	44
			Block, Oil Eductor	026-46625-000	741320	2	
			Filter Drier 3/8 Orfs	026-37563-000	740969	2	
			O-Ring Neo1 00.364id .070thk M	028-12961-012	618648	8	
			O-Ring Neo1 00.924id .116thk M	028-12961-006	588821	2	
			O-Ring Neo1 00.739id .070thk M	028-12961-015	618651	2	
218	All	A, B, C, E or P M or N	Fitting, 37 Deg Flared Tube	023-18945-000	556321	6 4	44
220	F S or X	All	Valve, Ball, 1/2" OD (C X C)	022-09172-000	731238	4 2	44
222	All	All	Valve, Charging Brass	022-09754-000	391983	6	44
224	All	All	Gasket, Flange, 3-5/8" ID 5.75 BC	028-15296-000	636248	2	44
225	All	All	Ctg Dehy 100 Percent Molecular	026-37540-000	740964	6	44
226	X	All	Gasket, Round Flange, ANSI 300 #	028-15965-001	742176	2	44
228	All	All	Switch, Liquid Level	025-43324-101	636214	2	44
230	All	All	Plug, Pipe, 1/4" NPTE Square	023-01195-000	711235	2	44
232	All	All	Valve, Transducer, 1/4" NPTF 3/8" ODS 1/4" FI	022-12370-000	837987	2	44
233	F S or X	All	Valve, Ball, 1-5/8" ODS Conn	022-08883-000	731236	4 2	44
235	All	All	Valve, Ball, 3/8" ODS Conn	022-11906-000	695896	2	44
242	F or S	All	Valve, Butterfly, Size 5	022-10641-005	147048	2	44
264	All	All	Valve, Check, 1-5/8"	022-12037-000	577074	2	44
274	F	All	Valve, Ball, 3/4" ODS	022-09580-000	48288	2	44

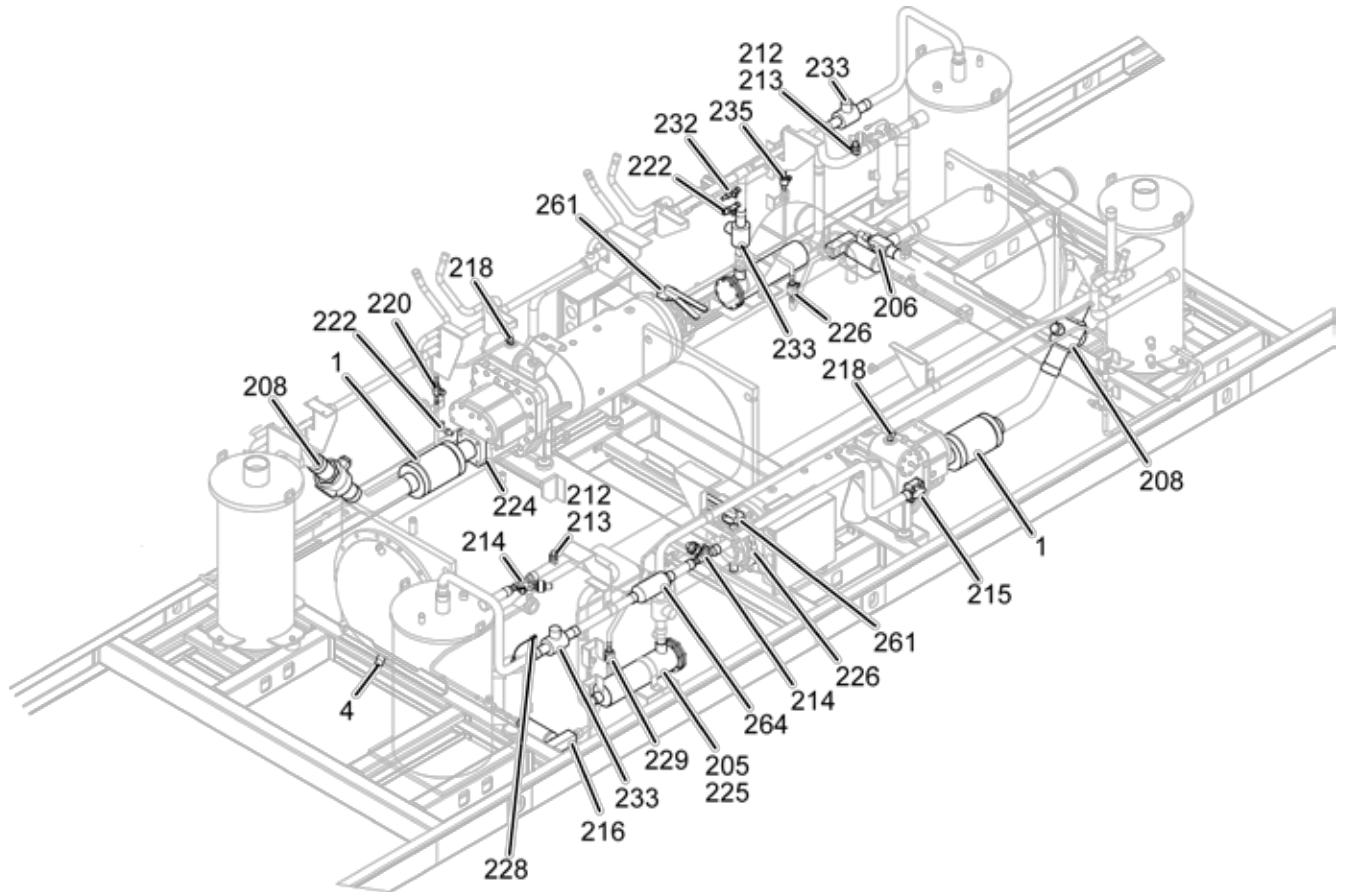


LD17353

FIGURE 44 - PIPING ASSEMBLY 0323 / 1143

**TABLE 51 - PIPING ASSEMBLY 0333 / 1173**

ITEM	PIN 35 =	PIN 50 =	DESCRIPTION	PART NUMBER	SAP NUMBER	QTY	FIGURE
1	All	All	Muffler	375-58655-000	577037	2	45
4	All	All	Kit, Evaporator Waterbox Drain	392-07157-000	900408	1	45
205	All	All	Dehydrator Less Cores	026-16960-000	740681	2	45
206	All	All	Valve	022-09779-000	731283	2	45
208	All	All	Valve, Shut-Off Ball	022-11325-000	444576	2	45
212	All	All	Indicator Moist Liquid Body	026-32399-000	740784	4	45
213	All	All	Indicator Moist Liquid Cap	026-32800-000	740799	4	45
214	All	All	Valve, Expansion Electronic	025-44027-000	740403	4	45
215	All	All	Valve, Angle Compr	022-11358-000	731384	2	45
216	All	All	Eductor Assembly	375-79597-000	549137	2	45
			Block, Oil Eductor	026-46625-000	741320	2	
			Filter Drier 3/8 Orfs	026-37563-000	740969	2	
			O-Ring Neo1 00.364id .070thk M	028-12961-012	618648	8	
			O-Ring Neo1 00.924id .116thk M	028-12961-006	588821	2	
			O-Ring Neo1 00.739id .070thk M	028-12961-015	618651	2	
218	All	A, B, C, E or P M or N	Fitting, 37 Deg Flared Tube	023-18945-000	556321	6 4	45
220	F S or X	All	Valve, Ball, 1/2" OD (C X C)	022-09172-000	731238	4 2	45
222	All	All	Valve, Charging Brass	022-09754-000	391983	6	45
224	All	All	Gasket, Flange, 3-5/8" ID 5.75 BC	028-15296-000	636248	2	45
225	All	All	Ctg Dehy 100 Percent Molecular	026-37540-000	740964	6	45
226	X	All	Gasket, Round Flange, ANSI 300 #	028-15965-001	742176	2	45
228	All	All	Switch, Liquid Level	025-43324-101	636214	2	45
229	F	All	Valve, Ball, 3/4" ODS	022-09580-000	48288	2	*
232	All	All	Valve, Transducer, 1/4" NPTF 3/8" ODS 1/4" FI	022-12370-000	837987	2	45
233	F S or X	All	Valve, Ball, 1-5/8" ODS Conn	022-08883-000	731236	4 2	45
235	All	All	Valve, Ball, 3/8" ODS Conn	022-11906-000	695896	2	45
261	F or S	All	Valve, Butterfly, Size 5	022-10641-005	147048	2	45
264	All	All	Valve, Check, 1-5/8"	022-12037-000	577074	2	45

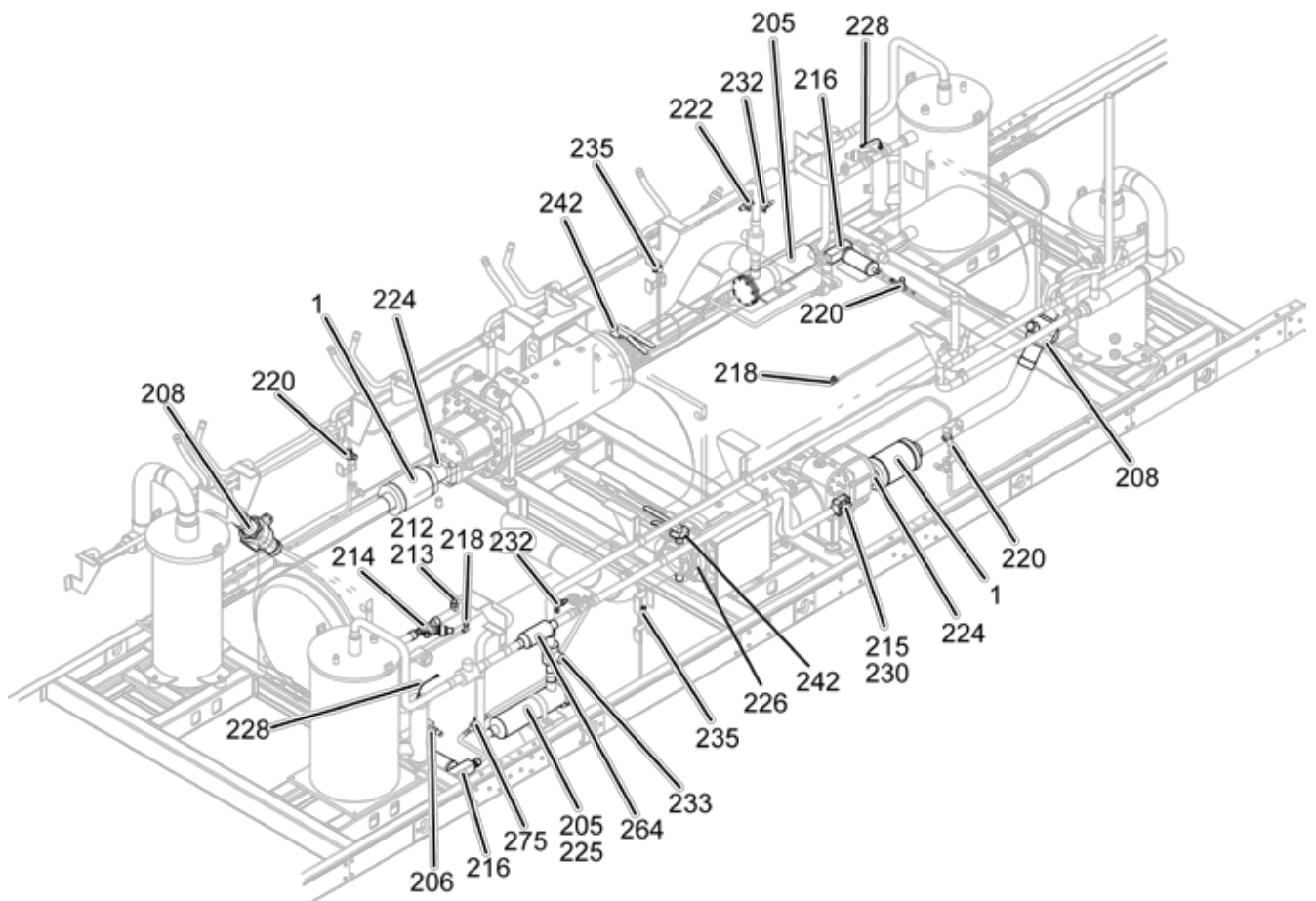


LD18961

**FIGURE 45 - PIPING ASSEMBLY 0333 / 1173**

**TABLE 52 - PIPING ASSEMBLY 0343 / 1193**

ITEM	PIN 35 =	PIN 50 =	DESCRIPTION	PART NUMBER	SAP NUMBER	QTY	FIGURE
1	All	All	Muffler	375-58655-000	577037	2	46
4	All	All	Kit, Evaporator Waterbox Drain	392-07157-000	900408	1	46
205	All	All	Dehydrator Less Cores	026-16960-000	740681	2	46
206	All	All	Valve	022-09779-000	731283	2	46
208	All	All	Valve, Shut-Off Ball	022-11325-000	444576	2	46
212	All	All	Indicator Moist Liquid Body	026-32399-000	740784	4	46
213	All	All	Indicator Moist Liquid Cap	026-32800-000	740799	4	46
214	All	All	Valve, Expansion Electronic	025-44027-000	740403	4	46
215	All	All	Valve, Angle Compr	022-11358-000	731384	2	46
216	All	All	Eductor Assembly	375-79597-000	549137	2	46
			Block, Oil Eductor	026-46625-000	741320	2	
			Filter Drier 3/8 Orfs	026-37563-000	740969	2	
			O-Ring Neo1 00.364id .070thk M	028-12961-012	618648	8	
			O-Ring Neo1 00.924id .116thk M	028-12961-006	588821	2	
			O-Ring Neo1 00.739id .070thk M	028-12961-015	618651	2	
218	All	A, B, C, E or P M or N	Fitting, 37 Deg Flared Tube	023-18945-000	556321	6 4	46
220	F S or X	All	Valve, Ball, 1/2" OD (C X C)	022-09172-000	731238	4 2	46
222	All	All	Valve, Charging Brass	022-09754-000	391983	6	46
224	All	All	Gasket, Flange, 3-5/8" ID 5.75 BC	028-15296-000	636248	2	46
225	All	All	Ctg Dehy 100 Percent Molecular	026-37540-000	740964	6	46
226	X	All	Gasket, Round Flange, ANSI 300 #	028-15965-001	742176	2	46
228	All	All	Switch, Liquid Level	025-43324-101	636214	2	46
230	All	All	Plug, Pipe, 1/4" NPTE Square	023-01195-000	711235	2	46
232	All	All	Valve, Transducer, 1/4" NPTF 3/8" ODS 1/4" FI	022-12370-000	837987	2	46
233	F S or X	All	Valve, Ball, 1-5/8" ODS Conn	022-08883-000	731236	4 2	46
235	All	All	Valve, Ball, 3/8" ODS Conn	022-11906-000	695896	2	46
242	F or S	All	Valve, Butterfly, Size 5	022-10641-005	147048	2	46
264	All	All	Valve, Ball, 1-5/8" ODS Conn	022-12037-000	577074	2	46
275	F	All	Valve, Ball, 3/4" ODS	022-09580-000	48288	2	46

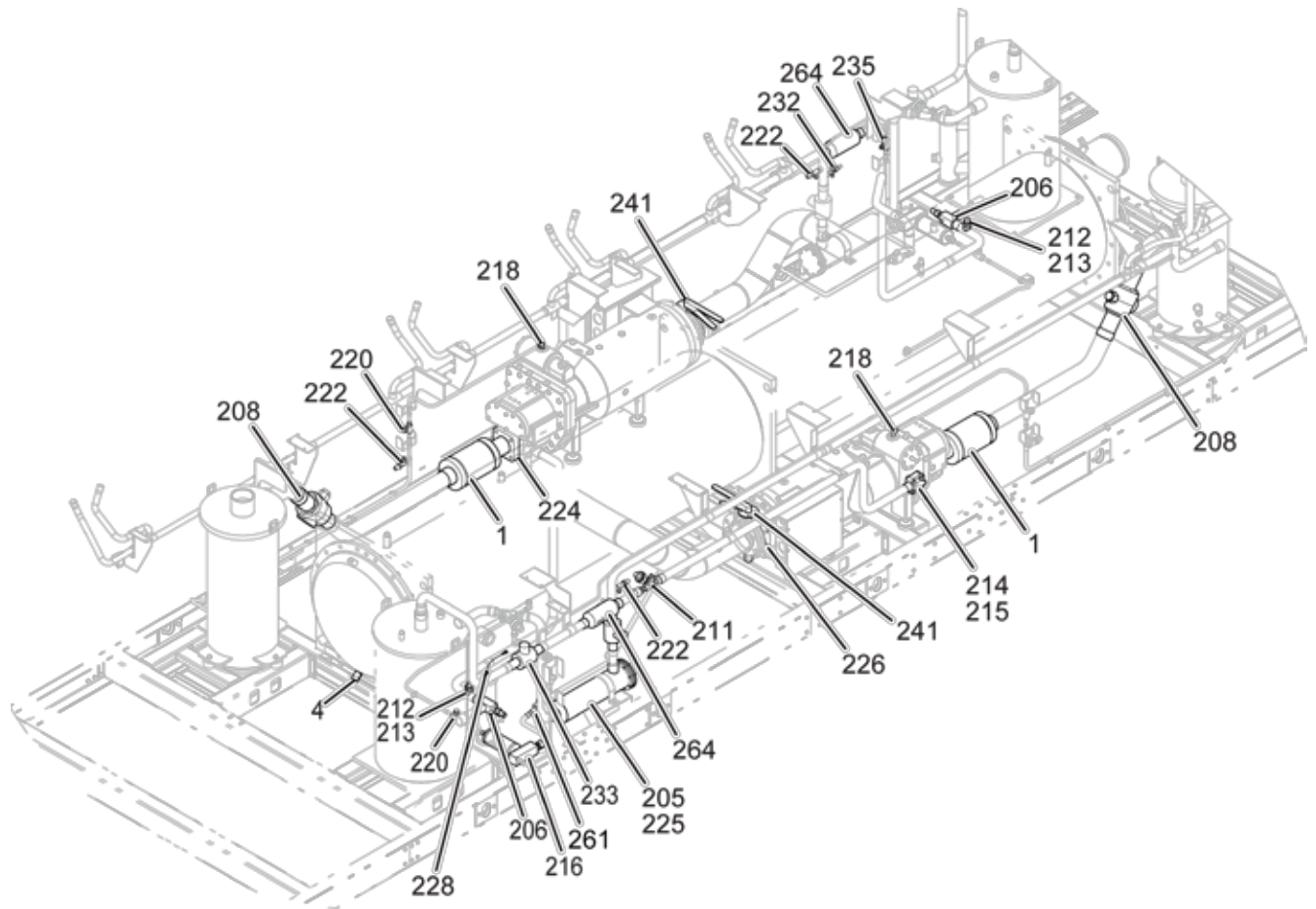


LD17355

**FIGURE 46 - PIPING ASSEMBLY 0343 / 1193**

**TABLE 53 - PIPING ASSEMBLY 0345 / 1215**

ITEM	PIN 35 =	PIN 50 =	DESCRIPTION	PART NUMBER	SAP NUMBER	QTY	FIGURE
1	All	All	Muffler	375-58655-000	577037	2	47
4	All	All	Kit, Evaporator Waterbox Drain	392-07157-000	900408	1	47
205	All	All	Dehydrator Less Cores	026-16960-000	740681	2	47
206	All	All	Valve	022-09779-000	731283	2	47
208	All	All	Valve, Shut-Off Ball	022-11325-000	444576	2	47
211	All	All	Valve, Expansion Electronic	025-44027-000	740403	4	47
212	All	All	Indicator Moist Liquid Body	026-32399-000	740784	4	47
213	All	All	Indicator Moist Liquid Cap	026-32800-000	740799	4	47
214	All	All	Plug, Pipe, 1/4" NPTE Square	023-01195-000	711235	2	47
215	All	All	Valve, Angle Compr	022-11358-000	731384	2	47
216	All	All	Eductor Assembly	375-79597-000	549137	2	47
			Block, Oil Eductor	026-46625-000	741320	2	
			Filter Drier 3/8 Orfs	026-37563-000	740969	2	
			O-Ring Neo1 00.364id .070thk M	028-12961-012	618648	8	
			O-Ring Neo1 00.924id .116thk M	028-12961-006	588821	2	
			O-Ring Neo1 00.739id .070thk M	028-12961-015	618651	2	
218	All	All	Fitting, 37 Deg Flared Tube	023-18945-000	556321	4	47
220	F	All	Valve, Ball, 1/2" OD (C X C)	022-09172-000	731238	4	47
	S or X					2	
222	All	All	Valve, Charging Brass	022-09754-000	391983	6	47
224	All	All	Gasket, Flange, 3-5/8" ID 5.75 BC	028-15296-000	636248	2	47
225	All	All	Ctg Dehy 100 Percent Molecular	026-37540-000	740964	6	47
226	X	All	Gasket, Round Flange, ANSI 300 #	028-15965-001	742176	2	47
228	All	All	Switch, Liquid Level	025-43324-101	636214	2	47
232	All	All	Valve, Transducer, 1/4" NPTF 3/8" ODS 1/4" FI	022-12370-000	837987	2	47
233	F	All	Valve, Ball, 1-5/8" ODS Conn	022-08883-000	731236	4	47
	S or X					2	
235	All	All	Valve, Ball, 3/8" ODS Conn	022-11906-000	695896	2	47
241	F or S	All	Valve, Butterfly, Size 5	022-10641-005	147048	2	47
261	F	All	Valve, Ball, 3/4" ODS	022-09580-000	48288	2	47
264	All	All	Valve, Check, 1-5/8"	022-12037-000	577074	2	47

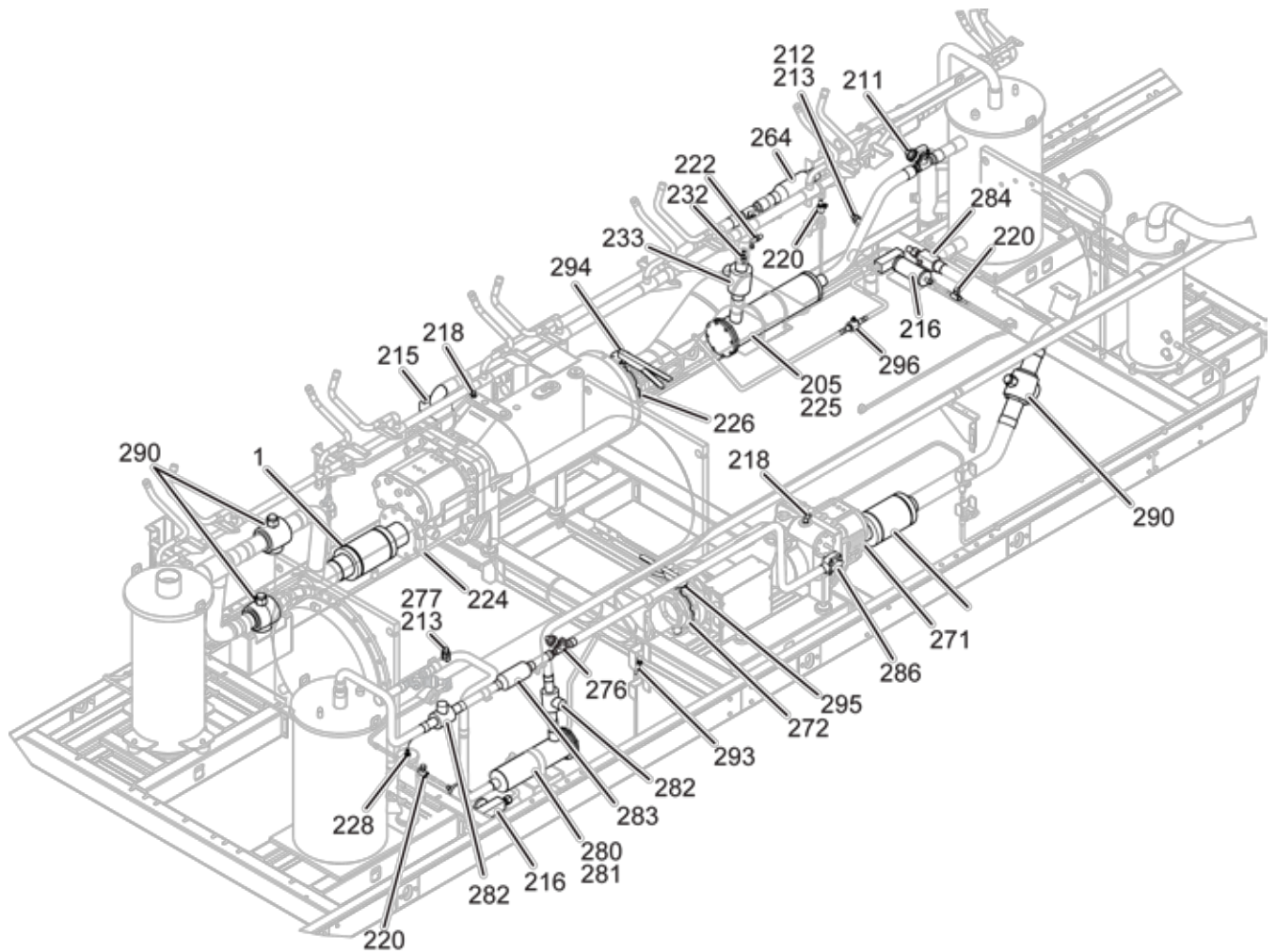


LD18962

FIGURE 47 - PIPING ASSEMBLY 0345 / 1215

**TABLE 54 - PIPING ASSEMBLY 0368 / 1288**

ITEM	PIN 35 =	PIN 50 =	DESCRIPTION	PART NUMBER	SAP NUMBER	QTY	FIGURE
1	All	All	Muffler, Straight Discharge	392-03546-000	862591	1	48
2	All	All	Muffler	375-58655-000	577037	1	48
205	All	All	Dehydrator Less Cores	026-46933-000	862505	1	48
211	All	All	Valve, Expansion Electronic	025-45017-000	862504	2	48
212	All	All	Indicator Moist Liquid Body	026-46935-000	862506	2	48
213	All	All	Indicator Moist Liquid Cap	026-32800-000	740799	4	48
215	All	All	Economiser, Weld Flange	392-07086-000	862604	1	48
216	All	All	Eductor Assembly	375-79597-000	549137	2	48
			Block, Oil Eductor	026-46625-000	741320	2	
			Filter Drier 3/8 Orfs	026-37563-000	740969	2	
			O-Ring Neo1 00.364id .070thk M	028-12961-012	618648	8	
			O-Ring Neo1 00.924id .116thk M	028-12961-006	588821	2	
			O-Ring Neo1 00.739id .070thk M	028-12961-015	618651	2	
218	All	All	Fitting, 37 Deg Flared Tube	023-18945-000	556321	4	48
220	F	All	Valve, Ball, 1/2" OD (C X C)	022-09172-000	731238	4	48
	S or X					2	
222	All	All	Valve, Charging Brass	022-09754-000	391983	6	48
224	All	All	Gasket, Round, 6" Flange, ANSI	028-15965-003	1082279	1	48
225	All	All	Cig Dehy 100 Percent Molecular	026-46952-000	862507	3	48
226	X	All	Gasket, Round, 6" Flange, ANSI	028-15965-002	862508	1	48
228	All	All	Switch, Liquid Level	025-43324-101	636214	2	48
232	All	All	Valve, Transducer, 1/4" NPTF 3/8" ODS 1/4" FI	022-12370-000	837987	2	48
233	F	All	Valve, Ball, 2-1/8" ODS Conn	022-09752-000	731278	3	48
	S or X					2	
264	All	All	Valve, Check Magnetic, 2-1/8"	022-12249-000	862499	1	48
271	All	All	Gasket, Flange, 3-5/8" ID 5.75 BC	028-15296-000	636248	1	48
272	X	All	Gasket, Round Flange, ANSI 300 #	028-15965-001	742176	1	48
276	All	All	Valve, Expansion Electronic	025-44027-000	740403	2	48
277	All	All	Indicator Moist Liquid Body	026-32399-000	740784	2	48
280	All	All	Dehydrator Less Cores	026-16960-000	740681	1	48
281	All	All	Ctg Dehy 100 Percent Molecular	026-37540-000	740964	3	48
282	F	All	Valve, Ball, 1-5/8" ODS Conn	022-08883-000	731236	2	48
	S or X					1	
283	All	All	Valve, Ball, 1-5/8" ODS Conn	022-12037-000	577074	1	48
284	All	All	Valve	022-09779-000	731283	1	48
286	All	All	Valve, Angle Compr	022-11358-000	731384	1	48
287	All	All	Plug, Pipe, 1/4" NPTE Square	023-01195-000	711235	1	48
290	All	All	Valve, Shut-Off Ball	022-11325-000	444576	3	48
293	All	All	Valve, Ball, 3/8" ODS Conn	022-11906-000	695896	2	48
294	F or S	All	Valve, Butterfly, Size 6	022-10641-006	116118	1	48
295	F or S	All	Valve, Butterfly, Size 5	022-10641-005	147048	1	48
296	F	All	Valve, Ball, 3/4" ODS	022-09580-000	48288	2	48



LD18963

**FIGURE 48 - PIPING ASSEMBLY 0368 / 1288**

**TABLE 55 - PIPING ASSEMBLY 0373 / 1343**

ITEM	PIN 35 =	PIN 50 =	DESCRIPTION	PART NUMBER	SAP NUMBER	QTY	FIGURE
1	All	All	Muffler, Straight Discharge	392-03546-000	862591	1	49
2	All	All	Muffler	375-58655-000	577037	1	49
205	All	All	Dehydrator Less Cores	026-46933-000	862505	1	49
211	All	All	Valve, Expansion Electronic	025-45017-000	862504	2	49
212	All	All	Indicator Moist Liquid Body	026-46935-000	862506	2	49
213	All	All	Indicator Moist Liquid Cap	026-32800-000	740799	4	49
215	All	All	Economiser Weld Flange	392-07086-000	862604	1	49
216	All	All	Eductor Assembly	375-79597-000	549137	2	49
			Block, Oil Eductor	026-46625-000	741320	2	
			Filter Drier 3/8 Orfs	026-37563-000	740969	2	
			O-Ring Neo1 00.364id .070thk M	028-12961-012	618648	8	
			O-Ring Neo1 00.924id .116thk M	028-12961-006	588821	2	
			O-Ring Neo1 00.739id .070thk M	028-12961-015	618651	2	
218	All	A, B, C, E or P M or N	Fitting, 37 Deg Flared Tube	023-18945-000	556321	6 4	49
220	F S or X	All	Valve, Ball, 1/2" OD (C X C)	022-09172-000	731238	4 2	49
222	All	All	Valve, Charging Brass	022-09754-000	391983	6	49
224	All	All	Gasket, Round, 6" Flange, ANSI	028-15965-003	1082279	1	49
225	All	All	Cig Dehy 100 Percent Molecular	026-46952-000	862507	3	49
226	X	All	Gasket, Round, 6" Flange, ANSI	028-15965-002	862508	1	49
228	All	All	Switch, Liquid Level	025-43324-101	636214	2	49
232	All	All	Valve, Transducer, 1/4" NPTF 3/8" ODS 1/4" FI	022-12370-000	837987	2	49
233	F S or X	All	Valve, Ball, 2-1/8" ODS Conn	022-09752-000	731278	3 2	49
234	All	All	Valve, Shut-Off Ball	022-11325-000	444576	3	49
264	All	All	Valve, Check Magnetic, 2-1/8"	022-12249-000	862499	1	49
271	All	All	Gasket, Flange, 3-5/8" ID 5.75 BC	028-15296-000	636248	1	49
272	X	All	Gasket, Round Flange, ANSI 300 #	028-15965-001	742176	1	49
276	All	All	Valve, Expansion Electronic	025-44027-000	740403	2	49
277	All	All	Indicator Moist Liquid Body	026-32399-000	740784	2	49
280	All	All	Dehydrator Less Cores	026-16960-000	740681	1	49
281	All	All	Ctg Dehy 100 Percent Molecular	026-37540-000	740964	3	49
282	F S or X	All	Valve, Ball, 1-5/8" ODS Conn	022-08883-000	731236	2 1	49
283	All	All	Valve, Check, 1-5/8"	022-12037-000	577074	1	49
284	All	All	Valve	022-09779-000	731283	1	49
286	All	All	Valve, Angle Compr	022-11358-000	731384	1	49
287	All	All	Plug, Pipe, 1/4" NPTE Square	023-01195-000	711235	1	49
290	All	All	Valve, Ball, 3/8" ODS Conn	022-11906-000	695896	2	49
291	F or S	All	Valve, Butterfly, Size 6	022-10641-006	116118	1	49
292	F or S	All	Valve, Butterfly, Size 5	022-10641-005	147048	1	49
293	F	All	Valve, Ball, 3/4" ODS	022-09580-000	48288	2	49

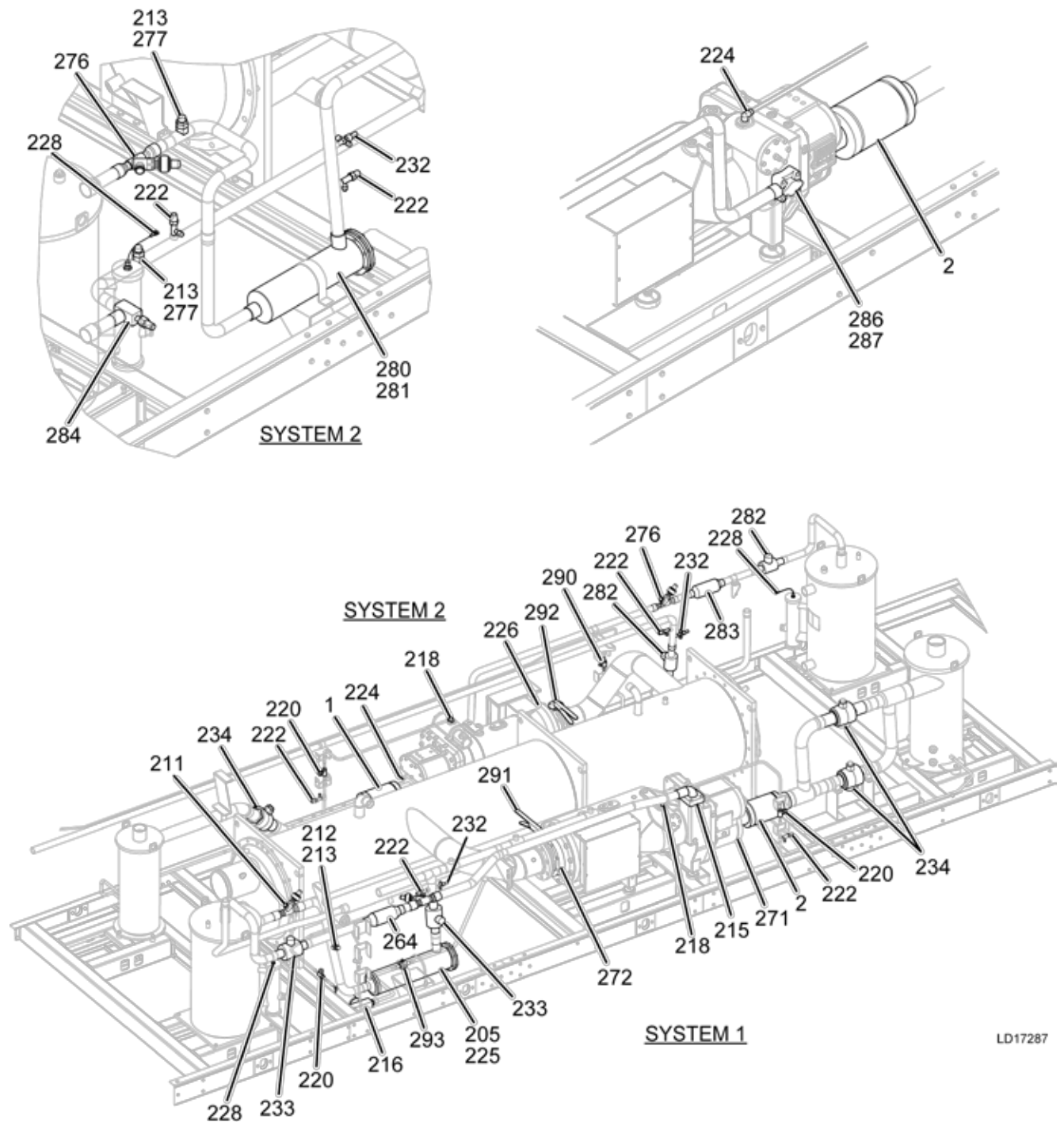
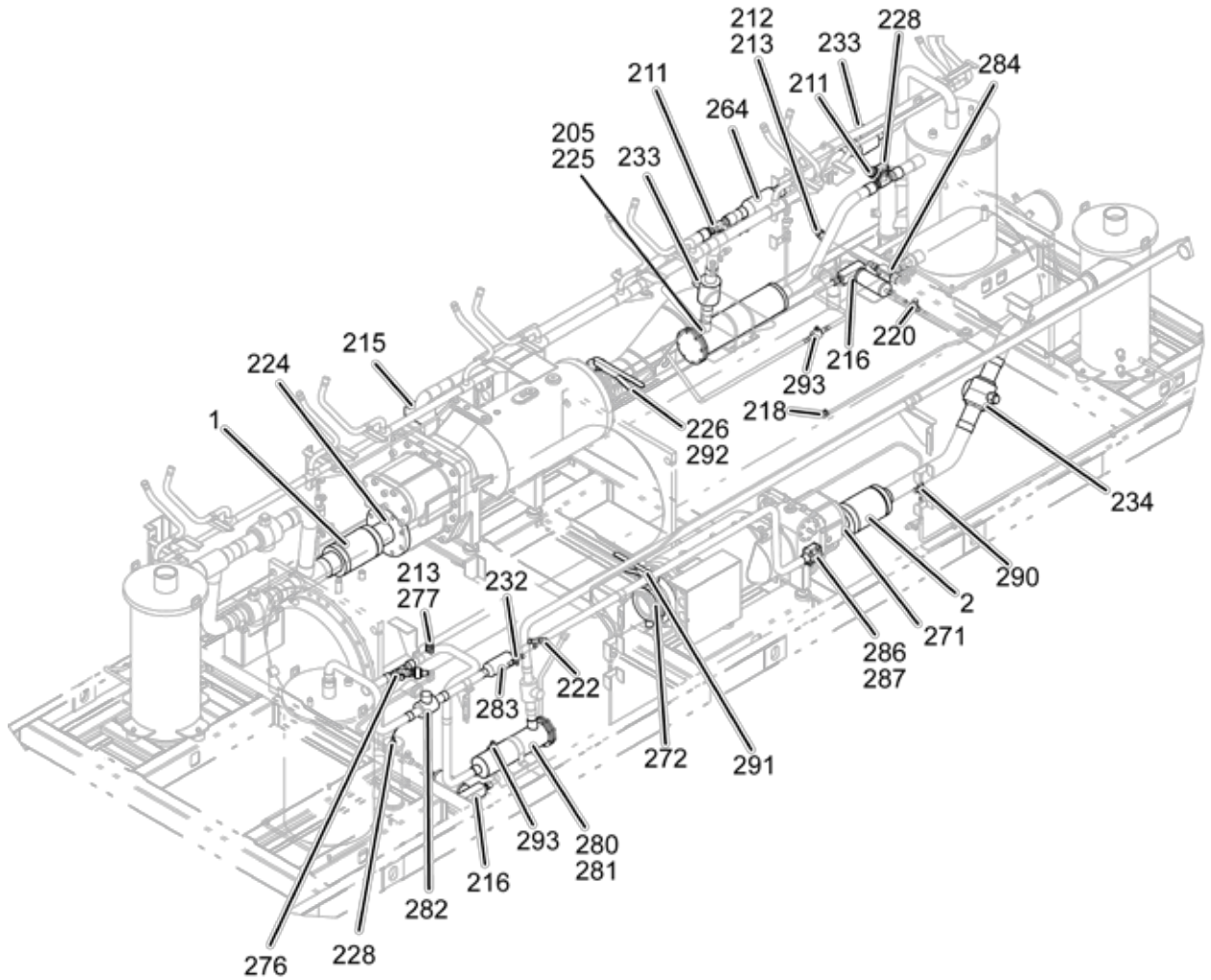


FIGURE 49 - PIPING ASSEMBLY 0373 / 1343

**TABLE 56 - PIPING ASSEMBLY 0375 / 1315**

ITEM	PIN 35 =	PIN 50 =	DESCRIPTION	PART NUMBER	SAP NUMBER	QTY	FIGURE
1	All	All	Muffler, Straight Discharge	392-03546-000	862591	1	50
2	All	All	Muffler	375-58655-000	577037	1	50
205	All	All	Dehydrator Less Cores	026-46933-000	862505	1	50
211	All	All	Valve, Expansion Electronic	025-45017-000	862504	2	50
212	All	All	Indicator Moist Liquid Body	026-46935-000	862506	2	50
213	All	All	Indicator Moist Liquid Cap	026-32800-000	740799	4	50
215	All	All	Economiser, Weld Flange	392-07086-000	862604	1	50
216	All	All	Eductor Assembly	375-79597-000	549137	2	50
218	All	All	Fitting, 37 Deg Flared Tube	023-18945-000	556321	4	50
220	F	All	Valve, Ball, 1/2" OD (C X C)	022-09172-000	731238	4	50
	S or X					2	
222	All	All	Valve, Charging Brass	022-09754-000	391983	6	50
224	All	All	Gasket, Round, 6" Flange, ANSI	028-15965-003	1082279	1	50
225	All	All	Cig Dehy 100 Percent Molecular	026-46952-000	862507	3	50
226	X	All	Gasket, Round, 6" Flange, ANSI	028-15965-002	862508	1	50
228	All	All	Switch, Liquid Level	025-43324-101	636214	2	50
232	All	All	Valve, Transducer, 1/4" NPTF 3/8" ODS 1/4" FI	022-12370-000	837987	2	50
233	F	All	Valve, Ball, 2-1/8" ODS Conn	022-09752-000	731278	3	50
	S or X					2	
234	All	All	Valve, Shut-Off Ball	022-11325-000	444576	3	50
264	All	All	Valve, Check Magnetic, 2-1/8"	022-12249-000	862499	1	50
271	All	All	Gasket, Flange, 3-5/8" ID 5.75 BC	028-15296-000	636248	1	50
272	All	All	Gasket, Round Flange, ANSI 300 #	028-15965-001	742176	1	50
276	All	All	Valve, Expansion Electronic	025-44027-000	740403	2	50
277	All	All	Indicator Moist Liquid Body	026-32399-000	740784	2	50
280	All	All	Dehydrator Less Cores	026-16960-000	740681	1	50
281	All	All	Ctg Dehy 100 Percent Molecular	026-37540-000	740964	3	50
282	F	All	Valve, Ball, 1-5/8" ODS Conn	022-08883-000	731236	2	50
	S or X					1	
283	All	All	Valve, Ball, 1-5/8" ODS Conn	022-12037-000	577074	1	50
284	All	All	Valve	022-09779-000	731283	1	50
286	All	All	Valve, Angle Compr	022-11358-000	731384	1	50
287	All	All	Plug, Pipe, 1/4" NPTE Square	023-01195-000	711235	1	50
290	All	All	Valve, Ball, 3/8" ODS Conn	022-11906-000	695896	2	50
291	F or S	All	Valve, Butterfly, Size 6	022-10641-006	116118	1	50
292	F or S	All	Valve, Butterfly, Size 5	022-10641-005	147048	1	50
293	F	All	Valve, Ball, 3/4" ODS	022-09580-000	48288	2	50



LD18933

**FIGURE 50 - PIPING ASSEMBLY 0375 / 1315**

**TABLE 57 - PIPING ASSEMBLY 0398 / 1388**

ITEM	PIN 35 =	PIN 50 =	DESCRIPTION	PART NUMBER	SAP NUMBER	QTY	FIGURE
1	All	All	Muffler, Straight Discharge	392-03546-000	862591	1	51
2	All	All	Muffler	375-58655-000	577037	1	51
205	All	All	Dehydrator Less Cores	026-46933-000	862505	1	51
211	All	All	Valve, Expansion Electronic	025-45017-000	862504	2	51
212	All	All	Indicator Moist Liquid Body	026-46935-000	862506	2	51
213	All	All	Indicator Moist Liquid Cap	026-32800-000	740799	4	51
215	All	All	Economiser, Weld Flange	392-07086-000	862604	1	51
216	All	All	Eductor Assembly	375-79597-000	549137	2	51
218	All	All	Fitting, 37 Deg Flared Tube	023-18945-000	556321	4	51
220	F	All	Valve, Ball, 1/2" OD (C X C)	022-09172-000	731238	4	51
	S or X					2	
222	All	All	Valve, Charging Brass	022-09754-000	391983	6	51
224	All	All	Gasket, Round, 6" Flange, ANSI	028-15965-003	1082279	1	51
225	All	All	Cig Dehy 100 Percent Molecular	026-46952-000	862507	3	51
226	X	All	Gasket, Round, 6" Flange, ANSI	028-15965-002	862508	1	51
228	All	All	Switch, Liquid Level	025-43324-101	636214	2	51
232	All	All	Valve, Transducer, 1/4" NPTF 3/8" ODS 1/4" FI	022-12370-000	837987	2	51
233	F	All	Valve, Ball, 2-1/8" ODS Conn	022-09752-000	731278	3	51
	S or X					2	
264	All	All	Valve, Check Magnetic, 2-1/8"	022-12249-000	862499	1	51
271	All	All	Gasket, Flange, 3-5/8" ID 5.75 BC	028-15296-000	636248	1	51
272	X	All	Gasket, Round Flange, ANSI 300 #	028-15965-001	742176	1	51
276	All	All	Valve, Expansion Electronic	025-44027-000	740403	2	51
277	All	All	Indicator Moist Liquid Body	026-32399-000	740784	2	51
280	All	All	Dehydrator Less Cores	026-16960-000	740681	1	51
281	All	All	Ctg Dehy 100 Percent Molecular	026-37540-000	740964	3	51
282	F	All	Valve, Ball, 1-5/8" ODS Conn	022-08883-000	731236	2	51
	S or X					1	
283	All	All	Valve, Check, 1-5/8"	022-12037-000	577074	1	51
284	All	All	Valve	022-09779-000	731283	1	51
286	All	All	Valve, Angle Compr	022-11358-000	731384	1	51
287	All	All	Plug, Pipe, 1/4" NPTE Square	023-01195-000	711235	1	51
290	All	All	Valve, Shut-Off Ball	022-11325-000	444576	3	51
293	All	All	Valve, Ball, 3/8" ODS Conn	022-11906-000	695896	2	51
294	F or S	All	Valve, Butterfly, Size 6	022-10641-006	116118	1	51
295	F or S	All	Valve, Butterfly, Size 5	022-10641-005	147048	1	51
296	F	All	Valve, Ball, 3/4" ODS	022-09580-000	48288	2	51

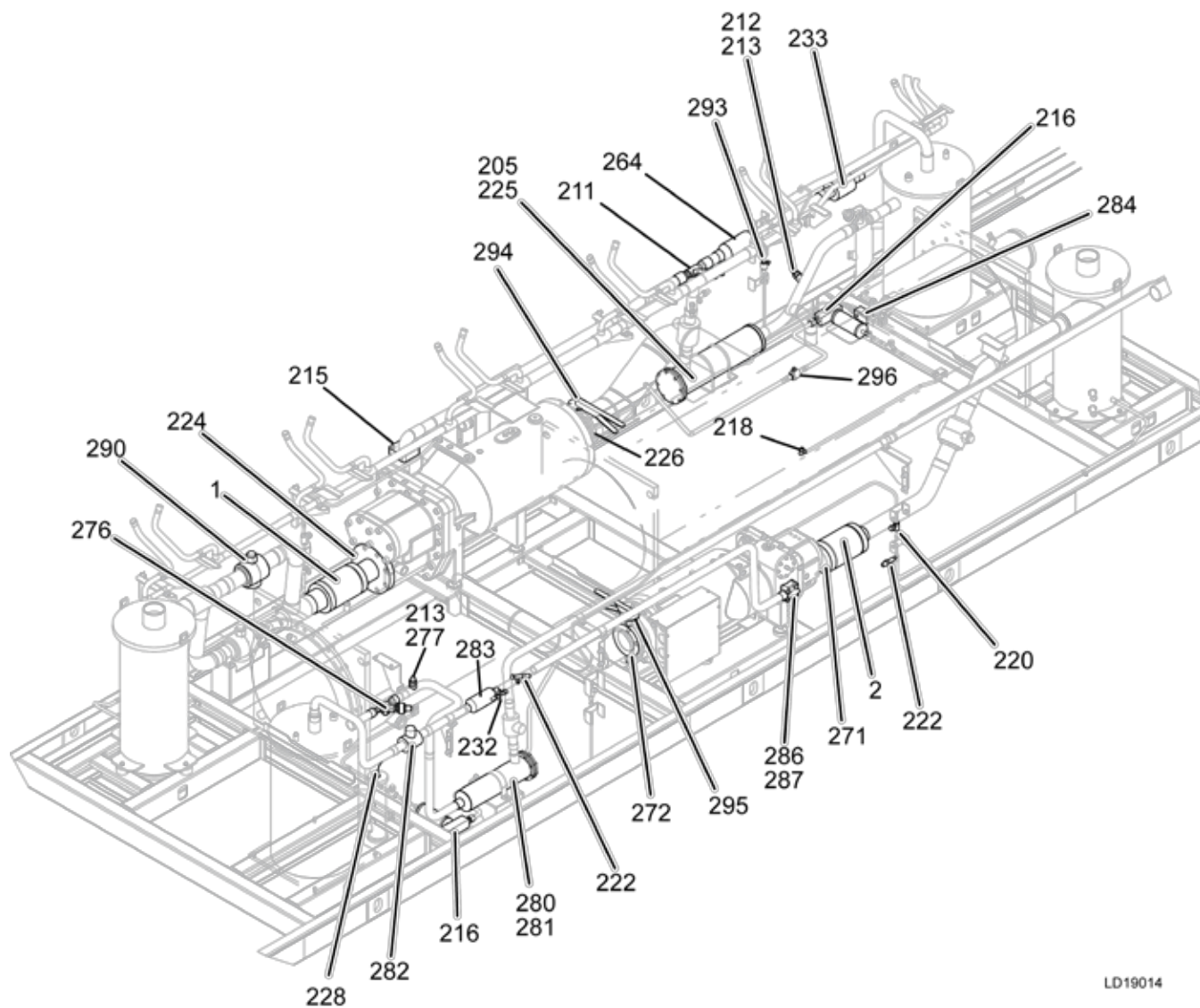


FIGURE 51 - PIPING ASSEMBLY 0398 / 1388

**TABLE 58 - PIPING ASSEMBLY 0413 / 1443**

ITEM	PIN 35 =	PIN 50 =	DESCRIPTION	PART NUMBER	SAP NUMBER	QTY	FIGURE
1	All	All	Muffler, Straight Discharge	392-03546-000	862591	1	52
2	All	All	Muffler	375-58655-000	577037	1	52
205	All	All	Dehydrator Less Cores	026-46933-000	862505	1	52
211	All	All	Valve, Expansion Electronic	025-45017-000	862504	2	52
212	All	All	Indicator Moist Liquid Body	026-46935-000	862506	2	52
213	All	All	Indicator Moist Liquid Cap	026-32800-000	740799	4	52
215	All	All	Economiser Weld Flange	392-07086-000	862604	1	52
216	All	All	Eductor Assembly	375-79597-000	549137	2	52
			Block, Oil Eductor	026-46625-000	741320	2	
			Filter Drier 3/8 Orfs	026-37563-000	740969	2	
			O-Ring Neo1 00.364id .070thk M	028-12961-012	618648	8	
			O-Ring Neo1 00.924id .116thk M	028-12961-006	588821	2	
			O-Ring Neo1 00.739id .070thk M	028-12961-015	618651	2	
218	All	A, B, C, E or P M or N	Fitting, 37 Deg Flared Tube	023-18945-000	556321	6 4	52
220	F S or X	All	Valve, Ball, 1/2" OD (C X C)	022-09172-000	731238	4 2	52
222	All	All	Valve, Charging Brass	022-09754-000	391983	6	52
224	All	All	Gasket, Round, 6" Flange, ANSI	028-15965-003	1082279	1	52
225	All	All	Cig Dehy 100 Percent Molecular	026-46952-000	862507	3	52
226	X	All	Gasket, Round, 6" Flange, ANSI	028-15965-002	862508	1	52
228	All	All	Switch, Liquid Level	025-43324-101	636214	2	52
232	All	All	Valve, Transducer, 1/4" NPTF 3/8" ODS 1/4" FI	022-12370-000	837987	2	52
233	F S or X	All	Valve, Ball, 2-1/8" ODS Conn	022-09752-000	731278	3 2	52
234	All	All	Valve, Shut-Off Ball	022-11325-000	444576	3	52
264	All	All	Valve, Check Magnetic, 2-1/8"	022-12249-000	862499	1	52
271	All	All	Gasket, Flange, 3-5/8" ID 5.75 BC	028-15296-000	636248	1	52
272	X	All	Gasket, Round Flange, ANSI 300 #	028-15965-001	742176	1	52
276	All	All	Valve, Expansion Electronic	025-44027-000	740403	2	52
277	All	All	Indicator Moist Liquid Body	026-32399-000	740784	2	52
278	F or S	All	Valve, Butterfly, Size 6	022-10641-006	116118	1	52
279	F or S	All	Valve, Butterfly, Size 5	022-10641-005	147048	1	52
280	All	All	Dehydrator Less Cores	026-16960-000	740681	1	52
281	All	All	Ctg Dehy 100 Percent Molecular	026-37540-000	740964	3	52
282	F S or X	All	Valve, Ball, 1-5/8" ODS Conn	022-08883-000	731236	2 1	52
283	All	All	Valve, Check, 1-5/8"	022-12037-000	577074	1	52
284	All	All	Valve	022-09779-000	731283	1	52
286	All	All	Valve, Angle Compr	022-11358-000	731384	1	52
287	All	All	Plug, Pipe, 1/4" NPTE Square	023-01195-000	711235	1	52
289	All	All	Valve, Ball, 3/8" ODS Conn	022-11906-000	695896	2	52
290	F	All	Valve, Ball, 3/4" ODS	022-09580-000	48288	2	52

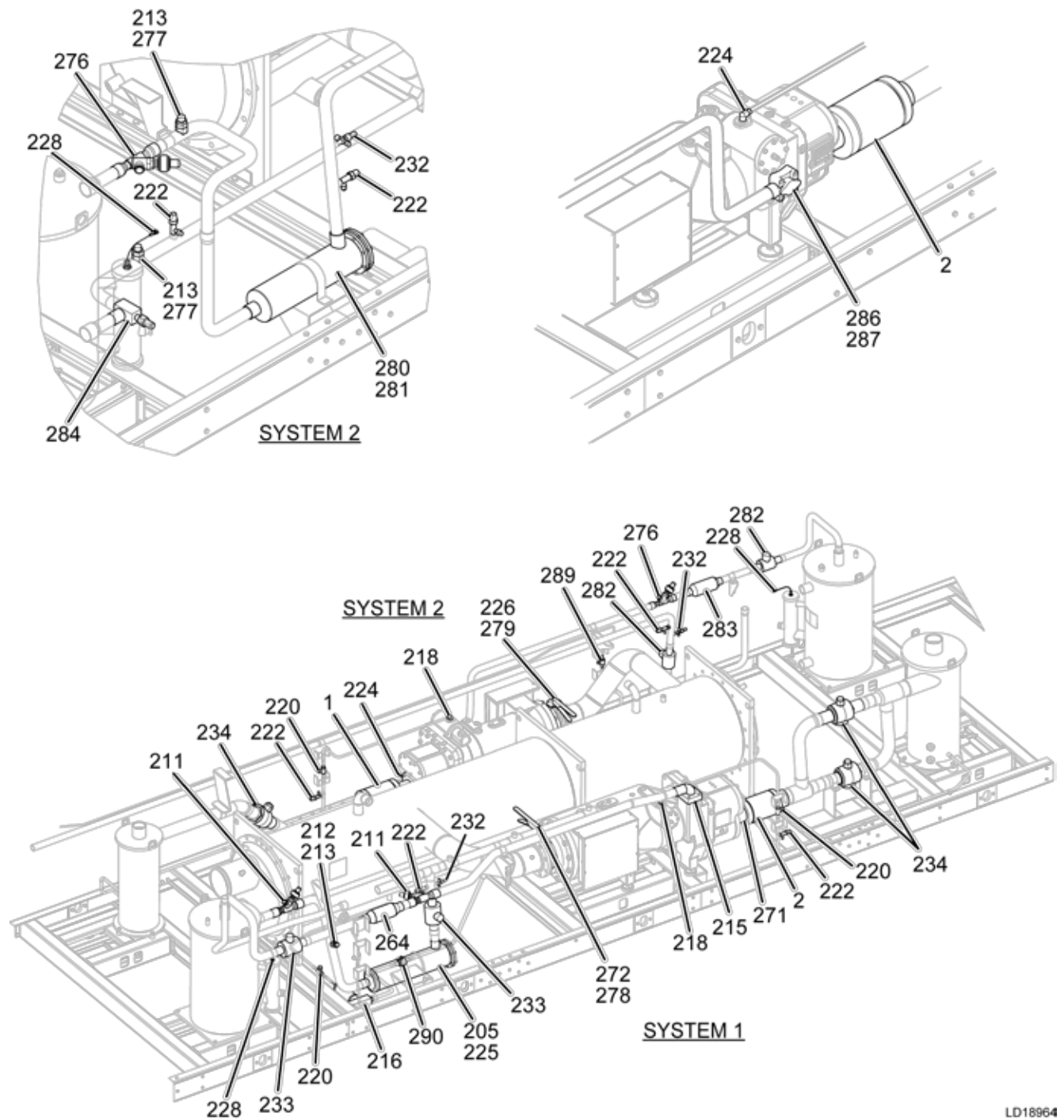


FIGURE 52 - PIPING ASSEMBLY 0413 / 1443

**TABLE 59 - PIPING ASSEMBLY 0425 / 1515**

ITEM	PIN 35 =	PIN 50 =	DESCRIPTION	PART NUMBER	SAP NUMBER	QTY	FIGURE
1	All	All	Muffler, Straight Discharge	392-03546-000	862591	1	53
2	All	All	Muffler	375-58655-000	577037	1	53
205	All	All	Dehydrator Less Cores	026-46933-000	862505	1	53
211	All	All	Valve, Expansion Electronic	025-45017-000	862504	2	53
212	All	All	Indicator Moist Liquid Body	026-46935-000	862506	2	53
213	All	All	Indicator Moist Liquid Cap	026-32800-000	740799	4	53
215	All	All	Economiser, Weld Flange	392-07086-000	862604	1	53
216	All	All	Eductor Assembly	375-79597-000	549137	2	53
218	All	All	Fitting, 37 Deg Flared Tube	023-18945-000	556321	4	53
220	F	All	Valve, Ball, 1/2" OD (C X C)	022-09172-000	731238	4	53
	S or X					2	
222	All	All	Valve, Charging Brass	022-09754-000	391983	6	53
224	All	All	Gasket, Round, 6" Flange, ANSI	028-15965-003	1082279	1	53
225	All	All	Cig Dehy 100 Percent Molecular	026-46952-000	862507	3	53
226	X	All	Gasket, Round, 6" Flange, ANSI	028-15965-002	862508	1	53
228	All	All	Switch, Liquid Level	025-43324-101	636214	2	53
232	All	All	Valve, Transducer, 1/4" NPTF 3/8" ODS 1/4" FI	022-12370-000	837987	2	53
233	F	All	Valve, Ball, 2-1/8" ODS Conn	022-09752-000	731278	3	53
	S or X					2	
264	All	All	Valve, Check Magnetic, 2-1/8"	022-12249-000	862499	1	53
271	All	All	Gasket, Flange, 3-5/8" ID 5.75 BC	028-15296-000	636248	1	53
272	X	All	Gasket, Round Flange, ANSI 300 #	028-15965-001	742176	1	53
276	All	All	Valve, Expansion Electronic	025-44027-000	740403	2	53
277	All	All	Indicator Moist Liquid Body	026-32399-000	740784	2	53
280	All	All	Dehydrator Less Cores	026-16960-000	740681	1	53
281	All	All	Ctg Dehy 100 Percent Molecular	026-37540-000	740964	3	53
282	F	All	Valve, Ball, 1-5/8" ODS Conn	022-08883-000	731236	2	53
	S or X					1	
283	All	All	Valve, Check, 1-5/8"	022-12037-000	577074	1	53
284	All	All	Valve	022-09779-000	731283	1	53
286	All	All	Valve, Angle Compr	022-11358-000	731384	1	53
287	All	All	Plug, Pipe, 1/4" NPTE Square	023-01195-000	711235	1	53
290	All	All	Valve, Shut-Off Ball	022-11325-000	444576	3	53
293	All	All	Valve, Ball, 3/8" ODS Conn	022-11906-000	695896	2	53
294	F or S	All	Valve, Butterfly, Size 6	022-10641-006	116118	1	53
295	F or S	All	Valve, Butterfly, Size 5	022-10641-005	147048	1	53
296	F	All	Valve, Ball, 3/4" ODS	022-09580-000	48288	2	53

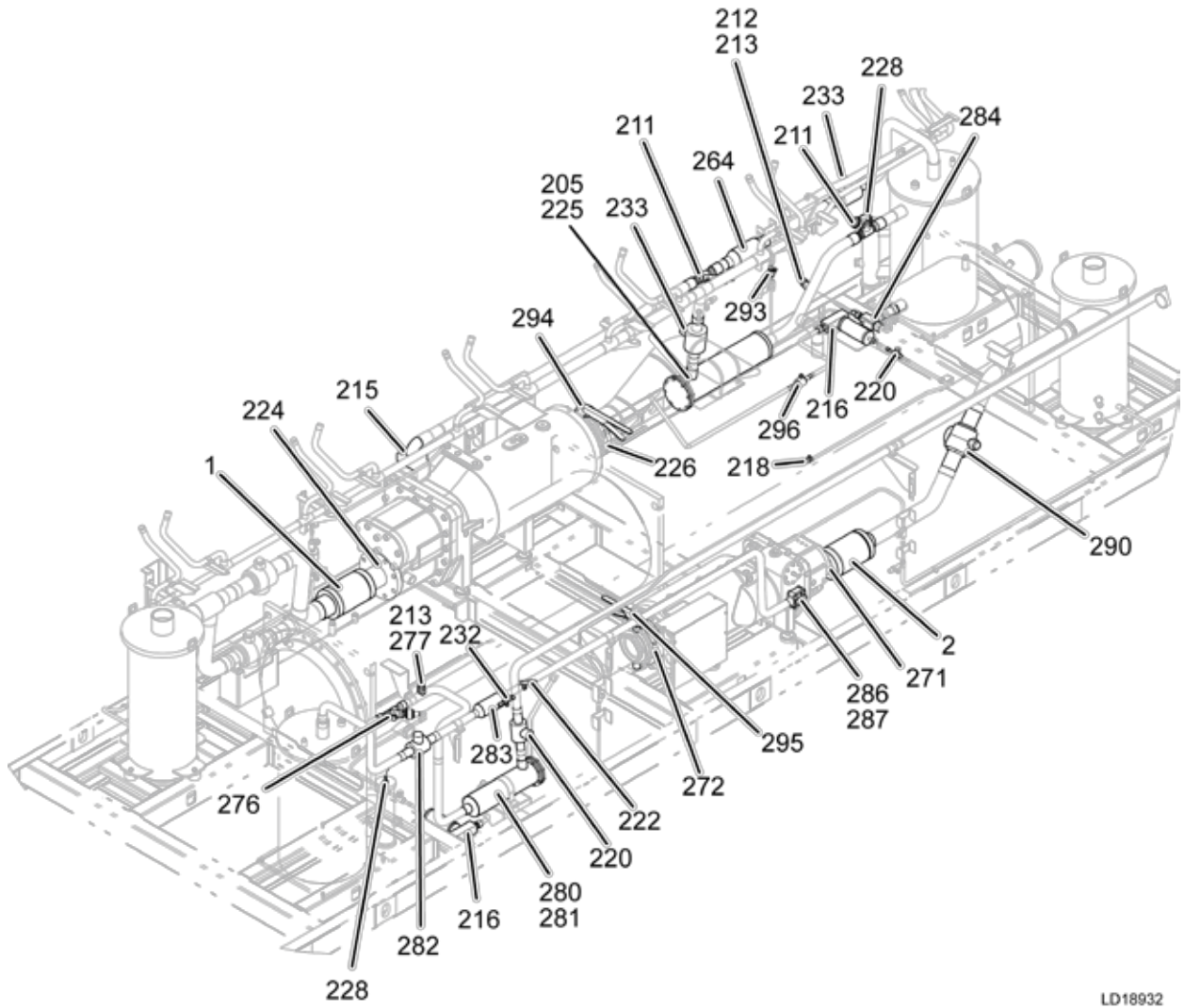


FIGURE 53 - PIPING ASSEMBLY 0425 / 1515

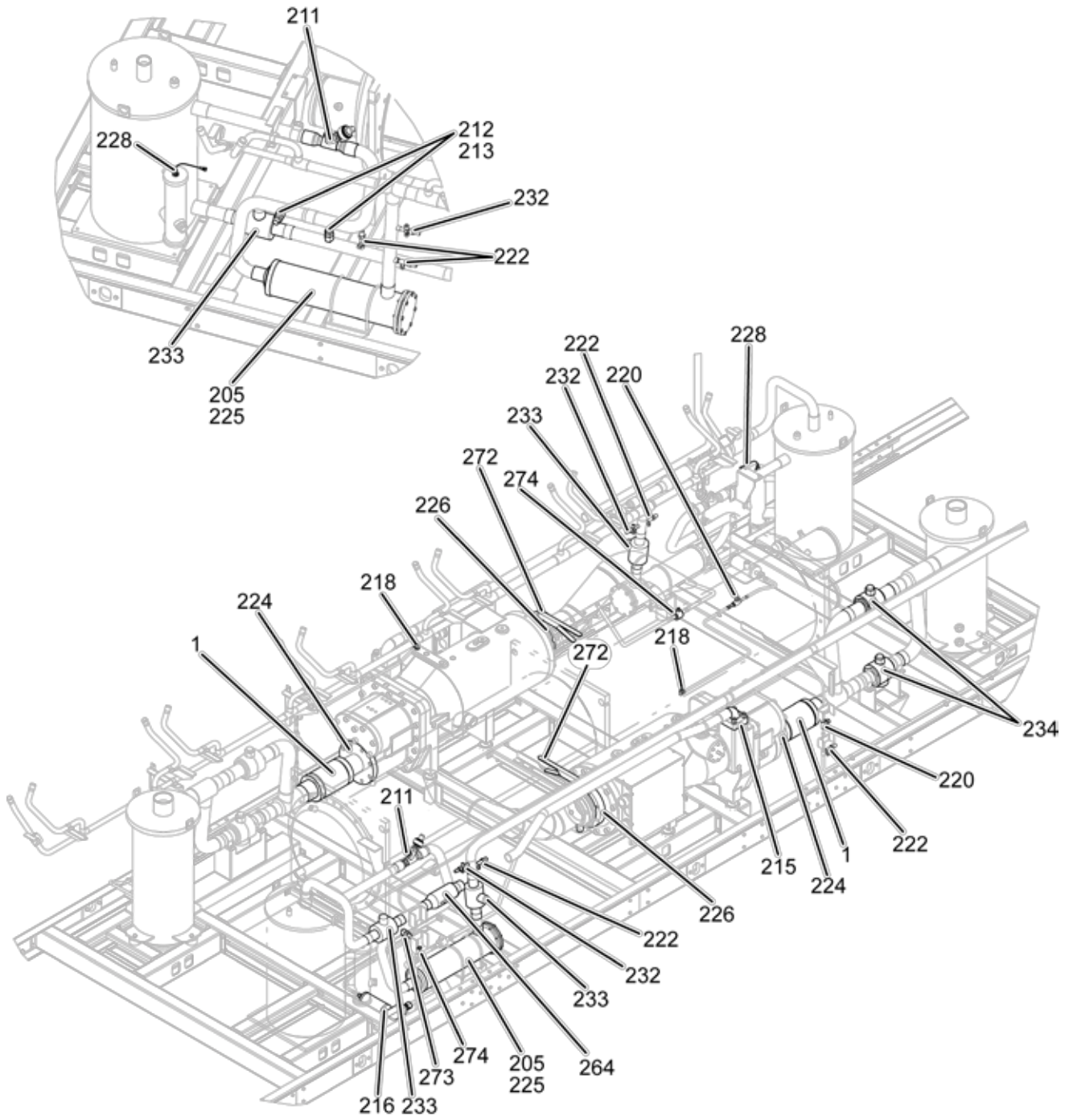
**TABLE 60 - PIPING ASSEMBLY 0428 / 1488**

ITEM	PIN 35 =	PIN 50 =	DESCRIPTION	PART NUMBER	SAP NUMBER	QTY	FIGURE
1	All	All	Muffler, Straight Discharge	392-03546-000	862591	1	54
2	All	All	Muffler	375-58655-000	577037	1	54
205	All	All	Dehydrator Less Cores	026-46933-000	862505	1	54
211	All	All	Valve, Expansion Electronic	025-45017-000	862504	2	54
212	All	All	Indicator Moist Liquid Body	026-46935-000	862506	2	54
213	All	All	Indicator Moist Liquid Cap	026-32800-000	740799	4	54
215	All	All	Economiser, Weld Flange	392-07086-000	862604	1	54
216	All	All	Eductor Assembly	375-79597-000	549137	2	54
218	All	All	Fitting, 37 Deg Flared Tube	023-18945-000	556321	4	54
220	F	All	Valve, Ball, 1/2" OD (C X C)	022-09172-000	731238	4	54
	S or X					2	
222	All	All	Valve, Charging Brass	022-09754-000	391983	6	54
224	All	All	Gasket, Round, 6" Flange, ANSI	028-15965-003	1082279	1	54
225	All	All	Cig Dehy 100 Percent Molecular	026-46952-000	862507	3	54
226	X	All	Gasket, Round, 6" Flange, ANSI	028-15965-002	862508	1	54
228	All	All	Switch, Liquid Level	025-43324-101	636214	2	54
232	All	All	Valve, Transducer, 1/4" NPTF 3/8" ODS 1/4" FI	022-12370-000	837987	2	54
233	F	All	Valve, Ball, 2-1/8" ODS Conn	022-09752-000	731278	3	54
	S or X					2	
264	All	All	Valve, Check Magnetic, 2-1/8"	022-12249-000	862499	1	54
271	All	All	Gasket, Flange, 3-5/8" ID 5.75 BC	028-15296-000	636248	1	54
272	X	All	Gasket, Round Flange, ANSI 300 #	028-15965-001	742176	1	54
276	All	All	Valve, Expansion Electronic	025-44027-000	740403	2	54
277	All	All	Indicator Moist Liquid Body	026-32399-000	740784	2	54
280	All	All	Dehydrator Less Cores	026-16960-000	740681	1	54
281	All	All	Ctg Dehy 100 Percent Molecular	026-37540-000	740964	3	54
282	F	All	Valve, Ball, 1-5/8" ODS Conn	022-08883-000	731236	2	54
	S or X					1	
283	All	All	Valve, Ball, 1-5/8" ODS Conn	022-12037-000	577074	1	54
284	All	All	Valve	022-09779-000	731283	1	54
286	All	All	Valve, Angle Compr	022-11358-000	731384	1	54
287	All	All	Plug, Pipe, 1/4" NPTE Square	023-01195-000	711235	1	54
290	All	All	Valve, Shut-Off Ball	022-11325-000	444576	3	54
293	All	All	Valve, Ball, 3/8" ODS Conn	022-11906-000	695896	2	54
294	F or S	All	Valve, Butterfly, Size 6	022-10641-006	116118	1	54
295	F or S	All	Valve, Butterfly, Size 5	022-10641-005	147048	1	54
296	F	All	Valve, Ball, 3/4" ODS	022-09580-000	48288	2	54



**TABLE 61 - PIPING ASSEMBLY 0443 / 1543**

ITEM	PIN 35 =	PIN 50 =	DESCRIPTION	PART NUMBER	SAP NUMBER	QTY	FIGURE
1	All	All	Muffler	392-03546-000	862591	2	55
205	All	All	Dehydrator Less Cores	026-46933-000	862505	2	55
211	All	All	Valve, Expansion Electronic	025-45017-000	862504	4	55
212	All	All	Indicator Moist Liquid Body	026-46935-000	862506	4	55
213	All	All	Indicator Moist Liquid Cap	026-32800-000	740799	4	55
215	All	All	Economiser, Weld Flange	392-07086-000	862604	2	55
216	All	All	Eductor Assembly	375-79597-000	549137	2	55
			Block, Oil Eductor	026-46625-000	741320	2	
			Filter Drier 3/8 Orfs	026-37563-000	740969	2	
			O-Ring Neo1 00.364id .070thk M	028-12961-012	618648	8	
			O-Ring Neo1 00.924id .116thk M	028-12961-006	588821	2	
			O-Ring Neo1 00.739id .070thk M	028-12961-015	618651	2	
218	All	A, B, C, E or P M or N	Fitting, 37 Deg Flared Tube	023-18945-000	556321	6 4	55
220	F S or X	All	Valve, Ball, 1/2" OD (C X C)	022-09172-000	731238	4 2	55
222	All	All	Valve, Charging Brass	022-09754-000	391983	6	55
224	All	All	Gasket, Round, 6" Flange, ANSI	028-15965-003	1082279	2	55
225	All	All	Cig Dehy 100 Percent Molecular	026-46952-000	862507	6	55
226	X	All	Gasket, Round, 6" Flange, ANSI	028-15965-002	862508	2	55
228	All	All	Switch, Liquid Level	025-43324-101	636214	2	55
232	All	All	Valve, Transducer, 1/4" NPTF 3/8" ODS 1/4" FI	022-12370-000	837987	2	55
233	F S or X	All	Valve, Ball, 2-1/8" ODS Conn	022-09752-000	731278	6 4	55
234	All	All	Valve, Shut-Off Ball	022-11325-000	444576	4	55
264	All	All	Valve, Check, Magnetic, 2-1/8"	022-12249-000	862499	2	55
272	F or S	All	Valve, Butterfly, Size 6	022-10641-006	116118	2	55
273	All	All	Valve, Ball, 3/8" ODS Conn	022-11906-000	695896	2	55
274	F	All	Valve, Ball, 3/4" ODS	022-09580-000	48288	2	55

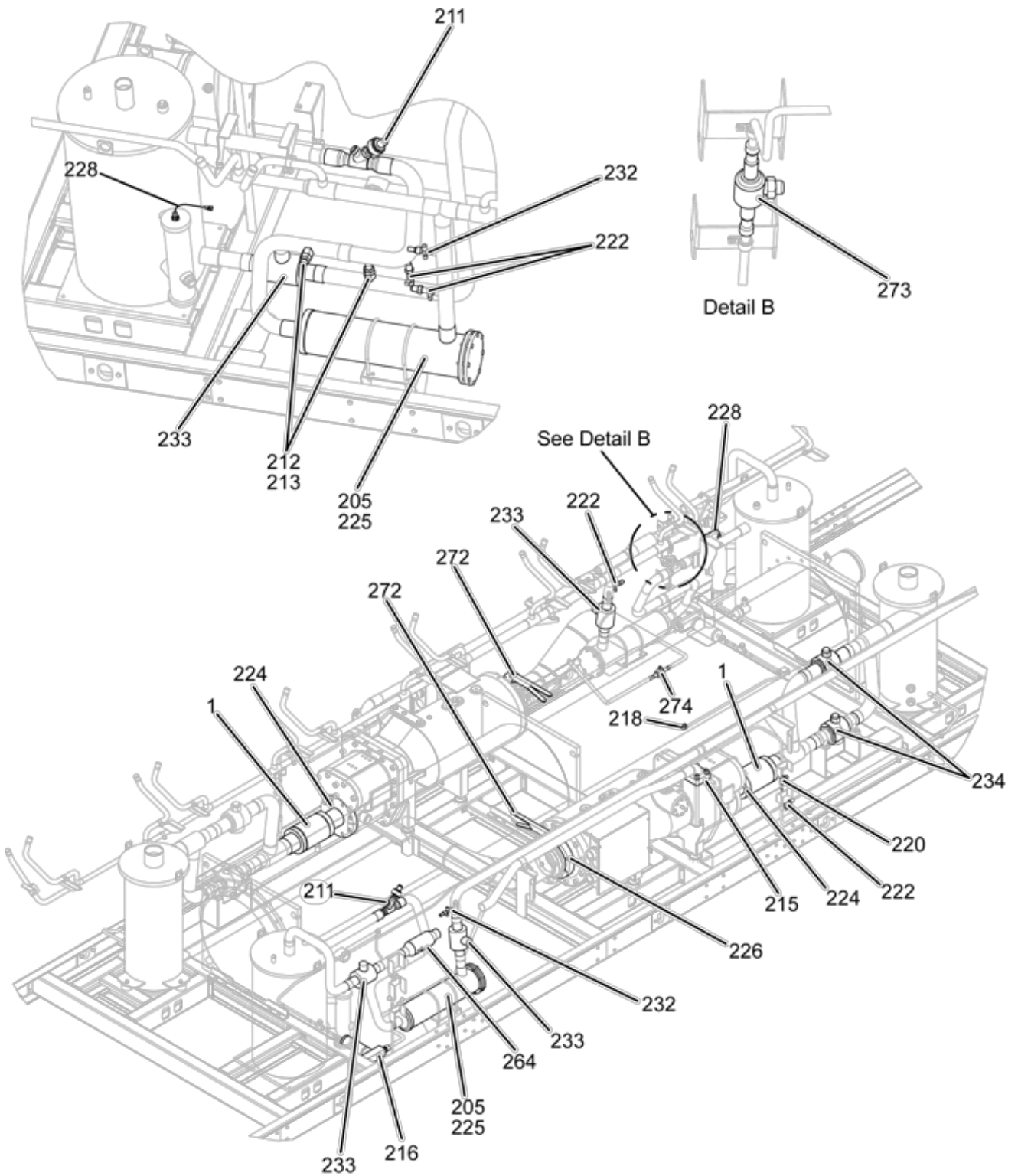


LD17359

**FIGURE 55 - PIPING ASSEMBLY 0443 / 1543**

**TABLE 62 - PIPING ASSEMBLY 0475 / 1665**

ITEM	PIN 35 =	PIN 50 =	DESCRIPTION	PART NUMBER	SAP NUMBER	QTY	FIGURE
1	All	All	Muffler	392-03546-000	862591	2	56
4	All	All	Kit, Evaporator Waterbox Drain	392-07157-000	900408	1	56
205	All	All	Dehydrator Less Cores	026-46933-000	862505	2	56
211	All	All	Valve, Expansion Electronic	025-45017-000	862504	4	56
212	All	All	Indicator Moist Liquid Body	026-46935-000	862506	4	56
213	All	All	Indicator Moist Liquid Cap	026-32800-000	740799	4	56
215	All	All	Economiser, Weld Flange	392-07086-000	862604	2	56
216	All	All	Eductor Assembly	375-79597-000	549137	2	56
			Block, Oil Eductor	026-46625-000	741320	2	
			Filter Drier 3/8 Orfs	026-37563-000	740969	2	
			O-Ring Neo1 00.364id .070thk M	028-12961-012	618648	8	
			O-Ring Neo1 00.924id .116thk M	028-12961-006	588821	2	
			O-Ring Neo1 00.739id .070thk M	028-12961-015	618651	2	
218	All	All	Fitting, 37 Deg Flared Tube	023-18945-000	556321	4	56
220	F	All	Valve, Ball, 1/2" OD (C X C)	022-09172-000	731238	4	56
	S or X					2	
222	All	All	Valve, Charging Brass	022-09754-000	391983	6	56
224	All	All	Gasket, Round, 6" Flange, ANSI	028-15965-003	1082279	2	56
225	All	All	Cig Dehy 100 Percent Molecular	026-46952-000	862507	6	56
226	X	All	Gasket, Round, 6" Flange, ANSI	028-15965-002	862508	2	56
228	All	All	Switch, Liquid Level	025-43324-101	636214	2	56
232	All	All	Valve, Transducer, 1/4" NPTF 3/8" ODS 1/4" FI	022-12370-000	837987	2	56
233	F	All	Valve, Ball, 2-1/8" ODS Conn	022-09752-000	731278	6	56
	S or X					4	
234	All	All	Valve, Shut-Off Ball	022-11325-000	444576	4	56
264	All	All	Valve, Check, Magnetic, 2-1/8"	022-12249-000	862499	2	56
272	F or S	All	Valve, Butterfly, Size 6	022-10641-006	116118	2	56
273	All	All	Valve, Ball, 3/8" ODS Conn	022-11906-000	695896	2	56
274	F	All	Valve, Ball, 3/4" ODS	022-09580-000	48288	2	56

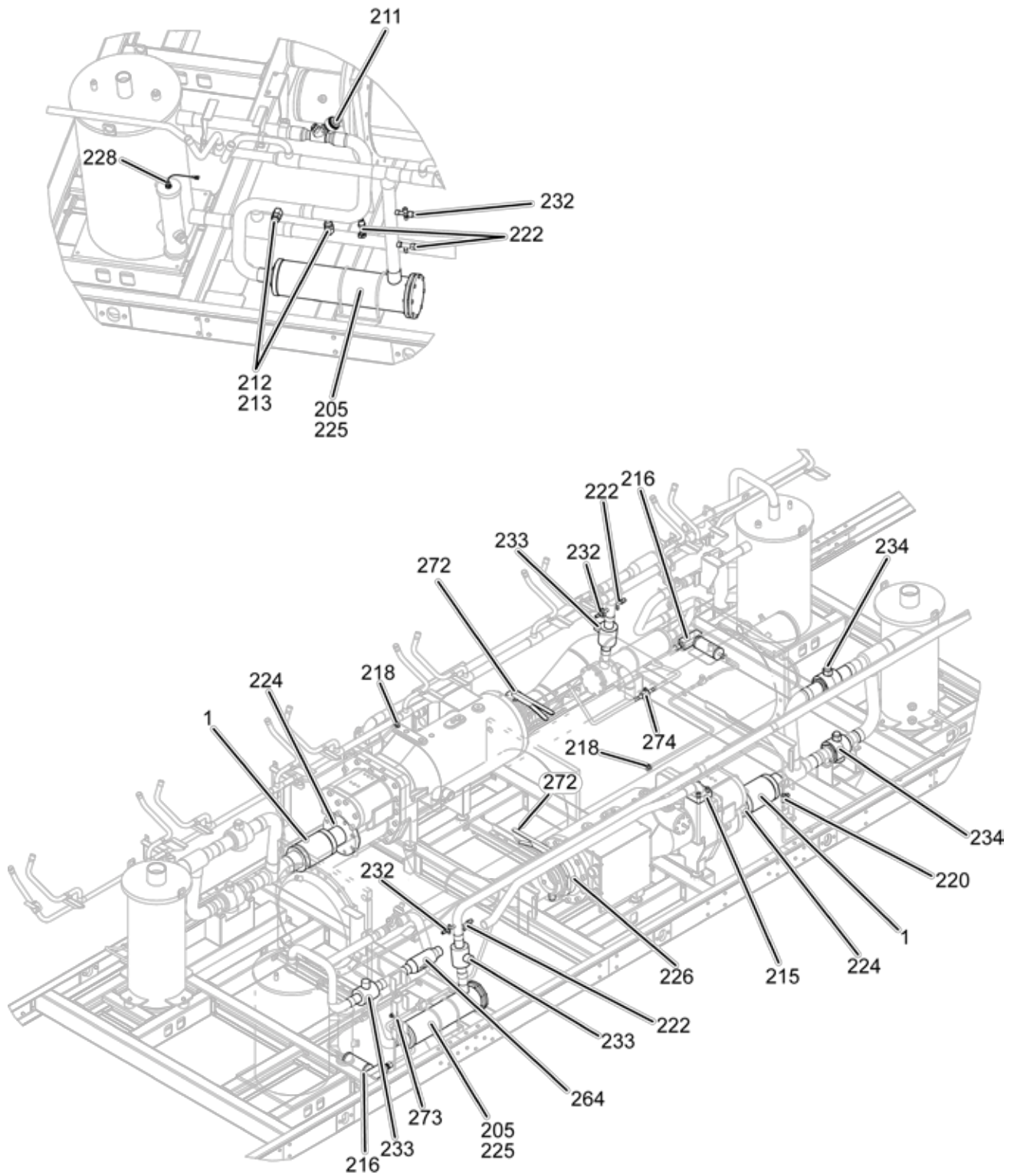


LD17360

FIGURE 56 - PIPING ASSEMBLY 0475 / 1665

**TABLE 63 - PIPING ASSEMBLY 0483 / 1693**

ITEM	PIN 35 =	PIN 50 =	DESCRIPTION	PART NUMBER	SAP NUMBER	QTY	FIGURE
1	All	All	Muffler	392-03546-000	862591	2	57
205	All	All	Dehydrator Less Cores	026-46933-000	862505	2	57
211	All	All	Valve, Expansion Electronic	025-45017-000	862504	4	57
212	All	All	Indicator Moist Liquid Body	026-46935-000	862506	4	57
213	All	All	Indicator Moist Liquid Cap	026-32800-000	740799	4	57
215	All	All	Economiser, Weld Flange	392-07086-000	862604	2	57
216	All	All	Eductor Assembly	375-79597-000	549137	2	57
			Block, Oil Eductor	026-46625-000	741320	2	
			Filter Drier 3/8 Orfs	026-37563-000	740969	2	
			O-Ring Neo1 00.364id .070thk M	028-12961-012	618648	8	
			O-Ring Neo1 00.924id .116thk M	028-12961-006	588821	2	
			O-Ring Neo1 00.739id .070thk M	028-12961-015	618651	2	
218	All	A, B, C, E or P M or N	Fitting, 37 Deg Flared Tube	023-18945-000	556321	6 4	57
220	F S or X	All	Valve, Ball, 1/2" OD (C X C)	022-09172-000	731238	4 2	57
222	All	All	Valve, Charging Brass	022-09754-000	391983	6	57
224	All	All	Gasket, Round, 6" Flange, ANSI	028-15965-003	1082279	2	57
225	All	All	Cig Dehy 100 Percent Molecular	026-46952-000	862507	6	57
226	X	All	Gasket, Round, 6" Flange, ANSI	028-15965-002	862508	2	57
228	All	All	Switch, Liquid Level	025-43324-101	636214	2	57
232	All	All	Valve, Transducer, 1/4" NPTF 3/8" ODS 1/4" FI	022-12370-000	837987	2	57
233	F S or X	All	Valve, Ball, 2-1/8" ODS Conn	022-09752-000	731278	6 4	57
234	All	All	Valve, Shut-Off Ball	022-11325-000	444576	4	57
264	All	All	Valve, Check, 2-1/8"	022-12249-000	862499	2	57
272	F or S	All	Valve, Butterfly, Size 6	022-10641-006	116118	2	57
273	All	All	Valve, Ball, 3/8" ODS Conn	022-11906-000	695896	2	57
274	F	All	Valve, Ball, 3/4" ODS	022-09580-000	48288	2	57

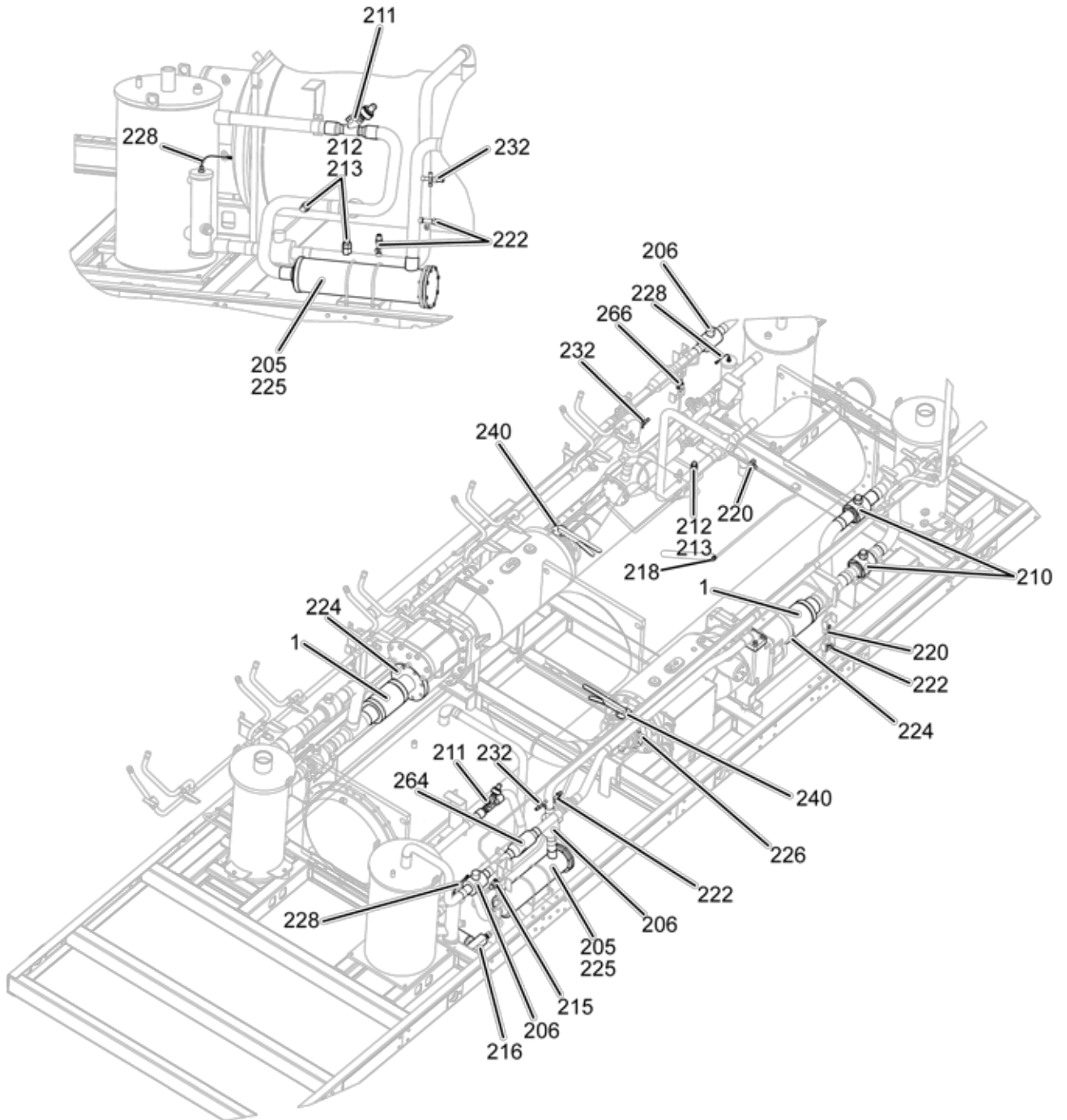


LD17361

**FIGURE 57 - PIPING ASSEMBLY 0483 / 1693**

**TABLE 64 - PIPING ASSEMBLY 0500 / 1700**

ITEM	PIN 35 =	PIN 50 =	DESCRIPTION	PART NUMBER	SAP NUMBER	QTY	FIGURE
1	All	All	Muffler, Straight Discharge	392-03546-000	862591	2	58
4	All	All	Kit, Evaporator Waterbox Drain	392-07157-000	900408	1	58
205	All	All	Dehydrator Less Cores	026-46933-000	862505	2	58
206	F	All	Valve, Ball, 2-1/8" ODS Conn	022-09752-000	731278	6	58
	S or X					4	
210	All	All	Valve, Shut-Off Ball	022-11325-000	444576	4	58
211	All	All	Valve, Expansion Electronic	025-45017-000	862504	4	58
212	All	All	Indicator Moist Liquid Body	026-46935-000	862506	4	58
213	All	All	Indicator Moist Liquid Cap	026-32800-000	740799	4	58
215	F	All	Valve, Ball, 3/4" ODS	022-09580-000	48288	2	58
216	All	All	Eductor Assembly	375-79597-000	549137	2	58
			Block, Oil Eductor	026-46625-000	741320	2	
			Filter Drier 3/8 Orfs	026-37563-000	740969	2	
			O-Ring Neo1 00.364id .070thk M	028-12961-012	618648	8	
			O-Ring Neo1 00.924id .116thk M	028-12961-006	588821	2	
			O-Ring Neo1 00.739id .070thk M	028-12961-015	618651	2	
218	All	A, B, C, E or P	Fitting, 37 Deg Flared Tube	023-18945-000	556321	6	58
		M or N				4	
220	F	All	Valve, Ball, 1/2" OD (C X C)	022-09172-000	731238	4	58
	S or X					2	
222	All	All	Valve, Charging Brass	022-09754-000	391983	6	58
224	All	All	Gasket, Round, 6" Flange, ANSI	028-15965-003	1082279	2	58
225	All	All	Cig Dehy 100 Percent Molecular	026-46952-000	862507	6	58
226	X	All	Gasket, Round, 6" Flange, ANSI	028-15965-002	862508	2	58
228	All	All	Switch, Liquid Level	025-43324-101	636214	2	58
232	All	All	Valve, Transducer, 1/4" NPTF 3/8" ODS 1/4" FI	022-12370-000	837987	2	58
240	F or S	All	Valve, Butterfly, Size 6	022-10641-006	116118	2	58
264	All	All	Valve, Check Magnetic, 2-1/8"	022-12249-000	862499	2	58
266	All	All	Valve, Ball, 3/8" ODS Conn	022-11906-000	695896	2	58

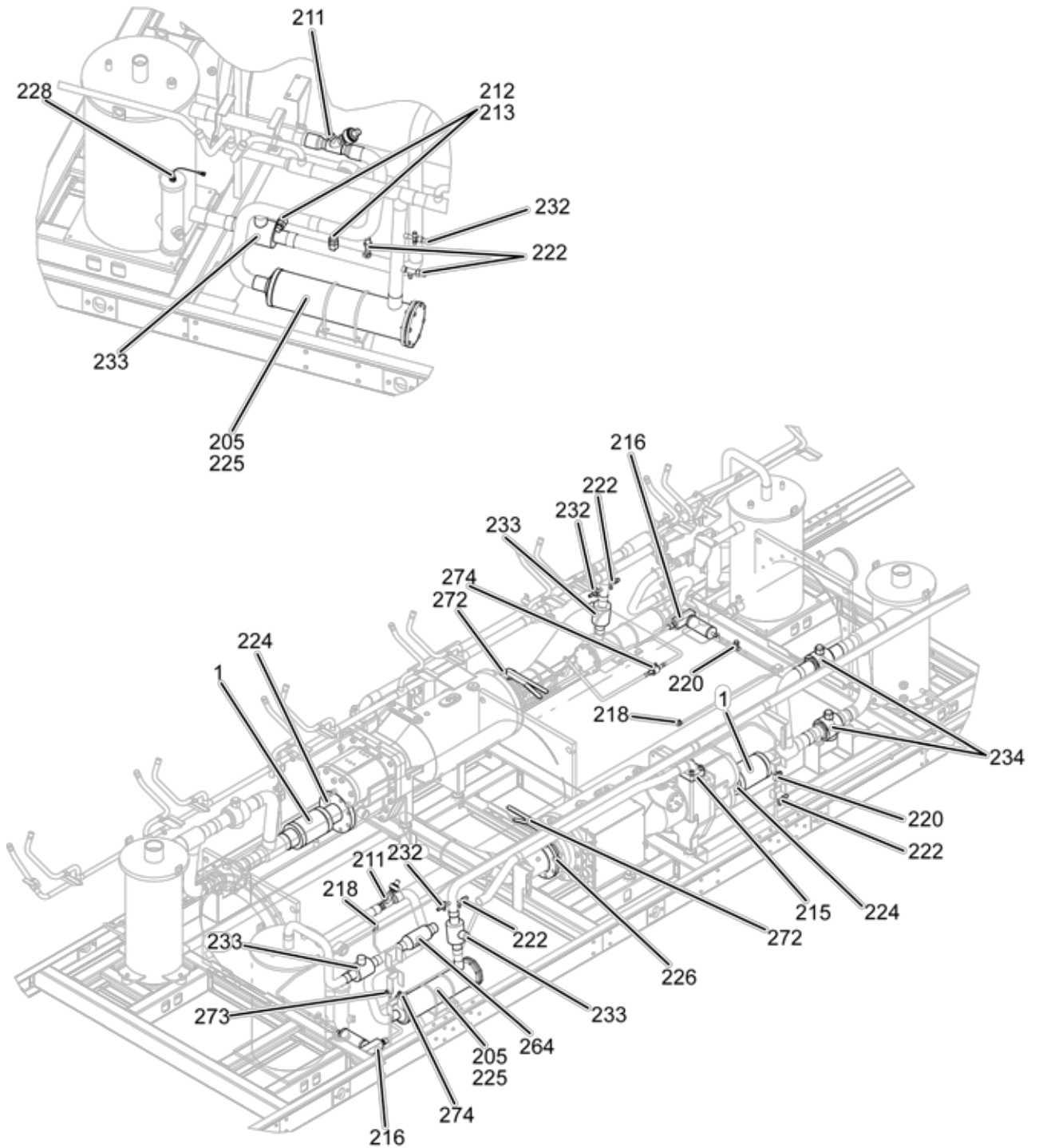


LD17362

**FIGURE 58 - PIPING ASSEMBLY 0500 / 1700**

**TABLE 65 - PIPING ASSEMBLY 0523 / 1843**

ITEM	PIN 35 =	PIN 50 =	DESCRIPTION	PART NUMBER	SAP NUMBER	QTY	FIGURE
1	All	All	Muffler, Straight Discharge	392-03546-000	862591	2	59
4	All	All	Kit, Evaporator Waterbox Drain	392-07157-000	900408	1	59
205	All	All	Dehydrator Less Cores	026-46933-000	862505	2	59
211	All	All	Valve, Expansion Electronic	025-45017-000	862504	4	59
212	All	All	Indicator Moist Liquid Body	026-46935-000	862506	4	59
213	All	All	Indicator Moist Liquid Cap	026-32800-000	740799	4	59
215	All	All	Economiser, Weld Flange	392-07086-000	862604	2	59
216	All	All	Eductor Assembly	375-79597-000	549137	2	59
			Block, Oil Eductor	026-46625-000	741320	2	
			Filter Drier 3/8 Orfs	026-37563-000	740969	2	
			O-Ring Neo1 00.364id .070thk M	028-12961-012	618648	8	
			O-Ring Neo1 00.924id .116thk M	028-12961-006	588821	2	
			O-Ring Neo1 00.739id .070thk M	028-12961-015	618651	2	
218	All	A, B, C, E or P M or N	Fitting, 37 Deg Flared Tube	023-18945-000	556321	6 4	59
220	F S or X	All	Valve, Ball, 1/2" OD (C X C)	022-09172-000	731238	4 2	59
222	All	All	Valve, Charging Brass	022-09754-000	391983	6	59
224	All	All	Gasket, Round, 6" Flange, ANSI	028-15965-003	1082279	2	59
225	All	All	Cig Dehy 100 Percent Molecular	026-46952-000	862507	6	59
226	X	All	Gasket, Round, 6" Flange, ANSI	028-15965-002	862508	2	59
228	All	All	Switch, Liquid Level	025-43324-101	636214	2	59
232	All	All	Valve, Transducer, 1/4" NPTF 3/8" ODS 1/4" FI	022-12370-000	837987	2	59
233	F S or X	All	Valve, Ball, 2-1/8" ODS Conn	022-09752-000	731278	6 4	59
234	All	All	Valve, Shut-Off Ball	022-11325-000	444576	4	59
264	All	All	Valve, Check, 2-1/8"	022-12249-000	862499	2	59
272	F or S	All	Valve, Butterfly, Size 6	022-10641-006	116118	2	59
273	All	All	Valve, Ball, 3/8" ODS Conn	022-11906-000	695896	2	59
274	F	All	Valve, Ball, 3/4" ODS	022-09580-000	48288	2	59

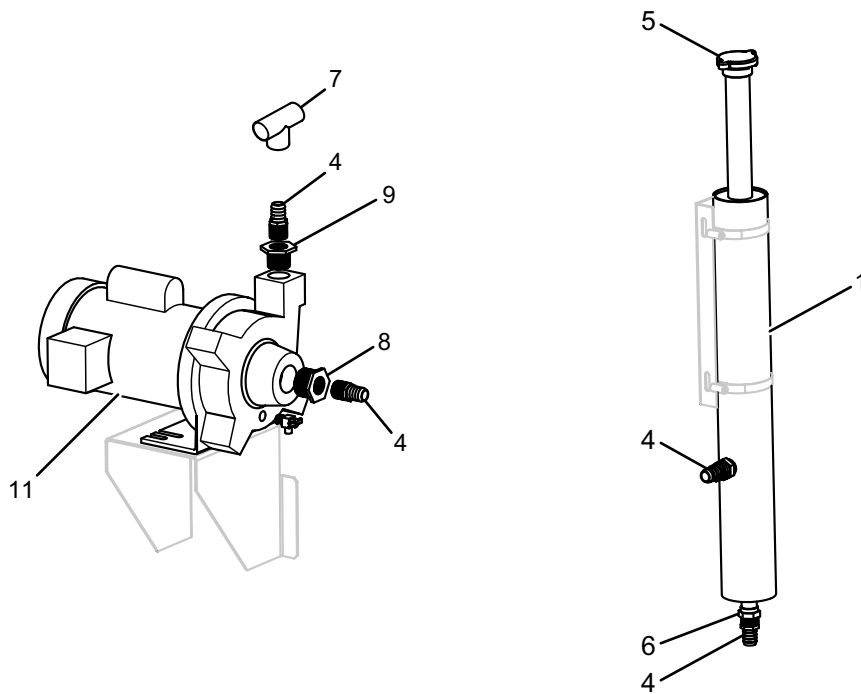


LD17363

**FIGURE 59 - PIPING ASSEMBLY 0523 / 1843**

**TABLE 66 - GLYCOL LOOP COMPONENTS**

ITEM	MODELS	DESCRIPTION	PART NUMBER	SAP NUMBER	FIGURE
1	0153/0543 - 0523/1843	Tube Glycol Stand Pipe	075-55649-000	753125	60
4	0153/0543 - 0523/1843	Fitting, Hose Barb	023-21929-000	553490	60
5	0153/0543 - 0523/1843	Cap, Radiator	023-21927-000	251502	60
6	0153/0543 - 0523/1843	Adpt, Sld 7/8 x 3/4	023-00092-000	562520	60
7	0153/0543 - 0523/1843	Tee, Barbed 3/4 X 3/4 X 3/4	023-22526-000	733653	60
8	0153/0543 - 0523/1843	Bushing, Hex 1-1/4 X 3/4 Steel	023-21935-000	553492	60
9	0153/0543 - 0523/1843	Bushing, Hex 1 X 3/4 Steel	023-21934-000	553493	60
11	0153/0543 - 0523/1843	Pump, Single Stage Centrifugal (60Hz)	026-41611-000	741049	60
	0153/0543 - 0345/1215, 0398/1388 - 0523/1843	Pump, Single Stage Centrifugal (50Hz)	026-41611-001	359986	
	0368/1288, 0373/1343, 0375/1315	Pump, Single Stage Centrifugal (50Hz)	026-41611-002	1045701	



LD18981

**FIGURE 60 - GLYCOL LOOP COMPONENTS**

**TABLE 67 - STANDARD COMPRESSOR (PIN 12 & 13 = 40, 42, 50, PIN 20 = X, PIN 38 = S)**

MODEL	DESCRIPTION	PART NUMBER	SAP NUMBER	QUANTITY
0153/0543	COMPR SCREW CTS24SBAD400/200(C	364-50820-400	681339	2
0183/0643	COMPR SCREW CTS36SBAD400/200(A	364-50821-400	681338	1
	COMPR SCREW CTS24SBAD400/200(C	364-50820-400	681339	1
0213/0743	COMPR SCREW CTS36SBAD400/200(A	364-50821-400	681338	2
0233/0843	COMPR SCREW CTS45SBAD400/200(B	364-50822-400	693651	1
	COMPR SCREW CTS36SBAD400/200(A	364-50821-400	681338	1
0263/0943	COMPR SCREW CTS45SBAD400/200(B	364-50822-400	693651	2
0273/0963	COMPR SCREW CTS45SBAD400/200(B	364-50822-400	693651	2
0303/1093	COMPR SCREW CTS51SAAD400/200	364-51906-400	706468	1
	COMPR SCREW CTS45SBAD400/200(B	364-50822-400	693651	1
0323/1143	COMPR SCREW CTS51SAAD400/200	364-51906-400	706468	2
0333/1173	COMPR SCREW CTS51SAAD400/200	364-51906-400	706468	2
0343/1193	COMPR SCREW CTS51SAAD400/200	364-51906-400	706468	2
0373/1343	COMPR SCREW	364-53085-400	872547	1
	COMPR SCREW CTS45SBAD400/200(B	364-50822-400	693651	1
0413/1443	COMPR SCREW	364-53085-400	872547	1
	COMPR SCREW CTS51SAAD400/200	364-51906-400	706468	1
0443/1543	COMPR SCREW	364-53085-400	872547	2
0483/1693	COMPR SCREW	364-53085-400	872547	2
0523/1843	COMPR SCREW	364-53085-400	872547	2
0165/0565	COMPR SCREW CTS24SBAD400/200(C	364-50820-400	681339	2
0195/0665	COMPR SCREW CTS36SBAD400/200(A	364-50821-400	681338	1
	COMPR SCREW CTS24SBAD400/200(C	364-50820-400	681339	1
0215/0765	COMPR SCREW CTS36SBAD400/200(A	364-50821-400	681338	2
0245/0865	COMPR SCREW CTS45SBAD400/200(B	364-50822-400	693651	1
	COMPR SCREW CTS36SBAD400/200(A	364-50821-400	681338	1
0275/0965	COMPR SCREW CTS45SBAD400/200(B	364-50822-400	693651	2
0295/1015	COMPR SCREW CTS51SAAD400/200	364-51906-400	706468	1
	COMPR SCREW CTS45SBAD400/200(B	364-50822-400	693651	1
0305/1065	COMPR SCREW CTS51SAAD400/200	364-51906-400	706468	1
	COMPR SCREW CTS45SBAD400/200(B	364-50822-400	693651	1
0345/1215	COMPR SCREW CTS51SAAD400/200	364-51906-400	706468	2
0375/1315	COMPR SCREW	364-53085-400	872547	1
	COMPR SCREW CTS45SBAD400/200(B	364-50822-400	693651	1
0425/1515	COMPR SCREW	364-53085-400	872547	1
	COMPR SCREW CTS51SAAD400/200	364-51906-400	706468	1
0475/1665	COMPR SCREW	364-53085-400	872547	2
0178/0588	COMPR SCREW CTS24SBAD400/200(C	364-50820-400	681339	2
0198/0688	COMPR SCREW CTS36SBAD400/200(A	364-50821-400	681338	1
	COMPR SCREW CTS24SBAD400/200(C	364-50820-400	681339	1
0218/0788	COMPR SCREW CTS36SBAD400/200(A	364-50821-400	681338	2
0248/0888	COMPR SCREW CTS45SBAD400/200(B	364-50822-400	693651	1
	COMPR SCREW CTS36SBAD400/200(A	364-50821-400	681338	1
0278/0988	COMPR SCREW CTS45SBAD400/200(B	364-50822-400	693651	2

**FIGURE 67 - STANDARD COMPRESSOR (PIN 12 & 13 = 40, 42, 50, PIN 20 = X, PIN 38 = S) (CONT'D)**

MODEL	DESCRIPTION	PART NUMBER	SAP NUMBER	QUANTITY
0308/1088	COMPR SCREW CTS51SAAD400/200	364-51906-400	706468	1
	COMPR SCREW CTS45SBAD400/200(B	364-50822-400	693651	1
0318/1188	COMPR SCREW CTS51SAAD400/200	364-51906-400	706468	1
	COMPR SCREW CTS45SBAD400/200(B	364-50822-400	693651	1
0368/1288	COMPR SCREW	364-53085-400	872547	1
	COMPR SCREW CTS45SBAD400/200(B	364-50822-400	693651	1
0398/1388	COMPR SCREW	364-53085-400	872547	1
	COMPR SCREW CTS51SAAD400/200	364-51906-400	706468	1
0428/1488	COMPR SCREW	364-53085-400	872547	1
	COMPR SCREW CTS51SAAD400/200	364-51906-400	706468	1
0200/0700	COMPR SCREW CTS36SBAD400/200(A	364-50821-400	681338	2
0500/1700	COMPR SCREW	364-53085-400	872547	2

**TABLE 68 - OPTIMIZED COMPRESSOR (PIN 12 & 13 = 40, 42, 50, PIN 20 = X, PIN 38 = V)**

MODEL	DESCRIPTION	PART NUMBER	SAP NUMBER	QUANTITY
0153/0543	COMPR SCREW CTS24DBAD400/200C	364-50820-401	770875	2
0183/0643	COMPR SCREW CTS36DBAD400/200A	364-50821-401	770882	1
	COMPR SCREW CTS24DBAD400/200C	364-50820-401	770875	1
0213/0743	COMPR SCREW CTS36DBAD400/200A	364-50821-401	770882	2
0233/0843	COMPR SCREW CTS45DBAD400/200(B	364-50822-401	770889	1
	COMPR SCREW CTS36DBAD400/200A	364-50821-401	770882	1
0263/0943	COMPR SCREW CTS45DBAD400/200(B	364-50822-401	770889	2
0273/0963	COMPR SCREW CTS45DBAD400/200(B	364-50822-401	770889	2
0303/1093	COMPR SCREW CTS51SBAD400/200	364-51906-401	770936	1
	COMPR SCREW CTS45DBAD400/200(B	364-50822-401	770889	1
0323/1143	COMPR SCREW CTS51SBAD400/200	364-51906-401	770936	2
0333/1173	COMPR SCREW CTS51SBAD400/200	364-51906-401	770936	2
0343/1193	COMPR SCREW CTS51SBAD400/200	364-51906-401	770936	2
0373/1343	COMPR SCREW	364-53085-401	872548	1
	COMPR SCREW CTS45DBAD400/200(B	364-50822-401	770889	1
0413/1443	COMPR SCREW	364-53085-401	872548	1
	COMPR SCREW CTS51SBAD400/200	364-51906-401	770936	1
0443/1543	COMPR SCREW	364-53085-401	872548	2
0483/1693	COMPR SCREW	364-53085-401	872548	2
0523/1843	COMPR SCREW	364-53085-401	872548	2
0165/0565	COMPR SCREW CTS24DBAD400/200C	364-50820-401	770875	2
0195/0665	COMPR SCREW CTS36DBAD400/200A	364-50821-401	770882	1
	COMPR SCREW CTS24DBAD400/200C	364-50820-401	770875	1
0215/0765	COMPR SCREW CTS36DBAD400/200A	364-50821-401	770882	2
0245/0865	COMPR SCREW CTS45DBAD400/200(B	364-50822-401	770889	1
	COMPR SCREW CTS36DBAD400/200A	364-50821-401	770882	1
0275/0965	COMPR SCREW CTS45DBAD400/200(B	364-50822-401	770889	2
0295/1015	COMPR SCREW CTS51SBAD400/200	364-51906-401	770936	1
	COMPR SCREW CTS45DBAD400/200(B	364-50822-401	770889	1

**TABLE 68 - OPTIMIZED COMPRESSOR (PIN 12 & 13 = 40, 42, 50, PIN 20 = X, PIN 38 = V) (CONT'D)**

MODEL	DESCRIPTION	PART NUMBER	SAP NUMBER	QUANTITY
0305/1065	COMPR SCREW CTS51SBAD400/200	364-51906-401	770936	1
	COMPR SCREW CTS45DBAD400/200(B	364-50822-401	770889	1
0345/1215	COMPR SCREW CTS51SBAD400/200	364-51906-401	770936	2
0375/1315	COMPR SCREW	364-53085-401	872548	1
	COMPR SCREW CTS45DBAD400/200(B	364-50822-401	770889	1
0425/1515	COMPR SCREW	364-53085-401	872548	1
	COMPR SCREW CTS51SBAD400/200	364-51906-401	770936	1
0475/1665	COMPR SCREW	364-53085-401	872548	2
0178/0588	COMPR SCREW CTS24DBAD400/200C	364-50820-401	770875	2
0198/0688	COMPR SCREW CTS36DBAD400/200A	364-50821-401	770882	1
	COMPR SCREW CTS24DBAD400/200C	364-50820-401	770875	1
0218/0788	COMPR SCREW CTS36DBAD400/200A	364-50821-401	770882	2
0248/0888	COMPR SCREW CTS45DBAD400/200(B	364-50822-401	770889	1
	COMPR SCREW CTS36DBAD400/200A	364-50821-401	770882	1
0278/0988	COMPR SCREW CTS45DBAD400/200(B	364-50822-401	770889	2
0308/1088	COMPR. SCREW CTS51SBAD400/200	364-51906-401	770936	1
	COMPR SCREW CTS45DBAD400/200(B	364-50822-401	770889	1
0318/1188	COMPR SCREW CTS51SBAD400/200	364-51906-401	770936	1
	COMPR SCREW CTS45DBAD400/200(B	364-50822-401	770889	1
0368/1288	COMPR SCREW	364-53085-401	872548	1
	COMPR SCREW CTS45DBAD400/200(B	364-50822-401	770889	1
0398/1388	COMPR SCREW	364-53085-401	872548	1
	COMPR SCREW CTS51SBAD400/200	364-51906-401	770936	1
0428/1488	COMPR SCREW	364-53085-401	872548	1
	COMPR SCREW CTS51SBAD400/200	364-51906-401	770936	1
0200/0700	COMPR SCREW CTS36DBAD400/200A	364-50821-401	770882	2
0500/1700	COMPR SCREW	364-53085-401	872548	2

**TABLE 69 - STANDARD COMPRESSOR WITH HIGH AMBIENT KIT  
(PIN 12 & 13 = 40, 42, 50, PIN 20 = H, PIN 38 = S)**

MODEL	DESCRIPTION	PART NUMBER	SAP NUMBER	QUANTITY
0153/0543	COMPR SCREW CTS24LBAD400/200	364-50820-402	770876	2
0183/0643	COMPR SCREW CTS36LBAD400/200	364-50821-402	770883	1
	COMPR SCREW CTS24LBAD400/200	364-50820-402	770876	1
0213/0743	COMPR SCREW CTS36LBAD400/200	364-50821-402	770883	2
0233/0843	COMPR SCREW CTS45LBAD400/200	364-50822-402	770890	1
	COMPR SCREW CTS36LBAD400/200	364-50821-402	770883	1
0263/0943	COMPR SCREW CTS45LBAD400/200	364-50822-402	770890	2
0273/0963	COMPR SCREW CTS45LBAD400/200	364-50822-402	770890	2
0165/0565	COMPR SCREW CTS24LBAD400/200	364-50820-402	770876	2
0195/0665	COMPR SCREW CTS36LBAD400/200	364-50821-402	770883	1
	COMPR SCREW CTS24LBAD400/200	364-50820-402	770876	1
0215/0765	COMPR SCREW CTS36LBAD400/200	364-50821-402	770883	2
0245/0865	COMPR SCREW CTS45LBAD400/200	364-50822-402	770890	1
	COMPR SCREW CTS36LBAD400/200	364-50821-402	770883	1

**TABLE 69 - STANDARD COMPRESSOR WITH HIGH AMBIENT KIT**  
 (PIN 12 & 13 = 40, 42, 50, PIN 20 = H, PIN 38 = S) (CONT'D)

MODEL	DESCRIPTION	PART NUMBER	SAP NUMBER	QUANTITY
0275/0965	COMPR SCREW CTS45LBAD400/200	364-50822-402	770890	2
0178/0588	COMPR SCREW CTS24LBAD400/200	364-50820-402	770876	2
0198/0688	COMPR SCREW CTS36LBAD400/200	364-50821-402	770883	1
	COMPR SCREW CTS24LBAD400/200	364-50820-402	770876	1
0218/0788	COMPR SCREW CTS36LBAD400/200	364-50821-402	770883	2
0248/0888	COMPR SCREW CTS45LBAD400/200	364-50822-402	770890	1
	COMPR SCREW CTS36LBAD400/200	364-50821-402	770883	1
0278/0988	COMPR SCREW CTS45LBAD400/200	364-50822-402	770890	2
0200/0700	COMPR SCREW CTS36LBAD400/200	364-50821-402	770883	2

**TABLE 70 - OPTIMIZED COMPRESSOR WITH HIGH AMBIENT KIT**  
 (PIN 12 & 13 = 40, 42, 50, PIN 20= H, PIN 38 = V)

MODEL	DESCRIPTION	PART NUMBER	SAP NUMBER	QUANTITY
0153/0543	COMPR SCREW CTS24MBAD400/200	364-50820-403	770877	2
0183/0643	COMPR SCREW CTS36MBAD400/200	364-50821-403	770884	1
	COMPR SCREW CTS24MBAD400/200	364-50820-403	770877	1
0213/0743	COMPR SCREW CTS36MBAD400/200	364-50821-403	770884	1
0233/0843	COMPR SCREW CTS45MBAD400/200	364-50822-403	770891	1
	COMPR SCREW CTS36MBAD400/200	364-50821-403	770884	1
0263/0943	COMPR SCREW CTS45MBAD400/200	364-50822-403	770891	2
0273/0963	COMPR SCREW CTS45MBAD400/200	364-50822-403	770891	2
0165/0565	COMPR SCREW CTS24MBAD400/200	364-50820-403	770877	2
0195/0665	COMPR SCREW CTS36MBAD400/200	364-50821-403	770884	1
	COMPR SCREW CTS24MBAD400/200	364-50820-403	770877	1
0215/0765	COMPR SCREW CTS36MBAD400/200	364-50821-403	770884	1
0245/0865	COMPR SCREW CTS45MBAD400/200	364-50822-403	770891	1
	COMPR SCREW CTS36MBAD400/200	364-50821-403	770884	1
0275/0965	COMPR SCREW CTS45MBAD400/200	364-50822-403	770891	2
0178/0588	COMPR SCREW CTS24MBAD400/200	364-50820-403	770877	2
0198/0688	COMPR SCREW CTS36MBAD400/200	364-50821-403	770884	1
	COMPR SCREW CTS24MBAD400/200	364-50820-403	770877	1
0218/0788	COMPR SCREW CTS36MBAD400/200	364-50821-403	770884	1
0248/0888	COMPR SCREW CTS45MBAD400/200	364-50822-403	770891	1
	COMPR SCREW CTS36MBAD400/200	364-50821-403	770884	1
0278/0988	COMPR SCREW CTS45MBAD400/200	364-50822-403	770891	2
0200/0700	COMPR SCREW CTS36MBAD400/200	364-50821-403	770884	2

**TABLE 71 - STANDARD COMPRESSOR (PIN 12 & 13 = 17, 28, 46, 58 PIN 20= X, PIN 38 = S)**

MODEL	DESCRIPTION	PART NUMBER	SAP NUMBER	QUANTITY
0153/0543	COMPR SCREW CTS24SAAD460/200(C	364-50820-460	770878	2
0183/0643	COMPR SCREW CTS36SAAD460/200(A	364-50821-460	770885	1
	COMPR SCREW CTS24SAAD460/200(C	364-50820-460	770878	1
0213/0743	COMPR SCREW CTS36SAAD460/200(A	364-50821-460	770885	2
0233/0843	COMPR SCREW CTS45SAAD460/200(B	364-50822-460	770892	1
	COMPR SCREW CTS36SAAD460/200(A	364-50821-460	770885	1
0263/0943	COMPR SCREW CTS45SAAD460/200(B	364-50822-460	770892	2
0273/0963	COMPR SCREW CTS45SAAD460/200(B	364-50822-460	770892	2
0303/1093	COMPR SCREW CTS51SAAD460/200	364-51906-460	770937	1
	COMPR SCREW CTS45SAAD460/200(B	364-50822-460	770892	1
0323/1143	COMPR SCREW CTS51SAAD460/200	364-51906-460	770937	2
0333/1173	COMPR SCREW CTS51SAAD460/200	364-51906-460	770937	2
0343/1193	COMPR SCREW CTS51SAAD460/200	364-51906-460	770937	2
0373/1343	COMPR SCREW	364-53085-460	872549	1
	COMPR SCREW CTS45SAAD460/200(B	364-50822-460	770892	1
0413/1443	COMPR SCREW	364-53085-460	872549	1
	COMPR SCREW CTS51SAAD460/200	364-51906-460	770937	1
0443/1543	COMPR SCREW	364-53085-460	872549	2
0483/1693	COMPR SCREW	364-53085-460	872549	2
0523/1843	COMPR SCREW	364-53085-460	872549	2
0165/0565	COMPR SCREW CTS24SAAD460/200(C	364-50820-460	770878	2
0195/0665	COMPR SCREW CTS36SAAD460/200(A	364-50821-460	770885	1
	COMPR SCREW CTS24SAAD460/200(C	364-50820-460	770878	1
0215/0765	COMPR SCREW CTS36SAAD460/200(A	364-50821-460	770885	2
0245/0865	COMPR SCREW CTS45SAAD460/200(B	364-50822-460	770892	1
	COMPR SCREW CTS36SAAD460/200(A	364-50821-460	770885	1
0275/0965	COMPR SCREW CTS45SAAD460/200(B	364-50822-460	770892	2
0295/1015	COMPR SCREW CTS51SAAD460/200	364-51906-460	770937	1
	COMPR SCREW CTS45SAAD460/200(B	364-50822-460	770892	1
0305/1065	COMPR SCREW CTS51SAAD460/200	364-51906-460	770937	1
	COMPR SCREW CTS45SAAD460/200(B	364-50822-460	770892	1
0345/1215	COMPR SCREW CTS51SAAD460/200	364-51906-460	770937	2
0375/1315	COMPR SCREW	364-53085-460	872549	1
	COMPR SCREW CTS45SAAD460/200(B	364-50822-460	770892	1
0425/1515	COMPR SCREW	364-53085-460	872549	1
	COMPR SCREW CTS51SAAD460/200	364-51906-460	770937	1
0475/1665	COMPR SCREW	364-53085-460	872549	2
0178/0588	COMPR SCREW CTS24SAAD460/200(C	364-50820-460	770878	2
0198/0688	COMPR SCREW CTS36SAAD460/200(A	364-50821-460	770885	1
	COMPR SCREW CTS24SAAD460/200(C	364-50820-460	770878	1
0218/0788	COMPR SCREW CTS36SAAD460/200(A	364-50821-460	770885	2
0248/0888	COMPR SCREW CTS45SAAD460/200(B	364-50822-460	770892	1
	COMPR SCREW CTS36SAAD460/200(A	364-50821-460	770885	1
0278/0988	COMPR SCREW CTS45SAAD460/200(B	364-50822-460	770892	2

**TABLE 71 - STANDARD COMPRESSOR (PIN 12 & 13 = 17, 28, 46, 58 PIN 20= X, PIN 38 = S) (CONT'D)**

MODEL	DESCRIPTION	PART NUMBER	SAP NUMBER	QUANTITY
0308/1088	COMPR SCREW CTS51SAAD460/200	364-51906-460	770937	1
	COMPR SCREW CTS45SAAD460/200(B	364-50822-460	770892	1
0318/1188	COMPR SCREW CTS51SAAD460/200	364-51906-460	770937	1
	COMPR SCREW CTS45SAAD460/200(B	364-50822-460	770892	1
0368/1288	COMPR SCREW	364-53085-460	872549	1
	COMPR SCREW CTS45SAAD460/200(B	364-50822-460	770892	1
0398/1388	COMPR SCREW	364-53085-460	872549	1
	COMPR SCREW CTS51SAAD460/200	364-51906-460	770937	1
0428/1488	COMPR SCREW	364-53085-460	872549	1
	COMPR SCREW CTS51SAAD460/200	364-51906-460	770937	1
0200/0700	COMPR SCREW CTS36SAAD460/200(A	364-50821-460	770885	2
0500/1700	COMPR SCREW	364-53085-460	872549	2

**TABLE 72 - OPTIMIZED COMPRESSOR (PIN 12 & 13 = 17, 28, 46, 58, PIN 20 = X, PIN 38 = V)**

MODEL	DESCRIPTION	PART NUMBER	SAP NUMBER	QUANTITY
0153/0543	COMPR SCREW CTS24DAAD460/200C	364-50820-461	770879	2
0183/0643	COMPR SCREW CTS36DAAD460/200A	364-50821-461	770886	1
	COMPR SCREW CTS24DAAD460/200C	364-50820-461	770879	1
0213/0743	COMPR SCREW CTS36DAAD460/200A	364-50821-461	770886	2
0233/0843	COMPR SCREW CTS45DAAD460/200B	364-50822-461	770893	1
	COMPR SCREW CTS36DAAD460/200A	364-50821-461	770886	1
0263/0943	COMPR SCREW CTS45DAAD460/200B	364-50822-461	770893	2
0273/0963	COMPR SCREW CTS45DAAD460/200B	364-50822-461	770893	2
0303/1093	COMPR SCREW CTS51SBAD460/200	364-51906-461	770938	1
	COMPR SCREW CTS45DAAD460/200B	364-50822-461	770893	1
0323/1143	COMPR SCREW CTS51SBAD460/200	364-51906-461	770938	2
0333/1173	COMPR SCREW CTS51SBAD460/200	364-51906-461	770938	2
0343/1193	COMPR SCREW CTS51SBAD460/200	364-51906-461	770938	2
0373/1343	COMPR SCREW	364-53085-461	872550	1
	COMPR SCREW CTS45DAAD460/200B	364-50822-461	770893	1
0413/1443	COMPR SCREW	364-53085-461	872550	1
	COMPR SCREW CTS51SBAD460/200	364-51906-461	770938	1
0443/1543	COMPR SCREW	364-53085-461	872550	2
0483/1693	COMPR SCREW	364-53085-461	872550	2
0523/1843	COMPR SCREW	364-53085-461	872550	2
0165/0565	COMPR SCREW CTS24DAAD460/200C	364-50820-461	770879	2
0195/0665	COMPR SCREW CTS36DAAD460/200A	364-50821-461	770886	1
	COMPR SCREW CTS24DAAD460/200C	364-50820-461	770879	1
0215/0765	COMPR SCREW CTS36DAAD460/200A	364-50821-461	770886	2
0245/0865	COMPR SCREW CTS45DAAD460/200B	364-50822-461	770893	1
	COMPR SCREW CTS36DAAD460/200A	364-50821-461	770886	1
0275/0965	COMPR SCREW CTS45DAAD460/200B	364-50822-461	770893	2
0295/1015	COMPR SCREW CTS51SBAD460/200	364-51906-461	770938	1
	COMPR SCREW CTS45DAAD460/200B	364-50822-461	770893	1

**TABLE 72 - OPTIMIZED COMPRESSOR (PIN 12 & 13 =17, 28, 46, 58, PIN 20 = X, PIN 38 = V) (CONT'D)**

MODEL	DESCRIPTION	PART NUMBER	SAP NUMBER	QUANTITY
0305/1065	COMPR SCREW CTS51SBAD460/200	364-51906-461	770938	1
	COMPR SCREW CTS45DAAD460/200B	364-50822-461	770893	1
0345/1215	COMPR SCREW CTS51SBAD460/200	364-51906-461	770938	2
0375/1315	COMPR SCREW	364-53085-461	872550	1
	COMPR SCREW CTS45DAAD460/200B	364-50822-461	770893	1
0425/1515	COMPR SCREW	364-53085-461	872550	1
	COMPR SCREW CTS51SBAD460/200	364-51906-461	770938	1
0475/1665	COMPR SCREW	364-53085-461	872550	2
0178/0588	COMPR SCREW CTS24DAAD460/200C	364-50820-461	770879	2
0198/0688	COMPR SCREW CTS36DAAD460/200A	364-50821-461	770886	1
	COMPR SCREW CTS24DAAD460/200C	364-50820-461	770879	1
0218/0788	COMPR SCREW CTS36DAAD460/200A	364-50821-461	770886	2
0248/0888	COMPR SCREW CTS45DAAD460/200B	364-50822-461	770893	1
	COMPR SCREW CTS36DAAD460/200A	364-50821-461	770886	1
0278/0988	COMPR SCREW CTS45DAAD460/200B	364-50822-461	770893	2
0308/1088	COMPR SCREW CTS51SBAD460/200	364-51906-461	770938	1
	COMPR SCREW CTS45DAAD460/200B	364-50822-461	770893	1
0318/1188	COMPR SCREW CTS51SBAD460/200	364-51906-461	770938	1
	COMPR SCREW CTS45DAAD460/200B	364-50822-461	770893	1
0368/1288	COMPR SCREW	364-53085-461	872550	1
	COMPR SCREW CTS45DAAD460/200B	364-50822-461	770893	1
0398/1388	COMPR SCREW	364-53085-461	872550	1
	COMPR SCREW CTS51SBAD460/200	364-51906-461	770938	1
0428/1488	COMPR SCREW	364-53085-461	872550	1
	COMPR SCREW CTS51SBAD460/200	364-51906-461	770938	1
0200/0700	COMPR SCREW CTS36DAAD460/200A	364-50821-461	770886	2
0500/1700	COMPR SCREW	364-53085-461	872550	2

**TABLE 73 - COMPRESSOR COMPONENTS**

ITEM	DESCRIPTION	PART NUMBER	QUANTITY	FIGURE
2	Nut, Hex Thick 7/16-20	021-19102-000	6	61
3	Bolt, Terminal (124/136/145)	021-19104-000	3	61
	Bolt, Terminal (151/170)	021-33190-000	3	
7	Washer, 7/16 ANSI Narrow	021-19117-000	3	61
9	Lockwasher, ASME 7/16	021-19619-000	3	61
20	Insulator, Bottom Terminal	025-33200-000	3	61
21	Insulator, Top Terminal	025-33201-000	3	61
22	Thermistor, 7/16-20 UNF-2A	025-33202-000	4	61
23	Strainer, Suction 4"	026-35600-100	1	61
	(124 364-50820-000/100)			
	(136 364-50821-000)			
	(145 364-50822-100)			
	Strainer, Suction 5"	026-35600-300		
	(124 364-50820-400/401)			
	(136 364-50821-400/401)			
	(145 364-50822-400/401)			
	(151 364-51906-000/001)	026-46129-000		
	Strainer, Suction 6"			
(170 364-53085-400/401)				
24	Element, Oil Filter	026-35601-000	1	61
25	O-ring, 2-152	028-13849-000	1	61
31	Seal, Terminal	028-13946-000	3	61

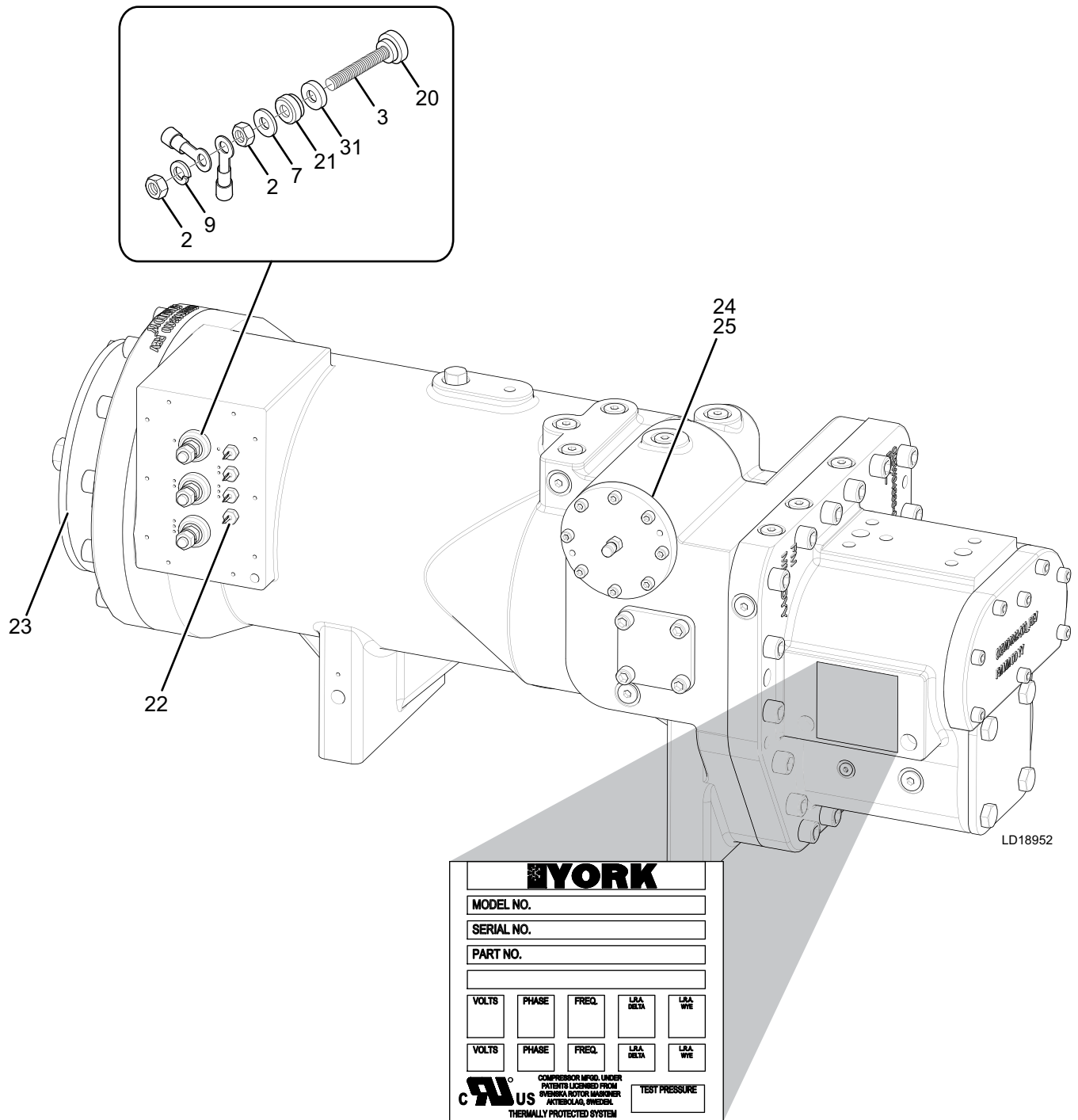
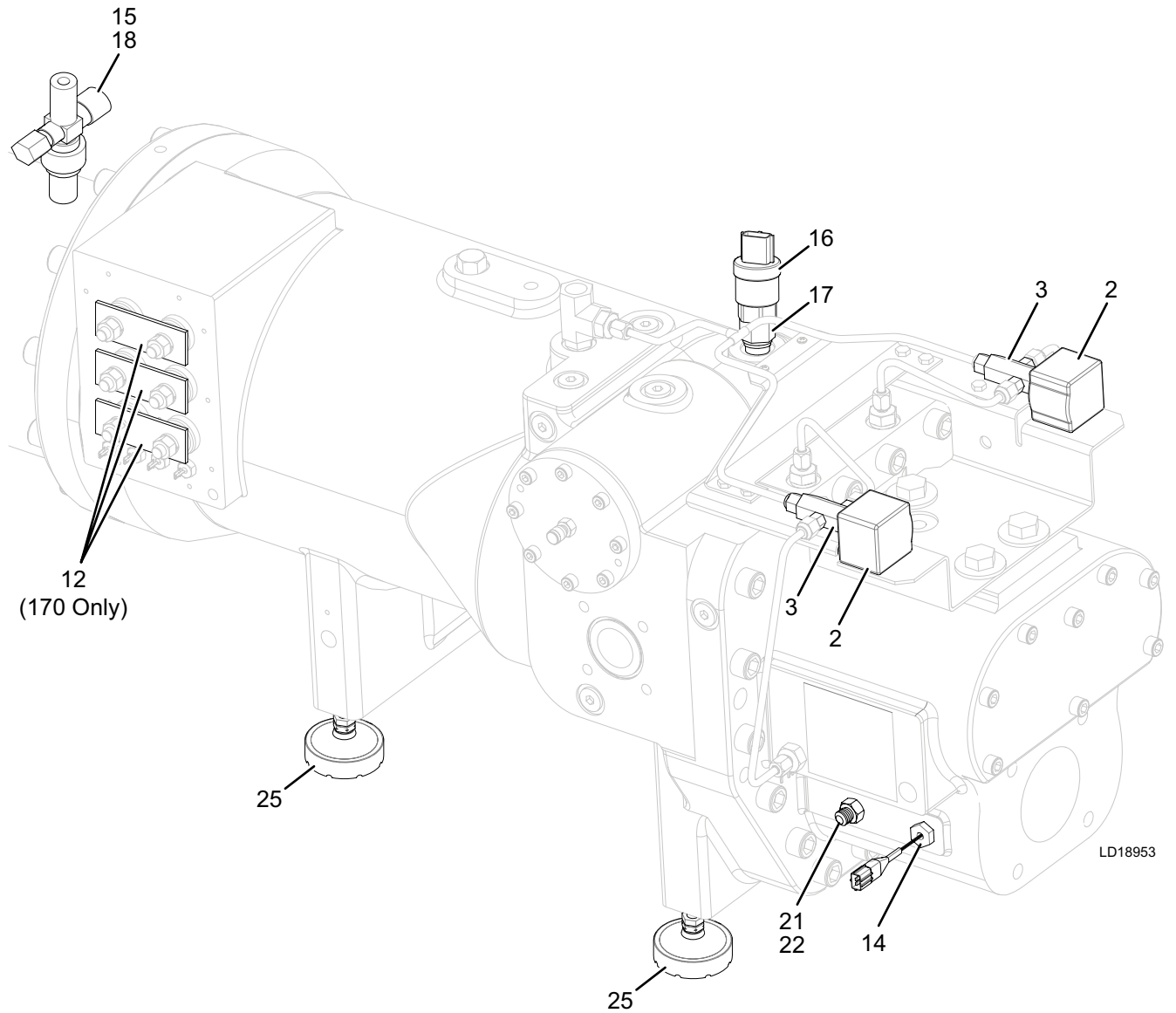


FIGURE 61 - COMPRESSOR COMPONENTS

**TABLE 74 - COMPRESSOR SENSORS**

ITEM	DESCRIPTION	PART NUMBER	SAP NUMBER	QUANTITY	FIGURE
2	Valve, Solenoid Din Coil	025-35151-000	739141	2	62
3	Valve, 180, Solenoid	025-43901-000	648515	2	62
12	Bar Bus Copper (170)	092-11506-000	872546	3	62
14	Sensor, Temperature Dxs Screw	025-32924-000	738772	2	62
15	Transducer, 0-125 PSI	025-29583-001	128531	2	62
16	Transducer 0-400 PSI, 5V Input	025-29139-001	738264	2	62
17	Adapter, M X F 3/4 -16Unf	023-18225-000	146300	2	62
18	Valve, Transducer 1/4 Mpt X	022-09503-000	731261	2	62
21	Adapter M X M 7/16-20Unf	023-18087-000	732898	2	62
22	O-Ring Neo1 00.351Id .072Thk M	028-13540-000	741800	2	62
25	Isolator, Compr, Level Rubber (124-151)	029-26527-001	995231	8	62
	Isolator, Compr, Level Rubber (170)	029-25868-000	743439	8	
31	Compr Heater (System 1)	575-54455-202	562545	2	*
	Compr Heater (System 2)	575-54455-203	562544	2	
38	Hsg Connr Electrical Cap	025-21191-000	737645	2	*

**NOTE:** Items with an \* are NOT represented.



**FIGURE 62 - COMPRESSOR SENSORS**

**TABLE 75 - ASME INSULATED COOLER**

ITEM	PIN 43 =	MODEL	DESCRIPTION	ONE WATER PASS COOLER P/N	TWO WATER PASS COOLER P/N	THREE WATER PASS COOLER P/N	FIGURE
1	1	0153/0543, 0165/0565 0198/0688, 0233/0843, 0263/0943,	Evaporator 1 Pass FFE230	375-89864-010	375-89864-000	375-89864-020	63
				375-89864-040	375-89864-030	375-89864-050	
	3	0183/0643, 0195/0665, 0213/0743	Evaporator 1 Pass FFE204.	375-93930-010	375-93930-000	375-93930-020	
				375-93930-040	375-93930-030	310-07810-002	
	1	0273/0963	Evaporator 1Pass FFE290	392-02454-010	392-02454-000	392-02454-020	
				392-02454-040	392-02454-030	310-07917-002	
	1	0178/0588, 0200/0700, 0215/0765, 0218/0788, 0245/0865, 0248/0888, 0303/1093, 0333/1173	Evaporator 1Pass FFE278	375-93209-010	375-93209-000	375-93209-020	
				375-93209-040	375-93209-030	375-93209-050	
	1	0275/0965, 0278/0988, 0295/1015, 308/1088, 0318/1188, 0323/1143,0343/1193, 0345/1215	Evaporator 1Pass FFE331	375-93189-010	375-93189-000	375-93189-020	
				375-93189-040	375-93189-030	375-93189-050	
	1	0373/1343	Evaporator 1 Pass FFE438	392-10752-010	392-10752-000	392-10752-020	
				392-10752-040	392-10752-030	392-10752-050	
	1	0413/1443, 0425/1515	Evaporator 1 Pass FFE410	392-05072-010	392-05072-000	392-05072-020	
				392-05072-040	392-05072-030	392-05072-050	
1	0443/1543, 0483/1693	Evaporator 1 Pass FFE439	392-10784-010	392-10784-000	392-10784-020		
			392-10784-040	392-10784-030	392-10784-050		
1	0368/1288, 0375/1315, 0398/1388, 0428/1488	Evaporator 1 Pass FFE499	392-09738-010	392-09738-000	392-09738-020		
			392-09738-040	392-09738-030	392-09738-050		
1	0475/1665, 0500/1700, 0523/1843	Evaporator 1Pass 150# FFE500	392-03140-010	392-03140-000	392-03140-020		
			392-03140-040	392-03140-030	392-03140-050		
3	1	0153/0543, 0165/0565 0198/0688, 0233/0843, 0263/0943,	Water Box 1 Pass FFE230	392-05008-000	375-93963-000	375-93963-000	63
				392-05025-101	392-05025-102	392-05025-102	
	1	0183/0643, 0195/0665, 0213/0743	Water Box 1 Pass FFE204	392-04998-000	375-93934-000	392-04993-000	
				392-05022-101	392-05022-105	392-05022-103	
	1	0178/0588, 0200/0700, 0215/0765, 0218/0788, 0245/0865, 0248/0888, 0273/0963, 0303/1093, 0333/1173	Waterbox 1 Pass FFE278	392-05019-000	375-93963-000	392-05017-000	
				392-05028-101	392-05028-105	392-05028-103	
	1	0275/0965, 0278/0988, 0295/1015, 308/1088, 0318/1188, 0323/1143,0343/1193, 0345/1215	Waterbox 1 Pass FFE331	392-03299-000	375-93190-000	392-03303-000	
				392-05026-101	392-05026-102	392-05026-103	
	1	0373/1343, 0443/1543, 0483/1693	Back Waterbox 1 Pass FFE439	392-10742-101	392-10742-105	392-10742-103	
	1	0413/1443	Front Waterbox 1 Pass FFE410	392-09281-101	392-09281-102	392-09281-103	
	1	0475/1665, 0500/1700, 0523/1843, 0368/1288, 0375/1315, 0398/1388, 0428/1488	Water Box 1 Pass FFE500	392-11174-000	392-03139-000	392-11170-000	

**TABLE 75 - ASME INSULATED COOLER (CONT'D)**

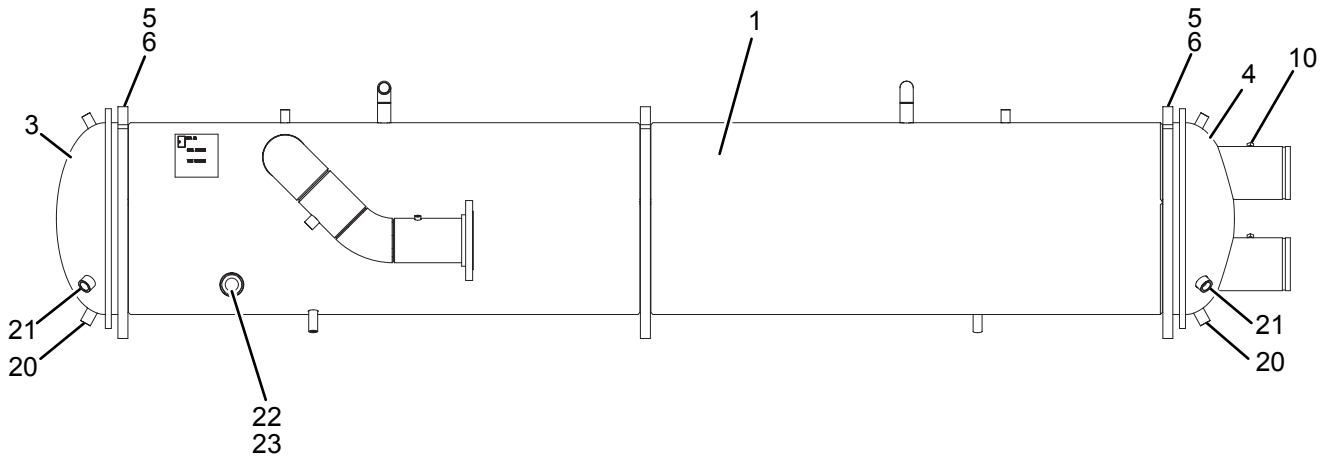
ITEM	PIN 43 =	MODEL	DESCRIPTION	ONE WATER PASS COOLER P/N	TWO WATER PASS COOLER P/N	THREE WATER PASS COOLER P/N	FIGURE
<b>4</b>	1	0153/0543, 0165/0565 0198/0688, 0233/0843, 0263/0943,	Waterbox Front FFE230	N/A	375-93959-000	392-05004-000	63
	3				392-05025-105	392-05025-103	
	1	0183/0643, 0195/0665, 0213/0743	Waterbox Front FFE204.	N/A	375-93933-000	392-04994-000	
	3				392-05022-102	392-05022-104	
	1	0178/0588, 0200/0700, 0215/0765, 0218/0788, 0245/0865, 0248/0888, 0273/0963, 0303/1093, 0333/1173	Waterbox Front FFE278	N/A	375-93977-000	392-05015-000	
	3				392-05028-102	392-05028-104	
	1	0275/0965, 0278/0988, 0295/1015, 308/1088, 0318/1188, 0323/1143,0343/1193, 0345/1215	Waterbox Front FFE331.	N/A	375-93191-000	392-03300-000	
	3				392-05026-105	392-05026-104	
	1	0373/1343, 0443/1543, 0483/1693	Water Box Front 2 Pass FFE439	N/A	392-10742-102	392-10742-104	
1	0413/1443	Front Waterbox 2 Pass FFE410	N/A	392-09281-102	392-09281-104		
1	0475/1665, 0500/1700, 0523/1843, 0368/1288, 0375/1315, 0398/1388, 0428/1488	Waterbox Front FFE500	N/A	392-03139-000	392-11172-000		
<b>5</b>	ALL	ALL	Gasket Channel 50 Durometer	028-09951-000			63
<b>6</b>	ALL	ALL	Heater 280 Watt 120 Volt	025-22691-000			63
<b>10</b>	ALL	ALL	Well Thermo	026-32328-000			63
<b>13</b>	ALL	ALL	Plug Pipe 1/4 Square Head	023-01972-000			*
<b>14</b>	ALL	ALL	Plug Pipe 1/2 Square Head	023-03822-000			*
<b>20</b>	ALL	ALL	Plug Pipe 3/4 Square Head	023-04053-000			63
<b>21</b>	ALL	ALL	Plug Pipe 1 Square Head	023-04054-000			63
<b>22</b>	ALL	ALL	O-Ring Neo1 02.090ld .118Thk M	028-12961-036			63
<b>23</b>	ALL	ALL	Plug Sight 2-1/4 -12 Un-2A	023-17197-000			63

**NOTE:** Items with an \* are NOT represented.

\*\* When ordering Gasket Material specify length required by replacing the -000 with either -025 for 25', -050 for 50', or -100 for 100'.

**TABLE 76 - PED INSULATED COOLER**

ITEM	PIN 43 =	MODEL	DESCRIPTION	ONE WATER PASS COOLER P/N	TWO WATER PASS COOLER P/N	THREE WATER PASS COOLER P/N	FIGURE
1	1	0153/0543, 0198/0688, 0233/0843, 0263/0943, 0165/0565	Evaporator 1 Pass FFE230	375-89864-910	375-89864-990	375-89864-920	63
	3			375-89864-940	375-89864-930	375-89864-950	
	1	0183/0643, 0195/0665, 0213/0743	Evaporator 1 Pass FFE204	375-93930-910	375-93930-990	375-93930-920	
	3			310-07810-002	375-93930-930	375-93930-950	
	1	0273/0963	Evaporator 1 Pass FFE290	392-02454-910	375-93930-990	392-02454-920	
	3			392-02454-940	392-02454-930	392-02454-950	
	1	0178/0588, 0200/0700, 0215/0765, 0218/0788, 0245/0865, 0248/0888, 0303/1093, 0333/1173,	Evaporator 1 Pass FFE278 Ped	375-93209-910	375-93209-990	375-93209-920	
	3			375-93209-940	375-93209-930	375-93209-950	
	1	0275/0965, 0295/1015, 0345/1215, 0278/0988, 30/1088, 0318/1188, 0323/1143, 0343/1193	Evaporator 1 Pass FFE331	375-93189-910	375-93189-990	375-93189-920	
	3			375-93189-940	375-93189-930	375-93189-950	
	1	0373/1343	Evaporator 2 Pass FFE438	392-10752-910	392-10752-990	392-10752-920	
	3			392-10752-940	392-10752-930	392-10752-950	
	1	0413/1443	Evaporator 1 Pass FFE410	392-05072-910	392-05072-900	392-05072-920	
	3			392-05072-940	392-05072-930	392-05072-950	
	1	0443/1543, 0483/1693	Evaporator 1 Pass FFE439	392-10784-910	392-10784-900	392-10784-920	
	3			392-10784-940	392-10784-930	392-10784-950	
	1	0368/1288, 0375/1315, 0398/1388, 0428/1488	Evaporator 1 Pass FFE499	375-09738-910	375-09738-990	375-09738-920	
	3			375-09738-940	375-09738-930	375-09738-950	
1	0475/1665, 0500/1700, 0523/1843	Evaporator 1 Pass FFE500	392-03140-910	392-03140-900	392-03140-920		
3			392-03140-940	392-03140-930	392-03140-950		
6	All	All	Heater 280 Watt 120 Volt	025-22691-000		63	



LD17438

**FIGURE 63 - INSULATED COOLER**

**TABLE 77 - LOUVERED ENCLOSURE KITS (BASIC, ECONOMICAL, LEVEL 0 AND LEVEL 1 REDUCTION)**

<b>LOW NOISE KIT (BASIC, ECONOMICAL, LEVEL 0 &amp; LEVEL 1 REDUCTION)</b>				
<b>MODEL</b>	<b>PIN 12 &amp; 13 =</b>	<b>FULL KIT PART NUMBER</b>	<b>TOP SECTION PART NUMBER</b>	<b>BOTTOM SECTION PART NUMBER</b>
0153/0543	40, 42, 46, 50	375-93248-000	375-93248-001	375-93248-002
	17, 28, 58	392-11612-000	392-11612-001	392-11612-002
0165/0565, 0183/0643	40, 42, 46, 50	375-93248-010	375-93248-011	375-93248-012
	17, 28, 58	392-11612-010	392-11612-011	392-11612-012
0178/0588, 0195/0665, 0213/0743, 0215/0765, 0233/0843	40, 42, 46, 50	375-93248-020	375-93248-021	375-93248-022
	17, 28, 58	392-11612-020	392-11612-021	392-11612-022
0198/0688, 0218/0788, 0245/0865, 0263/0943, 0273/0963, 0275/0965	40, 42, 46, 50	375-93248-030	375-93248-031	375-93248-032
	17, 28, 58	392-11612-030	392-11612-031	392-11612-032
0248/0888, 0278/0988, 0295/1015, 0303/1093, 0323/1143	40, 42, 46, 50	375-93248-040	375-93248-041	375-93248-042
	17, 28, 58	392-11612-040	392-11612-041	392-11612-042
0305/1065, 0308/1088, 0333/1173, 0343/1193	40, 42, 46, 50	392-03481-000	392-03481-001	392-03481-002
	17, 28, 58	392-11595-000	392-11595-001	392-11595-002
0373/1343, 0375/1315, 0413/1443, 0500/1700	40, 42, 46, 50	392-13673-010	392-13673-011	392-13673-012
	17, 28, 58	392-13694-010	392-13694-011	392-13694-012
0398/1388, 0425/1515, 0443/1543	40, 42, 46, 50	392-13673-030	392-13673-031	392-13673-032
	17, 28, 58	392-13694-030	392-13694-031	392-13694-032
0428/1488, 0475/1665, 0483/1693, 0523/1843	40, 42, 46, 50	392-13673-040	392-13673-041	392-13673-042
	17, 28, 58	392-13694-040	392-13694-041	392-13694-042
0318/1188, 0345/1215	40, 42, 46, 50	375-93248-060	375-93248-061	375-93248-062
	17, 28, 58	392-11612-060	392-11612-061	392-11612-062
0368/1288	40, 42, 46, 50	392-13673-020	392-13673-021	392-13673-022
	17, 28, 58	392-13694-020	392-13694-021	392-13694-022
0200/0700	40, 42, 46, 50	392-12553-000	392-12553-001	392-12553-002
	17, 28, 58	392-12557-000	392-12557-001	392-12557-002

**TABLE 78 - LOUVERED ENCLOSURE KITS (LEVEL 2 REDUCTION)**

<b>LOW NOISE KIT (LEVEL 2 REDUCTION)</b>				
<b>MODEL</b>	<b>PIN 12 &amp; 13 =</b>	<b>FULL KIT NUMBER</b>	<b>TOP SECTION PART NUMBER</b>	<b>BOTTOM SECTION PART NUMBER</b>
0153/0543	40, 42, 46, 50	375-93252-000	375-93252-001	375-93252-002
	17, 28, 58	392-11613-000	392-11613-001	392-11613-002
0165/0565, 0183/0643	40, 42, 46, 50	375-93252-010	375-93252-011	375-93252-012
	17, 28, 58	392-11613-010	392-11613-011	392-11613-012
0178/0588, 0195/0665, 0213/0743, 0215/0765	40, 42, 46, 50	392-02036-020	392-02036-021	392-02036-022
	17, 28, 58	392-11587-020	392-11587-021	392-11587-022
0198/0688, 0263/0943	40, 42, 46, 50	392-02038-030	392-02038-031	392-02038-032
	17, 28, 58	392-11589-030	392-11589-031	392-11589-032
0200/0700	40, 42, 46, 50	392-12555-000	392-12555-001	392-12555-002
	17, 28, 58	392-12559-000	392-12559-001	392-12559-002
0218/0788, 0245/0865	40, 42, 46, 50	392-02037-030	392-02037-031	392-02037-032
	17, 28, 58	392-11588-030	392-11588-031	392-11588-032
0233/0843	40, 42, 46, 50	375-93252-020	375-93252-021	375-93252-022
	17, 28, 58	392-11613-020	392-11613-021	392-11613-022
0248/0888	40, 42, 46, 50	392-07888-030	392-07888-031	392-07888-032
	17, 28, 58	392-11609-030	392-11609-031	392-11609-032
0273/0963, 0275/0965	40, 42, 46, 50	375-93252-030	375-93252-031	375-93252-032
	17, 28, 58	392-11613-030	392-11613-031	392-11613-032
0278/0988	40, 42, 46, 50	392-07896-040	392-07896-041	392-07896-042
	17, 28, 58	392-11608-040	392-11608-041	392-11608-042
0295/1015	40, 42, 46, 50	392-07890-040	392-07890-041	392-07890-042
	17, 28, 58	392-11610-040	392-11610-041	392-11610-042
0305/1065, 0333/1173	40, 42, 46, 50	392-07883-050	392-07883-051	392-07883-052
	17, 28, 58	392-11606-050	392-11606-051	392-11606-052
0308/1088, 0343/1193	40, 42, 46, 50	392-07885-050	392-07885-051	392-07885-052
	17, 28, 58	392-11607-050	392-11607-051	392-11607-052
0345/1215	40, 42, 46, 50	392-09015-060	392-09015-061	392-09015-062
	17, 28, 58	392-11611-060	392-11611-061	392-11611-062

**TABLE 79 - WIRE/LOUVERED ENCLOSURE KITS  
(BASIC, ECONOMICAL, LEVEL 0 AND LEVEL 1 REDUCTION)**

<b>LOW NOISE KIT (BASIC, ECONOMICAL, LEVEL 0 &amp; LEVEL 1 REDUCTION)</b>				
<b>MODEL</b>	<b>PIN 12 &amp; 13 =</b>	<b>FULL KIT NUMBER</b>	<b>TOP SECTION PART NUMBER</b>	<b>BOTTOM SECTION PART NUMBER</b>
0153/0543	40, 42, 46, 50	375-93249-000	375-93248-001	375-93247-002
	17, 28, 58	392-12870-000	375-93248-001	392-12870-002
0165/0565, 0183/0643	40, 42, 46, 50	375-93249-010	375-93248-011	375-93247-012
	17, 28, 58	392-12870-010	375-93248-011	392-12870-012
0178/0588, 0195/0665, 0213/0743, 0215/0765, 0233/0843	40, 42, 46, 50	375-93249-020	375-93248-021	375-93247-022
	17, 28, 58	392-12870-020	375-93248-021	392-12870-022
0198/0688, 0218/0788, 0245/0865, 0263/0943, 0273/0963, 0275/0965	40, 42, 46, 50	375-93249-030	375-93248-031	375-93247-032
	17, 28, 58	392-12870-030	375-93248-031	392-12870-032
0200/0700	40, 42, 46, 50	375-93249-100	392-12553-001	392-12861-002
	17, 28, 58	392-12872-000	392-12553-001	392-12872-002
0248/0888, 0278/0988, 0295/1015, 0303/1093, 0323/1143	40, 42, 46, 50	375-93249-040	375-93248-041	375-93247-042
	17, 28, 58	392-12870-040	375-93248-041	392-12870-042
0305/1065, 0308/1088, 0333/1173, 0343/1193	40, 42, 46, 50	392-03489-000	392-03481-001	392-03482-002
	17, 28, 58	392-12871-000	392-03481-001	392-12871-002
0318/1188, 0345/1215	40, 42, 46, 50	375-93249-060	375-93248-061	375-93247-062
	17, 28, 58	392-12870-060	375-93248-061	392-12870-062
0368/1288	40, 42, 46, 50	392-13711-010	392-13673-021	392-13710-012
	17, 28, 58	392-14310-010	392-13673-021	392-14309-012
0373/1343, 0375/1315, 0413/1443, 0500/1700	40, 42, 46, 50	392-13711-000	392-13673-011	392-13710-002
	17, 28, 58	392-14310-000	392-13673-011	392-14309-002
0398/1388, 0425/1515, 0443/1543	40, 42, 46, 50	392-13711-020	392-13673-031	392-13710-022
	17, 28, 58	392-14310-020	392-13673-031	392-14309-022
0428/1488, 0475/1665, 0483/1693, 0523/1843	40, 42, 46, 50	392-13711-030	392-13673-041	392-13710-032
	17, 28, 58	392-14310-030	392-13673-041	392-14309-032

**TABLE 80 - WIRE/LOUVERED ENCLOSURE KITS (LEVEL 2 REDUCTION)**

<b>LOW NOISE KIT (LEVEL 2 REDUCTION)</b>				
<b>MODEL</b>	<b>PIN 12 &amp; 13 =</b>	<b>FULL KIT NUMBER</b>	<b>TOP SECTION PART NUMBER</b>	<b>BOTTOM SECTION PART NUMBER</b>
0153/0543	40, 42, 46, 50	375-93253-000	375-93252-001	375-93251-002
	17, 28, 58	392-12889-000	375-93252-001	392-12889-002
0165/0565, 0183/0643	40, 42, 46, 50	375-93253-010	375-93252-011	375-93251-012
	17, 28, 58	392-12889-010	375-93252-011	392-12889-012
0178/0588, 0195/0665, 0213/0743, 0215/0765	40, 42, 46, 50	392-02034-020	392-02036-021	392-02031-022
	17, 28, 58	392-12891-020	392-02036-021	392-12891-022
0200/0700	40, 42, 46, 50	375-93253-100	392-12555-001	392-12863-002
	17, 28, 58	392-12890-000	392-12555-001	392-12890-002
0218/0788, 0245/0865	40, 42, 46, 50	392-02033-030	392-02037-031	392-02030-032
	17, 28, 58	392-12892-030	392-02037-031	392-12892-032
0233/0843	40, 42, 46, 50	392-12896-020	375-93252-021	392-12896-022
0248/0888	40, 42, 46, 50	392-07889-030	392-07888-031	392-07887-032
	17, 28, 58	392-12887-030	392-07888-031	392-12887-032
0263/0943	40, 42, 46, 50	375-93253-030	392-02038-031	375-93251-032
	17, 28, 58	392-12889-030	392-02038-031	392-12889-032
0273/0963, 0275/0965	40, 42, 46, 50	392-02032-030	375-93252-031	392-02029-032
	17, 28, 58	392-12893-030	375-93252-031	392-12893-032
0278/0988	40, 42, 46, 50	392-07898-040	392-07896-041	392-07897-042
	17, 28, 58	392-12898-040	392-07896-041	392-12898-042
0295/1015	40, 42, 46, 50	392-07892-040	392-07890-041	392-07891-042
	17, 28, 58	392-12899-040	392-07890-041	392-12899-042
0303/1093	40, 42, 46, 50	392-07722-040	392-07652-041	392-07721-042
	17, 28, 58	392-12900-040	392-07652-041	392-12900-042
0305/1065, 0333/1173	40, 42, 46, 50	392-07882-050	392-07883-051	392-07881-052
	17, 28, 58	392-12894-050	392-07883-051	392-12894-052
0308/1088, 0343/1193	40, 42, 46, 50	392-07886-050	392-07885-051	392-07884-052
	17, 28, 58	392-12895-050	392-07885-051	392-12895-052
0318/1188, 0345/1215	40, 42, 46, 50	392-09017-060	392-09015-061	392-09016-062
	17, 28, 58	392-12901-060	392-09015-061	392-12901-062
0323/1143	40, 42, 46, 50	392-07724-040	392-07654-041	392-07723-042
	17, 28, 58	392-12902-040	392-07654-041	392-12902-042

**TABLE 81 - LOUVERED ENCLOSURE KIT COMPONENTS - TOP**

ITEM	MODEL	PIN 54 =	DESCRIPTION	PART NUMBER	SAP NUMBER	QTY	FIGURE
100	0153/0543 - 0345/1215	N	Panel, Enclosure	075-93275-001	668145	2	64-69
	0153/0543 - 0345/1215	X, E, R, A		075-93275-001	668145	2	
	0368/1288 - 0523/1843	X, E, R, A		075-93275-080	946854	1	
101	0153/0543 - 0345/1215	N	Panel, Enclosure	075-93275-004	677285	1	64-69
	0153/0543 - 0345/1215	X, E, R, A		075-93275-004	677285	1	
	0368/1288 - 0523/1843	X, E, R, A		075-93275-081	946855	1	
102	0153/0543, 0200/0700	All	Panel, Enclosure	075-93275-002	677287	4	64-69
	0165/0565, 0183/0643	All		075-93275-002	677287	6	
	0178/0588, 0195/0665, 0213/0743, 0215/0765, 0233/0843	All		075-93275-002	677287	8	
	0198/0688, 0218/0788, 0245/0865, 0263/0943 - 0275/0965	All		075-93275-002	677287	10	
	0248/0888, 0278/0988, 0295/1015	N		075-93275-002	677287	12	
	0305/1065, 0308/1088, 0333/1173, 0343/1193	N		075-93275-002	677287	14	
	0345/1215	N		075-93275-002	677287	16	
	0248/0888, 0278/0988, 0295/1015, 0303/1093, 0323/1143	X, E, R, A		075-93275-002	677287	12	
	0305/1065, 0308/1088, 0333/1173, 0343/1193, 0368/1288	X, E, R, A		075-93275-002	677287	14	
	0318/1188, 0345/1215, 0373/1343 - 0425/1515, 0443/1543, 0500/1700	X, E, R, A		075-93275-002	677287	16	
	0428/1488, 0475/1665, 0483/1693, 0523/1843	X, E, R, A		075-93275-002	677287	18	
103	0153/0543 - 0345/1215	N	Panel, Enclosure	075-93275-003	677288	1	64-69
	0153/0543 - 0345/1215, 0373/1343, 0375/1315, 0413/1443, 0500/1700	X, E, R, A		075-93275-003	677288	1	
	0368/1288, 0398/1388, 0425/1515, 0443/1543, 0428/1488, 0475/1665, 0483/1693, 0523/1843	X, E, R, A		075-93275-003	677288	3	
104	0368/1288, 0398/1388, 0425/1515, 0428/1488, 0443/1543, 0475/1665, 0483/1693, 0523/1843	X, E, R, A	Panel, Enclosure	075-93275-005	677289	3	64-69
	0373/1343, 0375/1315, 0413/1443, 0500/1700	X, E, R, A		075-93275-005	677289	1	
	0153/0543 - 0345/1215	X, E, R, A		075-93275-006	677290	1	
	0153/0543 - 0345/1215	N		075-93275-006	677290	1	
105	0153/0543 - 0345/1215	All	Panel, Enclosure	075-93275-005	677289	1	64,65
106	All	All	Panel, Enclosure	075-93275-005	677289	1	64-69
107	All	All	Panel, Enclosure	075-93275-008	677302	1	64-69
108	All	All	Rail, Support, LVRS	075-84415-000	671299	1	64-69
109	0153/0543 - 0345/1215	N	Panel, Cover, Wiring Tray	075-79567-001	671311	1	64-69
	0153/0543 - 0345/1215	X, E, R, A		075-79567-001	671311	1	
	0368/1288	X, E, R, A		075-79569-001	671313	4	
	0373/1343 - 0523/1843	X, E, R, A		075-79569-001	671313	6	

**TABLE 81 - LOUVERED ENCLOSURE KIT COMPONENTS - TOP (CONT'D)**

ITEM	MODEL	PIN 54 =	DESCRIPTION	PART NUMBER	SAP NUMBER	QTY	FIGURE
110	0153/0543	N	Panel, Cover, Wiring Tray	092-09018-000	833003	1	64-69
	0165/0565, 0178/0588, 0183/0643, 0195/0665, 0213/0743, 0215/0765	N		092-09018-003	833006	1	
	0198/0688, 0233/0843, 0263/0943	N		092-09018-009	833021	1	
	0200/0700	N		075-79568-018	758530	1	
	0218/0788, 0245/0865, 0273/0963, 0275/0965, 0345/1215	N		092-09018-012	833022	1	
	0248/0888, 0278/0988	N		075-79568-033	820946	1	
	0295/1015, 0305/1065, 0308/1088, 0333/1173, 0343/1193	N		075-79568-029	758541	1	
	0153/0543 - 0345/1215	X, E, R, A		075-79568-001	671312	1	
	0368/1288 - 0425/1515, 0443/1543, 0500/1700	X, E, R, A		075-79570-003	677261	1	
	0428/1488, 0475/1665, 0483/1693, 0523/1843	X, E, R, A		075-79570-003	677261	2	
111	0165/0565, 0183/0643, 0198/0688, 0233/0843, 0263/0943	N	Panel, Cover, Wiring Tray	075-79569-003	758545	2	64-69
	0178/0588, 0195/0665, 0213/0743, 0215/0765	N		092-09018-008	833010	1	
	0218/0788, 0245/0865, 0248/0888	N		092-09018-006	833008	1	
	0273/0963, 0275/0965, 0295/1015	N		075-79569-003	758545	3	
	0278/0988	N		075-79568-004	703267	1	
	0305/1065, 0333/1173	N		075-79568-030	758542	1	
	0308/1088, 0343/1193	N		075-79570-029	758581	1	
	0345/1215	N		075-79569-003	758545	1	
	0165/0565, 0183/0643, 0178/0588, 0195/0665, 0213/0743, 0215/0765, 0233/0843	X, E, R, A		075-79569-001	671313	2	
	0198/0688, 0218/0788, 0245/0865 - 0308/1088, 0323/1143, 0333/1173, 0343/1193	X, E, R, A		075-79569-001	671313	4	
	0318/1188, 0345/1215	X, E, R, A		075-79569-001	671313	6	
	0368/1288, 0373/1343, 0375/1315, 0398/1388, 0413/1443, 0425/1515, 0443/1543, 0500/1700	X, E, R, A		075-79570-004	671414	1	
	0428/1488, 0475/1665, 0483/1693, 0523/1843	X, E, R, A		075-79570-004	671414	2	
112	0153/0543	N	Panel, Cover, Wiring Tray	092-09018-001	833004	1	64-69
	0165/0565, 0183/0643	N		075-79570-011	758572	1	
	0198/0688, 0263/0943	N		075-79569-015	758550	1	
	0200/0700	N		075-94088-003	813842	1	
	0218/0788, 0245/0865, 0248/0888	N		075-79569-003	758545	2	
	0278/0988	N		075-79569-003	758545	3	
	0295/1015	N		075-79569-040	813833	1	
	0305/1065, 0308/1088, 0333/1173, 0343/1193	N		075-79568-031	758543	1	
	0345/1215	N		075-79570-003	677261	1	
	0305/1065, 0308/1088, 0333/1173, 0343/1193	X, E, R, A		075-79570-020	703275	2	
	0368/1288 - 0523/1843	X, E, R, A		075-79568-034	946852	1	

**TABLE 81 - LOUVERED ENCLOSURE KIT COMPONENTS - TOP (CONT'D)**

ITEM	MODEL	PIN 54 =	DESCRIPTION	PART NUMBER	SAP NUMBER	QTY	FIGURE
113	0153/0543	N	Panel, Cover, Wiring Tray	075-79568-019	758531	1	64-69
	0165/0565, 0183/0643	N		075-79568-022	758534	1	
	0178/0588, 0195/0665, 0213/0743, 0215/0765	N		092-09018-007	833009	1	
	0198/0688, 0218/0788, 0245/0865, 0263/0943	N		075-79570-001	671315	1	
	0200/0700	N		075-79570-021	758574	1	
	0233/0843	N		075-79570-009	703121	1	
	0248/0888	N		075-79569-039	820947	1	
	0273/0963, 0275/0965	N		075-79570-005	758567	1	
	0278/0988	N		075-79570-034	820949	1	
	0295/1015, 0345/1215	N		075-79567-002	671316	1	
	0305/1065, 0308/1088, 0333/1173, 0343/1193	N		075-79570-003	677261	1	
	0153/0543, 0178/0588, 0195/0665, 0200/0700, 0213/0743, 0215/0765, 0233/0843, 0248/0888, 0278/0988 - 0345/1215	X, E, R, A		075-79570-003	677261	1	
	0165/0565, 0183/0643, 0198/0688, 0218/0788, 0245/0865, 0263/0943, 0273/0963, 0275/0965	X, E, R, A		075-79570-001	671315	1	
0368/1288 - 0523/1843	X, E, R, A	075-79568-035	946853	1			
114	0153/0543 - 0278/0988, 0305/1065 - 0343/1193	N	Panel, Cover, Wiring Tray	075-79567-002	671316	1	64,65, 67,68, 69
	0295/1015	N		075-79568-031	758543	1	
	0345/1215	N		092-09018-006	833008	1	
	0153/0543 - 0345/1215	X, E, R, A		075-79567-002	671316	1	
	0428/1488, 0475/1665, 0483/1693, 0523/1843	X, E, R, A		075-79570-001	671315	1	
	0368/1288, 0398/1388, 0425/1515, 0443/1543	X, E, R, A		075-79570-035	988796	2	
115	0153/0543	N	Panel, Cover, Wiring Tray	092-09018-002	833005	1	64,65, 67,69
	0165/0565, 0183/0643	N		092-09018-004	833007	1	
	0178/0588, 0195/0665, 0213/0743, 0215/0765	N		092-09018-006	833008	1	
	0198/0688, 0233/0843, 0263/0943	N		075-79568-022	758534	1	
	0218/0788, 0245/0865	N		092-09018-017	833027	1	
	0248/0888	N		075-79570-003	677261	1	
	0273/0963, 0275/0965	N		075-79568-004	703267	1	
	0278/0988	N		075-79570-033	820948	1	
	0295/1015	N		075-79569-041	813834	1	
	0305/1065, 0333/1173	N		075-79569-003	758545	2	
	0345/1215	N		075-79570-004	671414	1	
	0165/0565 - 0345/1215	X, E, R, A		075-79568-002	671317	1	
	0368/1288	X, E, R, A		075-79570-020	703275	2	
	0428/1488, 0475/1665, 0483/1693, 0523/1843	X, E, R, A		075-79570-002	671318	1	

**TABLE 81 - LOUVERED ENCLOSURE KIT COMPONENTS - TOP (CONT'D)**

ITEM	MODEL	PIN 54 =	DESCRIPTION	PART NUMBER	SAP NUMBER	QTY	FIGURE
116	0200/0700	N	Panel, Cover, Wiring Tray	075-79568-019	758531	1	65
	0305/1065, 0333/1173	N		075-79568-032	758544	1	
	0178/0588, 0195/0665, 0213/0743, 0215/0765	N		075-79569-003	758545	1	
	0198/0688, 0263/0943	N		075-79569-016	758551	1	
	0345/1215	N		075-79569-042	825618	1	
	0273/0963 - 0295/1015	N		092-09018-013	833023	1	
	0218/0788, 0245/0865, 0248/0888	N		092-09018-018	833028	1	
	0308/1088, 0343/1193	N		075-79570-030	758582	1	
	0153/0543, 0200/0700	X, E, R, A		075-79568-002	671317	1	
	0305/1065, 0308/1088, 0333/1173, 0343/1193	X, E, R, A		075-79570-004	671414	1	
117	0178/0588, 0195/0665, 0213/0743, 0215/0765	N	Panel, Cover, Wiring Tray	075-79570-008	758570	1	65
	0198/0688, 0218/0788, 0245/0865, 0263/0943	N		075-79570-002	671318	1	
	0200/0700	N		075-79570-022	758575	1	
	0233/0843	N		075-79570-010	758571	1	
	0248/0888, 0305/1065, 0308/1088, 0333/1173, 0343/1193	N		075-79570-004	671414	1	
	0273/0963, 0275/0965	N		092-09018-014	833024	1	
	0345/1215	N		075-79569-043	825619	1	
	0153/0543, 0178/0588, 0195/0665, 0200/0700 - 0233/0843, 0248/0888, 0278/0988, 0295/1015, 0303/1093, 0318/1188, 0323/1143, 0345/1215	X, E, R, A		075-79570-004	671414	1	
0165/0565, 0183/0643, 0198/0688, 0218/0788, 0245/0865, 0263/0943, 0273/0963, 0275/0965	X, E, R, A	075-79570-002	671318	1			
118	0305/1065, 0333/1173	N	Panel, Cover, Wiring Tray	075-79570-020	703275	2	65
	0308/1088, 0343/1193	N		092-09018-008	833010	1	
	0345/1215	N		092-09018-013	833023	1	
	0200/0700	All		075-93275-036	698144	2	
119	0200/0700	X, E, R, A	Panel, Cover, Wiring Tray	075-94088-001	697749	2	*
	0200/0700	N		075-94088-002	813841	1	
	0345/1215	N		092-09018-008	833010	2	
	0308/1088, 0343/1193	N		092-09018-013	833023	1	

**NOTE:** Items with an \* are NOT represented.

**TABLE 82 - WIRE/LOUVERED ENCLOSURE KIT COMPONENTS - TOP**

ITEM	MODEL	PIN 54 =	DESCRIPTION	PART NUMBER	SAP NUMBER	QTY	FIGURE
100	0153/0543 - 0345/1215	All	Panel, Enclosure	075-93275-001	668145	2	64-69
	0368/1288 - 0523/1843	X, E, R, A		075-93275-080	946854	1	
101	0153/0543 - 0345/1215	All	Panel, Enclosure	075-93275-004	677285	1	64-69
	0368/1288 - 0523/1843	X, E, R, A		075-93275-081	946855	1	
102	0153/0543, 0200/0700	All	Panel, Enclosure	075-93275-002	677287	4	64-69
	0165/0565, 0183/0643	All		075-93275-002	677287	6	
	0178/0588, 0195/0665, 0213/0743, 0215/0765, 0233/0843	All		075-93275-002	677287	8	
	0198/0688, 0218/0788, 0245/0865, 0263/0943, 0273/0963, 0275/0965	All		075-93275-002	677287	10	
	0248/0888, 0278/0988, 0295/1015, 0303/1093, 0323/1143	All		075-93275-002	677287	12	
	0305/1065, 0308/1088, 0333/1173, 0343/1193, 0368/1288	All		075-93275-002	677287	14	
	0318/1188, 0345/1215	N		075-93275-002	677287	16	
	0318/1188, 0345/1215, 0373/1343, 0375/1315, 0398/1388, 0413/1443, 0425/1515, 0443/1543, 0500/1700	X, E, R, A		075-93275-002	677287	16	
	0428/1488, 0475/1665, 0483/1693, 0523/1843	X, E, R, A		075-93275-002	677287	18	
103	All	N	Panel, Enclosure	075-93275-003	677288	1	64-69
	0153/0543 - 0345/1215, 0373/1343, 0375/1315, 0413/1443, 0500/1700	X, E, R, A		075-93275-003	677288	1	
	0368/1288, 0398/1388, 0425/1515 - 0483/1693, 0523/1843	X, E, R, A		075-93275-003	677288	3	
104	All	N	Panel, Enclosure	075-93275-006	677290	1	64-69
	0153/0543 - 0345/1215, 0373/1343, 0375/1315, 0413/1443, 0500/1700	X, E, R, A		075-93275-005	677289	1	
	0368/1288, 0398/1388, 0425/1515 - 0483/1693, 0523/1843	X, E, R, A		075-93275-005	677289	3	
105	All	All	Panel, Enclosure	075-93275-005	677289	1	64,65
106	All	All	Panel, Enclosure	075-93275-007	677301	1	64-69
107	All	All	Panel, Enclosure	075-93275-008	677302	1	64-69
108	All	All	Rail, Support LVRS	075-84415-000	671299	1	64-69
109	All	N	Panel, Cover, Wiring Tray	075-79567-001	671311	1	64-69
	0153/0543 - 0345/1215	X, E, R, A		075-79567-001	671311	1	
	0368/1288	X, E, R, A		075-79569-001	671313	4	
	0373/1343 - 0523/1843	X, E, R, A		075-79569-001	671313	6	

**TABLE 82 - WIRE/LOUVERED ENCLOSURE KIT COMPONENTS - TOP (CONT'D)**

ITEM	MODEL	PIN 54 =	DESCRIPTION	PART NUMBER	SAP NUMBER	QTY	FIGURE
110	0153/0543	N	Panel, Cover, Wiring Tray	092-09018-000	833003	1	64-69
	0165/0565, 0178/0588, 0183/0643, 0195/0665, 0213/0743, 0215/0765	N		092-09018-003	833006	1	
	0200/0700	N		075-79568-018	758530	1	
	0218/0788, 0245/0865, 0273/0963, 0275/0965, 0318/1188, 0345/1215	N		092-09018-012	833022	1	
	0233/0843, 0263/0943	N		092-09018-009	833021	1	
	0248/0888, 0278/0988	N		075-79568-033	820946	1	
	0295/1015, 0305/1065, 0308/1088, 0333/1173, 0343/1193	N		075-79568-029	758541	1	
	0303/1093, 0323/1143	N		075-79568-027	758539	1	
	0153/0543 - 0345/1215	X, E, R, A		075-79568-001	671312	1	
	0368/1288, 0373/1343, 0375/1315, 0398/1388, 0413/1443, 0425/1515, 0443/1543, 0500/1700	X, E, R, A		075-79570-003	677261	1	
	0428/1488, 0475/1665, 0483/1693, 0523/1843	X, E, R, A		075-79570-003	677261	2	
111	0178/0588, 0195/0665, 0213/0743, 0215/0765	N	Panel, Cover, Wiring Tray	092-09018-008	833010	1	64-69
	0218/0788, 0245/0865, 0248/0888	N		092-09018-006	833008	1	
	0165/0565, 0183/0643, 0233/0843, 0263/0943	N		075-79569-003	758545	2	
	0273/0963, 0275/0965, 0295/1015	N		075-79569-003	758545	3	
	0278/0988	N		075-79568-004	703267	1	
	0303/1093, 0323/1143	N		075-79568-028	758540	1	
	0305/1065, 0333/1173	N		075-79568-030	758542	1	
	0308/1088, 0343/1193	N		075-79570-029	758581	1	
	0318/1188, 0345/1215	N		075-79569-003	758545	1	
	0165/0565, 0178/0588, 0183/0643, 0195/0665, 0213/0743, 0215/0765, 0233/0843	X, E, R, A		075-79569-001	671313	2	
	0198/0688, 0218/0788, 0245/0865 - 0308/1088, 0323/1143, 0333/1173, 0343/1193	X, E, R, A		075-79569-001	671313	4	
	0318/1188, 0345/1215	X, E, R, A		075-79569-001	671313	6	
	0368/1288, 0373/1343, 0375/1315, 0398/1388, 0413/1443, 0425/1515, 0443/1543, 0500/1700	X, E, R, A		075-79570-004	671414	1	
	0428/1488, 0475/1665, 0483/1693, 0523/1843	X, E, R, A		075-79570-004	671414	2	

**TABLE 82 - WIRE/LOUVERED ENCLOSURE KIT COMPONENTS - TOP (CONT'D)**

ITEM	MODEL	PIN 54 =	DESCRIPTION	PART NUMBER	SAP NUMBER	QTY	FIGURE
112	0153/0543	N	Panel, Cover, Wiring Tray	092-09018-001	833004	1	64-69
	0165/0565, 0183/0643	N		075-79570-011	758572	1	
	0200/0700	N		075-94088-003	813842	1	
	0218/0788, 0245/0865, 0248/0888	N		075-79569-003	758545	2	
	0263/0943	N		075-79569-015	758550	1	
	0278/0988	N		075-79569-003	758545	3	
	0295/1015	N		075-79569-040	813833	1	
	0303/1093, 0323/1143	N		075-79569-036	758564	2	
	0305/1065, 0308/1088, 0333/1173, 0343/1193	N		075-79568-031	758543	1	
	0318/1188, 0345/1215	N		075-79570-003	677261	1	
	0305/1065, 0308/1088, 0333/1173, 0343/1193	X, E, R, A		075-79570-020	703275	2	
	0368/1288 - 0523/1843	X, E, R, A		075-79568-034	946852	1	
113	0153/0543	N	Panel, Cover, Wiring Tray	075-79568-019	758531	1	64-69
	0165/0565, 0183/0643	N		075-79568-022	758534	1	
	0178/0588, 0195/0665, 0213/0743, 0215/0765	N		092-09018-007	833009	1	
	0200/0700	N		075-79570-021	758574	1	
	0218/0788, 0245/0865, 0263/0943	N		075-79570-001	671315	1	
	0233/0843	N		075-79570-009	703121	1	
	0248/0888	N		075-79569-039	820947	1	
	0273/0963, 0275/0965	N		075-79570-005	758567	1	
	0278/0988	N		075-79570-034	820949	1	
	0295/1015, 0318/1188, 0345/1215	N		075-79567-002	671316	1	
	0303/1093	N		075-79570-026	758579	1	
	0305/1065, 0308/1088, 0333/1173, 0343/1193	N		075-79570-003	677261	1	
	0323/1143	N		075-79570-024	758577	1	
	0153/0543, 0178/0588, 0195/0665, 0200/0700, 0213/0743, 0215/0765, 0233/0843, 0248/0888, 0278/0988 - 0345/1215	X, E, R, A		075-79570-003	677261	1	
	0165/0565, 0183/0643, 0198/0688, 0218/0788, 0245/0865, 0263/0943, 0273/0963, 0275/0965	X, E, R, A		075-79570-001	671315	1	
0368/1288 - 0523/1843	X, E, R, A	075-79568-035	946853	1			
114	0153/0543 - 0278/0988, 0303/1093, 0305/1065, 0308/1088, 0323/1143, 0333/1173, 0343/1193	N	Panel, Cover, Wiring Tray	075-79567-002	671316	1	64,65, 67-69
	0295/1015	N		075-79568-031	758543	1	
	0318/1188, 0345/1215	N		092-09018-006	833008	1	
	0153/0543 - 0345/1215	X, E, R, A		075-79567-002	671316	1	
	0368/1288, 0398/1388, 0425/1515, 0443/1543	X, E, R, A		075-79570-035	988796	2	
	0428/1488, 0475/1665, 0483/1693, 0523/1843	X, E, R, A		075-79570-001	671315	1	

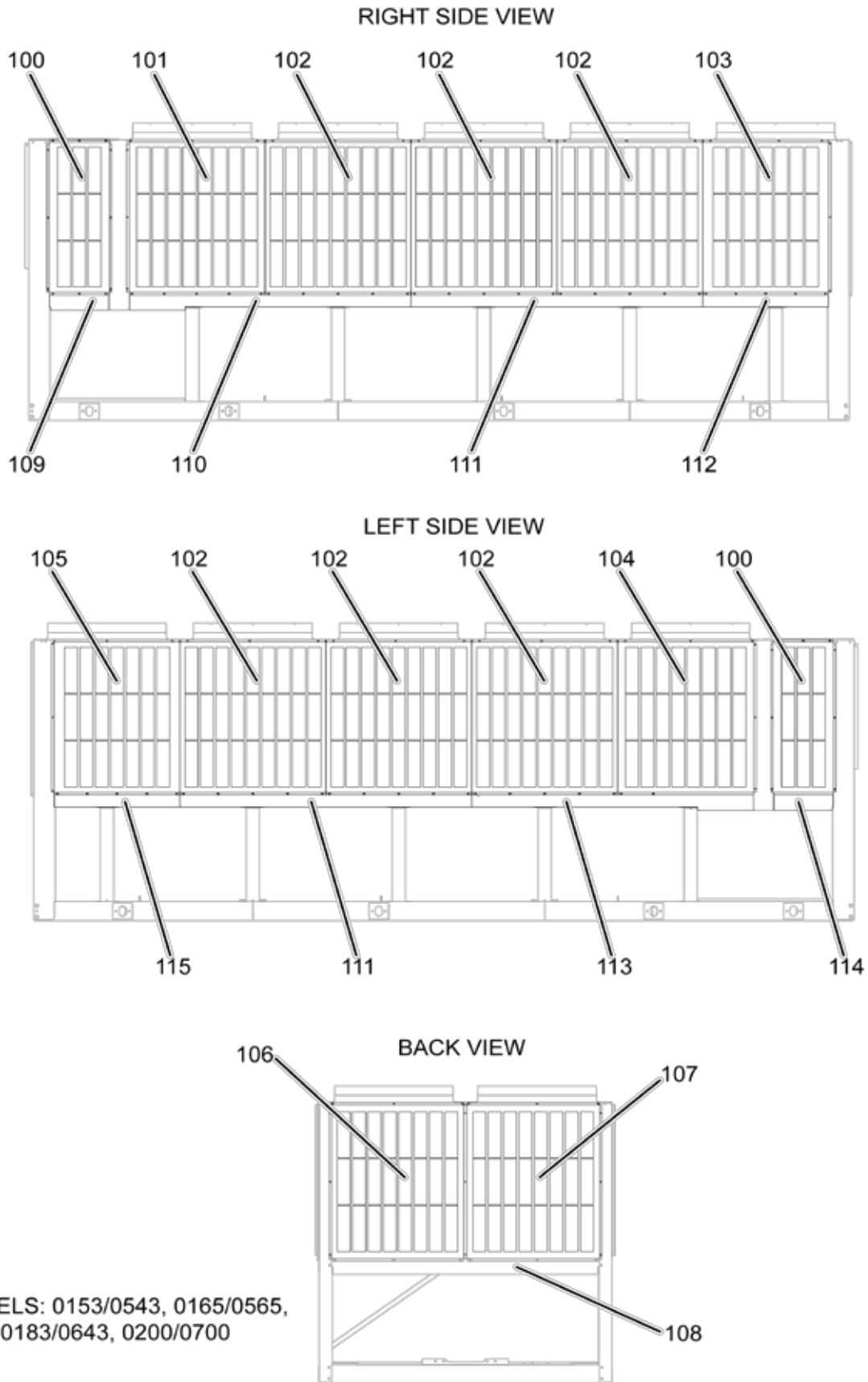
**TABLE 82 - WIRE/LOUVERED ENCLOSURE KIT COMPONENTS - TOP (CONT'D)**

ITEM	MODEL	PIN 54 =	DESCRIPTION	PART NUMBER	SAP NUMBER	QTY	FIGURE
115	0153/0543	N	Panel, Cover, Wiring Tray	092-09018-002	833005	1	64,65, 67,69
	0165/0565, 0183/0643	N		092-09018-004	833007	1	
	0178/0588, 0195/0665, 0213/0743, 0215/0765	N		092-09018-006	833008	1	
	0218/0788, 0245/0865	N		092-09018-017	833027	1	
	0233/0843, 0263/0943	N		075-79568-022	758534	1	
	0248/0888	N		075-79570-003	677261	1	
	0273/0963, 0275/0965	N		075-79568-004	703267	1	
	0278/0988	N		075-79570-033	820948	1	
	0295/1015	N		075-79569-041	813834	1	
	0303/1093	N		075-79570-027	758580	1	
	0305/1065, 0333/1173	N		075-79569-003	758545	2	
	0318/1188, 0345/1215	N		075-79570-004	671414	1	
	0323/1143	N		075-79570-025	758578	1	
	0165/0565 - 0345/1215	X, E, R, A		075-79568-002	671317	1	
	0368/1288	X, E, R, A		075-79570-020	703275	2	
	0428/1488, 0475/1665, 0483/1693, 0523/1843	X, E, R, A		075-79570-002	671318	1	
116	0178/0588, 0195/0665, 0213/0743, 0215/0765	N	Panel, Cover, Wiring Tray	075-79569-003	758545	1	65
	0200/0700	N		075-79568-019	758531	1	
	0218/0788, 0245/0865, 0248/0888	N		092-09018-018	833028	1	
	0263/0943	N		075-79569-016	758551	1	
	0273/0963 - 0295/1015	N		092-09018-013	833023	1	
	0303/1093	N		075-79569-037	758565	1	
	0305/1065, 0333/1173	N		075-79568-032	758544	1	
	0308/1088, 0343/1193	N		075-79570-030	758582	1	
	0318/1188, 0345/1215	N		075-79569-042	825618	1	
	0323/1143	N		092-09018-015	833025	1	
	0153/0543, 0200/0700	X, E, R, A		075-79568-002	671317	1	
	0305/1065, 0308/1088, 0333/1173, 0343/1193	X, E, R, A		075-79570-004	671414	1	

**TABLE 82 - WIRE/LOUVERED ENCLOSURE KIT COMPONENTS - TOP (CONT'D)**

ITEM	MODEL	PIN 54 =	DESCRIPTION	PART NUMBER	SAP NUMBER	QTY	FIGURE
117	0178/0588, 0195/0665, 0213/0743, 0215/0765	N	Panel, Cover, Wiring Tray	075-79570-008	758570	1	65
	0200/0700	N		075-79570-022	758575	1	
	0218/0788, 0245/0865, 0263/0943	N		075-79570-002	671318	1	
	0233/0843	N		075-79570-010	758571	1	
	0248/0888, 0305/1065, 0308/1088, 0333/1173, 0343/1193	N		075-79570-004	671414	1	
	0273/0963, 0275/0965	N		092-09018-014	833024	1	
	0303/1093	N		075-79569-038	758566	1	
	0318/1188, 0345/1215	N		075-79569-043	825619	1	
	0323/1143	N		092-09018-016	833026	1	
	0153/0543, 0178/0588, 0195/0665, 0200/0700, 0213/0743, 0215/0765, 0233/0843, 0248/0888, 0278/0988, 0295/1015, 0303/1093, 0318/1188, 0323/1143, 0345/1215	X, E, R, A		075-79570-004	671414	1	
0165/0565, 0183/0643, 0198/0688, 0218/0788, 0245/0865, 0263/0943, 0273/0963, 0275/0965	X, E, R, A	075-79570-002	671318	1			
118	0200/0700	N	Panel, Enclosure	075-93275-036	698144	2	65
	0305/1065, 0333/1173	N	Panel, Cover, Wiring Tray	075-79570-020	703275	2	
	0308/1088, 0343/1193	N		092-09018-008	833010	1	
	0318/1188, 0345/1215	N		092-09018-013	833023	1	
	0200/0700	X, E, R, A	Panel, Enclosure	075-93275-036	698144	2	
119	0200/0700	N	Panel, Cover, Wiring Tray	075-94088-002	813841	1	*
	0308/1088, 0343/1193	N		092-09018-013	833023	1	
	0318/1188, 0345/1215	N		092-09018-008	833010	2	
	0200/0700	X, E, R, A		075-94088-001	697749	2	

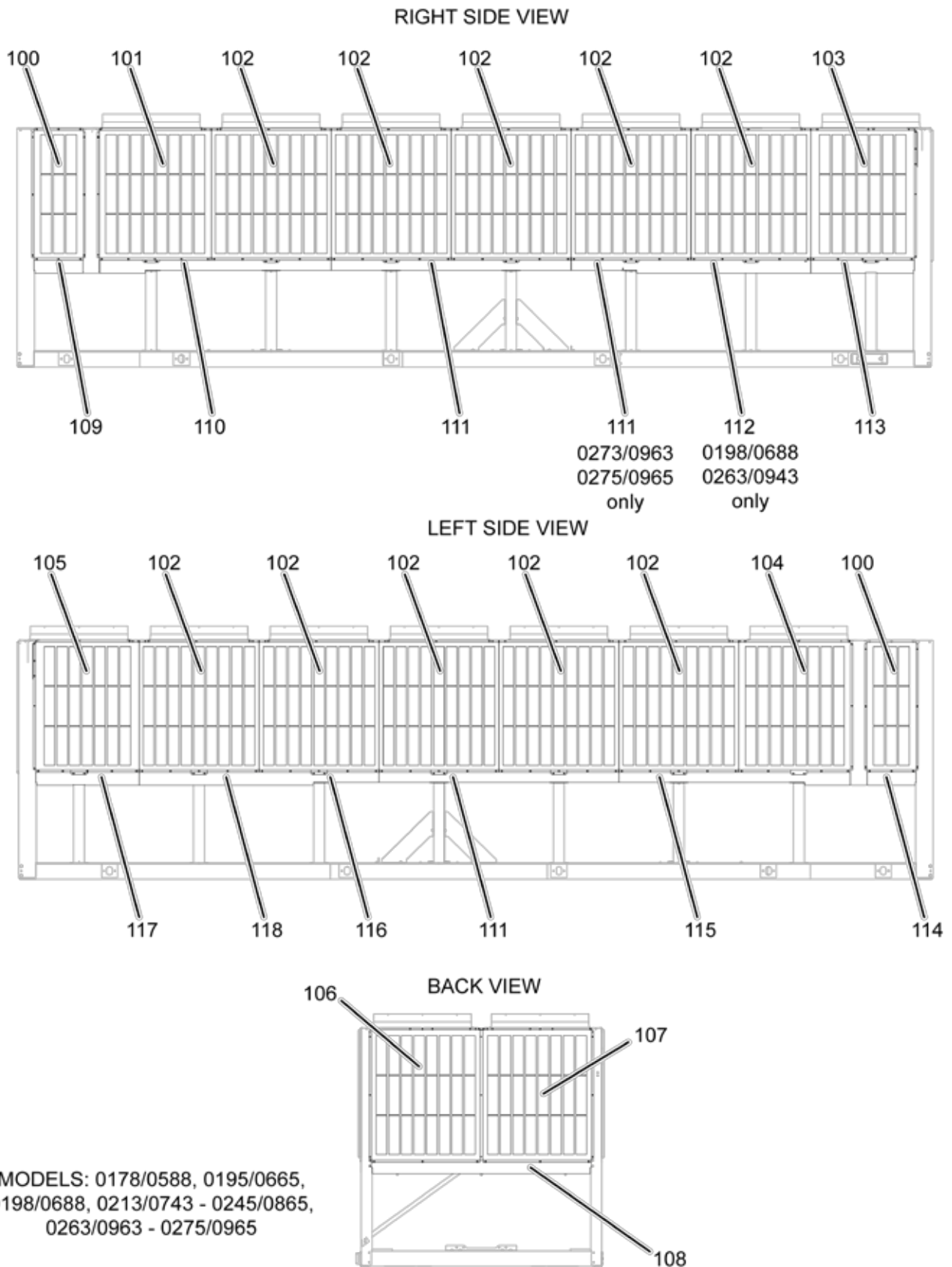
**NOTE:** Items with an \* are NOT represented.



MODELS: 0153/0543, 0165/0565,  
0183/0643, 0200/0700

LD17452

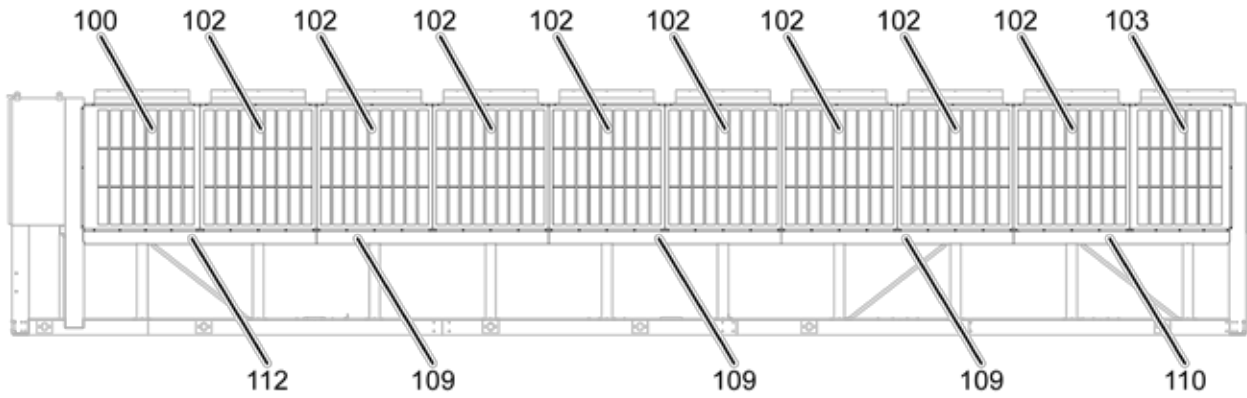
**FIGURE 64 - TOP SECTION: LOUVERED ENCLOSURE KIT COMPONENTS - MODELS 0153/0543, 0165/0565, 0183/0643 AND 0200/0700**



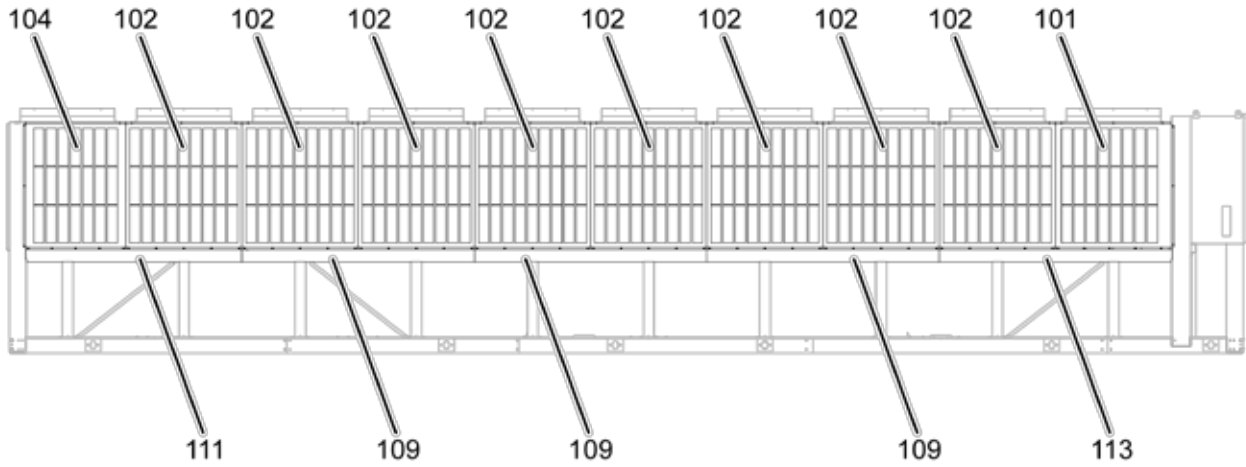
**FIGURE 65 - TOP SECTION: LOUVERED ENCLOSURE KIT COMPONENTS - MODELS 0178/0588, 0195/0665, 0198/0688, 0213/0743 - 0245/0865, 0263/0963, 0275/0965**

LD17453

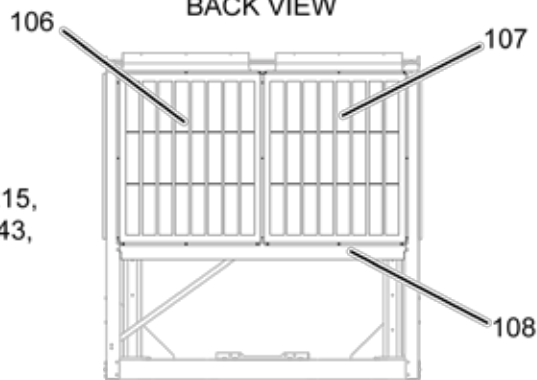
RIGHT SIDE VIEW



LEFT SIDE VIEW



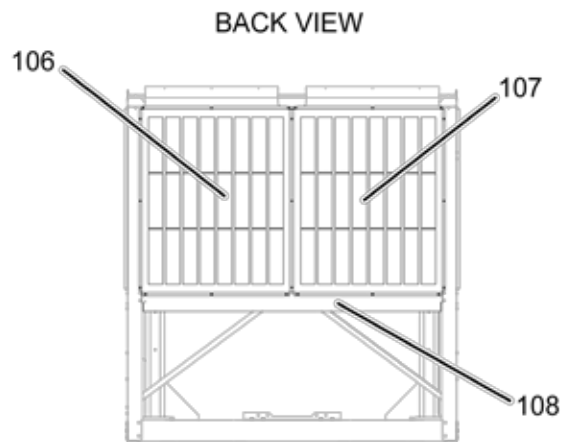
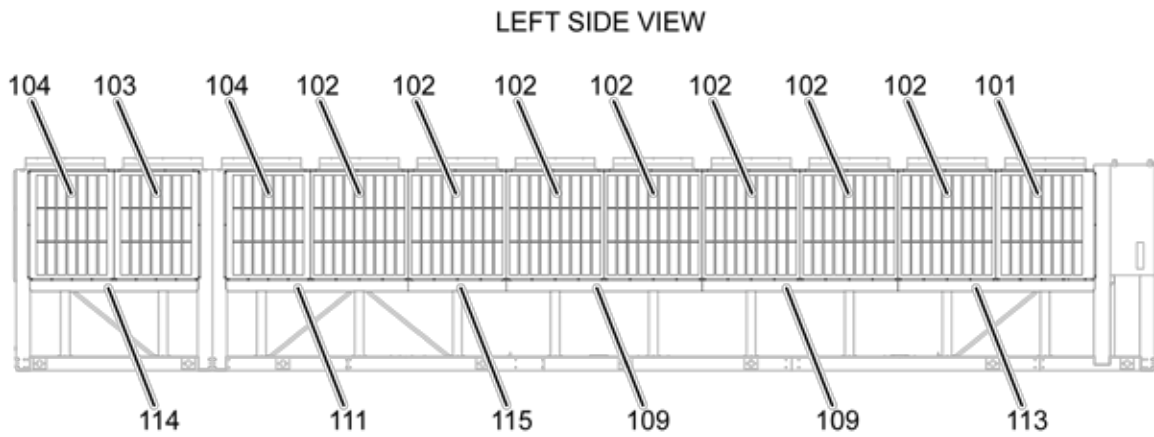
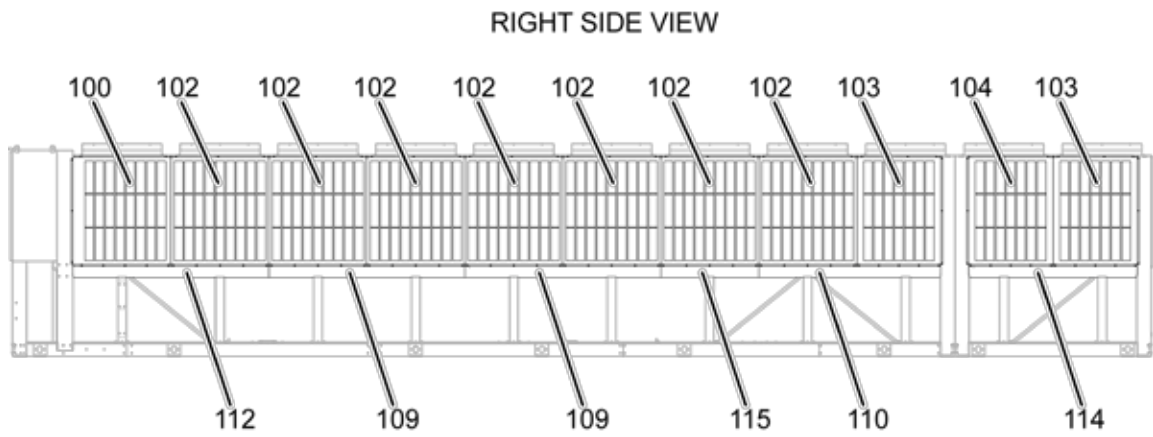
BACK VIEW



MODELS:  
0248/0888, 0278/0988 - 0345/1215,  
0373/1343, 0375/1315, 0413/1443,  
0500/1700

LD17455

**FIGURE 66 - TOP SECTION: LOUVERED ENCLOSURE KIT COMPONENTS - MODELS 0248/0888, 0278/0988 - 0345/1215, 0373/1343, 0375/1315, 0413/1443, 0500/1700**

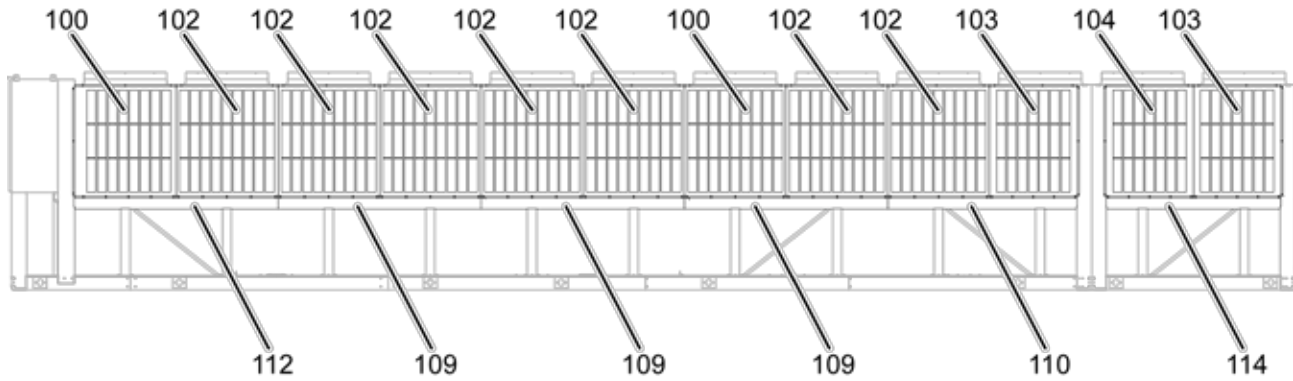


MODEL 0368/1288

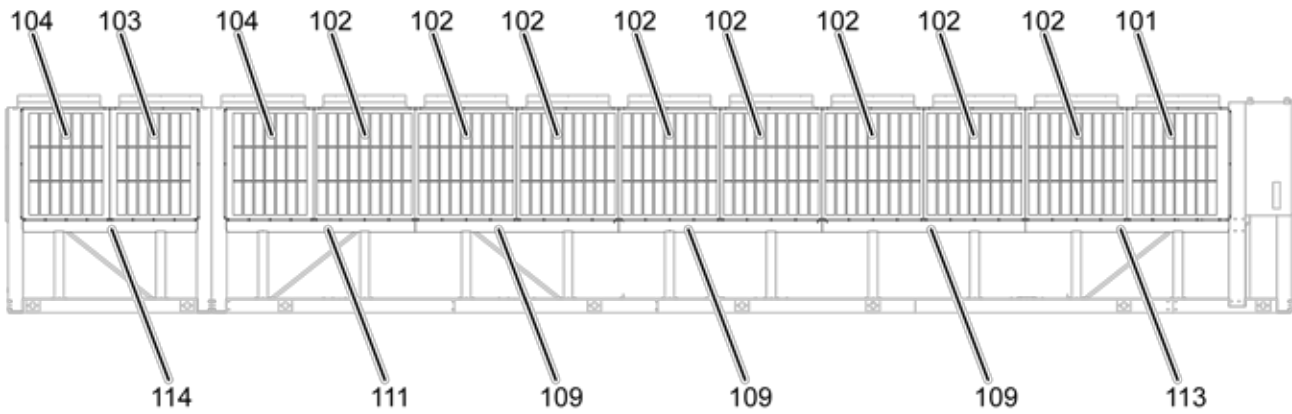
LD17456

**FIGURE 67 - TOP SECTION: LOUVERED ENCLOSURE KIT COMPONENTS - MODELS 0368/1288**

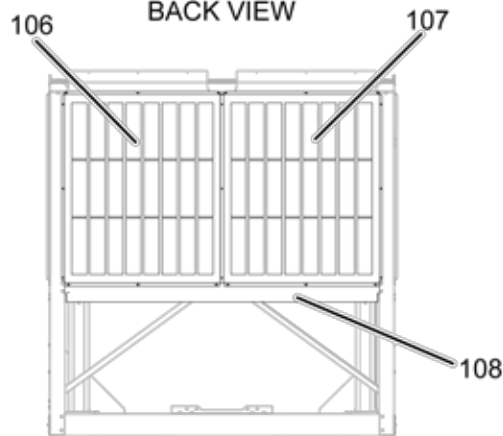
RIGHT SIDE VIEW



LEFT SIDE VIEW



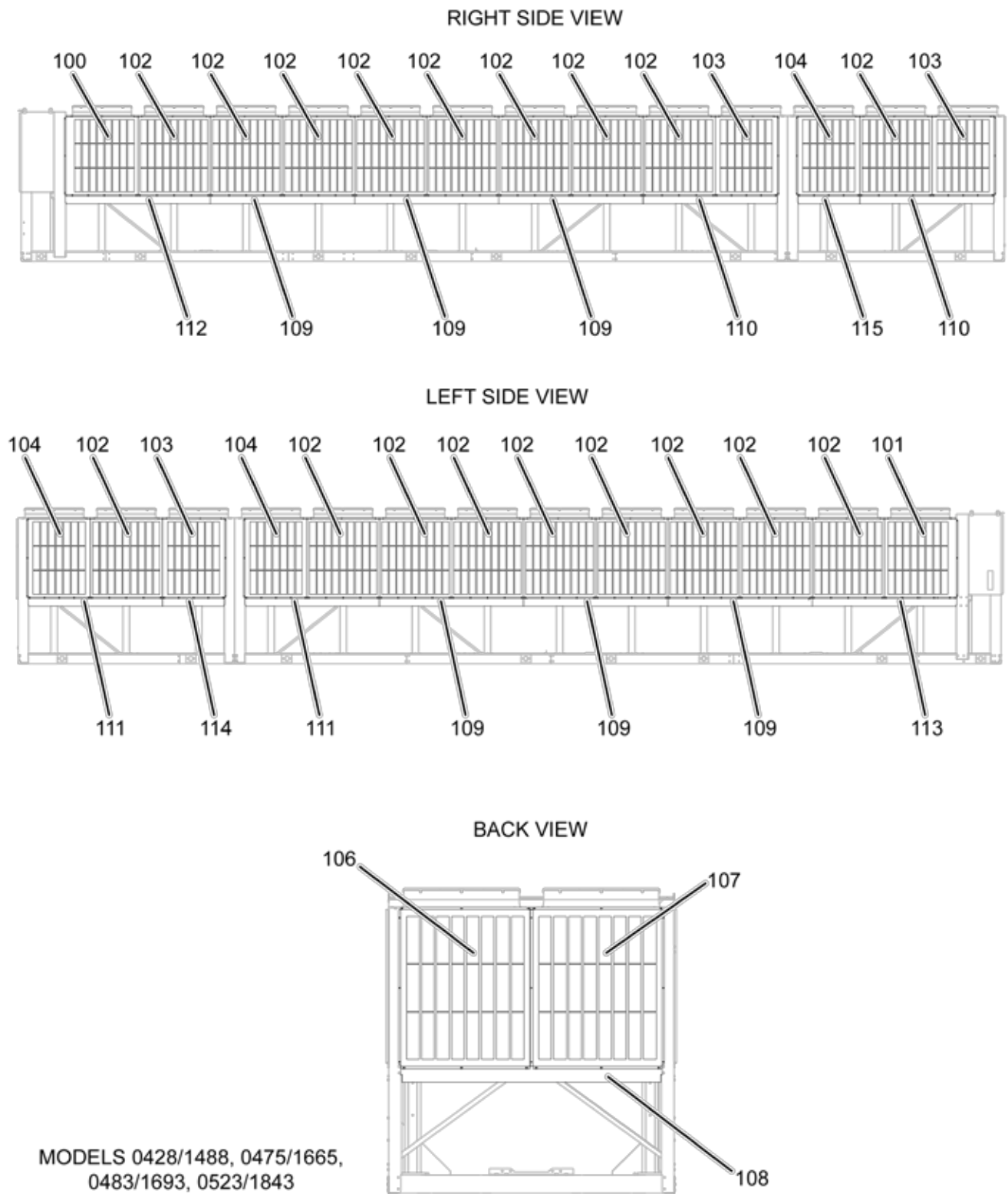
BACK VIEW



MODELS 0398/1388,  
0425/1515, 0443/1543

LD17457

FIGURE 68 - TOP SECTION: LOUVERED ENCLOSURE KIT COMPONENTS - MODELS 0398/1388, 0425/1515, 0443/1543



**FIGURE 69 - TOP SECTION: LOUVERED ENCLOSURE KIT COMPONENTS - MODELS 0428/1488, 0475/1665, 0483/1693, 0523/1843**

LD17458

**TABLE 83 - LOUVERED ENCLOSURE KIT COMPONENTS - BOTTOM**

ITEM	MODEL	PIN 54 =	DESCRIPTION	PART NUMBER	SAP NUMBER	QTY	FIGURE
100	0165/0565 - 0198/0688, 0213/0743 - 0345/1215	N	Panel, Enclosure	075-93275-012	677324	2	70-78
	0153/0543	N		075-93275-047	723066	2	
	0200/0700	N		075-93275-072	813835	1	
	0153/0543 - 0345/1215	X, E, R, A		075-93275-012	677324	2	
	0368/1288 - 0523/1843	X, E, R, A		075-93275-082	946856	2	
101	0165/0565 - 0195/0665, 0213/0743, 0215/0765, 0248/0888, 0273/0963, 0275/0965, 0305/1065, 0308/1088, 0333/1173, 0343/1193, 0345/1215	N	Panel, Enclosure	075-93275-031	677325	2	71, 73-78
	0218/0788, 0245/0865, 0278/0988	N		075-93275-031	677325	4	
	0198/0688, 0263/0943	N		075-93275-044	703271	8	
	0233/0843	N		075-93275-044	703271	4	
	0295/1015	N		075-93275-068	761454	2	
	0200/0700	N		075-93275-073	813836	1	
	0165/0565 - 0425/1515, 0443/1543, 0500/1700	X, E, R, A		075-93275-031	677325	4	
	0428/1488, 0475/1665, 0483/1693, 0523/1843	X, E, R, A		075-93275-031	677325	6	
102	0295/1015, 0305/1065, 0333/1173, 0345/1215	N	Panel, Enclosure	075-93275-031	677325	2	74,76, 77,78
	0218/0788, 0245/0865, 0248/0888, 0278/0988, 0308/1088, 0343/1193	N		075-93275-034	677326	1	
	0368/1288, 0373/1343, 0375/1315, 0398/1388, 0413/1443, 0425/1515, 0443/1543, 0500/1700	X, E, R, A		075-93275-029	677344	4	
	0428/1488, 0475/1665, 0483/1693, 0523/1843	X, E, R, A		075-93275-029	677344	6	
103	0308/1088, 0343/1193	N	Panel, Enclosure	075-93275-029	677344	2	70-78
	0295/1015, 0305/1065, 0333/1173, 0345/1215	N		075-93275-034	677326	1	
	0218/0788, 0245/0865, 0248/0888, 0278/0988	N		075-93275-035	677327	1	
	0153/0543, 0178/0588, 0195/0665, 0200/0700, 0213/0743, 0215/0765, 0233/0843	X, E, R, A		075-93275-010	677347	6	
	0165/0565, 0183/0643	X, E, R, A		075-93275-010	677347	4	
	0198/0688, 0218/0788, 0245/0865, 0263/0943, 0273/0963, 0275/0965	X, E, R, A		075-93275-010	677347	8	
	0248/0888, 0278/0988, 0295/1015, 0303/1093, 0323/1143	X, E, R, A		075-93275-010	677347	10	
	0305/1065, 0308/1088, 0333/1173, 0343/1193, 0368/1288	X, E, R, A		075-93275-010	677347	12	
	0318/1188, 0345/1215, 0373/1343, 0375/1315, 0398/1388, 0413/1443, 0425/1515, 0428/1488, 0443/1543, 0475/1665, 0483/1693, 0500/1700, 0523/1843	X, E, R, A		075-93275-010	677347	14	

**TABLE 83 - LOUVERED ENCLOSURE KIT COMPONENTS - BOTTOM (CONT'D)**

ITEM	MODEL	PIN 54 =	DESCRIPTION	PART NUMBER	SAP NUMBER	QTY	FIGURE
104	0305/1065, 0333/1173	N	Panel, Enclosure	075-93275-029	677344	2	70-78
	0278/0988	N		075-93275-030	677323	4	
	0178/0588, 0195/0665, 0213/0743, 0215/0765, 0273/0963, 0275/0965	N		075-93275-033	761451	2	
	0198/0688, 0233/0843, 0263/0943	N		075-93275-034	677326	1	
	0308/1088, 0343/1193	N		075-93275-035	677327	1	
	0345/1215	N		075-93275-048	723627	4	
	0153/0543 - 0345/1215, 0373/1343, 0375/1315, 0413/1443, 0500/1700	X, E, R, A		075-93275-034	677326	1	
	0368/1288, 0398/1388, 0425/1515, 0428/1488 - 0483/1693, 0523/1843	X, E, R, A		075-93275-034	677326	3	
105	0345/1215	N	Panel, Enclosure	075-93275-029	677344	2	73,74, 76-78
	0308/1088, 0343/1193	N		075-93275-030	677323	4	
	0278/0988	N		075-93275-032	677306	2	
	0295/1015, 0305/1065, 0333/1173	N		075-93275-035	677327	1	
	0368/1288, 0398/1388, 0425/1515, 0428/1488, 0443/1543, 0475/1665, 0483/1693, 0523/1843	X, E, R, A		075-93275-035	677327	3	
	0373/1343, 0375/1315, 0413/1443, 0500/1700	X, E, R, A		075-93275-035	677327	1	
106	0248/0888	N	Panel, Enclosure	075-93275-029	677344	2	71, 73-78
	0308/1088, 0343/1193	N		075-93275-032	677306	2	
	0345/1215	N		075-93275-035	677327	1	
	0165/0565 - 0345/1215	X, E, R, A		075-93275-029	677344	4	
	0278/0988	N	Angle, Support, Louvers	075-94066-000	671393	2	
	0218/0788, 0245/0865	N		075-94066-001	671394	2	
	0368/1288, 0398/1388, 0425/1515 - 0483/1693, 0523/1843	X, E, R, A		075-94066-002	671395	8	
0373/1343, 0375/1315, 0413/1443, 0500/1700	X, E, R, A	075-94066-002	671395	4			
107	0308/1088, 0343/1193	N	Panel, Enclosure	075-93275-068	761454	4	73,74, 76-78
	0248/0888	N		075-93275-069	821019	4	
	0295/1015	N	Angle, Support, Louvers	075-94066-001	671394	2	
	0218/0788, 0245/0865, 0278/0988	N		075-94066-002	671395	2	
	0368/1288 - 0523/1843	X, E, R, A	Bracket, Louver	092-13674-002	946862	2	
108	0198/0688, 0233/0843, 0263/0943	N	Panel, Enclosure	075-93275-035	677327	1	70-72, 74-78
	0305/1065, 0333/1173	N		075-93275-068	761454	4	
	0153/0543 - 0345/1215	X, E, R, A		075-93275-035	677327	1	
	0248/0888, 0308/1088, 0343/1193	N	Angle, Support, Louvers	075-94066-000	671393	2	
	0278/0988	N		075-94066-003	671398	2	
	0295/1015	N		075-94066-076	813838	1	
	0368/1288, 0373/1343, 0375/1315, 0413/1443, 0500/1700	X, E, R, A	Bracket, Louver	092-13674-000	946860	18	
	0398/1388, 0425/1515, 0443/1543	X, E, R, A		092-13674-000	946860	20	
	0428/1488, 0475/1665, 0483/1693, 0523/1843	X, E, R, A		092-13674-000	946860	22	

**TABLE 83 - LOUVERED ENCLOSURE KIT COMPONENTS - BOTTOM (CONT'D)**

ITEM	MODEL	PIN 54 =	DESCRIPTION	PART NUMBER	SAP NUMBER	QTY	FIGURE
109	0305/1065, 0333/1173	N	Angle, Support, Louvers	075-94066-000	671393	4	76-78
	0278/0988, 0345/1215	N		075-94066-001	671394	2	
	0248/0888, 0295/1015	N		075-94066-002	671395	2	
	0218/0788, 0245/0865	N		075-94066-012	678209	2	
	0308/1088, 0343/1193	N		075-94066-070	761872	1	
	0368/1288 - 0523/1843	X, E, R, A	Bracket, Louver	092-13674-003	946863	2	
110	0308/1088, 0343/1193	N	Angle, Support, Louvers	075-94066-002	671395	2	
	0305/1065, 0333/1173	N		075-94066-067	761869	1	
	0248/0888	N		075-94066-074	820952	1	
	0295/1015	N		075-94066-075	813837	1	
	0345/1215	N		075-94066-079	825620	4	
111	0165/0565, 0183/0643, 0178/0588, 0195/0665, 0213/0743, 0215/0765, 0233/0843	N	Angle, Support, Louvers	075-94066-001	671394	2	70-75
	0305/1065, 0333/1173, 0345/1215	N		075-94066-002	671395	2	
	0153/0543	N		075-94066-031	723067	2	
	0198/0688, 0263/0943	N		075-94066-042	723061	2	
	0248/0888	N		075-94066-072	820950	2	
	0200/0700	N		075-94066-077	813839	1	
	0153/0543 - 0198/0688, 0213/0743 - 0345/1215	X, E, R, A		075-94066-001	671394	2	
0200/0700	X, E, R, A	075-94066-007	695230	2			
112	0233/0843	N	Angle, Support, Louvers	075-94066-023	704227	2	71-72, 74,75
	0198/0688, 0263/0943	N		075-94066-043	723029	2	
	0200/0700	N		075-94066-078	813840	1	
	0178/0588, 0195/0665, 0213/0743, 0215/0765, 0233/0843, 0248/0888, 0278/0988, 0295/1015, 0303/1093, 0305/1065, 0308/1088, 0323/1143, 0333/1173, 0343/1193	X, E, R, A		075-94066-000	671393	6	
	0198/0688, 0218/0788, 0245/0865, 0263/0943, 0273/0963, 0275/0965	X, E, R, A		075-94066-000	671393	8	
	0318/1188, 0345/1215	X, E, R, A		075-94066-000	671393	10	
	0153/0543	X, E, R, A		075-94066-006	671803	6	
	0165/0565, 0183/0643	X, E, R, A		075-94066-006	671803	8	
	0200/0700	X, E, R, A		075-94066-008	695561	2	
	113	0178/0588, 0195/0665, 0198/0688, 0213/0743, 0215/0765, 0233/0843, 0263/0943		N	Angle, Support, Louvers	075-94066-002	
0308/1088, 0343/1193		N	075-94066-069	761871		2	
0248/0888		N	075-94066-073	820951		1	
0345/1215		N	075-94066-080	825621		1	
0153/0543 - 0198/0688, 0213/0743 - 0345/1215		X, E, R, A	075-94066-002	671395		2	
0200/0700		X, E, R, A	075-94066-010	695563		2	

**TABLE 83 - LOUVERED ENCLOSURE KIT COMPONENTS - BOTTOM (CONT'D)**

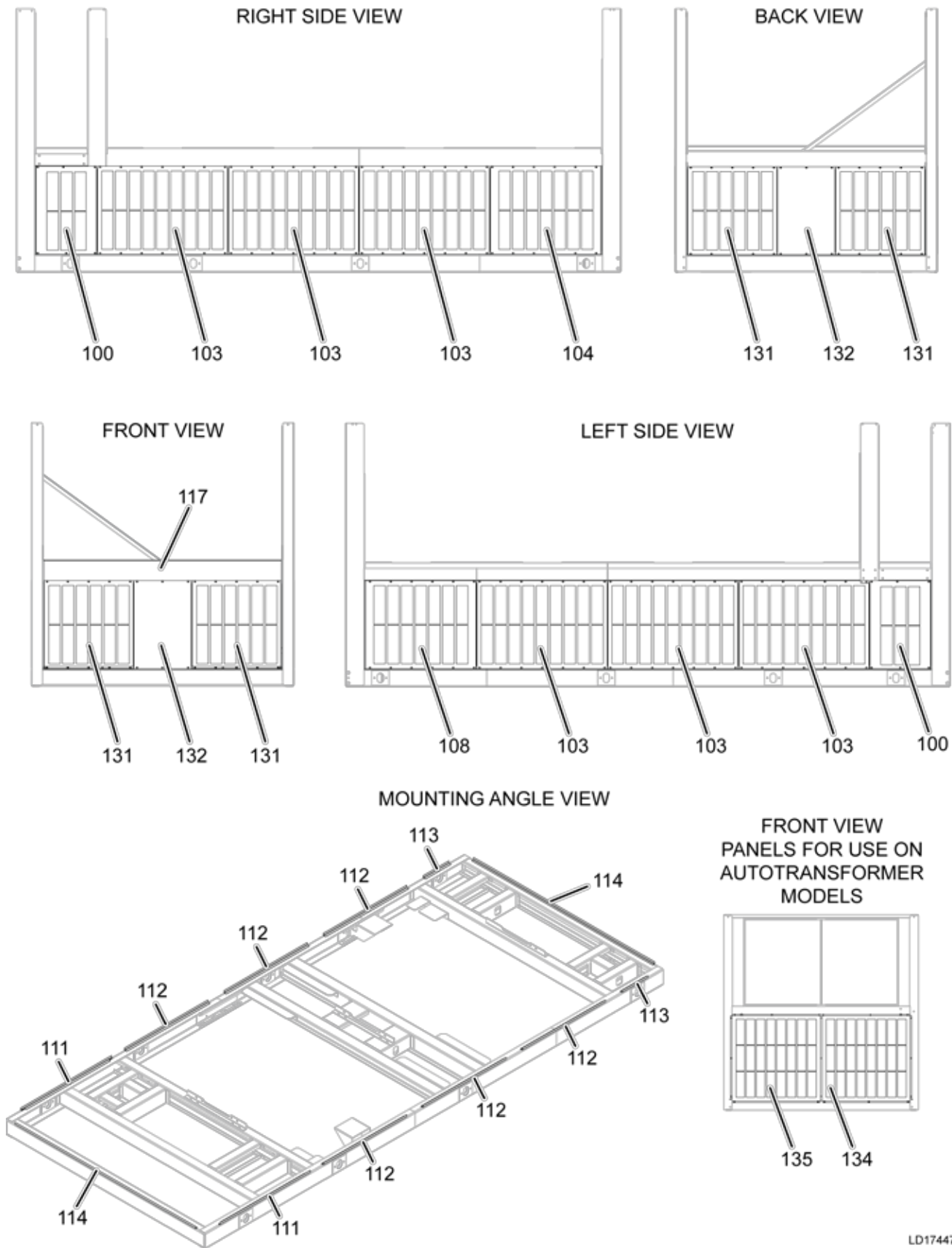
ITEM	MODEL	PIN 54 =	DESCRIPTION	PART NUMBER	SAP NUMBER	QTY	FIGURE
114	0273/0963, 0275/0965	N	Angle, Support, Louvers	075-94066-001	671394	2	70-78
	0153/0543 - 0343/1193	N		075-94066-003	671398	1	
	0345/1215	N		075-94066-081	825622	1	
	All	X, E, R, A		075-94066-003	671398	1	
115	0273/0963, 0275/0965	N	Angle, Support, Louvers	075-94066-002	671395	2	71, 73-78
	0198/0688, 0263/0943	N		075-94066-041	723063	2	
	0305/1065, 0333/1173	N		075-94066-068	761870	1	
	0308/1088, 0343/1193	N		075-94066-071	761873	1	
	0178/0588, 0195/0665, 0198/0688, 0213/0743, 0215/0765, 0218/0788, 0233/0843, 0245/0865, 0263/0943, 0273/0963, 0275/0965	X, E, R, A		075-94066-004	671396	2	
	0248/0888, 0278/0988, 0295/1015, 0303/1093, 0318/1188, 0323/1143, 0345/1215	X, E, R, A		075-94066-004	671396	4	
	0305/1065, 0308/1088, 0333/1173, 0343/1193	X, E, R, A	075-94066-004	671396	5		
0368/1288 - 0523/1843	X, E, R, A	Bracket, Louver	092-13674-004	946864	1		
116	0305/1065, 0333/1173	N	Angle, Support, Louvers	075-94066-069	761871	2	71, 73-75
	0178/0588, 0195/0665, 0198/0688, 0213/0743, 0215/0765, 0218/0788, 0233/0843, 0245/0865, 0263/0943, 0273/0963, 0275/0965	X, E, R, A		075-94066-005	671397	2	
	0248/0888, 0278/0988, 0295/1015, 0303/1093, 0318/1188, 0323/1143, 0345/1215	X, E, R, A		075-94066-005	671397	4	
	0305/1065, 0308/1088, 0333/1173, 0343/1193	X, E, R, A		075-94066-005	671397	5	
117	0153/0543 - 0345/1215	All	Rail, Support, Louvers	075-84415-001	677345	1	70-78
	0368/1288 - 0523/1843	X, E, R, A	Bracket, Louver	092-13674-001	946861	1	
118	0200/0700	X, E, R, A	Panel, Enclosure	075-93275-037	761452	2	72
119	0200/0700	X, E, R, A	Angle, Support, Louvers	075-94066-009	695562	2	72
120	0200/0700	X, E, R, A	Angle, Support, Louvers	075-94066-011	695564	2	72
131	All	All	Panel, Enclosure	075-93275-030	677323	2	70-78
132	All	All	Panel, Enclosure	075-93275-032	677306	1	70-78
133	0368/1288 - 0523/1843	X, E, R, A	Panel, Enclosure	075-93275-083	946857	2	76-78
134	0153/0543 - 0345/1215	All	Panel, Enclosure	075-93275-078	857676	1	70-78
	0368/1288 - 0523/1843	X, E, R, A		075-93275-085	946859	1	
135	0153/0543 - 0345/1215	All	Panel, Enclosure	075-93275-079	857677	1	70-78
	0368/1288 - 0523/1843	X, E, R, A		075-93275-084	946858	1	

**TABLE 84 - WIRE-LOUVERED ENCLOSURE KIT COMPONENTS - BOTTOM**

ITEM	MODEL	PIN 54 =	DESCRIPTION	PART NUMBER	SAP NUMBER	QTY	FIGURE	
100	0178/0588, 0195/0665, 0213/0743, 0215/0765, 0233/0843, 0305/1065, 0308/1088, 0333/1173, 0343/1193	X, E, R, A	Angle, Louvers Support	075-94066-000	671393	6	70-78	
	0198/0688, 0218/0788, 0245/0865, 0263/0943, 0273/0963, 0275/0965	X, E, R, A		075-94066-000	671393	8		
	0248/0888, 0278/0988, 0295/1015, 0303/1093, 0318/1188, 0323/1143, 0345/1215	X, E, R, A		075-94066-000	671393	10		
	0233/0843	N		075-94066-013	761863	2		
	0263/0943	N		075-94066-013	761863	4		
	0218/0788, 0245/0865, 0295/1015	N		075-94066-001	671394	2		
	0305/1065, 0333/1173	N		075-94066-000	671393	4		
	0308/1088, 0343/1193	N		075-94066-015	676710	2		
	0248/0888, 0278/0988	N		075-94066-000	671393	2		
	0318/1188, 0345/1215	N		075-94066-079	825620	4		
	0278/0988	N		075-94066-012	678209	4		
	0368/1288, 0373/1343, 0375/1315, 0413/1443, 0500/1700	X, E, R, A		Bracket, Louver	092-13674-000	946860		18
	0398/1388, 0425/1515, 0443/1543	X, E, R, A			092-13674-000	946860		20
	0428/1488, 0475/1665, 0483/1693, 0523/1843	X, E, R, A			092-13674-000	946860		22
101	0153/0543	N	Angle, Louvers Support	075-94066-031	723067	2	71, 73-78	
	0218/0788, 0245/0865, 0248/0888, 0295/1015	N		075-94066-002	671395	2		
	0165/0565 - 0215/0765, 0233/0843, 0263/0943 - 0278/0988, 0303/1093 - 0345/1215	N		075-94066-001	671394	2		
	0153/0543 - 0345/1215	X, E, R, A		075-94066-001	671394	2		
	0368/1288 - 0523/1843	X, E, R, A		Bracket, Louver	092-13674-002	946862		2
102	0178/0588, 0195/0665, 0213/0743, 0215/0765, 0233/0843, 0263/0943 - 0278/0988, 0303/1093 - 0345/1215	N	Angle, Louvers Support	075-94066-002	671395	2	74,76, 77,78	
	0200/0700	N		075-94066-078	813840	1		
	0218/0788, 0245/0865	N		075-94066-012	678209	2		
	0295/1015	N		075-94066-075	813837	1		
	0153/0543 - 0345/1215	X, E, R, A		075-94066-002	671395	2		
	0368/1288, 0398/1388, 0425/1515 - 0483/1693, 0523/1843	X, E, R, A		075-94066-002	671395	8		
	0373/1343, 0375/1315, 0413/1443, 0500/1700	X, E, R, A		075-94066-002	671395	4		
103	All	All	Angle, Louvers Support	075-94066-003	671398	1	70-78	

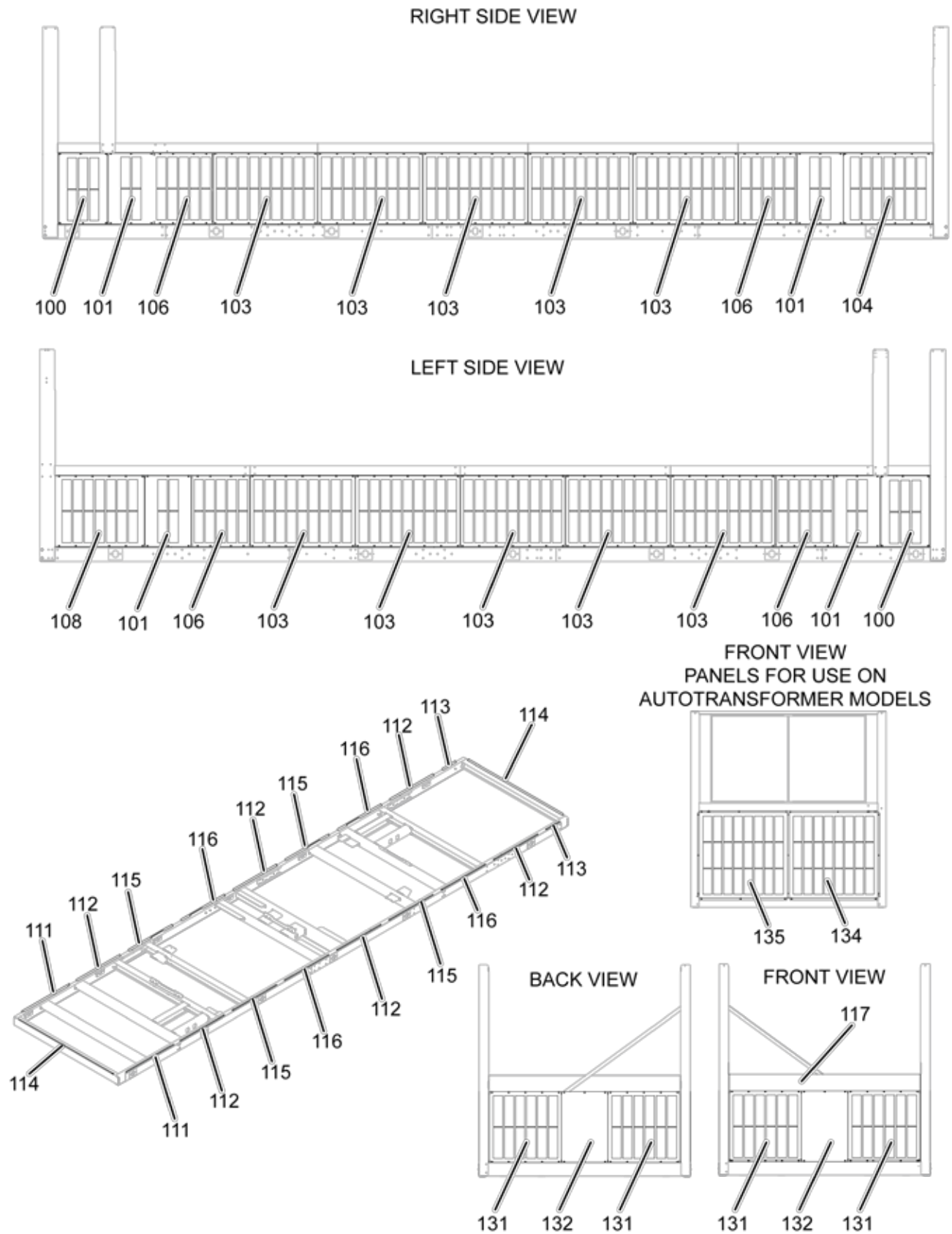
**TABLE 84 - WIRE-LOUVERED ENCLOSURE KIT COMPONENTS - BOTTOM (CONT'D)**

ITEM	MODEL	PIN 54 =	DESCRIPTION	PART NUMBER	SAP NUMBER	QTY	FIGURE
104	0178/0588, 0195/0665, 0198/0688, 0213/0743 - 0303/1093, 0323/1143	X, E, R, A	Angle, Louvers Support	075-94066-004	671396	2	70-78
	0318/1188, 0345/1215	X, E, R, A		075-94066-004	671396	4	
	0305/1065, 0308/1088, 0333/1173, 0343/1193	X, E, R, A		075-94066-004	671396	5	
	0303/1093	N		075-94066-064	761866	1	
	0323/1143	N		075-94066-066	761868	2	
	0305/1065, 0308/1088, 0333/1173, 0343/1193	N		075-94066-068	761870	1	
	0248/0888	N		075-94066-073	820951	1	
	0295/1015	N		075-94066-076	813838	1	
	0318/1188, 0345/1215	N		075-94066-080	825621	1	
	0368/1288 - 0523/1843	X, E, R, A	Bracket, Louver	092-13674-003	946863	2	
105	0178/0588 - 0303/1093, 0323/1143	X, E, R, A	Angle, Louvers Support	075-94066-005	671397	2	73,74, 76-78
	0318/1188, 0345/1215	X, E, R, A		075-94066-005	671397	4	
	0305/1065, 0308/1088, 0333/1173, 0343/1193	X, E, R, A		075-94066-005	671397	5	
	0303/1093	N		075-94066-065	761867	1	
	0305/1065, 0308/1088, 0333/1173, 0343/1193	N		075-94066-067	761869	1	
	0248/0888	N		075-94066-074	820952	1	
	0318/1188, 0345/1215	N		075-94066-081	825622	1	
	0368/1288 - 0523/1843	X, E, R, A	Angle, Grille Support	092-13674-005	985768	2	
106	0153/0543	X, E, R, A	Angle, Louvers Support	075-94066-006	671803	6	71, 73-78
	0165/0565, 0183/0643	X, E, R, A		075-94066-006	671803	8	
	0303/1093	N		075-94066-000	671393	2	
	0278/0988	N		075-94066-020	703244	2	
107	0278/0988	N	Angle, Louvers Support	075-94066-021	703608	2	73,74, 76-78
108	0278/0988	N	Angle, Louvers Support	075-94066-018	703048	1	70-72, 74-78
109	0278/0988	N	Angle, Louvers Support	075-94066-062	725895	1	76-78
114	0200/0700	X, E, R, A	Angle, Louvers Support	075-94066-008	695561	2	70-78
115	0200/0700	X, E, R, A	Angle, Louvers Support	075-94066-009	695562	2	71, 73-78
116	0200/0700	X, E, R, A	Angle, Louvers Support	075-94066-010	695563	2	71, 73-75
117	0200/0700	X, E, R, A	Angle, Louvers Support	075-94066-011	695564	2	70-78
120	0153/0543 - 0345/1215	All	Angle, Grille Support	075-94066-082	919198	2	72



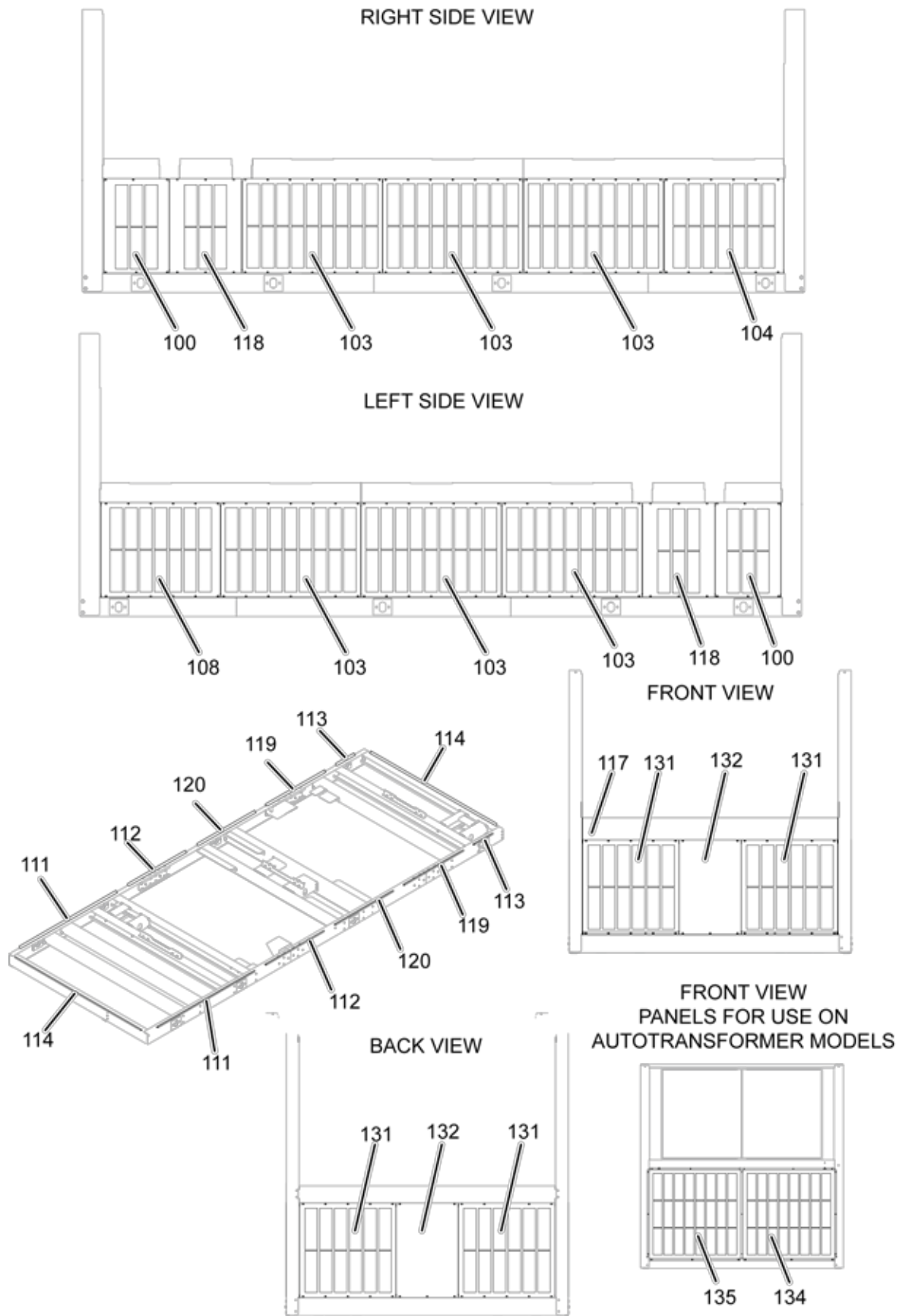
LD17447a

**FIGURE 70 - BOTTOM SECTION: LOUVERED ENCLOSURE KIT COMPONENTS - MODEL 0153/0543**



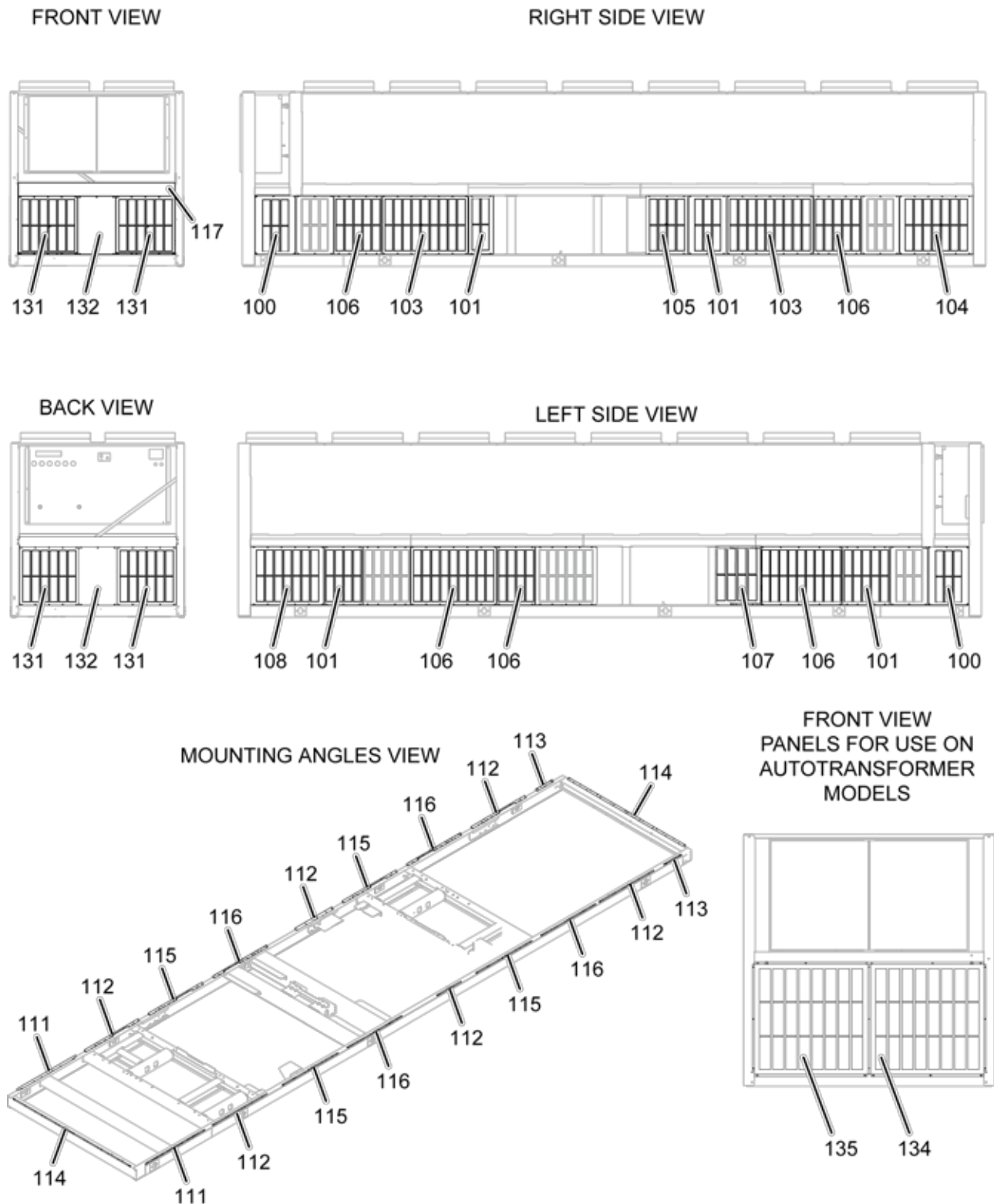
LD17445a

**FIGURE 71 - BOTTOM SECTION: LOUVERED ENCLOSURE KIT COMPONENTS - MODEL 0165/0565 - 0198/0688, 0213/0743 - 0295/1015, 0323/1143, 0343/1193**



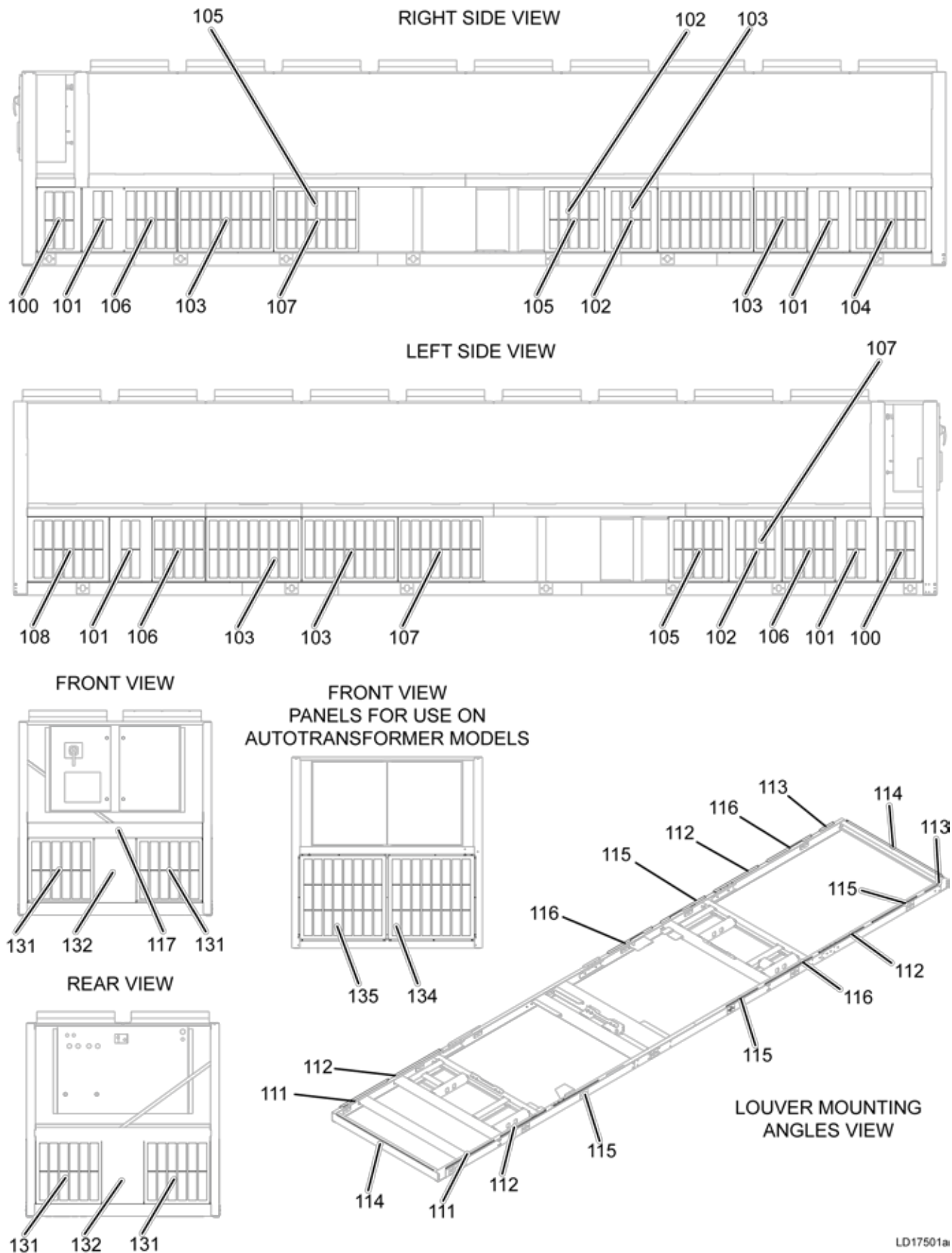
LD17446a

**FIGURE 72 - BOTTOM SECTION: LOUVERED ENCLOSURE KIT COMPONENTS - MODEL 0200/0700**



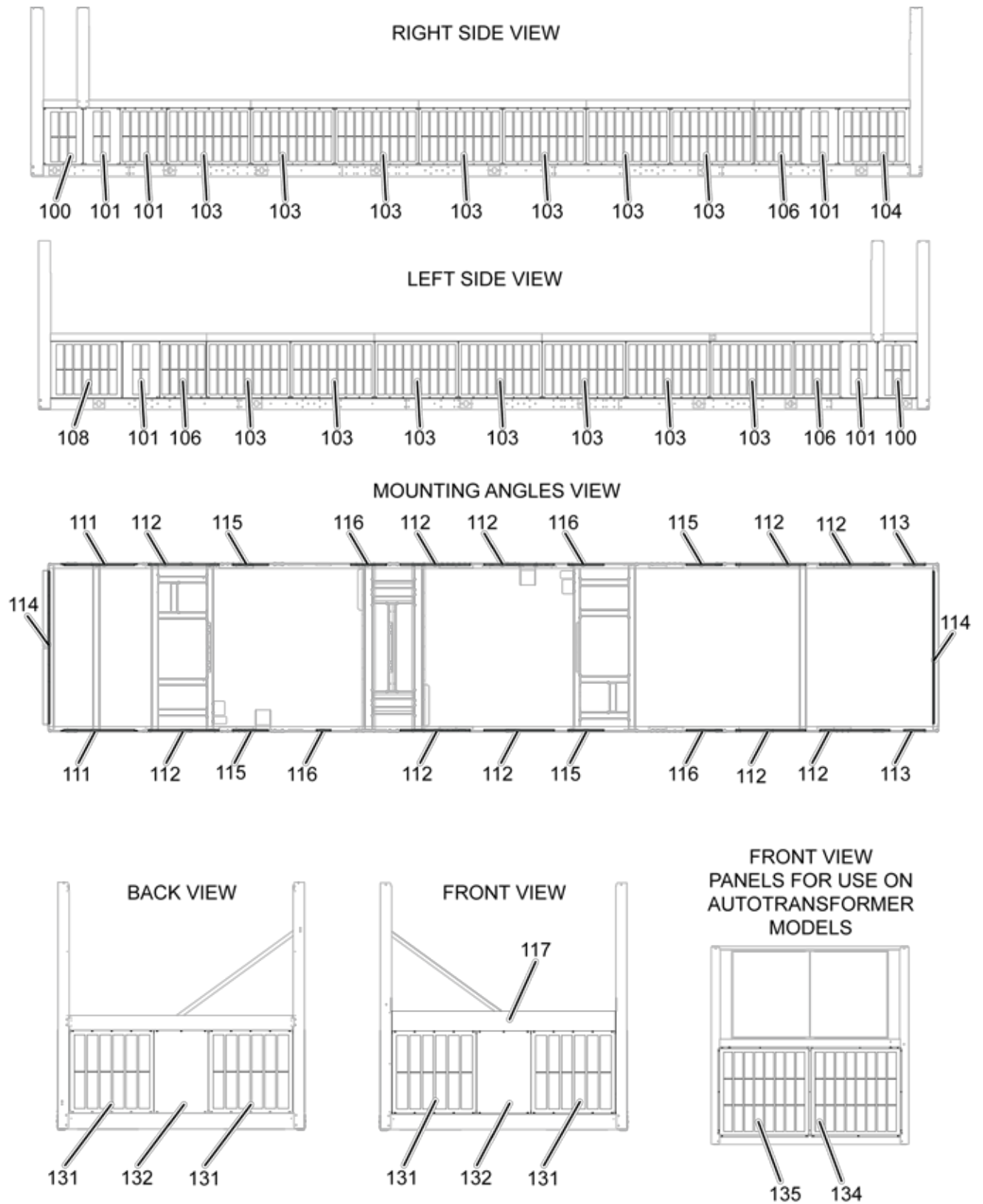
LD17290a

**FIGURE 73 - BOTTOM SECTION: LOUVERED ENCLOSURE KIT COMPONENTS - MODELS 0303/1093, 0318/1188**



LD17501a

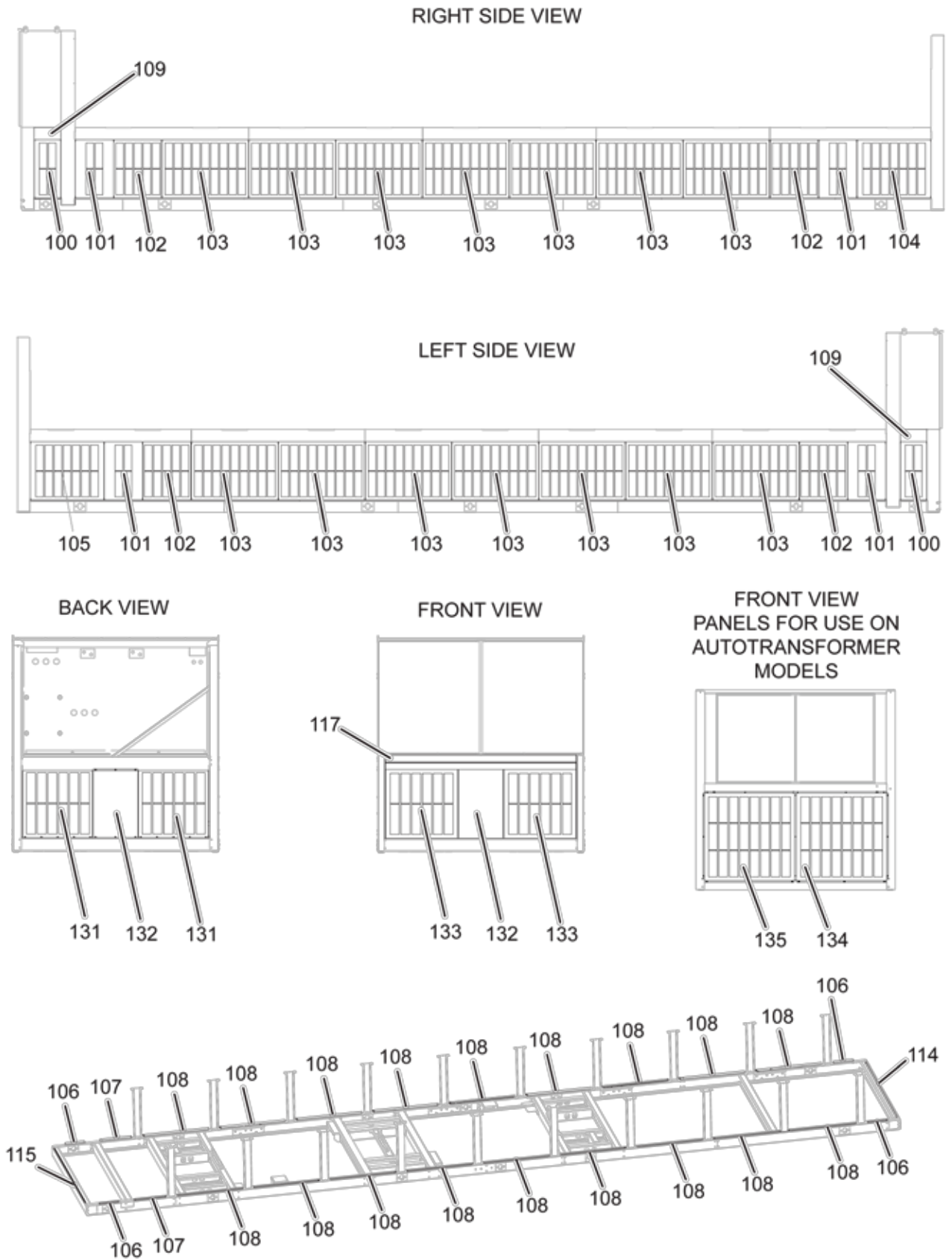
**FIGURE 74 - BOTTOM SECTION: LOUVERED ENCLOSURE KIT COMPONENTS - MODELS 0305/1065, 0308/1088, 0333/1173**



LD17444a

**FIGURE 75 - BOTTOM SECTION: LOUVERED ENCLOSURE KIT COMPONENTS - MODEL 0345/1215**

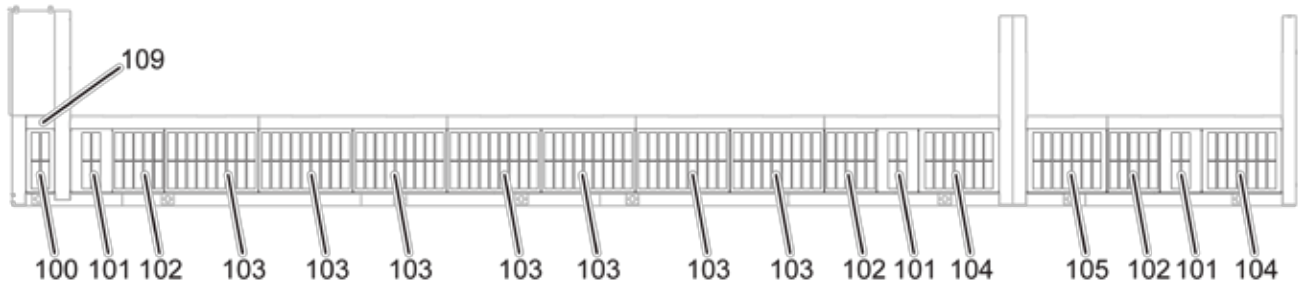




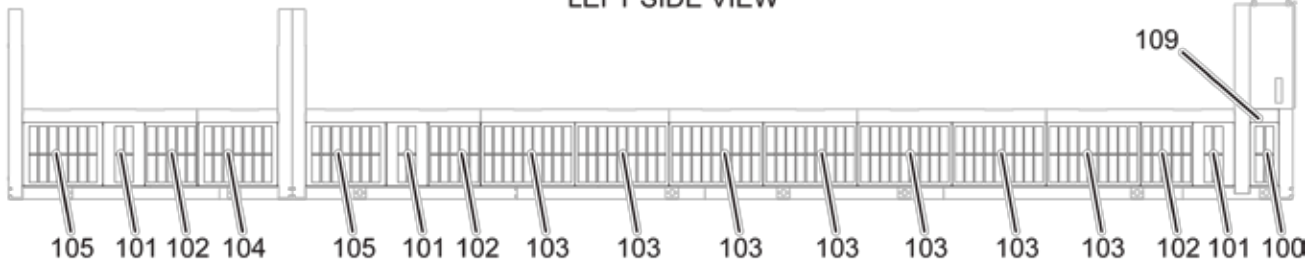
LD17503a

**FIGURE 77 - BOTTOM SECTION: LOUVERED ENCLOSURE KIT COMPONENTS - MODEL 0373/1343, 0375/1315, 0413/1443, 0500/1700**

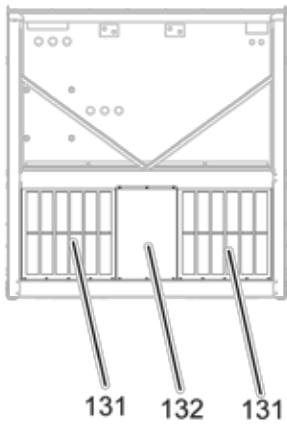
RIGHT SIDE VIEW



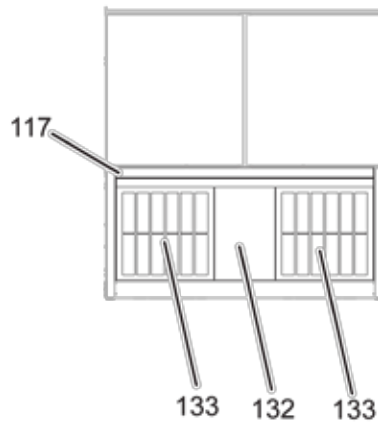
LEFT SIDE VIEW



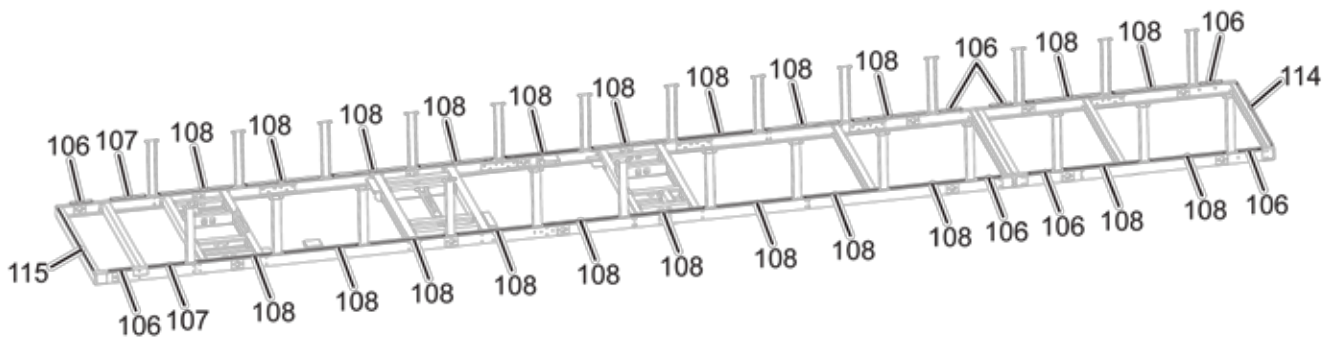
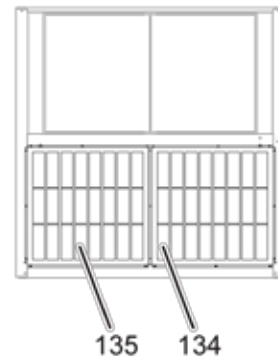
BACK VIEW



FRONT VIEW



FRONT VIEW  
 PANELS FOR USE ON  
 AUTOTRANSFORMER  
 MODELS



LD17468a

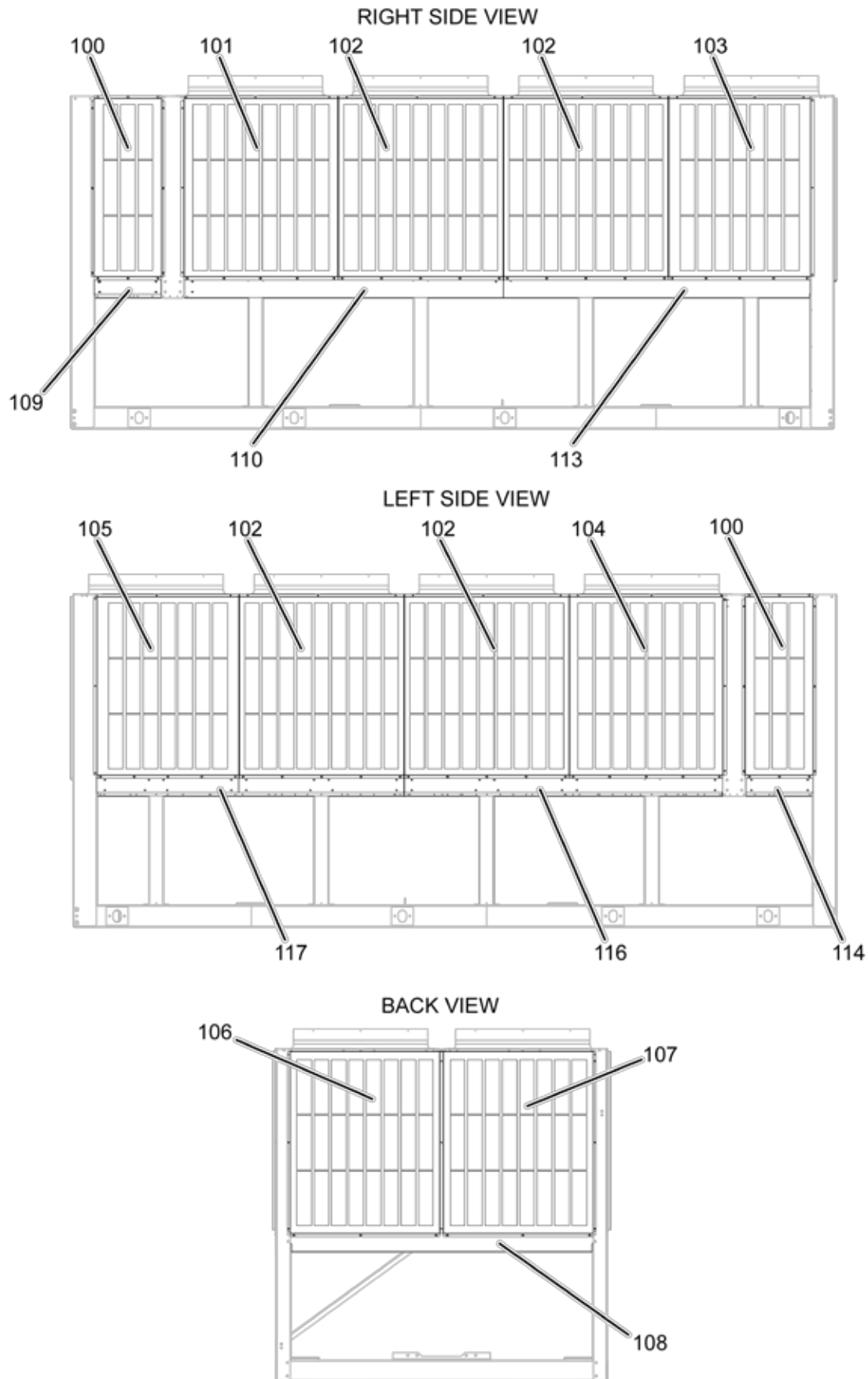
**FIGURE 78 - BOTTOM SECTION: LOUVERED ENCLOSURE KIT COMPONENTS - MODEL 0428/1488, 0475/1665, 0483/1693, 0523/1843**

**TABLE 85 - LOUVERED ENCLOSURE (COND. ONLY)**

ITEM	MODEL	DESCRIPTION	PART NUMBER	SAP NUMBER	QUANTITY	FIGURE
100	0153/0543 - 0345/1215	Panel Enclosure	075-93275-001	668145	2	79-85
	0368/1288 - 0523/1843,		075-93275-080	946854	1	
101	0153/0543 - 0345/1215	Panel Enclosure	075-93275-004	677285	1	79-85
	0368/1288 - 0523/1843,		075-93275-081	946855	1	
102	0153/0543, 0200/0700	Panel Enclosure	075-93275-002	677287	4	79-85
	0165/0565, 0183/0643				6	
	0178/0588, 0195/0665, 0213/0743, 0215/0765, 0233/0843,				8	
	0198/0688, 0218/0788, 0245/0865, 0263/0943, 0273/0963, 0275/0965				10	
	0248/0888, 0278/0988, 0295/1015, 0303/1093, 0323/1143,				12	
	0303/1093, 0305/1065, 0308/1088, 0323/1143, 0368/1288				14	
	0318/1188, 345/1215, 0373/1343, 0375/1315, 0398/1388, 0413/1443, 0425/1515, 0443/1543, 0500/1700,				16	
	0428/1488, 0475/1665, 0483/1693, 0523/1843,				18	
103	0153/0543 - 0345/1215, 0373/1343, 0375/1315, 0413/1443, 0500/1700	Panel Enclosure	075-93275-003	677288	1	79-81, 83-85
	0368/1288, 0398/1388, 0425/1515 - 0483/1693, 0523/1843				3	
104	0153/0543 - 0345/1215	Panel Enclosure	075-93275-006	677290	1	79-85
	0368/1288 - 0523/1843,		075-93275-005	677289	1	
105	0153/0543 - 0345/1215	Panel Enclosure	075-93275-005	677289	1	79-82
106	ALL	Panel Enclosure	075-93275-007	677301	1	79-85
107	ALL	Panel Enclosure	075-93275-008	677302	1	79-85
108	ALL	Rail Support Louvers	075-84415-000	671299	1	79-85
109	0153/0543 - 0345/1215	Panel Cover Wiring Tray	092-03563-001	768462	1	79,80, 82-85
	0368/1288		092-03563-007	768468	4	
	0373/1343 - 0523/1843				6	
110	0153/0543 - 0345/1215,	Panel Cover Wiring Tray	092-03563-002	768463	1	79,80, 82-85
	0368/1288 - 0425/1515, 0443/1543, 0500/1700		092-03563-003	768464	1	
	0428/1488, 0475/1665, 0483/1693, 0523/1843		092-03563-003	768464	2	
111	0165/0565 - 0195/0665, 0213/0743, 0215/0765, 0233/0843,	Panel Cover Wiring Tray	092-03563-007	768468	2	81-85
	0198/0688, 0218/0788, 0245/0865 - 0308/1088, 0323/1143 - 0343/1193				4	
	0318/1188, 345/1215,				6	
	0368/1288, 0373/1343, 0375/1315, 0398/1388, 0413/1443, 0425/1515, 0443/1543, 0500/1700,		092-03563-006	768467	1	
	0428/1488, 0475/1665, 0483/1693, 0523/1843,				2	

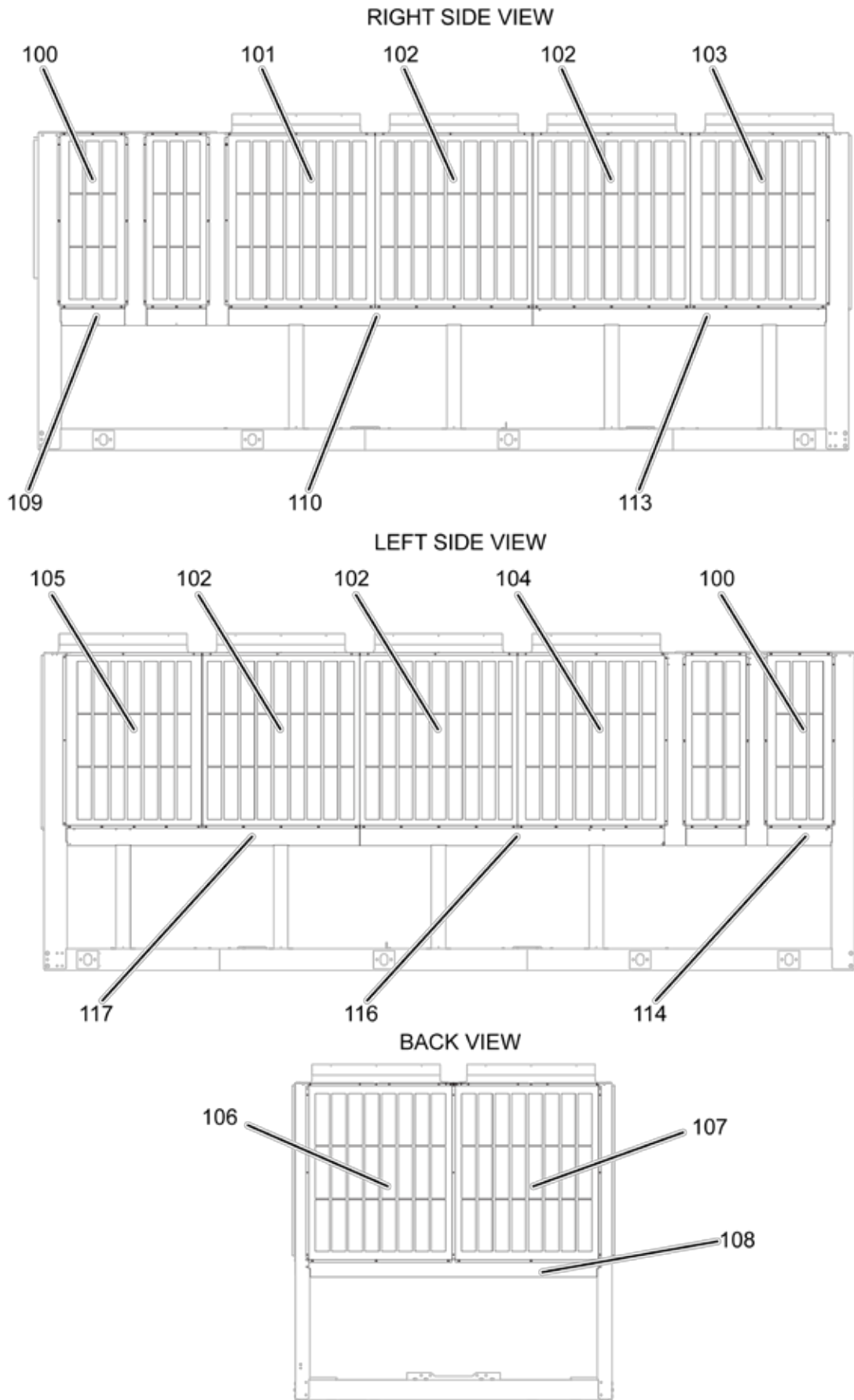
**TABLE 85 - LOUVERED ENCLOSURE (COND. ONLY) (CONT'D)**

ITEM	MODEL	DESCRIPTION	PART NUMBER	SAP NUMBER	QUANTITY	FIGURE
112	0305/1065, 0308/1088, 0333/1173, 0343/1193	Panel Cover Wiring Tray	092-03563-010	768471	2	83, 84, 85
	0368/1288 - 0523/1843,		092-03563-012	987146	1	
113	0153/0543, 0178/0588, 0195/0665, 0200/0700 - 0215/0765, 0233/0843, 0248/0888, 0278/0988, 0295/1015 - 345/1215,	Panel Cover Wiring Tray	092-03563-003	768464	1	79, 80, 82-85
	0165/0565, 0183/0643, 0198/0688, 0218/07880245/0865, 0263/0943, 0273/0963, 0275/0965		092-03563-008	768469	1	
	0368/1288, 0373/1343, 0375/1315, 0398/1388, 0413/1443, 0425/1515, 0428/1488, 0443/1543, 0475/1665, 0483/1693, 0500/1700, 0523/1843,		092-03563-013	987147	1	
114	0153/0543 - 0345/1215,	Panel Cover Wiring Tray	092-03563-004	768465	1	79-82, 84, 85
	0428/1488, 0475/1665, 0483/1693, 0523/1843,		092-03563-008	768469	1	
	0368/1288		092-03563-010	768471	2	
115	0165/0565, 0183/0643, 0198/0688, 0218/0788, 0245/0865, 0248/0888 - 345/1215,	Panel Cover Wiring Tray	092-03563-005	768466	1	81, 82, 84, 85
	0368/1288, 0398/1388, 0425/1515, 0443/1543		092-03563-014	988797	2	
	0428/1488, 0475/1665, 0483/1693, 0523/1843,		092-03563-009	768470	1	
116	0153/0543, 0200/0700	Panel Cover Wiring Tray	092-03563-005	768466	1	79-81
	0305/1065, 0308/1088, 0333/1173, 0343/1193		092-03563-006	768467	1	
117	0153/0543, 0178/0588, 0195/0665, 0200/0700, 0213/0743, 0215/0765, 0233/0843, 0248/0888, 0278/0988, 0295/1015, 0303/1093, 0318/1188, 0323/1143, 345/1215,	Panel Cover Wiring Tray	092-03563-006	768467	1	79-82
	0165/0565, 0183/0643, 0198/0688, 0218/07880245/0865, 0263/0943, 0273/0963, 0275/0965		092-03563-009	768470	1	



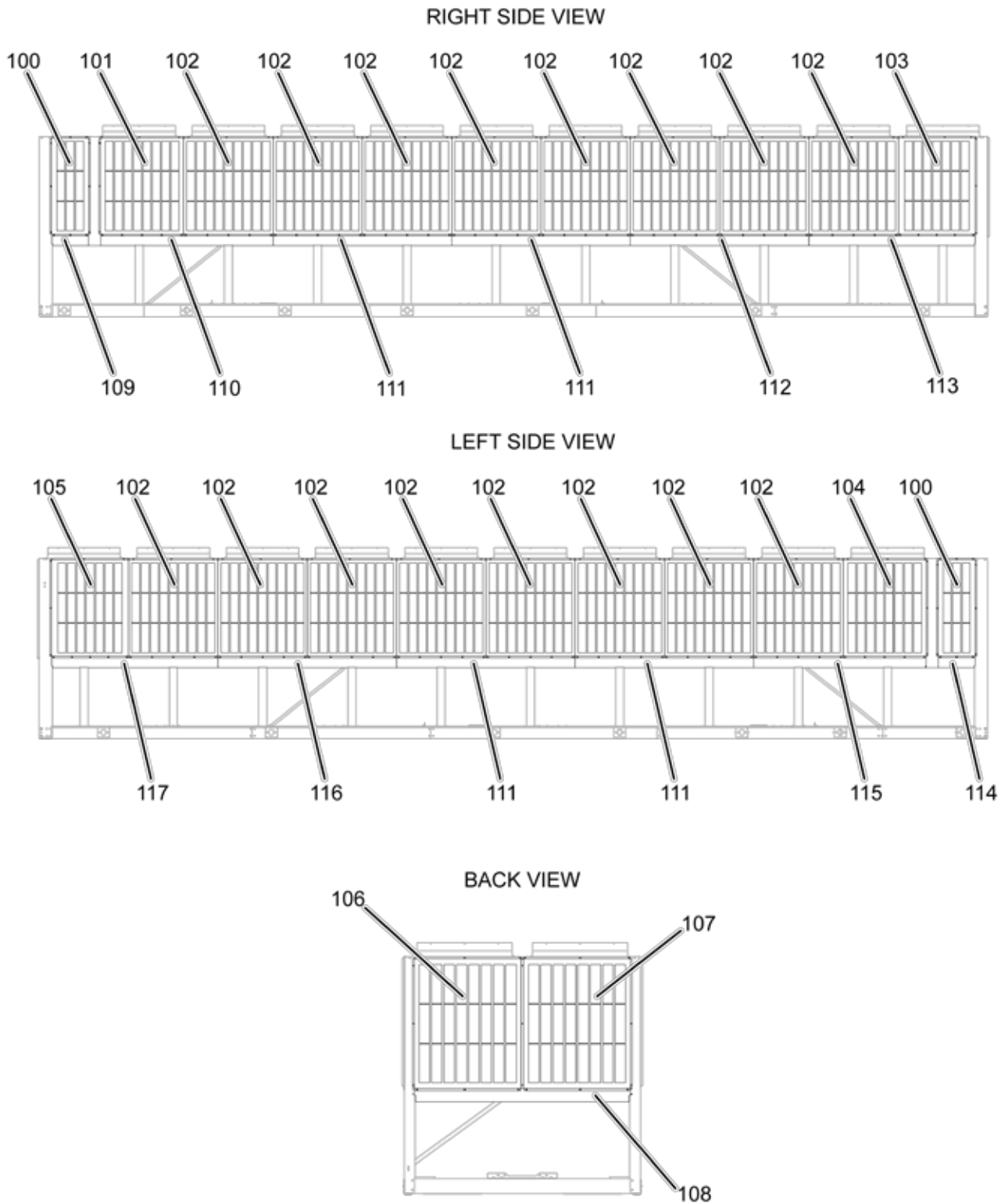
LD17448

**FIGURE 79 - LOUVERED ENCLOSURE (COND. ONLY) MODEL 0153/0543**



**FIGURE 80 - LOUVERED ENCLOSURE (COND. ONLY) MODEL 0200/0700**

LD1744S

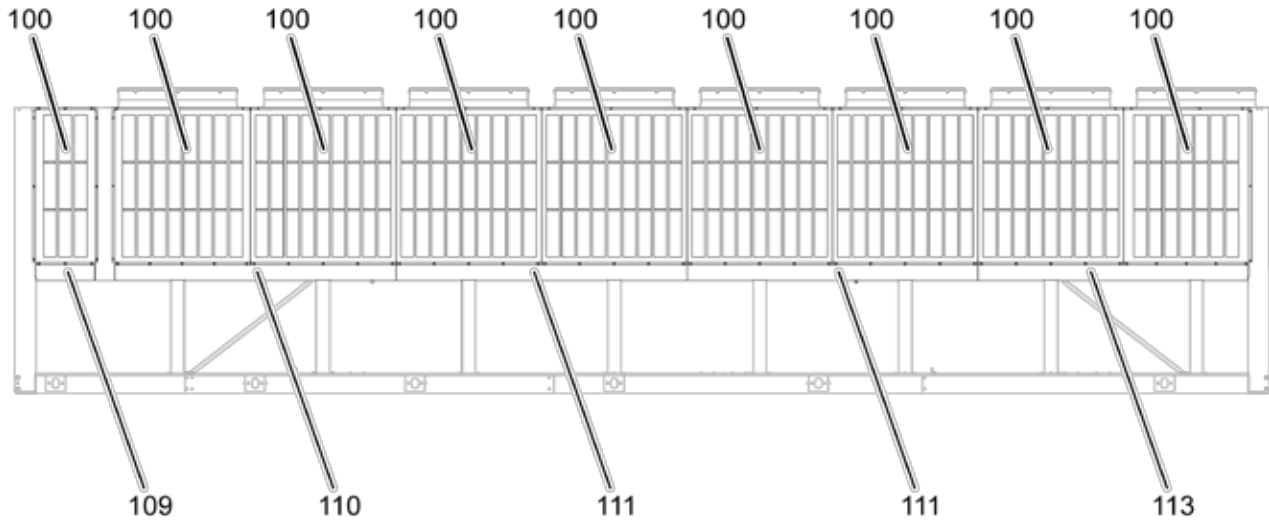


MODEL 0345/1215

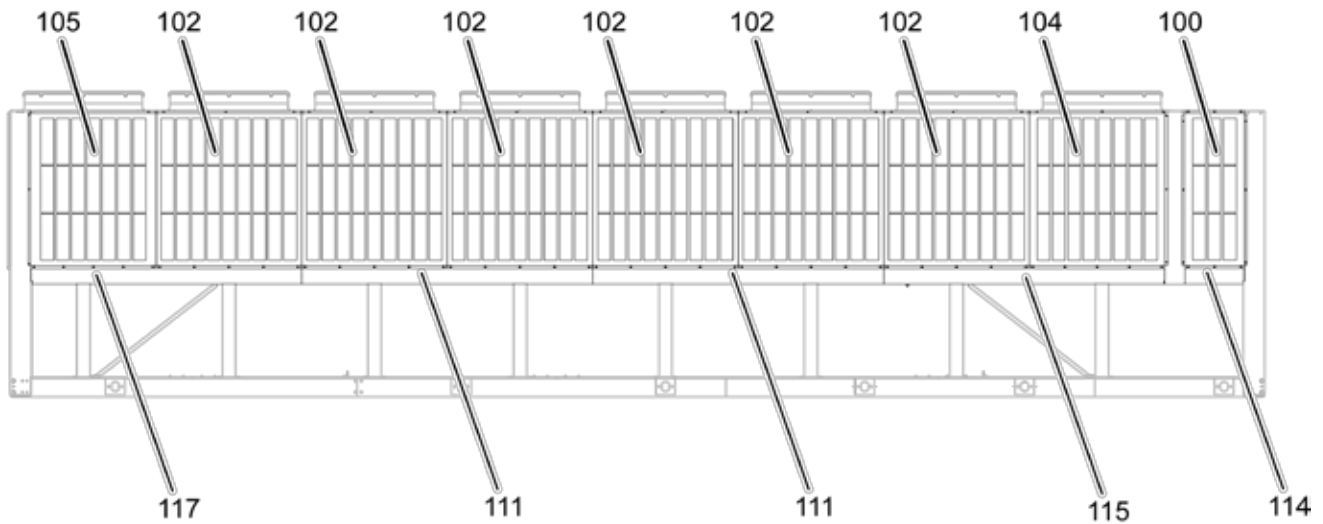
LD1745G

**FIGURE 81 - LOUVERED ENCLOSURE (COND. ONLY) MODEL 0345/1215**

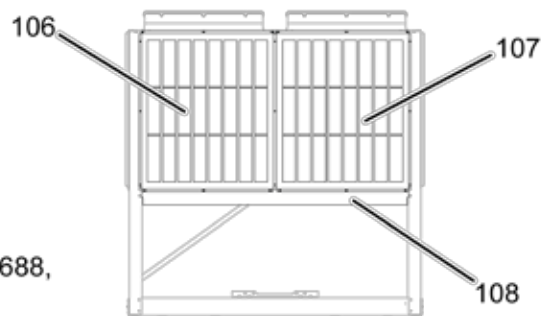
RIGHT SIDE VIEW



LEFT SIDE VIEW



BACK VIEW

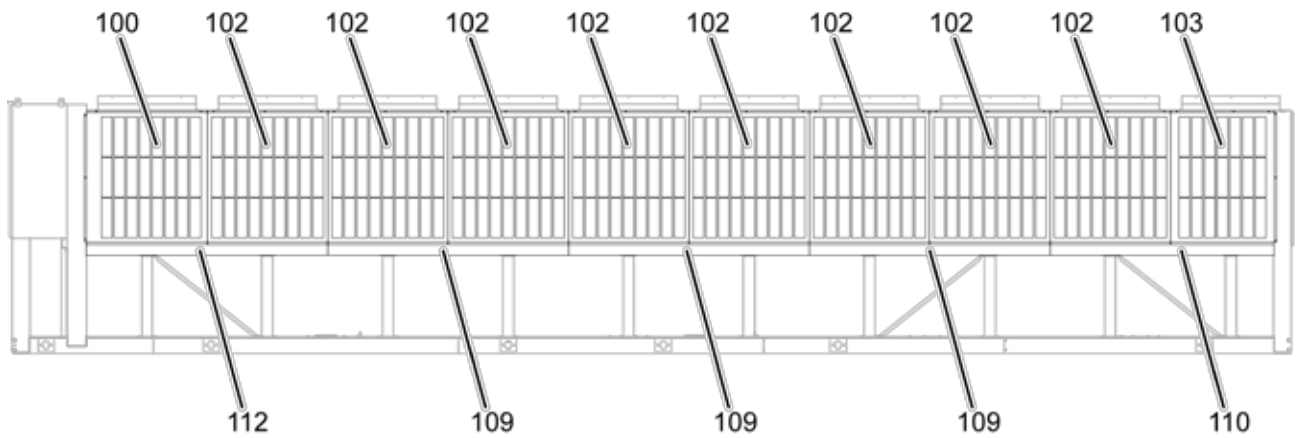


MODELS 0153/0543 - 0198/0688,  
0213/0743 - 0295/1015,  
0303/1093, 0323/1143

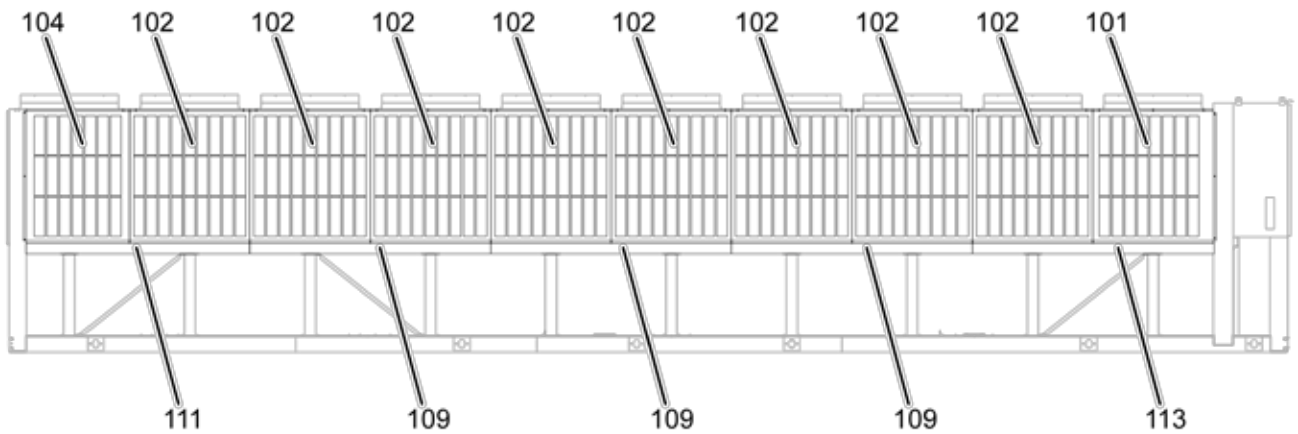
LD17451

FIGURE 82 - LOUVERED ENCLOSURE (COND. ONLY) MODEL 0153/0543 - 0198/0688, 0213/0743 - 0295/1015, 0303/1093, 0323/1143

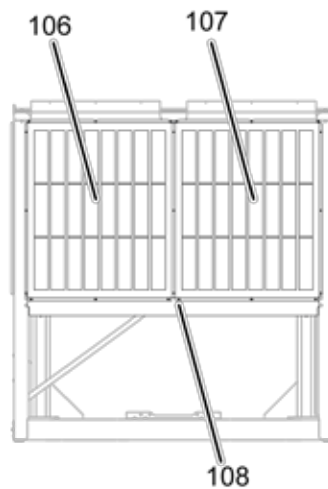
RIGHT SIDE VIEW



LEFT SIDE VIEW



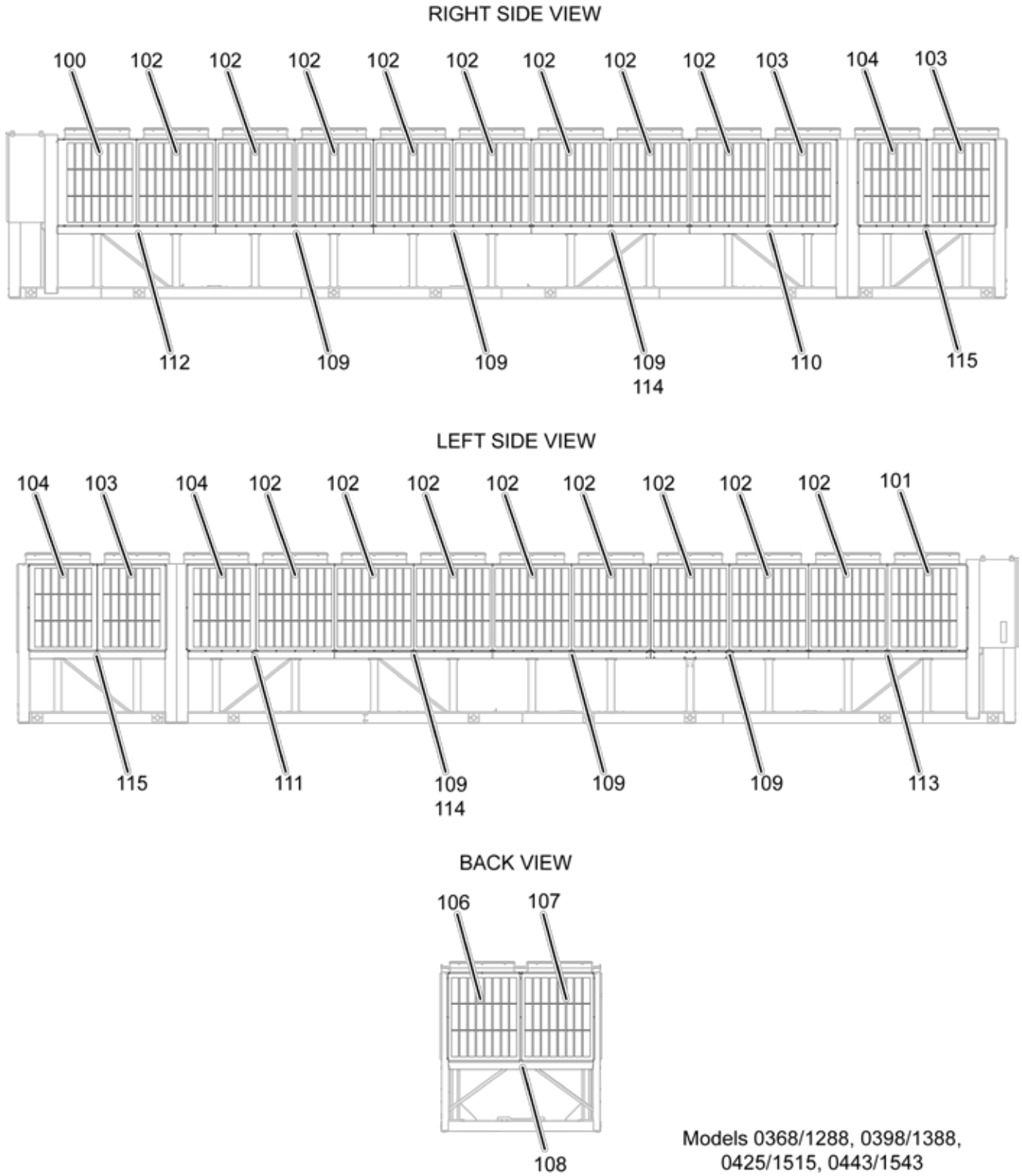
BACK VIEW



Models 0305/1065, 0308/1088,  
0318/1188, 0333/1173, 0343/1193,  
0373/1343, 0375/1315, 0413/1443,  
0500/1700

LD17465

**FIGURE 83 - LOUVERED ENCLOSURE (COND. ONLY) MODEL 0305/1065, 0308/1088, 0318/1188, 0333/1173, 0343/1193, 0373/1343, 0375/1315, 0413/1443, 0500/1700**

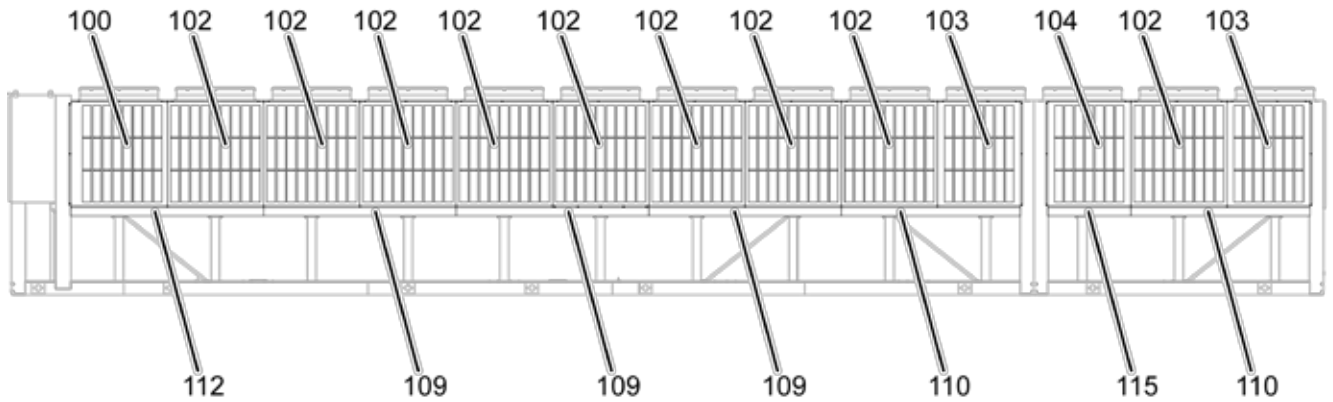


Models 0368/1288, 0398/1388,  
0425/1515, 0443/1543

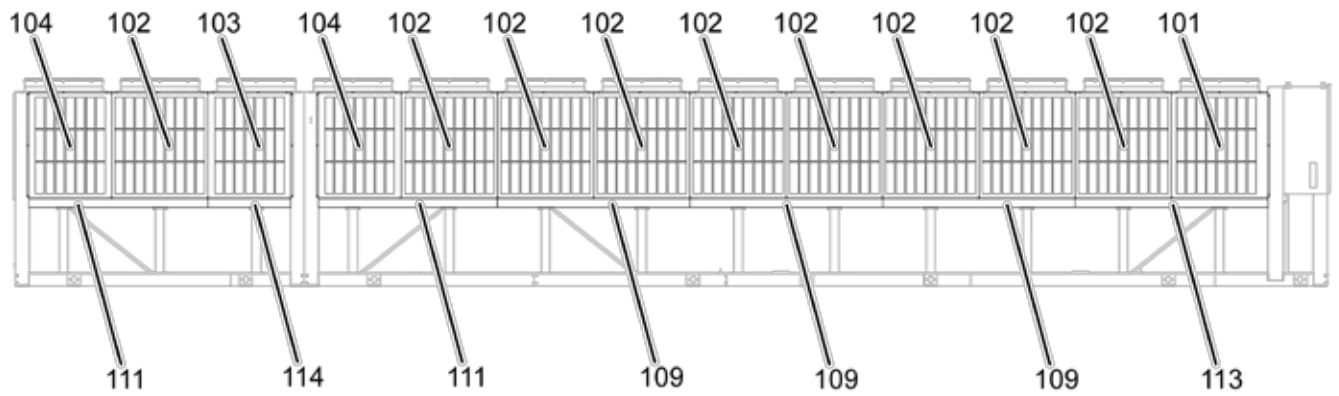
LD17466

**FIGURE 84 - LOUVERED ENCLOSURE (COND. ONLY) MODEL 0368/1288, 0398/1388, 0425/1515, 0443/1543**

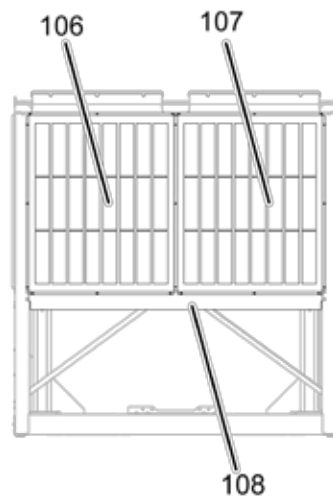
RIGHT SIDE VIEW



LEFT SIDE VIEW



BACK VIEW



Models 0428/1488, 0475/1665,  
0483/1693, 0523/1843

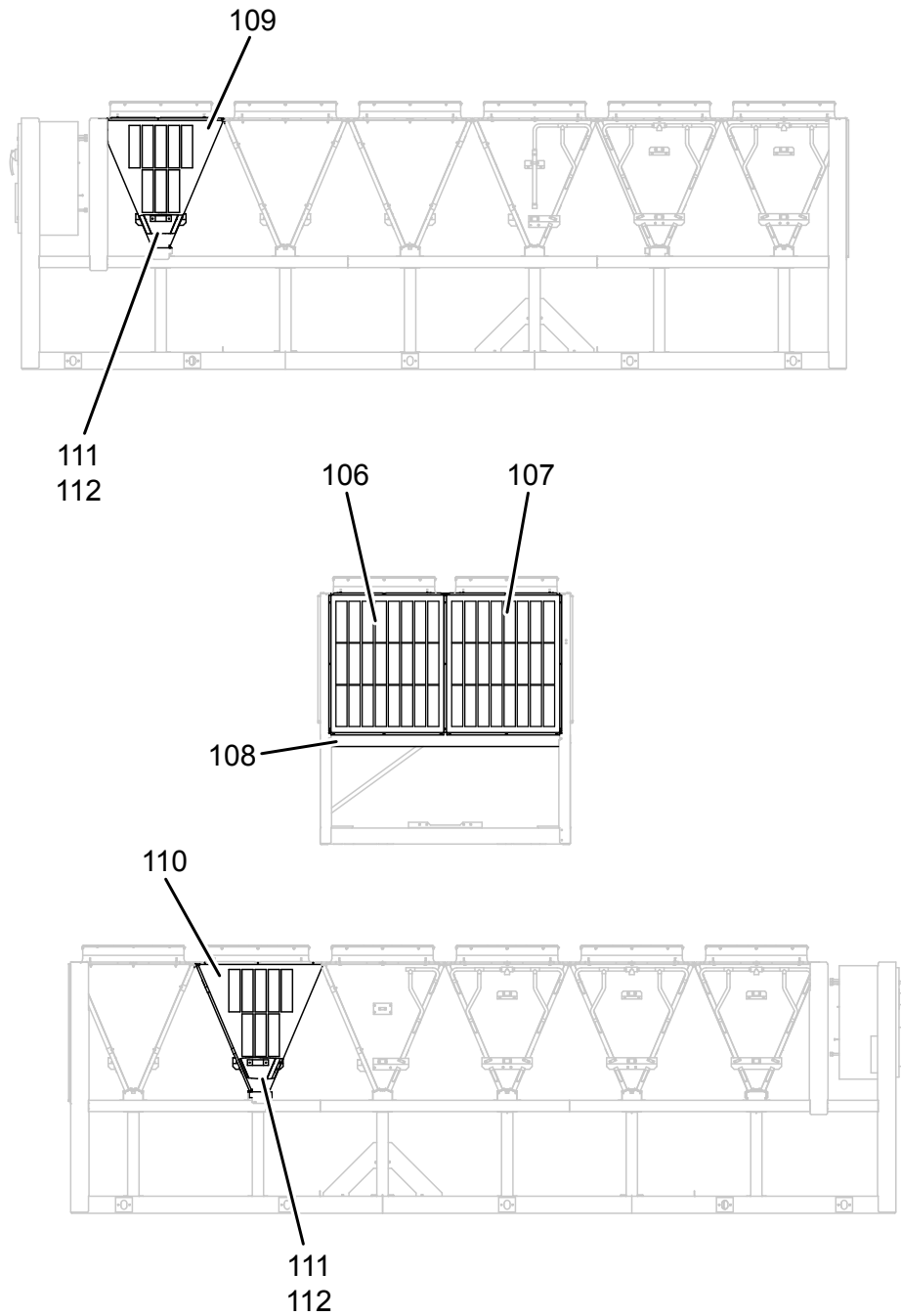
LD17467

**FIGURE 85** - LOUVERED ENCLOSURE (COND. ONLY) MODEL 0428/1488, 0475/1665, 0483/1693, 0523/1843

**TABLE 86 - END LOUVER (HAIL GUARD)**

ITEM	MODEL	PIN 50 =	DESCRIPTION	PART NUMBER	SAP NUMBER	QTY	FIGURE
-	0153/0543 - 0278/0988	M, N	End Louver (Hail Guard) Panel Enclosure Kit	375-93243-000	686435	-	*
-	0295/1015 - 0345/1215	M, N	End Louver (Hail Guard) Panel Enclosure Kit	375-93243-001	706033	-	*
-	0373/1343, 0375/1315	M, N	End Louver (Hail Guard) Panel Enclosure Kit	375-93243-002	997867	-	*
-	0368/1288, 0398/1388 - 0523/1843	M, N	End Louver (Hail Guard) Panel Enclosure Kit	375-93243-004	997869	-	*
-	0153/0543 - 0273/0963	A, B, C, E, P	End Louver (Hail Guard) Panel Enclosure Kit	375-93243-010	1152234	-	*
-	0303/1093 - 0343/1193	A, B, C, E, P	End Louver (Hail Guard) Panel Enclosure Kit	375-93243-011	1152235	-	*
-	0373/1343	A, B, C, E, P	End Louver (Hail Guard) Panel Enclosure Kit	375-93243-012	997874	-	*
-	0413/1443 - 0523/1843	A, B, C, E, P	End Louver (Hail Guard) Panel Enclosure Kit	375-93243-013	1152236	-	*
<b>106</b>	All	All	Panel, Enclosure	075-93275-007	677301	1	86
<b>107</b>	All	All	Panel, Enclosure	075-93275-008	677302	1	86
<b>108</b>	All	All	Rail, Support	075-84415-000	671299	1	86
<b>109</b>	0153/0543 - 0345/1215	M, N	Vee Panel, Aesthetic	075-94038-012	832616	1	86
	0153/0543 - 0343/1193	A, B, C, E, P		075-94038-025	1152219	1	
<b>110</b>	0153/0543 - 0273/0963	A, B, C, E, P	Vee Panel, Aesthetic	075-94038-021	997864	1	86
	0153/0543 - 0278/0988	M, N		075-94038-013	832617	1	
	0295/1015 - 0345/1215	M, N		075-94038-013	832617	2	
	0303/1093 - 0343/1193	A, B, C, E, P		075-94038-021	997864	2	
	0368/1288, 0398/1388 - 0523/1843	M, N		075-94038-013	832617	4	
	0373/1343	A, B, C, E, P		075-94038-021	997864	3	
	0373/1343, 0375/1315	M, N		075-94038-013	832617	3	
	0413/1443 - 0523/1843	A, B, C, E, P		075-94038-021	997864	4	
<b>111</b>	0153/0543 - 0273/0963	A, B, C, E, P	Gasket, Neoprene, 1/2 x 1 x Roll	028-11838-000	741665	2	86
	0153/0543 - 0278/0988	M, N		028-11838-000	741665	2	
	0295/1015 - 0345/1215, 0373/1343, 0375/1315	M, N		028-11838-000	741665	3	
	0303/1093 - 0373/1343	A, B, C, E, P		028-11838-000	741665	3	
	0368/1288, 0398/1388 - 0523/1843	M, N		028-11838-000	741665	4	
	0413/1443 - 0523/1843	A, B, C, E, P		028-11838-000	741665	4	
<b>112</b>	0153/0543 - 0273/0963	A, B, C, E, P	Bracket	075-94037-006	997862	3	86
	0153/0543 - 0278/0988	M, N		075-94037-004	832611	2	
	0295/1015 - 0345/1215, 0373/1343, 0375/1315	M, N		075-94037-004	832611	3	
	0303/1093 - 0373/1343	A, B, C, E, P		075-94037-006	997862	2	
	0368/1288, 0398/1388 - 0523/1843	M, N		075-94037-004	832611	4	
	0413/1443 - 0523/1843	A, B, C, E, P		075-94037-006	997862	4	

**NOTE:** Items with an \* are NOT represented.



LD16165

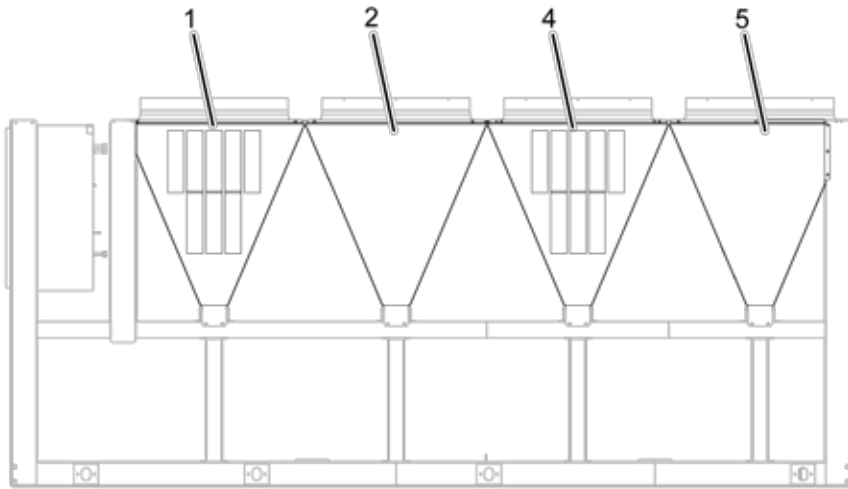
**FIGURE 86 - END LOUVER (HAIL GUARD) PANEL ENCLOSURE KIT COMPONENTS**

**TABLE 87 - V-GUARD (ONLY) PANEL ENCLOSURES**

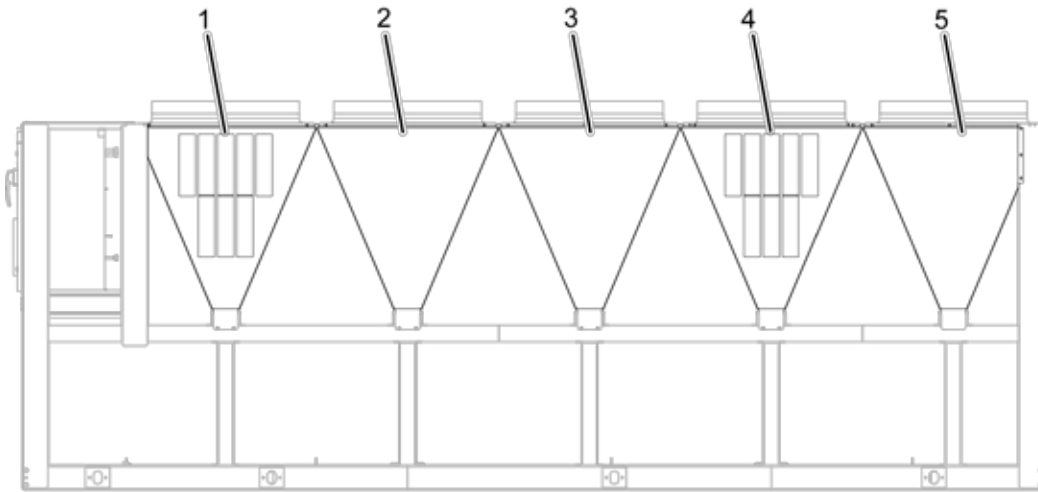
ITEM	MODEL	PIN 50=	PART DESCRIPTION	PART NUMBER	SAP NUMBER	FIGURE
1	0153/0543 - 0345/1215	M, N	V-Guard Kit	392-03569-001	832618	87-90
			Aesthetic Vee Panel	075-94038-009	832614	
			Aesthetic Vee Panel	075-94038-012	832616	
			Bracket	075-94037-003	832610	
			Bracket	075-94037-004	832611	
			Gasket, Neoprene, 1/2 X 1 X Roll	028-11838-000	741665	
			Edging, Rubber	028-16682-001	850313	
1	0153/0543 - 0343/1193	A, B, C, E, P	V-Guard Kit	392-03569-019	1152238	87-90
			Aesthetic Vee Panel	075-94038-024	1152218	
			Aesthetic Vee Panel	075-94038-025	1152219	
			Bracket	075-94037-005	997861	
			Bracket	075-94037-006	997862	
			Gasket, Neoprene, 1/2 X 1 X Roll	028-11838-000	741665	
2	All	M, N	V-Guard Kit	392-03569-002	832619	87-92
			Aesthetic Vee Panel	075-94038-008	832613	
			Bracket	075-94037-003	832610	
			Bracket	075-94037-004	832611	
			Gasket, Neoprene, 1/2 X 1 X Roll	028-11838-000	741665	
2	All	A, B, C, E, P	V-Guard Kit	392-03569-012	997880	87-92
			Aesthetic Vee Panel	075-94038-020	997863	
			Bracket	075-94037-005	997861	
			Bracket	075-94037-006	997862	
			Gasket, Neoprene, 1/2 X 1 X Roll	028-11838-000	741665	
3	0165/0565, 0195/0665, 0218/0788, 0233/0843, 0263/0943, 0273/0963, 0275/0965, 0295/1015, 0303/1093, 0333/1173, 0343/1193, 0373/1343, 0375/1315, 0475/1665, 0483/1693, 0523/1843	M, N	V-Guard Kit	392-03569-003	832620	87, 89-92
			Aesthetic Vee Panel	075-94038-008	832613	
			Bracket	075-94037-003	832610	
			Gasket, Neoprene, 1/2 X 1 X Roll	028-11838-000	741665	
3	0233/0843, 0263/0943, 0273/0963, 0303/1093, 0333/1173, 0343/1193, 0373/1343, 0483/1693, 0523/1843	A, B, C, E, P	V-Guard Kit	392-03569-013	1152237	87, 89-92
			Aesthetic Vee Panel	075-94038-020	997863	
			Bracket	075-94037-005	997861	
			Gasket, Neoprene, 1/2 X 1 X Roll	028-11838-000	741665	
4	All	M, N	V-Guard Kit	392-03569-004	832621	87-92
			Aesthetic Vee Panel	075-94038-013	832617	
			Aesthetic Vee Panel	075-94038-008	832613	
			Bracket	075-94037-003	832610	
			Bracket	075-94037-004	832611	
			Gasket, Neoprene, 1/2 X 1 X Roll	028-11838-000	741665	
			Edging, Rubber	028-16682-001	850313	

**TABLE 87 - V-GUARD (ONLY) PANEL ENCLOSURES (CONT'D)**

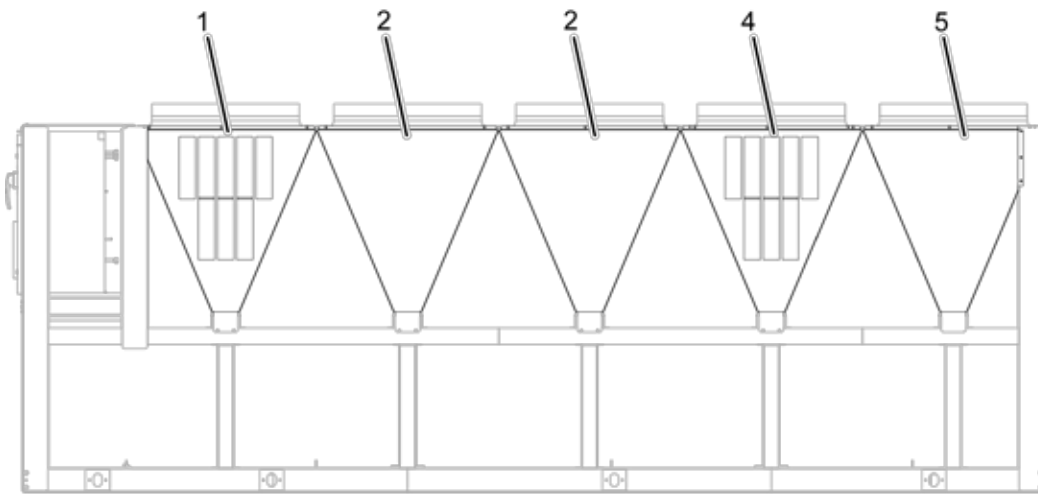
ITEM	MODEL	PIN 50=	PART DESCRIPTION	PART NUMBER	SAP NUMBER	FIGURE
4	All	A, B, C, E, P	V-Guard Kit	392-03569-014	997881	87-92
			Aesthetic Vee Panel	075-94038-021	997864	
			Aesthetic Vee Panel	075-94038-020	997863	
			Bracket	075-94037-005	997861	
			Bracket	075-94037-006	997862	
			Gasket, Neoprene, 1/2 X 1 X Roll	028-11838-000	741665	
5	All	M, N	V-Guard Kit	392-03569-005	832622	87-92
			Aesthetic Vee Panel	075-94038-011	832615	
			Aesthetic Vee Panel	075-94038-007	832612	
			Bracket	075-94037-003	832610	
			Bracket	075-94037-004	832611	
			Gasket, Neoprene, 1/2 X 1 X Roll	028-11838-000	741665	
5	All	A, B, C, E, P	V-Guard Kit	392-03569-015	997882	87-92
			Aesthetic Vee Panel	075-94038-023	997866	
			Aesthetic Vee Panel	075-94038-022	997865	
			Bracket	075-94037-005	997861	
			Bracket	075-94037-006	997862	
			Gasket, Neoprene, 1/2 X 1 X Roll	028-11838-000	741665	
8	0368/1288, 0398/1388, 0425/1515, 0443/1543, 0475/1665, 0483/1693, 0523/1843	M, N	V-Guard Kit	392-03569-008	997879	91,92
			Aesthetic Vee Panel	075-94038-011	832615	
			Aesthetic Vee Panel	075-94038-007	832612	
			Bracket	075-94037-003	832610	
			Bracket	075-94037-004	832611	
			Gasket, Neoprene, 1/2 X 1 X Roll	028-11838-000	741665	



0153/0543, 0200/0700



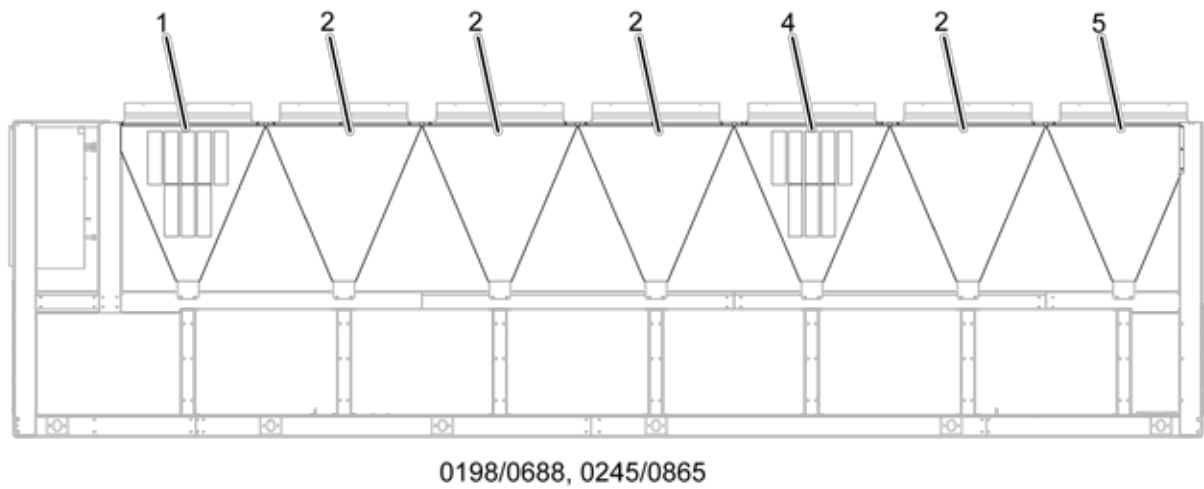
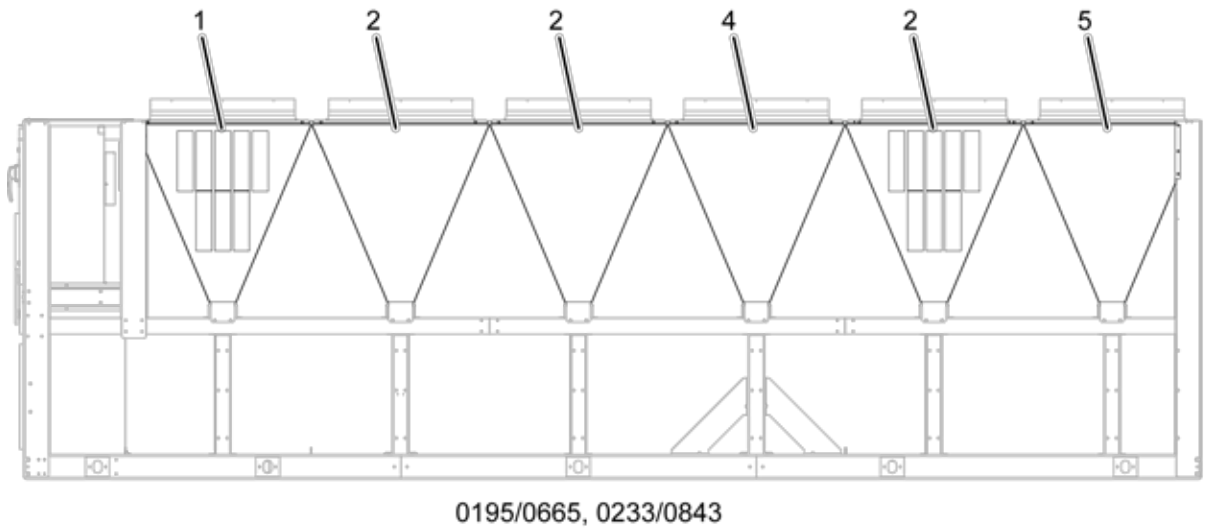
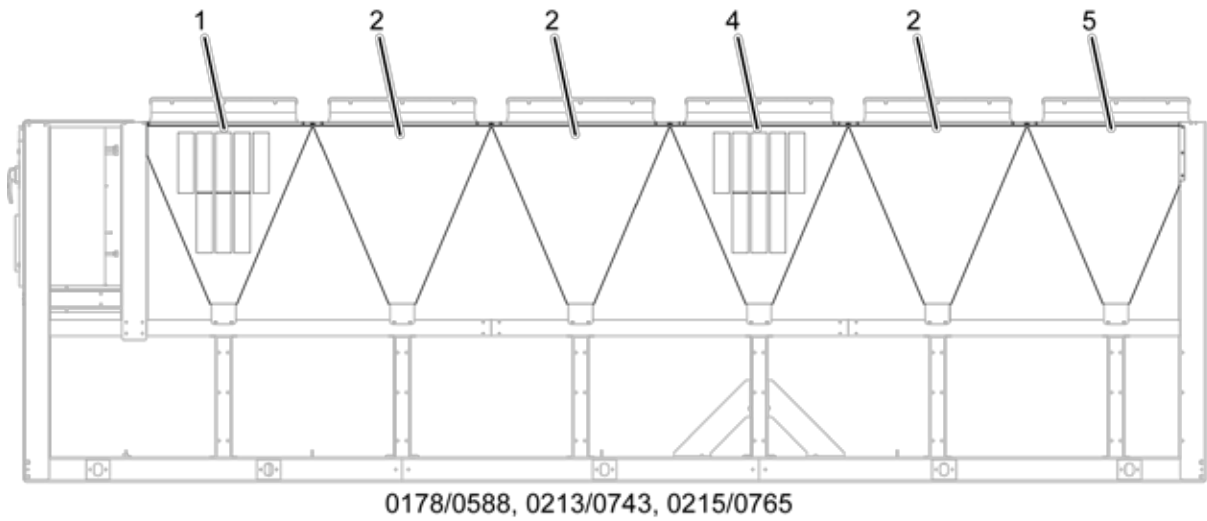
0165/0565



0183/0643

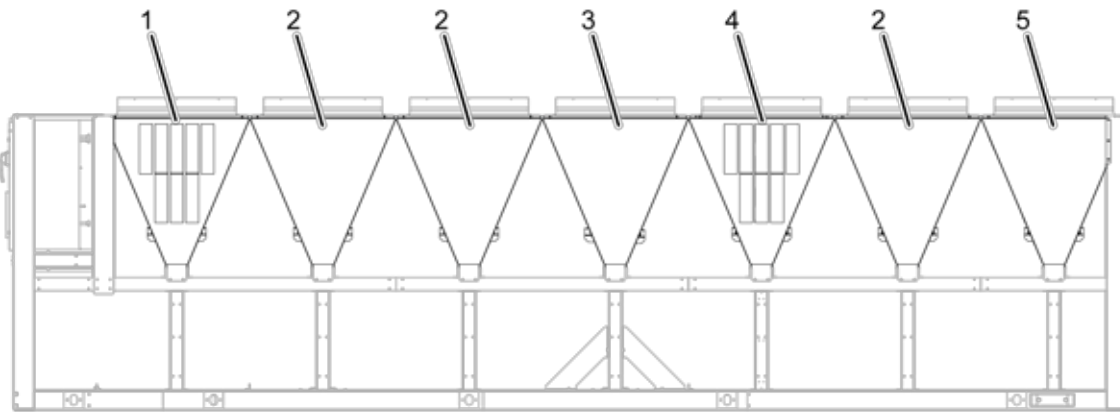
LD19000

FIGURE 87 - V-GUARD PANEL ENCLOSURES

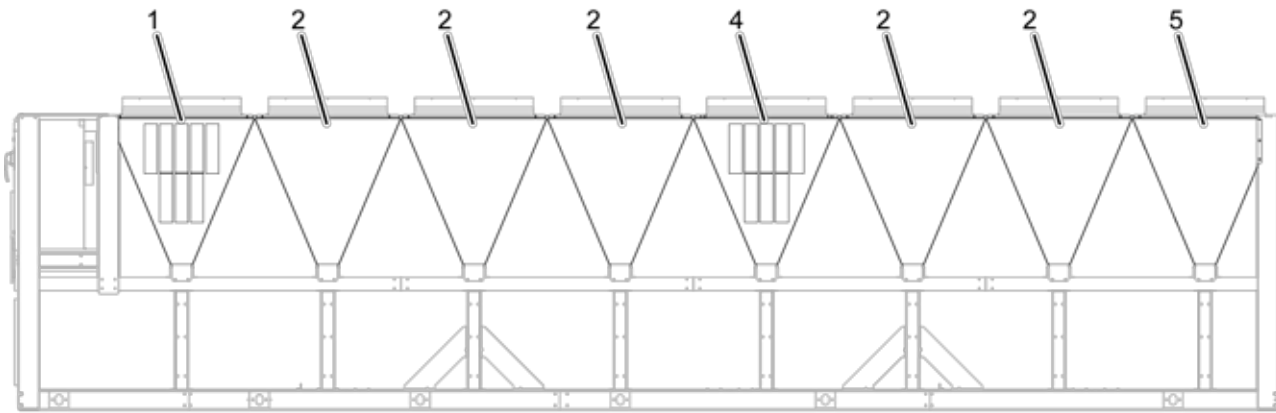


LD19001

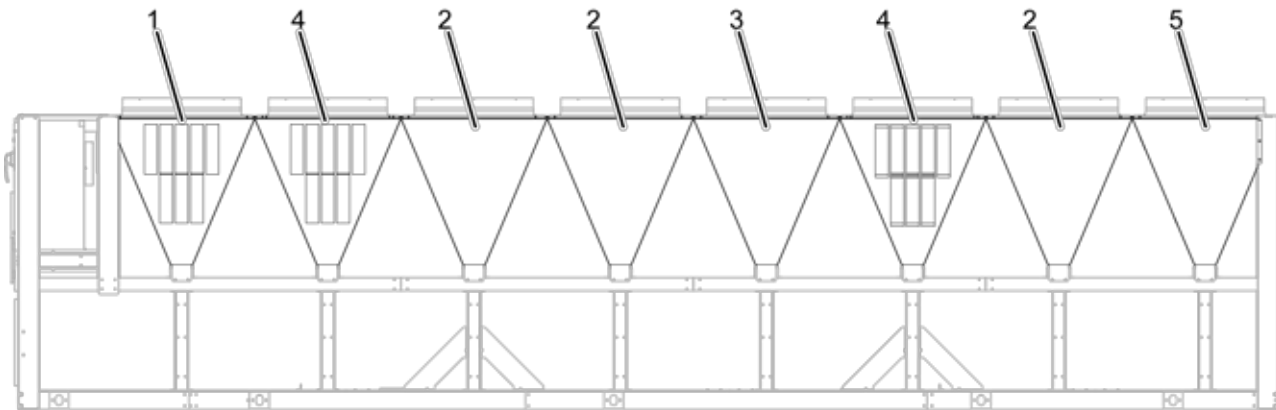
**FIGURE 88 - V-GUARD PANEL ENCLOSURES**



0218/0788, 0263/0943, 0273/0963, 0275/0965



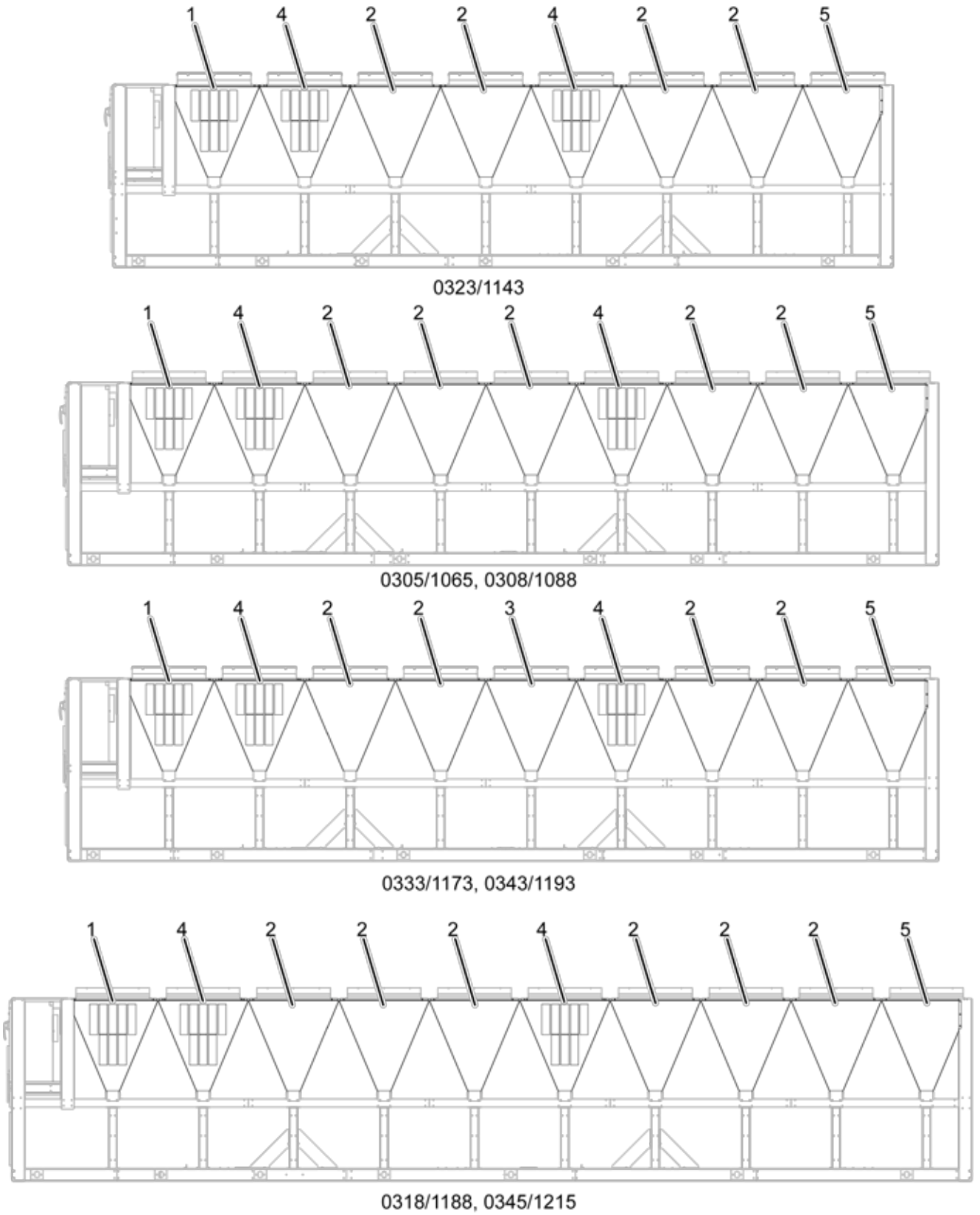
0248/0888, 0278/0988



0295/1015, 0303/1093

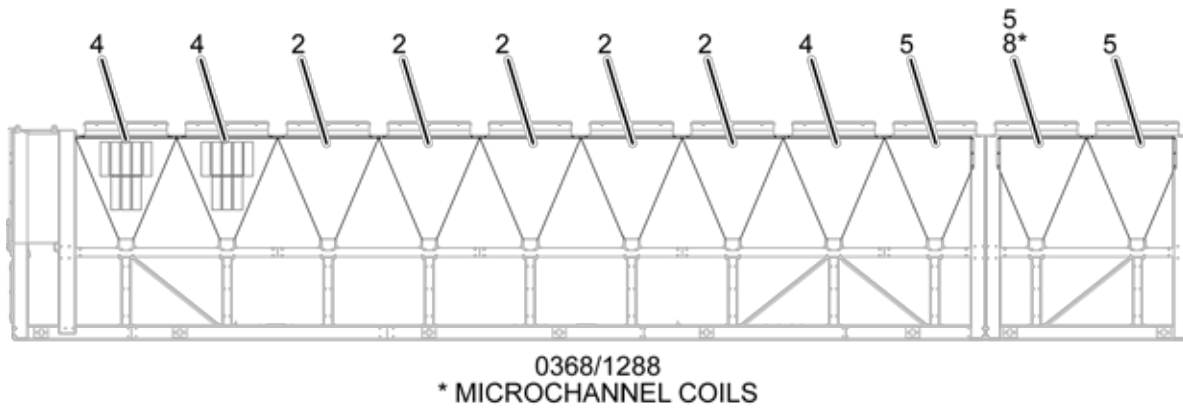
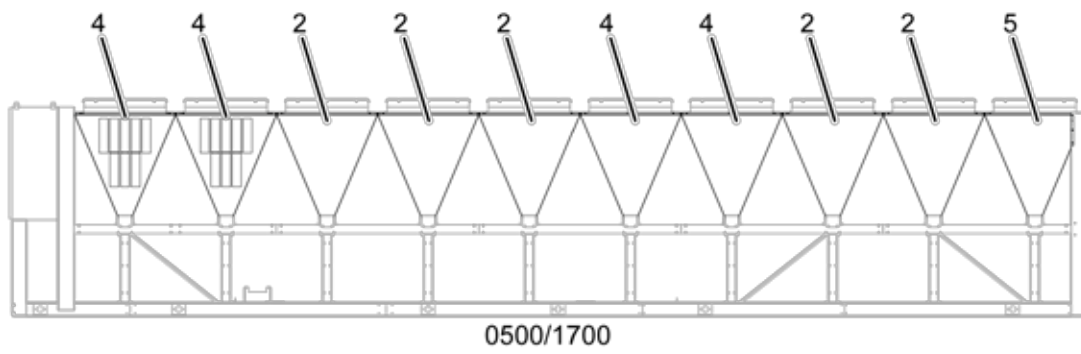
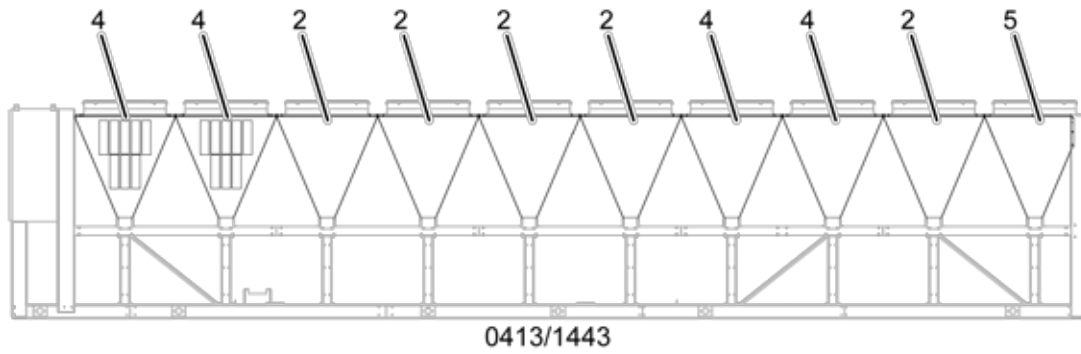
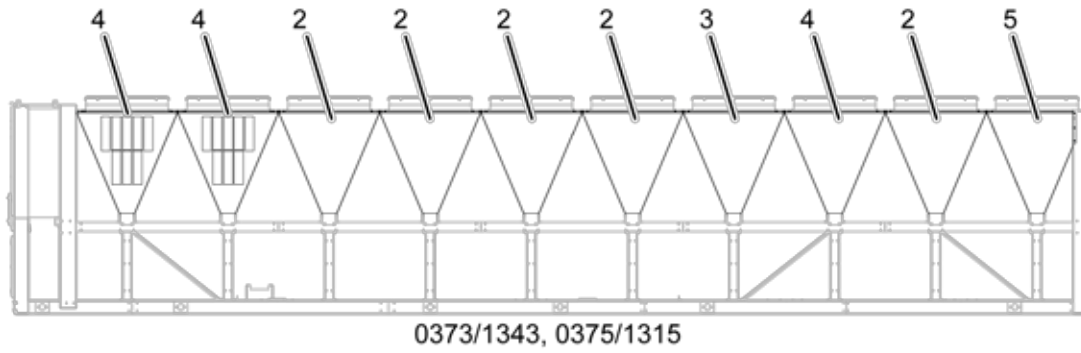
LD19002

FIGURE 89 - V-GUARD PANEL ENCLOSURES



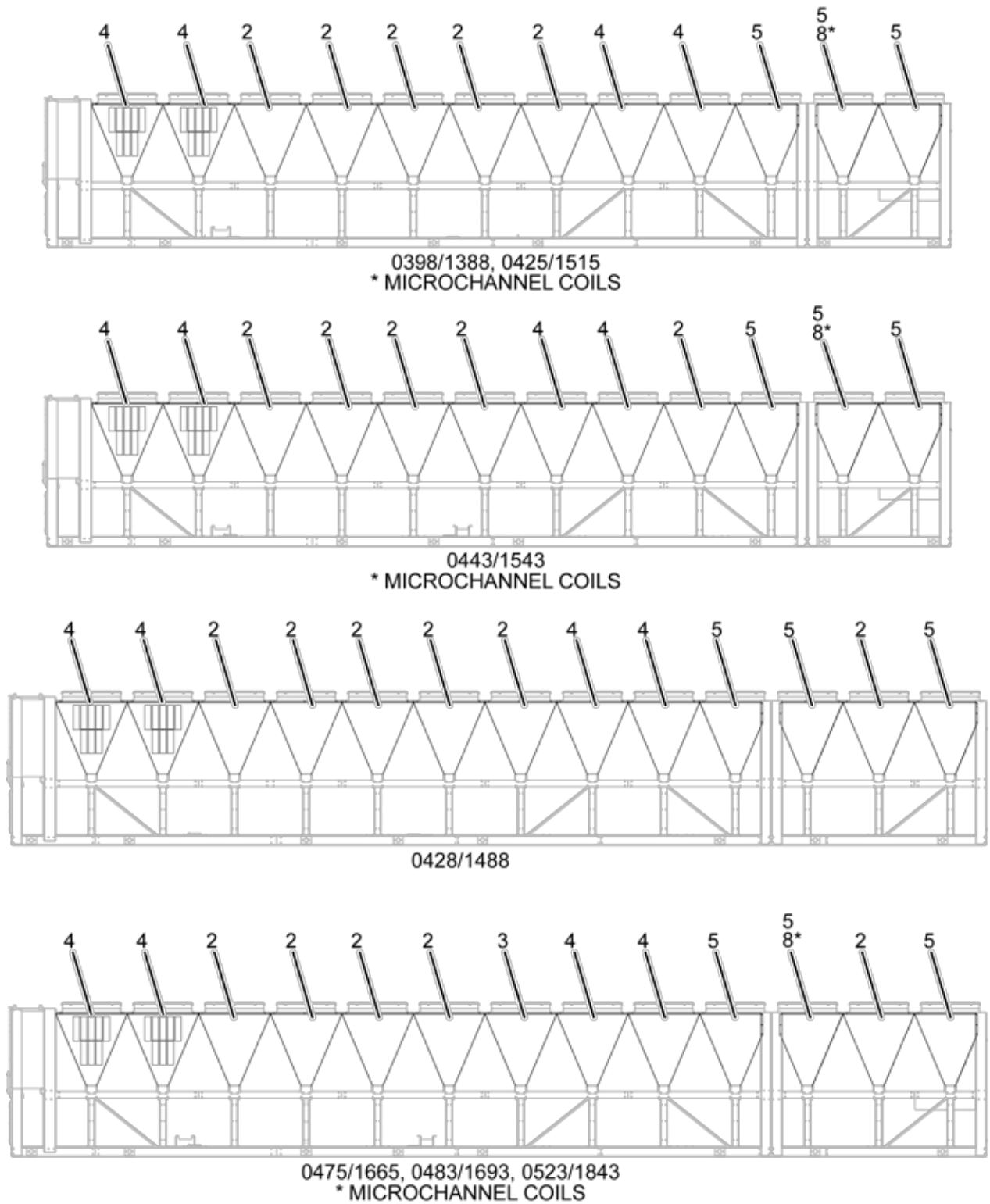
LD19003

**FIGURE 90 - V-GUARD PANEL ENCLOSURES**



LD19004

FIGURE 91 - V-GUARD PANEL ENCLOSURES



LD19005

**FIGURE 92 - V-GUARD PANEL ENCLOSURES**

**TABLE 88 - V-GUARD PLUS HAIL GUARD**

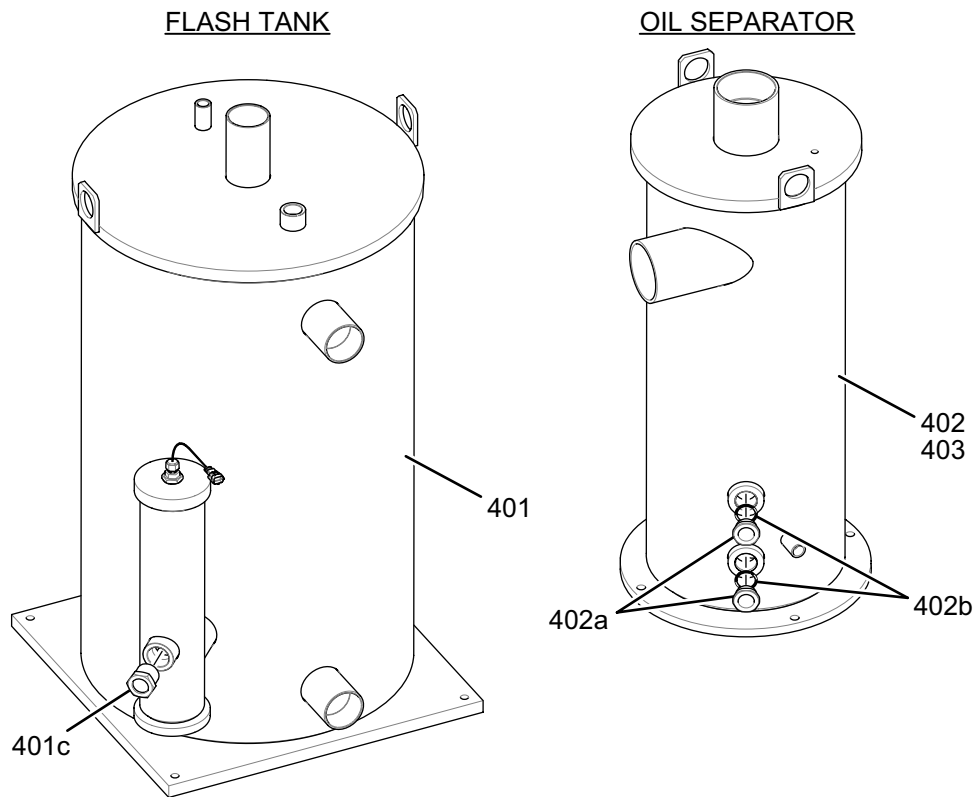
MODEL	PIN 50=	V-GUARD ONLY		V-GUARD AND HAIL GUARD	
		PART NUMBER	SAP NUMBER	PART NUMBER	SAP NUMBER
0153/0543, 0200/0700	M, N	392-07087-021	832637	375-93243-000	686435
0153/0543, 0200/0700	A, B, C, E, P	392-07087-081	1152240	375-93243-010	1152234
0165/0565	M, N	392-07087-041	1134429	375-93243-000	686435
0178/0588, 0213/0743, 0215/0765	M, N	392-07087-023	832639	375-93243-000	686435
0183/0643	M, N	392-07087-022	832638	375-93243-000	686435
0183/0643	A, B, C, E, P	392-07087-082	1152241	375-93243-010	1152234
0195/0665, 0233/0843	M, N	392-07087-024	832640	375-93243-000	686435
0198/0688, 0245/0865	M, N	392-07087-030	832646	375-93243-000	686435
0213/0743	A, B, C, E, P	392-07087-083	1152242	375-93243-010	1152234
0218/0788, 0263/0943, 0273/0963, 0275/0965	M, N	392-07087-025	832641	375-93243-000	686435
0233/0843	A, B, C, E, P	392-07087-084	1152243	375-93243-010	1152234
0248/0888, 0278/0988	M, N	392-07087-026	832642	375-93243-000	686435
0263/0943, 0273/0963	A, B, C, E, P	392-07087-085	1152244	375-93243-010	1152234
0295/1015, 0303/1093	M, N	392-07087-032	832648	375-93243-001	706033
0303/1093	A, B, C, E, P	392-07087-086	1152245	375-93243-011	1152235
0305/1065, 0308/1088	M, N	392-07087-031	832647	375-93243-001	706033
0318/1188, 0345/1215	M, N	392-07087-028	832644	375-93243-001	706033
0323/1143	M, N	392-07087-027	832643	375-93243-001	706033
0323/1143	A, B, C, E, P	392-07087-087	1152246	375-93243-011	1152235
0333/1173, 0343/1193	M, N	392-07087-029	832645	375-93243-001	706033
0333/1173, 0343/1193	A, B, C, E, P	392-07087-088	1152247	375-93243-011	1152235
0368/1288	M, N	392-07087-039	997891	375-93243-002	997867
0373/1343	A, B, C, E, P	392-07087-073	997906	375-93243-012	997874
0373/1343, 0375/1315	M, N	392-07087-033	997885	375-93243-002	997867
0398/1388, 0425/1515, 0443/1543	M, N	392-07087-035	997887	375-93243-004	997869
0413/1443, 0500/1700	M, N	392-07087-034	997886	375-93243-004	997869
0413/1443, 0500/1700	A, B, C, E, P	392-07087-074	997907	375-93243-013	1152236
0428/1488	M, N	392-07087-037	997889	375-93243-004	997869
0443/1543	A, B, C, E, P	392-07087-075	997908	375-93243-013	1152236
0475/1665, 0483/1693, 0523/1843	M, N	392-07087-036	997888	375-93243-004	997869

**TABLE 89 - FLASH TANK OIL SEPARATOR**

ITEM	MODEL	DESCRIPTION	PART NUMBER	SAP NUMBER	QTY	FIGURE
<b>OIL SEPARATOR / FLASH TANK (ASME)</b>						
<b>401</b>	0153/0543, 0165/0565, 0183/0643, 0195/0665, 0213/0743, 0233/0843, 0263/0943	Tank, Flash 14" O.D.	375-79551-000	794109	2	93
<b>A</b>		Ins Therm 1-1/8 Id X 1/2	010-02841-000	616553	2.4	
<b>B</b>		Ins Therm 2-1/8 Id X 1/2	010-02842-000	728785	0.54	
<b>C</b>		Plug Sight 1-11-1/2 Npte	026-17581-000	740685	2	
<b>401</b>	0178/0588, 0200/0700, 0215/0765, 0218/0788, 0245/0865, 0248/0888, 0275/0965 - 0523/1843	Tank, Flash 18" O.D.	375-89884-000	669993	2	93
<b>A</b>		Ins Therm 1-1/8 Id X 1/2	010-02841-000	616553	2.4	
<b>B</b>		Ins Therm 2-1/8 Id X 1/2	010-02842-000	728785	0.54	
<b>C</b>		Plug Sight 1-11-1/2 Npte	026-17581-000	740685	2	
<b>402</b>	0153/0543 - 0178/0588	Oil Separator 8" O.D.	375-93290-000	798683	2	93
<b>A</b>		Plug, Sight Glass	026-46487-000	574772	2	
<b>B</b>		O-Ring, Hnbr	028-16331-000	618766	2	
<b>402</b>	0183/0643, 0195/0665, 0200/0700, 0213/0743 - 0278/0988	Oil Separator 10" O.D.	375-79591-000	571177	1	93
<b>A</b>		Plug, Sight Glass	026-46487-000	574772	2	
<b>B</b>		O-Ring, Hnbr	028-16331-000	618766	2	
<b>402</b>	0245/1215, 0295/1015 - 0523/1843	Oil Separator 14" O.D.	375-89951-000	796833	1	93
<b>A</b>		Plug, Sight Glass	026-46487-000	574772	2	
<b>B</b>		O-Ring, Hnbr	028-16331-000	618766	2	
<b>403</b>	0183/0643, 0195/0665,	Oil Separator 8" O.D.	375-93290-000	798683	1	93
<b>A</b>		Plug, Sight Glass	026-46487-000	574772	2	
<b>B</b>		O-Ring, Hnbr	028-16331-000	618766	2	
<b>403</b>	0295/1015 - 0318/1188, 0368/1288 - 0375/1315	Oil Separator 10"	375-79591-000	571177	1	93
<b>A</b>		Plug, Sight Glass	026-46487-000	574772	2	
<b>B</b>		O-Ring, Hnbr	028-16331-000	618766	2	
<b>403</b>	0183/0643 – 0198/0688	Oil Separator 8" O.D.	375-93290-000	798683	1	93
<b>A</b>		Plug, Sight Glass	026-46487-000	574772	2	
<b>B</b>		O-Ring, Hnbr	028-16331-000	618766	2	
<b>403</b>	0295/1015 – 0318/1188, 0373/1343	Oil Separator 10" O.D.	375-79591-000	571177	1	93
<b>A</b>		Plug, Sight Glass	026-46487-000	574772	2	
<b>B</b>		O-Ring, Hnbr	028-16331-000	618766	2	

**TABLE 89 - FLASH TANK OIL SEPARATOR (CONT'D)**

ITEM	MODEL	DESCRIPTION	PART NUMBER	SAP NUMBER	QTY	FIGURE
<b>OIL SEPARATOR / FLASH TANK (PED)</b>						
<b>401</b>	0153/0543, 0165/0565, 0183/0643, 0195/0665, 0213/0743, 0233/0843, 0263/0943	Flash Tank 14" O.D. Ped	375-79551-990	794111	2	93
<b>A</b>		Ins Therm 1-1/8 Id X 1/2	010-02841-000	616553	2.4	
<b>B</b>		Ins Therm 2-1/8 Id X 1/2	010-02842-000	728785	0.54	
<b>C</b>		Plug Sight 1-11-1/2 Npte	026-17581-000	740685	2	
<b>401</b>	0178/0588, 0200/0700, 0215/0765, 0218/0788, 0245/0865, 0248/0888, 0275/0965 - 0523/1843	Flash Tanks 18" O.D. Ped	375-89884-990	796788	2	93
<b>A</b>		Ins Therm 1-1/8 Id X 1/2	010-02841-000	616553	2.4	
<b>B</b>		Ins Therm 2-1/8 Id X 1/2	010-02842-000	728785	0.54	
<b>C</b>		Plug Sight 1-11-1/2 Npte	026-17581-000	740685	2	
<b>402</b>	0153/0543, 0165/0565	Oil Separator 8" O.D. Ped	375-93290-990	798684	2	93
<b>A</b>		Plug, Sight Glass	026-46487-000	574772	2	
<b>B</b>		O-Ring, Hnbr	028-16331-000	618766	2	
<b>402</b>	0183/0643, 0195/0665, 0200/0700 - 0278/0988	Oil Separator 10" O.D. Ped	375-79591-990	794176	1	93
<b>A</b>		Plug, Sight Glass	026-46487-000	574772	2	
<b>B</b>		O-Ring, Hnbr	028-16331-000	618766	2	
<b>402</b>	0245/1215, 0295/1015 - 0523/1843	Oil Separator 14" O.D. Ped	375-89951-990	796834	1	93
<b>A</b>		Plug, Sight Glass	026-46487-000	574772	2	
<b>B</b>		O-Ring, Hnbr	028-16331-000	618766	2	
<b>403</b>	0183/0643, 0195/0665	Oil Separator 8" O.D. Ped	375-93290-990	798684	1	93
<b>A</b>		Plug, Sight Glass	026-46487-000	574772	2	
<b>B</b>		O-Ring, Hnbr	028-16331-000	618766	2	
<b>403</b>	0295/1015 - 0318/1188, 0368/1288 - 0375/1315	Oil Separator 10" O.D. Ped	375-79591-990	794176	1	93
<b>A</b>		Plug, Sight Glass	026-46487-000	574772	2	
<b>B</b>		O-Ring, Hnbr	028-16331-000	618766	2	



LD17288

**FIGURE 93 - FLASH TANK / OIL SEPARATOR**

**TABLE 90 - PRESSURE RELIEF ASME (PIN 33 = X, C)**

ITEM	MODEL	DESCRIPTION	PART NUMBER	SAP NUMBER	FIGURE
1	0153/0543 - 0345/1215	Safety Valve 16.2 Bar Od 12.7 Mm / 1/2 In	022-12373-000	841430	94
	0368/1288 - 0523/1843	Safety Valve 16.2 Bar Od 12.7 Mm / 1/2 In	022-12371-000	838082	
2	0153/0543 - 0523/1843	Tube, Relief Valve DXST	375-30919-000	776577	94
3	0153/0543 - 0345/1215	Valve Relief 3/8 NPTE X 1/2FI	022-12076-000	671326	94
	0368/1288 - 0523/1843	Valve Relief 3/8 NPTE X 1/2	022-12045-000	731485	
4	0153/0543 - 0523/1843	Tube Relief Valve DXST	375-37978-000	410839	94
5	0153/0543 - 0345/1215	Pressure Switch UL Listing	375-66947-001	787001	*
		Wiring Harness High Press	592-07169-208	808830	
		Wiring Harness High Press	592-07169-209	808831	
		Plug Id = Hd = 22.200 Mm Liq T Rubber	028-15804-000	742152	
5	0368/1288 - 0523/1843	Pressure Switch UL Listing Assy	392-07129-000	878676	*
		Sys. #1 HPCO Harness	575-77880-754	878693	
		Sys. #2 HPCO Harness	575-77880-755	878694	
		Plug Id = Hd = 22.200 Mm Liq T Rubber	028-15804-000	742152	
6	0153/0543 - 0345/1215	Connr 5/8 Ext Fla X 3/4	023-00932-000	617240	94
	0368/1288 - 0523/1843	Connr 5/8 Ext Fla X 1/2	023-02761-000	731677	

**NOTE:** Items with an \* are NOT represented.

**TABLE 91 - DUAL PRESSURE RELIEF ASME (PIN 33 = R)**

ITEM	MODEL	DESCRIPTION	PART NUMBER	SAP NUMBER	FIGURE
21	0153/0543 - 0523/1843	Connector Male 3/8" NPT X 1/2"	023-23698-000	420790	94
22	0153/0543 - 0523/1843	Connector Bulkhead Male 3/8"	023-23699-000	420789	94
23	0153/0543 - 0523/1843	Connector Male 1/2" NPT X 1/2"	023-25240-000	694539	*
24	0153/0543 - 0345/1215, 0373/1343, 0413/1443, 0425/1515, 0443/1543 - 0523/1843	Connr Female 1/2 NPT X 1/2FI	023-26304-000	1174803	*
	0368/1288, 0375/1315, 0398/1388, 0428/1488	Connector Bulkhead Male 1/2"	023-25241-000	694540	
25	0153/0543 - 0523/1843	Valve 3/8" 3-Way Dual Shut Off	022-11716-000	401271	94
26	0153/0543 - 0233/0843, 0248/0888 - 0345-1215	Valve Relief 3/8 NPTE X 1/2FI	022-12076-000	671326	94
	0245/0865, 0368/1288 - 0523/1843	Valve Relief 3/8 NPTE X 1/2	022-12045-000	731485	
28	0153/0543 - 0233/0843, 0248/0888 - 0345-1215	Valve 1/2" 3-Way Dual Shut Off	022-12641-000	996997	94
	0245/0865, 0368/1288, 0373/1343, 0375/1315, 0398/1388, 0413/1443, 0425/1515, 0428/1488, 0443/1543, 0483/1693, 0475/1665, 0500/1700, 0523/1843	Valve 1/2" 3-Way Dual Shut Off	022-11717-000	731430	
29	0153/0543 - 0233/0843, 0248/0888 - 0345-1215	Safety Valve 16.2 Bar Od 12.7 Mm / 1/2In	022-12373-000	841430	94
	0245/0865, 0368/1288, 0373/1343, 0375/1315, 0398/1388, 0413/1443, 0425/1515, 0428/1488, 0443/1543, 0483/1693, 0475/1665, 0500/1700, 0523/1843	Safety 16.2 Bar Od 12.7 Mm / 1/2In Thread	022-12371-000	838082	
104	0153/0543 - 0233/0843, 0248/0888 - 0345-1215	Pressure Switch UL Listing	375-66947-001	787001	*
		Wiring Harness High Press	592-07169-208	808830	
		Wiring Harness High Press	592-07169-209	808831	
		Plug Id = Hd = 22.200 Mm Liq T Rubber	028-15804-000	742152	
104	0245/0865, 0368/1288 - 0523/1843	Pressure Switch UL Listing Assy	392-07129-000	878676	*
		Sys. #1 HPCO (Corsair) Harness	575-77880-754	878693	
		Sys. #2 HPCO (Corsair) Harness	575-77880-755	878694	
		Plug Id = Hd = 22.200 Mm Liq T Rubber	028-15804-000	742152	

**NOTE:** Items with an \* are NOT represented.

**TABLE 92 - PRESSURE RELIEF PED (PIN 33 = X)**

ITEM	MODEL	DESCRIPTION	PART NUMBER	SAP NUMBER	FIGURE
1	0153/0543 - 0345/1215	Safety Valve 16.2 Bar Od 12.7Mm / 1/2 In	022-12373-000	841430	94
	0368/1288 - 0523/1843	Safety 16.2 Bar Od 12.7Mm / 1/2 In Thread	022-12371-000	838082	
2	0153/0543 - 0523/1843	Tube, Relief Valve DXST	375-30919-000	776577	94
3	0153/0543 - 0345/1215	Valve Relief 3/8 NPTE X 1/2 FI	022-12076-000	671326	94
	0368/1288 - 0523/1843	Valve Relief 3/8 NPTE X 1/2	022-12045-000	731485	
4	0153/0543 - 0523/1843	Tube Relief Valve DXST	375-37978-000	410839	94
5	0153/0543 - 0278/0988	Pressure Switch CE PED	375-94077-990	678494	*
		Fitting, 37 Deg. Flared Tube	023-25414-000	699734	
		Tube High Pressure Cutout	075-94078-000	678207	
		Bulkhead, 37 Deg. Flared Tube	023-25415-000	734207	
		Manual Reset High Pressure	025-44464-000	678497	
		High Press Switch W/Internal	025-44465-000	678498	
		Harness Dual HPCO 1-FHP1	575-77880-264	808453	
		Harness Dual HPCO 1-FHP2	575-77880-265	808454	
		Harness Dual HPCO 2-FHP1	575-77880-266	808455	
		Harness Dual HPCO 2-FHP2	575-77880-267	808456	
		Dual HPCO Jumper	575-77880-263	808452	
5	0295/1015 - 0318/1188	Pressure Switch CE PED	375-94077-993	1048657	*
		Fitting, 37 Deg. Flared Tube	023-25414-000	699734	
		Tube High Pressure Cutout	075-94078-000	678207	
		Bulkhead, 37 Deg. Flared Tube	023-25415-000	734207	
		Manual Reset High Pressure	025-44464-000	678497	
		High Press Switch W/Internal	025-44465-000	678498	
		Harness Dual HPCO 1-FHP1	575-77880-448	878691	
		Harness Dual HPCO 1-FHP2	575-77880-458	1048707	
		Harness Dual HPCO 2-FHP1	575-77880-266	808455	
		Harness Dual HPCO 2-FHP2	575-77880-267	808456	
		Dual HPCO Jumper	575-77880-263	808452	
5	0323/1143 - 0345/1215	Pressure Switch Assy CE PED	375-94077-995	1048659	*
		Fitting, 37 Deg. Flared Tube	023-25414-000	699734	
		Tube High Pressure Cutout	075-94078-000	678207	
		Bulkhead, 37 Deg. Flared Tube	023-25415-000	734207	
		Bracket Press Switch Mtg	075-94076-000	678208	
		Manual Reset High Pressure	025-44464-000	678497	
		High Press Switch W/Internal	025-44465-000	678498	
		Harness Dual HPCO 1-FHP1	575-77880-448	878691	
		Harness Dual HPCO 1-FHP2	575-77880-458	1048707	
		Harness Dual HPCO 2-FHP1	575-77880-459	1048708	
		Harness Dual HPCO 2-FHP2	575-77880-460	1048709	
				Dual HPCO Jumper	

**TABLE 92 - PRESSURE RELIEF PED (PIN 33 = X) (CONT'D)**

ITEM	MODEL	DESCRIPTION	PART NUMBER	SAP NUMBER	FIGURE
5	0368/1288 - 0375/1315	Pressure Switch CE PED	375-94077-994	1048658	*
		Fitting, 37 Deg. Flared Tube	023-25414-000	699734	
		Tube High Pressure Cutout	075-94078-000	678207	
		Bulkhead, 37 Deg. Flared Tube	023-25415-000	734207	
		Manual Reset High Pressure	025-44464-000	678497	
		High Press Switch W/Internal	025-44465-000	678498	
		Harness Dual HPCO 1-FHP1	575-77880-448	878691	
		Harness Dual HPCO 1-FHP2	575-77880-458	1048707	
		Harness Dual HPCO 2-FHP1	575-77880-266	808455	
		Harness Dual HPCO 2-FHP2	575-77880-267	808456	
		Dual HPCO Jumper	575-77880-263	808452	
5	0398/1388 - 0428/1488	Pressure Switch CE PED	375-94077-991	885382	*
		Fitting, 37 Deg. Flared Tube	023-25414-000	699734	
		Tube High Pressure Cutout	075-94078-000	678207	
		Bulkhead, 37 Deg. Flared Tube	023-25415-000	734207	
		Manual Reset High Pressure	025-44464-000	678497	
		High Press Switch W/Internal	025-44465-000	678498	
		Harness Dual HPCO 1-FHP1	575-77880-448	878691	
		Harness Dual HPCO 1-FHP2	575-77880-458	1048707	
		Harness Dual HPCO 2-FHP1	575-77880-459	1048708	
		Harness Dual HPCO 2-FHP2	575-77880-460	1048709	
		Dual HPCO Jumper	575-77880-263	808452	
5	0443/1543 - 0523/1843	Pressure Switch Assy CE PED	375-94077-992	878669	*
		Fitting, 37 Deg. Flared Tube	023-25414-000	699734	
		Tube High Pressure Cutout	092-12438-000	878666	
		Bulkhead, 37 Deg. Flared Tube	023-25415-000	734207	
		Manual Reset High Pressure	025-44464-000	678497	
		High Press Switch W/Internal	025-44465-000	678498	
		Harness Dual HPCO 1-FHP1	575-77880-448	878691	
		Harness Dual HPCO 1-FHP2	575-77880-458	1048707	
		Harness Dual HPCO 2-FHP1	575-77880-459	1048708	
		Harness Dual HPCO 2-FHP2	575-77880-460	1048709	
		Dual HPCO Jumper	575-77880-263	808452	
6	0153/0543 - 0345/1215	Connr 5/8 Ext Fla X 3/4	023-00932-000	617240	94
	0368/1288 - 0523/1843	Connr 5/8 Ext Fla X 1/2	023-02761-000	731677	

**NOTE:** Items with an \* are NOT represented.

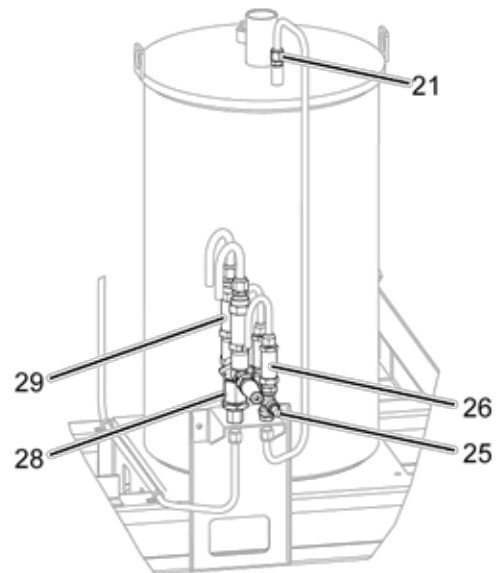
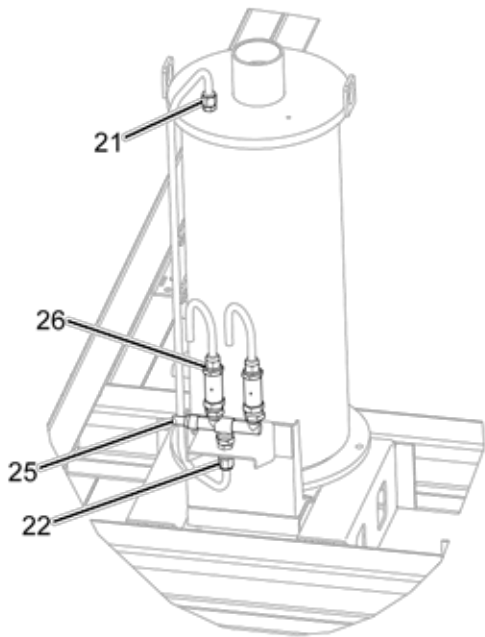
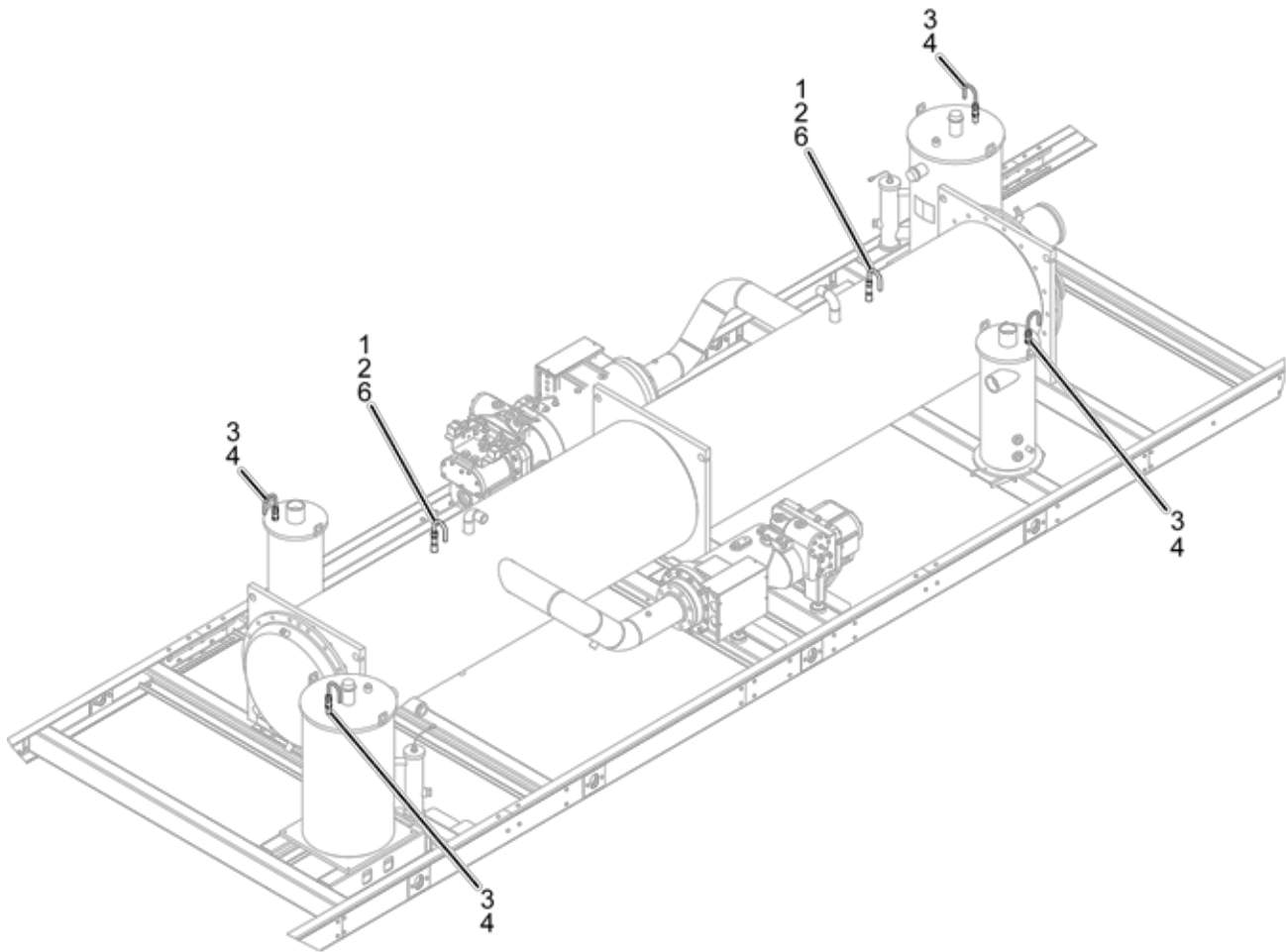
**TABLE 93 - DUAL PRESSURE RELIEF PED (PIN 33 = R)**

ITEM	MODEL	DESCRIPTION	PART NUMBER	SAP NUMBER	FIGURE
21	0153/0543 - 0523/1843	Connector Male 3/8" NPT X 1/2"	023-23698-000	420790	94
22	0153/0543 - 0523/1843	Connector Bulkhead Male 3/8"	023-23699-000	420789	94
23	0153/0543 - 0523/1843	Connector Male 1/2" NPT X 1/2"	023-25240-000	694539	*
24	0153/0543 - 0345/1215	Connr Female 1/2 NPT X 1/2FI	023-26304-000	1174803	*
	0368/1288 - 0523/1843	Union Bulkhead 1/2 NPTI X 1/2FI	023-22872-000	371743	
25	0153/0543 - 0523/1843	Valve 3/8" 3-Way Dual Shut Off	022-11716-000	401271	94
26	0153/0543 - 0345/1215	Valve Relief 3/8 NPTE X 1/2FI	022-12076-000	671326	94
	0368/1288 - 0523/1843	Valve Relief 3/8 NPTE X 1/2	022-12045-000	731485	
28	0153/0543 - 0523/1843	Valve 1/2" 3-Way Dual Shut Off	022-12641-000	996997	94
29	0153/0543 - 0345/1215	Safety Valve 16.2 Bar Od 12.7Mm / 1/2In	022-12373-000	841430	94
	0368/1288 - 0523/1843	Valve Relief 1/2 NPTE 16.2 Bar	022-12209-000	701998	
104	0153/0543 - 0278/0988	Pressure Switch CE PED	375-94077-990	678494	*
		Fitting, 37 Deg. Flared Tube	023-25414-000	699734	
		Tube High Pressure Cutout	075-94078-000	678207	
		Bulkhead, 37 Deg. Flared Tube	023-25415-000	734207	
		Manual Reset High Pressure	025-44464-000	678497	
		High Press Switch W/Internal	025-44465-000	678498	
		Harness Dual HPCO 1-FHP1	575-77880-264	808453	
		Harness Dual HPCO 1-FHP2	575-77880-265	808454	
		Harness Dual HPCO 2-FHP1	575-77880-266	808455	
		Harness Dual HPCO 2-FHP2	575-77880-267	808456	
		Dual HPCO Jumper	575-77880-263	808452	
104	0295/1015 - 0318/1188	Pressure Switch CE PED	375-94077-993	1048657	*
		Fitting, 37 Deg. Flared Tube	023-25414-000	699734	
		Tube High Pressure Cutout	075-94078-000	678207	
		Bulkhead, 37 Deg. Flared Tube	023-25415-000	734207	
		Manual Reset High Pressure	025-44464-000	678497	
		High Press Switch W/Internal	025-44465-000	678498	
		Harness Dual HPCO 1-FHP1	575-77880-448	878691	
		Harness Dual HPCO 1-FHP2	575-77880-458	1048707	
		Harness Dual HPCO 2-FHP1	575-77880-266	808455	
		Harness Dual HPCO 2-FHP2	575-77880-267	808456	
		Dual HPCO Jumper	575-77880-263	808452	
104	0323/1143 - 0345/1215	Pressure Switch Assy CE PED	375-94077-995	1048659	*
		Fitting, 37 Deg. Flared Tube	023-25414-000	699734	
		Tube High Pressure Cutout	075-94078-000	678207	
		Bulkhead, 37 Deg. Flared Tube	023-25415-000	734207	
		Manual Reset High Pressure	025-44464-000	678497	
		High Press Switch W/Internal	025-44465-000	678498	
		Harness Dual HPCO 1-FHP1	575-77880-448	878691	
		Harness Dual HPCO 1-FHP2	575-77880-458	1048707	
		Harness Dual HPCO 2-FHP1	575-77880-459	1048708	
		Harness Dual HPCO 2-FHP2	575-77880-460	1048709	
		Dual HPCO Jumper	575-77880-263	808452	

**TABLE 93 - DUAL PRESSURE RELIEF PED (PIN 33 = R) (CONT'D)**

ITEM	MODEL	DESCRIPTION	PART NUMBER	SAP NUMBER	FIGURE
104	0368/1288 - 0375/1315	Pressure Switch CE PED	375-94077-994	1048658	*
		Fitting, 37 Deg. Flared Tube	023-25414-000	699734	
		Tube High Pressure Cutout	075-94078-000	678207	
		Bulkhead, 37 Deg. Flared Tube	023-25415-000	734207	
		Manual Reset High Pressure	025-44464-000	678497	
		High Press Switch W/Internal	025-44465-000	678498	
		Harness Dual HPCO 1-FHP1	575-77880-448	878691	
		Harness Dual HPCO 1-FHP2	575-77880-458	1048707	
		Harness Dual HPCO 2-FHP1	575-77880-266	808455	
		Harness Dual HPCO 2-FHP2	575-77880-267	808456	
		Dual HPCO Jumper	575-77880-263	808452	
104	0398/1388 - 0428/1488	Pressure Switch CE PED	375-94077-991	885382	*
		Fitting, 37 Deg. Flared Tube	023-25414-000	699734	
		Tube High Pressure Cutout	075-94078-000	678207	
		Bulkhead, 37 Deg. Flared Tube	023-25415-000	734207	
		Manual Reset High Pressure	025-44464-000	678497	
		High Press Switch W/Internal	025-44465-000	678498	
		Harness Dual HPCO 1-FHP1	575-77880-448	878691	
		Harness Dual HPCO 1-FHP2	575-77880-458	1048707	
		Harness Dual HPCO 2-FHP1	575-77880-459	1048708	
		Harness Dual HPCO 2-FHP2	575-77880-460	1048709	
		Dual HPCO Jumper	575-77880-263	808452	
104	0443/1543 - 0523/1843	Pressure Switch Assy CE PED	375-94077-992	878669	*
		Fitting, 37 Deg. Flared Tube	023-25414-000	699734	
		Tube High Pressure Cutout	092-12438-000	878666	
		Bulkhead, 37 Deg. Flared Tube	023-25415-000	734207	
		Bracket Pressure Switch Mtg	075-94076-002	1180534	
		Manual Reset High Pressure	025-44464-000	678497	
		High Press Switch W/Internal	025-44465-000	678498	
		Harness Dual HPCO 1-FHP1	575-77880-448	878691	
		Harness Dual HPCO 1-FHP2	575-77880-458	1048707	
		Harness Dual HPCO 2-FHP1	575-77880-459	1048708	
		Harness Dual HPCO 2-FHP2	575-77880-460	1048709	
		Dual HPCO Jumper	575-77880-263	808452	

**NOTE:** Items with an \* are NOT represented.



LD17463

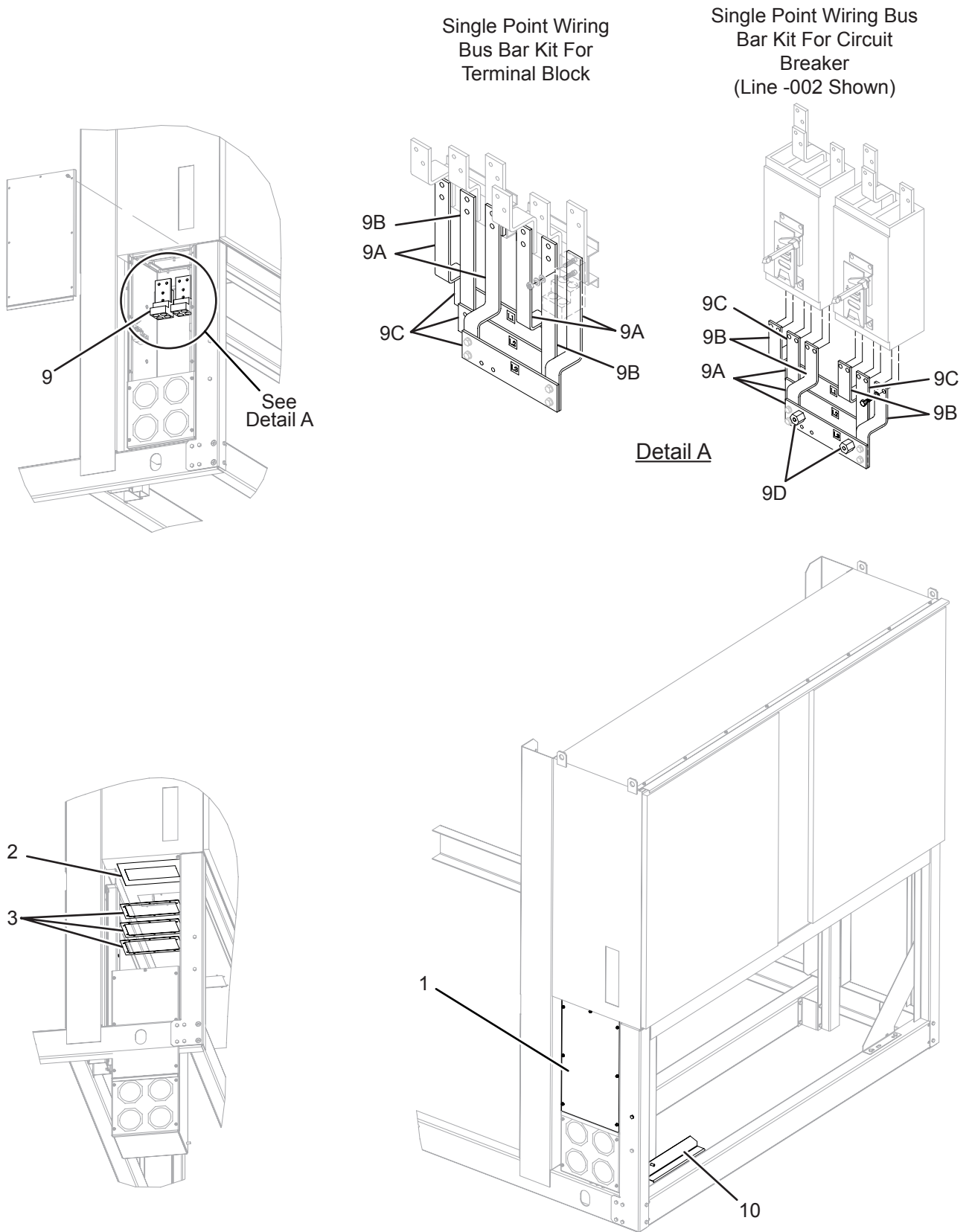
**FIGURE 94 - PRESSURE RELIEF**

**TABLE 94 - PRESSURE SWITCH COMPONENTS**

ITEM	Pin 47 =	MODEL	DESCRIPTION	PART NUMBER	SAP NUMBER	QUANTITY
	A	0153/0543 - 0345/1215	Pressure Switch UL Listing	375-66947-001	787001	1
1		0153/0543 - 0345/1215	Wiring Harness High Press	592-07169-208	808830	1
2			Wiring Harness High Press	592-07169-209	808831	1
3			Grommet, Blind Type .875 Dia	028-15804-000	742152	2
	A	0373/1343 - 0523/1843	Pressure Switch UL Listing Assy	392-07129-000	878676	1
1		0373/1343 - 0523/1843	Sys. #1 HPCO Harness	575-77880-754	878693	1
2			Sys. #2 HPCO Harness	575-77880-755	878694	1
3			Grommet, Blind Type .875 Dia	028-15804-000	742152	2
	E	0153/0543 - 0345/1215	Pressure Switch CE PED	375-94077-990	678494	1
1		0153/0543 - 0345/1215	Fitting, 37 Deg. Flared Tube	023-25414-000	699734	2
2			Tube High Pressure Cutout	075-94078-000	678207	2
3			Bulkhead, 37 Deg. Flared Tube	023-25415-000	734207	2
4			Bracket Press Switch Mtg	075-94076-000	678208	2
5			Tee 1/4 X 1/4 Ext Fla X	023-00972-000	371710	2
6			Manual Reset High Pressure	025-44464-000	678497	2
7			High Press Switch W/Internal	025-44465-000	678498	2
8			Harness Dual HPCO 1-FHP1	575-77880-264	808453	1
9			Harness Dual HPCO 1-FHP2	575-77880-265	808454	1
10			Harness Dual HPCO 2-FHP1	575-77880-266	808455	1
11			Harness Dual HPCO 2-FHP2	575-77880-267	808456	1
12			Screw Cap Hex Hd 16 X 2.6G	021-19179-000	730391	8
13			Washer Plain 11/16 Id X 1-3/4	021-16142-000	729906	8
14			Dual HPCO Jumper	575-77880-263	808452	2
16			Nut Flare Hydraulic 1/4 Od	023-09670-000	146787	2
17			Sleeve Flare Hydraulic 1/4 Od	023-10000-000	146748	2
	E	0373/1343 - 0523/1843	Pressure Switch Assy CE PED	375-94077-992	878669	1
1		0373/1343 - 0523/1843	Fitting, 37 Deg. Flared Tube	023-25414-000	699734	2
2			Tube High Pressure Cutout	092-12438-000	878666	2
3			Bulkhead, 37 Deg. Flared Tube	023-25415-000	734207	2
4			Bracket Press Switch Mtg	075-94076-000	678208	2
5			Tee 1/4 X 1/4 Ext Fla X	023-00972-000	371710	2
6			Manual Reset High Pressure	025-44464-000	678497	2
7			High Press Switch W/Internal	025-44465-000	678498	2
8			Harness Dual HPCO 1-FHP1	575-77880-448	878691	1
9			Harness Dual HPCO 1-FHP2	575-77880-265	808454	1
10			Harness Dual HPCO 1-FHP1	575-77880-449	878692	1
11			Harness Dual HPCO 2-FHP2	575-77880-267	808456	1
12			Screw Cap Hex Hd 16 X 2.6G	021-19179-000	730391	8
13			Washer Plain 11/16 Id X 1-3/4	021-16142-000	729906	8
14			Dual HPCO Jumper	575-77880-263	808452	2
16			Nut Flare Hydraulic 1/4 Od	023-09670-000	146787	2
17			Sleeve Flare Hydraulic 1/4 Od	023-10000-000	146748	2

**TABLE 95 - SINGLE POINT WIRING OPTION KIT**

ITEM	PIN 17 =	DESCRIPTION	PART NUMBER	SAP NUMBER	QUANTITY	FIGURE
<b>1</b>	S, O, T	Single Point Wrg Asm	375-61599-000	784138	1	95
<b>A</b>		Wrapper Asm Spw Kit	375-61596-001	784135	1	
		Wrapper Spw Box	075-61596-000	754761	1	
<b>B</b>		Cover, Btm Asm Spw Kit	375-61597-001	784136	1	
		Cover Btm Spw Box	075-61597-000	754762	1	
		Strip 1/4 X 1 X Roll:	028-08359-000	741511	3	
<b>C</b>		Cover, Top Asm Spw Kit	375-61598-001	784137	1	
		Cover Top Spw Box	075-61598-000	754763	1	
		Strip 1/4 X 1 X Roll:	028-08359-000	741511	5	
<b>D</b>		Kit Terminals Drive	371-04523-101	772743	1	
		Channel Glastic Drive	071-04523-312	749020	1	
		Lug, Elec Four Bbl, Wire	025-40519-000	739846	3	
		Bus Bar Single Point Wiring	071-04523-313	749021	3	
		Plate Studs Terminal Block	371-04460-305	772717	3	
<b>E</b>		Lug, Elec Sgl Bbl, #4-500	025-32835-000	738755	1	
<b>2</b>		S, O, T	Plate Adapter Single Point	371-04523-301	772744	
<b>3</b>	S, O, T	Gasket Auto Trans	028-15249-000	742108	3	95
<b>9</b>	S	Bus Bar Spw Kit W/Term Blocks	371-04523-001	772739	1	95
<b>A</b>		Bus Bar Single Point Wrg L1&L3	071-04523-305	749013	4	
<b>B</b>		Bus Bar Single Point Wrg L2	071-04523-306	749014	2	
<b>C</b>		Bus Bar Single Point Wrg	071-04523-307	749015	3	
<b>9</b>	O, T	Bus Bar Spw Kit W/Cir Breaker	371-04523-002	772740	1	95
<b>A</b>		Bus Bar Single Point Wrg	071-04523-307	749015	3	
<b>B</b>		Bus Bar Single Point Wrg L1&L3	071-04523-303	749011	4	
<b>C</b>		Bus Bar Single Point Wrg L2	071-04523-304	749012	2	
<b>D</b>		1" Insr Standoff, Glastic	028-15064-000	741968	2	
<b>10</b>	S, O, T	Bracket Single Point Wiring	092-07072-023	1050276	1	95



**FIGURE 95 - SINGLE POINT WIRING OPTION KIT**

LD17464

**TABLE 96 - WIRE ENCLOSURE KIT PIN 54 = X, E, R, A**

<b>PIN 12 &amp; 13 = 40, 42, 46, OR 50 VOLTS</b>			
<b>MODEL</b>	<b>FULL KIT NUMBER (SAP)</b>	<b>TOP SECTION PART NUMBER (SAP)</b>	<b>BOTTOM SECTION PART NUMBER (SAP)</b>
0153/0543	375-93247-000 (697736)	375-93247-001 (697619)	375-93247-002 (798579)
0165/056, 0183/0643	375-93247-010 (671804)	375-93247-011 (671735)	375-93247-012 (671740)
0178/0588, 0195/0665, 0213/0743, 0215/0765, 0233/0843	375-93247-020 (671409)	375-93247-021 (671410)	375-93247-022 (671421)
0198/0688, 0218/0788, 0245/0865, 0263/0943, 0273/0963, 0275/0965	375-93247-030 (671294)	375-93247-031 (671291)	375-93247-032 (671293)
0248/0888, 0278/0988, 0295/1015, 0303/1093, 0323/1143	375-93247-040 (697737)	375-93247-041 (697740)	375-93247-042 (798582)
0305/1065, 0308/1088, 0333/1173, 0343/1193	392-03482-000 (703471)	392-03482-001 (703476)	392-03482-002 (703477)
0373/1343, 0375/1315, 0413/1443, 0500/1700	392-13710-000 (985769)	392-13710-001 (985770)	392-13710-002 (985771)
0368/1288	392-13710-010 (991664)	392-13710-011 (991665)	392-13710-012 (991666)
0398/1388, 0425/1515, 0443/1543	392-13710-020 (991667)	392-13710-021 (991668)	392-13710-022 (991669)
0428/1488, 0475/1665, 0483/1693, 0523/1843	392-13710-030 (985772)	392-13710-031 (985773)	392-13710-032 (985774)
0318/1188, 0345/1215	375-93247-060 (695085)	375-93247-061 (798584)	375-93247-062 (798585)
0200/0700	392-12861-000 (919442)	392-12861-001 (919443)	392-12861-002 (919444)
<b>PIN 12 &amp; 13 = 17, 28, OR 58 VOLTS</b>			
0153/0543	392-09377-000 (919365)	375-93247-001 (697619)	392-09377-002 (919366)
0165/056, 0183/0643	392-09377-010 (919367)	375-93247-011 (671735)	392-09377-012 (919368)
0178/0588, 0195/0665, 0213/0743, 0215/0765, 0233/0843	392-09377-020 (919369)	375-93247-021 (671410)	392-09377-022 (919370)
0198/0688, 0218/0788, 0245/0865, 0263/0943, 0273/0963, 0275/0965	392-09377-030 (919371)	375-93247-031 (671291)	392-09377-032 (919372)
0248/0888, 0278/0988, 0295/1015, 0303/1093, 0323/1143	392-09377-040 (919373)	375-93247-041 (697740)	392-09377-042 (919374)
0318/1188, 0345/1215	392-09377-060 (919375)	375-93247-061 (798584)	392-09377-062 (919376)
0305/1065, 0308/1088, 0333/1173, 0343/1193	392-09378-000 (919377)	392-03482-001 (703476)	392-09378-002 (919378)
0200/0700	392-12864-000 (919457)	392-12861-001 (919443)	392-12864-002 (919458)
0373/1343, 0375/1315, 0413/1443, 0500/1700	392-14309-000 (985794)	392-13710-001 (985770)	392-14309-002 (985795)
0368/1288	392-14309-010 (991998)	392-13710-011 (991665)	392-14309-012 (991999)
0398/1388, 0425/1515, 0443/1543	392-14309-020 (992000)	392-13710-021 (991668)	392-14309-022 (992001)
0428/1488, 0475/1665, 0483/1693, 0523/1843	392-14309-030 (985796)	392-13710-031 (985773)	392-14309-032 (985797)

**NOTE:**

Pin 54 = X (Level 0 Noise Reduction Kits), E (Economical Low Noise Kits), R (Level 1 Noise Reduction Kits), or A (Basic Noise Reduction Kits)

**TABLE 97 - WIRE ENCLOSURE KIT PIN 54 = N**

<b>PIN 12 &amp; 13 = 40, 42, 46, OR 50 VOLTS</b>			
<b>MODEL</b>	<b>FULL KIT NUMBER (SAP)</b>	<b>TOP SECTION PART NUMBER (SAP)</b>	<b>BOTTOM SECTION PART NUMBER (SAP)</b>
0153/0543	375-93251-000 (798622)	375-93251-001 (798623)	375-93251-002 (798624)
0165/056, 0183/0643	375-93251-010 (798628)	375-93251-011 (798629)	375-93251-012 (798630)
0233/0843	375-93251-020 (798634)	375-93251-021 (820953)	375-93251-022 (820954)
0198/0688, 0263/0943	375-93251-030 (798635)	375-93251-031 (798636)	375-93251-032 (798637)
0273/0963, 0275/0965	392-02029-030 (804847)	392-02029-031 (804848)	392-02029-032 (804849)
0218/0788, 0245/0865	392-02030-030 (804853)	392-02030-031 (804854)	392-02030-032 (804855)
0178/0588, 0195/0665, 0213/0743, 0215/0765	392-02031-020 (804860)	392-02031-021 (804861)	392-02031-022 (804862)
0303/1093	392-07721-040 (806087)	392-07721-041 (806088)	392-07721-042 (806089)
0323/1143	392-07723-040 (806095)	392-07723-041 (806096)	392-07723-042 (806097)
0305/1065, 0333/1173	392-07881-050 (806126)	392-07881-051 (806127)	392-07881-052 (806128)
0308/1088, 0343/1193	392-07884-050 (806140)	392-07884-051 (806141)	392-07884-052 (806142)
0248/0888	392-07887-030 (820959)	392-07887-031 (820960)	392-07887-032 (820961)
0295/1015	392-07891-040 (813866)	392-07891-041 (813867)	392-07891-042 (813868)
0278/0988	392-07897-040 (820981)	392-07897-041 (820982)	392-07897-042 (820983)
0318/1188	392-09016-000 (985674)	392-09016-061 (825631)	392-09016-062 (825632)
0345/1215	392-09016-060 (825630)	392-09016-061 (825631)	392-09016-062 (825632)
0200/0700	392-12863-000 (919452)	392-12863-001 (919453)	392-12863-002 (919454)

**TABLE 97- WIRE ENCLOSURE KIT PIN 54 = N (CONT'D)**

<b>PIN 12 &amp; 13 = 17, 28, OR 58 VOLTS</b>			
<b>MODEL</b>	<b>FULL KIT NUMBER (SAP)</b>	<b>TOP SECTION PART NUMBER (SAP)</b>	<b>BOTTOM SECTION PART NUMBER (SAP)</b>
0318/1188, 0345/1215	392-09392-060 (919411)	392-09016-061 (825631)	392-09392-062 (919412)
0153/0543	392-09393-000 (919413)	375-93251-001 (798623)	392-09393-002 (919414)
0165/0565, 0183/0643	392-09393-010 (919415)	375-93251-011 (798629)	392-09393-012 (919416)
0233/0843	392-09393-020 (919417)	375-93251-021 (820953)	392-09393-022 (919418)
0198/0688, 0263/0943	392-09393-030 (919419)	375-93251-031 (798636)	392-09393-032 (919420)
0178/0588, 0195/0665, 0213/0743, 0215/0765	392-09394-020 (919421)	392-02031-021 (804861)	392-09394-022 (919422)
0273/0963, 0275/0965	392-09395-030 (919423)	392-02029-031 (804848)	392-09395-032 (919424)
0305/1065, 0333/1173	392-09396-050 (919425)	392-07881-051 (806127)	392-09396-052 (919426)
0308/1088, 0343/1193	392-09397-050 (919427)	392-07884-051 (806141)	392-09397-052 (919428)
0218/0788, 0245/0865	392-09398-030 (919429)	392-02030-031 (804854)	392-09398-032 (919430)
0248/0888	392-09402-030 (919431)	392-07887-031 (820960)	392-09402-032 (919432)
0278/0988	392-09403-040 (919433)	392-07897-041 (820982)	392-09403-042 (919434)
0295/1015	392-09404-040 (919435)	392-07891-041 (813867)	392-09404-042 (919436)
0303/1093	392-09405-040 (919437)	392-07721-041 (806088)	392-09405-042 (919438)
0323/1143	392-09406-040 (919439)	392-07723-041 (806096)	392-09406-042 (919440)
0200/0700	392-12866-000 (919461)	392-12863-001 (919453)	392-12866-002 (919462)

**NOTE:** Pin 54 = N (Level 2 Noise Reduction Kits)

**TABLE 98 - WIRE ENCLOSURE KIT COMPONENTS - TOP**

ITEM	PIN 54=	MODELS	DESCRIPTION	YORK NUMBER	SAP NUMBER	FIGURE
100	N	0178/0588, 0195/0665 - 0218/0788, 0245/0865, 0233/0843, 0248/0888, 0263/0943, 0273/0963 - 0295/1015, 0303/1093 - 0345/1215	Rail, Support, LVRS	075-84415-000	671299	96
	X,E,R,A	0153/0543 - 0523/1843				
101	N	0153/0543, 0165/0565, 0183/0643, 0198/0688, 0200/0700, 0233/0843, 0263/0943	Panel, Cover, Wiring Tray	075-79567-001	671311	96
	X,E,R,A	0153/0543 -0303/1093, 0318/1188, 0323/1143, 0345/1215				
102	X,E,R,A	0153/0543 - 0303/1093, 0318/1188, 0323/1143, 0345/1215	Panel, Cover, Wiring Tray	075-79568-001	671312	96
		0368/1288 - 0523/1843		075-79568-034	946852	
	N	0200/0700		075-79568-018	758530	
		0153/0543		092-09018-000	833003	
		0165/0565, 0183/0643		092-09018-003	833006	
		0198/0688, 0233/0843, 0263/0943		092-09018-009	833021	
103	X,E,R,A	0165/0565 - 0198/0688, 0213/0743 - 0303/1093, 0318/1188, 0323/1143, 0345/1215, 0368/1288 - 0523/1843	Panel, Cover, Wiring Tray	075-79569-001	671313	96
		N		0165/0565, 0183/0643, 0198/0688, 0233/0843, 0263/0943	075-79569-003	
	0200/0700			075-94088-002	813841	
104	X,E,R,A	0153/0543, 0178/0588, 0195/0665, 0200/0700 - 0215/0765, 0233/0843, 0248/0888, 0278/0988 - 0303/1093, 0318/1188, 0323/1143, 0345/1215 - 0523/1843	Panel, Cover, Wiring Tray	075-79570-003	677261	96
		N		0165/0565, 0183/0643, 0198/0688, 0218/0788, 0245/0865, 0263/0943, 0273/0963, 0275/0965	075-79570-001	
	0153/0543			092-09018-001	833004	
	0165/0565, 0183/0643			075-79570-011	758572	
	0198/0688, 0263/0943			075-79570-001	671315	
	0200/0700			075-79570-021	758574	
	0233/0843	075-79570-009		703121		
105	N	0153/0543, 0165/0565, 0183/0643, 0198/0688, 0200/0700, 0233/0843, 0263/0943	Panel, Cover, Wiring Tray	075-79567-002	671316	96
	X,E,R,A	0153/0543 - 0303/1093, 0318/1188, 0323/1143, 0345/1215				
106	X,E,R,A	0153/0543 - 0303/1093, 0318/1188, 0323/1143, 0345/1215	Panel, Cover, Wiring Tray	075-79568-002	671317	96
		0368/1288 - 0523/1843		075-79568-035	946853	
	N	0153/0543, 0200/0700		075-79568-019	758531	
		0165/0565, 0183/0643, 0198/0688, 0263/0943		075-79568-022	758534	
		0233/0843		075-79568-004	703267	

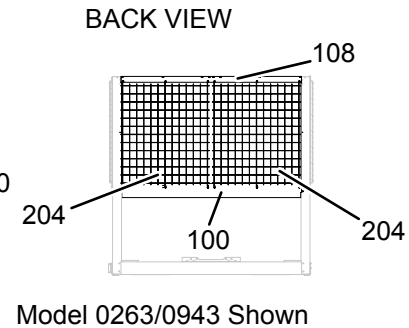
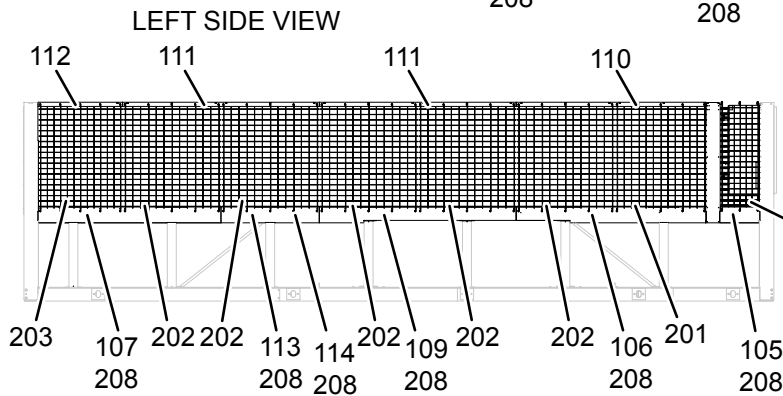
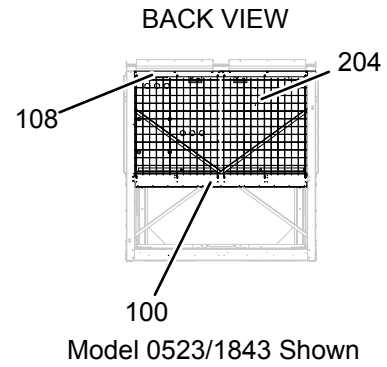
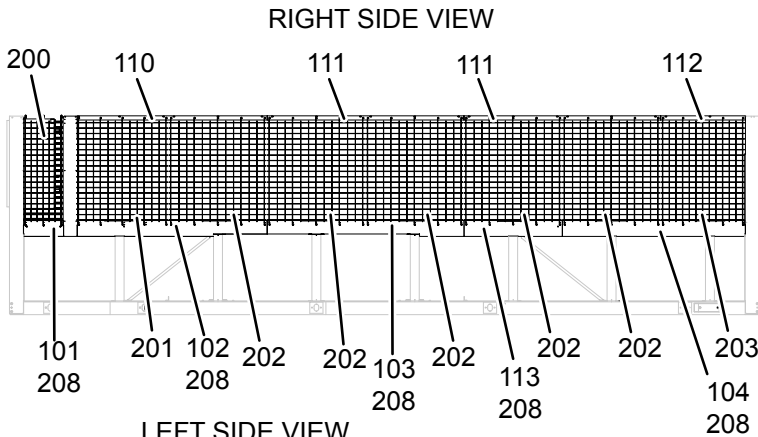
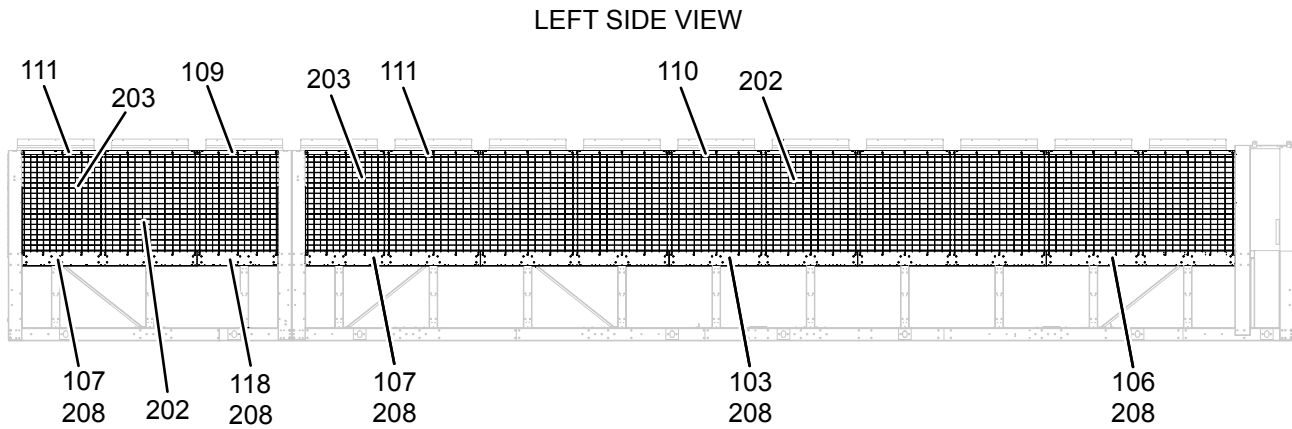
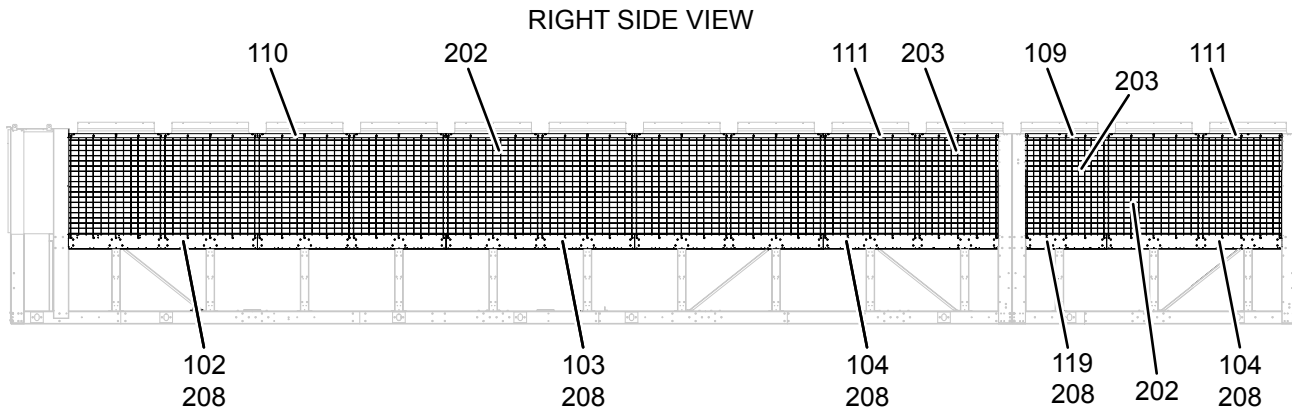
**TABLE 98 - WIRE ENCLOSURE KIT COMPONENTS - TOP (CONT'D)**

ITEM	PIN 54=	MODELS	DESCRIPTION	YORK NUMBER	SAP NUMBER	FIGURE
107	X,E,R,A	0153/0543, 0178/0588, 0195/0665, 0200/0700 - 0215/0765, 0233/0843, 0248/0888, 0278/0988 - 0303/1093, 0318/1188, 0323/1143, 0345/1215 - 0523/1843	Panel, Cover, Wiring Tray	075-79570-004	671414	96
		0165/0565, 0183/0643, 0198/0688, 0218/0788, 0245/0865, 0263/0943, 0273/0963, 0275/0965		075-79570-002	671318	
	N	0153/0543		092-09018-002	833005	
		0165/0565, 0183/0643		092-09018-004	833007	
		0198/0688, 0263/0943		075-79570-002	671318	
		0200/0700		075-79570-022	758575	
		0233/0843		075-79570-010	758571	
108	X,E,R,A	0153/0543 - 0523/1843	Support, Grill	075-93336-000	671319	96
	N	0153/0543 - 0345/1215				
109	X,E,R,A	0368/1288, 0398/1388, 0425/1515, 0443/1543	Support, Grill	075-93336-009	991663	96
		0428/1488, 0475/1665, 0483/1693, 0523/1843		075-93336-003	671322	
	N	0153/0543 - 0198/0688, 0213/0743 - 0303/1093, 0318/1188, 0323/1143, 0345/1215		075-93336-001	671320	
110	X,E,R,A	0165/0565 - 0198/0688, 0213/0743 - 0303/1093, 0318/1188, 0323/1143, 0345/1215 - 0523/1843	Support, Grill	075-93336-002	671321	96
		0200/0700		075-93336-001	671320	
	N	0165/0565, 0183/0643, 0198/0688, 0233/0843, 0263/0943		075-93336-002	671321	
111	N	0165/0565, 0183/0643, 0198/0688, 0263/0943	Support, Grill	075-93336-003	671322	96
	X,E,R,A	0165/0565, 0183/0643, 0198/0688, 0218/0788, 0245/0865 - 0275/0965, 0368/1288				
	N	0233/0843				
	X,E,R,A	0178/0588, 0195/0665, 0213/0743, 0215/0765, 0233/0843		075-93336-004	671416	
	X,E,R,A,N	0153/0543, 0200/0700		075-93336-005	697733	
	X,E,R,A	0248/0888, 0278/0988 - 0303/1093, 0318/1188, 0323/1143, 0345/1215, 0373/1343 - 0523/1843		075-93336-006	695184	
112	X,E,R,A	0368/1288	Panel, Cover, Wiring Tray	075-79570-020	703275	96
		0200/0700		075-94088-001	697749	
113	N	0198/0688, 0263/0943	Panel, Cover, Wiring Tray	075-79569-015	758550	96
114	N	0198/0688, 0263/0943	Panel, Cover, Wiring Tray	075-79569-016	758551	96

**TABLE 98 - WIRE ENCLOSURE KIT COMPONENTS - TOP (CONT'D)**

ITEM	PIN 54=	MODELS	DESCRIPTION	YORK NUMBER	SAP NUMBER	FIGURE
118	X,E,R,A	0368/1288, 0398/1388, 0425/1515, 0443/1543	Panel, Cover, Wiring Tray	075-79570-035	988796	96
		0428/1488, 0475/1665, 0483/1693, 0523/1843		075-79570-001	671315	
119	X,E,R,A	0428/1488, 0475/1665, 0483/1693, 0523/1843	Panel, Cover, Wiring Tray	075-79570-002	671318	96
200	N	0153/0543, 0165/0565, 0183/0643, 0198/0688, 0200/0700, 0233/0843, 0263/0943	Wire Grille	026-46614-000	671327	96
	X,E,R,A	0153/0543 - 0303/1093, 0318/1188, 0323/1143, 0345/1215				
201	N	0153/0543, 0165/0565, 0183/0643, 0198/0688, 0200/0700, 0233/0843, 0263/0943	Wire Grille	026-46612-000	671328	96
	X,E,R,A	0153/0543 - 0303/1093, 0318/1188, 0323/1143, 0345/1215				
202	N	0153/0543, 0165/0565, 0183/0643, 0198/0688, 0200/0700, 0233/0843, 0263/0943	Wire Grille	026-46602-000	671329	96
	X,E,R,A	0153/0543 - 0303/1093, 0318/1188, 0323/1143, 0345/1215 - 0523/1843				
203	N	0153/0543, 0165/0565, 0183/0643, 0198/0688, 0200/0700, 0233/0843, 0263/0943	Wire Grille	026-46613-000	671391	96
	X,E,R,A	0153/0543 - 0303/1093, 0318/1188, 0323/1143, 0345/1215 - 0523/1843				
204	N	0153/0543 - 0345/1215	Wire Grille	026-46609-000	671392	96
	X,E,R,A	0153/0543 - 0523/1843				
208	N	0153/0543, 0165/0565, 0183/0643 - 0200/0700, 0233/0843, 0263/0943	Screw, Trilobular Thread	021-19309-000	730436	96
	X,E,R,A	0153/0543 - 0303/1093, 0318/1188, 0323/1143, 0345/1215 - 0523/1843				
217	X,E,R,A,N	0200/0700	Wire Grille	026-46724-000	697751	*
218	N	0200/0700	Panel, Cover, Wiring Tray	075-94088-003	813842	*

**NOTE:** Items with an \* are NOT represented.



LD17459

**FIGURE 96 - WIRE ENCLOSURE KIT COMPONENTS - TOP**

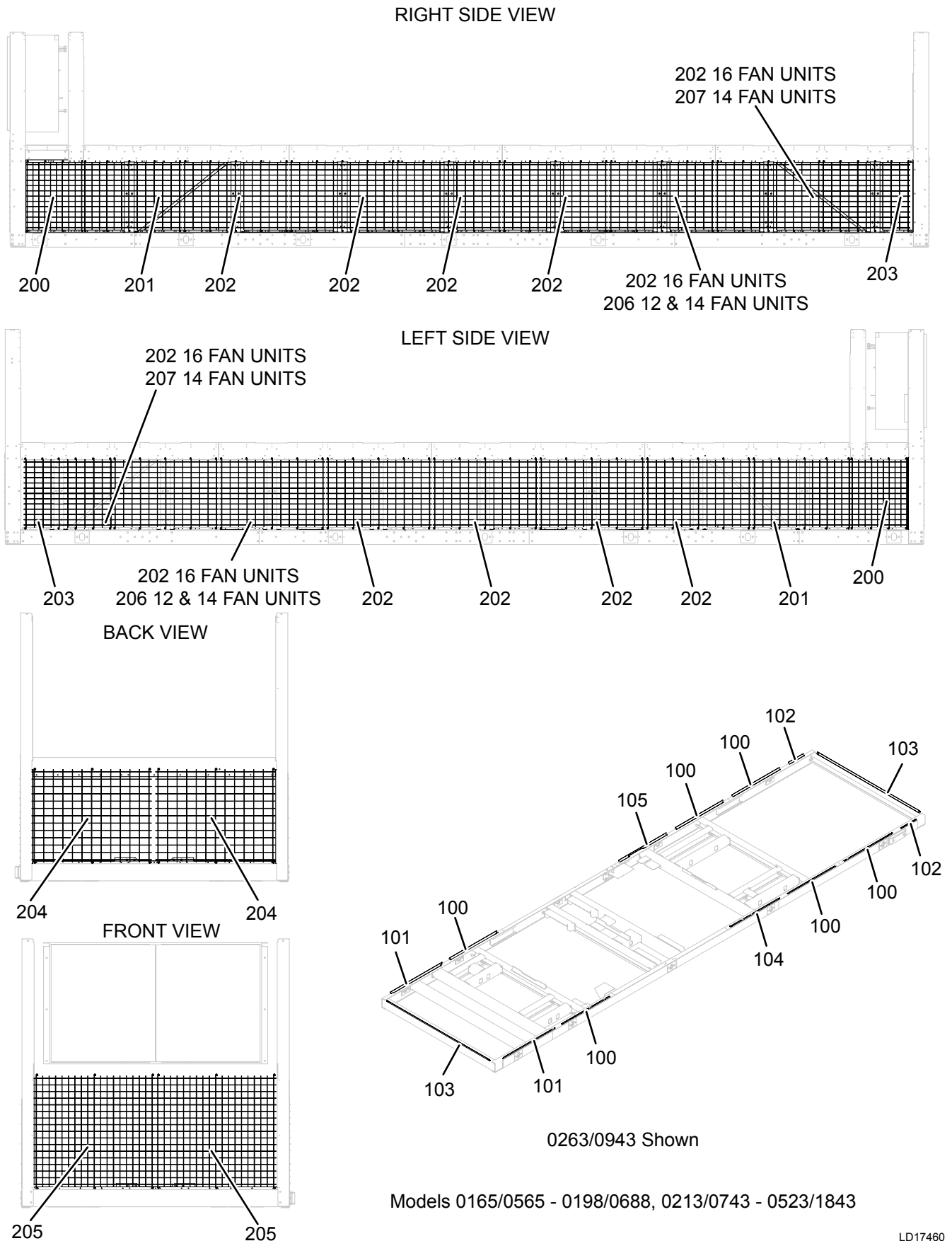
**TABLE 99 - WIRE ENCLOSURE KIT COMPONENTS - BOTTOM**

ITEM	PIN 54=	PIN 12/13=	MODELS	DESCRIPTION	PARTLOL NUMBER	SAP NUMBER	FIGURE
100	X,E,R,A	17,28,40,42,46,50,58	0178/0588, 0195/0665, 0198/0688, 0213/0743 - 0303/1093, 0318/1188, 0323/1143, 0345/1215	Angle, Support, Louvers	075-94066-000	671393	97
			0368/1288 - 0425/1515, 0443/1543, 0500/1700		092-13674-000	946860	
	N		0198/0688, 0233/0843, 0263/0943		075-94066-013	761863	
101	N	17,28,40,42,46,50,58	0165/0565, 0183/0643, 0198/0688, 0233/0843, 0263/0943	Angle, Support, Louvers	075-94066-001	671394	97, 98
	X,E,R,A		0153/0543, 0178/0588, 0195/0665, 0198/0688, 0213/0743 - 0303/1093, 0318/1188, 0323/1143, 0345/1215				
	N		0153/0543				
	X,E,R,A		0368/1288, 0373/1343, 0375/1315, 0398/1388, 0413/1443, 0425/1515, 0443/1543, 0500/1700				
102	N	17,28,40,42,46,50,58	0198/0688, 0233/0843, 0263/0943	Angle, Support, Louvers	075-94066-002	671395	97, 98
	X,E,R,A		0153/0543 - 0198/0688, 0213/0743 - 0303/1093, 0318/1188, 0323/1143, 0345/1215 - 0425/1515, 0443/1543, 0500/1700				
	N		0200/0700				
103	N	40,42,46,50	0153/0543, 0165/0565, 0183/0643, 0200/0700	Angle, Support, Louvers	075-94066-003	671398	97, 98, 99
		17,28,40,42,46,50,58	0178/0588, 0195/0665, 0198/0688, 0213/0743 - 0345/1215				
	X,E,R,A		0153/0543 - 0523/1843				
104	X,E,R,A	17,28,40,42,46,50,58	0178/0588, 0195/0665, 0198/0688, 0213/0743 - 0303/1093, 0318/1188, 0323/1143, 0345/1215 - 0425/1515, 0443/1543, 0500/1700	Angle, Support, Louvers	075-94066-004	671396	97
105	X,E,R,A	17,28,40,42,46,50,58	0178/0588, 0195/0665, 0198/0688, 0213/0743 - 0303/1093, 0318/1188, 0323/1143, 0345/1215	Angle, Support, Louvers	075-94066-005	671397	97
106	X,E,R,A	17,28,40,42,46,50,58	0153/0543, 0165/0565, 0183/0643	Angle, Support, Louvers	075-94066-006	671803	98
114	X,E,R,A	17,28,40,42,46,50,58	0200/0700	Angle, Support, Louvers	075-94066-008	695561	99
115	X,E,R,A	17,28,40,42,46,50,58	0200/0700	Angle, Support, Louvers	075-94066-009	695562	99
116	X,E,R,A	17,28,40,42,46,50,58	0200/0700	Angle, Support, Louvers	075-94066-010	695563	99
117	X,E,R,A	17,28,40,42,46,50,58	0200/0700	Angle, Support, Louvers	075-94066-011	695564	99

**TABLE 99 - WIRE ENCLOSURE KIT COMPONENTS - BOTTOM (CONT'D)**

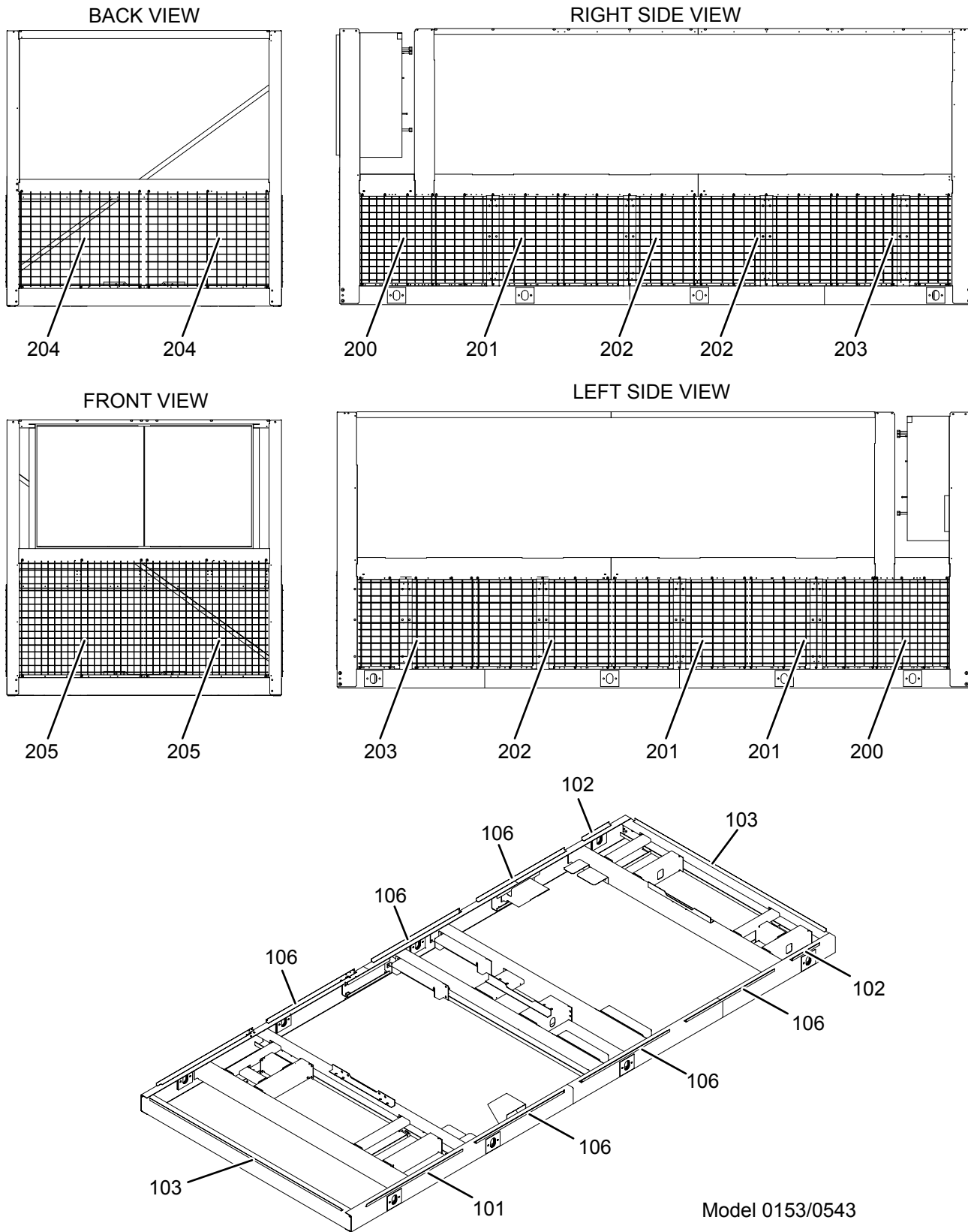
ITEM	PIN 54=	PIN 12/13=	MODELS	DESCRIPTION	PARTLOL NUMBER	SAP NUMBER	FIGURE
200	X,E,R,A	17,28,40,42, 46,50,58	0153/0543 - 0198/0688, 0213/0743 - 0303/1093, 0318/1188, 0323/1143, 0345/1215	Wire Grille	026-46610-000	671400	97, 98
			0368/1288 - 0425/1515, 0443/1543, 0500/1700		026-46610-001	985766	
	0165/0565, 0183/0643, 0198/0688, 0233/0843, 0263/0943		026-46727-000		678467		
	0153/0543		026-46730-020		741344		
	0200/0700		026-46730-028		813190		
201	X,E,R,A	17,28,40,42, 46,50,58	0153/0543 - 0303/1093, 0318/1188, 0323/1143, 0345/1215	Wire Grille	026-46615-000	671401	97, 98, 99
	N		0233/0843		026-46727-001	678468	
202	X,E,R,A	17,28,40,42, 46,50,58	0153/0543 - 0213/0743, 0303/1093, 0318/1188, 0323/1143, 0345/1215 - 0425/1515, 0443/1543, 0500/1700	Wire Grille	026-46616-000	671405	98, 99
	N		0233/0843		026-46728-000	678469	
203	X,E,R,A	17,28,40,42, 46,50,58	0153/0543 -0198/0688, 0213/0743 - 0303/1093, 0318/1188, 0323/1143, 0345/1215 - 0443/1543, 0500/1700	Wire Grille	026-46617-000	671402	97, 98, 99
	N		0198/0688, 0263/0943		026-46727-001	678468	
204	N	17,28,40,42, 46,50,58	0178/0588, 0195/0665, 0198/0688, 0213/0743 - 0303/1093, 0345/1215	Wire Grille	026-46601-000	671403	97, 98, 99
	X,E,R,A		0153/0543 - 0523/1843		026-46601-000	671403	
205	N	40,42,46,50	0153/0543, 0165/0565, 0183/0643, 0200/0700	Wire Grille	026-46600-000	671404	97, 98, 99
206	X,E,R,A	17,28,40,42, 46,50,58	0178/0588, 0195/0665, 0198/0688, 0213/0743 - 0245/0865, 0263/0943, 0273/0963, 0275/0965	Wire Grille	026-46618-000	671406	97
207	X,E,R,A	17,28,40,42, 46,50,58	0198/0688, 0218/0788, 0245/0865 - 0275/0965	Wire Grille	026-46693-000	671407	97
	N	17,28,40,42, 46,50,58	0198/0688, 0263/0943		026-46728-000	678469	
211	X,E,R,A	17,28,40,42, 46,50,58	0200/0700	Wire Grille	026-46692-000	671420	99
212	X,E,R,A	17,28,40,42, 46,50,58	0200/0700	Wire Grille	026-46725-000	697752	99
213	X,E,R,A	17,28,40,42, 46,50,58	0200/0700	Wire Grille	026-46726-000	697753	*

**NOTE:** Items with an \* are NOT represented.



LD17460

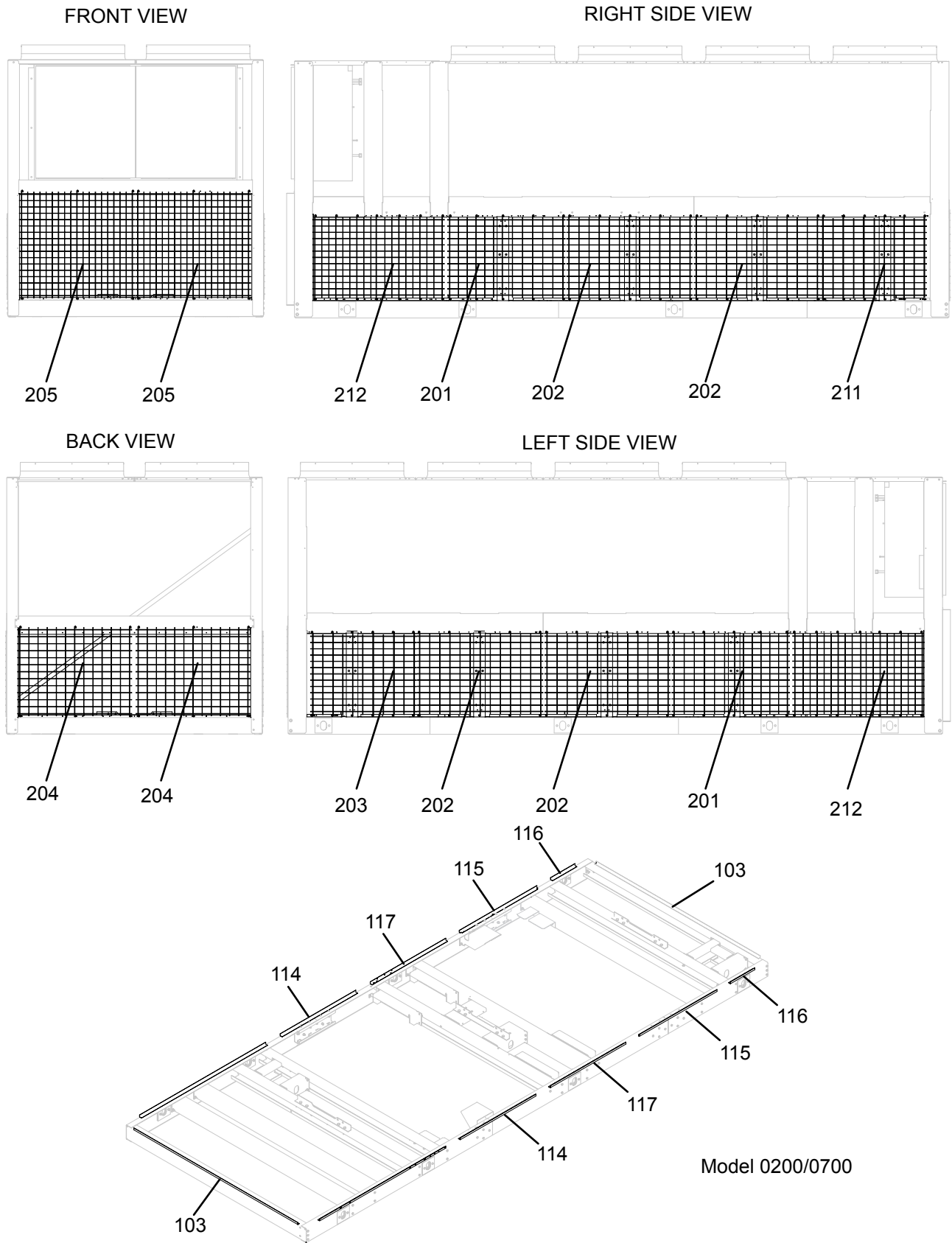
**FIGURE 97 - WIRE ENCLOSURE KIT COMPONENTS - MODELS 0165/0565 - 0198/0688, 0213/0743 - 0523/1843**



Model 0153/0543

LD17461

FIGURE 98 - WIRE ENCLOSURE KITS COMPONENTS - MODEL 0153/0543



LD17462

**FIGURE 99 - WIRE ENCLOSURE KIT COMPONENTS - MODEL 0200/0700**

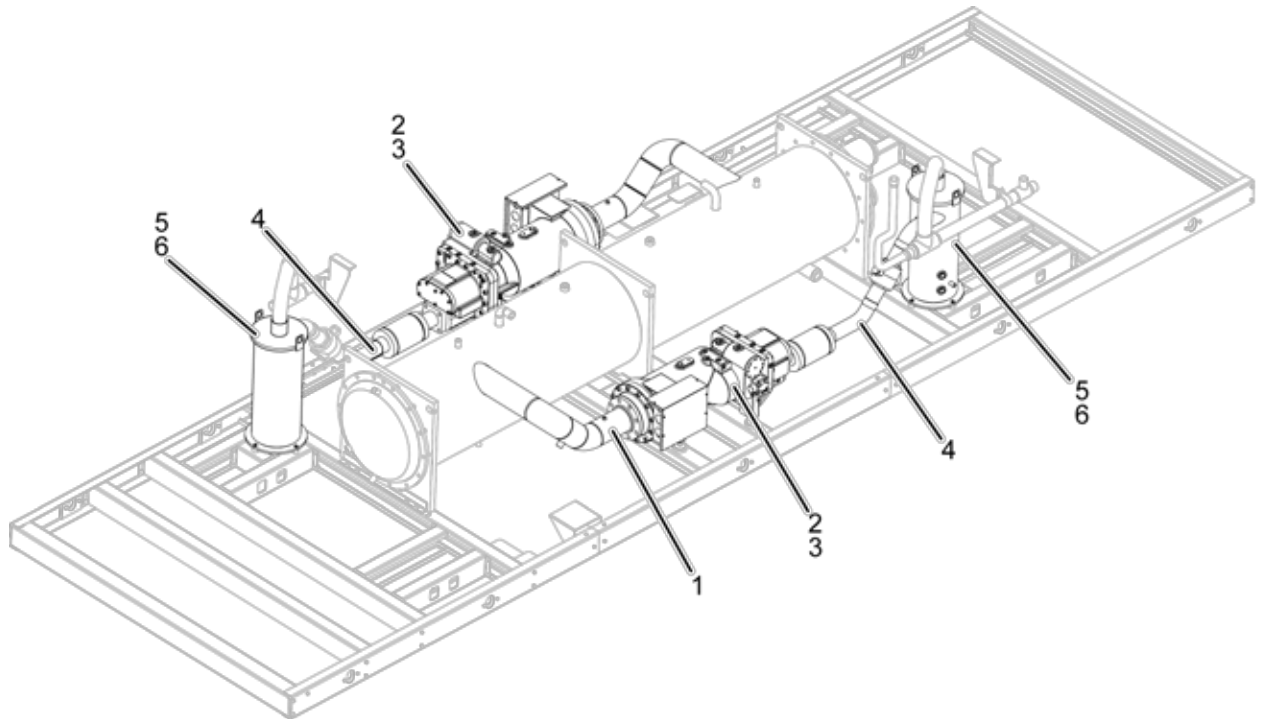
**TABLE 100 - ACOUSTICAL ARRANGEMENT, BASIC AND LEVEL 0 REDUCTION**

ITEM	DESCRIPTION	PIN 54 =	MODEL	PART NUMBER	SAP NUMBER	QTY	FIGURE
1	Lagging, Sound Suction	X, A	0153/0543, 0165/0565	010-07735-000	556330	2	100
		A	0198/0688, 0233/0843, 0243/0888, 0263/0943			2	
		X, A	0183/0643, 0195/0665, 0213/0743	010-07735-001	684340	2	
		X, A	0178/0588, 0200/0700, 0215/0765, 0218/0788, 0245/0865, 0303/1093, 0305/1065, 0333/1173	010-07735-002	684631	2	
		X	0198/0688, 0233/0843, 0248/0888, 0263/0943			2	
		A	0323/1143, 0343/1193, 0345/1215			2	
		X, A	0275/0965 - 0295/1015, 0308/1088, 0318/1188	010-07735-003	684632	2	
		X	0323/1143, 0343/1193, 0345/1215			2	
		X, A	0273/0963	010-07735-004	702907	2	
		X, A	0475/1665, 0500/1700, 0523/1843	010-07735-005	874161	2	
		X, A	0443/1543, 0483/1693	010-07735-006	985659	2	
		X, A	0413/1443, 0425/1515	010-07735-007	999674	2	
		X, A	0373/1343	010-07735-008	999675	2	
		X, A	0368/1288, 0375/1315, 0398/1388, 0428/1488	010-07735-009	1041061	1	
2	Kit, Compr Blanket	X	0153/0543 - 0218/0788, 0233/0843 - 0278/0988	010-07808-000	728960	2	100
			0295/1015 - 0318/1188, 0368/1288, 0375/1315, 0398/1388, 0428/1488	010-07808-003	680122	1	
			0323/1143 - 0345/1215	010-07808-003	680122	2	
			0373/1343	010-07808-004	874162	1	
			0413/1443, 0425/1515, 0443/1543 - 0523/1843	010-07808-004	874162	2	
3	Kit, Compr Blanket	X	0295/1015 - 0318/1188	010-07808-000	728960	1	100
			0373/1343	010-07808-002	680121	1	
			0368/1288, 0375/1315, 0398/1388, 0428/1488	010-07808-004	874162	1	
4	Lagging, Sound, Pipe Discharg	X, A	0153/0543 - 0278/0988, 0323/1143, 0343/1193, 0345/1215	010-06568-000	636215	5	100
			0303/1093, 0305/1065, 0333/1173			6	
			0368/1288 - 0523/1843			12	
			0295/1015, 0308/1088, 0318/1188			10	

**TABLE 100 - ACOUSTICAL ARRANGEMENT, BASIC AND LEVEL 0 REDUCTION (CONT'D)**

ITEM	DESCRIPTION	PIN 54 =	MODEL	PART NUMBER	SAP NUMBER	QTY	FIGURE
5	Kit, Lagging Sound, 8" Oil Separator	X, A	0153/0543, 0165/0565	010-07809-000	664085	2	100
			0183/0643			1	
	Lagging, Sound, Oil Separator		0195/0665, 0200/0700 - 0218/0788, 0245/0865, 0273/0963 - 0278/0988	010-07734-000	728854	2	
			0295/1015 - 0318/1188, 0373/1343	010-07799-000	703318	1	
			0323/1143 - 0368/1288, 0375/1315, 0398/1388 - 0523/1843			2	
			A	0198/0688, 0233/0843, 0248/0888, 0263/0943	010-07734-000	728854	
6	Lagging, Sound, Oil Separator	X, A	0183/0643, 0295/1015, 0303/1093, 0305/1065, 0308/1088, 0318/1188, 0373/1343	010-07734-000	728854	1	100
	Kit, Lagging Sound, 8" Oil Separator	X	0198/0688, 0233/0843, 0248/0888, 0263/0943	010-07809-000	664085	1	

**NOTE:** Items with an \* are NOT represented.



LD17454

**FIGURE 100 - ACOUSTICAL ARRANGEMENT, BASIC AND LEVEL 0 REDUCTION**

**TABLE 101 - TOP EDGE GUARD KIT**

<b>MODEL</b>	<b>FANS</b>	<b>EDGE GUARD KIT</b>
0153/0543	8	375 94097 008
0165/0565 0183/0643	10	375 94097 010
0178/0588 0195/0665 0213/0743 - 0215/0765 0233/0843	12	375 94097 012
0198/0688 0218/0788 0245/0865 0263/0943 - 0275/0965	14	375 94097 014
0200/0700	8	375 94097 200
0248/0888 0278/0988 0295/1015 - 0303/1093 0323/1143	16	375 94097 016
0305/1065 - 0308/1088 0333/1173 0343/1193	18	375 94097 018
0318/1188 0345/1215	20	375 94097 020

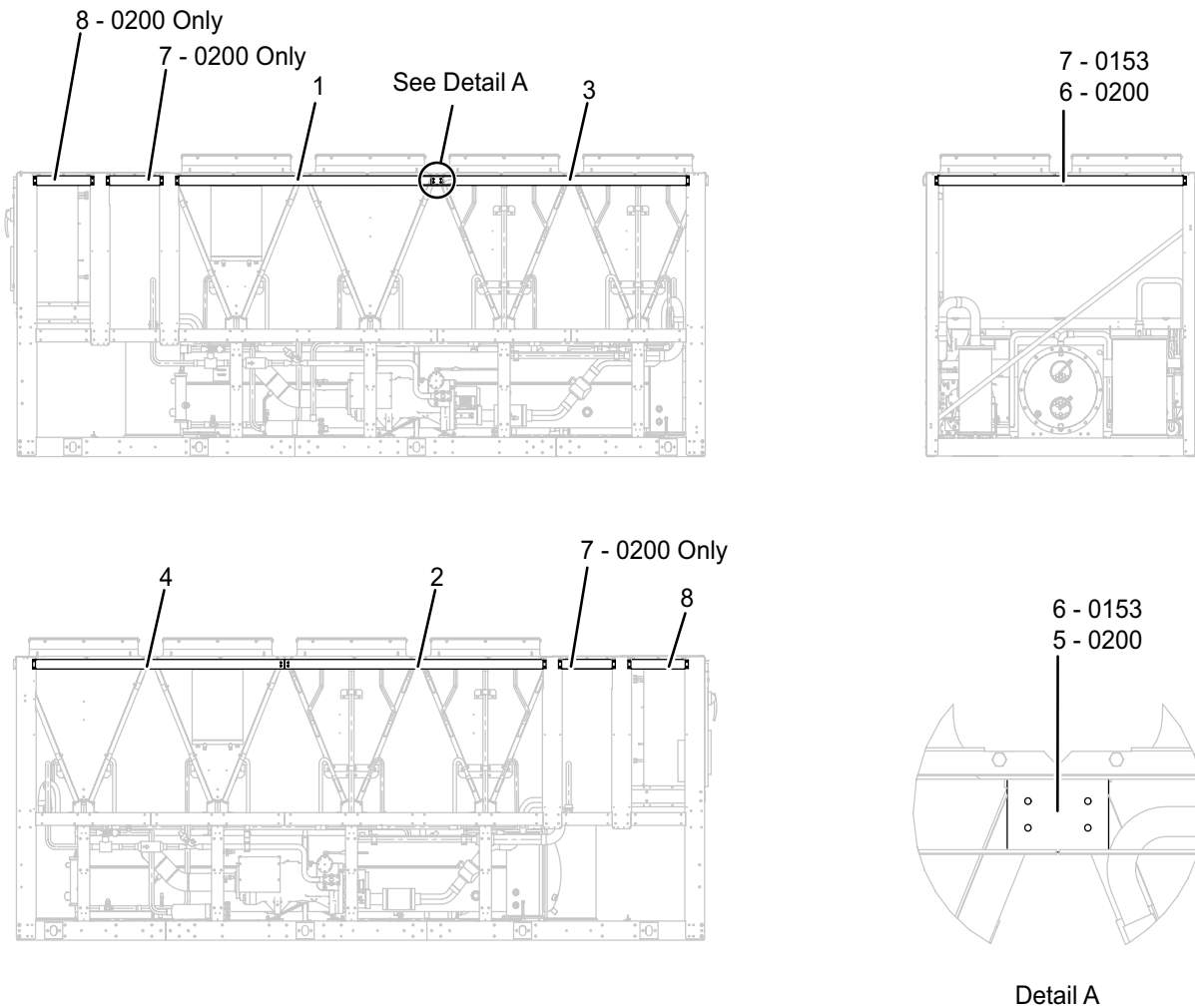
1. See *Table 89 on page 252* and *Figure 101 on page 252* and *Figure 102 on page 252* for individual Top Edge Guards.

**TABLE 102 - TOP EDGE GUARDS**

ITEM	MODEL	FANS	DESCRIPTION	PART NUMBER	QUANTITY	FIGURE
1	all	all	Top Edge Guard Component	075 94098 001	1	101, 102
2	all	all	Top Edge Guard Component	075 94098 002	1	101, 102
3	0165/0565 - 0195/0665 0213/0743 - 0215/0765 0233/0843	10, 12	Top Edge Guard Component	075 94098 003	2	101, 102
	0198/0688 0218/0788 0245/0865 - 0303/1093 0318/1188 - 0323/1143 0345/1215	14, 16			4	
	0200/0700	8			1	
	0305/1065 - 0308/1088 0333/1173 0343/1193	18, 20			6	
4	0153/0543 0178/0588 0195/0665 0200/0700 - 0215/0765 0233/0843 0248/0888 0278/0988 - 0303/1093 0318/1188 - 0323/1143 0345/1215	8, 12, 16, 20	Top Edge Guard Component	075 94098 007	1	101, 102
	0165/0565 0183/0643 0198/0688 0218/0788 0245/0865 0263/0943 - 0275/0965 0305/1065 - 0308/1088 0333/1173 - 0343/1193	10, 14, 18	Top Edge Guard Component	075 94098 004	1	
5	0153/0543 0178/0588 0195/0665 0213/0743 - 0215/0765 0233/0843 0248/0888 0278/0988 - 0303/1093 0318/1188 - 0323/1143 0345/1215	8, 12, 16, 20	Top Edge Guard Component	075 94098 008	1	101, 102
	0165/0565 0183/0643 0198/0688 0218/0788 0245/0865 0263/0943 - 0275/0965 0305/1065 - 0308/1088 0333/1173 - 0343/1193	10, 14, 18	Top Edge Guard Component	075 94098 005	1	
	0200/0700	8	Top Edge Guard Component	075 94098 006	2	

**TABLE 102 - TOP EDGE GUARDS (CONT'D)**

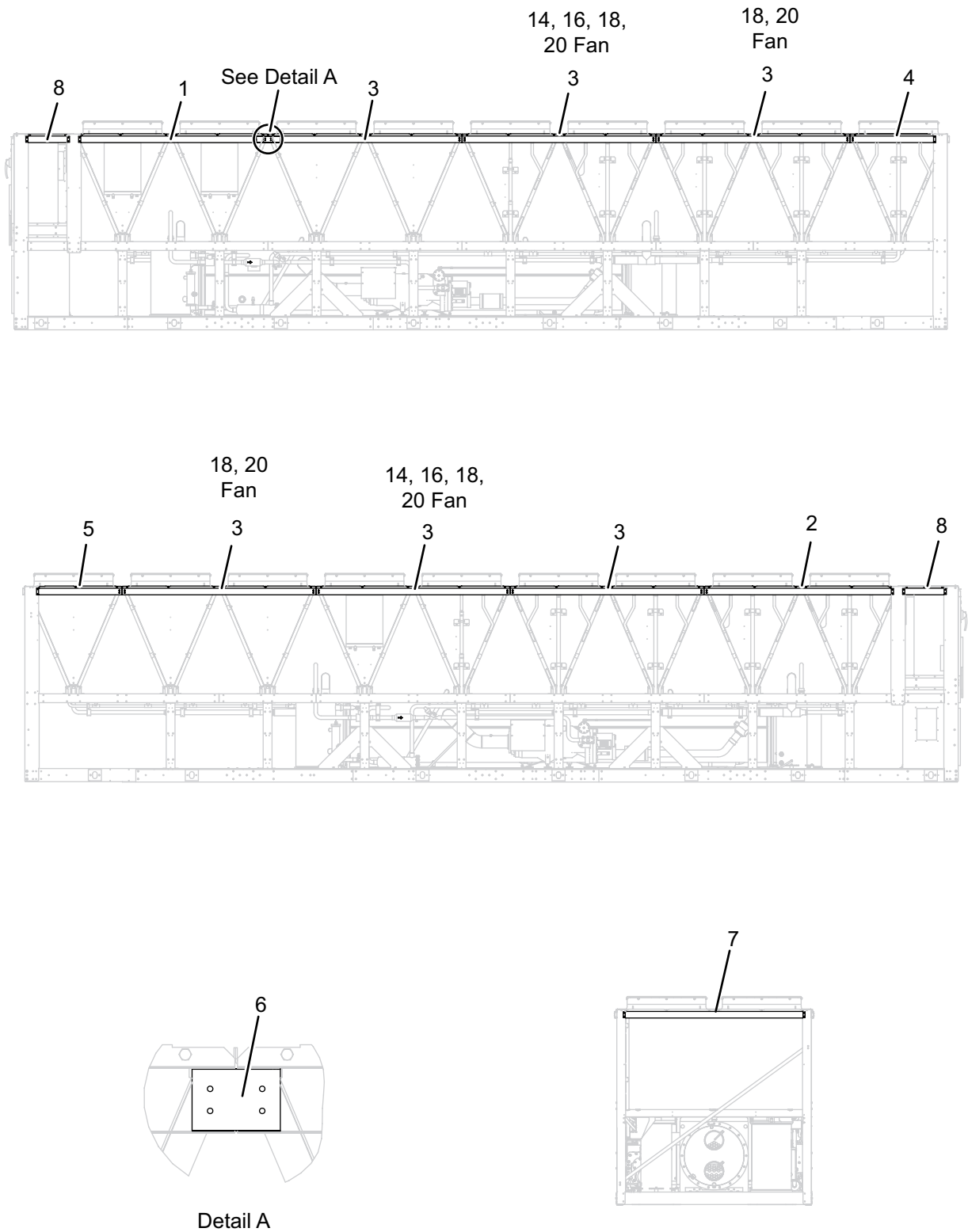
ITEM	MODEL	FANS	DESCRIPTION	PART NUMBER	QUANTITY	FIGURE
6	0153/0543	8	Top Edge Guard Component	075 94098 006	2	101, 102
	0165/0565 - 0195/0665 0213/0743 - 0215/0765 0233/0843	10, 12			4	
	0198/0688 0218/0788 0245/0865 - 0303/1093 0323/1143	14, 16			6	
	0200/0700	8	Top Edge Guard Component	075 94098 009	1	
	0305/1065 - 0318/1188 0333/1173 - 0345/1215	18, 20	Top Edge Guard Component	075 94098 006	8	
	7	0200/0700	8	Top Edge Guard Component	075 94098 010	
all except 0200/0700		all	Top Edge Guard Component	075 94098 009	1	
8	all	all	Top Edge Guard Component	075 94098 011	2	101, 102



0200 SHOWN

LD16174

**FIGURE 101 - TOP EDGE GUARDS - MODELS 0153/0543 AND 0200/0700**

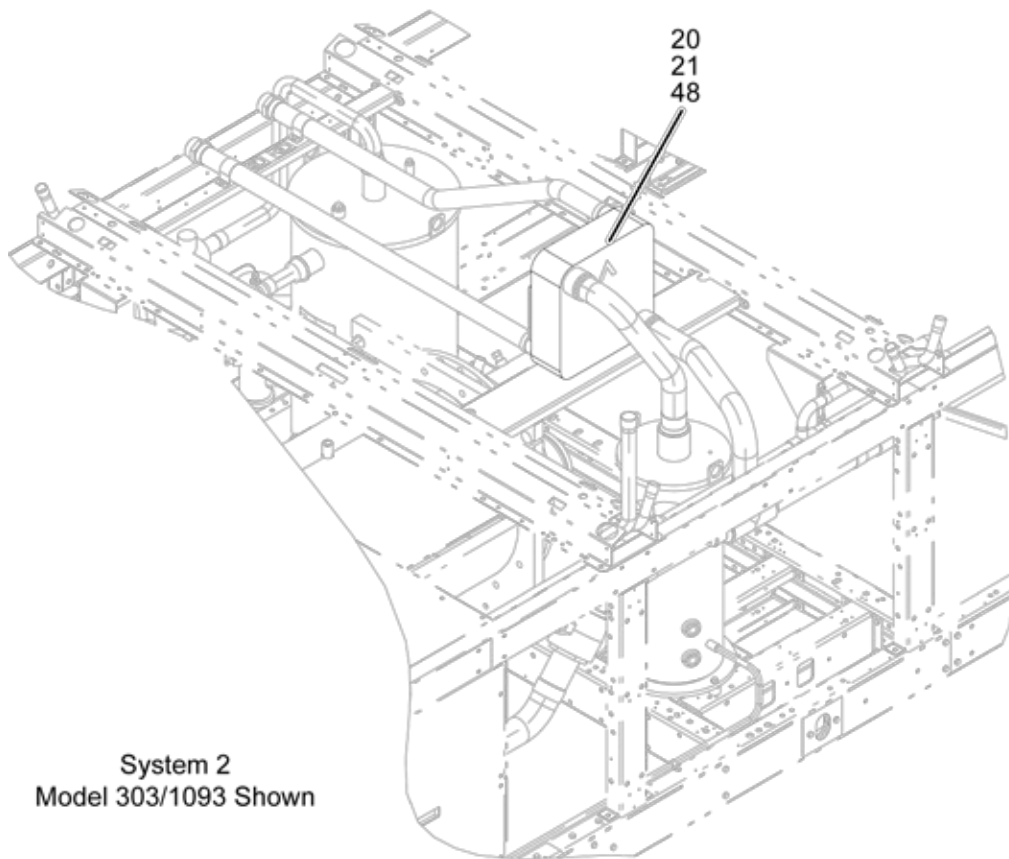
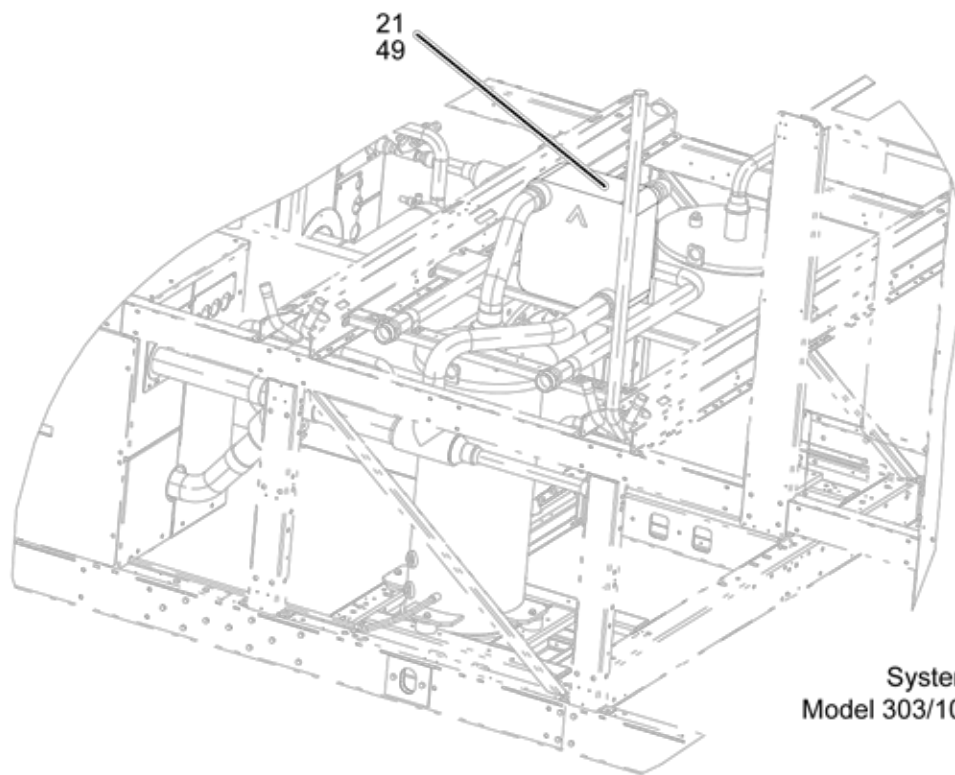


**FIGURE 102 - TOP EDGE GUARDS - ALL MODELS EXCEPT 0153/0543 AND 0200/0700**

LD16173

**TABLE 103 - DESUPERHEATERS**

ITEM	MODEL	DESCRIPTION	PART NUMBER	SAP NUMBER	FIGURE
20	0183/0643	Heat Exchanger Plate B60 X 30 Sys 2	026-45020-001	884607	103
	0233/0843	Heat Exchanger Plate B60 X 40 Sys 2	026-45021-001	884608	
21	0153/0543, 0165/0565, 0178/0588, 0195/0665, 0198/0688	Heat Exchanger Plate B60 X 30 Sys 1 & Sys 2	026-45020-001	884607	103
	0200/0700 - 0218/0788, 0248/0888, 0273/0963, 0373/1343, 0375/1315, 0413/1443, 0425/1515	Heat Exchanger Plate B60 X 40 Sys 1 & Sys 2	026-45021-001	884608	
	0245/0865, 0263/0943, 0275/0965, 0278/0988	Heat Exchanger Plate B60 X 46 Sys 1 & Sys 2	026-45022-001	884609	
	0183/0643,	Heat Exchanger Plate B60 X 40 Sys 1	026-45021-001	884608	
	0233/0843	Heat Exchanger Plate B60 X 46 Sys 1	026-45022-001	884609	
	0443/1543 - 0523/1843	Heat Exchanger Plate B633 X 74 Sys 1 & Sys 2	026-47112-001	1084080	
	0295/1015, 0305/1065, 0308/1088, 0318/1188	Heat Exchanger Plate B60 X 70 Sys 1 & Sys 2	026-47111-001	885318	
48	0303/1093	Heat Exchanger Plate B60 X 46 Sys 2	026-45022-001	884609	103
49	0303/1093	Heat Exchanger Plate B60 X 70 Sys 1	026-47111-001	885318	103
	0323/1143, 0333/1173, 0345/1215	Heat Exchanger Plate B60 X 70 Sys 1 & Sys 2	026-47111-001	885318	



LD18915

**FIGURE 103 - DESUPERHEATERS**

**TABLE 104 - VIBRATION ISOLATORS**

<b>ONE INCH DEFLECTION SPRING ISOLATOR CROSS REFERENCE</b>					
<b>WEIGHT RANGE (LBS)</b>	<b>WEIGHT RANGE (KG.)</b>	<b>VENDOR PART NUMBER</b>	<b>COLOR</b>	<b>PART NUMBER</b>	<b>SAP NUMBER</b>
FOR UNITS WITH <b>ALL</b> POINT LOADS LESS THAN 1404 LBS. (637 KG)					
UP to 435 LBS	UP to 197	CP-1D-510	Black	029 25334 002	433668
435 to 766 LBS	197 to 347	CP-1D-900	Dark Green	029 25334 003	433669
766 to 1021 LBS	347 to 463	CP-1D-1200	Gray	029 25334 004	433670
1021 to 1157 LBS	463 to 525	CP-1D-1360	White	029 25334 005	433871
1157 to ***1785 LBS	525 to 810	CP-1D-1785N	Gray/Red	029 25334 006	433872
FOR UNITS WITH <b>ANY</b> POINT LOADS LESS THAN 1404 LBS. (637 KG)					
UP to 1149 LBS	UP to 521	C2P-1D-1350	Dark Purple	029 25334 008	433997
1149 to 1531 LBS	521 to 694	C2P -1D-1800	Dark Green	029 25334 009	433998
1531 to 2041 LBS	694 to 926	C2P-1D-2400	Gray	029 25334 010	433999
2041 to 2313 LBS	926 to 1049	C2P-1D-2720	White	029 25334 012	434000
2313 to ***3570 LBS	1049 to 1619	C2P-1D-3570N	Gray/Red	029 25334 013	434001

<b>NEOPRENE ISOLATOR CROSS REFERENCE</b>					
<b>**WEIGHT RANGE (LBS)</b>	<b>WEIGHT RANGE (KG.)</b>	<b>VENDOR PART NUMBER</b>	<b>COLOR</b>	<b>PART NUMBER</b>	<b>SAP NUMBER</b>
UP to 826 LBS	UP to 375	RD-3 Charcoal-WR	Charcoal	029 25335 001	434002
826 to 1689 LBS	375 to 766	RD-4 Brick Red-WR	Brick Red	029 25335 002	434004
1689 to ***4000 LBS	766 to 1814	RD-4 Charcoal-WR	Charcoal	029 25335 004	434005

<b>TWO INCH DEFLECTION SEISMIC ISOLATOR CROSS REFERENCE</b>					
<b>WEIGHT RANGE (LBS)</b>	<b>WEIGHT RANGE (KG.)</b>	<b>VENDOR PART NUMBER</b>	<b>COLOR</b>	<b>PART NUMBER</b>	<b>SAP NUMBER</b>
UP to 392 LBS	UP to 178	Y2RSI-2D-460	Green	029 25336 006	688690
392 to 605 LBS	178 to 274	Y2RSI-2D-710	Dark Brown	029 25336 008	688691
605 to 741 LBS	274 to 336	Y2RSI-2D-870	Red	029 25336 009	688692
741 to 1021 LBS	336 to 463	Y2RSI-2D-1200N	Red/Black	029 25336 010	688693
1021 to 1438 LBS	463 to 652	Y2RSI-2D-1690	Pink	029 25336 011	688694
1438 to 2245 LBS	652 to 1018	Y2RSI-2D-2640N	Pink/Gray	029 25336 012	688695
2245 to 2619 LBS	1018 to 1188	Y2RSI-2D-2870N	Pink/Gray/Orange	029 25336 013	688697
2619 to ***3740 LBS	1188 to 1696	Y2RSI-2D-3280N	Pink/Gray/Dark Brown	029 25336 014	688698

**NOTES:** \* Value is de-rated by 15%

\*\*Value is de-rated by 25%

\*\*\*Value is not de-rated

Isolators with 1" deflection (PIN 55=1) must be of the same class for the entire unit. IE. Must use C2P's at all locations on a selected unit, or all CP's.

Reference M-1021 (YVAA Weights and Isolators Standard) for isolators selection program.

**TABLE 105 - AUTOTRANSFORMER**

<b>PIN 17 =</b>	<b>MODEL</b>	<b>PINS 12 &amp; 13</b>	<b>KIT</b>	<b>TRANSFORMER</b>	<b>ENCLOSURE KIT</b>	<b>WIRE KIT</b>
<b>B, D, M, N, O, P, S, OR T</b>	0153, 0543, 0183, 0643, 0213, 0743, 0233, 0843, 0263, 0943, 0273, 0963, 0165, 0565, 0195, 0665, 0215, 0765, 0245, 0865, 0275, 0965, 0178, 0588, 0198, 0688, 0218, 0788, 0248, 0888, 0278, 0988, 0200, 0700	17	371-05673-001	025-39694-001	375-94075-000	375-55899-001
		28	371-05673-002	025-39694-002		
		40	N/A	N/A	N/A	N/A
		42				
		46				
		50				
	0303, 1093, 0323, 1143, 0333, 1173, 0343, 1193, 0295, 1015, 0305, 1065, 0345, 1215, 0308, 1088, 0318, 1188	58	371-05673-008	025-39694-008	392-03568-000	375-55899-007
	0373, 1343, 0413, 1443, 0443, 1543, 0483, 1693, 0523, 1843, 0375, 1315, 0425, 1515, 0475, 1665, 0368, 1288, 0398, 1388, 0428, 1488, 0500, 1700	58	371-05673-011	025-39694-005	392-07117-000	375-55899-009
<b>N</b>	0153, 0543, 0183, 0643, 0213, 0743, 0233, 0843, 0263, 0943, 0273, 0963, 0165, 0565, 0195, 0665, 0215, 0765, 0245, 0865, 0275, 0965, 0178, 0588, 0198, 0688, 0218, 0788, 0248, 0888, 0278, 0988, 0200, 0700	58	371-05673-105	025-39694-005	375-94075-000	375-55899-103
<b>B, D, M, O, P, S, OR T</b>	0153, 0543, 0183, 0643, 0213, 0743, 0233, 0843, 0263, 0943, 0273, 0963, 0165, 0565, 0195, 0665, 0215, 0765, 0245, 0865, 0275, 0965, 0178, 0588, 0198, 0688, 0218, 0788, 0248, 0888, 0278, 0988, 0200, 0700	58	371-05673-005	025-39694-005	375-94075-000	375-55899-003

**NOTE:** PIN 17 = O or T not available when PIN 12 and 13 = 17 or 28.

**TABLE 106 - LANGUAGE KITS**

DESCRIPTION	PART NUMBER	SAP NUMBER
Overlay, Keypad English	024-34930-001	251881
Overlay Keypad French	024-34930-003	694217
Overlay Keypad German	024-34930-004	694218
Overlay Keypad Hungarian	024-34930-007	694220
Overlay Keypad Italian	024-34930-005	694231
Overlay Keypad Polish	024-34930-008	694232
Overlay Keypad Portuguese	024-34930-006	736120
Overlay Keypad Spanish	024-34930-002	694233
Docushare Document	075-34930-000	669189
Operating Instruction, English	035-23219-100	745655
Operating Instruction, French	035-23219-300	694234
Operating Instruction, German	035-23219-200	694235
Operating Instruction, Hungarian	035-23219-350	694236
Operating Instruction, Italian	035-23219-400	694237
Operating Instruction, Polish	035-23219-250	694238
Operating Instruction, Portuguese	035-23219-800	745656
Operating Instruction, Spanish	035-23219-500	694239
Label Kyoto Protocol (English)	035-21888-100	417997

**TABLE 107 - FLOW SWITCH**

PIN 46	QUANTITY	PIN 43 = 1		PIN 43 = 3
		PIN 24 = L OR G	PIN 24 = C	PIN 24 = L, C OR G
S	1 per Chiller	024-26116-100	024-26116-200	024-12144-000
T	2 per Chiller			
U	3 per Chiller			

**TABLE 108 - DIFFERENTIAL PRESSURE SWITCH**

PIN 46	QUANTITY	
D	1 per Chiller	025-30919-000
E	2 per Chiller	
F	3 per Chiller	

**TABLE 110 - E-LINK**

DESCRIPTION	PART NUMBER	SAP NUMBER
E-Link Kit (Pin 21 = E)	392-03712-000	805630
E-Link W/Serial Ports	025-43893-000	703143
E-Link Optiview/Latitude Panel	025-43894-000	703144
E-Link Kit (Pin 21 = L)	392-03712-002	805631
E-Link W/Serial Ports (Lon)	025-44384-000	740489
E-Link Optiview/Latitude Panel	025-43894-000	703144

**TABLE 109 - THERMAL DISPERSION SWITCH**

PIN 46	QUANTITY	
G	1 per Chiller	375-94519-001
H	2 per Chiller	
I	3 per Chiller	

**TABLE 111 - EPROM**

MODEL	DESCRIPTION	PART NUMBER	SAP NUMBER
0153/0543 - 0345/1215	Eprom Control Board	031-02476-301	835931
0368/1288 - 0523/1843	Eprom Control Board	031-02476-331	1116451

**TABLE 112 - LOGIC BOARD KITS**

DESCRIPTION	PART NUMBER	SAP NUMBER
LOGIC BOARD KIT	331-02507-610	865548
Logic Board	031-02507-000	360014
VSD Logic U52 Flash	031-02649-010	743997
VSD Logic U35 EPROM	031-03422-010	947512
EPROM Instructions	035-21738-000	745348
LOGIC BOARD KIT	331-02507-611	865549
Logic Board	031-02507-100	538835
VSD Logic U52 Flash	031-02649-011	743998
VSD Logic U35 EPROM	031-03422-010	947512
EPROM Instructions	035-21738-000	745348
LOGIC BOARD KIT	331-02507-612	865550
Logic Board	031-02507-000	360014
VSD Logic U52 Flash	031-02649-012	743999
VSD Logic U35 EPROM	031-03422-010	947512
EPROM Instructions	035-21738-000	745348
LOGIC BOARD KIT	331-02507-613	1150227
Logic Board	031-02507-003	947328
VSD Logic U52 Flash	031-02649-013	897648
VSD Logic U35 EPROM	031-03422-010	947512
EPROM Instructions	035-21738-000	745348
LOGIC BOARD KIT	331-02507-614	1150228
Logic Board	031-02507-003	947328
VSD Logic U52 Flash	031-02649-014	1031009
VSD Logic U35 EPROM	031-03422-010	947512
EPROM Instructions	035-21738-000	745348
LOGIC BOARD KIT	331-02507-615	1150229
Logic Board	031-02507-003	947328
VSD Logic U52 Flash	031-02649-015	1137177
VSD Logic U35 EPROM	031-03422-010	947512
EPROM Instructions	035-21738-000	745348
LOGIC BOARD KIT	331-02507-616	1150230
Logic Board	031-02507-003	947328
VSD Logic U52 Flash	031-02649-016	1137178
VSD Logic U35 EPROM	031-03422-010	947512
EPROM Instructions	035-21738-000	745348
LOGIC BOARD KIT	331-02507-617	1150341
Logic Board	031-02507-003	947328
VSD Logic U52 Flash	031-02649-017	1137179
VSD Logic U35 EPROM	031-03422-010	947512
EPROM Instructions	035-21738-000	745348

**TABLE 113 - VSD POWER ASSEMBLY**

DESCRIPTION	PART NUMBER	SAP NUMBER
<b>MODEL ENDING IN C</b>		
VSD Power Assy Kit	371-04181-404	865752
VSD Power Assy	371-04181-104	772685
Plug Fla 5/8 Tube Size	023-22713-000	733711
Instra Replacement Power Assy	035-21551-000	865547
Coolant/Glycol	013-03344-000	171119
<b>MODEL ENDING IN D</b>		
VSD Power Assy Kit	371-05679-401	865759
VSD Power Assy	371-05679-101	774330
Plug Fla 5/8 Tube Size	023-22713-000	733711
Instra Replacement Power Assy	035-21551-000	865547
Coolant/Glycol	013-03344-000	171119
<b>MODEL ENDING IN E OR F (SYS 1)</b>		
VSD Power Assy Kit	371-05979-401	1191520
VSD Power Assy	371-05979-101	873244
Plug Fla 5/8 Tube Size	023-22713-000	733711
Instra Replacement Power Assy	035-21551-000	865547
Coolant/Glycol	013-03344-000	171119
<b>MODEL ENDING IN F (SYS 2)</b>		
VSD Power Assy Kit	371-05979-402	1191521
VSD Power Assy	371-05979-102	873245
Plug Fla 5/8 Tube Size	023-22713-000	733711
Instra Replacement Power Assy	035-21551-000	865547
Coolant/Glycol	013-03344-000	171119
<b>MODEL ENDING IN E (SYS 2)</b>		
VSD Power Assy Kit	371-06017-401	1191522
VSD Power Assy	371-06017-101	1137272
Plug Fla 5/8 Tube Size	023-22713-000	733711
Instra Replacement Power Assy	035-21551-000	865547
Coolant/Glycol	013-03344-000	171119
<b>MODEL ENDING IN E (SYS 2)</b>		
VSD Power Assy Kit	371-06017-402	1191523
VSD Power Assy	371-06017-102	1137273
Plug Fla 5/8 Tube Size	023-22713-000	733711
Instra Replacement Power Assy	035-21551-000	865547
Coolant/Glycol	013-03344-000	171119

**TABLE 114 - GLYCOL KITS**

MODEL	QUANTITY GLYCOL COILS	NON-COATED TUBE AND FIN KIT	POST COATED TUBE AND FIN KIT	REQUIRED GLYCOL FLUSHING (GAL)	REQUIRED GLYCOL FOR SYSTEM FILL (GAL)	TOTAL GLYCOL FOR PROCEDURE (GAL)
0153/0543	2	492-25975-001	492-25975-011	1.50	4.25	10
0183/0643	2	492-25975-001	492-25975-011	1.50	4.25	10
0213/0743	2	492-25975-001	492-25975-011	1.50	4.25	10
0233/0843	2	492-25975-001	492-25975-011	1.50	4.25	10
0263/0943	2	492-25975-001	492-25975-011	1.50	4.25	10
0273/0963	2	492-25975-001	492-25975-011	1.50	4.25	10
0303/1093	3	492-25975-002	492-25975-012	1.50	7.25	10
0323/1143	3	492-25975-002	492-25975-012	1.50	7.25	10
0333/1173	3	492-25975-002	492-25975-012	1.50	7.25	10
0343/1193	3	492-25975-002	492-25975-012	1.50	7.25	10
0373/1343	3	492-25975-002	492-25975-012	5.00	7.25	15
0413/1443	4	492-25975-003	492-25975-013	5.00	9.00	15
0443/1543	4	492-25975-003	492-25975-013	5.00	9.00	15
0483/1693	4	492-25975-003	492-25975-013	5.00	9.00	15
0523/1843	4	492-25975-003	492-25975-013	5.00	9.00	15
0165/0565	2	492-25975-001	492-25975-011	1.50	4.25	10
0195/0665	2	492-25975-001	492-25975-011	1.50	4.25	10
0215/0765	2	492-25975-001	492-25975-011	1.50	4.25	10
0245/0865	2	492-25975-001	492-25975-011	1.50	4.25	10
0275/0965	2	492-25975-001	492-25975-011	1.50	4.25	10
0295/1015	3	492-25975-002	492-25975-012	1.50	7.25	10
0305/1065	3	492-25975-002	492-25975-012	1.50	7.25	10
0345/1215	3	492-25975-002	492-25975-012	1.50	7.25	10
0375/1315	3	492-25975-002	492-25975-012	5.00	7.25	15
0425/1515	4	492-25975-003	492-25975-013	5.00	9.00	15
0475/1665	4	492-25975-003	492-25975-013	5.00	9.00	15
0178/0588	2	492-25975-001	492-25975-011	1.50	4.25	10
0198/0688	2	492-25975-001	492-25975-011	1.50	4.25	10
0218/0788	2	492-25975-001	492-25975-011	1.50	4.25	10
0248/0888	2	492-25975-001	492-25975-011	1.50	4.25	10
0278/0988	2	492-25975-001	492-25975-011	1.50	4.25	10
0308/1088	3	492-25975-002	492-25975-012	1.50	7.25	10
0318/1188	3	492-25975-002	492-25975-012	1.50	7.25	10
0368/1288	3	492-25975-002	492-25975-012	5.00	7.25	15
0398/1388	4	492-25975-003	492-25975-013	5.00	9.00	15
0428/1488	4	492-25975-003	492-25975-013	5.00	9.00	15
0200/0700	2	492-25975-001	492-25975-011	1.50	4.25	10
0500/1750	4	492-25975-003	492-25975-013	5.00	9.00	15

**TABLE 115 - TEMPERATURE SENSORS**

DESCRIPTION	PART NUMBER	SAP
Ambient	371-01180-223	771355
Chilled Liquid (1)	025-29964-000	401192
Discharge	025-32924-000	738772
Chilled Liquid (2)	025-40334-000	739796
Oil Temp	025-30440-000	738500
Suction/Liquid	025-28935-000	738242

**TABLE 116 - CONSUMABLES**

DESCRIPTION	LEGACY MATERIAL NUMBER	COMPONENT NUMBER
Refrigerant R-134A (Bulk)	011-00569-000	728994
Oil Compr York Oil "L"	011-00591-000	728997
Sealer Refrigerant Pipe	013-02894-000	588490
Compound, Heat Conductive, 4 Oz	013-00898-000	616572
Ins Therm 1-1/8 Id X 1/2	010-02841-000	616553
Ins Therm 2-1/8 Id X 1/2	010-02842-000	728785

The following factors can be used to convert from English to the most common SI Metric values.

**TABLE 117 - SI METRIC CONVERSION**

MEASUREMENT	MULTIPLY ENGLISH UNIT	BY FACTOR	TO OBTAIN METRIC UNIT
Capacity	Tons Refrigerant Effect (ton)	3.516	Kilowatts (kW)
Power	Horsepower	0.7457	Kilowatts (kW)
Flow Rate	Gallons / Minute (gpm)	0.0631	Liters / Second (l/s)
Length	Feet (ft)	0.3048	Meters (m)
	Inches (in)	25.4	Millimeters (mm)
Weight	Pounds (lbs)	0.4538	Kilograms (kg)
Velocity	Feet / Second (fps)	0.3048	Meters / Second (m/s)
Pressure Drop	Feet of Water (ft)	2.989	Kilopascals (kPa)
	Pounds / Square Inch (psi)	6.895	Kilopascals (kPa)

**TEMPERATURE**

To convert degrees Fahrenheit (°F) to degrees Celsius (°C), subtract 32° and multiply by 5/9 or 0.5556.

Example:  $(45.0^{\circ}\text{F} - 32^{\circ}) \times 0.5556 = 27.2^{\circ}\text{C}$

To convert a temperature range (i.e., a range of 10°F) from Fahrenheit to Celsius, multiply by 5/9 or 0.5556.

Example:  $10.0^{\circ}\text{F range} \times 0.5556 = 5.6^{\circ}\text{C range}$

## NOTES



P.O. Box 1592, York, Pennsylvania USA 17405-1592  
Copyright © by Johnson Controls 2015  
Form 201.28-RP3 (515)  
Issue Date: May 29, 2015  
New Release

800-861-1001  
[www.johnsoncontrols.com](http://www.johnsoncontrols.com)

Subject to change without notice. Printed in USA  
ALL RIGHTS RESERVED